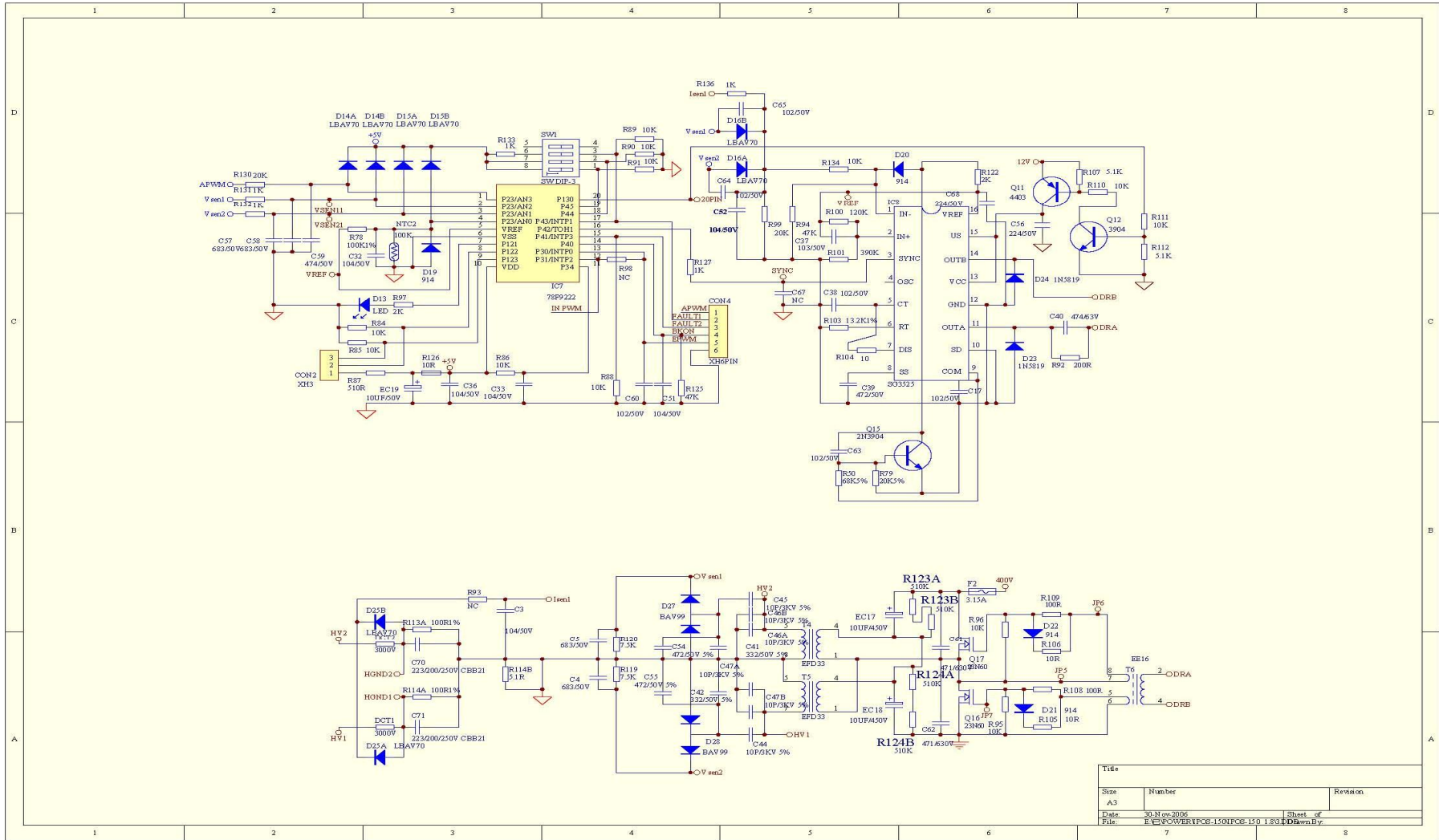


Title		
Size	Number	Revision
A4		
Date:	25-Jan-2007	Sheet of
File:	E:\POWER\IPOS-150\IPOS-150 V1.8\SCHEMATIC	10/10





Title		
Size	Number	Revision
A3		
Date:	30-Nov-2006	Sheet of
File:	PCB-POWER/FPCB-150W/FPCB-150-1-8310.Dwg	Rev. by