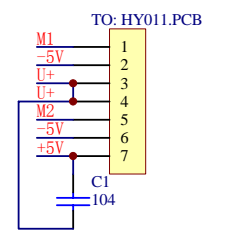
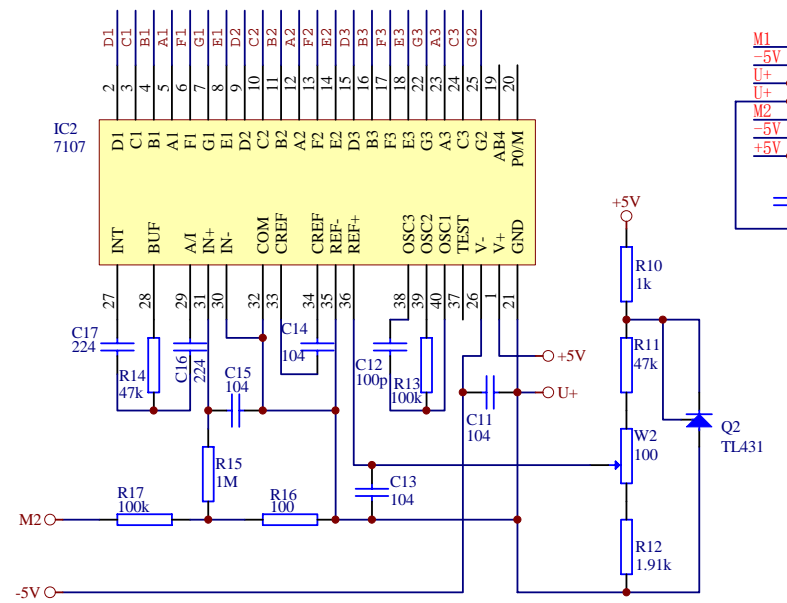
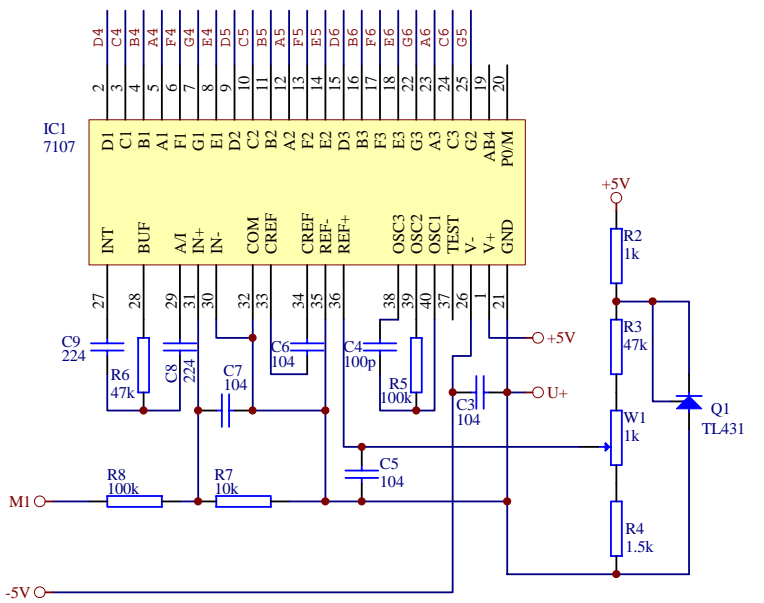
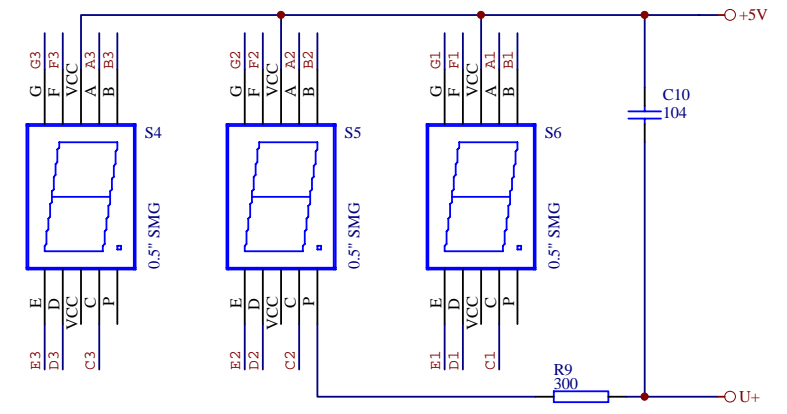
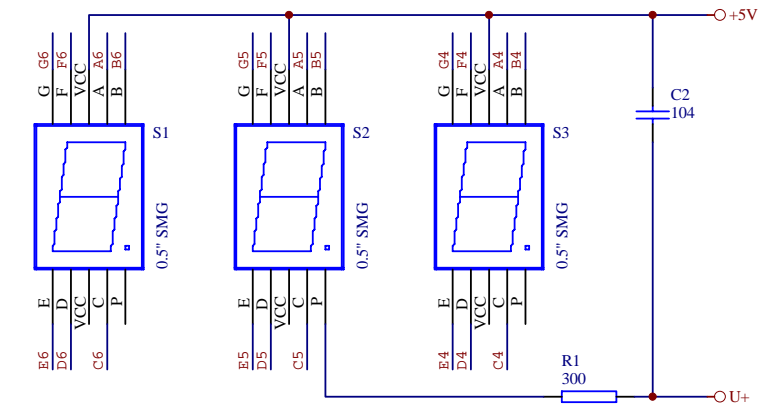


Circuit Diagram for HY3020E (1)  
Only for Reference



**Circuit Diagram for HY3020E (2)**

PCB Number: HY026	<i>Only for Reference</i>
-------------------	---------------------------