

# Specification of the Bluetooth System

Wireless connections made easy

---

## Core



<b>BLUETOOTH DOC</b>	Date / Day-Month-Year 01 Dec 99	N.B.	Document No. <b>1.C.47/1.0 B</b>
Responsible	e-mail address		Status

**Bluetooth**<sup>™</sup>

---

# Specification of the Bluetooth System

Version 1.0 B

## Revision History

The Revision History is shown in [Appendix I](#) on [page 868](#)

## Contributors

The persons who contributed to this specification are listed in [Appendix II](#) on [page 879](#).

## Web Site

This specification can also be found on the Bluetooth website:  
<http://www.bluetooth.com>

## Disclaimer and copyright notice

THIS SPECIFICATION IS PROVIDED "AS IS" WITH NO WARRANTIES WHATSOEVER, INCLUDING ANY WARRANTY OF MERCHANTABILITY, NONINFRINGEMENT, FITNESS FOR ANY PARTICULAR PURPOSE, OR ANY WARRANTY OTHERWISE ARISING OUT OF ANY PROPOSAL, SPECIFICATION OR SAMPLE. All liability, including liability for infringement of any proprietary rights, relating to use of information in this document is disclaimed.

No license, express or implied, by estoppel or otherwise, to any intellectual property rights are granted herein.

Copyright © 1999

Telefonaktiebolaget LM Ericsson,  
International Business Machines Corporation,  
Intel Corporation,  
Nokia Corporation,  
Toshiba Corporation .

\*Third-party brands and names are the property of their respective owners.

**MASTER TABLE OF CONTENTS****For the Bluetooth Profiles, [See Volume 2.](#)****Part A****Volume 1 (1:2)****RADIO SPECIFICATION**

<b>Contents .....</b>	<b>[A] 17</b>
1 Scope .....	[A] 18
2 Frequency Bands and Channel Arrangement.....	[A] 19
3 Transmitter Characteristics .....	[A] 20
4 Receiver Characteristics .....	[A] 24
5 Appendix A.....	[A] 28
6 Appendix B.....	[A] 31

**Part B****Volume 1 (1:2)****BASEBAND SPECIFICATION**

<b>Contents .....</b>	<b>[B] 35</b>
1 General Description .....	[B] 41
2 Physical Channel .....	[B] 43
3 Physical Links .....	[B] 45
4 Packets .....	[B] 47
5 Error Correction.....	[B] 67
6 Logical Channels.....	[B] 77
7 Data Whitening.....	[B] 79
8 Transmit/Receive Routines .....	[B] 81
9 Transmit/Receive Timing.....	[B] 87
10 Channel Control .....	[B] 95
11 Hop Selection.....	[B] 127
12 Bluetooth Audio.....	[B] 139
13 Bluetooth Addressing.....	[B] 143
14 Bluetooth Security .....	[B] 149
15 List of Figures.....	[B] 179
16 List of Tables .....	[B] 183

**Bluetooth****Part C****Volume 1 (1:2)****LINK MANAGER PROTOCOL**

<b>Contents</b> .....	<b>[C] 187</b>
1 General .....	[C] 191
2 Format of LMP .....	[C] 192
3 The Procedure Rules and PDUs.....	[c] 193
4 Connection Establishment .....	[C] 225
5 Summary of PDUs .....	[C] 226
6 Test Modes .....	[C] 237
7 Error Handling.....	[C] 239
8 List of Figures .....	[C] 241
9 List of Tables .....	[C] 243

**Part D****Volume 1 (1:2)****LOGICAL LINK CONTROL AND ADAPTATION PROTOCOL SPECIFICATION**

<b>Contents</b> .....	<b>[D] 247</b>
1 Introduction .....	[D] 249
2 General Operation .....	[D] 253
3 State Machine .....	[D] 258
4 Data Packet Format.....	[D] 272
5 Signalling .....	[D] 275
6 Configuration Parameter Options .....	[D] 289
7 Service Primitives .....	[D] 295
8 Summary.....	[D] 313
9 References .....	[D] 314
10 List of Figures .....	[D] 315
11 List of Tables.....	[D] 316
Terms and Abbreviations .....	[D] 317
Appendix A: Configuration MSCs .....	[D] 318
Appendix B: Implementation Guidelines .....	[D] 321

**Bluetooth.****Part E****Volume 1 (1:2)****SERVICE DISCOVERY PROTOCOL (SDP)**

<b>Contents</b> .....	<b>[E] 325</b>
1 Introduction .....	[E] 327
2 Overview .....	[E] 330
3 Data Representation .....	[E] 341
4 Protocol Description .....	[E] 344
5 Service Attribute Definitions .....	[E] 358
Appendix A– Background Information .....	[E] 370
Appendix B – Example SDP Transactions .....	[E] 371

**Part F:1****Volume 1 (1:2)****RFCOMM WITH TS 07.10**

<b>Contents</b> .....	<b>[F:1] 387</b>
1 Introduction .....	[F:1] 389
2 RFCOMM Service Overview .....	[F:1] 391
3 Service Interface Description .....	[F:1] 395
4 TS 07.10 Subset Supported by RFCOMM .....	[F:1] 396
5 TS 07.10 Adaptations for RFCOMM .....	[F:1] 398
6 Flow Control .....	[F:1] 403
7 Interaction with Other Entities .....	[F:1] 405
8 References .....	[F:1] 408
9 Terms and Abbreviations .....	[F:1] 409

**Part F:2****Volume 1 (1:2)****IrDA INTEROPERABILITY**

<b>Contents</b> .....	<b>[F:2] 413</b>
1 Introduction .....	[F:2] 414
2 OBEX Object and Protocol .....	[F:2] 417
3 OBEX over RFCOMM .....	[F:2] 421
4 OBEX over TCP/IP .....	[F:2] 423
5 Bluetooth Application Profiles using OBEX .....	[F:2] 425
6 References .....	[F:2] 427
7 List of Acronyms and Abbreviations .....	[F:2] 428

**Bluetooth.**

**Part F:3**

**Volume 1 (1:2)**

**TELEPHONY CONTROL PROTOCOL SPECIFICATION**

**Contents ..... [F:3] 431**

- 1 General Description .....[F:3] 435
- 2 Call Control (CC).....[F:3] 439
- 3 Group Management (GM).....[F:3] 449
- 4 Connectionless TCS (CL) .....[F:3] 455
- 5 Supplementary Services (SS).....[F:3] 456
- 6 Message formats .....[F:3] 459
- 7 Message coding.....[F:3] 471
- 8 Message Error handling.....[F:3] 487
- 9 Protocol Parameters .....[F:3] 489
- 10 References .....[F:3] 490
- 11 List of Figures .....[F:3] 491
- 12 List of Tables .....[F:3] 492
- Appendix 1 - TCS Call States .....[F:3] 493

**Part F:4**

**Volume 1 (1:2)**

**INTEROPERABILITY REQUIREMENTS FOR BLUETOOTH AS A WAP BEARER**

**Contents ..... [F:4] 497**

- 1 Introduction .....[F:4] 499
- 2 The Use of WAP In the Bluetooth Environment.....[F:4] 500
- 3 WAP Services Overview .....[F:4] 502
- 4 WAP in the Bluetooth Piconet.....[F:4] 506
- 5 Interoperability Requirements..... [F:4] 511
- 6 Service Discovery .....[F:4] 512
- 7 References .....[F:4] 515



**Bluetooth****Part H:1****Volume 1 (2:2)****HOST CONTROLLER INTERFACE FUNCTIONAL SPECIFICATION**

<b>Contents .....</b>	<b>[H:1] 519</b>
1 Introduction .....	[H:1] 524
2 Overview of Host Controller Transport Layer .....	[H:1] 528
3 HCI Flow Control .....	[H:1] 529
4 HCI Commands .....	[H:1] 531
5 Events .....	[H:1] 703
6 List of Error Codes .....	[H:1] 745
7 List of Acronyms and Abbreviations .....	[H:1] 755
8 List of Figures .....	[H:1] 756
9 List of Tables .....	[H:1] 757

**Part H:2****Volume 1 (2:2)****HCI USB TRANSPORT LAYER**

<b>Contents .....</b>	<b>[H:2] 761</b>
1 Overview .....	[H:2] 762
2 USB Endpoint Expectations .....	[H:2] 764
3 Class Code .....	[H:2] 771
4 Device Firmware Upgrade .....	[H:2] 772
5 Limitations .....	[H:2] 773

**Part H:3****Volume 1 (2:2)****HCI RS232 TRANSPORT LAYER**

<b>Contents .....</b>	<b>[H:3] 777</b>
1 General .....	[H:3] 778
2 Overview .....	[H:3] 779
3 Negotiation Protocol .....	[H:3] 780
4 Packet Transfer Protocol .....	[H:3] 784
5 Using delimiters with COBS for synchronization .....	[H:3] 785
6 Using RTS/CTS for Synchronization .....	[H:3] 788
7 References .....	[H:3] 794

**Bluetooth.**

**Part H:4**

**Volume 1 (2:2)**

**HCI UART TRANSPORT LAYER**

**Contents** .....[H:4] 797

- 1 General ..... [H:4] 798
- 2 Protocol..... [H:4] 799
- 3 RS232 Settings ..... [H:4] 800
- 4 Error Recovery..... [H:4] 801

**Part I:1**

**Volume 1 (2:2)**

**BLUETOOTH TEST MODE**

**Contents** ..... [I:1] 805

- 1 General Description ..... [I:1] 806
- 2 Test Scenarios ..... [I:1] 808
- 3 Outline of Proposed LMP Messages ..... [I:1] 817
- 4 References ..... [I:1] 819

**Part I:2**

**Volume 1 (2:2)**

**BLUETOOTH COMPLIANCE REQUIREMENTS**

**Contents** ..... [I:2] 823

- 1 Scope.....[I:2] 825
- 2 Terms Used.....[I:2] 826
- 3 Legal Aspects .....[I:2] 828
- 4 The Value of the Bluetooth Brand ..... [I:2] 829
- 5 The Bluetooth Qualification Program ..... [I:2] 830
- 6 Bluetooth License Requirements for Products.....[I:2] 832
- 7 Bluetooth License Provisions for Early Products ..... [I:2] 836
- 8 Bluetooth Brand License Provisions for Special Products & Marketing..... [I:2] 837
- 9 Recommendations Concerning Information about a Product’s Bluetooth Capabilities ..... [I:2] 838
- 10 Quality Management, Configuration Management and Version Control ..... [I:2] 839
- 11 Appendix A – Example of a “Bluetooth Capability Statement” ..... [I:2] 840
- 12 Appendix B - Marketing Names of Bluetooth Profiles . [I:2] 841

**Bluetooth.**

---

**Part I:3** **Volume 1 (2:2)**

---

**TEST CONTROL INTERFACE**

**Contents** ..... [I:3] 845

- 1 Introduction ..... [I:3] 847
- 2 General Description ..... [I:3] 849
- 3 Test Configurations ..... [I:3] 854
- 4 TCI-L2CAP Specification ..... [I:3] 856
- 5 Abbreviations ..... [I:3] 866

---

**Part K** **Profiles - see Volume 2**

---



---

**Appendix I** **Volume 1 (2:2)**

---

**REVISION HISTORY** ..... [ @: I ] 868

---

**Appendix II** **Volume 1 (2:2)**

---

**CONTRIBUTORS** ..... [ @: II ] 881

---

**Appendix III** **Volume 1 (2:2)**

---

**ACRONYMS AND ABBREVIATIONS** ..... [ @: III ] 891

---

**Appendix IV** **Volume 1 (2:2)**

---

**SAMPLE DATA**

**Contents** ..... [ @: IV ] 901

- 1 Encryption Sample Data ..... [ @: IV ] 902
- 2 Frequency Hopping Sample Data—Mandatory Scheme ..... [ @: IV ] 937
- 3 Access Code Sample Data ..... [ @: IV ] 950
- 4 HEC and Packet Header Sample Data ..... [ @: IV ] 953
- 5 CRC Sample Data ..... [ @: IV ] 954
- 6 Complete Sample Packets ..... [ @: IV ] 955
- 7 Whitening Sequence Sample Data ..... [ @: IV ] 957
- 8 FEC Sample Data ..... [ @: IV ] 960
- 9 Encryption Key Sample Data ..... [ @: IV ] 961

---

**Bluetooth.**

---

**Appendix V**

**Volume 1 (2:2)**

---

**BLUETOOTH AUDIO**

**Contents** ..... [:@:V] 987

1 General Audio Recommendations ..... [:@:V] 989

---

**Appendix VI**

**Volume 1 (2:2)**

---

**BASEBAND TIMERS**

**Contents** ..... [:@:VI] 995

1 Baseband Timers ..... [:@:VI] 996

---

**Appendix VII**

**Volume 1 (2:2)**

---

**OPTIONAL PAGING SCHEMES**

**Contents** ..... [:@:VII] 1001

1 General ..... [:@:VII] 1003

2 Optional Paging Scheme I ..... [:@:VII] 1004

---

**Appendix VIII**

**Volume 1 (2:2)**

---

**BLUETOOTH ASSIGNED NUMBERS**

**Contents** ..... [:@:VIII] 1011

1 Bluetooth Baseband ..... [:@:VIII] 1012

2 Link Manager Protocol (LMP) ..... [:@:VIII] 1018

3 Logical Link Control and Adaptation Protocol ..... [:@:VIII] 1019

4 Service Discovery Protocol (SDP) ..... [:@:VIII] 1020

5 References ..... [:@:VIII] 1028

6 Terms and Abbreviations ..... [:@:VIII] 1029

7 List of Figures ..... [:@:VIII] 1030

8 List of Tables ..... [:@:VIII] 1031

**Bluetooth****Appendix IX****Volume 1 (2:2)****MESSAGE SEQUENCE CHARTS**

<b>Contents .....</b>	<b>[@:IX] 1035</b>
1 Introduction .....	[@:IX] 1037
2 Services Without Connection Request.....	[@:IX] 1038
3 ACL Connection Establishment and Detachment .	[@:IX] 1042
4 Optional Activities After ACL Connection Establishment.....	[@:IX] 1050
5 SCO Connection Establishment and Detachment	[@:IX] 1059
6 Special Modes: Sniff, Hold, Park.....	[@:IX] 1062
7 Buffer Management, Flow Control .....	[@:IX] 1068
8 Loopback Mode.....	[@:IX] 1070
9 List of Acronyms and Abbreviations.....	[@:IX] 1073
10 List of Figures.....	[@:IX] 1074
11 List of Tables .....	[@:IX] 1075
12 References.....	[@:IX] 1076

**Alphabetical Index****1077**

---

**Bluetooth.**

Part A

**RADIO SPECIFICATION**







**CONTENTS**

<b>1</b>	<b>Scope .....</b>	<b>18</b>
<b>2</b>	<b>Frequency Bands and Channel Arrangement .....</b>	<b>19</b>
<b>3</b>	<b>Transmitter Characteristics.....</b>	<b>20</b>
3.1	Modulation Characteristics.....	21
3.2	Spurious Emissions.....	21
3.2.1	In-band Spurious Emission .....	22
3.2.2	Out-of-Band Spurious Emission.....	22
3.3	Radio Frequency Tolerance .....	23
<b>4</b>	<b>Receiver Characteristics .....</b>	<b>24</b>
4.1	Actual Sensitivity Level .....	24
4.2	Interference Performance .....	24
4.3	Out-of-band Blocking .....	25
4.4	Intermodulation Characteristics.....	25
4.5	Maximum Usable Level.....	26
4.6	Spurious Emissions.....	26
4.7	Receiver Signal Strength Indicator (optional).....	26
4.8	Reference Interference-signal Definition.....	27
<b>5</b>	<b>Appendix A .....</b>	<b>28</b>
<b>6</b>	<b>Appendix B .....</b>	<b>31</b>

# 1 SCOPE

The Bluetooth transceiver is operating in the 2.4 GHz ISM band. This specification defines the requirements for a Bluetooth transceiver operating in this unlicensed band.

Requirements are defined for two reasons:

- Provide compatibility between the radios used in the system
- Define the quality of the system

The Bluetooth transceiver shall fulfil the stated requirements under the operating conditions specified in [Appendix A](#) and [Appendix B](#). The Radio parameters must be measured according to the methods described in the RF Test Specification.

This specification is based on the established regulations for Europe, Japan and North America. The standard documents listed below are only for information, and are subject to change or revision at any time.

## Europe (except France and Spain):

Approval Standards: European Telecommunications Standards Institute, ETSI

Documents: ETS 300-328, ETS 300-826

Approval Authority: National Type Approval Authorities

## France:

Approval Standards: La Reglementation en France por les Equipements fonctionnant dans la bande de frequences 2.4 GHz "RLAN-Radio Local Area Network"

Documents: SP/DGPT/ATAS/23, ETS 300-328, ETS 300-826

Approval Authority: Direction Generale des Postes et Telecommunications

**Note:** A new R&TTE EU Directive will be in effect by March 2000, with consequent effects on the manufacturer's declaration of conformity and free circulation of products within the EU.

## Spain:

Approval Standards: Suplemento Del Numero 164 Del Boletin Oficial Del Estado (Published 10 July 91, Revised 25 June 93)

Documents: ETS 300-328, ETS 300-826

Approval Authority: Cuadro Nacional De Atribucion De Frecuencias

## Japan:

Approval Standards: Association of Radio Industries and Businesses, ARIB

Documents: RCR STD-33A

Approval Authority: Ministry of Post and Telecommunications, MPT

Note: The Japanese rules are in revision. Decisions on the revision will take place in Q2 1999.

## North Americas:

Approval Standards: Federal Communications Commission, FCC, USA

Documents: CFR47, Part 15, Sections 15.205, 15.209, 15.247

Approval Standards: Industry Canada, IC, Canada

Documents: GL36

Approval Authority: FCC (USA), Industry Canada (Canada)

## 2 FREQUENCY BANDS AND CHANNEL ARRANGEMENT

The Bluetooth system is operating in the 2.4 GHz ISM (Industrial Scientific Medicine) band. In a vast majority of countries around the world the range of this frequency band is 2400 - 2483.5 MHz. Some countries have however national limitations in the frequency range. In order to comply with these national limitations, special frequency hopping algorithms have been specified for these countries. It should be noted that products implementing the reduced frequency band will not work with products implementing the full band. The products implementing the reduced frequency band must therefore be considered as local versions for a single market. The Bluetooth SIG has launched a campaign to overcome these difficulties and reach total harmonization of the frequency band.

Geography	Regulatory Range	RF Channels
USA, Europe and most other countries <sup>1)</sup>	2.400-2.4835 GHz	$f=2402+k$ MHz, $k=0,\dots,78$
Spain <sup>2)</sup>	2.445-2.475 GHz	$f=2449+k$ MHz, $k=0,\dots,22$
France <sup>3)</sup>	2.4465-2.4835 GHz	$f=2454+k$ MHz, $k=0,\dots,22$

Table 2.1: Operating frequency bands

- Note 1. Japan, the MPT announced at the beginning of October 1999 that the Japanese frequency band would be extended to 2400-2483.5 MHz, effective immediately. Testing of devices by TELEC may however need some time to change. The previously specified special frequency-hopping algorithm covering 2471-2497 MHz remains as an option.
- Note 2. There is a proposal in Spain to extend the national frequency band to 2403-2483.5 MHz. The Bluetooth SIG has approached the authorities in Spain to get a full harmonization. The outcome is expected by the beginning of year 2000.
- Note 3. The Bluetooth SIG has established good contacts with the French authorities and are closely following the development of harmonization.

Channel spacing is 1 MHz. In order to comply with out-of-band regulations in each country, a guard band is used at the lower and upper band edge.

Geography	Lower Guard Band	Upper Guard Band
USA	2 MHz	3.5 MHz
Europe (except Spain and France)	2 MHz	3.5 MHz
Spain	4 MHz	26 MHz
France	7.5 MHz	7.5 MHz
Japan	2 MHz	2 MHz

Table 2.2: Guard Bands

### 3 TRANSMITTER CHARACTERISTICS

The requirements stated in this section are given as power levels at the antenna connector of the equipment. If the equipment does not have a connector, a reference antenna with 0 dBi gain is assumed.

Due to difficulty in measurement accuracy in radiated measurements, it is preferred that systems with an integral antenna provide a temporary antenna connector during type approval.

If transmitting antennas of directional gain greater than 0 dBi are used, the applicable paragraphs in ETSI 300 328 and FCC part 15 must be compensated for.

The equipment is classified into three power classes.

Power Class	Maximum Output Power (Pmax)	Nominal Output Power	Minimum Output Power <sup>1)</sup>	Power Control
1	100 mW (20 dBm)	N/A	1 mW (0 dBm)	Pmin<+4 dBm to Pmax Optional: Pmin <sup>2)</sup> to Pmax
2	2.5 mW (4 dBm)	1 mW (0 dBm)	0.25 mW (-6 dBm)	Optional: Pmin <sup>2)</sup> to Pmax
3	1 mW (0 dBm)	N/A	N/A	Optional: Pmin <sup>2)</sup> to Pmax

Table 3.1: Power classes

Note 1. Minimum output power at maximum power setting.

Note 2. The lower power limit Pmin<-30dBm is suggested but is not mandatory, and may be chosen according to application needs.

A power control is required for power class 1 equipment. The power control is used for limiting the transmitted power over 0 dBm. Power control capability under 0 dBm is optional and could be used for optimizing the power consumption and overall interference level. The power steps shall form a monotonic sequence, with a maximum step size of 8 dB and a minimum step size of 2 dB. A class 1 equipment with a maximum transmit power of +20 must be able to control its transmit power down to 4 dBm or less.

Equipment with power control capability optimizes the output power in a link with LMP commands (see [Link Manager Protocol](#)). It is done by measuring RSSI and report back if the power should be increased or decreased.

### 3.1 MODULATION CHARACTERISTICS

The Modulation is GFSK (Gaussian Frequency Shift Keying) with a  $BT=0.5$ . The Modulation index must be between 0.28 and 0.35. A binary one is represented by a positive frequency deviation, and a binary zero is represented by a negative frequency deviation. The symbol timing shall be better than  $\pm 20$  ppm.

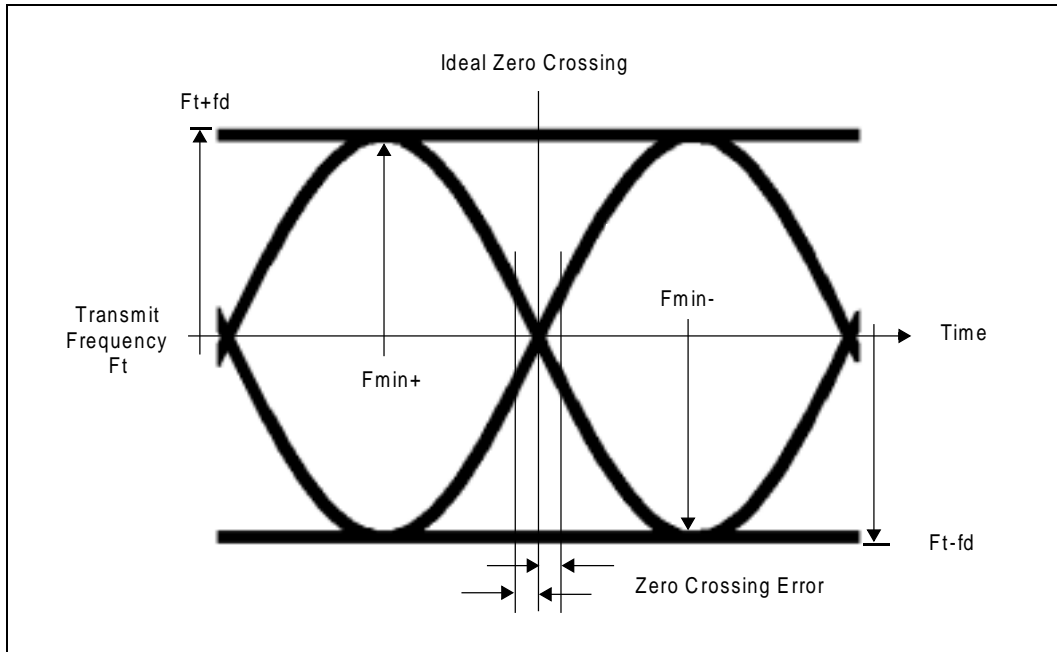


Figure 3.1: Figure 3-1 Actual transmit modulation.

For each transmit channel, the minimum frequency deviation ( $F_{min}$  = the lesser of  $\{F_{min+}, F_{min-}\}$ ) which corresponds to 1010 sequence shall be no smaller than  $\pm 80\%$  of the frequency deviation ( $f_d$ ) which corresponds to a 00001111 sequence.

In addition, the minimum deviation shall never be smaller than 115 kHz.

The zero crossing error is the time difference between the ideal symbol period and the measured crossing time. This shall be less than  $\pm 1/8$  of a symbol period.

### 3.2 SPURIOUS EMISSIONS

The spurious emission, in-band and out-of-band, is measured with a frequency hopping transmitter hopping on a single frequency; this means that the synthesizer must change frequency between receive slot and transmit slot, but always returns to the same transmit frequency.

For the USA, FCC parts 15.247, 15.249, 15.205 and 15.209 are applicable regulations. For Japan, RCR STD-33 applies and, for Europe, ETSI 300 328.

### 3.2.1 In-band Spurious Emission

Within the ISM band the transmitter shall pass a spectrum mask, given in Table 3.2. The spectrum must comply with the FCC's 20-dB bandwidth definition stated below, and should be measured accordingly. In addition to the FCC requirement an adjacent channel power on adjacent channels with a difference in channel number of two or greater an adjacent channel power is defined. This adjacent channel power is defined as the sum of the measured power in a 1 MHz channel. The transmitted power shall be measured in a 100 kHz bandwidth using maximum hold. The transmitter is transmitting on channel M and the adjacent channel power is measured on channel number N. The transmitter is sending a pseudo random data pattern throughout the test.

Frequency offset	Transmit Power
$\pm 550$ kHz	-20 dBc
$ M-N  = 2$	-20 dBm
$ M-N  \geq 3$	-40 dBm

Table 3.2: Transmit Spectrum mask.

**Note:** If the output power is less than 0dBm then, wherever appropriate, the FCC's 20 dB relative requirement overrules the absolute adjacent channel power requirement stated in the above table.

"In any 100 kHz bandwidth outside the frequency band in which the spread spectrum intentional radiator is operating, the radio frequency power that is produced by the intentional radiator shall be at least 20 dB below that in the 100 kHz bandwidth within the band that contains the highest level of the desired power, based on either an RF conducted or a radiated measurement. Attenuation below the general limits specified in § 15.209(a) is not required. In addition, radiated emissions which fall in the restricted bands, as defined in § 15.205(a), must also comply with the radiated emission limits specified in § 15.209(a) (see § 15.205(c))."

FCC Part 15.247c

Exceptions are allowed in up to three bands of 1 MHz width centered on a frequency which is an integer multiple of 1 MHz. They must, however, comply with an absolute value of -20 dBm.

### 3.2.2 Out-of-Band Spurious Emission

The measured power should be measured in a 100 kHz bandwidth.

Frequency Band	Operation mode	Idle mode
30 MHz - 1 GHz	-36 dBm	-57 dBm
1 GHz – 12.75 GHz	-30 dBm	-47 dBm
1.8 GHz – 1.9 GHz	-47 dBm	-47 dBm
5.15 GHz – 5.3 GHz	-47 dBm	-47 dBm

Table 3.3: Out-of-band spurious emission requirement

### 3.3 RADIO FREQUENCY TOLERANCE

The transmitted initial center frequency accuracy must be  $\pm 75$  kHz from  $F_c$ . The initial frequency accuracy is defined as being the frequency accuracy before any information is transmitted. Note that the frequency drift requirement is not included in the  $\pm 75$  kHz.

The transmitter center frequency drift in a packet is specified in [Table 3.4](#). The different packets are defined in the Baseband Specification.

Type of Packet	Frequency Drift
One-slot packet	$\pm 25$ kHz
Three-slot packet	$\pm 40$ kHz
Five-slot packet	$\pm 40$ kHz
Maximum drift rate <sup>1)</sup>	400 Hz/ $\mu$ s

Table 3.4: Frequency drift in a package

Note 1. The maximum drift rate is allowed anywhere in a packet.

## 4 RECEIVER CHARACTERISTICS

In order to measure the bit error rate performance; the equipment must have a “loop back” facility. The equipment sends back the decoded information. This facility is specified in the [Test Mode Specification](#).

The reference sensitivity level referred to in this chapter equals -70 dBm.

### 4.1 ACTUAL SENSITIVITY LEVEL

The actual sensitivity level is defined as the input level for which a raw bit error rate (BER) of 0.1% is met. The requirement for a Bluetooth receiver is an actual sensitivity level of -70 dBm or better. The receiver must achieve the -70 dBm sensitivity level with any Bluetooth transmitter compliant to the transmitter specification specified in [Section 3 on page 20](#).

### 4.2 INTERFERENCE PERFORMANCE

The interference performance on Co-channel and adjacent 1 MHz and 2 MHz are measured with the wanted signal 10 dB over the reference sensitivity level. On all other frequencies the wanted signal shall be 3 dB over the reference sensitivity level. Should the frequency of an interfering signal lie outside of the band 2400-2497 MHz, the out-of-band blocking specification (see [Section 4.3 on page 25](#)) shall apply. The interfering signal shall be Bluetooth-modulated (see [section 4.8 on page 27](#)). The BER shall be  $\leq 0.1\%$ . The signal to interference ratio shall be:

Requirement	Ratio
Co-Channel interference, $C/I_{\text{co-channel}}$	11 dB <sup>1)</sup>
Adjacent (1 MHz) interference, $C/I_{1\text{MHz}}$	0 dB <sup>1)</sup>
Adjacent (2 MHz) interference, $C/I_{2\text{MHz}}$	-30 dB
Adjacent ( $\geq 3$ MHz) interference, $C/I_{\geq 3\text{MHz}}$	-40 dB
Image frequency Interference <sup>2) 3)</sup> , $C/I_{\text{image}}$	-9 dB <sup>1)</sup>
Adjacent (1 MHz) interference to in-band image frequency, $C/I_{\text{image}\pm 1\text{MHz}}$	-20 dB <sup>1)</sup>

Table 4.1: Interference performance

Note 1. These specifications are tentative and will be fixed within 18 months after the release of the Bluetooth specification version 1.0. Implementations have to fulfil the final specification after a 3-years' convergence period starting at the release of the Bluetooth specification version 1.0. During the convergence period, devices need to achieve a co-channel interference resistance of +14 dB, an ACI (@1MHz) resistance of +4 dB, Image frequency interference resistance of -6 dB and an ACI to in-band image frequency resistance of -16 dB.

Note 2. In-band image frequency

Note 3. If the image frequency  $\neq n \cdot 1$  MHz, than the image reference frequency is defined as the closest  $n \cdot 1$  MHz frequency.

Note 4. If two adjacent channel specifications from Table 4.1 are applicable to the same channel, the more relaxed specification applies.



These specifications are only to be tested at nominal temperature conditions with a receiver hopping on one frequency, meaning that the synthesizer must change frequency between receive slot and transmit slot, but always return to the same receive frequency.

Frequencies where the requirements are not met are called spurious response frequencies. Five spurious response frequencies are allowed at frequencies with a distance of  $\geq 2$  MHz from the wanted signal. On these spurious response frequencies a relaxed interference requirement  $C/I = -17$  dB shall be met.

### 4.3 OUT-OF-BAND BLOCKING

The Out of band blocking is measured with the wanted signal 3 dB over the reference sensitivity level. The interfering signal shall be a continuous wave signal. The BER shall be  $\leq 0.1\%$ . The Out of band blocking shall fulfil the following requirements:

Interfering Signal Frequency	Interfering Signal Power Level
30 MHz - 2000 MHz	-10 dBm
2000 - 2399 MHz	-27 dBm
2498 – 3000 MHz	-27 dBm
3000 MHz – 12.75 GHz	-10 dBm

Table 4.2: Out of Band blocking requirements

24 exceptions are permitted which are dependent upon the given receive channel frequency and are centered at a frequency which is an integer multiple of 1 MHz. At 19 of these spurious response frequencies a relaxed power level -50 dBm of the interferer may be used to achieve a BER of 0.1%. At the remaining 5 spurious response frequencies the power level is arbitrary.

### 4.4 INTERMODULATION CHARACTERISTICS

The reference sensitivity performance, BER = 0.1%, shall be met under the following conditions.

- The wanted signal at frequency  $f_0$  with a power level 6 dB over the reference sensitivity level.
- A static sine wave signal at  $f_1$  with a power level of  $-39$  dBm
- A Bluetooth modulated signal (see [Section 4.8 on page 27](#)) at  $f_2$  with a power level of  $-39$  dBm

Such that  $f_0 = 2f_1 - f_2$  and  $|f_2 - f_1| = n \cdot 1$  MHz, where  $n$  can be 3, 4, or 5. The system must fulfil one of the three alternatives.

### 4.5 MAXIMUM USABLE LEVEL

The maximum usable input level the receiver shall operate at shall be better than – 20 dBm. The BER shall be less or equal to 0,1% at –20\* dBm input power.

### 4.6 SPURIOUS EMISSIONS

The spurious emission for a Bluetooth receiver shall not be more than:

Frequency Band	Requirement
30 MHz - 1 GHz	-57 dBm
1 GHz – 12.75 GHz	-47 dBm

Table 4.3: Out-of-band spurious emission

The measured power should be measured in a 100 kHz bandwidth.

### 4.7 RECEIVER SIGNAL STRENGTH INDICATOR (OPTIONAL)

A transceiver that wishes to take part in a power-controlled link must be able to measure its own receiver signal strength and determine if the transmitter on the other side of the link should increase or decrease its output power level. A Receiver Signal Strength Indicator (RSSI) makes this possible.

The way the power control is specified is to have a golden receive power. This golden receive power is defined as a range with a low limit and a high limit. The RSSI must have a minimum dynamic range equal to this range. The RSSI must have an absolute accuracy of  $\pm 4$ dB or better when the receive signal power is –60 dBm. In addition, a minimum range of  $20\pm 6$  dB must be covered, starting from –60 dB and up (see [Figure 4.1 on page 26](#)).

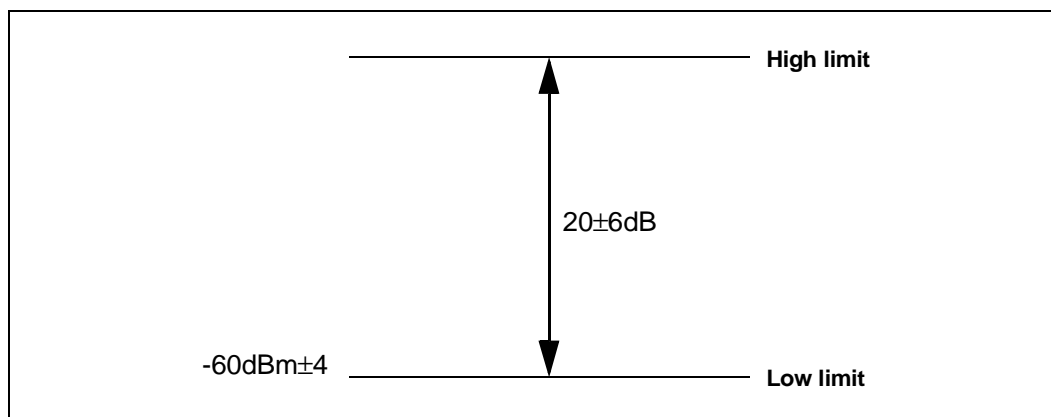


Figure 4.1: RSSI dynamic range and accuracy

## 4.8 REFERENCE INTERFERENCE-SIGNAL DEFINITION

A Bluetooth modulated interfering signal is defined as:

Modulation = GFSK

Modulation index =  $0.32 \pm 1\%$

BT =  $0.5 \pm 1\%$

Bit Rate = 1 Mbps  $\pm 1$  ppm

Modulating Data = PRBS9

Frequency accuracy better than  $\pm 1$  ppm.

## 5 APPENDIX A

---

### 5.1 NOMINAL TEST CONDITIONS (NTC)

#### 5.1.1 Nominal temperature

The nominal temperature conditions for tests shall be +15 to +35 °C. When it is impractical to carry out the test under this condition a note to this effect, stating the ambient temperature, shall be recorded. The actual value during the test shall be recorded in the test report.

#### 5.1.2 Nominal Power source

##### 5.1.2.1 Mains Voltage

The nominal test voltage for equipment to be connected to the mains shall be the nominal mains voltage. The nominal voltage shall be declared voltage or any of the declared voltages for which the equipment was designed. The frequency of the test power source corresponding to the AC mains shall be within 2% of the nominal frequency.

##### 5.1.2.2 Lead-acid battery power sources used in vehicles

When radio equipment is intended for operation from the alternator-fed lead-acid battery power sources which are standard in vehicles, then the nominal test voltage shall be 1.1 times the nominal voltage of the battery (6V, 12V, etc.).

##### 5.1.2.3 Other power sources

For operation from other power sources or types of battery (primary or secondary), the nominal test voltage shall be as declared by the equipment manufacturer. This shall be recorded in the test report.

## 5.2 EXTREME TEST CONDITIONS

### 5.2.1 Extreme temperatures

The extreme temperature range is defined as the largest temperature range given by the combination of:

- The minimum temperature range 0 °C to +35 °C
- The product operating temperature range declared by the manufacturer.

This extreme temperature range and the declared operating temperature range shall be recorded in the test report.

### 5.2.2 Extreme power source voltages

Tests at extreme power source voltages specified below are not required when the equipment under test is designed for operation as part of and powered by another system or piece of equipment. Where this is the case, the limit values of the host system or host equipment shall apply. The appropriate limit values shall be declared by the manufacturer and recorded in the test report.

#### 5.2.2.1 Mains voltage

The extreme test voltage for equipment to be connected to an AC mains source shall be the nominal mains voltage  $\pm 10\%$ .

#### 5.2.2.2 Lead-acid battery power source used on vehicles

When radio equipment is intended for operation from the alternator-fed lead-acid battery power sources which are standard in vehicles, then extreme test voltage shall be 1.3 and 0.9 times the nominal voltage of the battery (6V, 12V etc.)

#### 5.2.2.3 Power sources using other types of batteries

The lower extreme test voltage for equipment with power sources using the following types of battery, shall be

- a) for Leclanché, alkaline, or lithium type battery: 0.85 times the nominal voltage of the battery
- b) for the mercury or nickel-cadmium types of battery: 0.9 times the nominal voltage of the battery.

In both cases, the upper extreme test voltage shall be 1.15 times the nominal voltage of the battery.

#### 5.2.2.4 Other power sources

For equipment using other power sources, or capable of being operated from a variety of power sources (primary or secondary), the extreme test voltages shall be those declared by the manufacturer. These shall be recorded in the test report.

## 6 APPENDIX B

The Radio parameters shall be tested in the following conditions

Parameter	Temperature	Power source
Output Power	ETC	ETC
Power control	NTC	NTC
Modulation index	ETC	ETC
Initial Carrier Frequency accuracy	ETC	ETC
Carrier Frequency drift	ETC	ETC
In-band spurious emissions	ETC	ETC
Out-of-band Spurious Emissions	ETC	ETC
Sensitivity	ETC	ETC
Interference Performance	NTC	NTC
Intermodulation Characteristics	NTC	NTC
Out-of-band blocking	NTC	NTC
Maximum Usable Level	NTC	NTC
Receiver Signal Strength Indicator	NTC	NTC

ETC = Extreme Test Conditions

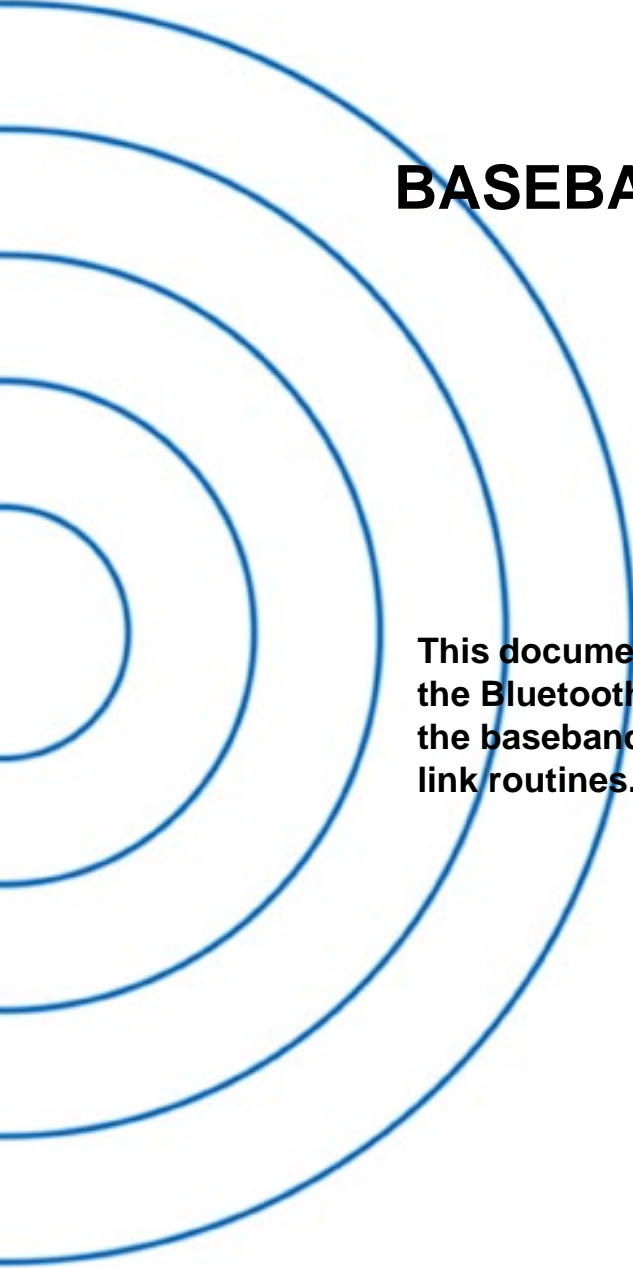
NTC = Nominal Test Conditions





## Part B

# BASEBAND SPECIFICATION



**This document describes the specifications of the Bluetooth link controller which carries out the baseband protocols and other low-level link routines.**



**CONTENTS**

<b>1</b>	<b>General Description .....</b>	<b>41</b>
<b>2</b>	<b>Physical Channel.....</b>	<b>43</b>
2.1	Frequency Band and RF Channels.....	43
2.2	Channel Definition.....	43
2.3	Time Slots .....	43
2.4	Modulation and Bit Rate.....	44
<b>3</b>	<b>Physical Links .....</b>	<b>45</b>
3.1	General .....	45
3.2	SCO Link.....	45
3.3	ACL Link .....	46
<b>4</b>	<b>Packets.....</b>	<b>47</b>
4.1	General Format.....	47
4.2	Access Code.....	48
4.2.1	Access code types .....	48
4.2.2	Preamble .....	49
4.2.3	Sync Word.....	49
4.2.4	Trailer .....	50
4.3	Packet Header .....	51
4.3.1	AM_ADDR.....	51
4.3.2	TYPE .....	51
4.3.3	FLOW.....	52
4.3.4	ARQN.....	52
4.3.5	SEQN .....	52
4.3.6	HEC.....	52
4.4	Packet Types .....	54
4.4.1	Common packet types.....	55
4.4.1.1	ID packet.....	55
4.4.1.2	NULL packet .....	55
4.4.1.3	POLL packet.....	55
4.4.1.4	FHS packet .....	56
4.4.1.5	DM1 packet.....	58
4.4.2	SCO packets .....	58
4.4.2.1	HV1 packet .....	58
4.4.2.2	HV2 packet .....	59
4.4.2.3	HV3 packet .....	59
4.4.2.4	DV packet .....	59

4.4.3	ACL packets.....	60
4.4.3.1	DM1 packet .....	60
4.4.3.2	DH1 packet.....	60
4.4.3.3	DM3 packet .....	60
4.4.3.4	DH3 packet.....	60
4.4.3.5	DM5 packet .....	61
4.4.3.6	DH5 packet.....	61
4.4.3.7	AUX1 packet.....	61
4.5	Payload Format .....	62
4.5.1	Voice field.....	62
4.5.2	Data field.....	62
4.6	Packet Summary .....	65
<b>5</b>	<b>Error Correction .....</b>	<b>67</b>
5.1	FEC Code: Rate 1/3 .....	67
5.2	FEC Code: Rate 2/3 .....	67
5.3	ARQ Scheme.....	68
5.3.1	Unnumbered ARQ.....	68
5.3.2	Retransmit filtering .....	70
5.3.3	Flushing payloads .....	71
5.3.4	Multi-slave considerations.....	72
5.3.5	Broadcast packets .....	72
5.4	Error Checking.....	73
<b>6</b>	<b>Logical Channels .....</b>	<b>77</b>
6.1	LC Channel (Link Control) .....	77
6.2	LM Channel (Link Manager) .....	77
6.3	UA/UI Channel (User Asynchronous/Isochronous data) .....	77
6.4	US Channel (User Synchronous data) .....	78
6.5	Channel Mapping.....	78
<b>7</b>	<b>Data Whitening.....</b>	<b>79</b>
<b>8</b>	<b>Transmit/Receive Routines .....</b>	<b>81</b>
8.1	TX Routine.....	81
8.1.1	ACL traffic .....	82
8.1.2	SCO traffic.....	83
8.1.3	Mixed data/voice traffic .....	83
8.1.4	Default packet types .....	84
8.2	RX Routine .....	84
8.3	Flow Control.....	85
8.3.1	Destination control .....	85
8.3.2	Source control.....	85
8.4	Bitstream Processes.....	86

<b>9</b>	<b>Transmit/Receive Timing</b> .....	<b>87</b>
9.1	Master/Slave Timing Synchronization.....	87
9.2	Connection State .....	88
9.3	Return From Hold Mode.....	90
9.4	Park Mode Wake-up .....	90
9.5	Page State .....	91
9.6	FHS Packet.....	91
9.7	Multi-slave Operation .....	93
<b>10</b>	<b>Channel Control</b> .....	<b>95</b>
10.1	Scope.....	95
10.2	Master-Slave Definition .....	95
10.3	Bluetooth Clock.....	95
10.4	Overview of States .....	97
10.5	Standby State .....	98
10.6	Access Procedures .....	99
10.6.1	General.....	99
10.6.2	Page scan .....	99
10.6.3	Page.....	101
10.6.4	Page response procedures .....	104
10.6.4.1	Slave response .....	105
10.6.4.2	Master response .....	107
10.7	Inquiry Procedures.....	108
10.7.1	General.....	108
10.7.2	Inquiry scan .....	109
10.7.3	Inquiry.....	110
10.7.4	Inquiry response.....	111
10.8	Connection State .....	112
10.8.1	Active mode.....	113
10.8.2	Sniff mode .....	114
10.8.3	Hold mode .....	114
10.8.4	Park mode .....	115
10.8.4.1	Beacon channel .....	115
10.8.4.2	Beacon access window .....	117
10.8.4.3	Parked slave synchronization .....	119
10.8.4.4	Parking.....	120
10.8.4.5	Master-activated unparking.....	120
10.8.4.6	Slave-activated unparking .....	120
10.8.4.7	Broadcast scan window .....	121
10.8.5	Polling schemes .....	121
10.8.5.1	Polling in active mode .....	121
10.8.5.2	Polling in park mode .....	122

- 10.8.6 Slot reservation scheme..... 122
- 10.8.7 Broadcast scheme ..... 122
- 10.9 Scatternet ..... 122
  - 10.9.1 General ..... 122
  - 10.9.2 Inter-piconet communications ..... 123
  - 10.9.3 Master-slave switch..... 123
- 10.10 Power Management..... 125
  - 10.10.1 Packet handling ..... 125
  - 10.10.2 Slot occupancy..... 125
  - 10.10.3 Low-power modes..... 125
- 10.11 Link Supervision ..... 126
- 11 Hop Selection ..... 127**
  - 11.1 General Selection Scheme ..... 127
  - 11.2 Selection Kernel..... 129
    - 11.2.1 First addition operation..... 130
    - 11.2.2 XOR operation ..... 130
    - 11.2.3 Permutation operation..... 131
    - 11.2.4 Second addition operation ..... 133
    - 11.2.5 Register bank..... 133
  - 11.3 Control Word..... 133
    - 11.3.1 Page scan and Inquiry scan substates ..... 135
    - 11.3.2 Page substate ..... 135
    - 11.3.3 Page response ..... 136
      - 11.3.3.1 Slave response ..... 136
      - 11.3.3.2 Master response ..... 136
    - 11.3.4 Inquiry substate..... 137
    - 11.3.5 Inquiry response ..... 137
    - 11.3.6 Connection state ..... 138
- 12 Bluetooth Audio ..... 139**
  - 12.1 LOG PCM CODEC ..... 139
  - 12.2 CVSD CODEC ..... 139
  - 12.3 Error Handling..... 142
  - 12.4 General Audio Requirements ..... 142
    - 12.4.1 Signal levels..... 142
    - 12.4.2 CVSD audio quality ..... 142

<b>13</b>	<b>Bluetooth Addressing.....</b>	<b>143</b>
13.1	Bluetooth Device Address (BD_ADDR) .....	143
13.2	Access Codes .....	143
13.2.1	Synchronization word definition.....	144
13.2.2	Pseudo-random noise sequence generation.....	146
13.2.3	Reserved addresses for GIAC and DIAC.....	147
13.3	Active Member Address (AM_ADDR).....	147
13.4	Parked Member Address (PM_ADDR) .....	148
13.5	Access Request Address (AR_ADDR) .....	148
<b>14</b>	<b>Bluetooth Security .....</b>	<b>149</b>
14.1	Random Number Generation .....	150
14.2	Key Management.....	150
14.2.1	Key types.....	151
14.2.2	Key generation and initialization.....	153
14.2.2.1	Generation of initialization key, .....	153
14.2.2.2	Authentication .....	154
14.2.2.3	Generation of a unit key.....	154
14.2.2.4	Generation of a combination key .....	155
14.2.2.5	Generating the encryption key .....	156
14.2.2.6	Point-to-multipoint configuration .....	157
14.2.2.7	Modifying the link keys.....	157
14.2.2.8	Generating a master key .....	158
14.3	Encryption .....	159
14.3.1	Encryption key size negotiation.....	160
14.3.2	Encryption modes.....	161
14.3.3	Encryption concept.....	161
14.3.4	Encryption algorithm.....	163
14.3.4.1	The operation of the cipher .....	165
14.3.5	LFSR initialization.....	165
14.3.6	Key stream sequence.....	168
14.4	Authentication .....	169
14.4.1	Repeated attempts .....	170
14.5	The Authentication And Key-Generating Functions .....	171
14.5.1	The authentication function E1.....	171
14.5.2	The functions Ar and A'r .....	173
14.5.2.1	The round computations .....	173
14.5.2.2	The substitution boxes “e” and “l” .....	174
14.5.2.3	Key scheduling .....	175
14.5.3	E2-Key generation function for authentication .....	175
14.5.4	E3-Key generation function for encryption .....	177
<b>15</b>	<b>List of Figures.....</b>	<b>179</b>
<b>16</b>	<b>List of Tables .....</b>	<b>183</b>





# 1 GENERAL DESCRIPTION

Bluetooth is a short-range radio link intended to replace the cable(s) connecting portable and/or fixed electronic devices. Key features are robustness, low complexity, low power, and low cost.

Bluetooth operates in the unlicensed ISM band at 2.4 GHz. A frequency hop transceiver is applied to combat interference and fading. A shaped, binary FM modulation is applied to minimize transceiver complexity. The symbol rate is 1 Ms/s. A slotted channel is applied with a nominal slot length of 625  $\mu$ s. For full duplex transmission, a Time-Division Duplex (TDD) scheme is used. On the channel, information is exchanged through packets. Each packet is transmitted on a different hop frequency. A packet nominally covers a single slot, but can be extended to cover up to five slots.

The Bluetooth protocol uses a combination of circuit and packet switching. Slots can be reserved for synchronous packets. Bluetooth can support an asynchronous data channel, up to three simultaneous synchronous voice channels, or a channel which simultaneously supports asynchronous data and synchronous voice. Each voice channel supports a 64 kb/s synchronous (voice) channel in each direction. The asynchronous channel can support maximal 723.2 kb/s asymmetric (and still up to 57.6 kb/s in the return direction), or 433.9 kb/s symmetric.

The Bluetooth system consists of a radio unit (see [Radio Specification](#)), a link control unit, and a support unit for link management and host terminal interface functions, see [Figure 1.1 on page 41](#). The current document describes the specifications of the Bluetooth link controller, which carries out the baseband protocols and other low-level link routines. Link layer messages for link set-up and control are defined in the [Link Manager Protocol on page 185](#).

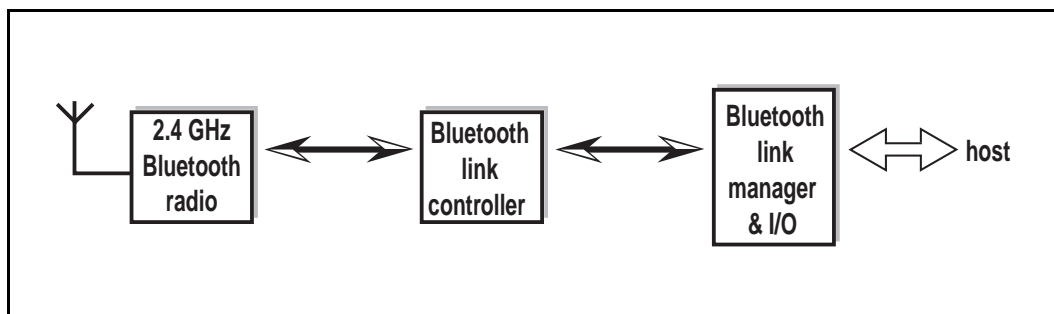


Figure 1.1: Different functional blocks in the Bluetooth system

The Bluetooth system provides a point-to-point connection (only two Bluetooth units involved), or a point-to-multipoint connection, see [Figure 1.2 on page 42](#). In the point-to-multipoint connection, the channel is shared among several Bluetooth units. Two or more units sharing the same channel form a **piconet**. One Bluetooth unit acts as the master of the piconet, whereas the other unit(s)

acts as slave(s). Up to seven slaves can be active in the piconet. In addition, many more slaves can remain locked to the master in a so-called parked state. These parked slaves cannot be active on the channel, but remain synchronized to the master. Both for active and parked slaves, the channel access is controlled by the master.

Multiple piconets with overlapping coverage areas form a **scatternet**. Each piconet can only have a single master. However, slaves can participate in different piconets on a time-division multiplex basis. In addition, a master in one piconet can be a slave in another piconet. The piconets shall not be time- or frequency-synchronized. Each piconet has its own hopping channel.

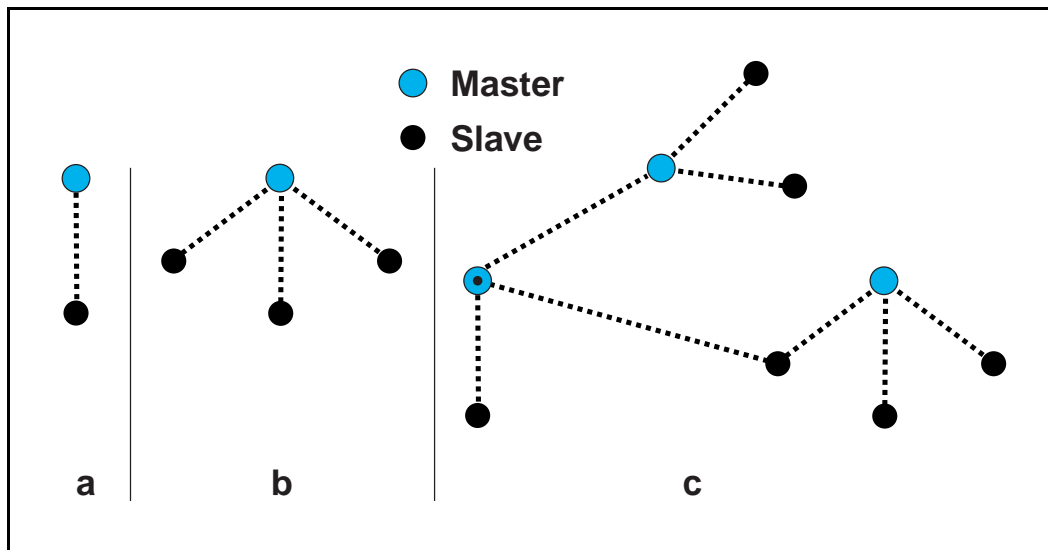


Figure 1.2: Piconets with a single slave operation (a), a multi-slave operation (b) and a scatternet operation (c).

## 2 PHYSICAL CHANNEL

### 2.1 FREQUENCY BAND AND RF CHANNELS

Bluetooth operates in the 2.4 GHz ISM band. Although globally available, the exact location and the width of the band may differ by country. In the US and Europe, a band of 83.5 MHz width is available; in this band, 79 RF channels spaced 1 MHz apart are defined. In Japan, Spain, and France, a smaller band is available; in this band, 23 RF channels spaced 1 MHz apart are defined.

Country	Frequency Range	RF Channels	
Europe* & USA	2400 - 2483.5 MHz	$f = 2402 + k$ MHz	$k = 0, \dots, 78$
Japan	2471 - 2497 MHz	$f = 2473 + k$ MHz	$k = 0, \dots, 22$
Spain	2445 - 2475 MHz	$f = 2449 + k$ MHz	$k = 0, \dots, 22$
France	2446.5 - 2483.5 MHz	$f = 2454 + k$ MHz	$k = 0, \dots, 22$

Table 2.1: Available RF channels

\*. except Spain and France

### 2.2 CHANNEL DEFINITION

The channel is represented by a pseudo-random hopping sequence hopping through the 79 or 23 RF channels. The hopping sequence is unique for the piconet and is determined by the Bluetooth device address of the master; the phase in the hopping sequence is determined by the Bluetooth clock of the master. The channel is divided into time slots where each slot corresponds to an RF hop frequency. Consecutive hops correspond to different RF hop frequencies. The nominal hop rate is 1600 hops/s. All Bluetooth units participating in the piconet are time- and hop-synchronized to the channel.

### 2.3 TIME SLOTS

The channel is divided into time slots, each 625  $\mu$ s in length. The time slots are numbered according to the Bluetooth clock of the piconet master. The slot numbering ranges from 0 to  $2^{27}-1$  and is cyclic with a cycle length of  $2^{27}$ .

In the time slots, master and slave can transmit packets.

A TDD scheme is used where master and slave alternatively transmit, see [Figure 2.1 on page 44](#). The master shall start its transmission in even-numbered time slots only, and the slave shall start its transmission in odd-numbered time slots only. The packet start shall be aligned with the slot start. Packets transmitted by the master or the slave may extend over up to five time slots.

The RF hop frequency shall remain fixed for the duration of the packet. For a single packet, the RF hop frequency to be used is derived from the current Bluetooth clock value. For a multi-slot packet, the RF hop frequency to be used for the entire packet is derived from the Bluetooth clock value in the first slot of the packet. The RF hop frequency in the first slot after a multi-slot packet shall use the frequency as determined by the current Bluetooth clock value. [Figure 2.2 on page 44](#) illustrates the hop definition on single- and multi-slot packets. If a packet occupies more than one time slot, the hop frequency applied shall be the hop frequency as applied in the time slot where the packet transmission was started.

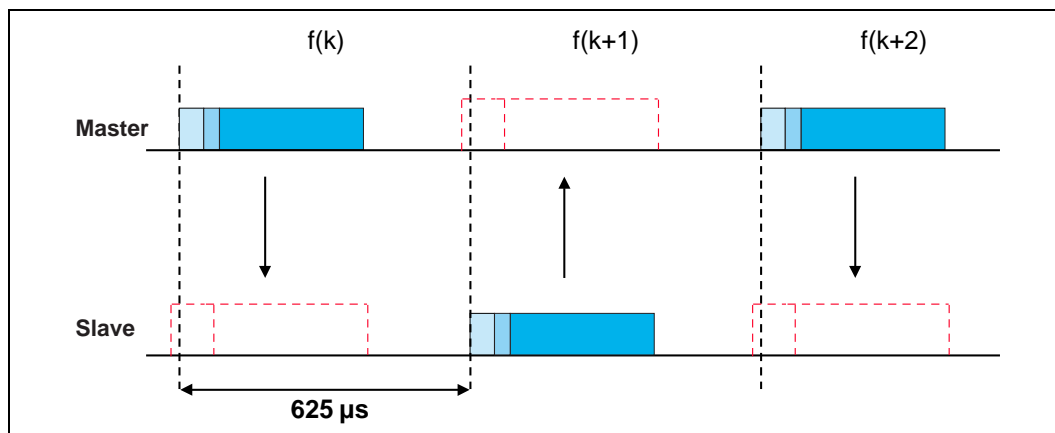


Figure 2.1: TDD and timing

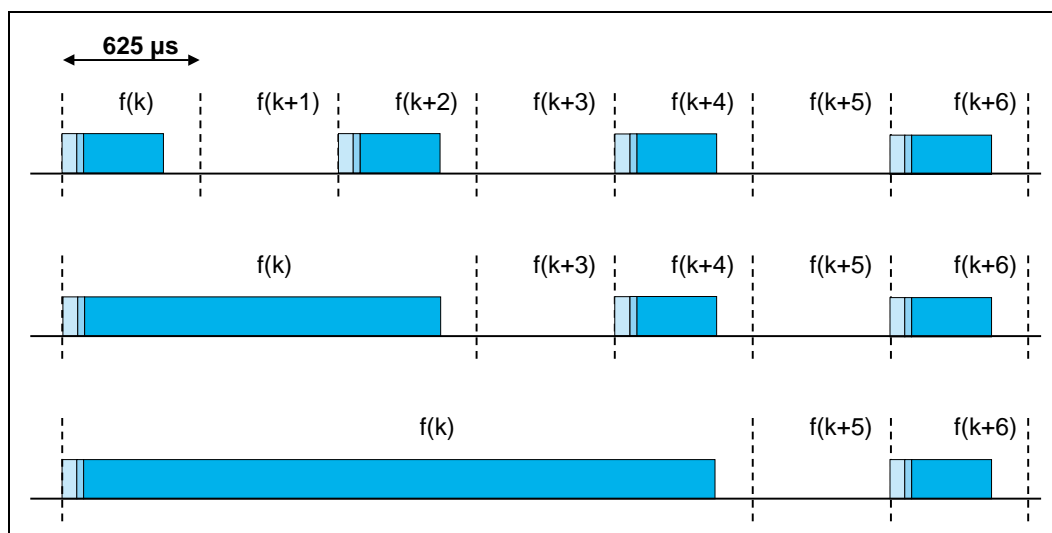


Figure 2.2: Multi-slot packets

## 2.4 MODULATION AND BIT RATE

The data transmitted has a symbol rate of 1 Ms/s. A Gaussian-shaped, binary FSK modulation is applied with a *BT* product of 0.5. A binary one is represented by a positive frequency deviation, a binary zero by a negative frequency deviation. The maximum frequency deviation shall be between 140 kHz and 175 kHz.

## 3 PHYSICAL LINKS

---

### 3.1 GENERAL

Between master and slave(s), different types of links can be established. Two link types have been defined:

- Synchronous Connection-Oriented (SCO) link
- Asynchronous Connection-Less (ACL) link

The SCO link is a point-to-point link between a master and a single slave in the piconet. The master maintains the SCO link by using reserved slots at regular intervals. The ACL link is a point-to-multipoint link between the master and all the slaves participating on the piconet. In the slots not reserved for the SCO link(s), the master can establish an ACL link on a per-slot basis to any slave, including the slave(s) already engaged in an SCO link.

### 3.2 SCO LINK

The SCO link is a symmetric, point-to-point link between the master and a specific slave. The SCO link reserves slots and can therefore be considered as a circuit-switched connection between the master and the slave. The SCO link typically supports time-bounded information like voice. The master can support up to three SCO links to the same slave or to different slaves. A slave can support up to three SCO links from the same master, or two SCO links if the links originate from different masters. SCO packets are never retransmitted.

The master will send SCO packets at regular intervals, the so-called SCO interval  $T_{SCO}$  (counted in slots) to the slave in the reserved master-to-slave slots. The SCO slave is always allowed to respond with an SCO packet in the following slave-to-master slot unless a different slave was addressed in the previous master-to-slave slot. If the SCO slave fails to decode the slave address in the packet header, it is still allowed to return an SCO packet in the reserved SCO slot.

The SCO link is established by the master sending an SCO setup message via the LM protocol. This message will contain timing parameters such as the SCO interval  $T_{SCO}$  and the offset  $D_{SCO}$  to specify the reserved slots.

In order to prevent clock wrap-around problems, an initialization flag in the LMP setup message indicates whether initialization procedure 1 or 2 is being used. The slave shall apply the initialization method as indicated by the initialization flag. The master uses initialization 1 when the MSB of the current master clock ( $CLK_{27}$ ) is 0; it uses initialization 2 when the MSB of the current master clock ( $CLK_{27}$ ) is 1. The master-to-slave SCO slots reserved by the master and the slave shall be initialized on the slots for which the clock satisfies the following equation:

$$\text{CLK}_{27-1} \bmod T_{\text{SCO}} = D_{\text{SCO}} \quad \text{for initialization 1}$$

$$(\overline{\text{CLK}}_{27}, \text{CLK}_{26-1}) \bmod T_{\text{SCO}} = D_{\text{SCO}} \quad \text{for initialization 2}$$

The slave-to-master SCO slots shall directly follow the reserved master-to-slave SCO slots. After initialization, the clock value  $\text{CLK}(k+1)$  for the next master-to-slave SCO slot is found by adding the fixed interval  $T_{\text{SCO}}$  to the clock value of the current master-to-slave SCO slot:

$$\text{CLK}(k+1) = \text{CLK}(k) + T_{\text{SCO}}$$

### 3.3 ACL LINK

In the slots not reserved for SCO links, the master can exchange packets with any slave on a per-slot basis. The ACL link provides a packet-switched connection between the master and all active slaves participating in the piconet. Both asynchronous and isochronous services are supported. Between a master and a slave only a single ACL link can exist. For most ACL packets, packet retransmission is applied to assure data integrity.

A slave is permitted to return an ACL packet in the slave-to-master slot if and only if it has been addressed in the preceding master-to-slave slot. If the slave fails to decode the slave address in the packet header, it is not allowed to transmit.

ACL packets not addressed to a specific slave are considered as broadcast packets and are read by every slave. If there is no data to be sent on the ACL link and no polling is required, no transmission shall take place.

## 4 PACKETS

### 4.1 GENERAL FORMAT

The bit ordering when defining packets and messages in the *Baseband Specification*, follows the *Little Endian format*, i.e., the following rules apply:

- The *least significant bit* (LSB) corresponds to  $b_0$ ;
- The LSB is the first bit sent over the air;
- In illustrations, the LSB is shown on the left side;

The baseband controller interprets the first bit arriving from a higher software layer as  $b_0$ ; i.e. this is the first bit to be sent over the air. Furthermore, data fields generated internally at baseband level, such as the packet header fields and payload header length, are transmitted with the LSB first. For instance, a 3-bit parameter  $X=3$  is sent as  $b_0b_1b_2 = 110$  over the air where 1 is sent first and 0 is sent last.

The data on the piconet channel is conveyed in packets. The general packet format is shown in [Figure 4.1 on page 47](#). Each packet consists of 3 entities: the access code, the header, and the payload. In the figure, the number of bits per entity is indicated.

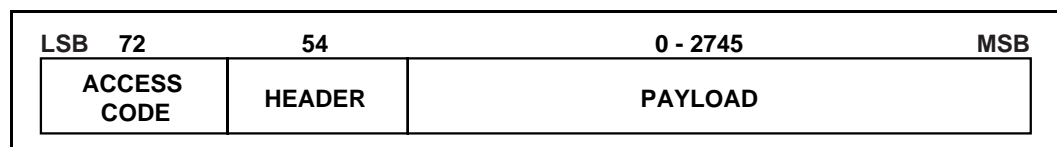


Figure 4.1: Standard packet format.

The access code and header are of fixed size: 72 bits and 54 bits respectively. The payload can range from zero to a maximum of 2745 bits. Different packet types have been defined. Packets may consist of the (shortened) access code only (see [ID packet on page 55](#)), of the access code – header, or of the access code – header – payload.

## 4.2 ACCESS CODE

Each packet starts with an access code. If a packet header follows, the access code is 72 bits long, otherwise the access code is 68 bits long. This access code is used for synchronization, DC offset compensation and identification. The access code identifies all packets exchanged on the channel of the piconet: all packets sent in the same piconet are preceded by the same channel access code. In the receiver of the Bluetooth unit, a sliding correlator correlates against the access code and triggers when a threshold is exceeded. This trigger signal is used to determine the receive timing.

The access code is also used in paging and inquiry procedures. In this case, the access code itself is used as a signalling message and neither a header nor a payload is present.

The access code consists of a preamble, a sync word, and possibly a trailer, see [Figure 4.2 on page 48](#). For details see [Section 4.2.1 on page 48](#).

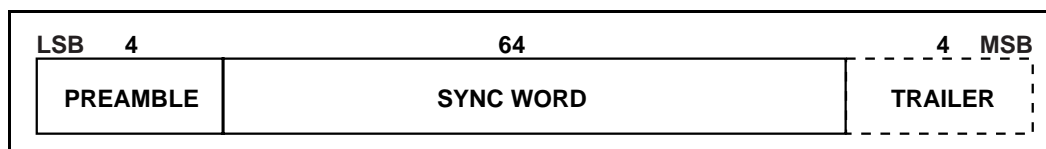


Figure 4.2: Access code format

### 4.2.1 Access code types

There are three different types of access codes defined:

- Channel Access Code (CAC)
- Device Access Code (DAC)
- Inquiry Access Code (IAC)

The respective access code types are used for a Bluetooth unit in different operating modes. The channel access code identifies a piconet. This code is included in all packets exchanged on the piconet channel. The device access code is used for special signalling procedures, e.g., paging and response to paging. For the inquiry access code there are two variations. A general inquiry access code (GIAC) is common to all devices. The GIAC can be used to discover which other Bluetooth units are in range. The dedicated inquiry access code (DIAC) is common for a dedicated group of Bluetooth units that share a common characteristic. The DIAC can be used to discover only these dedicated Bluetooth units in range.

The CAC consists of a **preamble**, **sync word**, and **trailer** and its total length is 72 bits. When used as self-contained messages without a header, the DAC and IAC do not include the trailer bits and are of length 68 bits.



The different access code types use different Lower Address Parts (LAPs) to construct the sync word. The LAP field of the BD address is explained in [Section 13.1 on page 143](#). A summary of the different access code types can be found in [Table 4.1 on page 49](#).

Code type	LAP	Code length	Comments
CAC	Master	72	See also <a href="#">Section 13.2 on page 143</a>
DAC	Paged unit	68/72*	
GIAC	Reserved	68/72*	
DIAC	Dedicated	68/72*	

Table 4.1: Summary of access code types.

\*. length 72 is only used in combination with FHS packets

### 4.2.2 Preamble

The preamble is a fixed zero-one pattern of 4 symbols used to facilitate DC compensation. The sequence is either 1010 or 0101, depending whether the LSB of the following sync word is 1 or 0, respectively. The preamble is shown in [Figure 4.3 on page 49](#).



Figure 4.3: Preamble

### 4.2.3 Sync Word

The sync word is a 64-bit code word derived from a 24 bit address (LAP); for the CAC the master’s LAP is used; for the GIAC and the DIAC, reserved, dedicated LAPs are used; for the DAC, the slave unit LAP is used. The construction guarantees large Hamming distance between sync words based on different LAPs. In addition, the good autocorrelation properties of the sync word improve on the timing synchronization process. The derivation of the sync word is described in [Section 13.2 on page 143](#)

### 4.2.4 Trailer

The trailer is appended to the sync word as soon as the packet header follows the access code. This is typically the case with the CAC, but the trailer is also used in the DAC and IAC when these codes are used in FHS packets exchanged during page response and inquiry response procedures.

The trailer is a fixed zero-one pattern of four symbols. The trailer together with the three MSBs of the syncword form a 7-bit pattern of alternating ones and zeroes which may be used for extended DC compensation. The trailer sequence is either 1010 or 0101 depending on whether the MSB of the sync word is 0 or 1, respectively. The choice of trailer is illustrated in [Figure 4.4 on page 50](#).



## 4.3 PACKET HEADER

The header contains link control (LC) information and consists of 6 fields:

- AM\_ADDR: 3-bit active member address
- TYPE: 4-bit type code
- FLOW: 1-bit flow control
- ARQN: 1-bit acknowledge indication
- SEQN: 1-bit sequence number
- HEC: 8-bit header error check

The total header, including the HEC, consists of 18 bits, see [Figure 4.5 on page 51](#), and is encoded with a rate 1/3 FEC (not shown but described in [Section 5.1 on page 67](#)) resulting in a 54-bit header. Note that the AM\_ADDR and TYPE fields are sent with their LSB first. The function of the different fields will be explained next.

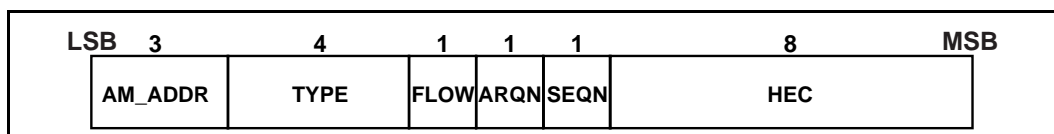


Figure 4.5: Header format.

### 4.3.1 AM\_ADDR

The AM\_ADDR represents a member address and is used to distinguish between the active members participating on the piconet. In a piconet, one or more slaves are connected to a single master. To identify each slave separately, each slave is assigned a temporary 3-bit address to be used when it is active. Packets exchanged between the master and the slave all carry the AM\_ADDR of this slave; that is, the AM\_ADDR of the slave is used in both master-to-slave packets and in the slave-to-master packets. The all-zero address is reserved for broadcasting packets from the master to the slaves. An exception is the FHS packet which may use the all-zero member address but is *not* a broadcast message ([Section 4.4.1.4 on page 56](#)). Slaves that are disconnected or parked give up their AM\_ADDR. A new AM\_ADDR has to be assigned when they re-enter the piconet.

### 4.3.2 TYPE

Sixteen different types of packets can be distinguished. The 4-bit TYPE code specifies which packet type is used. Important to note is that the interpretation of the TYPE code depends on the physical link type associated with the packet. First, it shall be determined whether the packet is sent on an SCO link or an ACL link. Then it can be determined which type of SCO packet or ACL packet has been received. The TYPE code also reveals how many slots the current packet will occupy. This allows the non-addressed receivers to refrain

from listening to the channel for the duration of the remaining slots. In [Section 4.4 on page 54](#), each packet type will be described in more detail.

### 4.3.3 FLOW

This bit is used for flow control of packets over the ACL link. When the RX buffer for the ACL link in the recipient is full and is not emptied, a STOP indication (FLOW=0) is returned to stop the transmission of data temporarily. Note, that the STOP signal only concerns ACL packets. Packets including only link control information (ID, POLL and NULL packets) or SCO packets can still be received. When the RX buffer is empty, a GO indication (FLOW=1) is returned. When no packet is received, or the received header is in error, a GO is assumed implicitly.

### 4.3.4 ARQN

The 1-bit acknowledgment indication ARQN is used to inform the source of a successful transfer of payload data with CRC, and can be positive acknowledge ACK or negative acknowledge NAK. If the reception was successful, an ACK (ARQN=1) is returned, otherwise a NAK (ARQN=0) is returned. When no return message regarding acknowledge is received, a NAK is assumed implicitly. NAK is also the default return information.

The ARQN is piggy-backed in the header of the return packet. The success of the reception is checked by means of a cyclic redundancy check (CRC) code. An unnumbered ARQ scheme which means that the ARQN relates to the latest received packet from the same source, is used. See [Section 5.3 on page 68](#) for initialization and usage of this bit.

### 4.3.5 SEQN

The SEQN bit provides a sequential numbering scheme to order the data packet stream. For each new transmitted packet that contains data with CRC, the SEQN bit is inverted. This is required to filter out retransmissions at the destination; if a retransmission occurs due to a failing ACK, the destination receives the same packet twice. By comparing the SEQN of consecutive packets, correctly received retransmissions can be discarded. The SEQN has to be added due to a lack of packet numbering in the unnumbered ARQ scheme. See [section 5.3.2 on page 70](#) for initialization and usage of the SEQN bit. For broadcast packets, a modified sequencing method is used, see [Section 5.3.5 on page 72](#).

### 4.3.6 HEC

Each header has a header-error-check to check the header integrity. The HEC consists of an 8-bit word generated by the polynomial  $647$  (octal representation). Before generating the HEC, the HEC generator is initialized with an 8-bit value. For FHS packets sent in **master page response** state, the slave upper

address part (UAP) is used. For FHS packets sent in **inquiry response**, the default check initialization (DCI, see [Section 5.4](#)) is used. In all other cases, the UAP of the master device is used. For the definition of Bluetooth device addresses, see [Section 13.1 on page 143](#).

After the initialization, a HEC is calculated for the 10 header bits. Before checking the HEC, the receiver must initialize the HEC check circuitry with the proper 8-bit UAP (or DCI). If the HEC does not check, the entire packet is disregarded. More information can be found in [Section 5.4 on page 73](#).

## 4.4 PACKET TYPES

The packets used on the piconet are related to the physical links they are used in. Up to now, two physical links are defined: the SCO link and the ACL link. For each of these links, 12 different packet types can be defined. Four control packets will be common to all link types: their TYPE code is unique irrespective of the link type.

To indicate the different packets on a link, the 4-bit TYPE code is used. The packet types have been divided into four segments. The first segment is reserved for the four control packets common to all physical link types; all four packet types have been defined. The second segment is reserved for packets occupying a single time slot; six packet types have been defined. The third segment is reserved for packets occupying three time slots; two packet types have been defined. The fourth segment is reserved for packets occupying five time slots; two packet types have been defined. The slot occupancy is reflected in the segmentation and can directly be derived from the type code. [Table 4.2 on page 54](#) summarizes the packets defined so far for the SCO and ACL link types.

Segment	TYPE code $b_3b_2b_1b_0$	Slot occupancy	SCO link	ACL link
1	0000	1	NULL	NULL
	0001	1	POLL	POLL
	0010	1	FHS	FHS
	0011	1	DM1	DM1
2	0100	1	undefined	DH1
	0101	1	HV1	undefined
	0110	1	HV2	undefined
	0111	1	HV3	undefined
	1000	1	DV	undefined
	1001	1	undefined	AUX1
3	1010	3	undefined	DM3
	1011	3	undefined	DH3
	1100	3	undefined	undefined
	1101	3	undefined	undefined
4	1110	5	undefined	DM5
	1111	5	undefined	DH5

Table 4.2: Packets defined for SCO and ACL link types

#### **4.4.1 Common packet types**

There are five common packets. In addition to the types listed in segment 1 of the previous table, there is the ID packet not listed. Each packet will now be examined in more detail.

##### 4.4.1.1 ID packet

The identity or ID packet consists of the device access code (DAC) or inquiry access code (IAC). It has a fixed length of 68 bits. It is a very robust packet since the receiver uses a bit correlator to match the received packet to the known bit sequence of the ID packet. The packet is used, for example, in paging, inquiry, and response routines.

##### 4.4.1.2 NULL packet

The NULL packet has no payload and therefore consists of the channel access code and packet header only. Its total (fixed) length is 126 bits. The NULL packet is used to return link information to the source regarding the success of the previous transmission (ARQN), or the status of the RX buffer (FLOW). The NULL packet itself does not have to be acknowledged.

##### 4.4.1.3 POLL packet

The POLL packet is very similar to the NULL packet. It does not have a payload either. In contrast to the NULL packet, it requires a confirmation from the recipient. It is not a part of the ARQ scheme. The POLL packet does not affect the ARQN and SEQN fields. Upon reception of a POLL packet the slave must respond with a packet. This return packet is an implicit acknowledgement of the POLL packet. This packet can be used by the master in a piconet to poll the slaves, which must then respond even if they do not have information to send.

4.4.1.4 FHS packet

The FHS packet is a special control packet revealing, among other things, the Bluetooth device address and the clock of the sender. The payload contains 144 information bits plus a 16-bit CRC code. The payload is coded with a rate 2/3 FEC which brings the gross payload length to 240 bits. The FHS packet covers a single time slot.

Figure 4.6 on page 56 illustrates the format and contents of the FHS payload. The payload consists of eleven fields. The FHS packet is used in page master response, inquiry response and in master slave switch. In page master response or master slave switch, it is retransmitted until its reception is acknowledged or a timeout has exceeded. In inquiry response, the FHS packet is not acknowledged. The FHS packet contains real-time clock information. This clock information is updated before each retransmission. The retransmission of the FHS payload is thus somewhat different from the retransmission of ordinary data payloads where the same payload is used for each retransmission. The FHS packet is used for frequency hop synchronization before the piconet channel has been established, or when an existing piconet changes to a new piconet. In the former case, the recipient has not been assigned an active member address yet, in which case the AM\_ADDR field in the FHS packet header is set to all-zeroes; however, the FHS packet should not be considered as a broadcast packet. In the latter case the slave already has an AM\_ADDR in the existing piconet, which is then used in the FHS packet header.

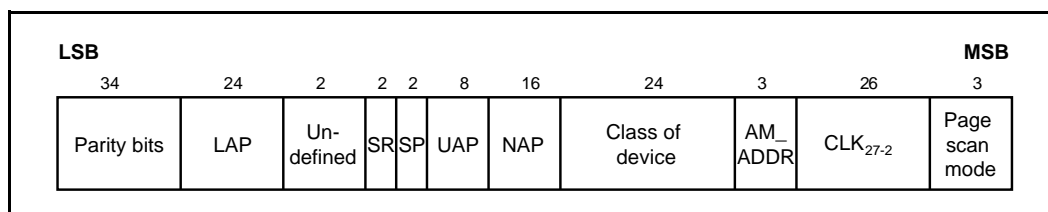


Figure 4.6: Format of the FHS payload

Each field is described in more detail below:

<b>Parity bits</b>	This 34-bit field contains the parity bits that form the first part of the sync word of the access code of the unit that sends the FHS packet. These bits are derived from the LAP as described in <a href="#">section 13.2 on page 143</a> .
<b>LAP</b>	This 24-bit field contains the lower address part of the unit that sends the FHS packet.
<b>Undefined</b>	This 2-bit field is reserved for future use and shall be set to zero.
<b>SR</b>	This 2-bit field is the scan repetition field and indicates the interval between two consecutive page scan windows, see also <a href="#">Table 4.4</a> and <a href="#">Table 10.1 on page 101</a>

Table 4.3: Description of the FHS payload



<b>SP</b>	This 2-bit field is the scan period field and indicates the period in which the mandatory page scan mode is applied after transmission of an inquiry response message, see also Table 4.5 and <a href="#">Table 10.6 on page 112</a> .
<b>UAP</b>	This 8-bit field contains the upper address part of the unit that sends the FHS packet.
<b>NAP</b>	This 16-bit field contains the non-significant address part of the unit that sends the FHS packet (see also <a href="#">section 13.1 on page 143</a> for LAP, UAP, and NAP).
<b>Class of device</b>	This 24-bit field contains the class of device of the unit that sends the FHS packet. The class of device has not been defined yet.
<b>AM_ADDR</b>	This 3-bit field contains the member address the recipient shall use if the FHS packet is used at call setup or master-slave switch. A slave responding to a master or a unit responding to an inquiry request message shall include an all-zero AM_ADDR field if it sends the FHS packet.
<b>CLK<sub>27-2</sub></b>	This 26-bit field contains the value of the native system clock of the unit that sends the FHS packet, sampled at the beginning of the transmission of the access code of this FHS packet. This clock value has a resolution of 1.25ms (two-slot interval). For each new transmission, this field is updated so that it accurately reflects the real-time clock value.
<b>Page scan mode</b>	This 3-bit field indicates which scan mode is used by default by the sender of the FHS packet. The interpretation of the page scan mode is illustrated in Table 4.6. Currently, the standard supports one mandatory scan mode and up to three optional scan modes (see also <a href="#">“Appendix VII” on page 999</a> ).

Table 4.3: Description of the FHS payload

SR bit format $b_1b_0$	SR mode
00	R0
01	R1
10	R2
11	reserved

Table 4.4: Contents of SR field

SP bit format $b_1b_0$	SP mode
00	P0
01	P1
10	P2
11	reserved

Table 4.5: Contents of SP field

Bit format $b_2b_1b_0$	Page scan mode
000	Mandatory scan mode
001	Optional scan mode I
010	Optional scan mode II
011	Optional scan mode III
100	Reserved for future use
101	Reserved for future use
110	Reserved for future use
111	Reserved for future use

Table 4.6: Contents of page scan mode field

The LAP, UAP, and NAP together form the 48-bit IEEE address of the unit that sends the FHS packet. Using the parity bits and the LAP, the recipient can directly construct the channel access code of the sender of the FHS packet.

#### 4.4.1.5 DM1 packet

DM1 serves as part of segment 1 in order to support control messages in any link type. However, it can also carry regular user data. Since the DM1 packet is recognized on the SCO link, it can interrupt the synchronous information to send control information. Since the DM1 packet can be regarded as an ACL packet, it will be discussed in [Section 4.4.3 on page 60](#).

### 4.4.2 SCO packets

SCO packets are used on the synchronous SCO link. The packets do not include a CRC and are never retransmitted. SCO packets are routed to the synchronous I/O (voice) port. Up to now, three pure SCO packets have been defined. In addition, an SCO packet is defined which carries an asynchronous data field in addition to a synchronous (voice) field. The SCO packets defined so far are typically used for 64 kb/s speech transmission.

#### 4.4.2.1 HV1 packet

The **HV1** packet carries 10 information bytes. The bytes are protected with a rate 1/3 FEC. No CRC is present. The payload length is fixed at 240 bits. There is no payload header present.

HV packets are typically used for voice transmission. HV stands for High-quality Voice. The voice packets are never retransmitted and need no CRC.

An HV1 packet can carry 1.25ms of speech at a 64 kb/s rate. In that case, an HV1 packet has to be sent every two time slots ( $T_{SCO}=2$ ).

#### 4.4.2.2 HV2 packet

The **HV2** packet carries 20 information bytes. The bytes are protected with a rate 2/3 FEC. No CRC is present. The payload length is fixed at 240 bits. There is no payload header present.

If the HV2 packet is used for voice at a 64 kb/s rate, it can carry 2.5ms of speech. In that case, an HV2 packet has to be sent every four time slots ( $T_{SCO}=4$ ).

#### 4.4.2.3 HV3 packet

The **HV3** packet carries 30 information bytes. The bytes are not protected by FEC. No CRC is present. The payload length is fixed at 240 bits. There is no payload header present.

If the HV3 packet is used for voice at a 64 kb/s rate, it can carry 3.75ms of speech. In that case, an HV3 packet has to be sent every six time slots ( $T_{SCO}=6$ ).

#### 4.4.2.4 DV packet

The **DV** packet is a combined data - voice packet. The payload is divided into a voice field of 80 bits and a data field containing up to 150 bits, see [Figure 4.7](#). The voice field is not protected by FEC. The data field contains up to 10 information bytes (including the 1-byte payload header) and includes a 16-bit CRC. The data field is encoded with a rate 2/3 FEC. If necessary, extra zeroes are appended to assure that the total number of payload bits is a multiple of 10 prior to FEC encoding. Since the **DV** packet has to be sent at regular intervals due to its synchronous (voice) contents, it is listed under the SCO packet types. The voice and data fields are treated completely separate. The voice field is handled like normal SCO data and is never retransmitted; that is, the voice field is always new. The data field is checked for errors and is retransmitted if necessary.

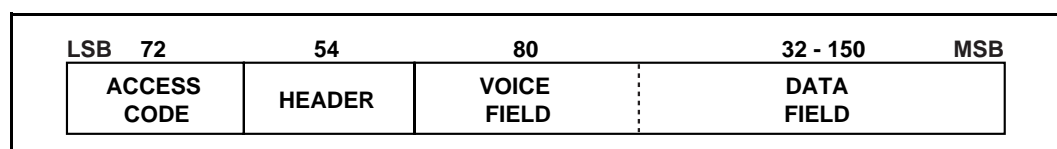


Figure 4.7: DV packet format

### 4.4.3 ACL packets

ACL packets are used on the asynchronous links. The information carried can be user data or control data. Including the DM1 packet, seven ACL packets have been defined. Six of the ACL packets contain a CRC code and retransmission is applied if no acknowledgement of proper reception is received (except in case a flush operation is carried out, see [Section 5.3.3 on page 71](#)). The 7th ACL packet, the AUX1 packet, has no CRC and is not retransmitted.

#### 4.4.3.1 DM1 packet

The DM1 packet is a packet that carries data information only. DM stands for Data – Medium rate. The payload contains up to 18 information bytes (including the 1-byte payload header) plus a 16-bit CRC code. The DM1 packet may cover up to a single time slot. The information plus CRC bits are coded with a rate 2/3 FEC which adds 5 parity bits to every 10-bit segment. If necessary, extra zeros are appended after the CRC bits to get the total number of bits (information bits, CRC bits, and tail bits) equal a multiple of 10. The payload header in the DM1 packet is only 1 byte long, see [Figure 4.8 on page 62](#). The length indicator in the payload header specifies the number of user bytes (excluding payload header and the CRC code).

#### 4.4.3.2 DH1 packet

This packet is similar to the DM1 packet, except that the information in the payload is not FEC encoded. As a result, the DH1 packet can carry up to 28 information bytes plus a 16-bit CRC code. DH stands for Data – High rate. The DH1 packet may cover up to a single time slot.

#### 4.4.3.3 DM3 packet

The DM3 packet is a DM1 packet with an extended payload. The DM3 packet may cover up to three time slots. The payload contains up to 123 information bytes (including the 2-bytes payload header) plus a 16-bit CRC code. The payload header in the DM3 packet is 2 bytes long, see [Figure 4.9 on page 62](#). The length indicator in the payload header specifies the number of user bytes (excluding payload header and the CRC code). When a DM3 packet is sent or received, the RF hop frequency shall not change for a duration of three time slots (the first time slot being the slot where the channel access code was transmitted).

#### 4.4.3.4 DH3 packet

This packet is similar to the DM3 packet, except that the information in the payload is not FEC encoded. As a result, the DH3 packet can carry up to 185 information bytes (including the two bytes payload header) plus a 16-bit CRC code.

The DH3 packet may cover three time slots. When a DH3 packet is sent or received, the hop frequency shall not change for a duration of three time slots (the first time slot being the slot where the channel access code was transmitted).

#### 4.4.3.5 DM5 packet

The DM5 packet is a DM1 packet with an extended payload. The DM5 packet may cover up to five time slots. The payload contains up to 226 information bytes (including the 2-bytes payload header) plus a 16-bit CRC code. The payload header in the DM5 packet is 2 bytes long. The length indicator in the payload header specifies the number of user bytes (excluding payload header and the CRC code). When a DM5 packet is sent or received, the hop frequency shall not change for a duration of five time slots (the first time slot being the slot where the channel access code was transmitted).

#### 4.4.3.6 DH5 packet

This packet is similar to the DM5 packet, except that the information in the payload is not FEC encoded. As a result, the DH5 packet can carry up to 341 information bytes (including the two bytes payload header) plus a 16-bit CRC code. The DH5 packet may cover five time slots. When a DH5 packet is sent or received, the hop frequency shall not change for a duration of five time slots (the first time slot being the slot where the channel access code was transmitted).

#### 4.4.3.7 AUX1 packet

This packet resembles a DH1 packet but has no CRC code. The AUX1 packet can carry up to 30 information bytes (including the 1-byte payload header). The AUX1 packet may cover up to a single time slot.

## 4.5 PAYLOAD FORMAT

In the previous packet overview, several payload formats were considered. In the payload, two fields are distinguished: the (synchronous) voice field and the (asynchronous) data field. The ACL packets only have the data field and the SCO packets only have the voice field – with the exception of the DV packets which have both.

### 4.5.1 Voice field

The voice field has a fixed length. For the HV packets, the voice field length is 240 bits; for the DV packet the voice field length is 80 bits. No payload header is present.

### 4.5.2 Data field

The data field consists of three segments: a payload header, a payload body, and possibly a CRC code (only the AUX1 packet does not carry a CRC code).

#### 1. Payload header

Only data fields have a payload header. The payload header is one or two bytes long. Packets in segments one and two have a 1-byte payload header; packets in segments three and four have a 2-bytes payload header. The payload header specifies the logical channel (2-bit L\_CH indication), controls the flow on the logical channels (1-bit FLOW indication), and has a payload length indicator (5 bits and 9 bits for 1-byte and 2-bytes payload header, respectively). In the case of a 2-byte payload header, the length indicator is extended by four bits into the next byte. The remaining four bits of the second byte are reserved for future use and shall be set to zero. The formats of the 1-byte and 2-bytes payload headers are shown in [Figure 4.8 on page 62](#) and [Figure 4.9 on page 62](#).

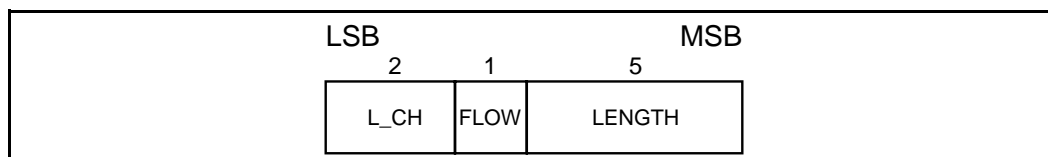


Figure 4.8: Payload header format for single-slot packets.

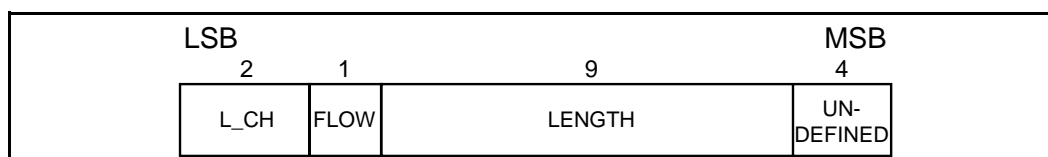


Figure 4.9: Payload header format for multi-slot packets.

The L\_CH field is transmitted first, the length field last. In [Table 4.7 on page 63](#), more details about the contents of the L\_CH field are listed.

L_CH code b <sub>1</sub> b <sub>0</sub>	Logical Channel	Information
00	NA	undefined
01	UA/UI	Continuation fragment of an L2CAP message
10	UA/UI	Start of an L2CAP message or no fragmentation
11	LM	LMP message

Table 4.7: Logical channel L\_CH field contents

An L2CAP message can be fragmented into several packets. Code 10 is used for an L2CAP packet carrying the first fragment of such a message; code 01 is used for continuing fragments. If there is no fragmentation, code 10 is used for every packet. Code 11 is used for LMP messages. Code 00 is reserved for future use.

The flow indicator in the payload is used to control the flow at the L2CAP level. It is used to control the flow per logical channel (when applicable). FLOW=1 means flow-on ("OK to send") and FLOW=0 means flow-off ("stop"). There are no strict real-time requirements on the flow bit in the payload header. Flow bit in the last correctly received payload header determines flow status. The link manager is responsible for setting and processing the flow bit in the payload header. Real-time flow control is carried out at the packet level by the link controller via the flow bit in the packet header (see Section 4.3.3 on page 52). With the payload flow bit, traffic from the remote end can be controlled. It is allowed to generate and send an ACL packet with payload load length zero. L2CAP start- and continue-fragment indications (L\_CH=10 and L\_CH=01) also retain their meaning when the payload length is equal to zero (i.e. an empty start-fragment should not be sent in the middle of an on-going L2CAP packet transmission). It is always safe to send an ACL packet with payload length=0 and L\_CH=10. The payload flow bit has its own meaning for each logical channel (UA/I or LM), see Table 4.8 on page 63. On the LM channel, no flow control is applied and the payload flow bit is always set at one.

L_CH code b <sub>1</sub> b <sub>0</sub>	Usage and semantics of the ACL payload header FLOW bit
00	Not defined, reserved for future use.
01 or 10	Flow control of the UA/I channels (which are used to send L2CAP messages)
11	Always set FLOW=1 on transmission and ignore the bit on reception

Table 4.8: Use of payload header flow bit on the logical channels.

The length indicator indicates the number of bytes (i.e. 8-bit words) in the payload excluding the payload header and the CRC code; i.e. the payload body only. With reference to Figure 4.8 and Figure 4.9, the MSB of the length field in a 1-byte header is the last (right-most) bit in the payload

header; the MSB of the length field in a 2-byte header is the fourth bit (from left) of the second byte in the payload header.

## 2. Payload body

The payload body includes the user host information and determines the effective user throughput. The length of the payload body is indicated in the length field of the payload header.

## 3. CRC code generation

The 16-bit cyclic redundancy check code in the payload is generated by the CRC-CCITT polynomial  $210041$  (octal representation). It is generated in a way similar to the HEC. Before determining the CRC code, an 8-bit value is used to initialize the CRC generator. For the CRC code in the FHS packets sent in **master page response** state, the UAP of the slave is used. For the FHS packet sent in **inquiry response** state, the DCI (see [Section 5.4](#)) is used. For all other packets, the UAP of the master is used.

The 8 bits are loaded into the 8 least significant (left-most) positions of the LFSR circuit, see [Figure 5.10 on page 76](#). The other 8 bits are at the same time reset to zero. Subsequently, the CRC code is calculated over the information. Then the CRC code is appended to the information; the UAP (or DCI) is disregarded. At the receive side, the CRC circuitry is in the same way initialized with the 8-bit UAP (DCI) before the received information is checked. More information can be found in [Section 5.4 on page 73](#).



## 4.6 PACKET SUMMARY

A summary of the packets and their characteristics is shown in [Table 4.9](#), [Table 4.10](#) and [Table 4.11](#). The user payload represents the packet payload excluding FEC, CRC, and payload header.

Type	User Payload (bytes)	FEC	CRC	Symmetric Max. Rate	Asymmetric Max. Rate
ID	na	na	na	na	na
NULL	na	na	na	na	na
POLL	na	na	na	na	na
FHS	18	2/3	yes	na	na

Table 4.9: Link control packets

Type	Payload Header (bytes)	User Payload (bytes)	FEC	CRC	Symmetric Max. Rate (kb/s)	Asymmetric Max. Rate (kb/s)	
						Forward	Reverse
DM1	1	0-17	2/3	yes	108.8	108.8	108.8
DH1	1	0-27	no	yes	172.8	172.8	172.8
DM3	2	0-121	2/3	yes	258.1	387.2	54.4
DH3	2	0-183	no	yes	390.4	585.6	86.4
DM5	2	0-224	2/3	yes	286.7	477.8	36.3
DH5	2	0-339	no	yes	433.9	723.2	57.6
AUX1	1	0-29	no	no	185.6	185.6	185.6

Table 4.10: ACL packets

Type	Payload Header (bytes)	User Payload (bytes)	FEC	CRC	Symmetric Max. Rate (kb/s)
HV1	na	10	1/3	no	64.0
HV2	na	20	2/3	no	64.0
HV3	na	30	no	no	64.0
DV*	1 D	10+(0-9) D	2/3 D	yes D	64.0+57.6 D

Table 4.11: SCO packets

\*. Items followed by 'D' relate to data field only.



## 5 ERROR CORRECTION

There are three error correction schemes defined for Bluetooth:

- 1/3 rate FEC
- 2/3 rate FEC
- ARQ scheme for the data

The purpose of the FEC scheme on the data payload is to reduce the number of retransmissions. However, in a reasonable error-free environment, FEC gives unnecessary overhead that reduces the throughput. Therefore, the packet definitions given in Section 4 have been kept flexible to use FEC in the payload or not, resulting in the **DM** and **DH** packets for the ACL link and the **HV** packets for the SCO link. The packet header is always protected by a 1/3 rate FEC; it contains valuable link information and should be able to sustain more bit errors.

Correction measures to mask errors in the voice decoder are not included in this section. This matter is discussed in section Section 12.3 on page 142.

### 5.1 FEC CODE: RATE 1/3

A simple 3-times repetition FEC code is used for the header. The repetition code is implemented by repeating the bit three times, see the illustration in Figure 5.1 on page 67. The 3-bit repetition code is used for the entire header, and also for the voice field in the **HV1** packet.

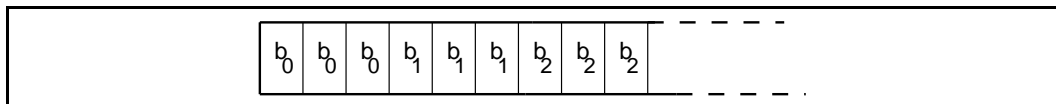


Figure 5.1: Bit-repetition encoding scheme.

### 5.2 FEC CODE: RATE 2/3

The other FEC scheme is a (15,10) shortened Hamming code. The generator polynomial is  $g(D) = (D + 1)(D^4 + D + 1)$ . This corresponds to 65 in octal notation. The LFSR generating this code is depicted in Figure 5.2 on page 68. Initially all register elements are set to zero. The 10 information bits are sequentially fed into the LFSR with the switches S1 and S2 set in position 1. Then, after the final input bit, the switches S1 and S2 are set in position 2, and the five parity bits are shifted out. The parity bits are appended to the information bits. Consequently, each block of 10 information bits is encoded into a 15 bit codeword. This code can correct all single errors and detect all double errors in each codeword. This 2/3 rate FEC is used in the **DM** packets, in the data field of the **DV** packet, in the **FHS** packet, and in the **HV2** packet. Since the encoder operates with information segments of length 10, tail bits with

value zero may have to be appended after the CRC bits. The total number of bits to encode, i.e., payload header, user data, CRC, and tail bits, must be a multiple of 10. Thus, the number of tail bits to append is the least possible that achieves this (i.e., in the interval 0...9). These tail bits are not included in the payload length indicator.

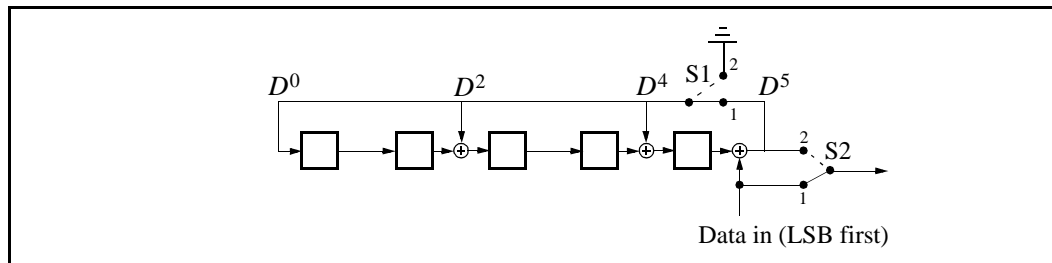


Figure 5.2: LFSR generating the (15,10) shortened Hamming code.

### 5.3 ARQ SCHEME

With an automatic repeat request scheme, **DM**, **DH** and the data field of **DV** packets are transmitted and retransmitted until acknowledgement of a successful reception is returned by the destination (or timeout is exceeded). The acknowledgement information is included in the header of the return packet, so-called piggy-backing. To determine whether the payload is correct or not, a cyclic redundancy check (CRC) code is added to the packet. The ARQ scheme only works on the payload in the packet (only that payload which has a CRC). The packet header and the voice payload are not protected by the ARQ scheme.

#### 5.3.1 Unnumbered ARQ

Bluetooth uses a fast, unnumbered acknowledgment scheme: an ACK (ARQN=1) or a NAK (ARQN=0) is returned in response to the receipt of previously received packet. The slave will respond in the slave-to-master slot directly following the master-to-slave slot; the master will respond at the next event it will address the same slave (the master may have addressed other slaves between the last received packet from the considered slave and the master response to this packet). For a packet reception to be successful, at least the HEC must check. In addition, the CRC must check if present.

At the start of a new connection which may be the result of a page, page scan, master-slave switch or unpair, the master sends a POLL packet to verify the connection. In this packet the master initializes the ARQN bit to NAK. The response packet sent by the slave also has the ARQN bit set to NAK. The subsequent packets use the following rules.

The ARQ bit is affected by data packets containing CRC and empty slots only. As shown in Fig. 5.3 on page 70, upon successful reception of a CRC packet, the ARQN bit is set to ACK. If, in any receive slot in the slave or in a receive

slot following transmission of a packet in the master, no access code is detected, and the HEC check or the CRC check of a CRC packet fails, then the ARQN bit is set to NAK. Packets that have correct HEC but that are addressed to other slaves, or packets other than DH, DM, or DV packets, do not affect the ARQN bit. In these cases the ARQN bit is left as it was prior to reception of the packet. If a CRC packet with a correct header has the same SEQN as the previously received CRC packet, the ARQN bit is set to ACK and the payload is disregarded without checking the CRC.

The ARQ bit in the FHS packet is not meaningful. Contents of the ARQN bit in the FHS packet should not be checked.

Broadcast packets are checked on errors using the CRC, but no ARQ scheme is applied. Broadcast packets are never acknowledged.

Inactive connection modes HOLD and SNIFF do not affect the ARQN scheme. After return from these modes, packets will continue using values from before the start of hold/sniff modes.

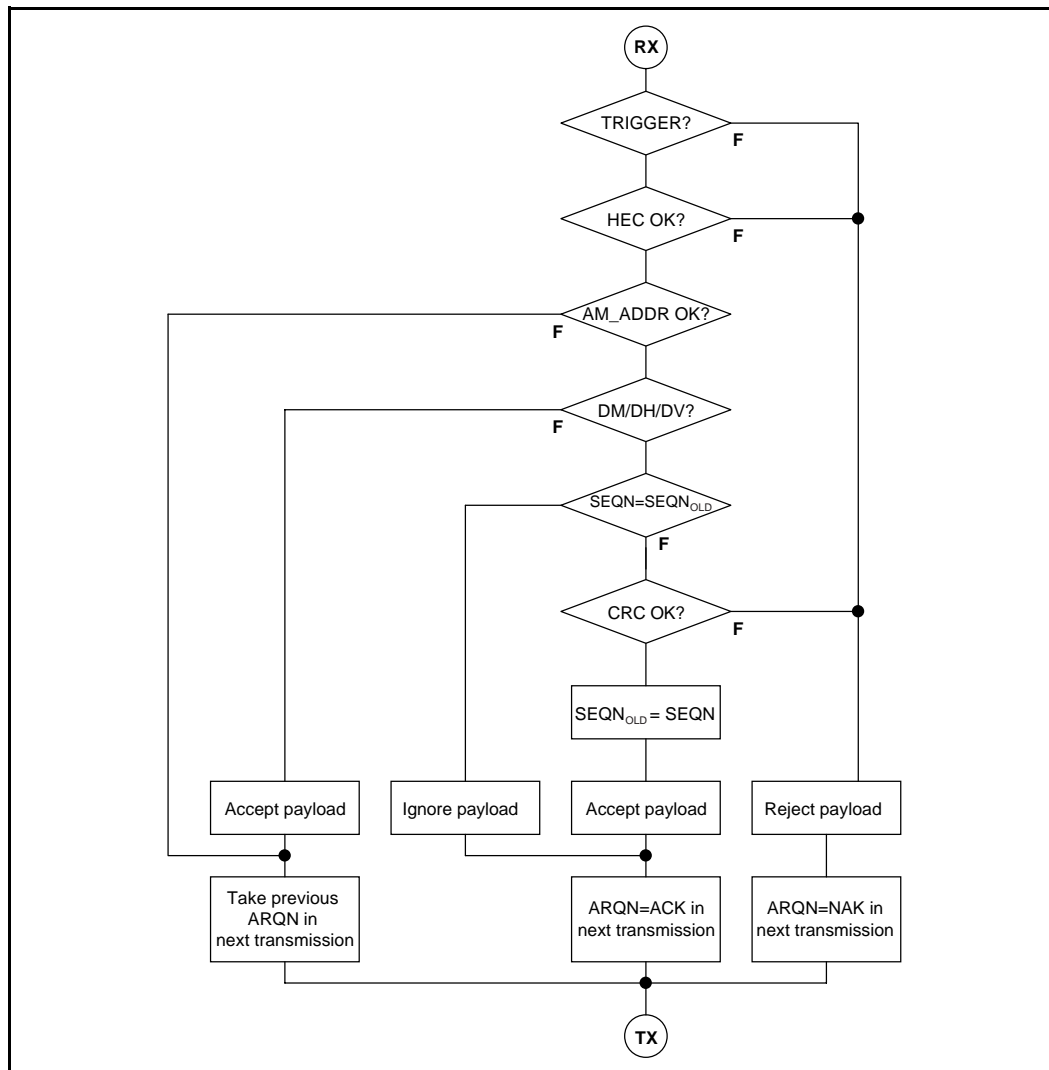


Figure 5.3: Receive protocol for determining the ARQN bit.

### 5.3.2 Retransmit filtering

The data payload is retransmitted until a positive acknowledgment is received (or a timeout is exceeded). A retransmission is carried out either because the packet transmission itself failed, or because the piggy-backed acknowledgment transmitted in the return packet failed (note that the latter has a lower failure probability since the header is more heavily coded). In the latter case, the destination keeps receiving the same payload over and over again. In order to filter out the retransmissions in the destination, the SEQN bit is added in the header. Normally, this bit is alternated for every new CRC data payload transmission. In case of a retransmission, this bit is not changed. So the destination can compare the SEQN bit with the previous SEQN value. If different, a new data payload has arrived; otherwise it is the same data payload and can be discarded. Only new data payloads are transferred to the link manager. Note that CRC data payloads can be carried only by **DM**, **DH** or **DV** packets.

At the start of a new connection which may be the result of a page, page scan, master slave switch or unpair, the master sends a POLL packet to verify the connection. The slave responds with a packet. The SEQN bit of the first CRC data packet, on both the master and the slave sides, is set to 1. The subsequent packets use the rules given below.

The SEQN bit is affected only by the CRC data packets as shown in Figure 5.4. It is inverted every time a new CRC data packet is sent. The CRC data packet is retransmitted with the same SEQN number until an ACK is received or the packet is flushed. When an ACK is received, the SEQN bit is inverted and a new payload is sent. When the packet is flushed (see Section 5.3.3 on page 71), a new payload is sent. The SEQN bit is not necessarily inverted. However, if an ACK is received before the new packet is sent, the SEQN bit is inverted. This procedure prevents loss of the first packet of a message (after the **flush** command has been given) due to the retransmit filtering.

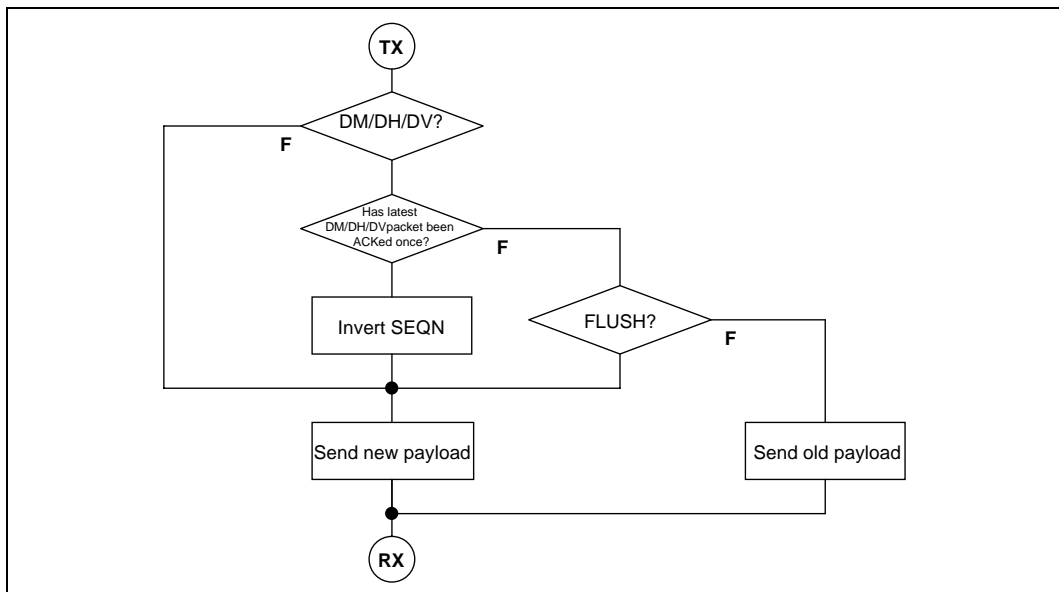


Figure 5.4: Retransmit filtering for packets with CRC.

The SEQN bit in the FHS packet is not meaningful. This bit can be set to any value. Contents of the SEQN bit in the FHS packet should not be checked. During transmission of all other packets the SEQN bit remains the same as it was in the previous packet.

Inactive connection modes HOLD and SNIFF do not affect the SEQN scheme. After return from these modes, packets will continue using values from before the start of hold/sniff modes.

### 5.3.3 Flushing payloads

The ARQ scheme can cause variable delay in the traffic flow since retransmissions are inserted to assure error-free data transfer. For certain communication

links, only a limited amount of delay is allowed: retransmissions are allowed up to a certain limit at which the current payload must be disregarded and the next payload must be considered. This data transfer is indicated as **isochronous traffic**. This means that the retransmit process must be overruled in order to continue with the next data payload. Aborting the retransmit scheme is accomplished by *flushing* the old data and forcing the Bluetooth controller to take the next data instead.

Flushing results in loss of remaining portions of an L2CAP message. Therefore, the packet following the flush will have a start packet indication of  $L\_CH = 10$  in the payload header for the next L2CAP message. This informs the destination of the flush. (see [Section 4.5](#)). Flushing will not necessarily result in a change in the SEQN bit value, see the previous section.

### 5.3.4 Multi-slave considerations

In case of a piconet with multiple slaves, the master carries out the ARQ protocol independently to each slave.

### 5.3.5 Broadcast packets

Broadcast packets are packets transmitted by the master to all the slaves simultaneously. A broadcast packet is indicated by the all-zero  $AM\_ADDR$  (note; the FHS packet is the only packet which may have an all-zero address but is not a broadcast packet). Broadcast packets are not acknowledged (at least not at the LC level).

Since broadcast messages are not acknowledged, each broadcast packet is repeated for a fixed number of times. A broadcast packet is repeated  $N_{BC}$  times before the next broadcast packet of the same broadcast message is repeated, see [Figure 5.5 on page 73](#).

Broadcast packets with a CRC have their own sequence number. The SEQN of the first broadcast packet with a CRC is set to  $SEQN = 1$  by the master and it is inverted for each new broadcast packet with CRC thereafter. Broadcast packets without a CRC have no influence on the sequence number. The slave accepts the SEQN of the first broadcast packet it receives in a connection and checks for change in SEQN for consequent broadcast packets. Since there is no acknowledgement of broadcast messages and there is no end packet indication, it is important to receive the start packets correctly. To ensure this, repetitions of the broadcast packets that are L2CAP start packets and LMP packets will not be filtered out. These packets are indicated by  $L\_CH=1X$  in the payload header as explained in [section 4.5 on page 62](#). Only repetitions of the L2CAP continuation packets will be filtered out.



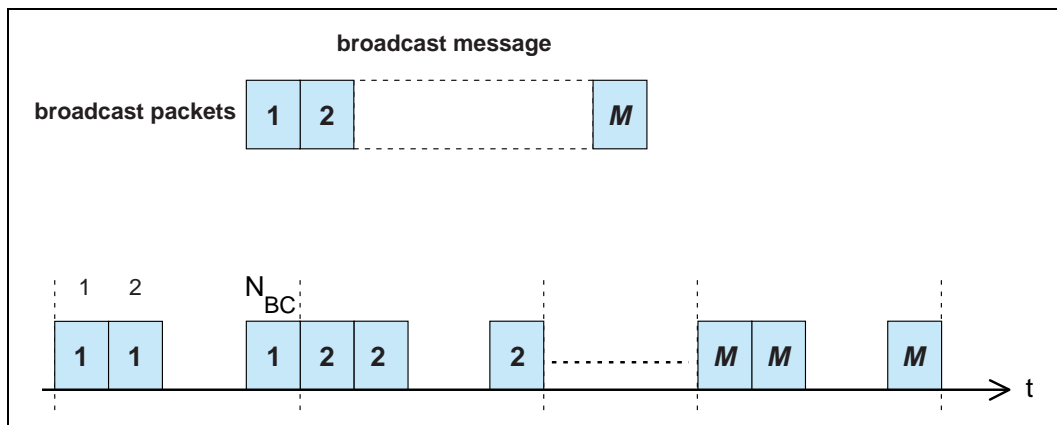


Figure 5.5: Broadcast repetition scheme

## 5.4 ERROR CHECKING

We can check the packet for errors or wrong delivery using the channel access code, the HEC in the header, and the CRC in the payload. At packet reception, first the access code is checked. Since the 64-bit sync word in the channel access code is derived from the 24-bit master LAP, this checks if the LAP is correct, and prevents the receiver from accepting a packet of another piconet.

The HEC and CRC are used to check both on errors and on a wrong address: to increase the address space with 8 bits, the UAP is normally included in the HEC and CRC checks. Then, even when a packet with the same access code – i.e., an access code of a device owning the same LAP but different UAP – passes the access code test, it will be discarded after the HEC and CRC tests when the UAP bits do not match. However, there is an exception where no common UAP is available in the transmitter and receiver. This is the case when the HEC and CRC are generated for the FHS packet in **inquiry response** state. In this case the default check initialization (DCI) value is used. The DCI is defined to be 0x00 (hexadecimal).

The generation and check of the HEC and CRC are summarized in [Figure 5.8 on page 75](#) and [Figure 5.11 on page 76](#). Before calculating the HEC or CRC, the shift registers in the HEC/CRC generators are initialized with the 8-bit UAP (or DCI) value. Then the header and payload information is shifted into the HEC and CRC generators, respectively (with the LSB first).

The HEC generating LFSR is depicted in [Figure 5.6 on page 74](#). The generator polynomial is  $g(D) = (D + 1)(D^7 + D^4 + D^3 + D^2 + 1) = D^8 + D^7 + D^5 + D^2 + D + 1$ . Initially this circuit is pre-loaded with the 8-bit UAP such that the LSB of the UAP (denoted  $UAP_0$ ) goes to the left-most shift register element, and,  $UAP_7$  goes to the right-most element. The initial state of the HEC LFSR is depicted in [Figure 5.7 on page 75](#). Then the data is shifted in with the switch S set in position 1. When the last data bit has been clocked into the LFSR, the switch S is set in position 2, and, the HEC can be read out from the register. The LFSR bits

are read out from right to left (i.e., the bit in position 7 is the first to be transmitted, followed by the bit in position 6, etc.).

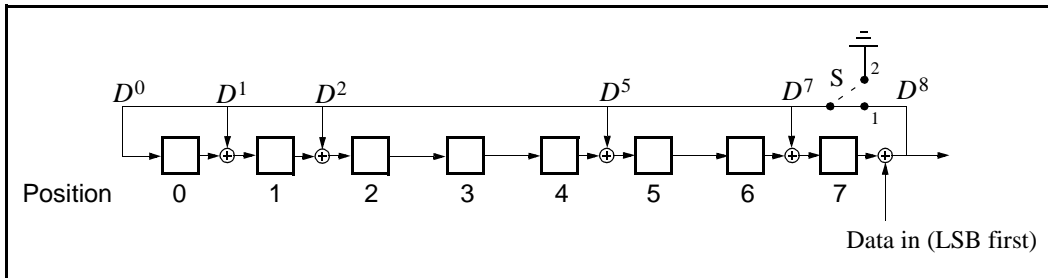


Figure 5.6: The LFSR circuit generating the HEC.

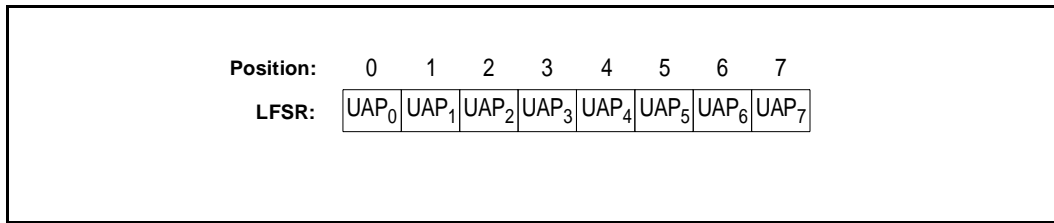


Figure 5.7: Initial state of the HEC generating circuit.

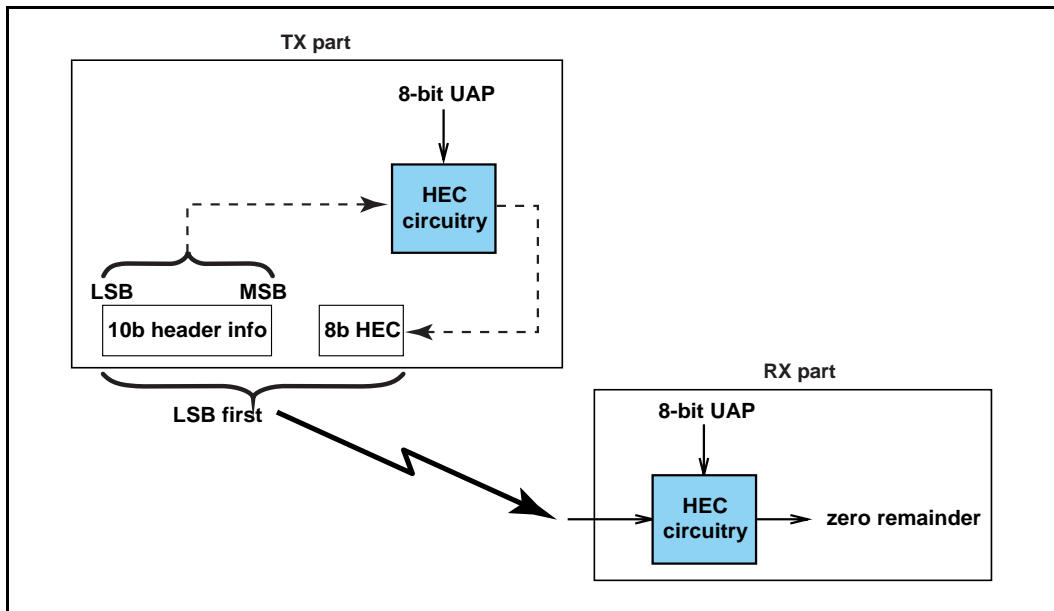


Figure 5.8: HEC generation and checking.

The 16 bit LFSR for the CRC is constructed similarly using the CRC-CCITT generator polynomial  $g(D) = D^{16} + D^{12} + D^5 + 1$  (see Figure 5.9 on page 75). For this case, the 8 left-most bits are initially loaded with the 8-bit UAP (UAP<sub>0</sub> to the left and UAP<sub>7</sub> to the right) while the 8 right-most bits are reset to zero. The initial state of the 16 bit LFSR is depicted in Figure 5.10 on page 76. The switch S is set in position 1 while the data is shifted in. After the last bit has entered the LFSR, the switch is set in position 2, and, the register's contents are transmitted, from right to left (i.e., starting with position 15, then position 14, etc.).

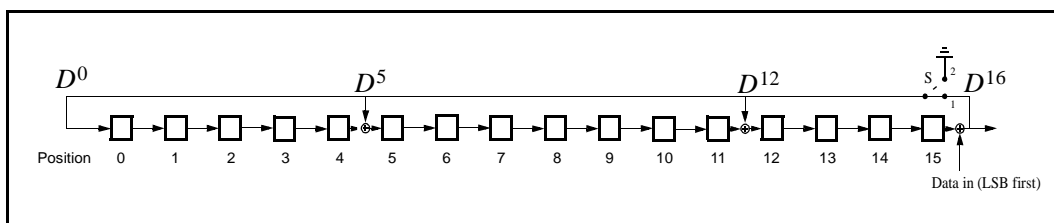


Figure 5.9: The LFSR circuit generating the CRC.

<b>Position:</b>	0	1	2	3	4	5	6	7	8	9	10	11	12	13	14	15
<b>LFSR:</b>	UAP <sub>0</sub>	UAP <sub>1</sub>	UAP <sub>2</sub>	UAP <sub>3</sub>	UAP <sub>4</sub>	UAP <sub>5</sub>	UAP <sub>6</sub>	UAP <sub>7</sub>	0	0	0	0	0	0	0	0

Figure 5.10: Initial state of the CRC generating circuit.

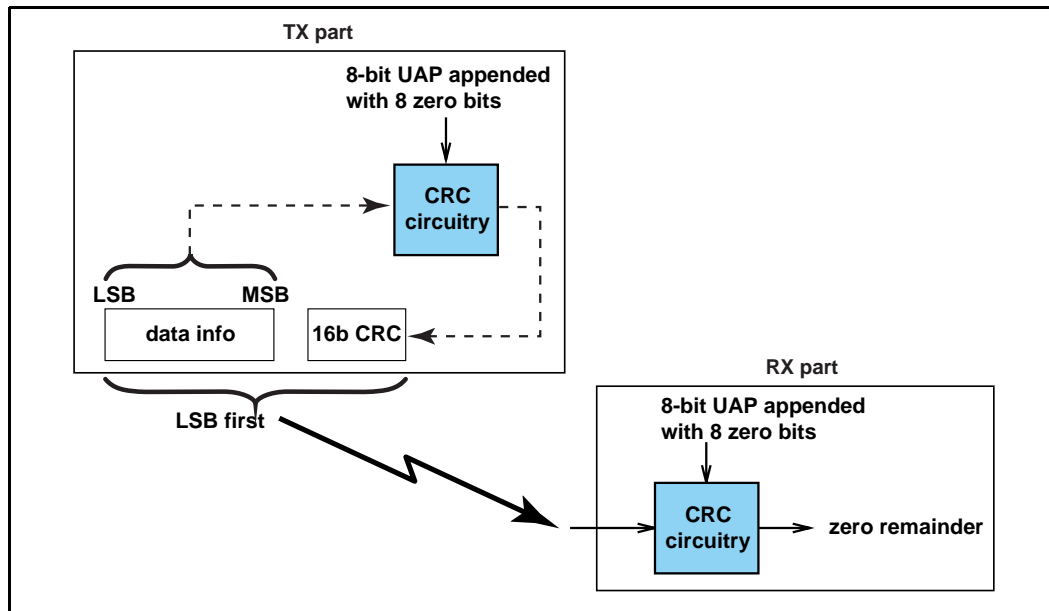


Figure 5.11: CRC generation and checking

## 6 LOGICAL CHANNELS

---

In the Bluetooth system, five logical channels are defined:

- LC control channel
- LM control channel
- UA user channel
- UI user channel
- US user channel

The control channels LC and LM are used at the link control level and link manager level, respectively. The user channels UA, UI, and US are used to carry asynchronous, isochronous, and synchronous user information, respectively. The LC channel is carried in the packet header; all other channels are carried in the packet payload. The LM, UA, and UI channels are indicated in the L\_CH field in the payload header. The US channel is carried by the SCO link only; the UA and UI channels are normally carried by the ACL link; however, they can also be carried by the data in the DV packet on the SCO link. The LM channel can be carried either by the SCO or the ACL link.

### 6.1 LC CHANNEL (Link Control)

The LC control channel is mapped onto the packet header. This channel carries low level link control information like ARQ, flow control, and payload characterization. The LC channel is carried in every packet except in the **ID** packet which has no packet header.

### 6.2 LM CHANNEL (Link Manager)

The LM control channel carries control information exchanged between the link managers of the master and the slave(s). Typically, the LM channel uses protected **DM** packets. The LM channel is indicated by the L\_CH code 11 in the payload header.

### 6.3 UA/UI CHANNEL (User Asynchronous/Isochronous Data)

The UA channel carries L2CAP transparent asynchronous user data. This data may be transmitted in one or more baseband packets. For fragmented messages, the start packet uses an L\_CH code of 10 in the payload header. Remaining continuation packets use L\_CH code 01. If there is no fragmentation, all packets use the L2CAP start code 10.

Isochronous data channel is supported by timing start packets properly at higher levels. At the baseband level, the L\_CH code usage is the same as the UA channel.

## **6.4 US CHANNEL (User Synchronous Data)**

The US channel carries transparent synchronous user data. This channel is carried over the SCO link.

## **6.5 CHANNEL MAPPING**

The LC channel is mapped onto the packet header. All other channels are mapped onto the payload. The US channel can only be mapped onto the SCO packets. All other channels are mapped on the ACL packets, or possibly the SCO **DV** packet. The LM, UA, and UI channels may interrupt the US channel if it concerns information of higher priority.







## 8 TRANSMIT/RECEIVE ROUTINES

This section describes the way to use the packets as defined in [Section 4](#) in order to support the traffic on the ACL and SCO links. Both single-slave and multi-slave configurations are considered. In addition, the use of buffers for the TX and RX routines are described.

*The TX and RX routines described in sections 8.1 and 8.2 are of an informative character only. The final implementation may be carried out differently.*

### 8.1 TX ROUTINE

The TX routine is carried out separately for each ACL link and each SCO link. [Figure 8.1 on page 81](#) shows the ACL and SCO buffers as used in the TX routine. In this figure, only a single TX ACL buffer and a single TX SCO buffer are shown. In the master, there is a separate TX ACL buffer for each slave. In addition there may be one or more TX SCO buffers for each SCO slave (different SCO links may either reuse the same TX SCO buffer, or each have their own TX SCO buffer). Each TX buffer consists of two FIFO registers: one **current** register which can be accessed and read by the Bluetooth controller in order to compose the packets, and one **next** register that can be accessed by the Bluetooth Link Manager to load new information. The positions of the switches S1 and S2 determine which register is current and which register is next; the switches are controlled by the Bluetooth Link Controller. The switches at the input and the output of the FIFO registers can never be connected to the same register simultaneously.

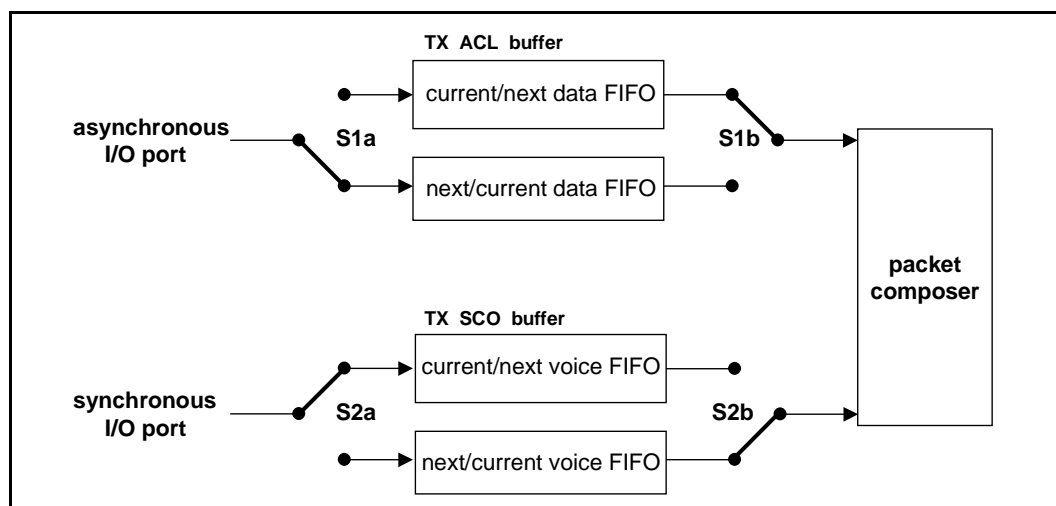


Figure 8.1: Functional diagram of TX buffering.

Of the packets common on the ACL and SCO links (**ID**, **NULL**, **POLL**, **FHS**, **DM1**) only the **DM1** packet carries a payload that is exchanged between the Link Controller and the Link Manager; this common packet makes use of the

ACL buffer. All ACL packets make use of the ACL buffer. All SCO packets make use of the SCO buffer except for the **DV** packet where the voice part is handled by the SCO buffer and the data part is handled by the ACL buffer. In the next sections, the operation for ACL traffic, SCO traffic, and combined data-voice traffic on the SCO link will be considered.

### 8.1.1 ACL traffic

In the case of pure (asynchronous) data, only the TX ACL buffer in [Figure 8.1 on page 81](#) has to be considered. In this case, only packet types **DM** or **DH** are used, and these can have different lengths. The length is indicated in the payload header. The selection of high-rate data or medium-rate data shall depend on the quality of the link. When the quality is good, the FEC in the data payload can be omitted, resulting in a **DH** packet. Otherwise, **DM** packets must be used.

The default TYPE in pure data traffic is **NULL**. This means that, if there is no data to be sent (the data traffic is asynchronous, and therefore pauses occur in which no data is available) or no slaves need to be polled, **NULL** packets are sent instead – in order to send link control information to the other Bluetooth unit (e.g. ACK/STOP information for received data). When no link control information is available either (no need to acknowledge and/or no need to stop the RX flow) no packet is sent at all.

The TX routine works as follows. The Bluetooth Link Manager loads new data information in the register to which the switch S1a points. Next, it gives a **flush** command to the Bluetooth Link Controller, which forces the switch S1 to change (both S1a and S1b switch in synchrony). When the payload needs to be sent, the packet composer reads the current register and, depending on the packet TYPE, builds a payload which is appended to the channel access code and the header and is subsequently transmitted. In the response packet (which arrives in the following RX slot if it concerned a master transmission, or may be postponed until some later RX slot if it concerned a slave transmission), the result of the transmission is reported back. In case of an ACK, the switch S1 changes position; if a NAK (explicit or implicit) is received instead, the switch S1 will not change position. In that case, the same payload is retransmitted at the next TX occasion.

As long as the Link Manager keeps loading the registers with new information, the Bluetooth Link Controller will automatically transmit the payload; in addition, retransmissions are performed automatically in case of errors. The Link Controller will send **NULL** or nothing when no new data is loaded. If no new data has been loaded in the **next** register, during the last transmission, the packet composer will be pointing to an empty register after the last transmission has been acknowledged and the **next** register becomes the **current** register. If new data is loaded in the **next** register, a **flush** command is required to switch the S1 switch to the proper register. As long as the Link Manager keeps loading the data and type registers before each TX slot, the data is automatically processed by the Link Controller since the S1 switch is controlled by the

ACK information received in response. However, if the traffic from the Link Manager is interrupted once and a default packet is sent instead, a **flush** command is required to continue the flow in the Link Controller.

The **flush** command can also be used in case of time-bounded (isochronous) data. In case of a bad link, many retransmission are necessary. In certain applications, the data is time-bounded: if a payload is retransmitted all the time because of link errors, it may become outdated, and the system might decide to continue with more recent data instead and skip the payload that does not come through. This is accomplished by the **flush** command as well. With the **flush**, the switch S1 is forced to change and the Link Controller is forced to consider the next data payload and overrules the ACK control.

### 8.1.2 SCO traffic

In case of an SCO link, we only use **HV** packet types. The synchronous port continuously loads the **next** register in the SCO buffer. The S2 switches are changed according to the  $T_{SCO}$  interval. This  $T_{SCO}$  interval is negotiated between the master and the slave at the time the SCO link is established.

For each new SCO slot, the packet composer reads the **current** register after which the S2 switch is changed. If the SCO slot has to be used to send control information with high priority concerning a control packet between the master and the considered SCO slave, or a control packet between the master and any other slave, the packet composer will discard the SCO information and use the control information instead. This control information must be sent in a DM1 packet. Data or link control information can also be exchanged between the master and the SCO slave by using the **DV** or **DM1** packets. Any ACL type of packet can be used to sent data or link control information to any other ACL slave. This is discussed next.

### 8.1.3 Mixed data/voice traffic

In [Section 4.4.2 on page 58](#), a **DV** packet has been defined that can support both data and voice simultaneously on a single SCO link. When the TYPE is **DV**, the Link Controller reads the data register to fill the data field and the voice register to fill the voice field. Thereafter, the switch S2 is changed. However, the position of S1 depends on the result of the transmission like on the ACL link: only if an ACK has been received will the S1 switch change its position. In each **DV** packet, the voice information is new, but the data information might be retransmitted if the previous transmission failed. If there is no data to be sent, the SCO link will automatically change from **DV** packet type to the current **HV** packet type used before the mixed data/voice transmission. Note that a **flush** command is required when the data stream has been interrupted and new data has arrived.

Combined data-voice transmission can also be accomplished by using separate ACL links in addition to the SCO link(s) if channel capacity permits this.

### 8.1.4 Default packet types

On the ACL links, the default type is always **NULL** both for the master and the slave. This means that if no user information needs to be send, either a **NULL** packet is sent if there is **ACK** or **STOP** information, or no packet is sent at all. The **NULL** packet can be used by the master to allocate the next slave-to-master slot to a certain slave (namely the one addressed). However, the slave is not forced to respond to the **NULL** packet from the master. If the master requires a response, it has to send a **POLL** packet.

The SCO packet type is negotiated at the LM level when the SCO link is established. The agreed packet type is also the default packet type for the SCO slots.

## 8.2 RX ROUTINE

The RX routine is carried out separately for the ACL link and the SCO link. However, in contrast to the master TX ACL buffer, a single RX buffer is shared among all slaves. For the SCO buffer, it depends how the different SCO links are distinguished whether extra SCO buffers are required or not. [Figure 8.2 on page 84](#) shows the ACL and SCO buffers as used in the RX routine. The RX ACL buffer consists of two FIFO registers: one register that can be accessed and loaded by the Bluetooth Link Controller with the payload of the latest RX packet, and one register that can be accessed by the Bluetooth Link Manager to read the previous payload. The RX SCO buffer also consists of two FIFO registers: one register which is filled with newly arrived voice information, and one register which can be read by the voice processing unit.

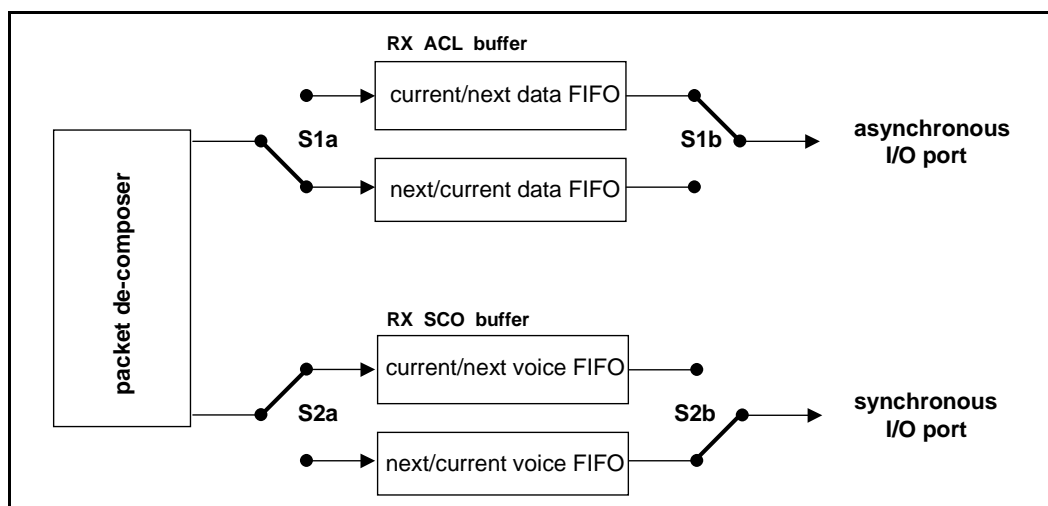


Figure 8.2: Functional diagram of RX buffering

Since the TYPE indication in the header of the received packet indicates whether the payload contains data and/or voice, the packet de-composer can automatically direct the traffic to the proper buffers. The switch S1 changes

every time the Link Manager has read the old register. If the next payload arrives before the RX register is emptied, a STOP indication must be included in the packet header of the next TX packet that is returned. The STOP indication is removed again as soon as the RX register is emptied. The SEQN field is checked before a new ACL payload is stored into the ACL register (flush indication in L\_CH and broadcast messages influence the interpretation of the SEQN field see [Section 5.3 on page 68](#)).

The S2 switch is changed every  $T_{SCO}$ . If – due to errors in the header – no new voice payload arrives, the switch still changes. The voice processing unit then has to process the voice signal to account for the missing speech parts.

## 8.3 FLOW CONTROL

Since the RX ACL buffer can be full while a new payload arrives, flow control is required. As was mentioned earlier, the header field FLOW in the return TX packet can use STOP or GO in order to control the transmission of new data.

### 8.3.1 Destination control

As long as data cannot be received, a STOP indication is transmitted which is automatically inserted by the Link Controller into the header of the return packet. STOP is returned as long as the RX ACL buffer is not emptied by the Link Manager. When new data can be accepted again, the GO indication is returned. GO is the default value. Note that all packet types not including data can still be received. Voice communication for example is not affected by the flow control. Also note that although a Bluetooth unit cannot receive new information, it can still continue to transmit information: the flow control is separate for each direction.

### 8.3.2 Source control

On the reception of a STOP signal, the Link Controller will automatically switch to the default packet type. The current TX ACL buffer status is frozen. Default packets are sent as long as the STOP indication is received. When no packet is received, GO is assumed implicitly. Note that the default packets contain link control information (in the header) for the receive direction (which may still be open) and may contain voice (**HV** packets). When a GO indication is received, the Link Controller resumes to transmit the data as is present in the TX ACL buffers.

In a multi-slave configuration, only the transmission to the slave that issued the STOP signal is stalled. This means that the previously described routine implemented in the master only concerns the TX ACL buffer that corresponds to the slave that cannot accept data momentarily.

### 8.4 BITSTREAM PROCESSES

Before the user information is sent over the air interface, several bit manipulations are performed in the transmitter to increase reliability and security. To the packet header, an HEC is added, the header bits are scrambled with a whitening word, and FEC coding is applied. In the receiver, the inverse processes are carried out. [Figure 8.3 on page 86](#) shows the processes carried out for the packet header both at the transmit and the receive side. All header bit processes are mandatory.

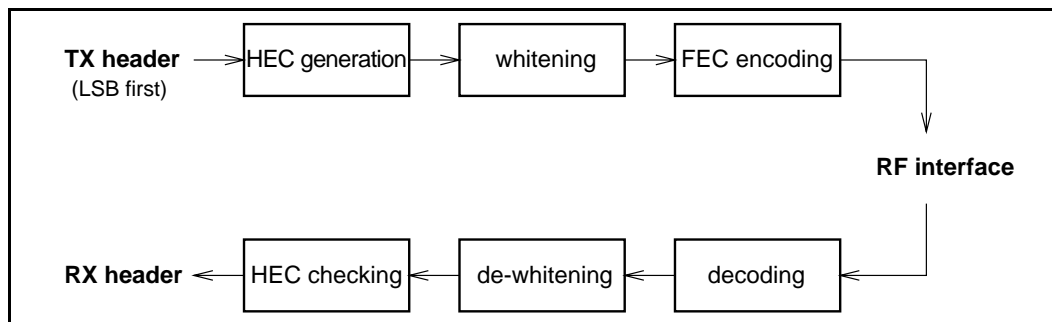


Figure 8.3: Header bit processes.

For the payload, similar processes are performed. It depends on the packet type, which processes are carried out. [Figure 8.4 on page 86](#) shows the processes that may be carried out on the payload. In addition to the processes defined for the packet header, encryption can be applied on the payload. Only whitening and de-whitening, as explained in [Section 7 on page 79](#), are mandatory for every payload; all other processes are optional and depend on the packet type and the mode enabled. In [Figure 8.4 on page 86](#), optional processes are indicated by dashed blocks.

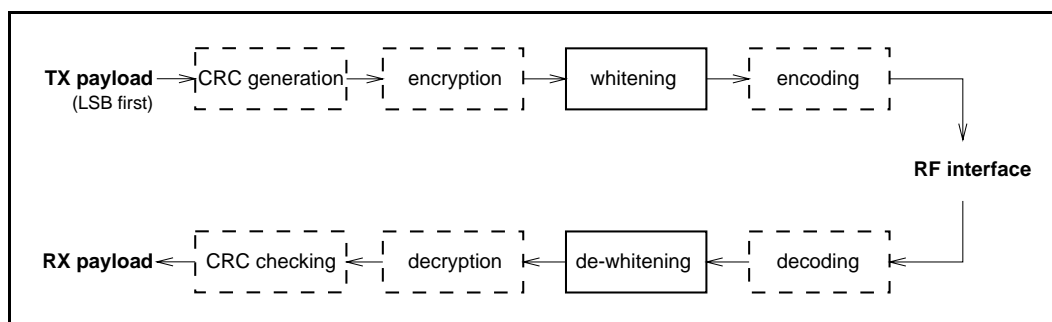


Figure 8.4: Payload bit processes.

## 9 TRANSMIT/RECEIVE TIMING

The Bluetooth transceiver applies a time-division duplex (TDD) scheme. This means that it alternately transmits and receives in a synchronous manner. It depends on the mode of the Bluetooth unit what the exact timing of the TDD scheme is. In the normal connection mode, *the master transmission shall always start at even numbered time slots (master CLK1=0) and the slave transmission shall always start at odd numbered time slots (master CLK1=1)*. Due to packet types that cover more than a single slot, master transmission may continue in odd numbered slots and slave transmission may continue in even numbered slots.

All timing diagrams shown in this chapter are based on the signals as present at the antenna. The term “exact” when used to describe timing refers to an ideal transmission or reception and neglects timing jitter and clock frequency imperfections.

The average timing of master packet transmission must not drift faster than 20 ppm relative to the ideal slot timing of 625  $\mu\text{s}$ . The instantaneous timing must not deviate more than 1  $\mu\text{s}$  from the average timing. Thus, the absolute packet transmission timing  $t_k$  of slot boundary  $k$  must fulfill the equation:

$$t_k = \left( \sum_{i=1}^k (1 + d_i) T_N \right) + j_k + \text{offset}, \quad (\text{EQ 1})$$

where  $T_N$  is the nominal slot length (625  $\mu\text{s}$ ),  $j_k$  denotes jitter ( $|j_k| \leq 1 \mu\text{s}$ ) at slot boundary  $k$ , and,  $d_k$ , denotes the drift ( $|d_k| \leq 20 \text{ ppm}$ ) within slot  $k$ . The jitter and drift may vary arbitrarily within the given limits for every slot, while “offset” is an arbitrary but fixed constant. For hold, park and sniff mode the drift and jitter parameters as described in [Link Manager Protocol Section 3.9 on page 203](#) apply.

### 9.1 MASTER/SLAVE TIMING SYNCHRONIZATION

The piconet is synchronized by the system clock of the master. The master never adjusts its system clock during the existence of the piconet: it keeps an exact interval of  $M \times 625 \mu\text{s}$  (where  $M$  is an even, positive integer larger than 0) between consecutive transmissions. The slaves adapt their native clocks with a timing offset in order to match the master clock. This offset is updated each time a packet is received from the master: by comparing the exact RX timing of the received packet with the estimated RX timing, the slaves correct the offset for any timing misalignments. Note that the slave RX timing can be corrected with any packet sent in the master-to-slave slot, since only the channel access code is required to synchronize the slave.

The slave TX timing shall be based on the most recent slave RX timing. The RX timing is based on the latest successful trigger during a master-to-slave slot. For ACL links, this trigger must have occurred in the master-to-slave slot directly pre-

ceding the current slave transmission; for SCO links, the trigger may have occurred several master-to-slave slots before since a slave is allowed to send an SCO packet even if no packet was received in the preceding master-to-slave slot. The slave shall be able to receive the packets and adjust the RX timing as long as the timing mismatch remains within the  $\pm 10 \mu\text{s}$  uncertainty window.

The master TX timing is strictly related to the master clock. The master shall keep an exact interval of  $M \times 1250 \mu\text{s}$  (where M is a positive integer larger than 0) between the start of successive transmissions; the RX timing is based on this TX timing with a shift of exactly  $N \times 625 \mu\text{s}$  (where N is an odd, positive integer larger than 0). During the master RX cycle, the master will also use the  $\pm 10 \mu\text{s}$  uncertainty window to allow for slave misalignments. The master will adjust the RX processing of the considered packet accordingly, but will **not** adjust its RX/TX timing for the following TX and RX cycles.

Timing behaviour may differ slightly depending on the current state of the unit. The different states are described in the next sections.

## 9.2 CONNECTION STATE

In the connection mode, the Bluetooth transceiver transmits and receives alternately, see [Figure 9.1 on page 88](#) and [Figure 9.2 on page 89](#). In the figures, only single-slot packets are shown as an example. Depending on the type and the payload length, the packet size can be up to  $366 \mu\text{s}$ . Each RX and TX transmission is at a different hop frequency. For multi-slot packets, several slots are covered by the same packet, and the hop frequency used in the first slot will be used throughout the transmission.

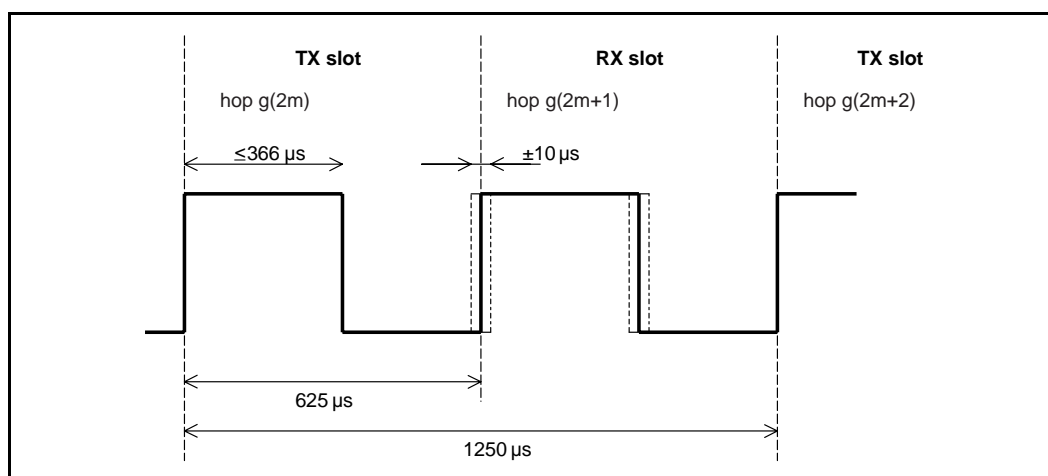


Figure 9.1: RX/TX cycle of Bluetooth master transceiver in normal mode for single-slot packets.



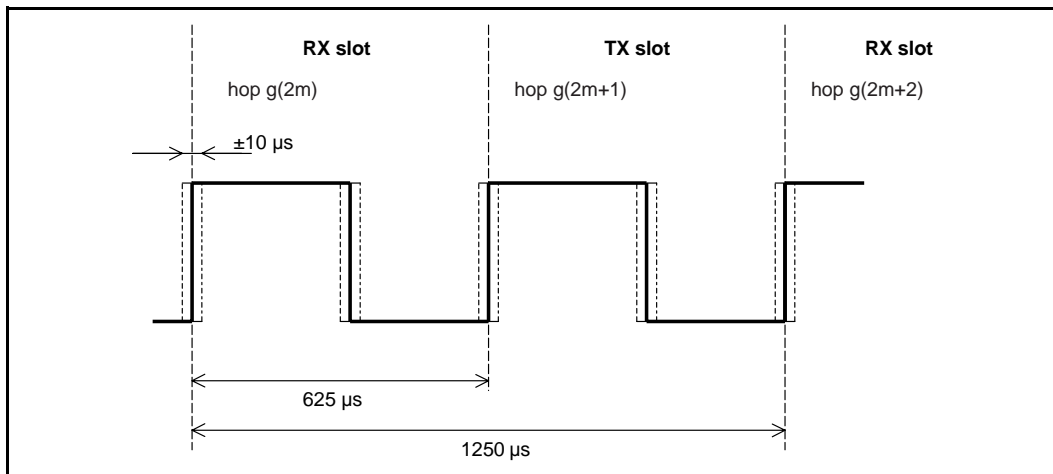


Figure 9.2: RX/TX cycle of Bluetooth slave transceiver in normal mode for single-slot packets.

The master TX/RX timing is shown in [Figure 9.1 on page 88](#). In figures 9.1 through 9.6,  $f(k)$  is used for the frequencies of the page hopping sequence and  $f'(k)$  denotes the corresponding page response sequence frequencies. The channel hopping frequencies are indicated by  $g(m)$ . After transmission, a return packet is expected  $N \times 625 \mu\text{s}$  after the start of the TX burst where  $N$  is an odd, positive integer.  $N$  depends on the type of the transmitted packet. To allow for some time slipping, an uncertainty window is defined around the exact receive timing. During normal operation, the window length is  $20 \mu\text{s}$ , which allows the RX burst to arrive up to  $10 \mu\text{s}$  too early or  $10 \mu\text{s}$  too late. During the beginning of the RX cycle, the access correlator searches for the correct channel access code over the uncertainty window. If no trigger event occurs, the receiver goes to sleep until the next RX event. If in the course of the search, it becomes apparent that the correlation output will never exceed the final threshold, the receiver may go to sleep earlier. If a trigger event does occur, the receiver remains open to receive the rest of the packet.

The current master transmission is based on the previous master transmission: it is scheduled  $M \times 1250 \mu\text{s}$  after the start of the previous master TX burst where  $M$  depends on the transmitted and received packet type. Note that the master TX timing is not affected by time drifts in the slave(s). If no transmission takes place during a number of consecutive slots, the master will take the TX timing of the latest TX burst as reference.

The slave's transmission is scheduled  $N \times 625 \mu\text{s}$  after the start of the slave's RX burst. If the slave's RX timing drifts, so will its TX timing. If no reception takes place during a number of consecutive slots, the slave will take the RX timing of the latest RX burst as reference.

### 9.3 RETURN FROM HOLD MODE

In the connection state, the Bluetooth unit can be placed in a **hold** mode, see [Section 10.8 on page 112](#). In the **hold** mode, a Bluetooth transceiver neither transmits nor receives information. When returning to the normal operation after a **hold** mode in a slave Bluetooth unit, the slave must listen for the master before it may send information. In that case, the search window in the slave unit may be increased from  $\pm 10 \mu\text{s}$  to a larger value  $X \mu\text{s}$  as illustrated in [Figure 9.3 on page 90](#). Note that only RX hop frequencies are used: the hop frequency used in the master-to-slave (RX) slot is also used in the uncertainty window extended into the preceding time interval normally used for the slave-to-master (TX) slot.

If the search window exceeds  $625 \mu\text{s}$ , consecutive windows shall not be centered at the start of RX hops  $g(2m)$ ,  $g(2m+2)$ , ...  $g(2m+2i)$  (where 'i' is an integer), but at  $g(2m)$ ,  $g(2m+4)$ , ...  $g(2m+4i)$ , or even at  $g(2m)$ ,  $g(2m+6)$ , ...  $g(2m+6i)$  etc. to avoid overlapping search windows. The RX hop frequencies used shall correspond to the RX slot numbers.

It is recommended that single slot packets are used upon return from hold to minimize the synchronization time, especially after long hold periods that require search windows exceeding  $625 \mu\text{s}$ .

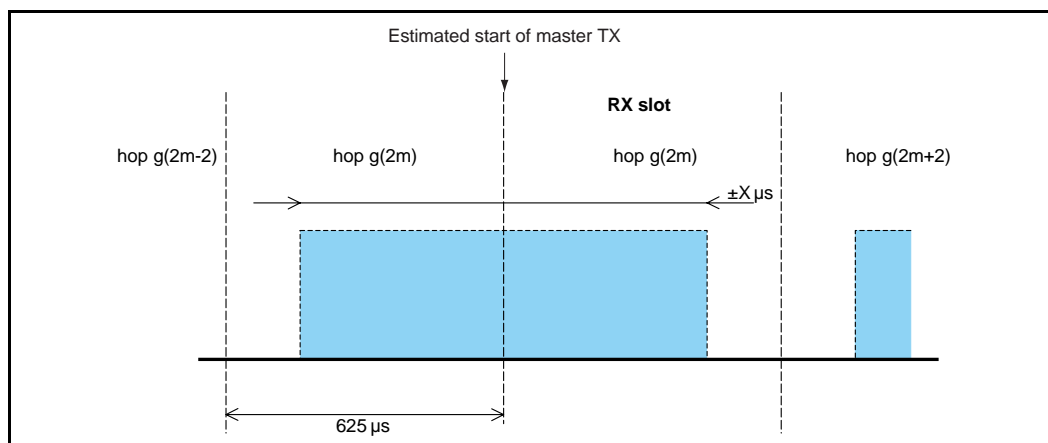


Figure 9.3: RX timing of slave returning from hold state.

### 9.4 PARK MODE WAKE-UP

The **park** mode is similar to the **hold** mode. A parked slave periodically wakes up to listen to beacons from the master and to re-synchronize its clock offset. As in the return from hold mode, a parked slave when waking up may increase the search window from  $\pm 10 \mu\text{s}$  to a larger value  $X \mu\text{s}$  as illustrated in [Figure 9.3 on page 90](#).

## 9.5 PAGE STATE

In the page state, the master transmits the device access code (ID packet) corresponding to the slave to be connected, rapidly on a large number of different hop frequencies. Since the ID packet is a very short packet, the hop rate can be increased from 1600 hops/s to 3200 hops/s. In a single TX slot interval, the paging master transmits on two different hop frequencies. In a single RX slot interval, the paging transceiver listens on two different hop frequencies; see [Figure 9.4 on page 91](#). During the TX slot, the paging unit sends an ID packet at the TX hop frequencies  $f(k)$  and  $f(k+1)$ . In the RX slot, it listens for a response on the corresponding RX hop frequencies  $f'(k)$  and  $f'(k+1)$ . The listening periods are exactly timed 625  $\mu\text{s}$  after the corresponding paging packets, and include a  $\pm 10 \mu\text{s}$  uncertainty window.

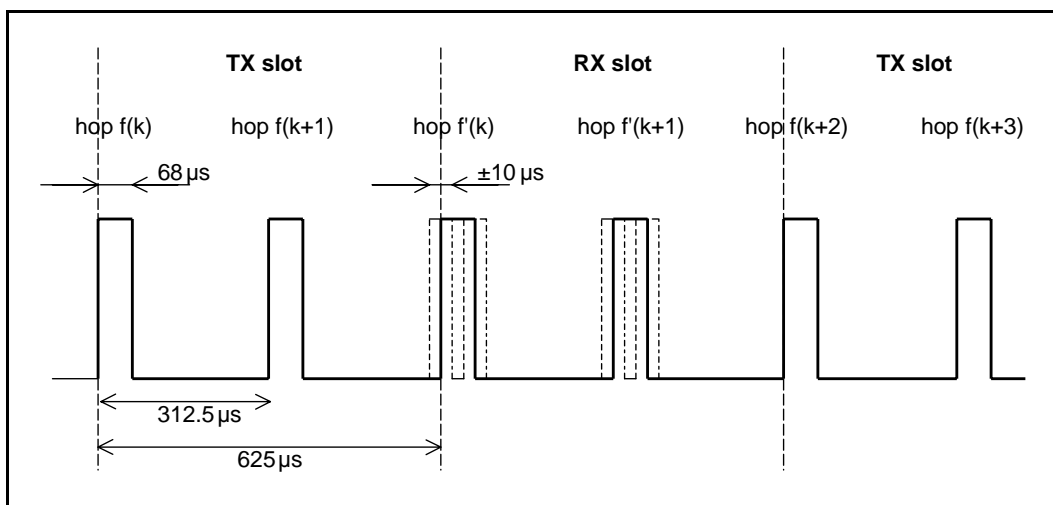


Figure 9.4: RX/TX cycle of Bluetooth transceiver in PAGE mode.

## 9.6 FHS PACKET

At connection setup and during a master-slave switch, an **FHS** packet is transferred from the master to the slave. This packet will establish the timing and frequency synchronization (see also [Section 4.4.1.4 on page 56](#)). After the slave unit has received the page message, it will return a response message which again consists of the ID packet and follows exactly 625  $\mu\text{s}$  after the receipt of the page message. The master will send the FHS packet in the TX slot following the RX slot in which it received the slave response, according to the RX/TX timing of the master. The time difference between the response and **FHS** message will depend on the timing of the page message the slave received. In [Figure 9.5 on page 92](#), the slave receives the paging message sent **first** in the master-to-slave slot. It will then respond with an ID packet in the first half of the slave-to-master slot. The timing of the **FHS** packet is based on the timing of the page message sent first in the preceding master-to-slave slot: there is an exact 1250  $\mu\text{s}$  delay between the first page message and the **FHS** packet. The packet is sent at the hop frequency  $f(k+1)$  which is the hop frequency following the hop frequency  $f(k)$  the page message was received in. In [Figure 9.6 on page 92](#), the slave receives the paging message sent **secondly** in the master-to-slave slot. It will then respond with an ID packet in the

second half of the slave-to-master slot exactly 625  $\mu\text{s}$  after the receipt of the page message. The timing of the **FHS** packet is still based on the timing of the page message sent **first** in the preceding master-to-slave slot: there is an exact 1250  $\mu\text{s}$  delay between the **first** page message and the **FHS** packet. The packet is sent at the hop frequency  $f(k+2)$  which is the hop frequency following the hop frequency  $f(k+1)$  the page message was received in.

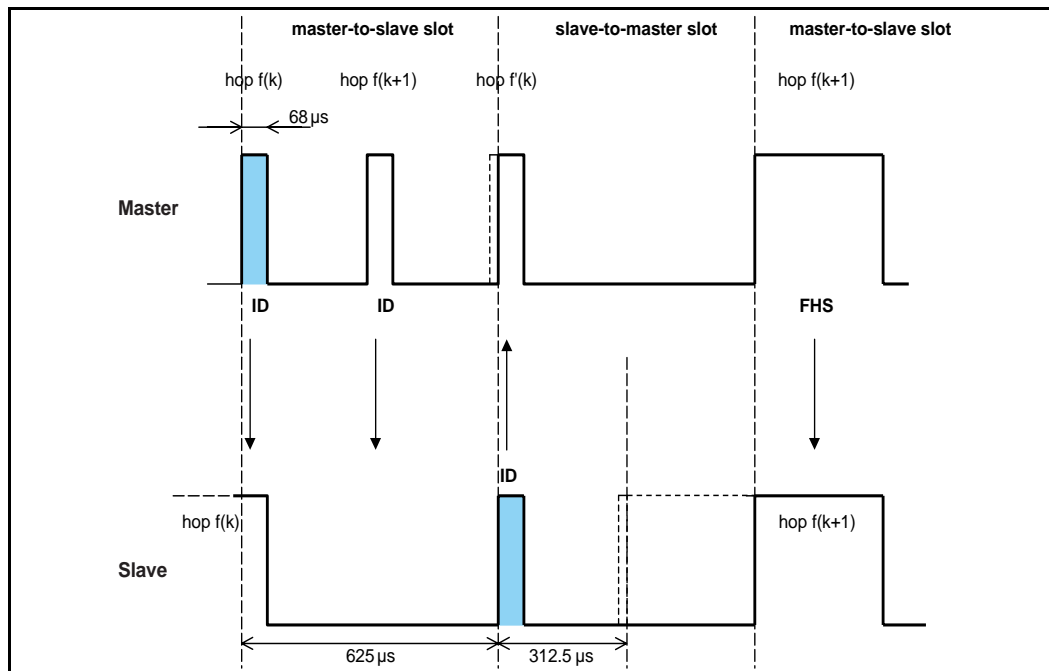


Figure 9.5: Timing of FHS packet on successful page in first half slot.

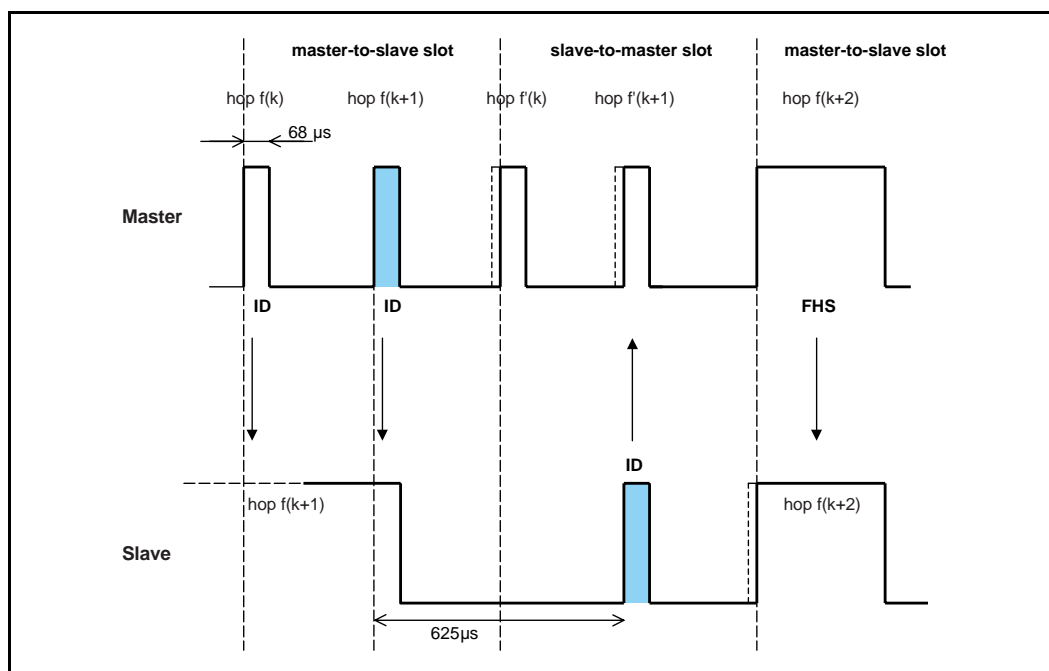


Figure 9.6: Timing of FHS packet on successful page in second half slot.

The slave will adjust its RX/TX timing according to the reception of the **FHS** packet (and not according to the reception of the page message). That is, the second response message that acknowledges the reception of the FHS packet is transmitted 625  $\mu$ s after the start of the **FHS** packet.

### 9.7 MULTI-SLAVE OPERATION

As was mentioned in the beginning of this chapter, the master always starts the transmission in the even-numbered slots whereas the slaves start their transmission in the odd-numbered slots. This means that the timing of the master and the slave(s) is shifted by one slot (625  $\mu$ s), see [Figure 9.7 on page 93](#).

Only the slave that is addressed by its AM\_ADDR can return a packet in the next slave-to-master slot. If no valid AM\_ADDR is received, the slave may only respond if it concerns its reserved SCO slave-to-master slot. In case of a broadcast message, no slave is allowed to return a packet (an exception is found in the access window for access requests in the park mode, see [Section 10.8.4 on page 115](#)).

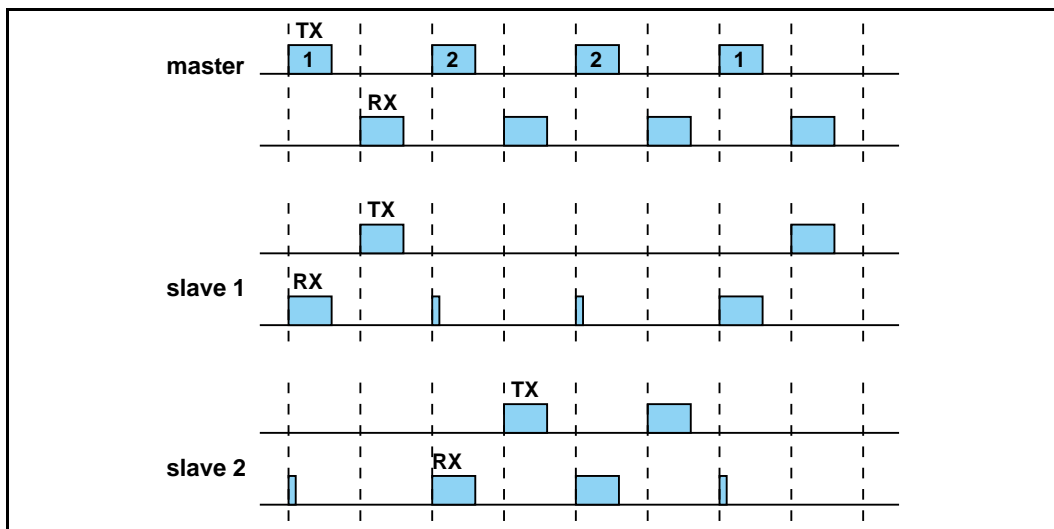


Figure 9.7: RX/TX timing in multi-slave configuration



## 10 CHANNEL CONTROL

---

### 10.1 SCOPE

This section describes how the channel of a piconet is established and how units can be added to and released from the piconet. Several states of operation of the Bluetooth units are defined to support these functions. In addition, the operation of several piconets sharing the same area, the so-called scatternet, is discussed. A special section is attributed to the Bluetooth clock which plays a major role in the FH synchronization.

### 10.2 MASTER-SLAVE DEFINITION

The channel in the piconet is characterized entirely by the master of the piconet. The Bluetooth device address (BD\_ADDR) of the master determines the FH hopping sequence and the channel access code; the system clock of the master determines the phase in the hopping sequence and sets the timing. In addition, the master controls the traffic on the channel by a polling scheme.

By definition, the **master** is represented by the Bluetooth unit that initiates the connection (to one or more **slave** units). Note that the names 'master' and 'slave' only refer to the protocol on the channel: the Bluetooth units themselves are identical; that is, any unit can become a master of a piconet. Once a piconet has been established, master-slave roles can be exchanged. This is described in more detail in [Section 10.9.3 on page 123](#).

### 10.3 BLUETOOTH CLOCK

Every Bluetooth unit has an internal system clock which determines the timing and hopping of the transceiver. The Bluetooth clock is derived from a free running native clock which is never adjusted and is never turned off. For synchronization with other units, only offsets are used that, added to the native clock, provide temporary Bluetooth clocks which are mutually synchronized. It should be noted that the Bluetooth clock has no relation to the time of day; it can therefore be initialized at any value. The Bluetooth clock provides the heart beat of the Bluetooth transceiver. Its resolution is at least half the TX or RX slot length, or 312.5  $\mu$ s. The clock has a cycle of about a day. If the clock is implemented with a counter, a 28-bit counter is required that wraps around at  $2^{28}-1$ . The LSB ticks in units of 312.5  $\mu$ s, giving a clock rate of 3.2 kHz.

The timing and the frequency hopping on the channel of a piconet is determined by the Bluetooth clock of the master. When the piconet is established, the master clock is communicated to the slaves. Each slave adds an offset to its native clock to be synchronized to the master clock. Since the clocks are free-running, the offsets have to be updated regularly.

The clock determines critical periods and triggers the events in the Bluetooth receiver. Four periods are important in the Bluetooth system: 312.5  $\mu$ s, 625  $\mu$ s, 1.25 ms, and 1.28 s; these periods correspond to the timer bits CLK<sub>0</sub>, CLK<sub>1</sub>, CLK<sub>2</sub>, and CLK<sub>12</sub>, respectively, see [Figure 10.1 on page 96](#). Master-to-slave transmission starts at the even-numbered slots when CLK<sub>0</sub> and CLK<sub>1</sub> are both zero.

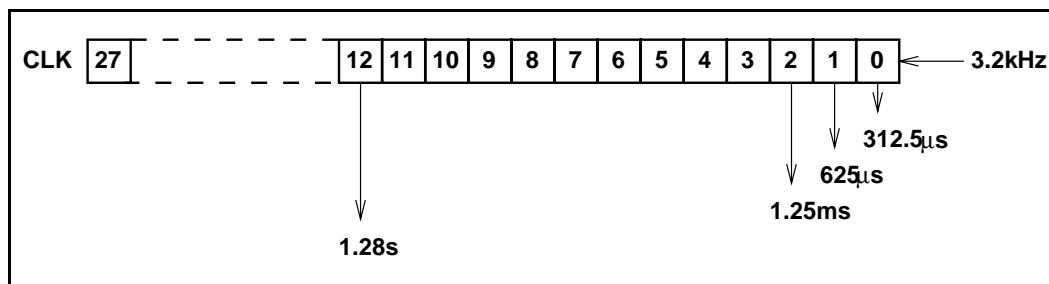


Figure 10.1: Bluetooth clock.

In the different modes and states a Bluetooth unit can reside in, the clock has different appearances:

- CLKN native clock
- CLKE estimated clock
- CLK master clock

CLKN is the free-running native clock and is the reference to all other clock appearances. In states with high activity, the native clock is driven by the reference crystal oscillator with worst case accuracy of +/-20ppm. In the low power states, like **STANDBY, HOLD, PARK**, the native clock may be driven by a low power oscillator (LPO) with relaxed accuracy (+/-250ppm).

CLKE and CLK are derived from the reference CLKN by adding an offset. CLKE is a clock estimate a paging unit makes of the native clock of the recipient; i.e. an offset is added to the CLKN of the pager to approximate the CLKN of the recipient, see [Figure 10.2 on page 97](#). By using the CLKN of the recipient, the pager speeds up the connection establishment.

CLK is the master clock of the piconet. It is used for all timing and scheduling activities in the piconet. All Bluetooth devices use the CLK to schedule their transmission and reception. The CLK is derived from the native clock CLKN by adding an offset, see [Figure 10.3 on page 97](#). The offset is zero for the master since CLK is identical to its own native clock CLKN. Each slave adds an appropriate offset to its CLKN such that the CLK corresponds to the CLKN of the master. Although all CLKNs in the Bluetooth devices run at the same nominal rate, mutual drift causes inaccuracies in CLK. Therefore, the offsets in the slaves must be regularly updated such that CLK is approximately CLKN of the master.



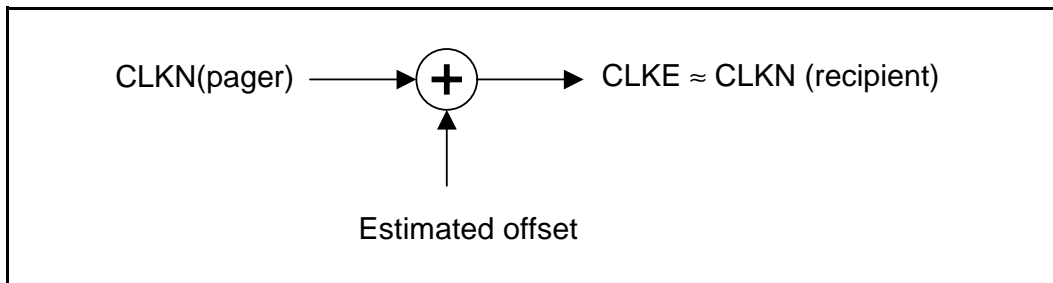


Figure 10.2: Derivation of CLKE

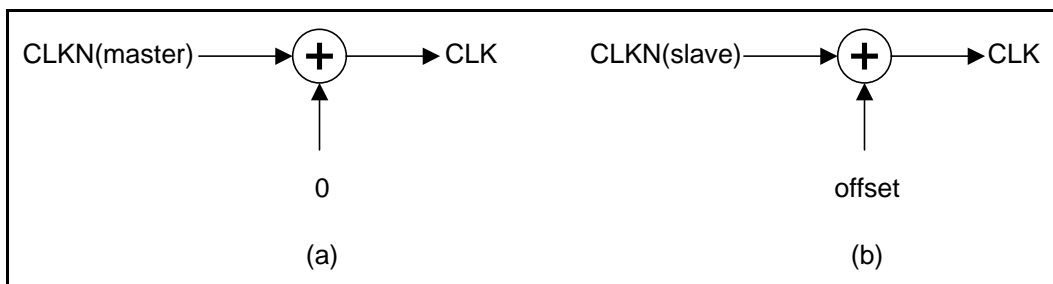


Figure 10.3: Derivation of CLK in master (a) and in slave (b).

## 10.4 OVERVIEW OF STATES

Figure 10.4 on page 98 shows a state diagram illustrating the different states used in the Bluetooth link controller. There are two major states: **STANDBY** and **CONNECTION**; in addition, there are seven substates, **page**, **page scan**, **inquiry**, **inquiry scan**, **master response**, **slave response**, and **inquiry response**. The substates are interim states that are used to add new slaves to a piconet. To move from one state to the other, either commands from the Bluetooth link manager are used, or internal signals in the link controller are used (such as the trigger signal from the correlator and the timeout signals).

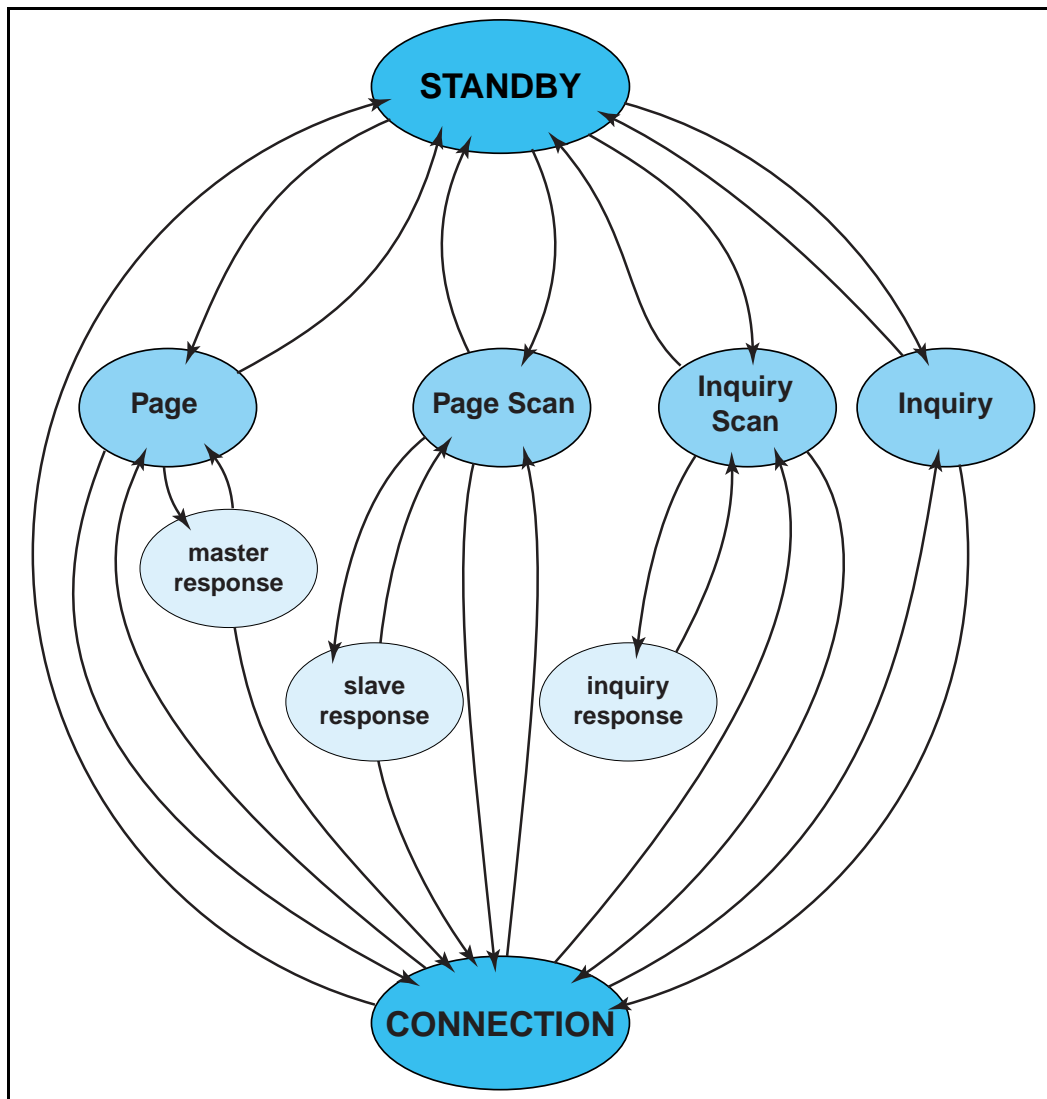


Figure 10.4: State diagram of Bluetooth link controller.

## 10.5 STANDBY STATE

The **STANDBY** state is the default state in the Bluetooth unit. In this state, the Bluetooth unit is in a low-power mode. Only the native clock is running at the accuracy of the LPO (or better).

The controller may leave the **STANDBY** state to scan for page or inquiry messages, or to page or inquiry itself. When responding to a page message, the unit will not return to the **STANDBY** state but enter the **CONNECTION** state as a slave. When carrying out a successful page attempt, the unit will enter the **CONNECTION** state as a master. The intervals with which scan activities can be carried out are discussed in [Section 10.6.2 on page 99](#) and [Section 10.7.2 on page 109](#).

## 10.6 ACCESS PROCEDURES

### 10.6.1 General

In order to establish new connections the procedures inquiry and paging are used. The inquiry procedure enables a unit to discover which units are in range, and what their device addresses and clocks are. With the paging procedure, an actual connection can be established. Only the Bluetooth device address is required to set up a connection. Knowledge about the clock will accelerate the setup procedure. A unit that establishes a connection will carry out a page procedure and will automatically be the master of the connection.

In the paging and inquiry procedures, the device access code (DAC) and the inquiry access code (IAC) are used, respectively. A unit in the **page scan** or **inquiry scan** substate correlates against these respective access codes with a matching correlator.

For the paging process, several paging schemes can be applied. There is one mandatory paging scheme which has to be supported by each Bluetooth device. This mandatory scheme is used when units meet for the first time, and in case the paging process directly follows the inquiry process. Two units, once connected using a mandatory paging/scanning scheme, may agree on an optional paging/scanning scheme. Optional paging schemes are discussed in “Appendix VII” on page 999. In the current chapter, only the mandatory paging scheme is considered.

### 10.6.2 Page scan

In the **page scan** substate, a unit listens for its own device access code for the duration of the scan window  $T_{w \text{ page scan}}$ . During the scan window, the unit listens at a single hop frequency, its correlator matched to its device access code. The scan window shall be long enough to completely scan 16 page frequencies.

When a unit enters the **page scan** substate, it selects the scan frequency according to the page hopping sequence corresponding to this unit, see [Section 11.3.1 on page 135](#). This is a 32-hop sequence (or a 16-hop sequence in case of a reduced-hop system) in which each hop frequency is unique. The page hopping sequence is determined by the unit's Bluetooth device address (BD\_ADDR). The phase in the sequence is determined by  $CLKN_{16-12}$  of the unit's native clock ( $CLKN_{15-12}$  in case of a reduced-hop system); that is, every 1.28s a different frequency is selected.

If the correlator exceeds the trigger threshold during the **page scan**, the unit will enter the **slave response** substate, which is described in [Section 10.6.4.1 on page 105](#).

The **page scan** substate can be entered from the **STANDBY** state or the **CONNECTION** state. In the **STANDBY** state, no connection has been established and the unit can use all the capacity to carry out the **page scan**. Before entering the **page scan** substate from the **CONNECTION** state, the unit preferably reserves as much capacity for scanning. If desired, the unit may place ACL connections in the HOLD mode or even use the PARK mode, see [Section 10.8.3 on page 114](#) and [Section 10.8.4 on page 115](#). SCO connections are preferably not interrupted by the **page scan**. In this case, the **page scan** may be interrupted by the reserved SCO slots which have higher priority than the **page scan**. SCO packets should be used requiring the least amount of capacity (**HV3** packets). The scan window shall be increased to minimize the setup delay. If one SCO link is present using **HV3** packets and  $T_{SCO}=6$  slots, a total scan window  $T_{w \text{ page scan}}$  of at least 36 slots (22.5ms) is recommended; if two SCO links are present using **HV3** packets and  $T_{SCO}=6$  slots, a total scan window of at least 54 slots (33.75ms) is recommended.

The scan interval  $T_{\text{page scan}}$  is defined as the interval between the beginnings of two consecutive page scans. A distinction is made between the case where the scan interval is equal to the scan window  $T_{w \text{ page scan}}$  (continuous scan), the scan interval is maximal 1.28s, or the scan interval is maximal 2.56s. These three cases determine the behavior of the paging unit; that is, whether the paging unit shall use R0, R1 or R2, see also [Section 10.6.3 on page 101](#). [Table 10.1](#) illustrates the relationship between  $T_{\text{page scan}}$  and modes R0, R1 and R2. Although scanning in the R0 mode is continuous, the scanning may be interrupted by for example reserved SCO slots. The scan interval information is included in the SR field in the FHS packet.

During page scan the Bluetooth unit may choose to use an optional scanning scheme. (An exception is the page scan after returning an inquiry response message. See [Section 10.7.4 on page 111](#) for details.)

SR mode	$T_{\text{page scan}}$	$N_{\text{page}}$
R0	continuous	$\geq 1$
R1	$\leq 1.28\text{s}$	$\geq 128$
R2	$\leq 2.56\text{s}$	$\geq 256$
Reserved	-	-

Table 10.1: Relationship between scan interval, train repetition, and paging modes R0, R1 and R2.

### 10.6.3 Page

The **page** substate is used by the master (source) to activate and connect to a slave (destination) which periodically wakes up in the **page scan** substate. The master tries to capture the slave by repeatedly transmitting the slave's device access code (DAC) in different hop channels. Since the Bluetooth clocks of the master and the slave are not synchronized, the master does not know exactly when the slave wakes up and on which hop frequency. Therefore, it transmits a train of identical DACs at different hop frequencies, and listens in between the transmit intervals until it receives a response from the slave.

The page procedure in the master consists of a number of steps. First, the slave's device address is used to determine the page hopping sequence, see [Section 11.3.2 on page 135](#). This is the sequence the master will use to reach the slave. For the phase in the sequence, the master uses an estimate of the slave's clock. This estimate can for example be derived from timing information that was exchanged during the last encounter with this particular device (which could have acted as a master at that time), or from an inquiry procedure. With this estimate CLKE of the slave's Bluetooth clock, the master can predict when the slave wakes up and on which hop channel.

The estimate of the Bluetooth clock in the slave can be completely wrong. Although the master and the slave use the same hopping sequence, they use different phases in the sequence and will never meet each other. To compensate for the clock drifts, the master will send its page message during a short time interval on a number of wake-up frequencies. It will in fact transmit also on hop frequencies just before and after the current, predicted hop frequency. During each TX slot, the master sequentially transmits on two different hop frequencies. Since the page message is the ID packet which is only 68 bits in length, there is ample of time (224.5  $\mu\text{s}$  minimal) to switch the synthesizer. In the following RX slot, the receiver will listen sequentially to two corresponding RX hops for ID packet. The RX hops are selected according to the `page_response` hopping sequence. The `page_response` hopping sequence is strictly related to the page hopping sequence; that is: for each page hop there is a corresponding `page_response` hop. The RX/TX timing in the **page** sub-

state has been described in [Section 9](#), see also [Figure 9.4 on page 91](#). In the next TX slot, it will transmit on two hop frequencies different from the former ones. The synthesizer hop rate is increased to 3200 hops/s.

A distinction must be made between the 79-hop systems and the 23-hop systems. First the 79-hop systems are considered. With the increased hopping rate as described above, the transmitter can cover 16 different hop frequencies in 16 slots or 10 ms. The page hopping sequence is divided over two paging trains **A** and **B** of 16 frequencies. Train **A** includes the 16 hop frequencies surrounding the current, predicted hop frequency  $f(k)$ , where  $k$  is determined by the clock estimate  $CLKE_{16-12}$ . So the first train consists of hops

$$f(k-8), f(k-7), \dots, f(k), \dots, f(k+7)$$

When the difference between the Bluetooth clocks of the master and the slave is between  $-8 \times 1.28$  s and  $+7 \times 1.28$  s, one of the frequencies used by the master will be the hop frequency the slave will listen to. However, since the master does not know when the slave will enter the **page scan** substate, he has to repeat this train **A**  $N_{\text{page}}$  times or until a response is obtained. If the slave scan interval corresponds to R1, the repetition number is at least 128; if the slave scan interval corresponds to R2, the repetition number is at least 256. Note that  $CLKE_{16-12}$  changes every 1.28 s; therefore, every 1.28 s, the trains will include different frequencies of the page hopping set.

When the difference between the Bluetooth clocks of the master and the slave is less than  $-8 \times 1.28$  s or larger than  $+7 \times 1.28$  s, more distant hops must be probed. Since in total, there are only 32 dedicated wake-up hops, the more distant hops are the remaining hops not being probed yet. The remaining 16 hops are used to form the new 10 ms train **B**. The second train consists of hops

$$f(k-16), f(k-15), \dots, f(k-9), f(k+8), \dots, f(k+15)$$

Train **B** is repeated for  $N_{\text{page}}$  times. If still no response is obtained, the first train **A** is tried again  $N_{\text{page}}$  times. Alternate use of train A and train B is continued until a response is received or the timeout *pageTO* is exceeded. If during one of the listening occasions, a response is returned by the slave, the master unit enters the **master response** substate.

The description for paging and **page scan** procedures given here has been tailored towards the 79-hop systems used in the US and Europe. For the 23-hop systems as used in Japan and some European countries, the procedure is slightly different. In the 23-hop case, the length of the page hopping sequence is reduced to 16. As a consequence, there is only a single train (train **A**) including all the page hopping frequencies. The phase to the page hopping sequence is not  $CLKE_{16-12}$  but  $CLKE_{15-12}$ . An estimate of the slave's clock does not have to be made.

The **page** substate can be entered from the **STANDBY** state or the **CONNECTION** state. In the **STANDBY** state, no connection has been established and

the unit can use all the capacity to carry out the page. Before entering the page substate from the CONNECTION state, the unit shall free as much capacity as possible for scanning. To ensure this, it is recommended that the ACL connections are put on hold or park. However, the SCO connections shall not be disturbed by the page. This means that the page will be interrupted by the reserved SCO slots which have higher priority than the page. In order to obtain as much capacity for paging, it is recommended to use the SCO packets which use the least amount of capacity (**HV3** packets). If SCO links are present, the repetition number  $N_{page}$  of a single train shall be increased, see [Table 10.2](#). Here it has been assumed that the **HV3** packet are used with an interval  $T_{SCO}=6$  slots, which would correspond to a 64 kb/s voice link.

SR mode	no SCO link	one SCO link (HV3)	two SCO links (HV3)
R0	$N_{page} \geq 1$	$N_{page} \geq 2$	$N_{page} \geq 3$
R1	$N_{page} \geq 128$	$N_{page} \geq 256$	$N_{page} \geq 384$
R2	$N_{page} \geq 256$	$N_{page} \geq 512$	$N_{page} \geq 768$

Table 10.2: Relationship between train repetition, and paging modes R0, R1 and R2 when SCO links are present.

The construction of the page train is independent on the presence of SCO links; that is, SCO packets are sent on the reserved slots but do not affect the hop frequencies used in the unreserved slots, see [Figure 10.5 on page 103](#).

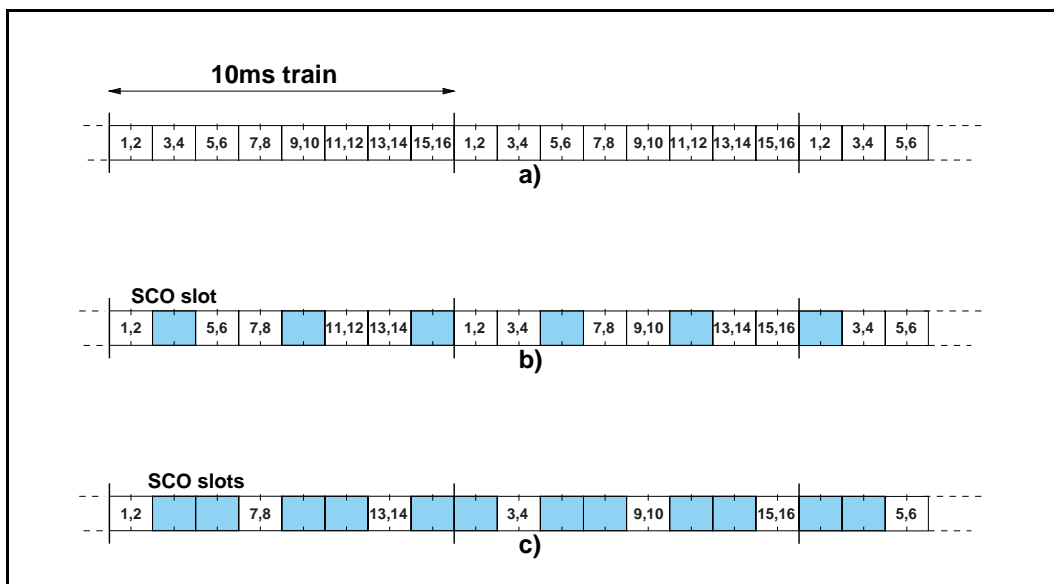


Figure 10.5: Conventional page (a), page while one SCO link present (b), page while two SCO links present (c).

For the descriptions of optional paging schemes see [“Appendix VII” on page 999](#).

### 10.6.4 Page response procedures

When a page message is successfully received by the slave, there is a coarse FH synchronization between the master and the slave. Both the master and the slave enter a response routine to exchange vital information to continue the connection setup. Important for the piconet connection is that both Bluetooth units use the same channel access code, use the same channel hopping sequence, and that their clocks are synchronized. These parameters are derived from the master unit. The unit that initializes the connection (starts paging) is defined as the master unit (which is thus only valid during the time the piconet exists). The channel access code and channel hopping sequence are derived from the Bluetooth device address (BD\_ADDR) of the master. The timing is determined by the master clock. An offset is added to the slave's native clock to temporarily synchronize the slave clock to the master clock. At start-up, the master parameters have to be transmitted from the master to the slave. The messaging between the master and the slave at start-up will be considered in this section.

The initial messaging between master and slave is shown in [Table 10.3 on page 104](#) and in [Figure 10.6 on page 105](#) and [Figure 10.7 on page 105](#). In those two figures frequencies  $f(k)$ ,  $f(k+1)$ , etc. are the frequencies of the page hopping sequence determined by the slave's BD\_ADDR. The frequencies  $f'(k)$ ,  $f'(k+1)$ , etc. are the corresponding page\_response frequencies (slave-to-master). The frequencies  $g(m)$  belong to the channel hopping sequence.

Step	Message	Direction	Hopping Sequence	Access Code and Clock
1	slave ID	master to slave	page	slave
2	slave ID	slave to master	page response	slave
3	FHS	master to slave	page	slave
4	slave ID	slave to master	page response	slave
5	1st packet master	master to slave	channel	master
6	1st packet slave	slave to master	channel	master

Table 10.3: Initial messaging during start-up.

In step 1 (see [Table 10.3 on page 104](#)), the master unit is in **page** substate and the slave unit in the **page scan** substate. Assume in this step that the page message (= slave's device access code) sent by the master reaches the slave. On recognizing its device access code, the slave enters the **slave response** in step 2. The master waits for a reply from the slave and when this arrives in step 2, it will enter the **master response** in step 3. Note that during the initial message exchange, all parameters are derived from the slave's BD\_ADDR, and that only the page hopping and page\_response hopping sequences are used



(which are also derived from the slave's `BD_ADDR`). Note that when the master and slave enter the response states, their clock input to the page and page\_response hop selection is frozen as is described in Section 11.3.3 on page 136.

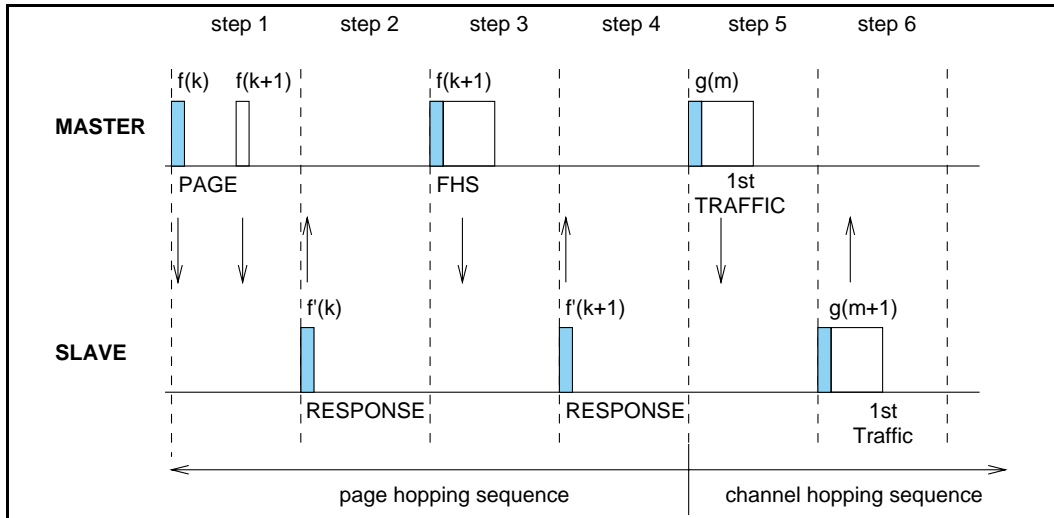


Figure 10.6: Messaging at initial connection when slave responds to first page message.

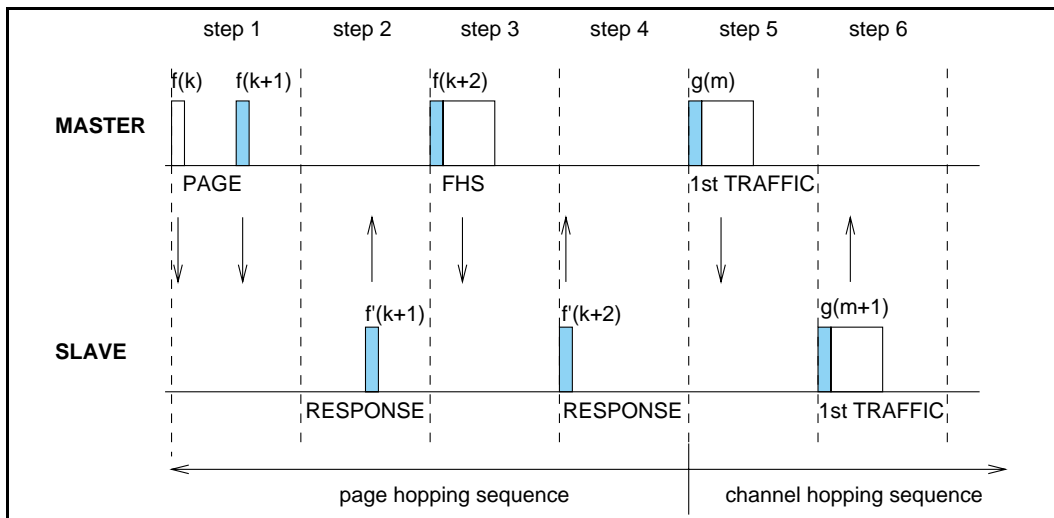


Figure 10.7: Messaging at initial connection when slave responds to second page message.

### 10.6.4.1 Slave response

After having received its own device access code in step 1, the slave unit transmits a response message in step 2. This response message again only consists of the slave's device access code. The slave will transmit this response 625  $\mu$ s after the beginning of the received page message (slave ID packet) and at the response hop frequency that corresponds to the hop frequency in which the page message was received. The slave transmission is therefore time

aligned to the master transmission. During initial messaging, the slave still uses the page response hopping sequence to return information to the master. The clock input  $CLKN_{16-12}$  is frozen at the value it had at the time the page message was received.

After having sent the response message, the slave's receiver is activated (312.5  $\mu$ s after the start of the response message) and awaits the arrival of a **FHS** packet. Note that a **FHS** packet can already arrive 312.5  $\mu$ s after the arrival of the page message as shown in [Figure 10.7 on page 105](#), and not after 625  $\mu$ s as is usually the case in the RX/TX timing. More details about the timing can be found in [Section 9.6 on page 91](#).

If the setup fails before the **CONNECTION** state has been reached, the following procedure is carried out. The slave will keep listening as long as no **FHS** packet is received until *pagerespTO* is exceeded. Every 1.25 ms, however, it will select the next master-to-slave hop frequency according to the page hop sequence. If nothing is received after *pagerespTO*, the slave returns back to the **page scan** substate for one scan period. Length of the scan period depends on the SCO slots present. If no page message is received during this additional scan period, the slave will resume scanning at its regular scan interval and return to the state it was in prior to the first page scan state.

If a **FHS** packet is received by the slave in the **slave response** substate, the slave returns a response (slave's device access code only) in step 4 to acknowledge the reception of the **FHS** packet (still using the page response hopping sequence). The transmission of this response packet is based on the reception of the **FHS** packet. Then the slave changes to the channel (master's access code and clock as received from the **FHS** packet). Only the 26 MSBs of the master clock are transferred: the timing is assumed such that  $CLK_1$  and  $CLK_0$  are both zero at the time the **FHS** packet was received as the master transmits in even slots only. From the master clock in the **FHS** packet, the offset between the master's clock and the slave's clock is determined and reported to the slave's link manager.

Finally, the slave enters the **CONNECTION** state in step 5. From then on, the slave will use the master's clock and the master *BD\_ADDR* to determine the channel hopping sequence and the channel access code. The connection mode starts with a **POLL** packet transmitted by the master. The slave responds with any type of packet. If the **POLL** packet is not received by the slave, or the response packet is not received by the master, within *newconnectionTO* number of slots after **FHS** packet acknowledgement, the master and the slave will return to page and page scan substates, respectively. See [Section 10.8 on page 112](#)

#### 10.6.4.2 Master response

When the master has received a response message from the slave in step 2, it will enter the **master response** routine. It freezes the current clock input to the page hop selection scheme. Then the master will transmit a **FHS** packet in step 3 containing the master's real-time Bluetooth clock, the master's 48-bit BD\_ADDR address, the BCH parity bits, and the class of device. The **FHS** packet contains all information to construct the channel access code without requiring a mathematical derivation from the master device address. The **FHS** packet is transmitted at the beginning of the master-to-slave slot following the slot in which the slave has responded. So the TX timing of the **FHS** is not based on the reception of the response packet from the slave. The **FHS** packet may therefore be sent 312.5  $\mu$ s after the reception of the response packet like shown in [Figure 10.7 on page 105](#) and not 625  $\mu$ s after the received packet as is usual in the RX/TX timing, see also [Section 9.6 on page 91](#).

After the master has sent its **FHS** packet, it waits for a second response from the slave in step 4 which acknowledges the reception of the **FHS** packet. Again this is only the slave's device access code. If no response is received, the master retransmits the **FHS** packet, but with an updated clock and still using the slave's parameters. It will retransmit (the clock is updated every retransmission) until a second slave response is received, or the timeout of *pagerespTO* is exceeded. In the latter case, the master turns back to the **page** substate and sends an error message to the link manager. During the retransmissions of the **FHS** packet, the master keeps using the page hopping sequence.

If the slave's response is indeed received, the master changes to the master parameters, so the channel access code and the master clock. The lower clock bits CLK<sub>0</sub> and CLK<sub>1</sub> are zero at the start of the **FHS** packet transmission and are not included in the **FHS** packet. Finally, the master enters the **CONNECTION** state in step 5. The master BD\_ADDR is used to change to a new hopping sequence, the *channel hopping sequence*. The channel hopping sequence uses all 79 hop channels in a (pseudo) random fashion, see also [Section 11.3.6 on page 138](#). The master can now send its first traffic packet in a hop determined with the new (master) parameters. This first packet will be a POLL packet. See [Section 10.8 on page 112](#).

The master can now send its first traffic packet in a hop determined with the new (master) parameters. The first packet in this state is a POLL packet sent by the master. This packet will be sent within *newconnectionTO* number of slots after reception of the FHS packet acknowledgement. The slave will respond with any type of packet. If the POLL packet is not received by the slave or the POLL packet response is not received by the master within *newconnectionTO* number of slots, the master and the slave will return to page and page scan substates, respectively.

## 10.7 INQUIRY PROCEDURES

### 10.7.1 General

In the Bluetooth system, an inquiry procedure is defined which is used in applications where the destination's device address is unknown to the source. One can think of public facilities like printers or facsimile machines, or access points to a LAN. Alternatively, the inquiry procedure can be used to discover which other Bluetooth units are within range. During an **inquiry** substate, the discovering unit collects the Bluetooth device addresses and clocks of all units that respond to the inquiry message. It can then, if desired, make a connection to any one of them by means of the previously described page procedure.

The inquiry message broadcasted by the source does not contain any information about the source. However, it may indicate which class of devices should respond. There is one general inquiry access code (GIAC) to inquire for any Bluetooth device, and a number of dedicated inquiry access codes (DIAC) that only inquire for a certain type of devices. The inquiry access codes are derived from reserved Bluetooth device addresses and are further described in [Section 4.2.1](#).

A unit that wants to discover other Bluetooth units enters an **inquiry** substate. In this substate, it continuously transmits the inquiry message (which is the ID packet, see [Section 4.4.1.1 on page 55](#)) at different hop frequencies. The **inquiry** hop sequence is always derived from the LAP of the GIAC. Thus, even when DIACs are used, the applied hopping sequence is generated from the GIAC LAP. A unit that allows itself to be discovered, regularly enters the **inquiry scan** substate to respond to inquiry messages. The following sections describe the message exchange and contention resolution during inquiry response. The inquiry response is optional: a unit is not forced to respond to an inquiry message.

### 10.7.2 Inquiry scan

The **inquiry scan** substate is very similar to the **page scan** substate. However, instead of scanning for the unit's device access code, the receiver scans for the inquiry access code long enough to completely scan for 16 inquiry frequencies. The length of this scan period is denoted  $T_{w\_inquiry\_scan}$ . The scan is performed at a single hop frequency. As in the page procedure, the inquiry procedure uses 32 dedicated inquiry hop frequencies according to the *inquiry hopping sequence*. These frequencies are determined by the general inquiry address. The phase is determined by the native clock of the unit carrying out the **inquiry scan**; the phase changes every 1.28s.

Instead or in addition to the general inquiry access code, the unit may scan for one or more dedicated inquiry access codes. However, the scanning will follow the inquiry hopping sequence which is determined by the general inquiry address. If an inquiry message is recognized during an inquiry wake-up period, the Bluetooth unit enters the **inquiry response** substate.

The **inquiry scan** substate can be entered from the **STANDBY** state or the **CONNECTION** state. In the **STANDBY** state, no connection has been established and the unit can use all the capacity to carry out the **inquiry scan**. Before entering the **inquiry scan** substate from the **CONNECTION** state, the unit preferably reserves as much capacity as possible for scanning. If desired, the unit may place ACL connections in the HOLD mode or even use the PARK mode, see [Section 10.8.3 on page 114](#). SCO connections are preferably not interrupted by the **inquiry scan**. In this case, the **inquiry scan** may be interrupted by the reserved SCO slots which have higher priority than the **inquiry scan**. SCO packets should be used requiring the least amount of capacity (**HV3** packets). The scan window,  $T_{w\_inquiry\_scan}$ , shall be increased to increase the probability to respond to an inquiry message. If one SCO link is present using HV3 packets and  $T_{SCO}=6$  slots, a total scan window of at least 36 slots (22.5ms) is recommended; if two SCO links are present using HV3 packets and  $T_{SCO}=6$  slots, a total scan window of at least 54 slots (33.75ms) is recommended.

The scan interval  $T_{inquiry\_scan}$  is defined as the interval between two consecutive inquiry scans. The **inquiry scan** interval shall be at most 2.56 s.

### 10.7.3 Inquiry

The **inquiry** substate is used by the unit that wants to discover new devices. This substate is very similar to the **page** substate, the same TX/RX timing is used as used for paging, see [Section 9.6 on page 91](#) and [Figure 9.4 on page 91](#). The TX and RX frequencies follow the inquiry hopping sequence and the inquiry response hopping sequence, and are determined by the general inquiry access code and the native clock of the discovering device. In between inquiry transmissions, the Bluetooth receiver scans for inquiry response messages. When found, the entire response packet (which is in fact a **FHS** packet) is read, after which the unit continues with the inquiry transmissions. So the Bluetooth unit in an **inquiry** substate does not acknowledge the inquiry response messages. It keeps probing at different hop channels and in between listens for response packets. Like in the **page** substate, two 10 ms trains **A** and **B** are defined, splitting the 32 frequencies of the inquiry hopping sequence into two 16-hop parts. A single train must be repeated for at least  $N_{\text{inquiry}}=256$  times before a new train is used. In order to collect all responses in an error-free environment, at least three train switches must have taken place. As a result, the **inquiry** substate may have to last for 10.24 s unless the inquirer collects enough responses and determines to abort the inquiry substate earlier. If desired, the inquirer can also prolong the inquiry substate to increase the probability of receiving all responses in an error-prone environment. If an inquiry procedure is automatically initiated periodically (say a 10 s period every minute), then the interval between two inquiry instances must be determined randomly. This is done to avoid two Bluetooth units to synchronize their inquiry procedures.

The **inquiry** substate is continued until stopped by the Bluetooth link manager (when it decides that it has sufficient number of responses), or when a timeout has been reached (*inquiryTO*).

The **inquiry** substate can be entered from the **STANDBY** state or the **CONNECTION** state. In the **STANDBY** state, no connection has been established and the unit can use all the capacity to carry out the inquiry. Before entering the inquiry substate from the **CONNECTION** state, the unit shall free as much capacity as possible for scanning. To ensure this, it is recommended that the ACL connections are put on hold or park. However, the SCO connections shall not be disturbed by the inquiry. This means that the inquiry will be interrupted by the reserved SCO slots which have higher priority than the inquiry. In order to obtain as much capacity for inquiry, it is recommended to use the SCO packets which use the least amount of capacity (**HV3** packets). If SCO links are present, the repetition number  $N_{\text{inquiry}}$  shall be increased, see [Table 10.4 on page 111](#).

Here it has been assumed that the **HV3** packet are used with an interval  $T_{\text{SCO}}=6$  slots, which would correspond to a 64 kb/s voice link.

	no SCO link	one SCO link (HV3)	two SCO links (HV3)
$N_{\text{inquiry}}$	$\geq 256$	$\geq 512$	$\geq 768$

Table 10.4: Increase of train repetition when SCO links are present.

### 10.7.4 Inquiry response

For the inquiry operation, there is only a slave response, no master response. The master listens between inquiry messages for responses, but after reading a response, it continues to transmit inquiry messages. The slave response routine for inquiries differs completely from the slave response routine applied for pages. When the inquiry message is received in the **inquiry scan** substate, a response message containing the recipient's address must be returned. This response message is a conventional **FHS** packet carrying the unit's parameters. However, a contention problem may arise when several Bluetooth units are in close proximity to the inquiring unit and all respond to an inquiry message at the same time. First of all, every Bluetooth unit has a free running clock; therefore, it is highly unlikely that they all use the same phase of the inquiry hopping sequence. However, in order to avoid collisions between units that do wake up in the same inquiry hop channel simultaneously, the following protocol in the slave's **inquiry response** is used. If the slave receives an inquiry message, it generates a random number RAND between 0 and 1023. In addition, it freezes the current input value (phase) to the hop selection scheme, see also [Section 11.3.5 on page 137](#). The slave then returns to the **CONNECTION** or **STANDBY** state for the duration of RAND time slots. Before returning to the **CONNECTION** or **STANDBY** state, the unit may go through the page scan substate; this page scan must use the mandatory page scan scheme. After at least RAND slots, the unit will return to the **inquiry response** substate. On the first inquiry message received the slave returns an **FHS** response packet to the master. If during the scan no trigger occurs within a timeout period of *inqrespTO*, the slave returns to the **STANDBY** or **CONNECTION** state. If the unit does receive an inquiry message and returns an **FHS** packet, it adds an offset of 1 to the phase in the inquiry hop sequence (the phase has a 1.28 s resolution) and enters the **inquiry scan** substate again. If the slave is triggered again, it repeats the procedure using a new RAND. The offset to the clock accumulates each time a **FHS** packet is returned. During a 1.28 s probing window, a slave on average responses 4 times, but on different frequencies and at different times. Possible SCO slots should have priority over response packets; that is, if a response packet overlaps with an SCO slot, it is not sent but the next inquiry message is awaited.

The messaging during the inquiry routines is summarized in [Table 10.5 on page 112](#). In step 1, the master transmits an inquiry message using the inquiry access code and its own clock. The slave responds with the **FHS** packet which contains the slave's device address, native clock and other slave information. This **FHS** packet is returned at a semi-random time. The **FHS** packet is not acknowledged in the inquiry routine, but it is retransmitted at other times and frequencies as long as the master is probing with inquiry messages.

step	message	direction	hopping sequence	access code
1	ID	master to slave	inquiry	inquiry
2	FHS	slave to master	inquiry response	inquiry

Table 10.5: Messaging during inquiry routines.

If the scanning unit uses an optional scanning scheme, after responding to an inquiry with an FHS packet, it will perform page scan using the mandatory page scan scheme for  $T_{\text{mandatory pscan}}$  period. Every time an inquiry response is sent the unit will start a timer with a timeout of  $T_{\text{mandatory pscan}}$ . The timer will be reset at each new inquiry response. Until the timer times out, when the unit performs page scan, it will use the mandatory page scanning scheme in the SR mode it uses for all its page scan intervals. Using the mandatory page scan scheme after the inquiry procedure enables all units to connect even if they do not support an optional paging scheme (yet). In addition to using the mandatory page scan scheme, an optional page scan scheme can be used in parallel for the  $T_{\text{mandatory pscan}}$  period.

The  $T_{\text{mandatory pscan}}$  period is included in the SP field of the FHS packet returned in the inquiry response routine, see Section 4.4.1.4 on page 56. The value of the period is indicated in the Table 10.6

SP mode	$T_{\text{mandatory pscan}}$
P0	$\geq 20\text{s}$
P1	$\geq 40\text{s}$
P2	$\geq 60\text{s}$
Reserved	-

Table 10.6: Mandatory scan periods for P0, P1, P2 scan period modes.

## 10.8 CONNECTION STATE

In the **CONNECTION** state, the connection has been established and packets can be sent back and forth. In both units, the channel (master) access code and the master Bluetooth clock are used. The hopping scheme uses the *channel hopping sequence*. The master starts its transmission in even slots ( $\text{CLK}_{1-0}=00$ ), the slave starts its transmission in odd slots ( $\text{CLK}_{1-0}=10$ )

The **CONNECTION** state starts with a POLL packet sent by the master to verify the switch to the master’s timing and channel frequency hopping. The slave can respond with any type of packet. If the slave does not receive the POLL packet or the master does not receive the response packet for *newconnectionTO* number of slots, both devices will return to **page/page scan** substates.



The first information packets in the **CONNECTION** state contain control messages that characterize the link and give more details regarding the Bluetooth units. These messages are exchanged between the link managers of the units. For example, it defines the SCO links and the sniff parameters. Then the transfer of user information can start by alternately transmitting and receiving packets.

The **CONNECTION** state is left through a **detach** or **reset** command. The **detach** command is used if the link has been disconnected in the normal way. All configuration data in the Bluetooth link controller is still valid. The **reset** command is a hard reset of all controller processes. After a reset, the controller has to be reconfigured.

The Bluetooth units can be in several modes of operation during the **CONNECTION** state: active mode, sniff mode, hold mode, and park mode. These modes are now described in more detail.

### 10.8.1 Active mode

In the active mode, the Bluetooth unit actively participates on the channel. The master schedules the transmission based on traffic demands to and from the different slaves. In addition, it supports regular transmissions to keep slaves synchronized to the channel. Active slaves listen in the master-to-slave slots for packets. If an active slave is not addressed, it may sleep until the next new master transmission. From the type indication in the packet, the number of slots the master has reserved for its transmission can be derived; during this time, the non-addressed slaves do not have to listen on the master-to-slave slots. A periodic master transmission is required to keep the slaves synchronized to the channel. Since the slaves only need the channel access code to synchronize with, any packet type can be used for this purpose.

### 10.8.2 Sniff mode

In the sniff mode, the duty cycle of the slave's listen activity can be reduced. If a slave participates on an ACL link, it has to listen in every ACL slot to the master traffic. With the sniff mode, the time slots where the master can start transmission to a specific slave is reduced; that is, the master can only start transmission in specified time slots. These so-called sniff slots are spaced regularly with an interval of  $T_{sniff}$ .

The slave has to listen at  $D_{sniff}$  slot every sniff period,  $T_{sniff}$  for a  $N_{sniff\ attempt}$  number of times. If the slave receives a packet in one of the  $N_{sniff\ attempt}$  RX slots, it should continue listening as long as it receives packets to its own AM\_ADDR. Once it stops receiving packets, it should continue listening for  $N_{sniff\ timeout}$  RX slots or remaining of the  $N_{sniff\ attempt}$  number of RX slots, whichever is greater.

To enter the sniff mode, the master shall issue a sniff command via the LM protocol. This message will contain the sniff interval  $T_{sniff}$  and an offset  $D_{sniff}$ . The timing of the sniff mode is then determined similar as for the SCO links. In addition, an initialization flag indicates whether initialization procedure 1 or 2 is being used. The master uses initialization 1 when the MSB of the current master clock (CLK<sub>27</sub>) is 0; it uses initialization 2 when the MSB of the current master clock (CLK<sub>27</sub>) is 1. The slave shall apply the initialization method as indicated by the initialization flag irrespective of its clock bit value CLK<sub>27</sub>. The master-to-slave sniff slots determined by the master and the slave shall be initialized on the slots for which the clock satisfies the following equation

$$CLK_{27-1} \bmod T_{sniff} = D_{sniff} \quad \text{for initialization 1}$$

$$(\overline{CLK_{27}}, CLK_{26-1}) \bmod T_{sniff} = D_{sniff} \quad \text{for initialization 2}$$

The slave-to-master sniff slot determined by the master and the slave shall be initialized on the slots after the master-to-slave sniff slot defined above. After initialization, the clock value CLK(k+1) for the next master-to-slave SNIFF slot is found by adding the fixed interval  $T_{sniff}$  to the clock value of the current master-to-slave sniff slot:

$$CLK(k+1) = CLK(k) + T_{sniff}$$

### 10.8.3 Hold mode

During the **CONNECTION** state, the ACL link to a slave can be put in a **hold** mode. This means that the slave temporarily does not support ACL packets on the channel any more (note: possible SCO links will still be supported). With the **hold** mode, capacity can be made free to do other things like scanning, paging, inquiring, or attending another piconet. The unit in **hold** mode can also enter a low-power sleep mode. During the **hold** mode, the slave unit keeps its active member address (AM\_ADDR).

Prior to entering the hold mode, master and slave agree on the time duration the slave remains in the hold mode. A timer is initialized with the *holdTO* value. When the timer is expired, the slave will wake up, synchronize to the traffic on the channel and will wait for further master instructions.

#### 10.8.4 Park mode

When a slave does not need to participate on the piconet channel, but still wants to remain synchronized to the channel, it can enter the park mode which is a low-power mode with very little activity in the slave. In the park mode, the slave gives up its active member address *AM\_ADDR*. Instead, it receives two new addresses to be used in the park mode

- *PM\_ADDR*: 8-bit Parked Member Address
- *AR\_ADDR*: 8-bit Access Request Address

The *PM\_ADDR* distinguishes a parked slave from the other parked slaves. This address is used in the master-initiated unpark procedure. In addition to the *PM\_ADDR*, a parked slave can also be unparked by its 48-bit *BD\_ADDR*. The all-zero *PM\_ADDR* is a reserved address: if a parked unit has the all-zero *PM\_ADDR* it can only be unparked by the *BD\_ADDR*. In that case, the *PM\_ADDR* has no meaning. The *AR\_ADDR* is used by the slave in the slave-initiated unpark procedure. All messages sent to the parked slaves have to be carried by broadcast packets (the all-zero *AM\_ADDR*) because of the missing *AM\_ADDR*.

The parked slave wakes up at regular intervals to listen to the channel in order to re-synchronize and to check for broadcast messages. To support the synchronization and channel access of the parked slaves, the master supports a beacon channel described in the next section. The beacon structure is communicated to the slave when it is being parked. When the beacon structure changes, the parked slaves are updated through broadcast messages.

In addition for using it for low power consumption, the park mode is used to connect more than seven slaves to a single master. At any one time, only seven slaves can be active. However, by swapping active and parked slaves out respectively in the piconet, the number of slave virtually connected can be much larger (255 if the *PM\_ADDR* is used, and even a larger number if the *BD\_ADDR* is used). There is no limitation to the number of slaves that can be parked.

##### 10.8.4.1 Beacon channel

To support parked slaves, the master establishes a beacon channel when one or more slaves are parked. The beacon channel consists of one beacon slot or a train of equidistant beacon slots which is transmitted periodically with a constant time interval. The beacon channel is illustrated in [Figure 10.8 on page 117](#). A train of  $N_B$  ( $N_B \geq 1$ ) beacon slots is defined with an interval of  $T_B$  slots.

The beacon slots in the train are separated by  $\Delta_B$ . The start of the first beacon slot is referred to as the **beacon instant** and serves as the beacon timing reference. The beacon parameters  $N_B$  and  $T_B$  are chosen such that there are sufficient beacon slots for a parked slave to synchronize to during a certain time window in an error-prone environment.

When parked, the slave will receive the beacon parameters through an LMP command. In addition, the timing of the beacon instant is indicated through the offset  $D_B$ . Like for the SCO link (see [Section 3.2 on page 45](#)), two initialization procedures 1 or 2 are used. The master uses initialization 1 when the MSB of the current master clock ( $CLK_{27}$ ) is 0; it uses initialization 2 when the MSB of the current master clock ( $CLK_{27}$ ) is 1. The chosen initialization procedure is also carried by an initialization flag in the LMP command. The slave shall apply the initiations method as indicated by the initialization flag irrespective of its clock bit  $CLK_{27}$ . The master-to-slave slot positioned at the beacon instant shall be initialized on the slots for which the clock satisfies the following equation

$$CLK_{27-1} \bmod T_B = D_B \quad \text{for initialization 1}$$

$$(\overline{CLK_{27}}, CLK_{26-1}) \bmod T_B = D_B \quad \text{for initialization 2}$$

After initialization, the clock value  $CLK(k+1)$  for the next beacon instant is found by adding the fixed interval  $T_B$  to the clock value of the current beacon instant:

$$CLK(k+1) = CLK(k) + T_B$$

The beacon channel serves four purposes:

1. transmission of master-to-slave packets which the parked slaves can use for re-synchronization
2. carrying messages to the parked slaves to change the beacon parameters
3. carrying general broadcast messages to the parked slaves
4. unparking of one or more parked slaves

Since a slave can synchronize to any packet which is preceded by the proper channel access code, the packets carried on the beacon slots do not have to contain specific broadcast packets for parked slaves to be able to synchronize; any packet can be used. The only requirement placed on the beacon slots is that there is master-to-slave transmission present. If there is no information to be sent, **NULL** packets can be transmitted by the master. If there is indeed broadcast information to be sent to the parked slaves, the first packet of the broadcast message shall be repeated in every beacon slot of the beacon train. However, synchronous traffic like on the SCO link, may interrupt the beacon transmission.

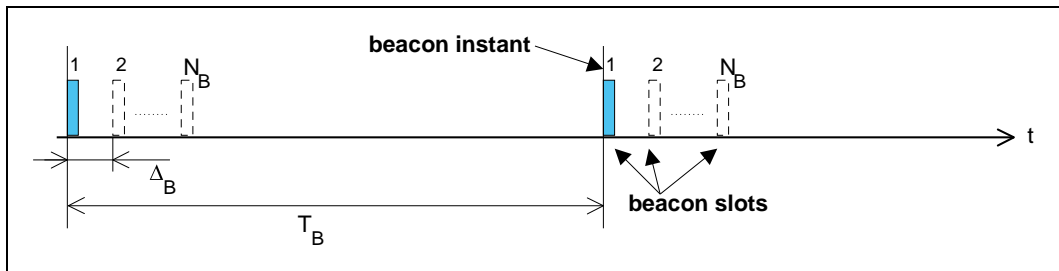


Figure 10.8: General beacon channel format

**10.8.4.2 Beacon access window**

In addition to the beacon slots, an access window is defined where the parked slaves can send requests to be unparked. To increase reliability, the access window can be repeated  $M_{access}$  times ( $M_{access} \geq 1$ ), see Figure 10.9 on page 117. The access window starts a fixed delay  $D_{access}$  after the beacon instant. The width of the access window is  $T_{access}$ .

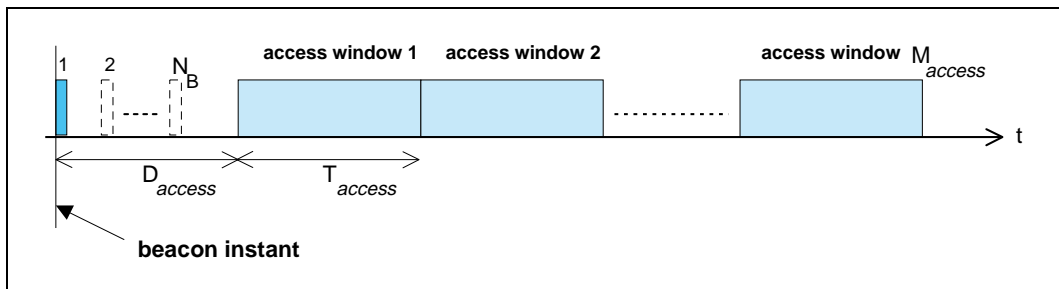


Figure 10.9: Definition of access window

The access window may support different slave access techniques, like polling, random access, or other forms of access. At this stage, only the polling technique has been defined. The format of the polling technique is shown in Figure 10.10 on page 118. The same TDD structure is used as on the piconet channel, i.e. master-to-slave transmission is alternated by slave-to-master transmission. The slave-to-master slot is divided into two half slots of 312.5 μs each. The half slot a parked slave is allowed to respond in corresponds to its access request address (AR\_ADDR), see also section 10.8.4.6 on page 120. For counting the half slots to determine the access request slot, the start of the access window is used, see Figure 10.10 on page 118. The slave is only allowed to send an access request in the proper slave-to-master half slot if in the preceding master-to-slave slot a broadcast packet has been received. In this way, the master polls the parked slaves.

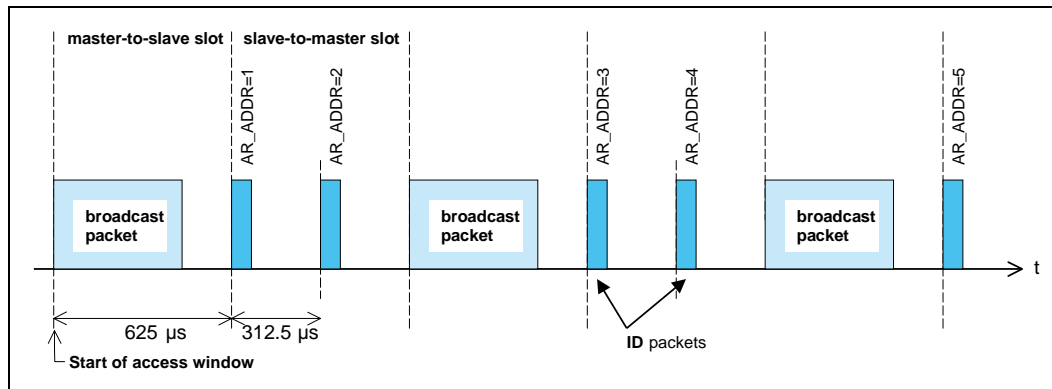


Figure 10.10: Access procedure applying the polling technique.

However, the slots of the access window can also be used for traffic on the piconet if required. For example, if an SCO connection has to be supported, the slots reserved for the SCO link may carry SCO information instead of being used for access requests, i.e. if the master-to-slave slot in the access window contains a packet different from a broadcast packet, the following slave-to-master slot cannot be used for slave access requests. Slots in the access window not affected by traffic can still be used according to the defined access structure; an example is shown in Figure 10.11 on page 118: the access procedure is continued as if no interruption had taken place.

When the slave is parked, it is indicated what type of access scheme will be used. For the polling scheme, the number of slave-to-master access slots  $N_{acc\_slot}$  is indicated.

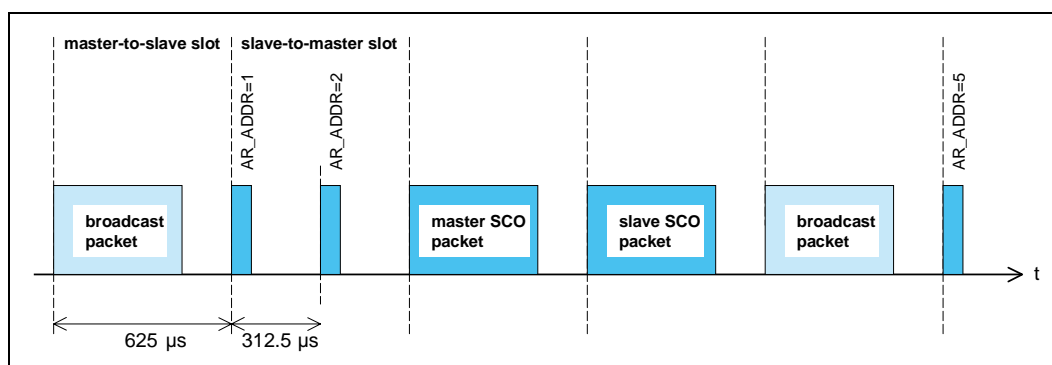


Figure 10.11: Disturbance of access window by SCO traffic

By default, the access window is always present. However, its activation depends on the master sending broadcast messages to the slave at the appropriate slots in the access window. A broadcast LMP command in the beacon slots may indicate that the access window following will not be activated. This prevents unnecessary scanning of parked slaves that want to request access.

10.8.4.3 Parked slave synchronization

Parked slaves sleep most of the time. However, periodically they wake up to re-synchronize to the channel. Any packet exchanged on the channel can be used for synchronization. Since master transmission is mandatory on the beacon slots, parked slaves will exploit the beacon channel to re-synchronize. A parked slave will wake-up at the beacon instant to read the packet sent on the first beacon slot. If this fails, it will retry on the next beacon slot in the beacon train; in total, there are  $N_B$  opportunities per beacon instant to re-synchronize. During the search, the slave may increase its search window, see also [Section 9.4 on page 90](#). The separation between the beacon slots in the beacon train  $\Delta_B$  is chosen such that consecutive search windows will not overlap.

The parked slave does not have to wake up at every beacon instant. Instead, a sleep interval can be applied which is longer than the beacon interval  $T_B$ , see [Figure 10.12 on page 119](#). The slave sleep window must be a multiple  $N_{B\_sleep}$  of  $T_B$ . The precise beacon instant the slave shall wake up on is indicated by the master with  $D_{B\_sleep}$  which indicates the offset (in multiples of  $T_B$ ) with respect to the beacon instant ( $0 < D_{B\_sleep} < N_{B\_sleep} - 1$ ). To initialize the wake-up period, the following equations are used:

$$CLK_{27-1} \bmod (N_{B\_sleep} \cdot T_B) = D_B + D_{B\_sleep} \cdot T_B \quad \text{for initialization 1}$$

$$(\overline{CLK_{27}}, CLK_{26-1}) \bmod (N_{B\_sleep} \cdot T_B) = D_B + D_{B\_sleep} \cdot T_B \quad \text{for initialization 2}$$

where initialization 1 is chosen by the master if the MSB in the current master clock is 0 and initialization 2 is chosen if the MSB in the current master clock is 1.

When the master wants to send broadcast messages to the parked slaves, it may use the beacon slots for these broadcast messages. However, if  $N_B < N_{BC}$ , the slots following the last beacon slot in the beacon train shall be used for the remaining  $N_{BC} - N_B$  broadcast packets. If  $N_B > N_{BC}$ , the broadcast message is repeated on all  $N_B$  beacon slots.

A parked slave shall at least read the broadcast messages sent in the beacon slot(s) it wakes up in; the minimum wake-up activity is to read the channel access code for re-synchronization and the packet header to check for broadcast messages.

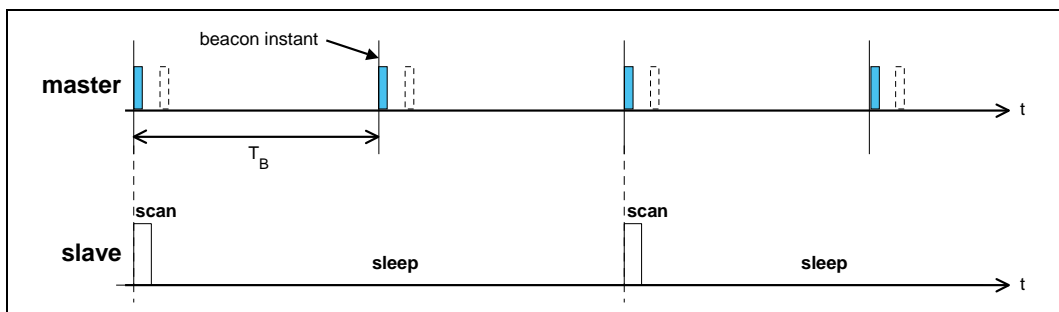


Figure 10.12: Extended sleep interval of parked slaves.

#### 10.8.4.4 Parking

A master can park an active slave through the exchange of one or a few LMP commands. Before put into the park mode, the slave is assigned a PM\_ADDR and an AR\_ADDR. Every parked slave has a unique PM\_ADDR; however, the AR\_ADDR is not necessarily unique. Also, the beacon parameters are given by the master when the slave is parked. The slave then gives up its AM\_ADDR and enters the park mode. A master can park only a single slave at a time. The park message is carried with a normal data packet and addresses the slave through its AM\_ADDR.

#### 10.8.4.5 Master-activated unparking

The master can unpark a parked slave by sending a dedicated LMP unpark command including the parked slave's address. This message is sent in a broadcast packet on the beacon slots. Either the slave's PM\_ADDR is used, or its full BD\_ADDR is used. The message also includes the active member address AM\_ADDR the slave will use after it has re-entered the piconet. The unpark message can include a number of slave addresses so that multiple slaves can be unparked simultaneously. For each slave, a different AM\_ADDR is assigned.

After having received the unpark message, the parked slave matching the PM\_ADDR or BD\_ADDR will leave the park mode and enter the active mode. It will keep listening to the master until it is addressed by the master through its AM\_ADDR. The first packet sent by the master should be a POLL packet. The return packet in response to the POLL packet confirms that the slave has been unparked. If no response packets from the slave is received for *newconnectionTO* number of slots after the end of beacon repetition period, the master will unpark the slave again. If the slave does not receive the POLL packet for *newconnectionTO* number of slots after the end of beacon repetition period, it will return to park, with the same beacon parameters. After confirming that the slave is active, the master decides in which mode the slave will continue.

#### 10.8.4.6 Slave-activated unparking

A slave can request access to the channel through the access window defined in [section 10.8.4.2 on page 117](#). As shown in [Figure 10.10 on page 118](#), the access window includes several slave-to-master half slots where the slave can send an access request message. The specific half slot the slave is allowed to respond in, corresponds to its access request address (AR\_ADDR) which it has received when it was parked. The order of the half slots (in [Figure 10.10](#) the AR\_ADDR numbers linearly increase from 1 to 5) is not fixed: an LMP command sent in the beacon slots may reconfigure the access window. When a slave desires access to the channel, it sends an access request message in the proper slave-to-master half slot. The access request message of the slave is the **ID** packet containing the device access code (DAC) of the master (which is in this case the channel access code without the trailer). The parked slave is



only allowed to transmit an access request message in the half slot when in the preceding master-to-slave slot, a broadcast packet has been received. This broadcast message can contain any kind of broadcast information not necessarily related to the parked slave(s). If no broadcast information is available, a broadcast **NULL** or broadcast **POLL** packet shall be sent.

After having sent an access request, the parked slave will listen for an unpark message from the master. As long as no unpark message is received, the slave will repeat the access requests in the subsequent access windows. After the last access window (there are  $M_{access}$  windows in total, see [Section 10.8.4.2 on page 117](#)), the parked slave shall listen for an additional  $N_{poll}$  time slots for an unpark message. If no unpark message is received within  $N_{poll}$  slots after the end of the last access window, the slave may return to sleep and retry an access attempt after the next beacon instant.

After having received the unpark message, the parked slave matching the PM\_ADDR or BD\_ADDR will leave the park mode and enter the active mode. It will keep listening to the master until it is addressed by the master through its AM\_ADDR. The first packet sent by the master should be a POLL packet. The return packet in response to the POLL packet confirms that the slave has been unparked. If no response packet from the slave is received for *newconnectionTO* number of slots after  $N_{poll}$  slots after the end of the last access window, the master will send the unpark message to the slave again. If the slave does not receive the POLL packet for *newconnectionTO* number of slots after  $N_{poll}$  slots after the end of the last access window, it will return to park, with the same beacon parameters. After confirming that the slave is active, the master decides in which mode the slave will continue.

#### 10.8.4.7 Broadcast scan window

In the beacon train, the master can support broadcast messages to the parked slaves. However, it may extend its broadcast capacity by indicating to the parked slaves that more broadcast information is following after the beacon train. This is achieved by a special LMP command ordering the parked slaves (as well as the active slaves) to listen to the channel for broadcast messages during a limited time window. This time window starts at the beacon instant and continues for the period as indicated in the LMP command sent in the beacon train.

### **10.8.5 Polling schemes**

#### 10.8.5.1 Polling in active mode

The master always has full control over the piconet. Due to the stringent TDD scheme, slaves can only communicate with the master and not to other slaves. In order to avoid collisions on the ACL link, a slave is only allowed to transmit in the slave-to-master slot when addressed by the AM\_ADDR in the packet

header in the preceding master-to-slave slot. If the AM\_ADDR in the preceding slot does not match, or an AM\_ADDR cannot be derived from the preceding slot, the slave is not allowed to transmit.

On the SCO links, the polling rule is slightly modified. The slave is allowed to transmit in the slot reserved for his SCO link unless the (valid) AM\_ADDR in the preceding slot indicates a different slave. If no valid AM\_ADDR can be derived in the preceding slot, the slave is still allowed to transmit in the reserved SCO slot.

#### 10.8.5.2 Polling in park mode

In the park mode, parked slaves are allowed to send access requests in the access window provided a broadcast packet is received in the preceding master-to-slave slot. Slaves in active mode will not send in the slave-to-master slots following the broadcast packet since they are only allowed to send if addressed specifically.

### **10.8.6 Slot reservation scheme**

The SCO link is established by negotiations between the link managers which involves the exchange of important SCO timing parameters like  $T_{SCO}$  and  $D_{SCO}$  through LMP messages.

### **10.8.7 Broadcast scheme**

The master of the piconet can broadcast messages which will reach all slaves. A broadcast packet is characterized by the all-zero AM\_ADDR. Each new broadcast message (which may be carried by a number of packets) shall start with the flush indication (L\_CH=10).

A broadcast packet is never acknowledged. In an error-prone environment, the master may carry out a number of retransmissions  $N_{BC}$  to increase the probability for error-free delivery, see also [Section 5.3.5 on page 72](#).

In order to support the **park** mode (as described in [Section 10.8.4 on page 115](#)), a master transmission shall take place at fixed intervals. This master transmission will act as a beacon to which slaves can synchronize. If no traffic takes place at the beacon event, broadcast packets shall be sent. More information is given in [Section 10.8.4 on page 115](#).

## **10.9 SCATTERNET**

### **10.9.1 General**

Multiple piconets may cover the same area. Since each piconet has a different master, the piconets hop independently, each with their own channel hopping

sequence and phase as determined by the respective master. In addition, the packets carried on the channels are preceded by different channel access codes as determined by the master device addresses. As more piconets are added, the probability of collisions increases; a graceful degradation of performance results as is common in frequency-hopping spread spectrum systems.

If multiple piconets cover the same area, a unit can participate in two or more overlaying piconets by applying time multiplexing. To participate on the proper channel, it should use the associated master device address and proper clock offset to obtain the correct phase. A Bluetooth unit can act as a slave in several piconets, but only as a master in a single piconet: since two piconets with the same master are synchronized and use the same hopping sequence, they are one and the same piconet. A group of piconets in which connections consists between different piconets is called a **scatternet**.

A master or slave can become a slave in another piconet by being paged by the master of this other piconet. On the other hand, a unit participating in one piconet can page the master or slave of another piconet. Since the paging unit always starts out as master, a master-slave role exchange is required if a slave role is desired. This is described in the [section 10.9.3 on page 123](#).

### 10.9.2 Inter-piconet communications

Time multiplexing must be used to switch between piconets. In case of ACL links only, a unit can request to enter the **hold** or **park** mode in the current piconet during which time it may join another piconet by just changing the channel parameters. Units in the **sniff** mode may have sufficient time to visit another piconet in between the sniff slots. If SCO links are established, other piconets can only be visited in the non-reserved slots in between. This is only possible if there is a single SCO link using **HV3** packets. In the four slots in between, one other piconet can be visited. Since the multiple piconets are not synchronized, guard time must be left to account for misalignment. This means that only 2 slots can effectively be used to visit another piconet in between the **HV3** packets.

Since the clocks of two masters of different piconets are not synchronized, a slave unit participating in two piconets has to take care of two offsets that, added to its own native clock, create one or the other master clock. Since the two master clocks drift independently, regular updates of the offsets are required in order for the slave unit to keep synchronization to both masters.

### 10.9.3 Master-slave switch

In principle, the unit that creates the piconet is the master. However, a master-slave (MS) switch can take place when a slave wants to become a master. For the two units involved in the switch, the MS switch results in a reversal of their TX and RX timing: a TDD switch. However, since the piconet parameters are derived from the device address and clock of the master, a master-slave switch inherently involves a redefinition of the piconet as well: a piconet switch. The

new piconet's parameters are derived from the former slave's device address and clock. As a consequence of this piconet switch, other slaves in the piconet not involved in the switch have to be moved to the new piconet, changing their timing and their hopping scheme. The new piconet parameters have to be communicated to each slave. The scenario to achieve this is described below. Assume unit A wants to become master; unit B was the former master. The following steps are taken.

- Slave A and master B agree to exchange roles.
- When confirmed by both units, both slave A and master B do the TDD switch but keep the former hopping scheme (still using the device address and clock of unit B), so there is no piconet switch yet.
- Unit A is now the master of the piconet. Since the old and new masters' clocks are asynchronous, the 1.25 ms resolution of the clock information given in the FHS packet is not sufficient for aligning the slot boundaries of the two piconets. Prior to sending the FHS packet, the new master A sends an LMP packet giving the delay between the start of the master-to-slave slots of the old and new piconet channels. This timing information ranges from 0 to 1249  $\mu$ s with a resolution of 1  $\mu$ s. It is used together with the clock information in the FHS packet to accurately position the correlation window when switching to the new master's timing after acknowledgment of the FHS packet.
- After the time alignment LMP message, Master A sends an FHS packet including the new AM\_ADDR to slave B (the AM\_ADDR in the FHS packet header is the all-zero address) still using the "old" piconet parameters. After the FHS acknowledgement, which consists of the ID packet and is sent by the slave on the old hopping sequence, both master A and slave B turn to the new channel parameters of the new piconet as indicated by the FHS and time alignment LMP packets (at least for the A-B connection).
- A piconet switch is enforced on each slave separately. Master A sends a time alignment and an FHS packets and waits for an acknowledgement. Transmission of the FHS packet and the acknowledgement continues on the "old" piconet parameters of unit B (compare this to the page hopping scheme used during connection establishment, see [Section 10.6.4 on page 104](#)). After FHS acknowledgement using an ID packet sent by the slave, the communication to this slave continues with the new device address and clock of unit A. The FHS packet sent to each slave has the old AM\_ADDR in the FHS packet header and their new AM\_ADDR in the FHS packet payload (the new AM\_ADDR may be identical to the old AM\_ADDR).
- After reception of the FHS packet acknowledgement, the new master A switches to its own timing and sends a POLL packet to verify the switch. Both the master and the slave will start a timer with a time out of *newconnectionTO* on FHS packet acknowledgement. If no response is received, the master resends the POLL packet until *newconnectionTO* is reached. After this timeout both the slave and the master return to the old piconet timing (but the TDD switch remains). The master sends the FHS packet again and the procedure is repeated.

- The new master repeats the above procedure for each slave in the old piconet.

Summarized, the MS-switch takes place in two steps: first a TDD switch of the considered master and slave, and then a piconet switch of all participants. When all slaves have acknowledged the reception of the FHS packet, each unit uses the new piconet parameters defined by the new master and the piconet switch is a fact. The information on the AM\_ADDR, PM\_ADDR, and other features of the old slaves is transferred from the old master to the new master. The transfer procedure is outside the scope of this procedure. Parked slaves shall be activated (using the old park parameters), be changed to the new piconet parameters, and then return to the **park** mode using the new park parameters.

## 10.10 POWER MANAGEMENT

Features are included into Bluetooth to ensure a low-power operation. These features are both at the microscopic level when handling the packets, and at the macroscopic level using certain operation modes.

### 10.10.1 Packet handling

In order to minimize power consumption, packet handling is minimized both at TX and RX sides. At the TX side, power is minimized by only sending useful data. This means that if only link control information needs to be exchanged, **NULL** packets will be used. No transmission is carried out at all if there is no link control information or involves a NAK only (NAK is implicit on no reply). If there is data to be sent, the payload length is adapted in order to send only the valid data bytes. At the RX side, packet processing takes place in different steps. If no valid access code is found in the search window, the transceiver returns to sleep. If an access code is found, the receiver unit is woken up and starts to process the packet header. If the HEC fails, the unit will return to sleep after the packet header. A valid header will indicate if a payload will follow and how many slots are involved.

### 10.10.2 Slot occupancy

As was described in [Section 4.4 on page 54](#), the packet type indicates how many slots a packet may occupy. A slave not addressed in the first slot can go to sleep for the remaining slots the packet may occupy. This can be read from the TYPE code.

### 10.10.3 Low-power modes

In [Section 10.8 on page 112](#), three modes were described during the **CONNECTION** state which reduce power consumption. If we list the modes in increasing order of power efficiency then the **sniff** mode has the higher duty

cycle, followed by the **hold** mode with a lower duty cycle, and finishing with the **park** mode with the lowest duty cycle.

## 10.11 LINK SUPERVISION

A connection may break down due to various reasons such as a device moving out of range or a power failure condition. Since this may happen without any prior warning, it is important to monitor the link on both the master and the slave side to avoid possible collisions when the AM\_ADDR is reassigned to another slave.

To be able to supervise link loss, both the master and the slave use link supervision timers,  $T_{\text{supervision}}$ . Upon reception of a packet that passes the HEC check and has the correct AM\_ADDR, the timer is reset. If at any time in connection state, the timer reaches the *supervisionTO* value, the connection is reset. The same timeout value is used for both SCO and ACL connections.

The timeout period, *supervisionTO*, is negotiated at the LM level. Its value is chosen so that the supervision timeout will be longer than hold and sniff periods. Link supervision of a parked slave will be done by unparking and re-parking the slave.

## 11 HOP SELECTION

In total, 10 types of hopping sequences are defined – five for the 79-hop and five for the 23-hop system, respectively. Using the notation of parentheses () for figures related to the 23-hop system, these sequences are:

- A **page hopping sequence** with 32 (16) unique wake-up frequencies distributed equally over the 79 (23) MHz, with a period length of 32 (16);
- A **page response sequence** covering 32 (16) unique response frequencies that all are in an one-to-one correspondence to the current page hopping sequence. The master and slave use different rules to obtain the same sequence;
- An **inquiry sequence** with 32 (16) unique wake-up frequencies distributed equally over the 79 (23) MHz, with a period length of 32 (16);
- A **inquiry response sequence** covering 32 (16) unique response frequencies that all are in an one-to-one correspondence to the current inquiry hopping sequence.
- A **channel hopping sequence** which has a very long period length, which does not show repetitive patterns over a short time interval, but which distributes the hop frequencies equally over the 79 (23) MHz during a short time interval;

For the page hopping sequence, it is important that we can easily shift the phase forward or backward, so we need a 1-1 mapping from a counter to the hop frequencies. For each case, both a hop sequence from master to slave and from slave to master are required.

The inquiry and inquiry response sequences always utilizes the GIAC LAP as lower address part and the DCI ([Section 5.4 on page 73](#)) as upper address part in deriving the hopping sequence, even if it concerns a DIAC inquiry.

### 11.1 GENERAL SELECTION SCHEME

The selection scheme consists of two parts:

- selecting a sequence;
- mapping this sequence on the hop frequencies;

The general block diagram of the hop selection scheme is shown in [Figure 11.1 on page 128](#). The mapping from the input to a particular hop frequency is performed in the selection box. Basically, the input is the native clock and the current address. In **CONNECTION** state, the native clock (CLKN) is modified by an offset to equal the master clock (CLK). Only the 27 MSBs of the clock are used. In the **page** and **inquiry** substates, all 28 bits of the clock are used. However, in **page** substate the native clock will be modified to the master's estimate of the paged unit.

The address input consists of 28 bits, i.e., the entire LAP and the 4 LSBs of the UAP. In **CONNECTION** state, the address of the master is used. In **page** substate the address of the paged unit is used. When in **inquiry** substate, the UAP/LAP corresponding to the GIAC is used. The output constitutes a pseudo-random sequence, either covering 79 hop or 23 hops, depending on the state.

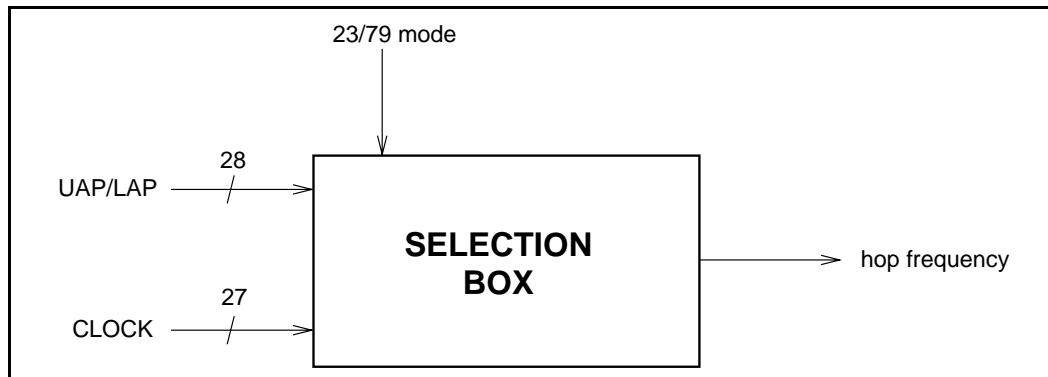


Figure 11.1: General block diagram of hop selection scheme.

For the 79-hop system, the selection scheme chooses a segment of 32 hop frequencies spanning about 64 MHz and visits these hops once in a random order. Next, a different 32-hop segment is chosen, etc. In case of the **page**, **page scan**, or **page response** substates, the same 32-hop segment is used all the time (the segment is selected by the address; different units will have different paging segments). In connection state, the output constitutes a pseudo-random sequence that slides through the 79 hops or 23 hops, depending on the selected hop system. For the 23-hop systems, the segment size is 16. The principle is depicted in Figure 11.2

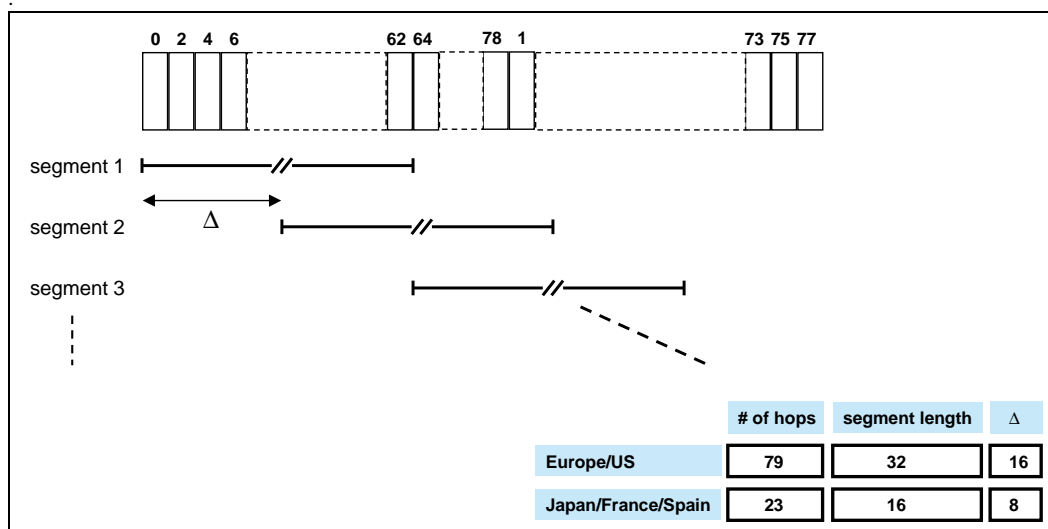


Figure 11.2: Hop selection scheme in CONNECTION state.



### 11.2 SELECTION KERNEL

The hop selection kernels for the 79 hop system and the 23 hop system are shown in Figure 11.3 on page 129 and Figure 11.4 on page 129, respectively. The X input determines the phase in the 32-hop segment, whereas Y1 and Y2 selects between master-to-slave and slave-to-master transmission. The inputs A to D determine the ordering within the segment, the inputs E and F determine the mapping onto the hop frequencies. The kernel addresses a register containing the hop frequencies. This list should be created such that first all even hop frequencies are listed and then all odd hop frequencies. In this way, a 32-hop segment spans about 64 MHz, whereas a 16-hop segment spans the entire 23-MHz.

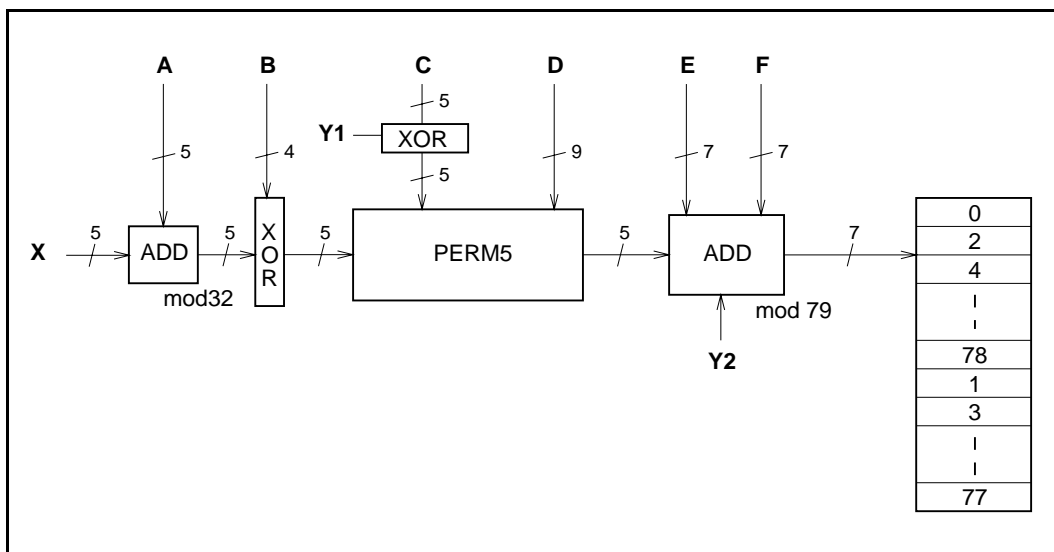


Figure 11.3: Block diagram of hop selection kernel for the 79-hop system.

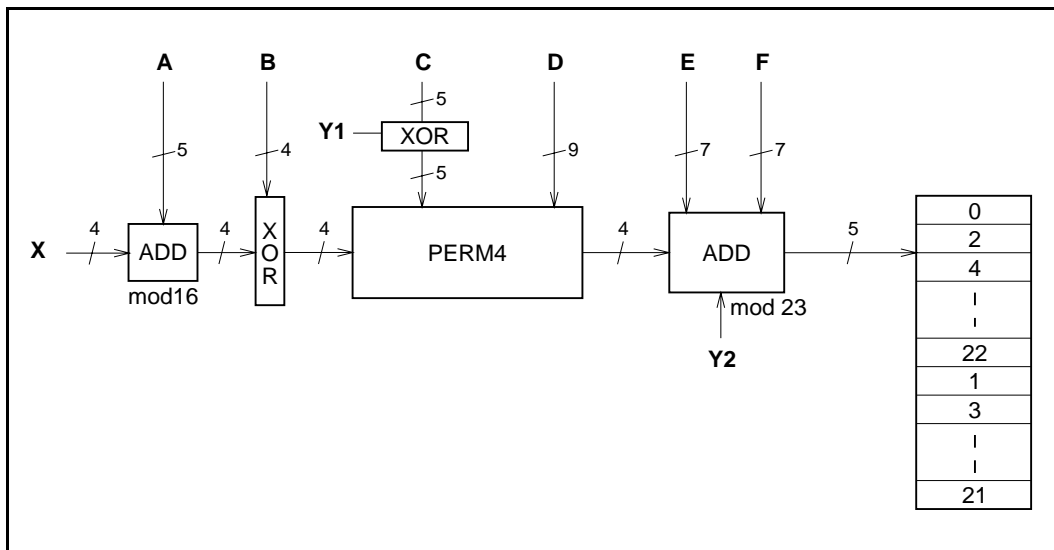


Figure 11.4: Block diagram of hop selection kernel for the 23-hop system.

The selection procedure consists of an addition, an XOR operation, a permutation operation, an addition, and finally a register selection. In the remainder of this chapter, the notation  $A_i$  is used for bit  $i$  of the  $BD\_ADDR$ .

### 11.2.1 First addition operation

The first addition operation only adds a constant to the phase and applies a modulo 32 or a modulo 16 operation. For the page hopping sequence, the first addition is redundant since it only changes the phase within the segment. However, when different segments are concatenated (as in the channel hopping sequence), the first addition operation will have an impact on the resulting sequence.

### 11.2.2 XOR operation

Let  $Z'$  denote the output of the first addition. In the XOR operation, the four LSBs of  $Z'$  are modulo-2 added to the address bits  $A_{22-19}$ . The operation is illustrated in [Figure 11.5 on page 130](#).

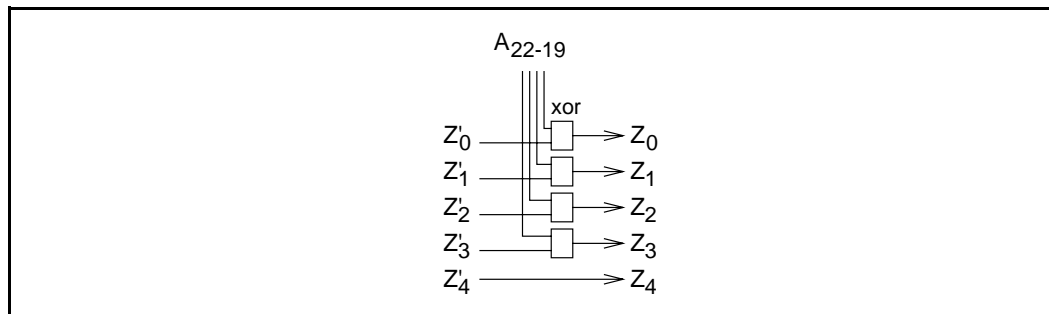


Figure 11.5: XOR operation for the 79-hop system. The 23-hop system is the same except for the  $Z'_4/Z_4$  wire that does not exist.

### 11.2.3 Permutation operation

The permutation operation involves the switching from 5 inputs to 5 outputs for the 79 hop system and from 4 inputs to 4 outputs for 23 hop system, in a manner controlled by the control word. In [Figure 11.6 on page 132](#) and [Figure 11.7 on page 132](#) the permutation or switching box is shown. It consists of 7 stages of butterfly operations. [Table 11.1](#) and [Table 11.2](#) shows the control of the butterflies by the control signals P. Note that  $P_{0-8}$  corresponds to  $D_{0-8}$ , and,  $P_{i+9}$  corresponds to  $C_i \oplus Y1$  for  $i = 0 \dots 4$  in [Figure 11.3](#) and [Figure 11.4](#).

Control signal	Butterfly		Control signal	Butterfly
P <sub>0</sub>	{Z <sub>0</sub> ,Z <sub>1</sub> }		P <sub>8</sub>	{Z <sub>1</sub> ,Z <sub>4</sub> }
P <sub>1</sub>	{Z <sub>2</sub> ,Z <sub>3</sub> }		P <sub>9</sub>	{Z <sub>0</sub> ,Z <sub>3</sub> }
P <sub>2</sub>	{Z <sub>1</sub> ,Z <sub>2</sub> }		P <sub>10</sub>	{Z <sub>2</sub> ,Z <sub>4</sub> }
P <sub>3</sub>	{Z <sub>3</sub> ,Z <sub>4</sub> }		P <sub>11</sub>	{Z <sub>1</sub> ,Z <sub>3</sub> }
P <sub>4</sub>	{Z <sub>0</sub> ,Z <sub>4</sub> }		P <sub>12</sub>	{Z <sub>0</sub> ,Z <sub>3</sub> }
P <sub>5</sub>	{Z <sub>1</sub> ,Z <sub>3</sub> }		P <sub>13</sub>	{Z <sub>1</sub> ,Z <sub>2</sub> }
P <sub>6</sub>	{Z <sub>0</sub> ,Z <sub>2</sub> }			
P <sub>7</sub>	{Z <sub>3</sub> ,Z <sub>4</sub> }			

Table 11.1: Control of the butterflies for the 79 hop system

Control signal	Butterfly		Control signal	Butterfly
P <sub>0</sub>	{Z <sub>0</sub> ,Z <sub>1</sub> }		P <sub>8</sub>	{Z <sub>0</sub> ,Z <sub>2</sub> }
P <sub>1</sub>	{Z <sub>2</sub> ,Z <sub>3</sub> }		P <sub>9</sub>	{Z <sub>1</sub> ,Z <sub>3</sub> }
P <sub>2</sub>	{Z <sub>0</sub> ,Z <sub>3</sub> }		P <sub>10</sub>	{Z <sub>0</sub> ,Z <sub>3</sub> }
P <sub>3</sub>	{Z <sub>1</sub> ,Z <sub>2</sub> }		P <sub>11</sub>	{Z <sub>1</sub> ,Z <sub>2</sub> }
P <sub>4</sub>	{Z <sub>0</sub> ,Z <sub>2</sub> }		P <sub>12</sub>	{Z <sub>0</sub> ,Z <sub>1</sub> }
P <sub>5</sub>	{Z <sub>1</sub> ,Z <sub>3</sub> }		P <sub>13</sub>	{Z <sub>2</sub> ,Z <sub>3</sub> }
P <sub>6</sub>	{Z <sub>0</sub> ,Z <sub>1</sub> }			
P <sub>7</sub>	{Z <sub>2</sub> ,Z <sub>3</sub> }			

Table 11.2: Control of the butterflies for the 23 hop system

The Z input is the output of the XOR operation as described in the previous section. The butterfly operation can be implemented with multiplexers as depicted in [Figure 11.8 on page 132](#).

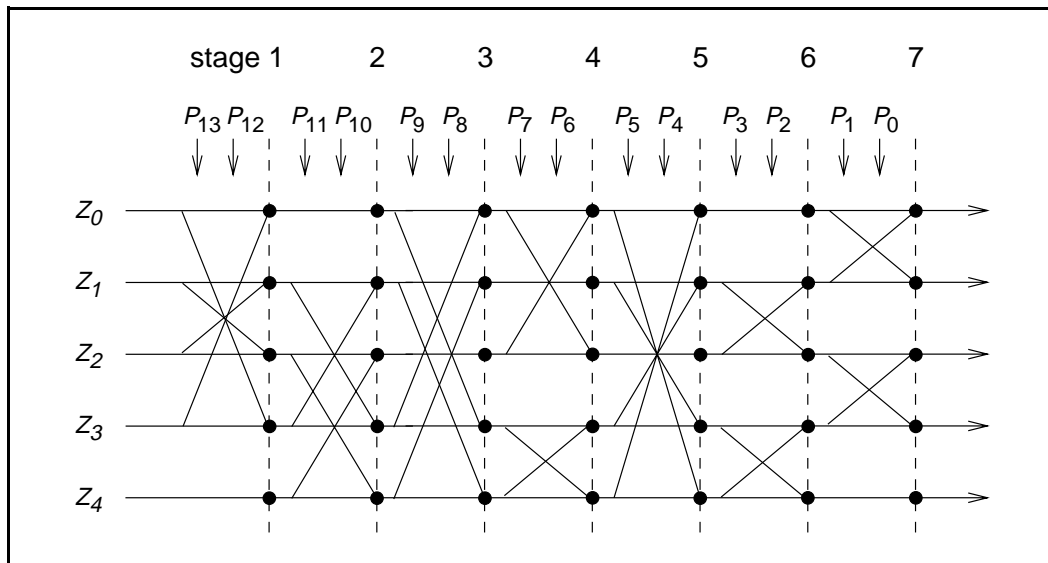


Figure 11.6: Permutation operation for the 79 hop system.

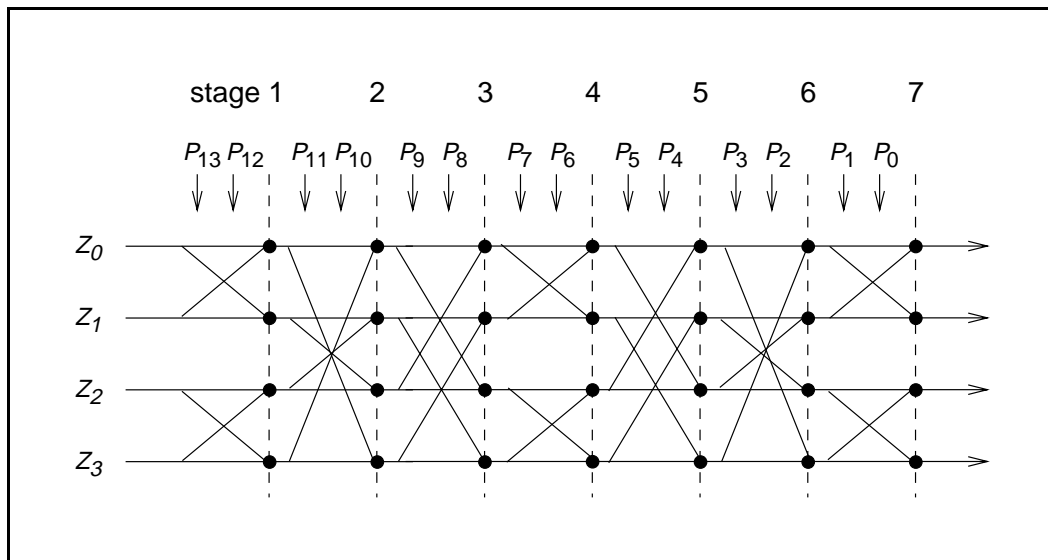


Figure 11.7: Permutation operation for the 23 hop system.

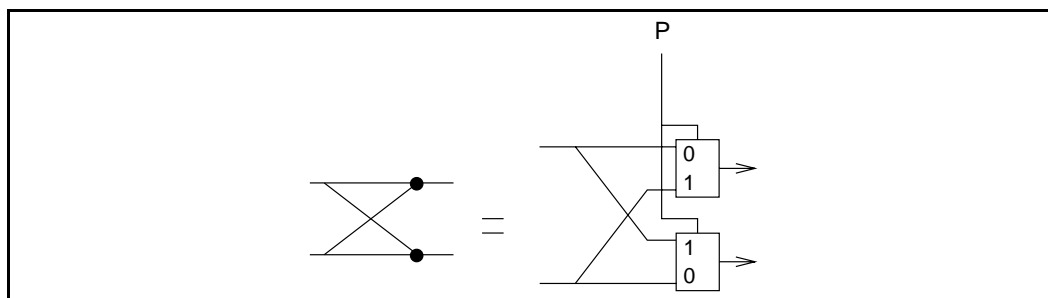


Figure 11.8: Butterfly implementation.

### 11.2.4 Second addition operation

The addition operation only adds a constant to the output of the permutation operation. As a result, the 16-hop or 32-hop segment is mapped differently on the hop frequencies. The addition is applied modulo 79 or modulo 23 depending on the system type (Europe/US vs. others).

### 11.2.5 Register bank

The output of the adder addresses a bank of 79 or 23 registers. The registers are loaded with the synthesizer code words corresponding to the hop frequencies 0 to 78 or 0 to 22. Note that the upper half of the bank contains the even hop frequencies, whereas the lower half of the bank contains the odd hop frequencies.

## 11.3 CONTROL WORD

In the following section  $X_{j:i}$ ,  $i < j$ , will denote bits  $i, i+1, \dots, j$  of the bit vector  $X$ . By convention,  $X_0$  is the least significant bit of the vector  $X$ .

The control word  $P$  of the kernel is controlled by the overall control signals  $X$ ,  $Y1$ ,  $Y2$ , and  $A$  to  $F$  as illustrated in [Figure 11.3 on page 129](#) and [Figure 11.4 on page 129](#). During paging and inquiry, the inputs  $A$  to  $E$  use the address values as given in the corresponding columns of [Table 11.3 on page 134](#) and [Table 11.4 on page 134](#). In addition, the inputs  $X$ ,  $Y1$  and  $Y2$  are used. The  $F$  input is unused. In the 79-hop system, the clock bits  $CLK_{6-2}$  (i.e., input  $X$ ) specifies the phase within the length 32 sequence, while for the 23-hop system,  $CLK_{5-2}$  specifies the phase within the length 16 sequence. For both systems,  $CLK_1$  (i.e., inputs  $Y1$  and  $Y2$ ) is used to select between TX and RX. The address inputs determine the sequence order within segments. The final mapping onto the hop frequencies is determined by the register contents.

In the following we will distinguish between three types of clocks: the piconet's master clock, the Bluetooth unit's native clock, and the clock estimate of a paged Bluetooth unit. These types are marked in the following way:

1.  $CLK_{27-0}$ : Master clock of the current piconet.
2.  $CLKN_{27-0}$ : Native clock of the unit.
3.  $CLKE_{27-0}$ : The paging unit's estimate of the paged unit's native clock.

During the **CONNECTION** state, the inputs  $A$ ,  $C$  and  $D$  result from the address bits being bit-wise XORed with the clock bits as shown in the "Connection state" column of [Table 11.3 on page 134](#) and [Table 11.4 on page 134](#) (the two MSBs are XORed together, the two second MSBs are XORed together, etc.). Consequently, after every 32 (16) time slots, a new length 32 (16) segment is selected in the 79-hop (23-hop) system. The sequence order within a specific

segment will not be repeated for a very long period. Thus, the overall hopping sequence consists of concatenated segments of 32-hops each. Since each 32-hop sequence spans more than 80% of the 79 MHz band, the desired frequency spreading over a short time interval is obtained.

	Page scan/ Inquiry scan	Page/Inquiry	Page response (master/slave) and Inquiry response	Connection state
X	$CLKN_{16-12}$	$Xp_{4-0}^{(79)}/Xi_{4-0}^{(79)}$	$Xprm_{4-0}^{(79)}/Xprs_{4-0}^{(79)}$	$CLK_{6-2}$
Y1	0	$CLKE_1/CLKN_1$	$CLKE_1/CLKN_1$	$CLK_1$
Y2	0	$32 \times CLKE_1/32 \times CLKN_1$	$32 \times CLKE_1/32 \times CLKN_1$	$32 \times CLK_1$
A	$A_{27-23}$	$A_{27-23}$	$A_{27-23}$	$A_{27-23} \oplus CLK_{25-21}$
B	$A_{22-19}$	$A_{22-19}$	$A_{22-19}$	$A_{22-19}$
C	$A_{8,6,4,2,0}$	$A_{8,6,4,2,0}$	$A_{8,6,4,2,0}$	$A_{8,6,4,2,0} \oplus CLK_{20-16}$
D	$A_{18-10}$	$A_{18-10}$	$A_{18-10}$	$A_{18-10} \oplus CLK_{15-7}$
E	$A_{13,11,9,7,5,3,1}$	$A_{13,11,9,7,5,3,1}$	$A_{13,11,9,7,5,3,1}$	$A_{13,11,9,7,5,3,1}$
F	0	0	0	$16 \times CLK_{27-7} \bmod 79$

Table 11.3: Control for 79-hop system.

	Page scan/ Inquiry scan	Page/Inquiry	Page response (master/slave) and Inquiry response	Connection state
X	$CLKN_{15-12}$	$Xp_{3-0}^{(23)}/Xi_{3-0}^{(23)}$	$Xprm_{3-0}^{(23)}/Xprs_{3-0}^{(23)}$	$CLK_{5-2}$
Y1	0	$CLKE_1/CLKN_1$	$CLKE_1/CLKN_1$	$CLK_1$
Y2	0	$16 \times CLKE_1/16 \times CLKN_1$	$16 \times CLKE_1/16 \times CLKN_1$	$16 \times CLK_1$
A	$A_{27-23}$	$A_{27-23}$	$A_{27-23}$	$A_{27-23} \oplus CLK_{25-21}$
B	$A_{22-19}$	$A_{22-19}$	$A_{22-19}$	$A_{22-19}$
C	$A_{8,6,4,2,0}$	$A_{8,6,4,2,0}$	$A_{8,6,4,2,0}$	$A_{8,6,4,2,0} \oplus CLK_{20-16}$
D	$A_{18-10}$	$A_{18-10}$	$A_{18-10}$	$A_{18-10} \oplus CLK_{15-7}$
E	$A_{13,11,9,7,5,3,1}$	$A_{13,11,9,7,5,3,1}$	$A_{13,11,9,7,5,3,1}$	$A_{13,11,9,7,5,3,1}$
F	0	0	0	$8 \times CLK_{27-6} \bmod 23$

Table 11.4: Control for 23-hop system.

### 11.3.1 Page scan and Inquiry scan substates

In **page scan**, the Bluetooth device address of the scanning unit is used as address input. In **inquiry scan**, the GIAC LAP and the four LSBs of the DCI (as  $A_{27-24}$ ), are used as address input for the hopping sequence. Naturally, for the transmitted access code and in the receiver correlator, the appropriate GIAC or DIAC is used. The application decides which inquiry access code to use depending on the purpose of the inquiry.

The five  $X$  input bits vary depending on the current state of the unit. In the **page scan** and **inquiry scan** substates, the native clock (CLKN) is used. In **CONNECTION** state the master clock (CLK) is used as input. The situation is somewhat more complicated for the other states.

### 11.3.2 Page substate

In the **page** substate of the 79-hop system, the paging unit shall start using the **A**-train, i.e.,  $\{f(k-8), \dots, f(k), \dots, f(k+7)\}$ , where  $f(k)$  is the source's estimate of the current receiver frequency in the paged unit. Clearly, the index  $k$  is a function of all the inputs in Figure 11.3. There are 32 possible paging frequencies within each 1.28 second interval. Half of these frequencies belongs to the **A**-train, the rest (i.e.,  $\{f(k+8), \dots, f(k+15), f(k-16), \dots, f(k-9)\}$ ) belongs to the **B**-train. In order to achieve the -8 offset of the **A**-train, a constant of 24 can be added to the clock bits (which is equivalent to -8 due to the modulo 32 operation). Clearly, the **B**-train may be accomplished by setting the offset to 8. A cyclic shift of the order within the trains is also necessary in order to avoid a possible repetitive mismatch between the paging and scanning units. Thus,

$$X_p^{(79)} = [\text{CLKE}_{16-12} + k_{\text{offset}} + (\text{CLKE}_{4-2,0} - \text{CLKE}_{16-12}) \bmod 16] \bmod 32, \quad (\text{EQ } 2)$$

where

$$k_{\text{offset}} = \begin{cases} 24 & \text{A-train,} \\ 8 & \text{B-train.} \end{cases} \quad (\text{EQ } 3)$$

Alternatively, each switch between the **A**- and **B**-trains may be accomplished by adding 16 to the current value of  $k_{\text{offset}}$  (originally initialized with 24).

In the **page** substate of the 23-hop system, the paging unit makes use of the **A**-train only. A constant offset of 8 is used in order to start with  $f(k-8)$ . Moreover, only four bits are needed since the additions are modulo 16. Consequently,

$$X_p^{(23)} = [\text{CLKE}_{15-12} + 8 + \text{CLKE}_{4-2,0}] \bmod 16, \quad (\text{EQ } 4)$$

### 11.3.3 Page response

#### 11.3.3.1 Slave response

A unit in the **page scan** substate recognizing its own access code enters the **slave response** substate. In order to eliminate the possibility of loosing the link due to discrepancies of the native clock CLKN and the master's clock estimate CLKE, the four bits  $CLKN_{16-12}$  must be frozen at their current value. The value is frozen to the content it has in the slot where the recipient's access code is detected. Note that the actual native clock is *not* stopped; it is merely the values of the bits used for creating the X-input that are kept fixed for a while. In the sequel, a frozen value is marked by an asterisk (\*).

For each response slot the paged unit will use an X-input value one larger (modulo 32 or 16) than in the preceding response slot. However, the first response is made with the X-input kept at the same value as it was when the access code was recognized. Let  $N$  be a counter starting at zero. Then, the X-input in the  $(N + 1)$ -th response slot (the first response slot being the one immediately following the page slot now responding to) of the **slave response** substate becomes

$$X_{prs}^{(79)} = [CLKN^*_{16-12} + N] \bmod 32, \quad (\text{EQ 5})$$

and

$$X_{prs}^{(23)} = [CLKN^*_{15-12} + N] \bmod 16, \quad (\text{EQ 6})$$

for the 79-hop and 23-hop systems, respectively. The counter  $N$  is set to zero in the slot where the slave acknowledges the page (see [Figure 10.6 on page 105](#) and [Figure 10.7 on page 105](#)). Then, the value of  $N$  is increased by one each time  $CLKN_1$  is set to zero, which corresponds to the start of a master TX slot. The X-input is constructed this way until the first accepted **FHS** packet is received *and* the immediately following response packet has been transmitted. After this the slave enters the **CONNECTION** state using the parameters received in the **FHS** packet.

#### 11.3.3.2 Master response

The paging unit enters **master response** substate upon receiving a slave response. Clearly, also the master must freeze its estimated slave clock to the value that triggered a response from the paged unit. It is equivalent to using the values of the clock estimate when receiving the slave response (since only  $CLKE_1$  will differ from the corresponding page transmission). Thus, the values are frozen when the slave **ID** packet is received. In addition to the used clock bits, also the current value of  $k_{offset}$  must be frozen. The master will adjust its X-input in the same way the paged unit does, i.e., by incrementing this value by



one for each time  $CLKE_1$  is set to zero. The first increment shall be done before sending the **FHS** packet to the paged unit. Let  $N$  be a counter starting at one. The rules for forming the X-inputs become

$$X_{prm}^{(79)} = [CLKE^*_{16-12} + k_{offset}^* + (CLKE^*_{4-2,0} - CLKE^*_{16-12}) \bmod 16 + N] \bmod 32, \quad (\text{EQ } 7)$$

and

$$X_{prm}^{(23)} = [CLKE^*_{15-12} + 8 + CLKE^*_{4-2,0} + N] \bmod 16, \quad (\text{EQ } 8)$$

for the 79-hop and 23-hop systems, respectively. The value of  $N$  is increased each time  $CLKE_1$  is set to zero, which corresponds to the start of a master TX slot.

### 11.3.4 Inquiry substate

The X-input of the **inquiry** substate is quite similar to what is used in the **page** substate. Since no particular unit is addressed, the native clock  $CLKN$  of the inquirer is used. Moreover, which of the two train offsets to start with is of no real concern in this state. Consequently,

$$X_i^{(79)} = [CLKN_{16-12} + k_{offset} + (CLKN_{4-2,0} - CLKN_{16-12}) \bmod 16] \bmod 32, \quad (\text{EQ } 9)$$

where  $k_{offset}$  is defined by (EQ 3). The initial choice of the offset is arbitrary. For the 23-hop system,

$$X_i^{(23)} = [CLKN_{15-12} + 8 + CLKN_{4-2,0}] \bmod 16, \quad (\text{EQ } 10)$$

The GIAC LAP and the four LSBs of the DCI (as  $A_{27-24}$ ) are used as address input for the hopping sequence generator.

### 11.3.5 Inquiry response

The **inquiry response** substate is similar to the **slave response** with respect to the X-input. Thus, (EQ 5) and (EQ 6) holds. However, the counter  $N$  is increased not on  $CLKN_1$  basis, but rather after each **FHS** packet has been transmitted in response to the inquiry.

The GIAC LAP and the four LSBs of the DCI (as  $A_{27-24}$ ) are used as address input for the hopping sequence generator. The other input bits to the generator are the same as in the case of page response.

### 11.3.6 Connection state

In **CONNECTION** state, the clock bits to use in the channel hopping sequence generation are always according to the master clock, CLK. The address bits are taken from the Bluetooth device address of the master.

## 12 BLUETOOTH AUDIO

On the Bluetooth air-interface, either a 64 kb/s log PCM format (A-law or  $\mu$ -law) is used, or a 64 kb/s CVSD (Continuous Variable Slope Delta Modulation) is used. The latter format applies an adaptive delta modulation algorithm with syllabic companding.

The voice coding on the line interface should have a quality equal to or better than the quality of 64 kb/s log PCM.

[Table 12.1 on page 139](#) summarizes the voice coding schemes supported on the air interface. The appropriate voice coding scheme is selected after negotiations between the Link Managers.

Voice Codecs	
linear	CVSD
8-bit logarithmic	A-law
	$\mu$ -law

Table 12.1: Voice coding schemes supported on the air interface.

### 12.1 LOG PCM CODEC

Since the voice channels on the air-interface can support a 64 kb/s information stream, a 64 kb/s log PCM traffic can be used for transmission. Either A-law or  $\mu$ -law compression can be applied. In the event that the line interface uses A-law and the air interface uses  $\mu$ -law or vice versa, a conversion from A-law to  $\mu$ -law is performed. The compression method follows ITU-T recommendations G. 711.

### 12.2 CVSD CODEC

A more robust format for voice over the air interface is a delta modulation. This modulation scheme follows the waveform where the output bits indicate whether the prediction value is smaller or larger than the input waveform. To reduce slope overload effects, syllabic companding is applied: the step size is adapted according to the average signal slope. The input to the CVSD encoder is 64 ksamples/s linear PCM. Block diagrams of the CVSD encoder and CVSD decoder are shown in [Figure 12.1 on page 140](#), [Figure 12.2 on page 140](#) and [Figure 12.3 on page 140](#). The system is clocked at 64 kHz.

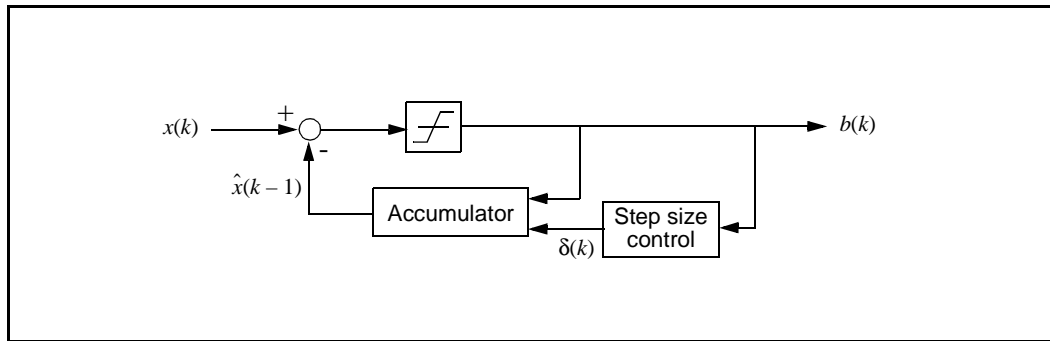


Figure 12.1: Block diagram of CVSD encoder with syllabic companding.

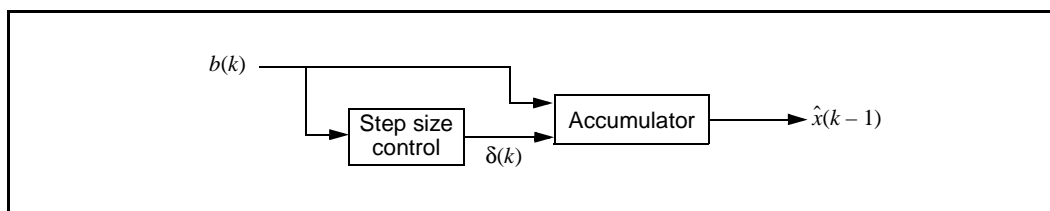


Figure 12.2: Block diagram of CVSD decoder with syllabic companding.

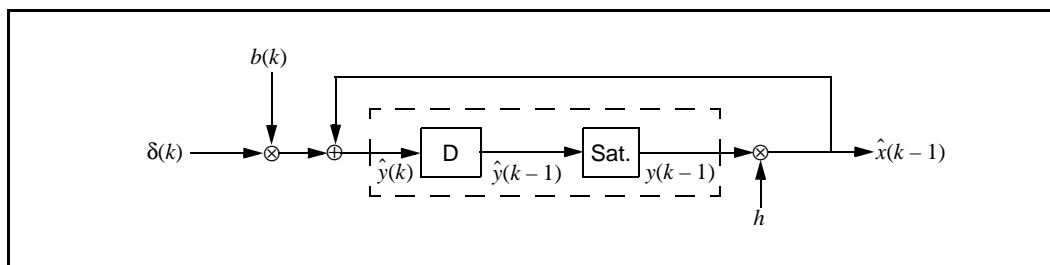


Figure 12.3: Accumulator procedure

Let  $\text{sgn}(x) = 1$  for  $x \geq 0$ , otherwise  $\text{sgn}(x) = -1$ . On air these numbers are represented by the sign bit; i.e. negative numbers are mapped on “1” and positive numbers are mapped on “0”. Denote the CVSD encoder output bit  $b(k)$ , the accumulator contents  $y(k)$ , and the step size  $\delta(k)$ . Furthermore, let  $h$  be the decay factor for the accumulator, let  $\beta$  denote the decay factor for the step size, and, let  $\alpha$  be the syllabic companding parameter. The latter parameter monitors the slope by considering the  $K$  most recent output bits

Let

$$\hat{x}(k) = hy(k). \tag{EQ 11}$$

Then, the CVSD encoder internal state is updated according to the following set of equations:

$$b(k) = \text{sgn}\{x(k) - \hat{x}(k - 1)\}, \tag{EQ 12}$$

$$\alpha = \begin{cases} 1, & \text{if } J \text{ bits in the last } K \text{ output bits are equal,} \\ 0, & \text{otherwise,} \end{cases} \quad (\text{EQ 13})$$

$$\delta(k) = \begin{cases} \min\{\delta(k-1) + \delta_{min}, \delta_{max}\}, & \alpha = 1, \\ \max\{\beta\delta(k-1), \delta_{min}\}, & \alpha = 0, \end{cases} \quad (\text{EQ 14})$$

$$y(k) = \begin{cases} \min\{\hat{y}(k), y_{max}\}, & \hat{y}(k) \geq 0. \\ \max\{\hat{y}(k), y_{min}\}, & \hat{y}(k) < 0. \end{cases} \quad (\text{EQ 15})$$

where

$$\hat{y}(k) = \hat{x}(k-1) + b(k)\delta(k). \quad (\text{EQ 16})$$

In these equations,  $\delta_{min}$  and  $\delta_{max}$  are the minimum and maximum step sizes, and,  $y_{min}$  and  $y_{max}$  are the accumulator's negative and positive saturation values, respectively.

For a 64 kb/s CVSD, the parameters as shown in [Table 12.2](#) must be used. The numbers are based on a 16 bit signed number output from the accumulator. These values result in a time constant of 0.5 ms for the accumulator decay, and a time constant of 16 ms for the step size decay

Parameter	Value
$h$	$1 - \frac{1}{32}$
$\beta$	$1 - \frac{1}{1024}$
$J$	4
$K$	4
$\delta_{min}$	10
$\delta_{max}$	1280
$y_{min}$	$-2^{15}$ or $-2^{15} + 1$
$y_{max}$	$2^{15} - 1$

Table 12.2: CVSD parameter values. The values are based on a 16 bit signed number output from the accumulator.

## 12.3 ERROR HANDLING

In the **DV** and **HV3** packet, the voice is not protected by FEC. The quality of the voice in an error-prone environment then depends on the robustness of the voice coding scheme. CVSD, in particular, is rather insensitive to random bit errors, which are experienced as white background noise. However, when a packet is rejected because either the channel access code or the HEC test was unsuccessful, measures have to be taken to “fill” in the lost speech segment.

The voice payload in the **HV2** packet is protected by a 2/3 rate FEC. If errors occur which cannot be corrected, these should be ignored. That is, from the 15-bit FEC segment with uncorrected errors, the 10-bit information part as found before the FEC decoder should be used. The **HV1** packet is protected by a 3-repeat FEC. In the majority detection scheme uncorrected errors cannot occur.

## 12.4 GENERAL AUDIO REQUIREMENTS

These specifications are tentative and will be fixed within 18 months after the release of the Bluetooth Specification version 1.0 Draft Foundation.

### 12.4.1 Signal levels

For A-law and  $\mu$ -law log-PCM encoded signals the requirements on signal levels follows ITU-T G.711.

Full swing at the 16 bit linear PCM interface to the CVSD encoder is defined to be 3 dBm0. A digital CVSD encoded test signal is provided in a Test Signal file available on the [website](#). This signal is generated by a software implementation of a reference CVSD encoder. The digital encoder input signal (1020 Hz, sine-wave) generating the test signal has a nominal power of -15 dBm0. When the CVSD encoded test signal is fed through the CVSD receiver chain, the nominal output power should be  $-15 \pm 1.0$  dBm0.

### 12.4.2 CVSD audio quality

For Bluetooth audio quality the requirements are put on the transmitter side. The 64 ksamples/s linear PCM input signal must have negligible spectral power density above 4 kHz. A set of reference input signals are encoded by the transmitter and sent through a reference decoder (available on the [website](#)). The power spectral density in the 4-32 kHz band of the decoded signal at the 64 ksamples/s linear PCM output, should be more than 20 dB below the maximum in the 0-4 kHz range.

## 13 BLUETOOTH ADDRESSING

### 13.1 BLUETOOTH DEVICE ADDRESS (BD\_ADDR)

Each Bluetooth transceiver is allocated a unique 48-bit Bluetooth device address (BD\_ADDR). This address is derived from the IEEE802 standard. This 48-bit address is divided into three fields:

- LAP field: lower address part consisting of 24 bits
- UAP field: upper address part consisting of 8 bits
- NAP field: non-significant address part consisting of 16 bits

The LAP and UAP form the significant part of the BD\_ADDR. The total address space obtained is  $2^{32}$ .

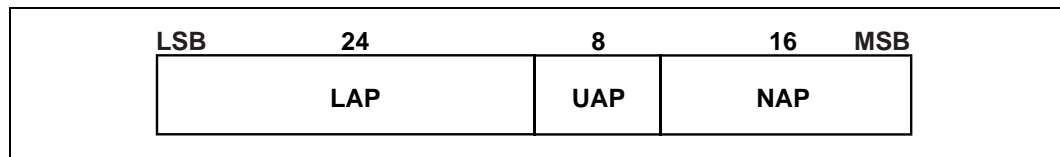


Figure 13.1: Format of BD\_ADDR

### 13.2 ACCESS CODES

In the Bluetooth system, 72-bit and 68-bit access codes are used for signalling purposes. Three different access codes are defined, see also [Section 4.2.1 on page 48](#):

- device access code (DAC)
- channel access code (CAC)
- inquiry access code (IAC)

There is one general IAC (GIAC) for general inquiry operations and there are 63 dedicated IACs (DIACs) for dedicated inquiry operations. All codes are derived from a LAP of the BD\_ADDR. The device access code is used during page, page scan and page response substates. It is a code derived from the unit's BD\_ADDR. The channel access code characterizes the channel of the piconet and forms the preamble of all packets exchanged on the channel. The channel access code is derived from the LAP of the master BD\_ADDR. Finally, the inquiry access code is used in inquiry operations. A general inquiry access code is common to all Bluetooth units; a set of dedicated inquiry access codes is used to inquire for classes of devices.

The access code is also used to indicate to the receiver the arrival of a packet. It is used for timing synchronization and offset compensation. The receiver correlates against the entire sync word in the access code, providing a very robust signalling. During channel setup, the code itself is used as an ID packet to sup-

port the acquisition process. In addition, it is used during random access procedures in the PARK state.

The access code consists of preamble, sync word and a trailer, see [Section 4.2 on page 48](#). The next two sections describe the generation of the sync word.

### 13.2.1 Synchronization word definition

The sync words are based on a (64,30) expurgated block code with an overlay (bit-wise XOR) of an 64 bit full length PN-sequence. The expurgated code guarantees large Hamming distance ( $d_{min} = 14$ ) between sync words based on different addresses. The PN sequence improves the autocorrelation properties of the access code. The following steps describe how to generate the sync word:

1. Generate information sequence;
2. XOR this with the “information covering” part of the PN overlay sequence;
3. Generate the codeword;
4. XOR the codeword with all 64 bits of the PN overlay sequence;

The information sequence is generated by appending 6 bits to the 24 bit LAP (step 1). The appended bits are 001101 if the MSB of the LAP equals 0. If the MSB of the LAP is 1 the appended bits are 110010. The LAP MSB together with the appended bits constitute a length-seven Barker sequence. The purpose of including a Barker sequence is to further improve the autocorrelation properties. In step 2 the information is pre-scrambled by XORing it with the bits  $p_{34} \dots p_{63}$  of the *pseudo-random noise* (PN) sequence (defined in [section 13.2.2 on page 146](#)). After generating the codeword (step 3), the complete PN sequence is XORed to the codeword (step 4). This step de-scrambles the information part of the codeword. At the same time the parity bits of the codeword are scrambled. Consequently, the original LAP and Barker sequence are ensured a role as a part of the access code sync word, and the cyclic properties of the underlying code is removed. The principle is depicted in [Figure 13.2 on page 145](#)

In the sequel, binary sequences will be denoted by their corresponding D-transform (in which  $D^i$  represents a delay of  $i$  time units). Let

$p'(D) = p'_0 + p'_1 D + \dots + p'_{62} D^{62}$  be the 63 bit pseudo-random sequence, where  $p'_0$  is the first bit (LSB) leaving the PRNG (see [Figure 13.3 on page 147](#)), and,  $p'_{62}$  is the last bit (MSB). To obtain 64 bits, an extra zero is appended at the end of this sequence (thus,  $p'(D)$  is unchanged). For notational convenience, the reciprocal of this extended polynomial,  $p(D) = D^{63} p'(1/D)$ , will be used in the sequel. This is the sequence  $p'(D)$  in reverse order. We denote the 24 bit lower



address part (LAP) of the Bluetooth address by  $a(D) = a_0 + a_1D + \dots + a_{23}D^{23}$  ( $a_0$  is the LSB of the Bluetooth address).

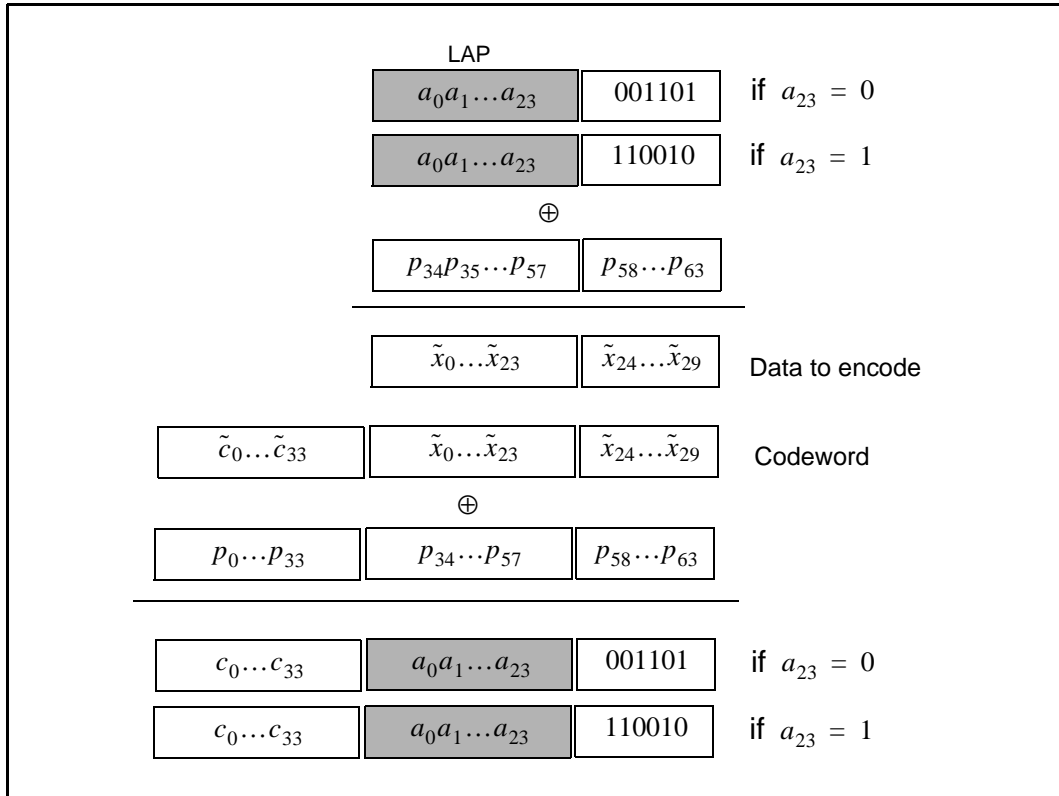


Figure 13.2: Construction of the sync word.

The (64,30) block code generator polynomial is denoted  $g(D) = (1 + D)g'(D)$ , where  $g'(D)$  is the generator polynomial 157464165547 (octal notation) of a primitive binary (63,30) BCH code. Thus, in octal notation we have

$$g(D) = 260534236651, \tag{EQ 17}$$

the left-most bit corresponds to the high-order ( $g_{34}$ ) coefficient. The DC-free four bit sequences 0101 and 1010 can be written

$$\begin{cases} F_0(D) = D + D^3, \\ F_1(D) = 1 + D^2, \end{cases} \tag{EQ 18}$$

respectively. Furthermore, we define

$$\begin{cases} B_0(D) = D^2 + D^3 + D^5, \\ B_1(D) = 1 + D + D^4, \end{cases} \quad (\text{EQ 19})$$

which are used to create the length seven Barker sequences. Then, the access code is generated by the following procedure:

1. Format the 30 information bits to encode:

$$x(D) = a(D) + D^{24}B_{a_{23}}(D).$$

2. Add the information covering part of the PN overlay sequence:

$$\tilde{x}(D) = x(D) + p_{34} + p_{35}D + \dots + p_{63}D^{29}.$$

3. Generate parity bits of the (64,30) expurgated block code:<sup>1</sup>

$$\tilde{c}(D) = D^{34}\tilde{x}(D) \bmod g(D).$$

4. Create the codeword:

$$\tilde{s}(D) = D^{34}\tilde{x}(D) + \tilde{c}(D).$$

5. Add the PN sequence:

$$s(D) = \tilde{s}(D) + p(D).$$

6. Append the (DC-free) preamble and trailer:

$$y(D) = F_{c_0}(D) + D^4s(D) + D^{68}F_{a_{23}}(D).$$

### 13.2.2 Pseudo-random noise sequence generation

To generate the pseudo-random noise sequence we use the primitive polynomial  $h(D) = 1 + D + D^3 + D^4 + D^6$ . The LFSR and its starting state are shown in [Figure 13.3 on page 147](#). The PN sequence generated (including the extra terminating zero) becomes (hexadecimal notation) 83848D96BBCC54FC. The LFSR output starts with the left-most bit of this PN sequence. This corresponds to  $p(D)$  of the previous section. Thus, using the reciprocal  $p(D)$  as overlay gives the 64 bit sequence

$$p = 3F2A33DD69B121C1, \quad (\text{EQ 20})$$

1.  $x(D) \bmod y(D)$  denotes the rest when  $x(D)$  is divided by  $y(D)$ .

where the left-most bit is  $p_0 = 0$  (there are two initial zeros in the binary representation of the hexadecimal digit 3), and  $p_{63} = 1$  is the right-most bit.

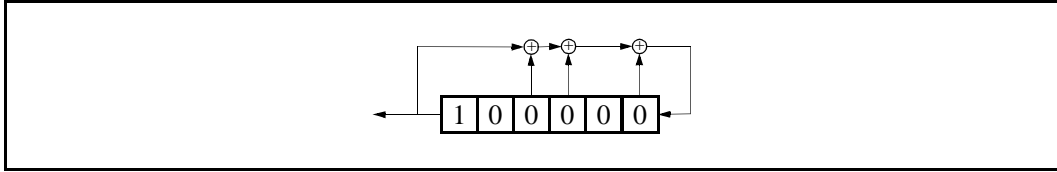


Figure 13.3: LFSR and the starting state to generate  $p'(D)$

### 13.2.3 Reserved addresses for GIAC and DIAC

There is a block of 64 contiguous LAPs reserved for Bluetooth inquiry operations; one LAP common to all Bluetooth devices is reserved for general inquiry, the remaining 63 LAPs are reserved for dedicated inquiry of specific classes of Bluetooth devices. The same 64-block is used regardless of the contents of UAP and NAP. Consequently, none of these LAPs can be part of a user BD\_ADDR.

When initializing HEC and CRC for the FHS packet of **inquiry response**, the UAP is replaced by DCI. Likewise, whenever one of the reserved BD\_ADDRs is used for generating a frequency hop sequence, the UAP will be replaced by the DCI.

*The reserved LAP addresses are tentatively chosen as 0x9E8B00–0x9E8B3F. The general inquiry LAP is tentatively chosen to 0x9E8B33. All addresses have the LSB at the rightmost position, hexadecimal notation.*

## 13.3 ACTIVE MEMBER ADDRESS (AM\_ADDR)

Each slave active in a piconet is assigned a 3-bit active member address (AM\_ADDR). The all-zero AM\_ADDR is reserved for broadcast messages. The master does not have an AM\_ADDR. Its timing relative to the slaves distinguishes it from the slaves. A slave only accepts a packet with a matching AM\_ADDR and broadcast packets. The AM\_ADDR is carried in the packet header. The AM\_ADDR is only valid as long as a slave is active on the channel. As soon as it is disconnected or parked, it loses the AM\_ADDR.

The AM\_ADDR is assigned by the master to the slave when the slave is activated. This is either at connection establishment or when the slave is unparked. At connection establishment, the AM\_ADDR is carried in the **FHS** payload (the **FHS** header itself carries the all-zero AM\_ADDR). When unparking, the AM\_ADDR is carried in the unpark message.

### **13.4 PARKED MEMBER ADDRESS (PM\_ADDR)**

A slave in park mode can be identified by its BD\_ADDR or by a dedicated parked member address (PM\_ADDR). This latter address is a 8-bit member address that separates the parked slaves. The PM\_ADDR is only valid as long as the slave is parked. When the slave is activated it is assigned an AM\_ADDR but loses the PM\_ADDR. The PM\_ADDR is assigned to the slave the moment it is parked.

The all-zero PM\_ADDR is reserved for parked slaves that only use their BD\_ADDR to be unparked.

### **13.5 ACCESS REQUEST ADDRESS (AR\_ADDR)**

The access request address is used by the parked slave to determine the slave-to-master half slot in the access window it is allowed to send access request messages in, see also [Section 10.8.4.6 on page 120](#). The AR\_ADDR is assigned to the slave when it enters the park mode and is only valid as long as the slave is parked. The AR\_ADDR is not necessarily unique; i.e. different parked slaves may have the same AR\_ADDR.

## 14 BLUETOOTH SECURITY

The Bluetooth technology provides peer-to-peer communications over short distances. In order to provide usage protection and information confidentiality, the system has to provide security measures both at the application layer and the link layer. These measures shall be appropriate for a peer environment. This means that in each Bluetooth unit, the authentication and encryption routines are implemented in the same way. Four different entities are used for maintaining security at the link layer: a public address which is unique for each user<sup>1</sup>, two secret keys, and a random number which is different for each new transaction. The four entities and their sizes as used in Bluetooth are summarized in [Table 14.1](#).

Entity	Size
BD_ADDR	48 bits
Private user key, authentication	128 bits
Private user key, encryption configurable length (byte-wise)	8-128 bits
RAND	128 bits

Table 14.1: Entities used in authentication and encryption procedures.

The Bluetooth device address (BD\_ADDR) is the 48-bit IEEE address which is unique for each Bluetooth unit. The Bluetooth addresses are publicly known, and can be obtained via MMI interactions, or, automatically, via an inquiry routine by a Bluetooth unit.

The secret keys are derived during initialization and are further never disclosed. Normally, the encryption key is derived from the authentication key during the authentication process. For the authentication algorithm, the size of the key used is always 128 bits. For the encryption algorithm, the key size may vary between 1 and 16 octets (8 - 128 bits). The size of the encryption key shall be configurable for two reasons. The first has to do with the many different requirements imposed on cryptographic algorithms in different countries – both w.r.t. export regulations and official attitudes towards privacy in general. The second reason is to facilitate a future upgrade path for the security without the need of a costly redesign of the algorithms and encryption hardware; increasing the effective key size is the simplest way to combat increased computing power at the opponent side. Currently (1999) it seems that an encryption key size of 64 bits gives satisfying protection for most applications.

The encryption key is entirely different from the authentication key (even though the latter is used when creating the former, as is described in [Section 14.5.4 on page 177](#)). Each time encryption is activated, a new encryption key

1. The BD\_ADDR is not a secured identity.

shall be generated. Thus, the lifetime of the encryption key does not necessarily correspond to the lifetime of the authentication key.

It is anticipated that the authentication key will be more static in its nature than the encryption key – once established, the particular application running on the Bluetooth device decides when, or if, to change it. To underline the fundamental importance of the authentication key to a specific Bluetooth link, it will often be referred to as the link key.

The RAND is a random number which can be derived from a random or pseudo-random process in the Bluetooth unit. This is not a static parameter, it will change frequently.

In the remainder of this chapter, the terms user and application will be used interchangeably to designate the entity that is at the originating or receiving side.

## 14.1 RANDOM NUMBER GENERATION

Each Bluetooth unit has a random number generator. Random numbers are used for many purposes within the security functions – for instance, for the challenge-response scheme, for generating authentication and encryption keys, etc. Ideally, a true random generator based on some physical process with inherent randomness is used. Examples of such processes are thermal noise from a semiconductor or resistor and the frequency instability of a free running oscillator. For practical reasons, a software based solution with a pseudo-random generator is probably preferable. In general, it is quite difficult to classify the randomness of a pseudo-random sequence. Within Bluetooth, the requirements placed on the random numbers used are that they be non-repeating and randomly generated.

The expression ‘non-repeating’ means that it shall be highly unlikely that the value should repeat itself within the lifetime of the authentication key. For example, a non-repeating value could be the output of a counter that is unlikely to repeat during the lifetime of the authentication key, or a date/time stamp.

The expression ‘randomly generated’ means that it shall not be possible to predict its value with a chance that is significantly larger than 0 (e.g., greater than  $1/2^L$  for a key length of L bits).

Clearly, the LM can use such a generator for various purposes; i.e. whenever a random number is needed (such as the RANDs, the unit keys,  $K_{init}$ ,  $K_{master}$ , and random back-off or waiting intervals).

## 14.2 KEY MANAGEMENT

It is important that the encryption key size within a specific unit cannot be set by the user – this must be a factory preset entity. In order to prevent the user

from over-riding the permitted key size, the Bluetooth baseband processing does not accept an encryption key given from higher software layers. Whenever a new encryption key is required, it must be created as defined in [Section 14.5.4 on page 177](#).

Changing a link key should also be done through the defined baseband procedures. Depending on what kind of link key it is, different approaches are required. The details are found in [Section 14.2.2.7 on page 157](#).

### 14.2.1 Key types

The link key is a 128-bit random number which is shared between two or more parties and is the base for all security transactions between these parties. The link key itself is used in the authentication routine. Moreover, the link key is used as one of the parameters when the encryption key is derived.

In the following, a session is defined as the time interval for which the unit is a member of a particular piconet. Thus, the session terminates when the unit disconnects from the piconet.

The link keys are either semi-permanent or temporary. A semi-permanent link key is stored in non-volatile memory and may be used after the current session is terminated. Consequently, once a semi-permanent link key is defined, it may be used in the authentication of several subsequent connections between the Bluetooth units sharing it. The designation semi-permanent is justified by the possibility to change it. How to do this is described in [Section 14.2.2.7 on page 157](#).

The lifetime of a temporary link key is limited by the lifetime of the current session – it cannot be reused in a later session. Typically, in a point-to-multipoint configuration where the same information is to be distributed securely to several recipients, a common encryption key is useful. To achieve this, a special link key (denoted master key) can temporarily replace the current link keys. The details of this procedure are found in [Section 14.2.2.6 on page 157](#).

In the sequel we sometimes refer to what is denoted as the current link key. This is simply the link key in use at the current moment. It can be semi-permanent or temporary. Thus, the current link key is used for all authentications and all generation of encryption keys in the on-going connection (session).

In order to accommodate for different types of applications, four types of link keys have been defined:

- the combination key  $K_{AB}$
- the unit key  $K_A$
- the temporary key  $K_{\text{master}}$
- the initialization key  $K_{\text{init}}$

In addition to these keys there is an encryption key, denoted  $K_c$ . This key is derived from the current link key. Whenever the encryption is activated by a LM command, the encryption key shall be changed automatically. The purpose of separating the authentication key and encryption key is to facilitate the use of a shorter encryption key without weakening the strength of the authentication procedure. There are no governmental restrictions on the strength of authentication algorithms. However, in some countries, such restrictions exist on the strength of encryption algorithms.

For a Bluetooth unit, the combination key  $K_{AB}$  and the unit key  $K_A$  are functionally indistinguishable; the difference is in the way they are generated. The unit key  $K_A$  is generated in, and therefore dependent on, a single unit A. The unit key is generated once at installation of the Bluetooth unit; thereafter, it is very rarely changed. The combination key is derived from information in both units A and B, and is therefore always dependent on two units. The combination key is derived for each new combination of two Bluetooth units.

It depends on the application or the device whether a unit key or a combination key is used. Bluetooth units which have little memory to store keys, or, when installed in equipment that must be accessible to a large group of users, will preferably use their own unit key. In that case, they only have to store a single key. Applications that require a higher security level preferably use the combination keys. These applications will require more memory since a combination key for each link to a different Bluetooth unit has to be stored.

The master key,  $K_{\text{master}}$ , is a link key only used during the current session. It will replace the original link key only temporarily. For example, this may be utilized when a master wants to reach more than two Bluetooth units simultaneously using the same encryption key, see [Section 14.2.2.6 on page 157](#).

The initialization key,  $K_{\text{init}}$ , is used as link key during the initialization process when no combination or unit keys have been defined and exchanged yet or when a link key has been lost. The initialization key protects the transfer of initialization parameters. The key is derived from a random number, an L-octet PIN code, and the BD\_ADDR of the claimant unit. This key is only to be used during initialization.

The PIN can be a fixed number provided with the Bluetooth unit (for example when there is no MMI as in a PSTN plug). Alternatively, the PIN can be selected arbitrarily by the user, and then entered in both units that have to be matched. The latter procedure is used when both units have an MMI, for example a phone and a laptop. Entering a PIN in both units is more secure than using a fixed PIN in one of the units, and should be used whenever possible. Even if a fixed PIN is used, it shall be possible to change the PIN; this in order to prevent re-initialization by users who once got hold of the PIN. If no PIN is available, a default value of zero is to be used.

For many applications the PIN code will be a relatively short string of numbers. Typically, it may consist of only four decimal digits. Even though this gives suffi-



cient security in many cases, there exist countless other, more sensitive, situations where this is not reliable enough. Therefore, the PIN code can be chosen to be any length from 1 to 16 octets. For the longer lengths, we envision the units exchanging PIN codes not through mechanical (i.e. human) interaction, but rather through means supported by software at the application layer. For example, this can be a Diffie-Hellman key agreement, where the exchanged key is passed on to the  $K_{init}$  generation process in both units, just as in the case of a shorter PIN code.

### 14.2.2 Key generation and initialization

The link keys have to be generated and distributed among the Bluetooth units in order to be used in the authentication procedure. Since the link keys must be secret, they cannot be obtained through an inquiry routine in the same way as the Bluetooth addresses. The exchange of the keys takes place during an initialization phase which has to be carried out separately for each two units that want to implement authentication and encryption. All initialization procedures consist of the following five parts:

- generation of an initialization key
- authentication
- generation of link key
- link key exchange
- generating of encryption key in each unit

After the initialization procedure, the units can proceed to communicate, or the link can be disconnected. If encryption is implemented, the  $E_0$  algorithm is used with the proper encryption key derived from the current link key. For any new connection established between units A and B, they will use the common link key for authentication, instead of once more deriving  $K_{init}$  from the PIN. A new encryption key derived from that particular link key will be created next time encryption is activated.

If no link key is available, the LM shall automatically start an initialization procedure.

#### 14.2.2.1 Generation of initialization key, $K_{init}$

A link key used temporarily during initialization is derived – the initialization key  $K_{init}$ . This key is derived by the  $E_{22}$  algorithm from the BD\_ADDR of the claimant unit, a PIN code, the length of the PIN (in octets), and a random number  $IN\_RAND_A$  issued (and created) by verifier. The principle is depicted in [Figure 14.15 on page 177](#). The 128-bit output from  $E_{22}$  will be used for key exchange during the generation of a link key. It is also used for authentication when two

units have no record of a previous link key. When the units have performed the link key exchange, the initialization key shall be discarded.

When the initialization key is generated, the PIN is augmented with the BD\_ADDR of the claimant unit. Since the maximum length of the PIN used in the algorithm cannot exceed 16 octets, it is possible that not all octets of BD\_ADDR will be used. This procedure ensures that  $K_{init}$  depends on the identity of the unit trying to connect to it (at least when short PIN codes are used). A fraudulent Bluetooth unit may try to test a large number of PINs by each time claiming another BD\_ADDR. It is the application's responsibility to take countermeasures against this threat. If the device address is kept fixed, the waiting interval until next try is permitted is increased exponentially (see [Section 14.4.1 on page 170](#)).

The details of the  $E_{22}$  algorithm can be found in [Section 14.5.3 on page 175](#).

#### 14.2.2.2 Authentication

The authentication procedure is carried out as described in [Section 14.4 on page 169](#). If the two units have not been in contact before, the initialization key  $K_{init}$  is used as link key. Note that during each authentication, a new  $AU\_RAND_A$  is issued.

Mutual authentication is achieved by first performing the authentication procedure in one direction and, if successful, immediately followed by performing the authentication procedure in the opposite direction.

As a side effect of a successful authentication procedure an auxiliary parameter, the Authenticated Ciphering Offset (ACO), will be computed. The ACO is used for ciphering key generation as described in [Section 14.2.2.5 on page 156](#). In case of mutual authentication, the ACO value from the second authentication is retained. However, in some situations an authentication event may be initiated simultaneously in both devices. When this happens, there is no way of telling which is the first and which is the second event. Then, both units shall use the ACO resulting from the challenge generated in the master unit.

The claimant/verifier status is determined by the LM.

#### 14.2.2.3 Generation of a unit key

A unit key  $K_A$  is generated when the Bluetooth unit is for the first time in operation; i.e. not during each initialization! The unit key is generated by the  $E_{21}$  algorithm as described in [Section 14.5.3 on page 175](#). Once created, the unit key is stored in non-volatile memory and (almost) never changed. If after initialization the unit key is changed, the previously initialized units will possess a wrong link key. At initialization, the application has to determine which of the

two parties will provide the unit key as link key. Typically, this will be the unit with restricted memory capabilities, since this unit only has to remember its own unit key. The unit key is transferred to the other party and then stored as link key for that particular party. So, for example in [Figure 14.1 on page 155](#), the unit key of unit A,  $K_A$ , is being used as link key for the connection A-B; unit A sends the unit key  $K_A$  to unit B; unit B will store  $K_A$  as the link key  $K_{BA}$ . For another initialization, for example with unit C, unit A will reuse its unit key  $K_A$ , whereas unit C stores it as  $K_{CA}$ .

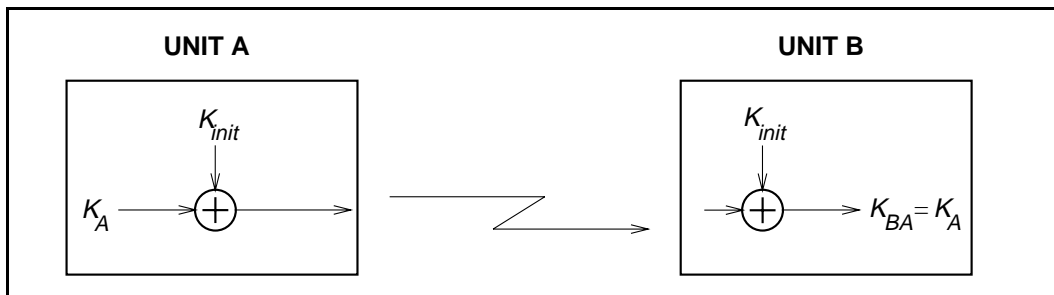


Figure 14.1: Generation of unit key. When the unit key has been exchanged, the initialization key shall be discarded in both units.

#### 14.2.2.4 Generation of a combination key

If it is desired to use a combination key, this key is first generated during the initialization procedure. The combination key is the combination of two numbers generated in unit A and B, respectively. First, each unit generates a random number, say  $LK\_RAND_A$  and  $LK\_RAND_B$ . Then, utilizing  $E_{21}$  with the random number and the own  $BD\_ADDR$ , the two random numbers

$$LK\_K_A = E_{21}(LK\_RAND_A, BD\_ADDR_A), \tag{EQ 21}$$

and

$$LK\_K_B = E_{21}(LK\_RAND_B, BD\_ADDR_B), \tag{EQ 22}$$

are created in unit A and unit B, respectively. These numbers constitute the units' contribution to the combination key that is to be created. Then, the two random numbers  $LK\_RAND_A$  and  $LK\_RAND_B$  are exchanged securely by XOR:ing with the current link key, say  $K$ . Thus, unit A sends  $K \oplus LK\_RAND_A$  to unit B, while unit B sends  $K \oplus LK\_RAND_B$  to unit A. Clearly, if this is done during the initialization phase the link key  $K = K_{init}$ .

When the random numbers  $LK\_RAND_A$  and  $LK\_RAND_B$  have been mutually exchanged, each unit recalculates the other units contribution to the combination key. This is possible since each unit knows the Bluetooth device address of the other unit. Thus, unit A calculates (EQ 22) and unit B calculates (EQ 21).

After this, both units combine the two numbers to generate the 128-bit link key. The combining operation is a simple bitwise modulo-2 addition (i.e. XOR). The result is stored in unit A as the link key  $K_{AB}$  and in unit B as the link key  $K_{BA}$ . When both units have derived the new combination key, a mutual authentication procedure shall be initiated to confirm the success of the transaction. The old link key shall be discarded after a successful exchange of a new combination key. The message flow between master and slave and the principle for creating the combination key is depicted in Figure 14.2 on page 156.

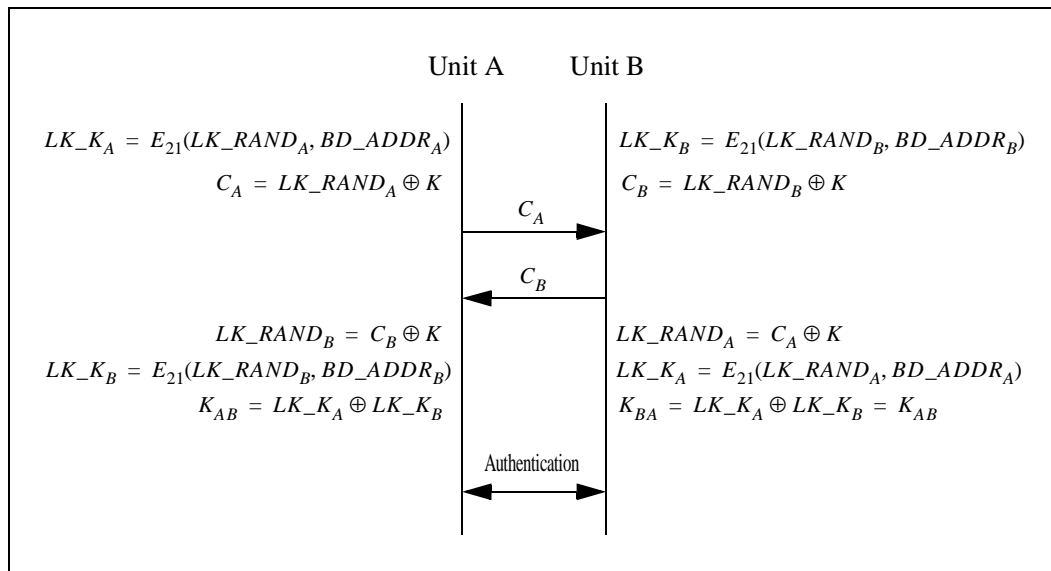


Figure 14.2: Generating a combination key. The old link key ( $K$ ) shall be discarded after the exchange of a new combination key has succeeded

### 14.2.2.5 Generating the encryption key

The encryption key,  $K_C$ , is derived by algorithm  $E_3$  from the current link key, a 96-bit CIPHERING OFFset number (COF), and a 128-bit random number. The COF is determined in one of two ways. If the current link key is a master key, then COF is derived from the master  $BD\_ADDR$ . Otherwise the value of COF is set to the value of ACO as computed during the authentication procedure. More precisely, we have<sup>1</sup>

$$COF = \begin{cases} BD\_ADDR \cup BD\_ADDR, & \text{if link key is a master key} \\ ACO, & \text{otherwise.} \end{cases} \quad (EQ\ 23)$$

There is an explicit call of  $E_3$  when the LM activates encryption. Consequently, the encryption key is automatically changed each time the unit enters the

1.  $x \cup y$  denotes the concatenation of the octet strings  $x$  and  $y$ .

encryption mode. The details of the key generating function  $E_3$  can be found in [Section 14.5.4 on page 177](#).

#### 14.2.2.6 Point-to-multipoint configuration

It is quite possible for the master to use separate encryption keys for each slave in a point-to-multipoint configuration with ciphering activated. Then, if the application requires more than one slave to listen to the same payload, each slave must be addressed individually. This may cause unwanted capacity loss for the piconet. Moreover, a Bluetooth unit (slave) is not capable of switching between two or more encryption keys in real time (e.g., after looking at the AM\_ADDR in the header). Thus, the master cannot use different encryption keys for broadcast messages and individually addressed traffic. Alternatively, the master may tell several slave units to use a common link key (and, hence, indirectly also to use a common encryption key) and broadcast the information encrypted. For many applications, this key is only of temporary interest. In the sequel, this key is denoted  $K_{master}$ .

The transfer of necessary parameters is protected by the routine described in [Section 14.2.2.8 on page 158](#). After the confirmation of successful reception in each slave, the master shall issue a command to the slaves to replace their respective current link key by the new (temporary) master key. Before encryption can be activated, the master also has to generate and distribute a common EN\_RAND to all participating slaves. Using this random number and the newly derived master key, each slave generates a new encryption key.

Note that the master must negotiate what encryption key length to use individually with each slave who wants to use the master key. Since the master has already negotiated at least once with each slave, it has some knowledge of what sizes can be accepted by the different slaves. Clearly, there might be situations where the permitted key lengths of some units are incompatible. In that case, the master must have the limiting unit excluded from the group.

When all slaves have received the necessary data, the master can communicate information on the piconet securely using the encryption key derived from the new temporary link key. Clearly, each slave in possession of the master key can eavesdrop on all encrypted traffic, not only the traffic intended for itself. If so desired, the master can tell all participants to fall back to their old link keys simultaneously.

#### 14.2.2.7 Modifying the link keys

In certain circumstances, it is desirable to be able to modify the link keys. A link key based on a unit key can be changed, but not very easily. The unit key is created once during the first use. Changing the unit key is a less desirable alternative, as several units may share the same unit key as link key (think of a printer whose unit key is distributed among all users using the printer's unit key

as link key). Changing the unit key will require re-initialization of all units trying to connect. In certain cases, this might be desirable; for example to deny access to previously allowed units.

If the key change concerns combination keys, then the procedure is rather straightforward. The change procedure can be identical to the procedure illustrated in [Figure 14.2 on page 156](#), using the current value of the combination key as link key. This procedure can be carried out at any time after the authentication and encryption start. In fact, since the combination key corresponds to a single link, it can be modified each time this link is established. This will improve the security of the system since then old keys lose their validity after each session.

Of course, starting up an entirely new initialization procedure is also a possibility. In that case, user interaction is necessary since a PIN is required in the authentication and encryption procedures.

#### 14.2.2.8 Generating a master key

The key-change routines described so far are semi-permanent. To create the master link key, which can replace the current link key during an initiated session (see [Section 14.2.2.6](#)), other means are needed. First, the master creates a new link key from two 128-bit random numbers, RAND1 and RAND2. This is done by

$$K_{master} = E_{22}(\text{RAND1}, \text{RAND2}, 16). \quad (\text{EQ 24})$$

Clearly, this key is a 128-bit random number. The reason to use the output of  $E_{22}$  and not directly chose a random number as the key, is to avoid possible problems with degraded randomness due to a poor implementation of the random number generator within the Bluetooth unit.

Then, a third random number, say RAND, is transmitted to the slave. Using  $E_{22}$  with the current link key and RAND as inputs, both the master and slave computes a 128-bit overlay. The master sends the bitwise XOR of the overlay and the new link key to the slave. The slave, who knows the overlay, recalculates  $K_{master}$ . To confirm the success of this transaction, the units can perform an authentication procedure using the new link key (with the master as verifier and the slave as claimant). This procedure is then repeated for each slave who shall receive the new link key. The ACO values from the involved authentications should not replace the current existing ACO as this ACO is needed to (re)compute a ciphering key when the master wants to fall back to the previous link (non-temporary) key.

When so required – and potentially long after the actual distribution of the master key – the master activates encryption by an LM command. Before doing that, the master must ensure that all slaves receive the same random number,

say EN\_RAND, since the encryption key is derived through the means of  $E_3$  individually in all participating units. Then, each slave computes a new encryption key,

$$K_C = E_3(K_{master}, EN\_RAND, COF), \tag{EQ 25}$$

where the value of COF is derived from the master's BD\_ADDR as specified by equation (EQ 23). The details on the encryption key generating function can be found in Section 14.5.4 on page 177. The principle of the message flow between the master and slave when generating the master key is depicted in Figure 14.3. Note that in this case the ACO produced during the authentication is not used when computing the ciphering key.

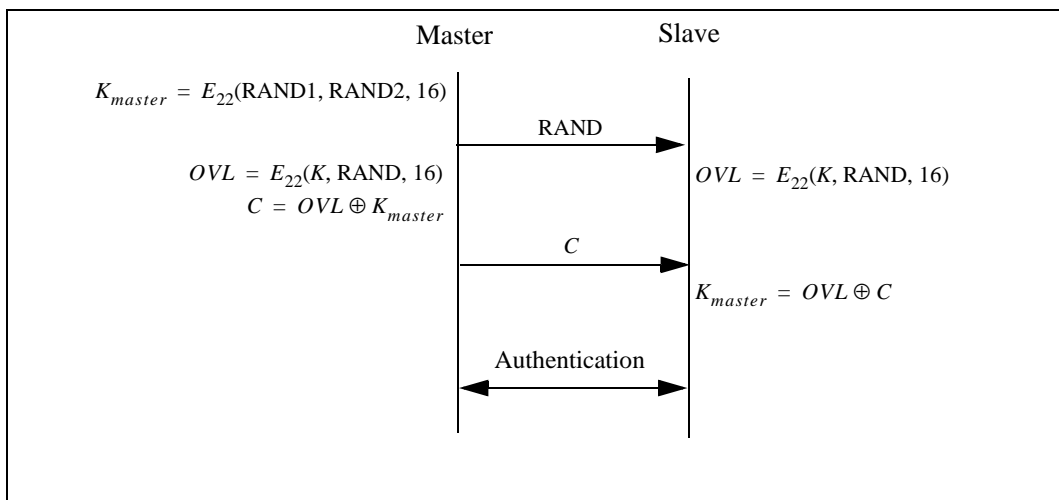


Figure 14.3: Master link key distribution and computation of the corresponding encryption key.

### 14.3 ENCRYPTION

User information can be protected by encryption of the packet payload; the access code and the packet header are never encrypted. The encryption of the payloads is carried out with a stream cipher called  $E_0$  that is re-synchronized for every payload. The overall principle is shown in Figure 14.4 on page 160.

The stream cipher system  $E_0$  consists of three parts. One part performs the initialization (generation of the payload key), the second part generates the key stream bits, and the third part performs the encryption and decryption. The payload key generator is very simple – it merely combines the input bits in an appropriate order and shift them into the four LFSRs used in the key stream generator. The main part of the cipher system is the second, as it also will be used for the initialization. The key stream bits are generated by a method derived from the summation stream cipher generator attributable to Massey and Rueppel. The method has been thoroughly investigated, and there exist good estimates of its strength with respect to presently known methods for cryptanalysis. Although the summation generator has weaknesses that can be

used in so-called correlation attacks, the high re-synchronization frequency will disrupt such attacks.

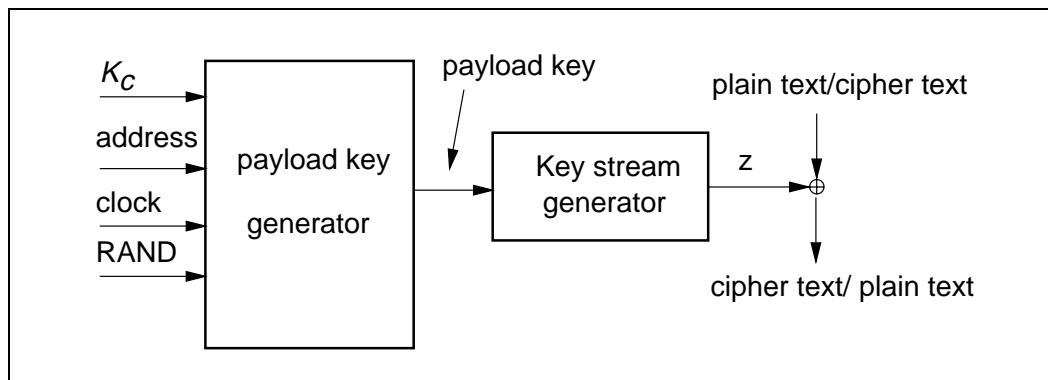


Figure 14.4: Stream ciphering for Bluetooth with  $E_0$ .

### 14.3.1 Encryption key size negotiation

Each Bluetooth device implementing the baseband specification needs a parameter defining the maximal allowed key length,  $L_{max}$ ,  $1 \leq L_{max} \leq 16$  (number of octets in the key). For each application, a number  $L_{min}$  is defined indicating the smallest acceptable key size for that particular application. Before generating the encryption key, the involved units must negotiate to decide what key size to actually use.

The master sends a suggested value,  $L_{sug}^{(M)}$ , to the slave. Initially, the suggested value is set to  $L_{max}^{(M)}$ . If  $L_{min}^{(S)} \leq L_{sug}^{(M)}$ , and, the slave supports the suggested length, the slave acknowledges and this value will be the length of the encryption key for this link. However, if both conditions are not fulfilled, the slave sends a new proposal,  $L_{sug}^{(S)} < L_{sug}^{(M)}$ , to the master. This value should be the largest among all supported lengths less than the previous master suggestion. Then, the master performs the corresponding test on the slave suggestion. This procedure is repeated until a key length agreement is reached, or, one unit aborts the negotiation. An abortion may be caused by lack of support for  $L_{sug}$  and all smaller key lengths, or if  $L_{sug} < L_{min}$  in one of the units. In case of abortion Bluetooth link encryption can not be employed.

The possibility of a failure in setting up a secure link is an unavoidable consequence of letting the application decide whether to accept or reject a suggested key size. However, this is a necessary precaution. Otherwise a fraudulent unit could enforce a weak protection on a link by claiming a small maximum key size.



### 14.3.2 Encryption modes

If a slave has a semi-permanent link key (i.e. a combination key or a unit key), it can only accept encryption on slots individually addressed to itself (and, of course, in the reverse direction to the master). In particular, it will assume that broadcast messages are not encrypted. The possible traffic modes are described in [Table 14.2](#). When an entry in the table refers to a link key, it means that the encryption/decryption engine uses the encryption key derived from that link key.

Broadcast traffic	Individually addressed traffic
No encryption	No encryption
No encryption	Encryption, Semi-permanent link key

Table 14.2: Possible traffic modes for a slave using a semi-permanent link key.

If the slave has received a master key, there are three possible combinations as defined in [Table 14.3 on page 161](#). In this case, all units in the piconet uses a common link key,  $K_{master}$ . Since the master uses encryption keys derived from this link key for all secure traffic on the piconet, it is possible to avoid ambiguity in the participating slaves on which encryption key to use. Also in this case the default mode is that broadcast messages are not encrypted. A specific LM-command is required to activate encryption – both for broadcast and for individually addressed traffic.

Broadcast traffic	Individually addressed traffic
No encryption	No encryption
No encryption	Encryption, $K_{master}$
Encryption, $K_{master}$	Encryption, $K_{master}$

Table 14.3: Possible encryption modes for a slave in possession of a master key.

The master can issue an LM-command to the slaves telling them to fall back to their previous semi-permanent link key. Then, regardless of the previous mode they were in, they will end up in the first row of [Table 14.2 on page 161](#); i.e. no encryption.

### 14.3.3 Encryption concept

For the encryption routine, a stream cipher algorithm will be used in which ciphering bits are bit-wise modulo-2 added to the data stream to be sent over the air interface. The payload is ciphered after the CRC bits are appended, but, prior to the FEC encoding.

Each packet payload is ciphered separately. The cipher algorithm  $E_0$  uses the master Bluetooth address, 26 bits of the master realtime clock ( $CLK_{26-1}$ ) and the encryption key  $K_C$  as input, see Figure 14.5 on page 162 (where it is assumed that unit A is the master).

The encryption key  $K_C$  is derived from the current link key, COF, and a random number,  $EN\_RAND_A$  (see Section 14.5.4 on page 177). The random number is issued by the master before entering encryption mode. Note that  $EN\_RAND_A$  is publicly known since it is transmitted as plain text over the air.

Within the  $E_0$  algorithm, the encryption key  $K_C$  is modified into another key denoted  $K'_C$ . The maximum effective size of this key is factory preset and may be set to any multiple of eight between one and sixteen (8-128 bits). The procedure for deriving the key is described in Section 14.3.5 on page 165.

The real-time clock is incremented for each slot. The  $E_0$  algorithm is re-initialized at the start of each new packet (i.e. for Master-to-Slave as well as for Slave-to-Master transmission). By using  $CLK_{26-1}$  at least one bit is changed between two transmissions. Thus, a new keystream is generated after each re-initialization. For packets covering more than a single slot, the Bluetooth clock as found in the first slot is being used for the entire packet.

The encryption algorithm  $E_0$  generates a binary keystream,  $K_{cipher}$ , which is modulo-2 added to the data to be encrypted. The cipher is symmetric; decryption is performed in exactly the same way using the same key as used for encryption.

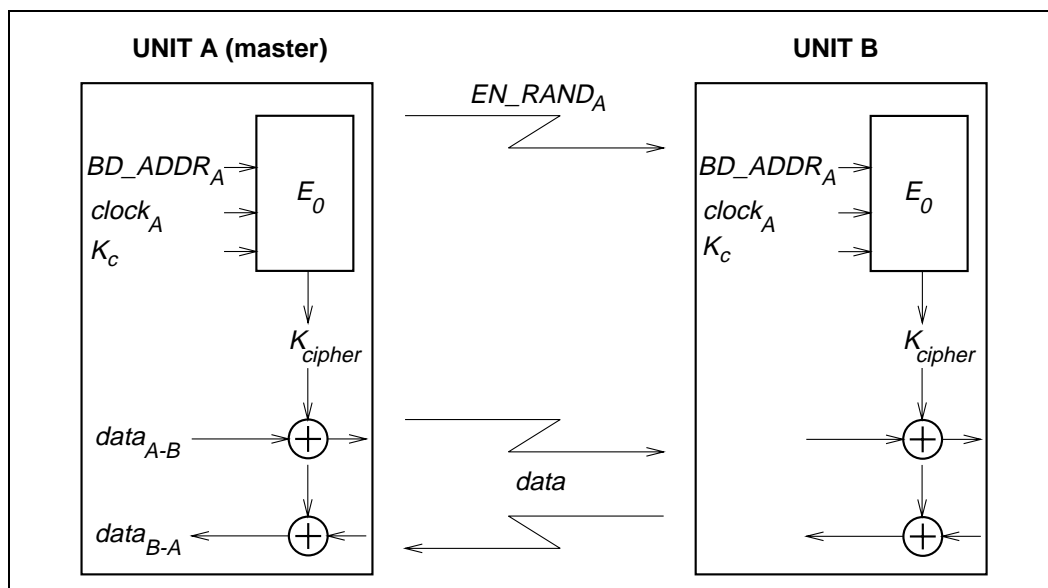


Figure 14.5: Functional description of the encryption procedure

### 14.3.4 Encryption algorithm

The system uses linear feedback shift registers (LFSRs) whose output is combined by a simple finite state machine (called the summation combiner) with 16 states. The output of this state machine is the key stream sequence, or, during initialization phase, the randomized initial start value. The algorithm is presented with an encryption key  $K_C$ , an 48-bit Bluetooth address, the master clock bits  $CLK_{26-1}$ , and a 128-bit RAND value. Figure 14.6 on page 163 shows the setup.

There are four LFSRs (LFSR<sub>1</sub>,...,LFSR<sub>4</sub>) of lengths  $L_1 = 25$ ,  $L_2 = 31$ ,  $L_3 = 33$ , and,  $L_4 = 39$ , with feedback polynomials as specified in Table 14.4 on page 164. The total length of the registers is 128. These polynomials are all primitive. The Hamming weight of all the feedback polynomials is chosen to be five – a reasonable trade-off between reducing the number of required XOR gates in the hardware realization and obtaining good statistical properties of the generated sequences.

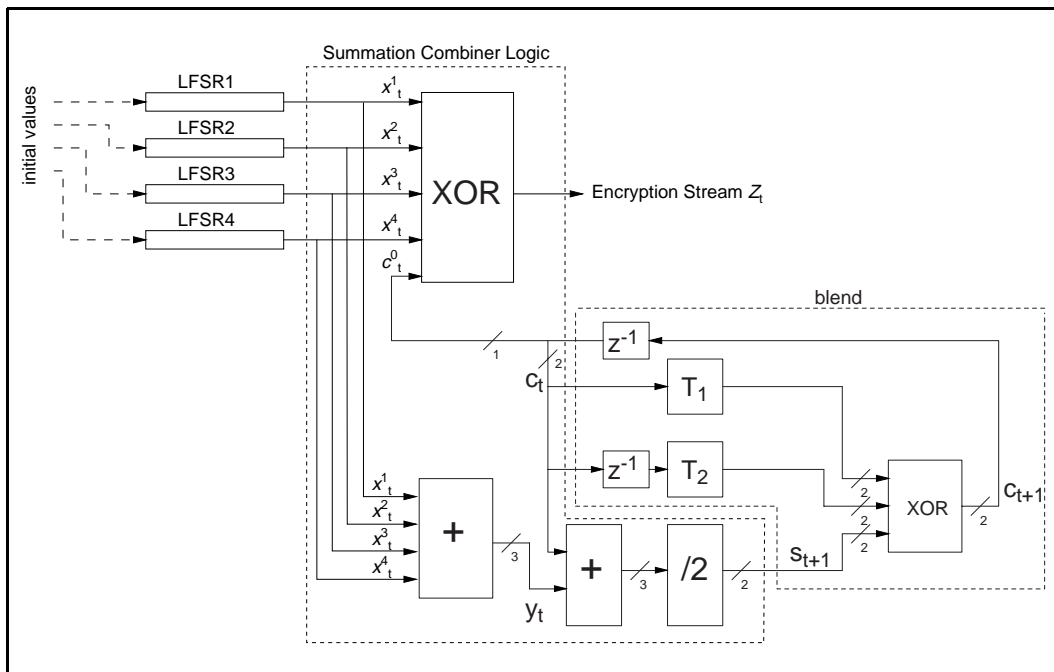


Figure 14.6: Concept of the encryption engine.

$i$	$L_i$	feedback $f_i(t)$	weight
1	25	$t^{25} + t^{20} + t^{12} + t^8 + 1$	5
2	31	$t^{31} + t^{24} + t^{16} + t^{12} + 1$	5
3	33	$t^{33} + t^{28} + t^{24} + t^4 + 1$	5
4	39	$t^{39} + t^{36} + t^{28} + t^4 + 1$	5

Table 14.4: The four primitive feedback polynomials.

Let  $x_t^i$  denote the  $t^{\text{th}}$  symbol of LSFR $_i$ . From the four-tuple  $x_t^1, \dots, x_t^4$  we derive the value  $y_t$  as

$$y_t = \sum_{i=1}^4 x_t^i, \tag{EQ 26}$$

where the sum is over the integers. Thus  $y_t$  can take the values 0,1,2,3, or 4. The output of the summation generator is now given by the following equations

$$z_t = x_t^1 \oplus x_t^2 \oplus x_t^3 \oplus x_t^4 \oplus c_t^0 \in \{0, 1\}, \tag{EQ 27}$$

$$s_{t+1} = (s_{t+1}^1, s_{t+1}^0) = \left\lfloor \frac{y_t + c_t}{2} \right\rfloor \in \{0, 1, 2, 3\}, \tag{EQ 28}$$

$$c_{t+1} = (c_{t+1}^1, c_{t+1}^0) = s_{t+1} \oplus T_1[c_t] \oplus T_2[c_{t-1}], \tag{EQ 29}$$

where  $T_1[.]$  and  $T_2[.]$  are two different linear bijections over GF(4). Suppose GF(4) is generated by the irreducible polynomial  $x^2 + x + 1$ , and let  $\alpha$  be a zero of this polynomial in GF(4). The mappings  $T_1$  and  $T_2$  are now defined as

$$T_1: \text{GF}(4) \rightarrow \text{GF}(4)$$

$$x \mapsto x$$

$$T_2: \text{GF}(4) \rightarrow \text{GF}(4)$$

$$x \mapsto (\alpha + 1)x.$$

We can write the elements of GF(4) as binary vectors. This is summarized in [Table 14.5](#).

Since the mappings are linear, we can realize them using XOR gates; i.e.

$x$	$T_1[x]$	$T_2[x]$
00	00	00
01	01	11
10	10	01
11	11	10

Table 14.5: The mappings  $T_1$  and  $T_2$ .

$$T_1: (x_1, x_0) \mapsto (x_1, x_0),$$

$$T_2: (x_1, x_0) \mapsto (x_0, x_1 \oplus x_0).$$

14.3.4.1 The operation of the cipher

Figure 14.7 on page 165 gives an overview of the operation in time. The encryption algorithm shall run through the initialization phase before the start of transmitting or receiving a new packet. Thus, for multislot packets the cipher is initialized using the clock value of the first slot in the multislot sequence.

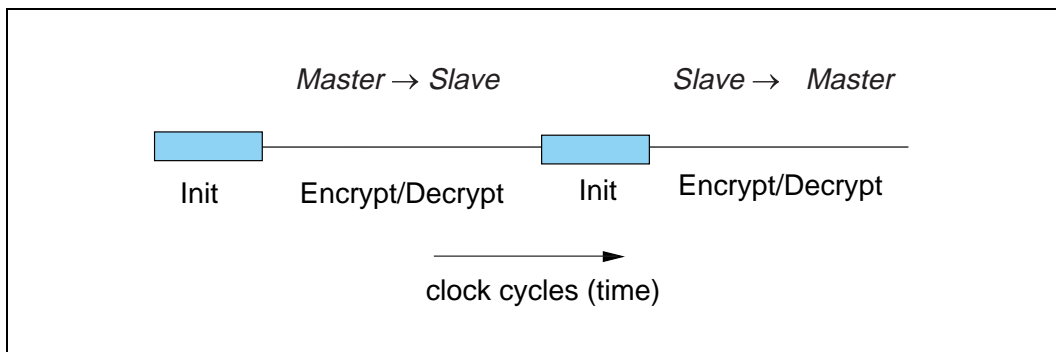


Figure 14.7: Overview of the operation of the encryption engine. Between each start of a packet (TX or RX), the LFSRs are re-initialized.

**14.3.5 LFSR initialization**

The key stream generator needs to be loaded with an initial value for the four LFSRs (in total 128 bits) and the 4 bits that specify the values of  $c_0$  and  $c_{-1}$ . The 132 bit initial value is derived from four inputs by using the key stream generator itself. The input parameters are the key  $K_C$ , a 128-bit random number RAND, a 48-bit Bluetooth address, and the 26 master clock bits  $CLK_{26-1}$ .

The effective length of the encryption key can vary between 8 and 128 bits. Note that the actual key length as obtained from  $E_3$  is 128 bits. Then, within  $E_0$ , the key length is reduced by a modulo operation between  $K_C$  and a polynomial of desired degree. After reduction, the result is encoded with a block code in

order to distribute the starting states more uniformly. The operation is defined in (EQ 30).

When the encryption key has been created the LFSRs are loaded with their initial values. Then, 200 stream cipher bits are created by operating the generator. Of these bits, the last 128 are fed back into the key stream generator as an initial value of the four LFSRs. The values of  $c_t$  and  $c_{t-1}$  are kept. From this point on, when clocked the generator produces the encryption (decryption) sequence which is bitwise XORed to the transmitted (received) payload data.

In the following, we will denote octet  $i$  of a binary sequence  $X$  by the notation  $X[i]$ . We define bit 0 of  $X$  to be the LSB. Then, the LSB of  $X[i]$  corresponds to bit  $8i$  of the sequence  $X$ , the MSB of  $X[i]$  is bit  $8i + 7$  of  $X$ . For instance, bit 24 of the Bluetooth address is the LSB of  $ADR[3]$ .

The details of the initialization are as follows:

1. Create the encryption key to use from the 128-bit secret key  $K_C$  and the 128-bit publicly known  $EN\_RAND$ . Let  $L$ ,  $1 \leq L \leq 16$ , be the effective key length in number of octets. The resulting encryption key will be denoted  $K'_C$ :

$$K'_C(x) = g_2^{(L)}(x)(K_C(x) \bmod g_1^{(L)}(x)), \quad (\text{EQ 30})$$

where  $\deg(g_1^{(L)}(x)) = 8L$  and  $\deg(g_2^{(L)}(x)) \leq 128 - 8L$ . The polynomials are defined in [Table 14.6](#).

2. Shift in the 3 inputs  $K'_C$ , the Bluetooth address, the clock, and the six-bit constant 111001 into the LFSRs. In total 208 bits are shifted in.
  - a) Open all switches shown in [Figure 14.8 on page 168](#);
  - b) Arrange inputs bits as shown in [Figure 14.8](#); Set the content of all shift register elements to zero. Set  $t = 0$ .
  - c) Start shifting bits into the LFSRs. The rightmost bit at each level of [Figure 14.8](#) is the first bit to enter the corresponding LFSR.
  - d) When the first input bit at level  $i$  reaches the rightmost position of  $LFSR_i$ , close the switch of this LFSR.
  - e) At  $t = 39$  (when the switch of  $LFSR_4$  is closed), reset both blend registers  $c_{39} = c_{39-1} = 0$ ; Up to this point, the content of  $c_t$  and  $c_{t-1}$  has been of no concern. However, from this moment forward their content will be used in computing the output sequence.
  - f) From now on output symbols are generated. The remaining input bits are continuously shifted into their corresponding shift register. When the last bit has been shifted in, the shift register is clocked with input = 0;

Note: When finished,  $LFSR_1$  has effectively clocked 30 times with feedback closed,  $LFSR_2$  has clocked 24 times,  $LFSR_3$  has

clocked 22 times, and LFSR<sub>4</sub> has effectively clocked 16 times with feedback closed.

3. To mix initial data, continue to clock until 200 symbols have been produced with all switches closed ( $t = 239$ );
4. Keep blend registers  $c_t$  and  $c_{t-1}$ , make a parallel load of the last 128 generated bits into the LFSRs according to Figure 14.9 at  $t = 240$ ;

After the parallel load in item 4, the blend register contents will be updated for each subsequent clock.

$L$	deg	$g_1^{(L)}$	deg	$g_2^{(L)}$
1	[8]	00000000 00000000 00000000 0000011d	[119]	00e275a0 abd218d4 cf928b9b bf6cb08f
2	[16]	00000000 00000000 00000000 0001003f	[112]	0001e3f6 3d7659b3 7f18c258 cff6efef
3	[24]	00000000 00000000 00000000 010000db	[104]	000001be f66c6c3a b1030a5a 1919808b
4	[32]	00000000 00000000 00000001 000000af	[96]	00000001 6ab89969 de17467f d3736ad9
5	[40]	00000000 00000000 00000100 00000039	[88]	00000000 01630632 91da50ec 55715247
6	[48]	00000000 00000000 00010000 00000291	[77]	00000000 00002c93 52aa6cc0 54468311
7	[56]	00000000 00000000 01000000 00000095	[71]	00000000 000000b3 f7fffcce2 79f3a073
8	[64]	00000000 00000001 00000000 0000001b	[63]	00000000 00000000 a1ab815b c7ec8025
9	[72]	00000000 00000100 00000000 00000609	[49]	00000000 00000000 0002c980 11d8b04d
10	[80]	00000000 00010000 00000000 00000215	[42]	00000000 00000000 0000058e 24f9a4bb
11	[88]	00000000 01000000 00000000 0000013b	[35]	00000000 00000000 0000000c a76024d7
12	[96]	00000001 00000000 00000000 000000dd	[28]	00000000 00000000 00000000 1c9c26b9
13	[104]	00000100 00000000 00000000 0000049d	[21]	00000000 00000000 00000000 0026d9e3
14	[112]	00010000 00000000 00000000 0000014f	[14]	00000000 00000000 00000000 00004377
15	[120]	01000000 00000000 00000000 000000e7	[7]	00000000 00000000 00000000 00000089
16	[128]	1 00000000 00000000 00000000 00000000	[0]	00000000 00000000 00000000 00000001

Table 14.6: Polynomials used when creating  $K_C$ .

All polynomials are in hexadecimal notation. The LSB is in the rightmost position.

In Figure 14.8, all bits are shifted into the LFSRs, starting with the least significant bit (LSB). For instance, from the third octet of the address, ADR[2], first ADR<sub>16</sub> is entered, followed by ADR<sub>17</sub>, etc. Furthermore, CL<sub>0</sub> corresponds to CLK<sub>1,...</sub>, CL<sub>25</sub> corresponds to CLK<sub>26</sub>.

Note that the output symbols  $x_p^i, i = 1, \dots, 4$  are taken from the positions 24, 24, 32, and 32 for LFSR<sub>1</sub>, LFSR<sub>2</sub>, LFSR<sub>3</sub>, and LFSR<sub>4</sub>, respectively (counting the leftmost position as number 1).

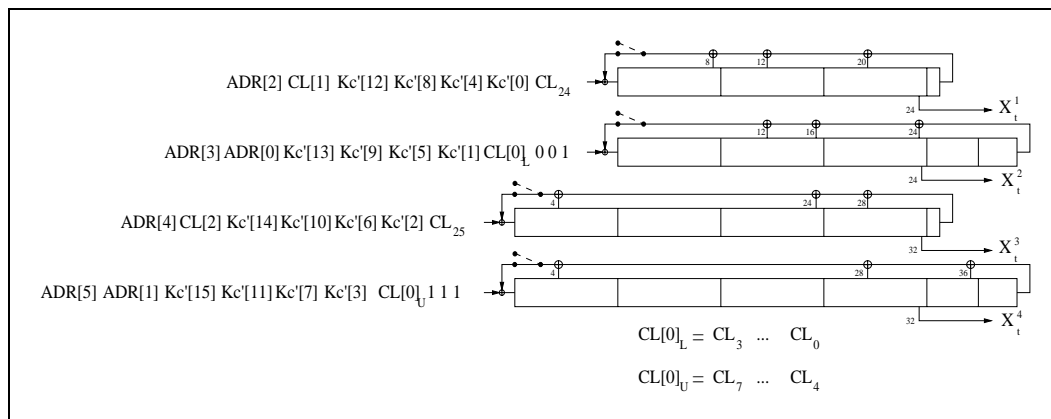


Figure 14.8: Arranging the input to the LFSRs.

In Figure 14.9, the 128 binary output symbols  $Z_0, \dots, Z_{127}$  are arranged in octets denoted  $Z[0], \dots, Z[15]$ . The LSB of  $Z[0]$  corresponds to the first of these symbols, the MSB of  $Z[15]$  is the latest output from the generator. These bits shall be loaded into the LFSRs according to the figure. It is a parallel load and no update of the blend registers is done. The first output symbol is generated at the same time. The octets are written into the registers with the LSB in the left-most position (i.e. the opposite of before). For example,  $Z_{24}$  is loaded into position 1 of LFSR<sub>4</sub>.

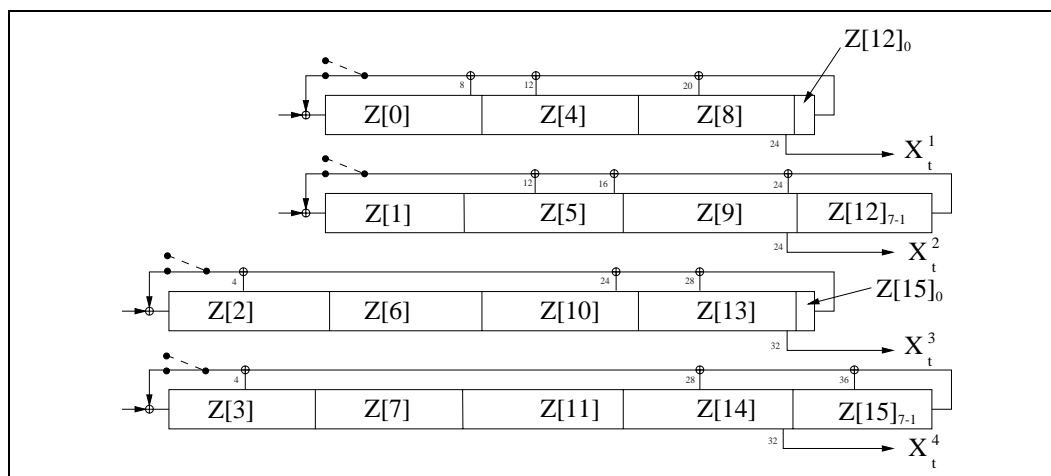


Figure 14.9: Distribution of the 128 last generated output symbols within the LFSRs.

### 14.3.6 Key stream sequence

When the initialization is finished, the output from the summation combiner is used for encryption/decryption. The first bit to use is the one produced at the parallel load, i.e. at  $t = 240$ . The circuit is run for the entire length of the current payload. Then, before the reverse direction is started, the entire initialization process is repeated with updated values on the input parameters.



Sample data of the encryption output sequence can be found in “Appendix IV” on page 899, Encryption Sample Data. A necessary, but not sufficient, condition for all Bluetooth-compliant implementations is to produce these encryption streams for identical initialization values.

### 14.4 AUTHENTICATION

The entity authentication used in Bluetooth uses a challenge-response scheme in which a claimant’s knowledge of a secret key is checked through a 2-move protocol using symmetric secret keys. The latter implies that a correct claimant/verifier pair share the same secret key, for example  $K$ . In the challenge-response scheme the verifier challenges the claimant to authenticate a random input (the challenge), denoted by  $AU\_RAND_A$ , with an authentication code, denoted by  $E_1$ , and return the result  $SRES$  to the verifier, see Figure 14.10 on page 169. This figure shows also that in Bluetooth the input to  $E_1$  consists of the tuple  $AU\_RAND_A$  and the Bluetooth device address ( $BD\_ADDR$ ) of the claimant. The use of this address prevents a simple reflection attack<sup>1</sup>. The secret  $K$  shared by units A and B is the current link key.

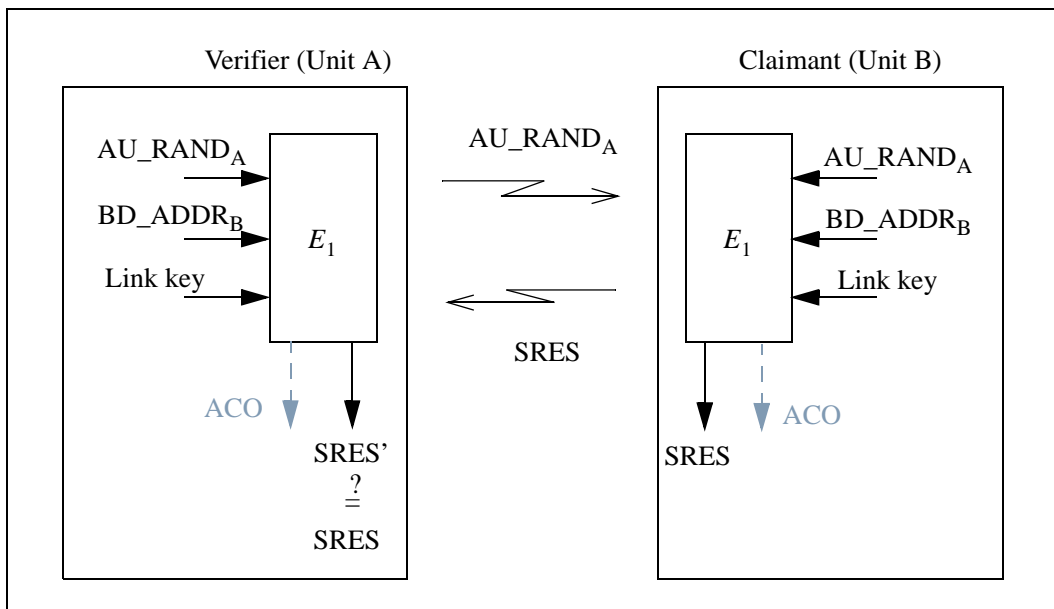


Figure 14.10: Challenge-response for the Bluetooth.

The challenge-response scheme for symmetric keys used in the Bluetooth is depicted in Figure 14.11 on page 170.

1. The reflection attack actually forms no threat in Bluetooth because all service requests are dealt with on a FIFO bases. When pre-emption is introduced, this attack is potentially dangerous.

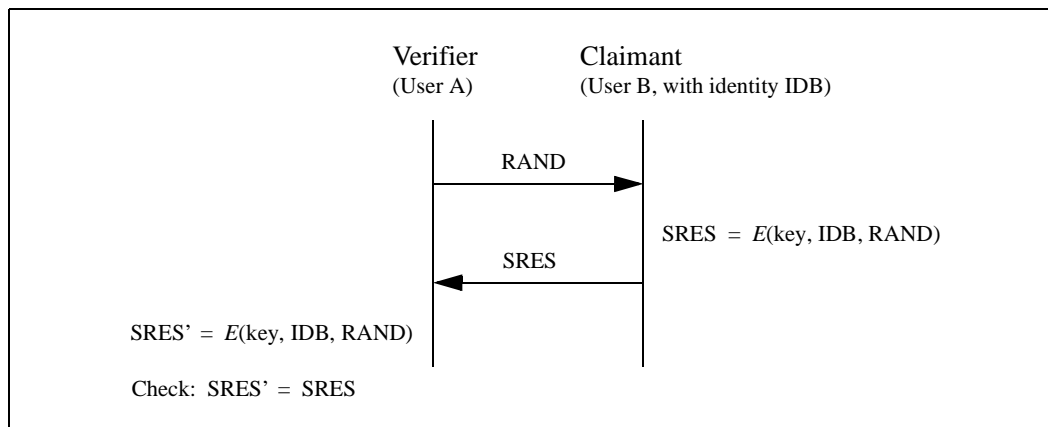


Figure 14.11: Challenge-response for symmetric key systems.

In the Bluetooth, the verifier is not necessarily the master. The application indicates who has to be authenticated by whom. Certain applications only require a one-way authentication. However, in some peer-to-peer communications, one might prefer a mutual authentication in which each unit is subsequently the challenger (verifier) in two authentication procedures. The LM coordinates the indicated authentication preferences by the application to determine in which direction(s) the authentication(s) has to take place. For mutual authentication with the units of Figure 14.10 on page 169, after unit A has successfully authenticated unit B, unit B could authenticate unit A by sending a  $AU\_RAND_B$  (different from the  $AU\_RAND_A$  that unit A issued) to unit A, and deriving the SRES and SRES' from the new  $AU\_RAND_B$ , the address of unit A, and the link key  $K_{AB}$ .

If an authentication is successful the value of ACO as produced by  $E_1$  should be retained.

### 14.4.1 Repeated attempts

When the authentication attempt fails, a certain waiting interval must pass before a new authentication attempt can be made. For each subsequent authentication failure with the same Bluetooth address, the waiting interval shall be increased exponentially. That is, after each failure, the waiting interval before a new attempt can be made, for example, twice as long as the waiting interval prior to the previous attempt<sup>1</sup>. The waiting interval shall be limited to a maximum. The maximum waiting interval depends on the implementation. The waiting time shall exponentially decrease to a minimum when no new failed attempts are being made during a certain time period. This procedure prevents an intruder to repeat the authentication procedure with a large number of different keys.

1. An other appropriate value larger than 1 may be used.

To make the system somewhat less vulnerable to denial-of-service attacks, the Bluetooth units should keep a list of individual waiting intervals for each unit it has established contact with. Clearly, the size of this list must be restricted only to contain the  $N$  units with which the most recent contact has been made. The number  $N$  can vary for different units depending on available memory size and user environment.

## 14.5 THE AUTHENTICATION AND KEY-GENERATING FUNCTIONS

This section describes the algorithmic means for supporting the Bluetooth security requirements on authentication and key generation.

### 14.5.1 The authentication function $E_1$

The authentication function  $E_1$  proposed for the Bluetooth is a computationally secure authentication code, or often called a MAC.  $E_1$  uses the encryption function called SAFER+. The algorithm is an enhanced version<sup>1</sup> of an existing 64-bit block cipher SAFER-SK128, and it is freely available. In the sequel the block cipher will be denoted as the function  $A_r$  which maps under a 128-bit key, a 128-bit input to a 128-bit output, i.e.

$$A_r: \{0, 1\}^{128} \times \{0, 1\}^{128} \rightarrow \{0, 1\}^{128} \quad (\text{EQ 31})$$

$$(k \times x) \mapsto t.$$

The details of  $A_r$  are given in the next section. The function  $E_1$  is constructed using  $A_r$  as follows

$$E_1: \{0, 1\}^{128} \times \{0, 1\}^{128} \times \{0, 1\}^{48} \rightarrow \{0, 1\}^{32} \times \{0, 1\}^{96} \quad (\text{EQ 32})$$

$$(K, \text{RAND}, \text{address}) \mapsto (\text{SRES}, \text{ACO}),$$

where  $\text{SRES} = \text{Hash}(K, \text{RAND}, \text{address}, 6)[0, \dots, 3]$ , where  $\text{Hash}$  is a keyed hash function defined as<sup>2</sup>,

$$\text{Hash}: \{0, 1\}^{128} \times \{0, 1\}^{128} \times \{0, 1\}^{8 \times L} \times \{6, 12\} \rightarrow \{0, 1\}^{128} \quad (\text{EQ 33})$$

$$(K, I_1, I_2, L) \mapsto A_r([\tilde{K}], [E(I_2, L) +_{16} (A_r(K, I_1) \oplus_{16} I_1)]),$$

and where

1. It is presently one of the contenders for the Advanced Encryption Standard (AES) submitted by Cylink, Corp, Sunnyvale, USA
2. The operator  $+_{16}$  denotes bitwise addition mod 256 of the 16 octets, and the operator  $\oplus_{16}$  denotes bitwise XORing of the 16 octets.

$$E: \{0, 1\}^{8 \times L} \times \{6, 12\} \rightarrow \{0, 1\}^{8 \times 16} \quad (\text{EQ 34})$$

$$(X[0, \dots, L-1], L) \mapsto (X[i \pmod L]) \text{ for } i = 0 \dots 15),$$

is an expansion of the  $L$  octet word  $X$  into a 128-bit word. Thus we see that we have to evaluate the function  $A_r$  twice for each evaluation of  $E_1$ . The key  $\tilde{K}$  for the second use of  $A_r$  (actually  $A'_r$ ) is offseted from  $K$  as follows<sup>1</sup>

$$\begin{aligned} K[0] &= (K[0] + 233) \pmod{256}, & K[1] &= K[1] \oplus 229, \\ \tilde{K}[2] &= (K[2] + 223) \pmod{256}, & K[3] &= K[3] \oplus 193, \\ \tilde{K}[4] &= (K[4] + 179) \pmod{256}, & K[5] &= K[5] \oplus 167, \\ \tilde{K}[6] &= (K[6] + 149) \pmod{256}, & K[7] &= K[7] \oplus 131, \\ \tilde{K}[8] &= K[8] \oplus 233, & \tilde{K}[9] &= (K[9] + 229) \pmod{256}, \\ \tilde{K}[10] &= K[10] \oplus 223, & \tilde{K}[11] &= (K[11] + 193) \pmod{256}, \\ \tilde{K}[12] &= K[12] \oplus 179, & \tilde{K}[13] &= (K[13] + 167) \pmod{256}, \\ \tilde{K}[14] &= K[14] \oplus 149, & \tilde{K}[15] &= (K[15] + 131) \pmod{256}. \end{aligned} \quad (\text{EQ 35})$$

A data flowchart of the computation of  $E_1$  is depicted in [Figure 14.12 on page 173](#).  $E_1$  is also used to deliver the parameter ACO (Authenticated Ciphering Offset) that is used in the generation of the ciphering key by  $E_3$ , see equations [\(EQ 23\)](#) and [\(EQ 43\)](#). The value of ACO is formed by the octets 4 through 15 of the output of the hash function defined in [\(EQ 33\)](#), i.e.

$$\text{ACO} = \text{Hash}(K, \text{RAND}, \text{address}, 6)[4, \dots, 15]. \quad (\text{EQ 36})$$

1. The constants are the first largest primes below 257 for which 10 is a primitive root.

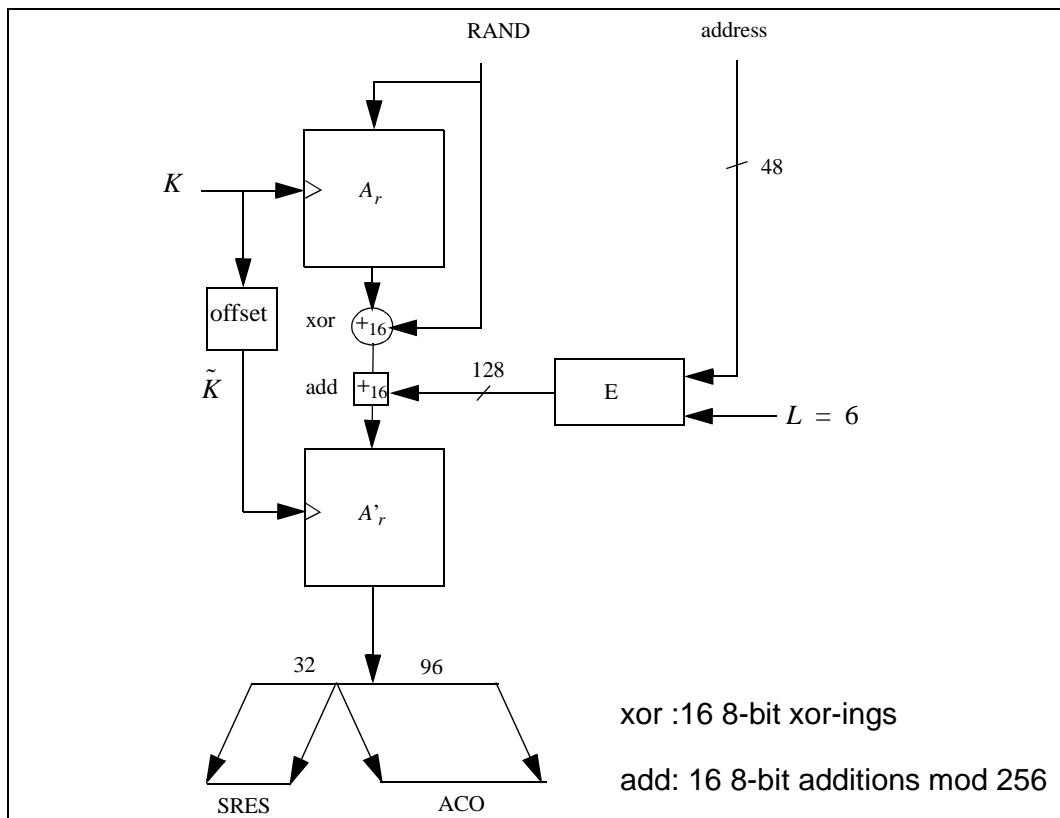


Figure 14.12: Flow of data for the computation of  $E_1$ .

### 14.5.2 The functions $A_r$ and $A'_r$

The function  $A_r$  is identical to SAFER+. It consists of a set of 8 layers, (each layer is called a round) and a parallel mechanism for generating the sub keys  $K_p[j]$ ,  $p = 1, 2, \dots, 17$ , the so-called round keys to be used in each round. The function will produce a 128-bit result from a 128-bit “random” input string and a 128-bit “key”. Besides the function  $A_r$ , a slightly modified version referred to as  $A'_r$  is used in which the input of round 1 is added to the input of the 3rd round. This is done to make the modified version non-invertible and prevents the use of  $A'_r$  (especially in  $E_{2x}$ ) as an encryption function. See [Figure 14.13 on page 174](#) for details.

#### 14.5.2.1 The round computations

The computations in each round are a composition of encryption with a round key, substitution, encryption with the next round key, and, finally, a Pseudo Hadamard Transform (PHT). The computations in a round are shown in [Figure 14.13 on page 174](#). The sub keys for round  $r$ ,  $r = 1, 2, \dots, 8$  are denoted

$K_{2r-1}[j], K_{2r}[j], j = 0, 1, \dots, 15$ . After the last round  $k_{17}[j]$  is applied in a similar fashion as all previous odd numbered keys.

14.5.2.2 The substitution boxes “e” and “l”

In Figure 14.13 on page 174 two boxes occur, marked “e” and “l”. These boxes implement the same substitutions as used in SAFER+; i.e. they implement

$$\begin{aligned}
 e, l &: \{0, \dots, 255\} \rightarrow \{0, \dots, 255\}, \\
 e &: i \mapsto (45^i \pmod{257}) \pmod{256}, \\
 l &: i \mapsto j \text{ s.t. } i = e(j).
 \end{aligned}$$

Their role, as in the SAFER+ algorithm, is to introduce non-linearity.

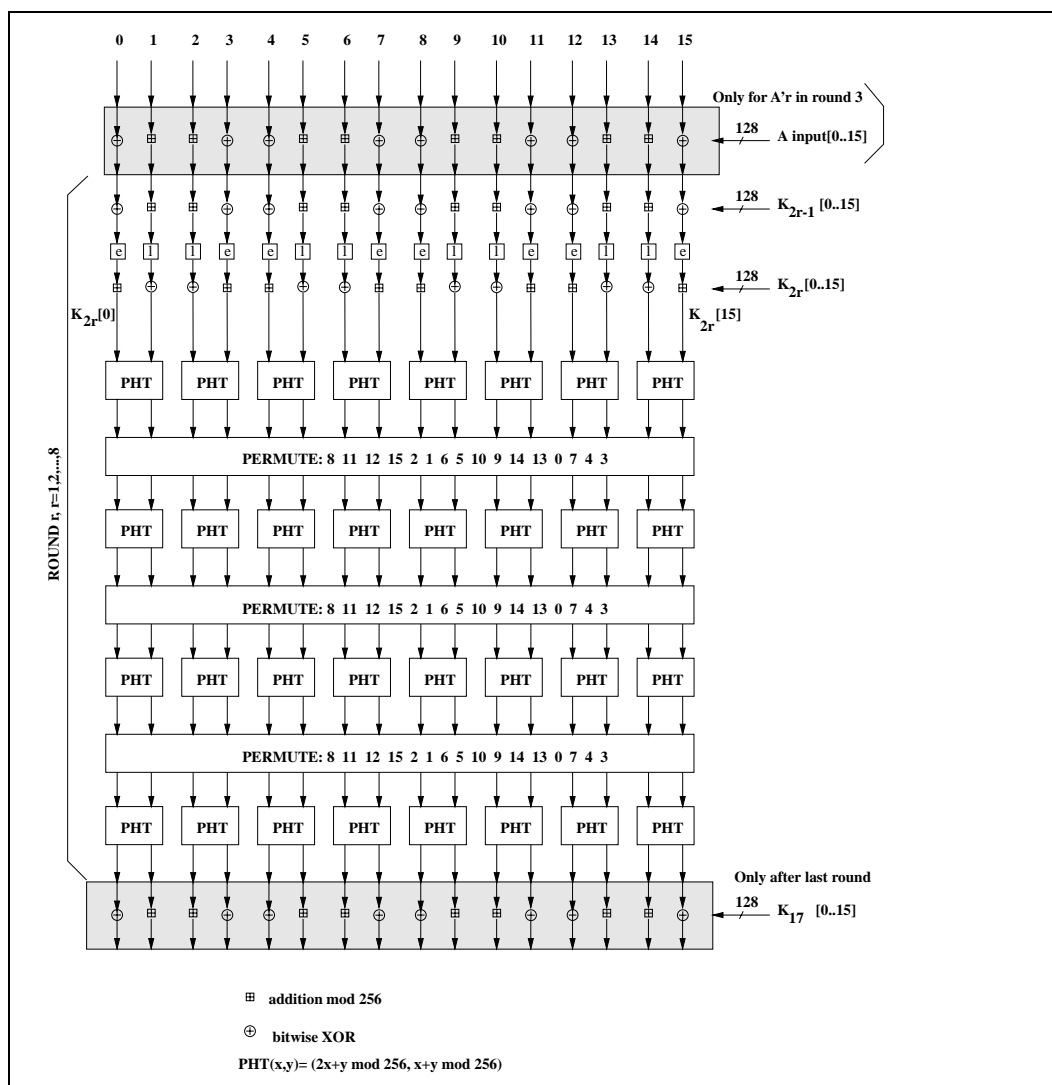


Figure 14.13: One round in  $A_r$  and  $A'_r$ . The permutation boxes show how input byte indices are mapped onto output byte indices. Thus, position 0 (leftmost) is mapped on position 8, position 1 is mapped on position 11, et cetera.

14.5.2.3 Key scheduling

In each round, 2 batches of 16 octet-wide keys are needed. These so-called round keys are derived as specified by the key scheduling in SAFER+. Figure 14.14 on page 175 gives an overview of how the round keys  $K_p[j]$  are determined. The bias vectors  $B_2, B_3, \dots, B_{17}$  are computed according to following equation:

$$B_p[i] = ((45^{(45^{17p+i+1} \bmod 257)} \bmod 257) \bmod 256), \text{ for } i = 0, \dots, 15. \quad (\text{EQ 37})$$

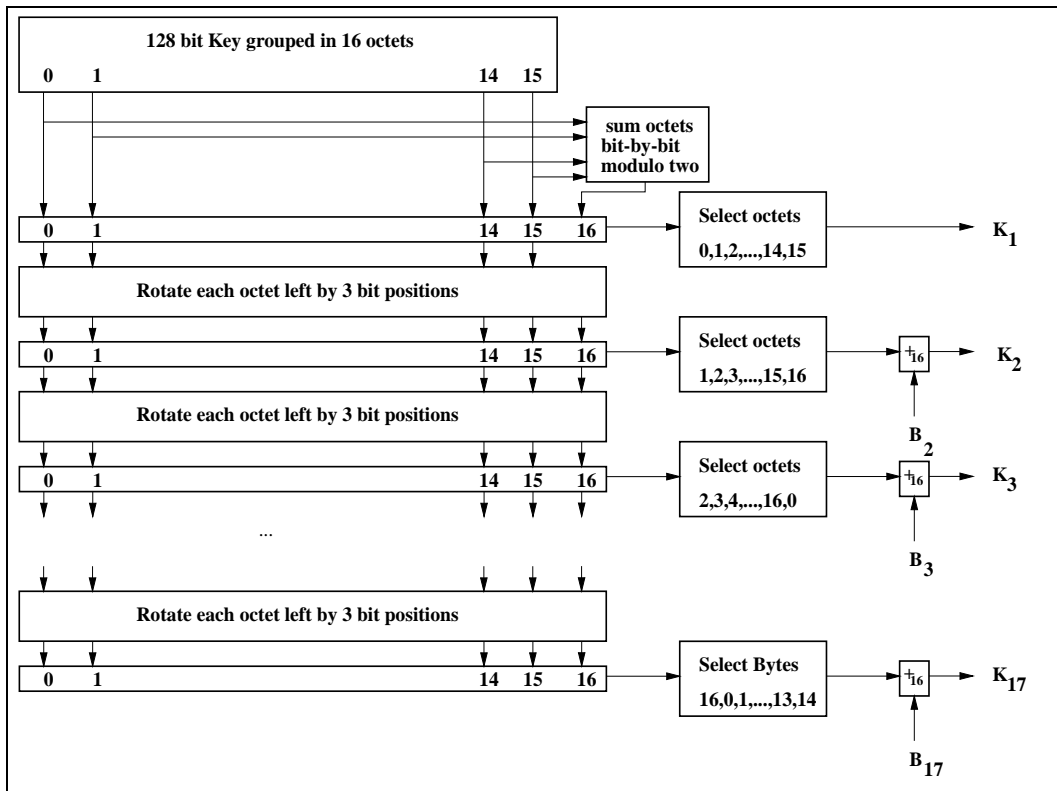


Figure 14.14: Key scheduling in  $A_r$ .

14.5.3  $E_2$ -Key generation function for authentication

The key used for authentication is derived through a procedure that is shown in Figure 14.15 on page 177. The figure shows two different modes of operation for the algorithm. In the first mode, the function  $E_2$  should produce on input of a 128-bit RAND value and a 48-bit address, a 128-bit link key  $K$ . This mode is utilized when creating unit keys and combination keys. In the second mode the function  $E_2$  should produce, on input of a 128-bit RAND value and an  $L$  octet user PIN, a 128-bit link key  $K$ . The second mode is used to create the initialization key, and also whenever a master key is to be generated.

When the initialization key is generated, the PIN is augmented with the `BD_ADDR` of the claimant unit. The augmentation always starts with the least significant octet of the address immediately following the most significant octet of the PIN. Since the maximum length of the PIN used in the algorithm cannot exceed 16 octets, it is possible that not all octets of `BD_ADDR` will be used.

This key generating algorithm again exploits the cryptographic function. Formally  $E_2$  can be expressed for mode 1 (denoted  $E_{21}$ ) as

$$E_{21}: \{0, 1\}^{128} \times \{0, 1\}^{48} \rightarrow \{0, 1\}^{128} \quad (\text{EQ 38})$$

$$(\text{RAND}, \text{address}) \mapsto A'_r(X, Y)$$

where (for mode 1)

$$\begin{cases} X = \text{RAND}[0\dots 14] \cup (\text{RAND}[15] \oplus 6) \\ Y = \bigcup_{i=0}^{15} \text{address}[i \pmod{6}] \end{cases} \quad (\text{EQ 39})$$

Let  $L$  be the number of octets in the user PIN. The augmenting is defined by

$$\text{PIN}' = \begin{cases} \text{PIN}[0\dots L-1] \cup \text{BD\_ADDR}_B[0\dots \min\{5, 15-L\}], & L < 16, \\ \text{PIN}[0\dots L-1], & L = 16, \end{cases} \quad (\text{EQ 40})$$

where it is assumed that unit B is the claimant. Then, in mode 2,  $E_2$  (denoted  $E_{22}$ ) can be expressed as

$$E_{22}: \{0, 1\}^{8L'} \times \{0, 1\}^{128} \times \{1, 2, \dots, 16\} \rightarrow \{0, 1\}^{128} \quad (\text{EQ 41})$$

$$(\text{PIN}', \text{RAND}, L') \mapsto A'_r(X, Y)$$

where

$$\begin{cases} X = \bigcup_{i=0}^{15} \text{PIN}'[i \pmod{L'}], \\ Y = \text{RAND}[0\dots 14] \cup (\text{RAND}[15] \oplus L'), \end{cases} \quad (\text{EQ 42})$$

and  $L' = \min\{16, L + 6\}$  is the number of octets in `PIN'`.



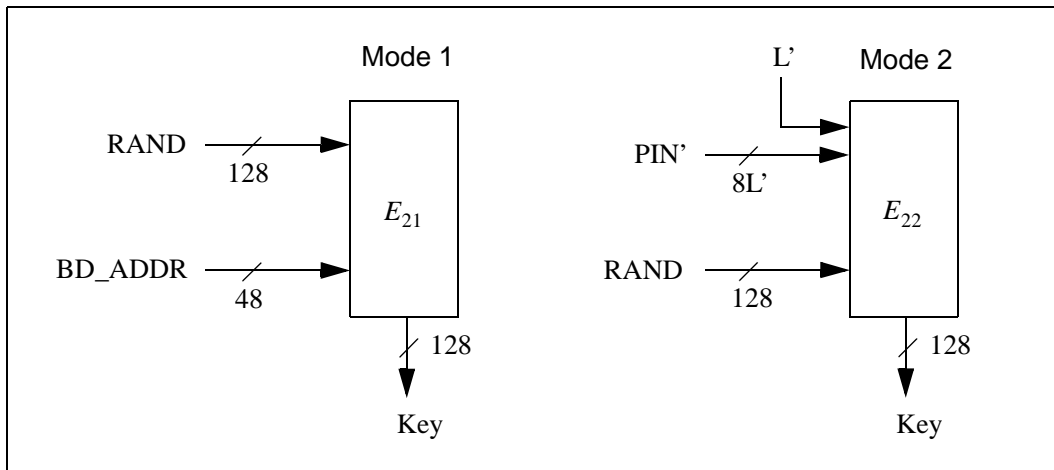


Figure 14.15: Key generating algorithm  $E_2$  and its two modes. Mode 1 is used for unit and combination keys, while mode 2 is used for  $K_{init}$  and  $K_{master}$ .

### 14.5.4 $E_3$ -Key generation function for encryption

The ciphering key  $K_C$  used by  $E_0$  is generated by  $E_3$ . The function  $E_3$  is constructed using  $A'_r$  as follows

$$E_3: \{0, 1\}^{128} \times \{0, 1\}^{128} \times \{0, 1\}^{96} \rightarrow \{0, 1\}^{128} \tag{EQ 43}$$

$$(K, RAND, COF) \mapsto Hash(K, RAND, COF, 12)$$

where  $Hash$  is the hash function as defined by (EQ 33). Note that the produced key length is 128 bits. However, before use within  $E_0$ , the encryption key  $K_C$  will be shortened to the correct encryption key length, as described in Section 14.3.5 on page 165. A block scheme of  $E_3$  is depicted in Figure 14.16.

The value of COF is determined as specified by equation (EQ 23).

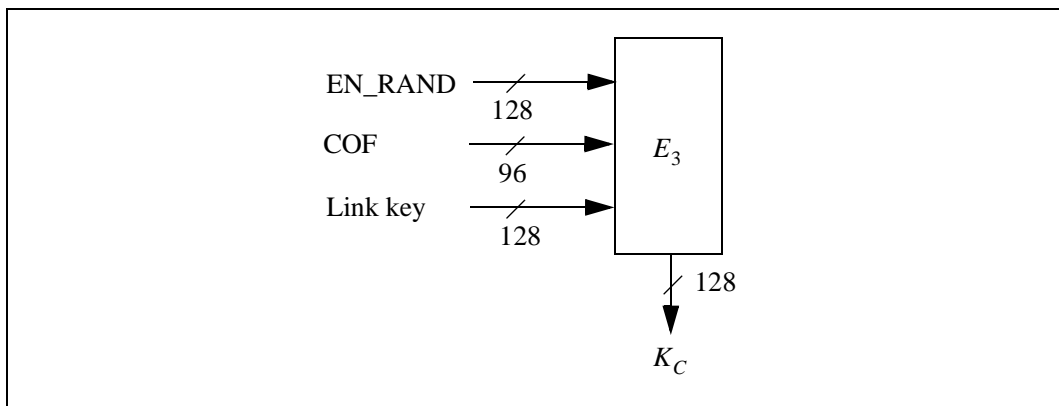


Figure 14.16: Generation of the encryption key.



**15 LIST OF FIGURES**

Figure 1.1:	Different functional blocks in the Bluetooth system .....	41
Figure 1.2:	Piconets with a single slave operation (a), a multi-slave operation (b) and a scatternet operation (c). .....	42
Figure 2.1:	TDD and timing .....	44
Figure 2.2:	Multi-slot packets .....	44
Figure 4.1:	Standard packet format. ....	47
Figure 4.2:	Access code format .....	48
Figure 4.3:	Preamble .....	49
Figure 4.4:	Trailer in CAC when MSB of sync word is 0 (a), and when MSB of sync word is 1 (b). ....	50
Figure 4.5:	Header format. ....	51
Figure 4.6:	Format of the FHS payload .....	56
Figure 4.7:	DV packet format .....	59
Figure 4.8:	Payload header format for single-slot packets. ....	62
Figure 4.9:	Payload header format for multi-slot packets. ....	62
Figure 5.1:	Bit-repetition encoding scheme. ....	67
Figure 5.2:	LFSR generating the (15,10) shortened Hamming code. ....	68
Figure 5.3:	Receive protocol for determining the ARQN bit. ....	70
Figure 5.4:	Retransmit filtering for packets with CRC. ....	71
Figure 5.5:	Broadcast repetition scheme .....	73
Figure 5.6:	The LFSR circuit generating the HEC. ....	74
Figure 5.7:	Initial state of the HEC generating circuit. ....	75
Figure 5.8:	HEC generation and checking. ....	75
Figure 5.9:	The LFSR circuit generating the CRC. ....	75
Figure 5.10:	Initial state of the CRC generating circuit. ....	76
Figure 5.11:	CRC generation and checking .....	76
Figure 7.1:	Data whitening LFSR. ....	79
Figure 8.1:	Functional diagram of TX buffering. ....	81
Figure 8.2:	Functional diagram of RX buffering .....	84
Figure 8.3:	Header bit processes. ....	86
Figure 8.4:	Payload bit processes. ....	86
Figure 9.1:	RX/TX cycle of Bluetooth master transceiver in normal mode for single-slot packets. ....	88
Figure 9.2:	RX/TX cycle of Bluetooth slave transceiver in normal mode for single-slot packets. ....	88
Figure 9.3:	RX timing of slave returning from hold state. ....	90

Figure 9.4: RX/TX cycle of Bluetooth transceiver in PAGE mode. .... 91

Figure 9.5: Timing of FHS packet on successful page in first half slot. .... 92

Figure 9.6: Timing of FHS packet on successful page in second half slot. . 92

Figure 9.7: RX/TX timing in multi-slave configuration ..... 93

Figure 10.1: Bluetooth clock. .... 96

Figure 10.2: Derivation of CLKE ..... 97

Figure 10.3: Derivation of CLK in master (a) and in slave (b). .... 97

Figure 10.4: State diagram of Bluetooth link controller. .... 98

Figure 10.5: Conventional page (a), page while one SCO link present (b),  
page while two SCO links present (c). .... 103

Figure 10.6: Messaging at initial connection when slave responds to first page  
message. .... 105

Figure 10.7: Messaging at initial connection when slave responds to second  
page message. .... 105

Figure 10.8: General beacon channel format ..... 117

Figure 10.9: Definition of access window ..... 117

Figure 10.10: Access procedure applying the polling technique. .... 118

Figure 10.11: Disturbance of access window by SCO traffic ..... 118

Figure 10.12: Extended sleep interval of parked slaves. .... 119

Figure 11.1: General block diagram of hop selection scheme. .... 128

Figure 11.2: Hop selection scheme in CONNECTION state. .... 128

Figure 11.3: Block diagram of hop selection kernel for the 79-hop system. 129

Figure 11.4: Block diagram of hop selection kernel for the 23-hop system. 129

Figure 11.5: XOR operation for the 79-hop system. The 23-hop system is the  
same except for the Z<sup>4</sup>/Z<sub>4</sub> wire that does not exist. .... 130

Figure 11.6: Permutation operation for the 79 hop system. .... 132

Figure 11.7: Permutation operation for the 23 hop system. .... 132

Figure 11.8: Butterfly implementation. .... 132

Figure 12.1: Block diagram of CVSD encoder with syllabic companding. .. 140

Figure 12.2: Block diagram of CVSD decoder with syllabic companding. .. 140

Figure 12.3: Accumulator procedure ..... 140

Figure 13.1: Format of BD\_ADDR ..... 143

Figure 13.2: Construction of the sync word. .... 145

Figure 13.3: LFSR and the starting state to generate ..... 147

Figure 14.1: Generation of unit key. When the unit key has been exchanged,  
the initialization key shall be discarded in both units. .... 155

Figure 14.2: Generating a combination key. The old link key (K) shall be  
discarded after the exchange of a new combination key has  
succeeded ..... 156

Figure 14.3: Master link key distribution and computation of the corresponding encryption key. ....159

Figure 14.4: Stream ciphering for Bluetooth with E0. ....160

Figure 14.5: Functional description of the encryption procedure .....162

Figure 14.6: Concept of the encryption engine. ....163

Figure 14.7: Overview of the operation of the encryption engine. Between each start of a packet (TX or RX), the LFSRs are re-initialized. ....165

Figure 14.8: Arranging the input to the LFSRs. ....168

Figure 14.9: Distribution of the 128 last generated output symbols within the LFSRs. ....168

Figure 14.10: Challenge-response for the Bluetooth. ....169

Figure 14.11: Challenge-response for symmetric key systems. ....170

Figure 14.12: Flow of data for the computation of  $E_1$ . ....173

Figure 14.13: One round in  $A_r$  and  $A'_r$ . ....174

Figure 14.14: Key scheduling in  $A_r$ . ....175

Figure 14.15: Key generating algorithm  $E_2$  and its two modes.  
 Mode 1 is used for unit and combination keys, while mode 2 is used for  $K_{init}$  and  $K_{master}$  .....177

Figure 14.16: Generation of the encryption key. ....177



## 16 LIST OF TABLES

Table 2.1:	Available RF channels .....	43
Table 4.1:	Summary of access code types. ....	49
Table 4.2:	Packets defined for SCO and ACL link types.....	54
Table 4.3:	Description of the FHS payload .....	56
Table 4.4:	Contents of SR field .....	57
Table 4.5:	Contents of SP field .....	57
Table 4.6:	Contents of page scan mode field.....	58
Table 4.7:	Logical channel L_CH field contents.....	63
Table 4.8:	Use of payload header flow bit on the logical channels. ....	63
Table 4.9:	Link control packets .....	65
Table 4.10:	ACL packets.....	65
Table 4.11:	SCO packets.....	65
Table 10.1:	Relationship between scan interval, train repetition, and paging modes R0, R1 and R2.....	101
Table 10.2:	Relationship between train repetition, and paging modes R0, R1 and R2 when SCO links are present.....	103
Table 10.3:	Initial messaging during start-up. ....	104
Table 10.4:	Increase of train repetition when SCO links are present.....	111
Table 10.5:	Messaging during inquiry routines. ....	112
Table 10.6:	Mandatory scan periods for P0, P1, P2 scan period modes. ....	112
Table 11.1:	Control of the butterflies for the 79 hop system .....	131
Table 11.2:	Control of the butterflies for the 23 hop system .....	131
Table 11.3:	Control for 79-hop system.....	134
Table 11.4:	Control for 23-hop system.....	134
Table 12.1:	Voice coding schemes supported on the air interface.....	139
Table 12.2:	CVSD parameter values. The values are based on a 16 bit signed number output from the accumulator.....	141
Table 14.1:	Entities used in authentication and encryption procedures.....	149
Table 14.2:	Possible traffic modes for a slave using a semi-permanent link key.....	161
Table 14.3:	Possible encryption modes for a slave in possession of a master key.....	161
Table 14.4:	The four primitive feedback polynomials.....	164
Table 14.5:	The mappings $T_1$ and $T_2$ . ....	165

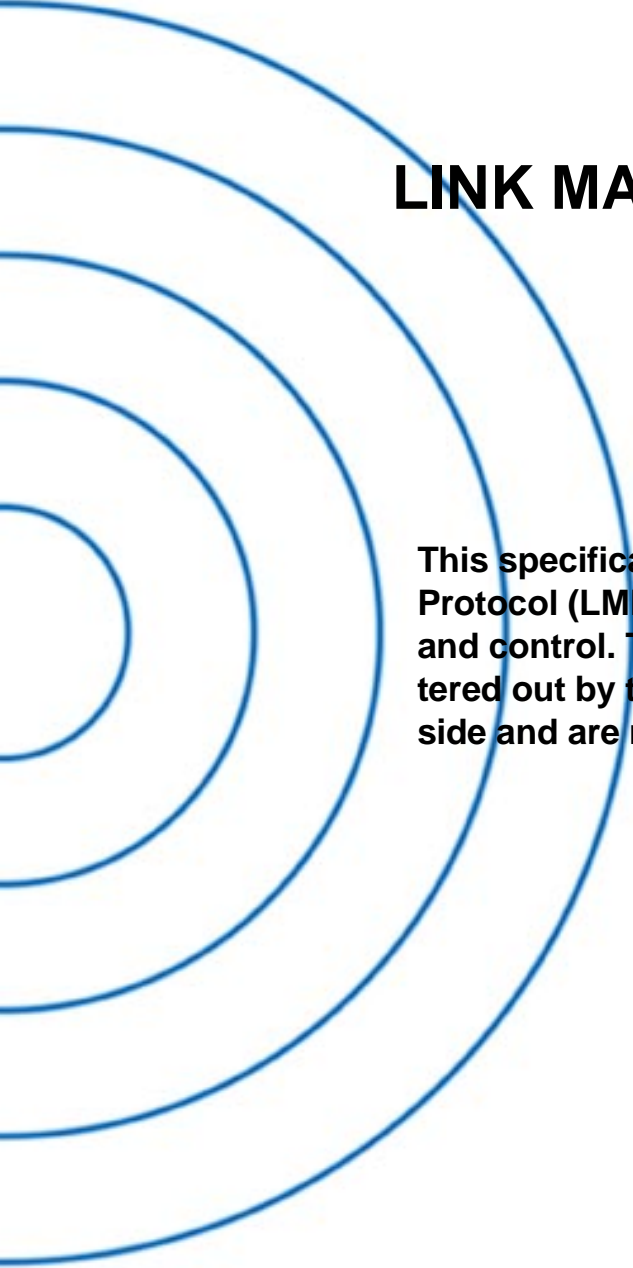
Table 14.6: Polynomials used when creating .  
 All polynomials are in hexadecimal notation. The LSB is  
 in the rightmost position. .... 167

Table 14.6: Polynomials used when creating .  
 All polynomials are in hexadecimal notation. The LSB is  
 in the rightmost position. .... 167



## Part C

# LINK MANAGER PROTOCOL



This specification describes the Link Manager Protocol (LMP) which is used for link set-up and control. The signals are interpreted and filtered out by the Link Manager on the receiving side and are not propagated to higher layers.



**CONTENTS**

<b>1</b>	<b>General</b> .....	<b>191</b>
<b>2</b>	<b>Format of LMP</b> .....	<b>192</b>
<b>3</b>	<b>The Procedure Rules and PDUs</b> .....	<b>193</b>
3.1	General Response Messages .....	193
3.2	Authentication .....	194
3.2.1	Claimant has link key .....	194
3.2.2	Claimant has no link key .....	194
3.2.3	Repeated attempts .....	195
3.3	Pairing .....	195
3.3.1	Claimant accepts pairing .....	195
3.3.2	Claimant requests to become verifier .....	195
3.3.3	Claimant rejects pairing .....	196
3.3.4	Creation of the link key .....	196
3.3.5	Repeated attempts .....	197
3.4	Change Link Key .....	197
3.5	Change the Current Link Key .....	198
3.5.1	Change to a temporary link key .....	198
3.5.2	Make the semi-permanent link key the current link key .....	199
3.6	Encryption .....	199
3.6.1	Encryption mode .....	200
3.6.2	Encryption key size .....	200
3.6.3	Start encryption .....	201
3.6.4	Stop encryption .....	202
3.6.5	Change encryption mode, key or random number .....	202
3.7	Clock Offset Request .....	202
3.8	Slot Offset Information .....	203
3.9	Timing Accuracy Information Request .....	203
3.10	LMP Version .....	205
3.11	Supported Features .....	205
3.12	Switch of Master-Slave Role .....	206
3.13	Name Request .....	207
3.14	Detach .....	207
3.15	Hold Mode .....	208
3.15.1	Master forces hold mode .....	208
3.15.2	Slave forces hold mode .....	208
3.15.3	Master or slave requests hold mode .....	209

- 3.16 Sniff Mode..... 209
  - 3.16.1 Master forces a slave into sniff mode..... 210
  - 3.16.2 Master or slave requests sniff mode ..... 210
  - 3.16.3 Moving a slave from sniff mode to active mode ..... 211
- 3.17 Park Mode ..... 211
  - 3.17.1 Master forces a slave into park mode ..... 213
  - 3.17.2 Master requests slave to enter park mode..... 213
  - 3.17.3 Slave requests to be placed in park mode ..... 213
  - 3.17.4 Master sets up broadcast scan window ..... 214
  - 3.17.5 Master modifies beacon parameters..... 214
  - 3.17.6 Unparking slaves..... 214
- 3.18 Power Control ..... 215
- 3.19 Channel Quality-driven Change Between DM and DH..... 217
- 3.20 Quality of Service (QoS) ..... 218
  - 3.20.1 Master notifies slave of the quality of service..... 218
  - 3.20.2 Device requests new quality of service ..... 219
- 3.21 SCO Links..... 219
  - 3.21.1 Master initiates an SCO link..... 220
  - 3.21.2 Slave initiates an SCO link..... 220
  - 3.21.3 Master requests change of SCO parameters..... 221
  - 3.21.4 Slave requests change of SCO parameters..... 221
  - 3.21.5 Remove an SCO link..... 221
- 3.22 Control of Multi-slot Packets ..... 222
- 3.23 Paging Scheme ..... 223
  - 3.23.1 Page mode..... 223
  - 3.23.2 Page scan mode ..... 223
- 3.24 Link Supervision ..... 224
- 4 Connection Establishment..... 225**
- 5 Summary of PDUs..... 226**
  - 5.1 Description of Parameters ..... 231
    - 5.1.1 Coding of features..... 234
    - 5.1.2 List of error reasons ..... 235
  - 5.2 Default Values..... 236

<b>6</b>	<b>Test Modes</b> .....	<b>237</b>
6.1	Activation and Deactivation of Test Mode .....	237
6.2	Control of Test Mode .....	237
6.3	Summary of Test Mode PDUs .....	238
<b>7</b>	<b>Error Handling</b> .....	<b>239</b>
<b>8</b>	<b>List of Figures</b> .....	<b>241</b>
<b>9</b>	<b>List of Tables</b> .....	<b>243</b>



## 1 GENERAL

LMP messages are used for link set-up, security and control. They are transferred in the payload instead of L2CAP and are distinguished by a reserved value in the L\_CH field of the payload header. The messages are filtered out and interpreted by LM on the receiving side and are not propagated to higher layers.

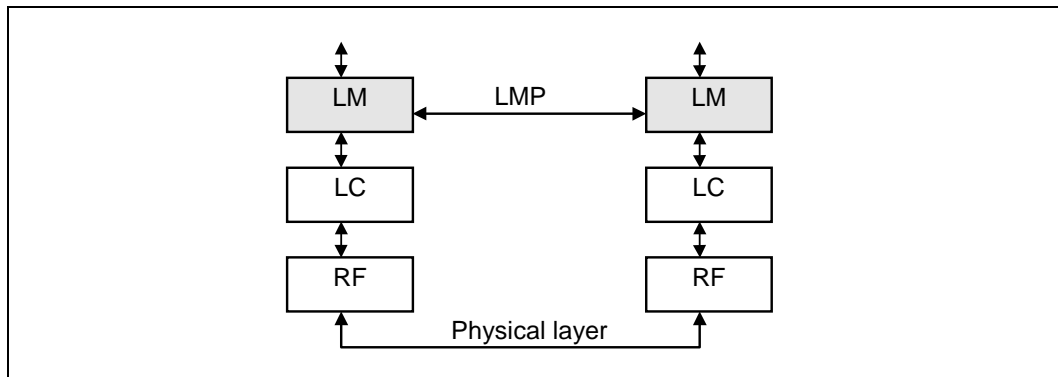


Figure 1.1: Link Manager's place on the global scene.

Link Manager messages have higher priority than user data. This means that if the Link Manager needs to send a message, it shall not be delayed by the L2CAP traffic, although it can be delayed by many retransmissions of individual baseband packets.

We do not need to explicitly acknowledge the messages in LMP since LC (see [Baseband Specification Section 5, on page 67](#)) provides us with a reliable link.

The time between receiving a baseband packet carrying an LMP PDU and sending a baseband packet carrying a valid response PDU, according to the procedure rules in [Section 3 on page 193](#), must be less than the LMP Response Timeout. The value of this timeout is 30 seconds.

## 2 FORMAT OF LMP

LM PDUs are always sent as single-slot packets and the payload header is therefore one byte. The two least significant bits in the payload header determine the logical channel. For LM PDUs these bits are set.

L_CH code	Logical Channel	Information
00	NA	undefined
01	UA/I	Continuing L2CAP message
10	UA/I	Start L2CAP message
11	LM	LMP message

Table 2.1: Logical channel L\_CH field contents.

The FLOW bit in the payload header is always one and is ignored on the receiving side. Each PDU is assigned a 7-bit opcode used to uniquely identify different types of PDUs, see [Table 5.1 on page 226](#). The opcode and a one-bit transaction ID are positioned in the first byte of the payload body. The transaction ID is positioned in the LSB. It is 0 if the PDU belongs to a transaction initiated by the master and 1 if the PDU belongs to a transaction initiated by the slave. If the PDU contains one or more parameters these are placed in the payload starting at the second byte of the payload body. The number of bytes used depends on the length of the parameters. If an SCO link is present using HV1 packets and length of *content* is less than 9 bytes the PDUs can be transmitted in DV packets. Otherwise DM1 packets must be used. All parameters have little endian format, i.e. the least significant byte is transmitted first.

The source/destination of the PDUs is determined by the AM\_ADDR in the packet header.

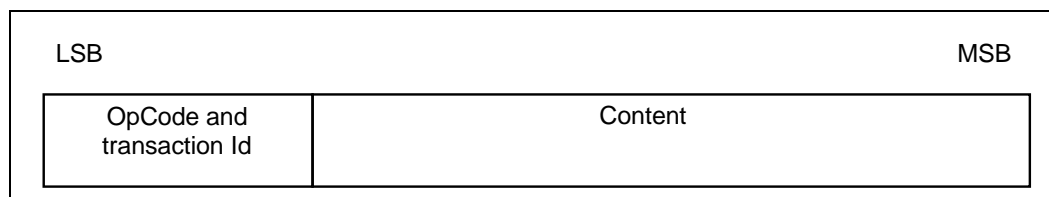


Figure 2.1: Payload body when LM PDUs are sent.

Each PDU is either mandatory or optional. The M/O field in the tables of [Section 3](#) indicates this. The LM does not need to be able to transmit a PDU that is optional. The LM must recognize all optional PDUs that it receives and, if a response is required, send a valid response according to the procedure rules in [Section 3](#). The reason that should be used in this case is *unsupported LMP feature*. If the optional PDU that is received does not require a response, no response is sent. Which of the optional PDUs a device supports can be requested, see [Section 3.11 on page 205](#).



### 3 THE PROCEDURE RULES AND PDUs

Each procedure is described and depicted with a sequence diagram. The following symbols are used in the sequence diagrams:

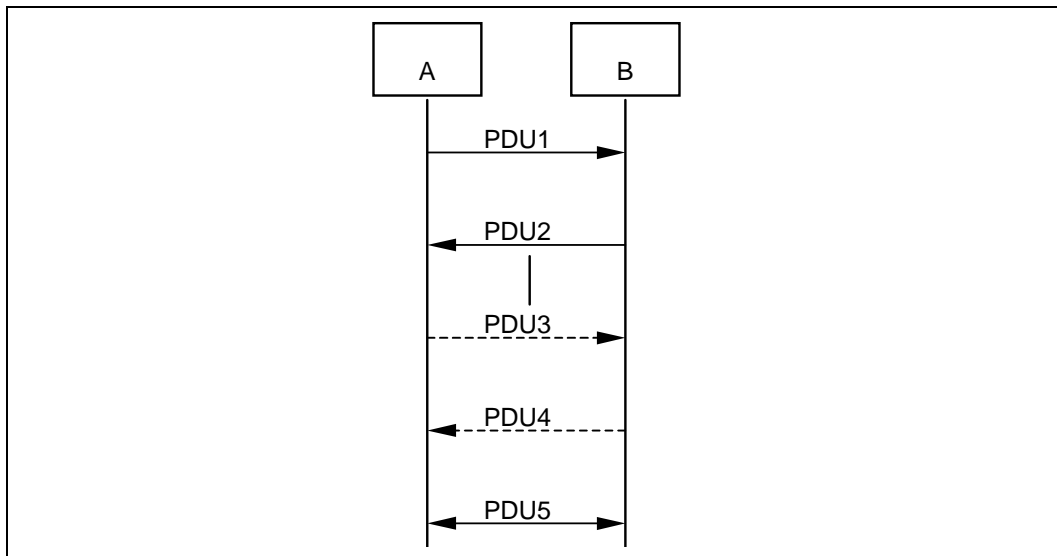


Figure 3.1: Symbols used in sequence diagrams.

PDU1 is a PDU sent from A to B. PDU2 is a PDU sent from B to A. PDU3 is a PDU that is optionally sent from A to B. PDU4 is a PDU that is optionally sent from B to A. PDU5 is a PDU sent from either A or B. A vertical line indicates that more PDUs can optionally be sent.

#### 3.1 GENERAL RESPONSE MESSAGES

The PDUs LMP\_accepted and LMP\_not\_accepted are used as response messages to other PDUs in a number of different procedures. The PDU LMP\_accepted includes the opcode of the message that is accepted. The PDU LMP\_not\_accepted includes the opcode of the message that is not accepted and the reason why it is not accepted.

M/O	PDU	Contents
M	LMP_accepted	op code
M	LMP_not_accepted	op code reason

Table 3.1: General response messages.

### 3.2 AUTHENTICATION

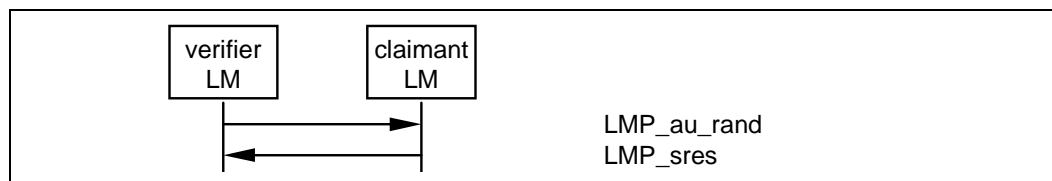
The authentication procedure is based on a challenge-response scheme as described in [Baseband Specification Section 14.4, on page 169](#). The verifier sends an LMP\_au\_rand PDU which contains a random number (the challenge) to the claimant. The claimant calculates a response, which is a function of the challenge, the claimant's BD\_ADDR and a secret key. The response is sent back to the verifier, which checks if the response was correct or not. How the response should be calculated is described in [Baseband Specification Section 14.5.1, on page 171](#). A successful calculation of the authentication response requires that two devices share a secret key. How this key is created is described in [Section 3.3 on page 195](#). Both the master and the slave can be verifiers. The following PDUs are used in the authentication procedure:

M/O	PDU	Contents
M	LMP_au_rand	random number
M	LMP_sres	authentication response

Table 3.2: PDUs used for authentication.

#### 3.2.1 Claimant has link key

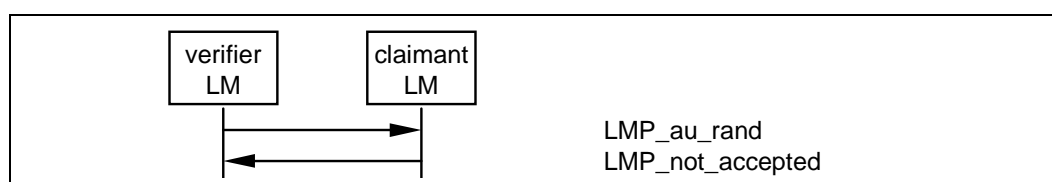
If the claimant has a link key associated with the verifier, it calculates the response and sends it to the verifier with LMP\_sres. The verifier checks the response. If the response is not correct, the verifier can end the connection by sending LMP\_detach with the reason code *authentication failure*, see [Section 3.14 on page 207](#).



Sequence 1: Authentication. Claimant has link key.

#### 3.2.2 Claimant has no link key

If the claimant does not have a link key associated with the verifier it sends LMP\_not\_accepted with the reason code *key missing* after receiving LMP\_au\_rand.



Sequence 2: Authentication fails. Claimant has no link key.

### 3.2.3 Repeated attempts

The scheme described in [Baseband Specification Section 14.4.1, on page 170](#) shall be applied when an authentication fails. This will prevent an intruder from trying a large number of keys in a relatively short time.

## 3.3 PAIRING

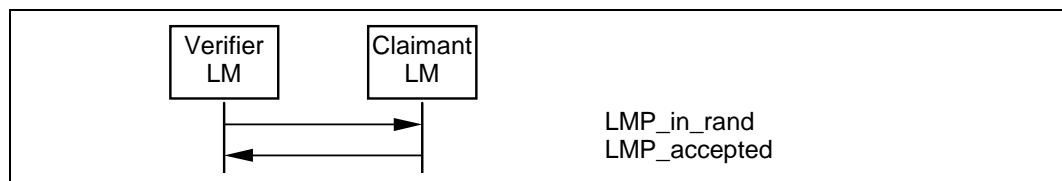
When two devices do not have a common link key an initialization key ( $K_{init}$ ) is created based on a PIN and a random number. The  $K_{init}$  is created when the verifier sends LMP\_in\_rand to the claimant. How the  $K_{init}$  is calculated is described in [Baseband Specification Section 14.5.3, on page 175](#). Authentication then needs to be done, whereby the calculation of the authentication response is based on  $K_{init}$  instead of the link key. After a successful authentication, the link key is created. The PDUs used in the pairing procedure are:

M/O	PDU	Contents
M	LMP_in_rand	random number
M	LMP_au_rand	random number
M	LMP_sres	authentication response
M	LMP_comb_key	random number
M	LMP_unit_key	key

Table 3.3: PDUs used for pairing.

### 3.3.1 Claimant accepts pairing

The verifier sends LMP\_in\_rand and the claimant replies with LMP\_accepted. Both devices calculate  $K_{init}$ , and an authentication (see [Sequence 1](#)) based on this key needs to be done. The verifier checks the authentication response and if correct, the link key is created; see [Section 3.3.4 on page 196](#). If the authentication response is not correct the verifier can end the connection by sending LMP\_detach with the reason code *authentication failure*.

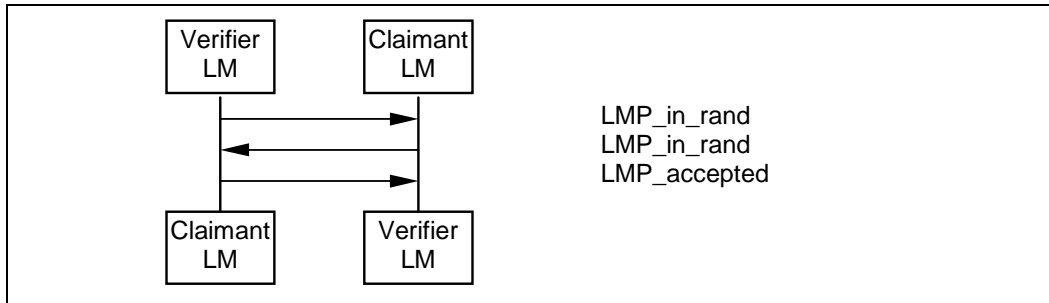


Sequence 3: Claimant accepts pairing.

### 3.3.2 Claimant requests to become verifier

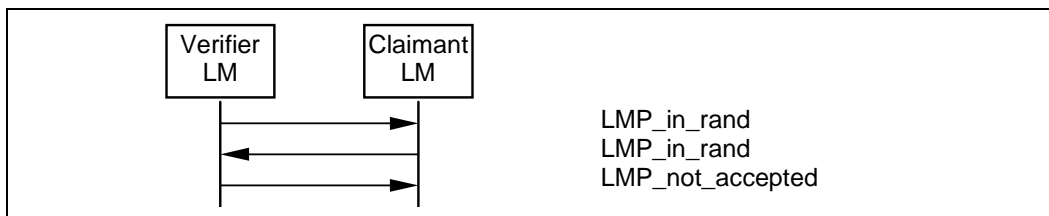
If the claimant has a fixed PIN it may request a switch of the claimant-verifier role in the pairing procedure by generating a new random number and send it

back in LMP\_in\_rand. If the device that started the pairing procedure has a variable PIN it must accept this and respond with LMP\_accepted. The roles are then successfully switched and the pairing procedure continues as described in [Section 3.3.1 on page 195](#).



Sequence 4: Claimant accepts pairing but requests to be verifier.

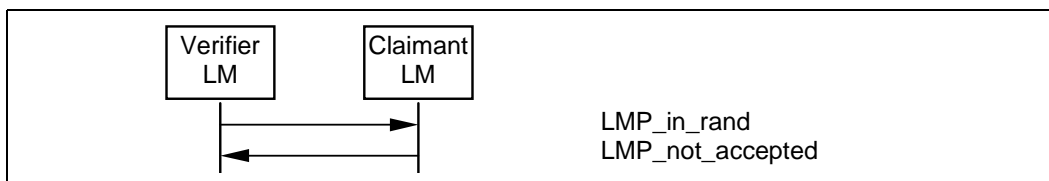
If the device that started the pairing procedure has a fixed PIN and the other device requests a role switch, the switch is rejected by sending LMP\_not\_accepted with the reason *pairing not allowed*; the pairing procedure is then ended.



Sequence 5: Unsuccessful switch of claimant-verifier role.

### 3.3.3 Claimant rejects pairing

If the claimant rejects pairing, it sends LMP\_not\_accepted with the reason *pairing not allowed* after receiving LMP\_in\_rand.



Sequence 6: Claimant rejects pairing.

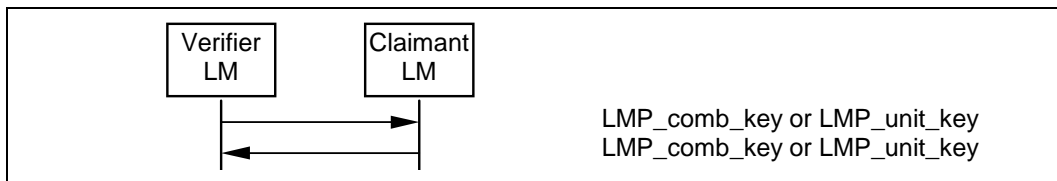
### 3.3.4 Creation of the link key

When the authentication is finished the link key must be created. This link key will be used in the authentication between the two units for all subsequent connections until it is changed; see [Section 3.4](#) and [Section 3.5](#). The link key cre-

ated in the pairing procedure will either be a combination key or one of the unit's unit keys. The following rules apply to the selection of the link key:

- if one unit sends LMP\_unit\_key and the other unit sends LMP\_comb\_key, the unit key will be the link key,
- if both units send LMP\_unit\_key, the master's unit key will be the link key,
- if both units send LMP\_comb\_key, the link key is calculated as described in [Baseband Specification Section 14.2.2, on page 153](#).

The content of LMP\_unit\_key is the unit key bitwise XORed with  $K_{init}$ . The content of LMP\_comb\_key is LK\_RAND bitwise XORed with  $K_{init}$ . Any device configured to use a combination key will store the link key in non-volatile memory.



Sequence 7: Creation of the link key.

### 3.3.5 Repeated attempts

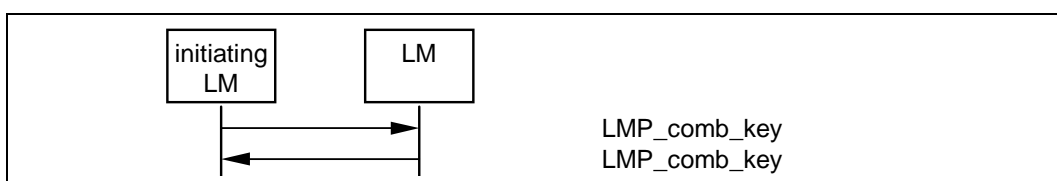
When the authentication during pairing fails because of a wrong authentication response, the same scheme is applied as in [Section 3.2.3 on page 195](#). This prevents an intruder from trying a large number of different PINs in a relatively short time.

## 3.4 CHANGE LINK KEY

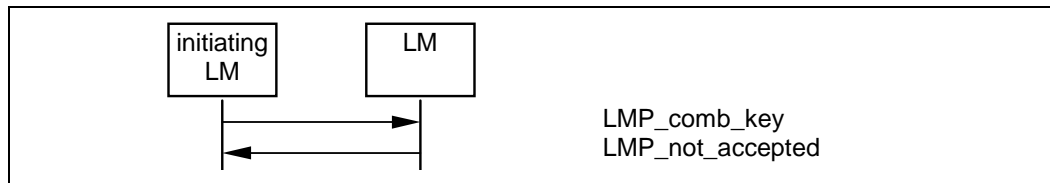
If two devices are paired and the link key is derived from combination keys, the link key can be changed. If the link key is a unit key, the units must go through the pairing procedure in order to change the link key. The contents of the PDU is protected by a bitwise XOR with the current link key.

M/O	PDU	Contents
M	LMP_comb_key	random number
M	LMP_unit_key	key

Table 3.4: PDUs used for change of link key.



Sequence 8: Successful change of the link key.



Sequence 9: Change of the link key not possible since the other unit uses a unit key.

If the change of link key is successful the new link key is stored in non-volatile memory, and the old link key is discarded. The new link key will be used as link key for all the following connections between the two devices until the link key is changed again. The new link key also becomes the current link key. It will remain the current link key until the link key is changed again, or until a temporary link key is created, see Section 3.5 on page 198.

If encryption is used on the link and the current link key is a temporary link key, the procedure of changing link key must be immediately followed by a stop of the encryption by invoking the procedure in Section 3.6.4 on page 202. Encryption can then be started again. This is to assure that encryption with encryption parameters known by other devices in the piconet is not used when the semi-permanent link key is the current link key.

### 3.5 CHANGE THE CURRENT LINK KEY

The current link key can be a semi-permanent link key or a temporary link key. It can be changed temporarily, but the change is only valid for the session, see Baseband Specification Section 14.2.1, on page 151. Changing to a temporary link key is necessary if the piconet is to support encrypted broadcast.

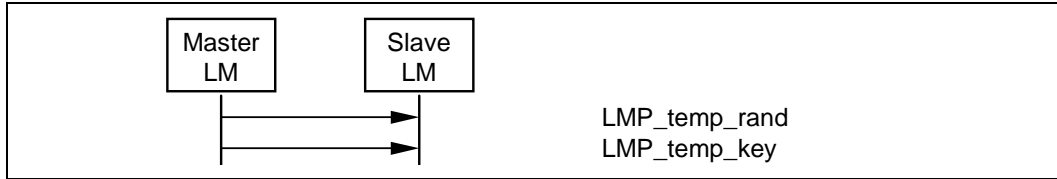
M/O	PDU	Contents
M	LMP_temp_rand	random number
M	LMP_temp_key	key
M	LMP_use_semi_permanent_key	-

Table 3.5: PDUs used to change the current link key.

#### 3.5.1 Change to a temporary link key

In the following, we use the same terms as in Baseband Specification Section 14.2.2.8, on page 158. The master starts by creating the master key  $K_{\text{master}}$  as described in Baseband Specification (EQ 24), on page 158. Then the master issues a random number RAND and sends it to the slave in LMP\_temp\_rand. Both sides can then calculate an overlay denoted OVL as  $\text{OVL} = E_{22}(\text{current link key}, \text{RAND}, 16)$ . Then the master sends  $K_{\text{master}}$  protected by a modulo-2 addition with OVL to the slave in LMP\_temp\_key. The slave, who knows OVL,

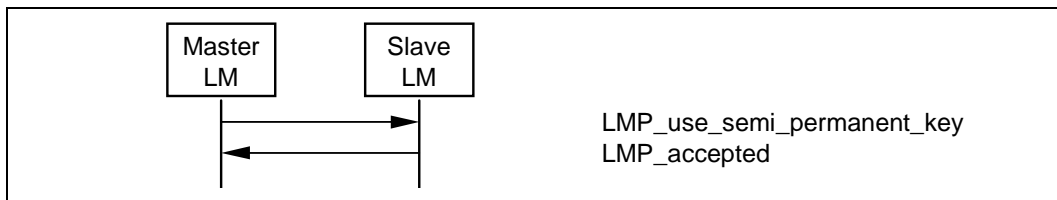
calculates  $K_{master}$ . After this,  $K_{master}$  becomes the current link key. It will be the current link key until a new temporary key is created or until the link key is changed, see [Section 3.4 on page 197](#).



Sequence 10: Change to a temporary link key.

### 3.5.2 Make the semi-permanent link key the current link key

After the current link key has been changed to  $K_{master}$ , this change can be undone and the semi-permanent link key becomes the current link key again. If encryption is used on the link, the procedure of going back to the semi-permanent link key must be immediately followed by a stop of the encryption by invoking the procedure described in [Section 3.6.4 on page 202](#). Encryption can then be started again. This is to assure that encryption with encryption parameters known by other devices in the piconet is not used when the semi-permanent link key is the current link key.



Sequence 11: Link key changed to the semi-permanent link key.

## 3.6 ENCRYPTION

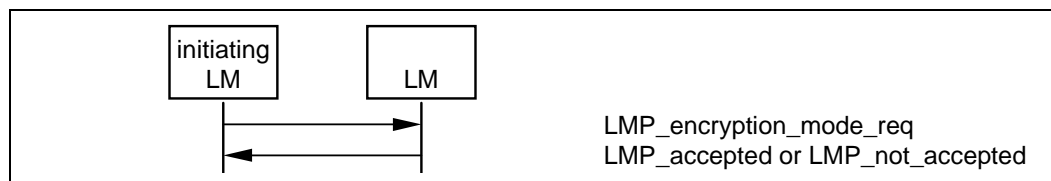
If at least one authentication has been performed encryption may be used. If the master wants all slaves in the piconet to use the same encryption parameters it must issue a temporary key ( $K_{master}$ ) and make this key the current link key for all slaves in the piconet before encryption is started, see [Section 3.5 on page 198](#). This is necessary if broadcast packets should be encrypted.

M/O	PDU	Contents
O	LMP_encryption_mode_req	encryption mode
O	LMP_encryption_key_size_req	key size
O	LMP_start_encryption_req	random number
O	LMP_stop_encryption_req	-

Table 3.6: PDUs used for handling encryption.

### 3.6.1 Encryption mode

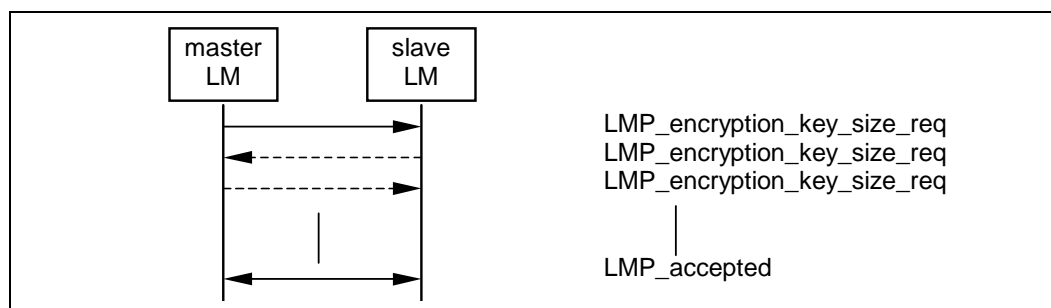
First of all the master and the slave must agree upon whether to use encryption or not and if encryption shall only apply to point-to-point packets or if encryption shall apply to both point-to-point packets and broadcast packets. If master and slave agree on the encryption mode, the master continues to give more detailed information about the encryption.



Sequence 12: Negotiation for encryption mode.

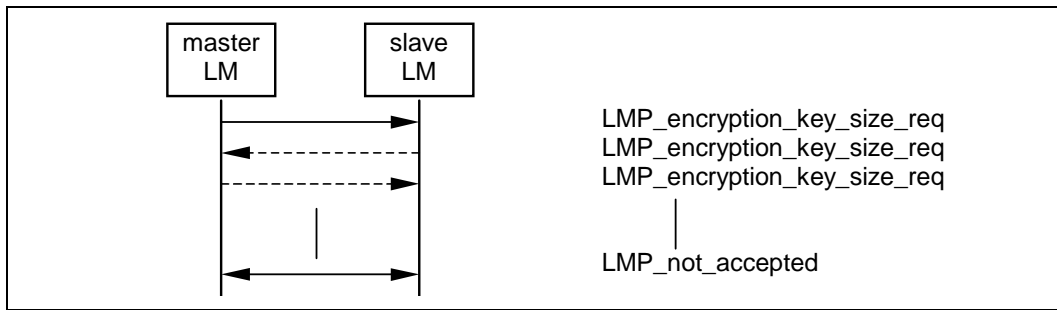
### 3.6.2 Encryption key size

The next step is to determine the size of the encryption key. In the following we use the same terms as in [Baseband Specification Section 14.3.1, on page 160](#). The master sends `LMP_encryption_key_size_req` including the suggested key size  $L_{sug, m}$ , which is initially equal to  $L_{max, m}$ . If  $L_{min, s} \leq L_{sug, m}$  and the slave supports  $L_{sug, m}$  it responds with `LMP_accepted` and  $L_{sug, m}$  will be used as the key size. If both conditions are not fulfilled the slave sends back `LMP_encryption_key_size_req` including the slave's suggested key size  $L_{sug, s}$ . This value is the slave's largest supported key size that is less than  $L_{sug, m}$ . Then the master performs the corresponding test on the slave's suggestion. This procedure is repeated until a key size agreement is reached or it becomes clear that no such agreement can be reached. If an agreement is reached a unit sends `LMP_accepted` and the key size in the last `LMP_encryption_key_size_req` will be used. After this, the encryption is started; see [Section 3.6.3 on page 201](#). If an agreement is not reached a unit sends `LMP_not_accepted` with the reason code *Unsupported parameter value* and the units are not allowed to communicate using Bluetooth link encryption."



Sequence 13: Encryption key size negotiation successful.

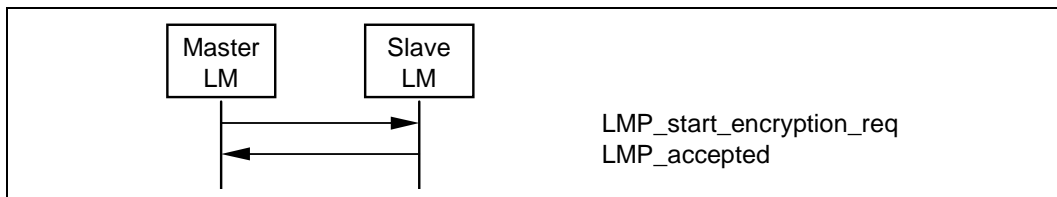




Sequence 14: Encryption key size negotiation failed.

### 3.6.3 Start encryption

Finally, encryption is started. The master issues the random number EN\_RANDOM and calculates the encryption key as  $K_c = E_3(\text{current link key, EN\_RAND, COF})$ . See [Baseband Specification Section 14.2.2.5, on page 156](#) and [14.2.2.2](#) for the definition of the COF. The random number must be the same for all slaves if the piconet should support encrypted broadcast. Then the master sends LMP\_start\_encryption\_req, which includes EN\_RANDOM. The slave calculates  $K_c$  when this message is received and acknowledges with LMP\_accepted. On both sides,  $K_c$  and EN\_RANDOM are used as input to the encryption algorithm  $E_o$ .



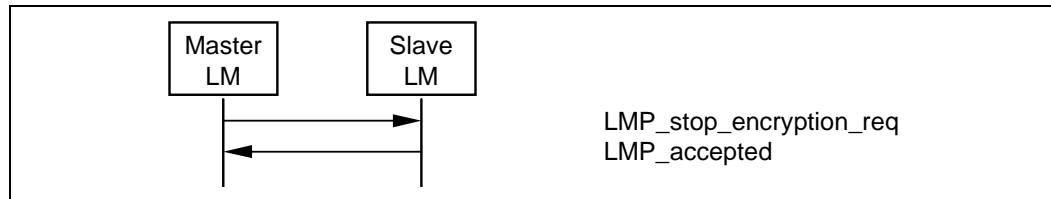
Sequence 15: Start of encryption.

Before starting encryption, higher-layer data traffic must be temporarily stopped to prevent reception of corrupt data. The start of encryption will be done in three steps:

1. Master is configured to transmit unencrypted packets, but to receive encrypted packets.
2. Slave is configured to transmit and receive encrypted packets.
3. Master is configured to transmit and receive encrypted packets.

Between step 1 and step 2, master-to-slave transmission is possible. This is when LMP\_start\_encryption\_req is transmitted. Step 2 is triggered when the slave receives this message. Between step 2 and step 3, slave-to-master transmission is possible. This is when LMP\_accepted is transmitted. Step 3 is triggered when the master receives this message.

### 3.6.4 Stop encryption



Sequence 16: Stop of encryption.

Before stopping encryption, higher-layer data traffic must be temporarily stopped to prevent reception of corrupt data. Stopping of encryption is then done in three steps, similar to the procedure for starting encryption.

1. Master is configured to transmit encrypted packets, but to receive unencrypted packets.
2. Slave is configured to transmit and receive unencrypted packets.
3. Master is configured to transmit and receive unencrypted packets.

Between step 1 and step 2 master to slave transmission is possible. This is when LMP\_stop\_encryption\_req is transmitted. Step 2 is triggered when the slave receives this message. Between step 2 and step 3 slave to master transmission is possible. This is when LMP\_accepted is transmitted. Step 3 is triggered when the master receives this message.

### 3.6.5 Change encryption mode, key or random number

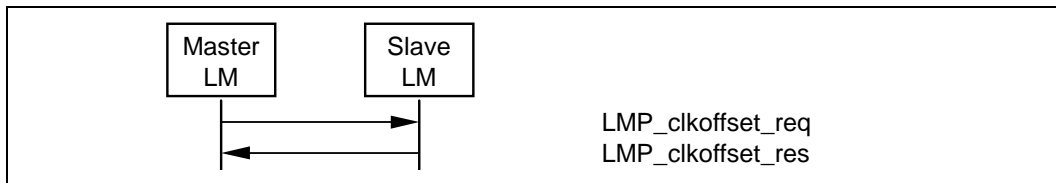
If the encryption mode, encryption key or encryption random number need to be changed, encryption must first be stopped and then re-started with the new parameters.

## 3.7 CLOCK OFFSET REQUEST

When a slave receives the FHS packet, the difference is computed between its own clock and the master’s clock included in the payload of the FHS packet. The clock offset is also updated each time a packet is received from the master. The master can request this clock offset anytime during the connection. By saving this clock offset the master knows on what RF channel the slave wakes up to PAGE SCAN after it has left the piconet. This can be used to speed up the paging time the next time the same device is paged.

M/O	PDU	Contents
M	LMP_clkoffset_req	-
M	LMP_clkoffset_res	clock offset

Table 3.7: PDUs used for clock offset request.



Sequence 17: Clock offset requested.

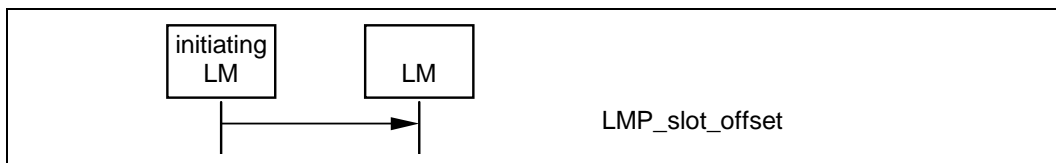
### 3.8 SLOT OFFSET INFORMATION

With LMP\_slot\_offset the information about the difference between the slot boundaries in different piconets is transmitted. This PDU carries the parameters slot offset and BD\_ADDR. The slot offset is the time in  $\mu\text{s}$  between the start of the master's TX slot in the piconet where the PDU is transmitted and the start of the master's TX slot in the piconet where the BD\_ADDR device is master.

Before doing a master-slave switch, see [Section 3.12 on page 206](#), this PDU shall be transmitted from the device that becomes master in the switch procedure. If the master initiates the switch procedure, the slave sends LMP\_slot\_offset before sending LMP\_accepted. If the slave initiates the switch procedure, the slave sends LMP\_slot\_offset before sending LMP\_switch\_req. The PDU can also be useful in inter-piconet communications.

M/O	PDU	Contents
O	LMP_slot_offset	slot offset BD_ADDR

Table 3.8: PDU used for slot offset information.



Sequence 18: Slot offset information is sent.

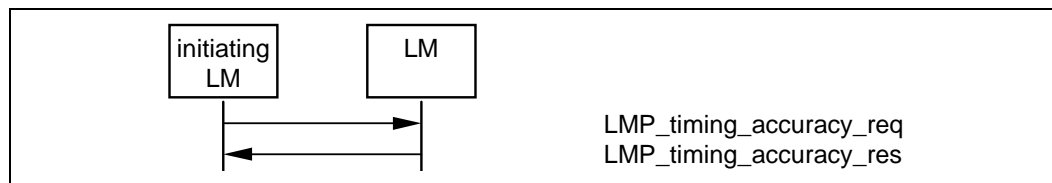
### 3.9 TIMING ACCURACY INFORMATION REQUEST

LMP supports requests for the timing accuracy. This information can be used to minimize the scan window for a given hold time when returning from hold and to extend the maximum hold time. It can also be used to minimize the scan window when scanning for the sniff mode slots or the park mode beacon packets. The timing accuracy parameters returned are the long term drift measured in ppm and the long term jitter measured in  $\mu\text{s}$  of the clock used during hold, sniff and park mode. These parameters are fixed for a certain device and must be identical when requested several times. If a device does not support the tim-

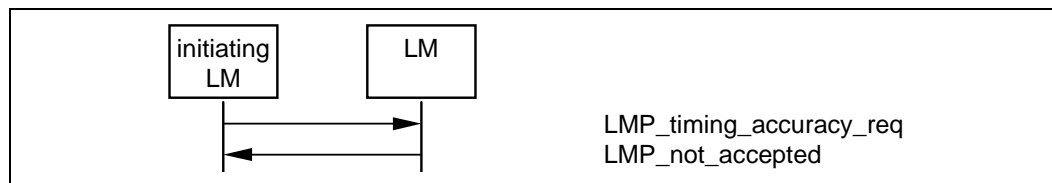
ing accuracy information it sends LMP\_not\_accepted with the reason code *unsupported LMP feature* when the request is received. The requesting device must in this case assume worst case values (drift=250ppm and jitter=10µs).

M/O	PDU	Contents
O	LMP_timing_accuracy_req	-
O	LMP_timing_accuracy_res	drift jitter

Table 3.9: PDUs used for requesting timing accuracy information.



Sequence 19: The requested device supports timing accuracy information.



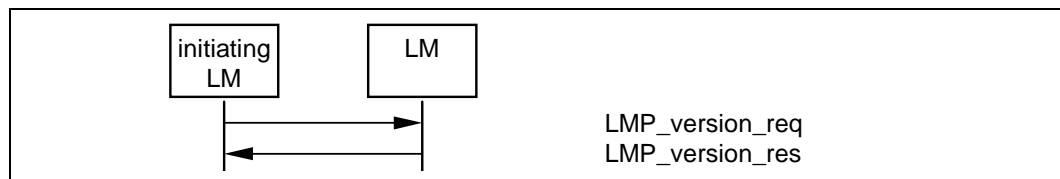
Sequence 20: The requested device does not support timing accuracy information.

### 3.10 LMP VERSION

LMP supports requests for the version of the LM protocol. The requested device will send a response with three parameters: VersNr, Compld and SubVersNr. VersNr specifies the version of the Bluetooth LMP specification that the device supports. Compld is used to track possible problems with the lower Bluetooth layers. All companies that create a unique implementation of the Link Manager shall have their own Compld. The same company is also responsible for the administration and maintenance of the SubVersNr. It is recommended that each company has a unique SubVersNr for each RF/BB/LM implementation. For a given VersNr and Compld, the values of the SubVersNr must increase each time a new implementation is released. For both Compld and SubVersNr the value 0xFFFF means that no valid number applies. There is no ability to negotiate the version of the LMP. The sequence below is only used to exchange the parameters.

M/O	PDU	Contents
M	LMP_version_req	VersNr Compld SubVersNr
M	LMP_version_res	VersNr Compld SubVersNr

Table 3.10: PDUs used for LMP version request.



Sequence 21: Request for LMP version.

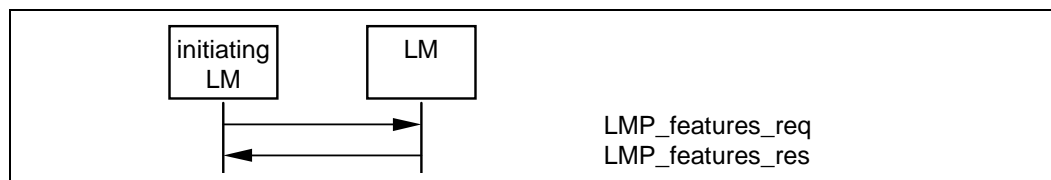
### 3.11 SUPPORTED FEATURES

The Bluetooth radio and link controller may support only a subset of the packet types and features described in [Baseband Specification](#) and [Radio Specification](#). The PDU LMP\_features\_req and LMP\_features\_res are used to exchange this information. A device may not send any packets other than ID, FHS, NULL, POLL, DM1 or DH1 before it is aware of the supported features of the other device. After the features request has been carried out, the intersection of the supported packet types for both sides may also be transmitted. Whenever a request is issued, it must be compatible with the supported features of the other device. For instance, when establishing an SCO link the initiator may not propose to use HV3 packets if that packet type is not supported by the other device. Exceptions to this rule are LMP switch reg and LMP slot offset, which can be sent as the first LMP messages when two Bluetooth

devices have been connected and before the requesting side is aware of the other side's features (switch is an optional feature).

M/O	PDU	Contents
M	LMP_features_req	features
M	LMP_features_res	features

Table 3.11: PDUs used for features request.



Sequence 22: Request for supported features.

### 3.12 SWITCH OF MASTER-SLAVE ROLE

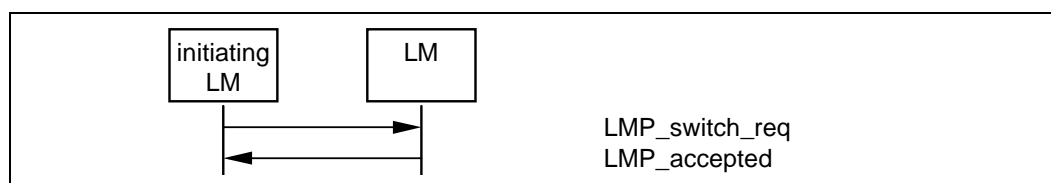
Since the paging device always becomes the master of the piconet, a switch of the master-slave role is sometimes needed, see [Baseband Specification Section 10.9.3, on page 123](#). Suppose device A is slave and device B is master. The device that initiates the switch finalizes the transmission of the current L2CAP message and then sends LMP\_switch\_req.

If the switch is accepted, the other device finalizes the transmission of the current L2CAP message and then responds with LMP\_accepted. After this, the procedure described from the 2nd bullet in [Baseband Specification Section 10.9.3, on page 123](#) is carried out.

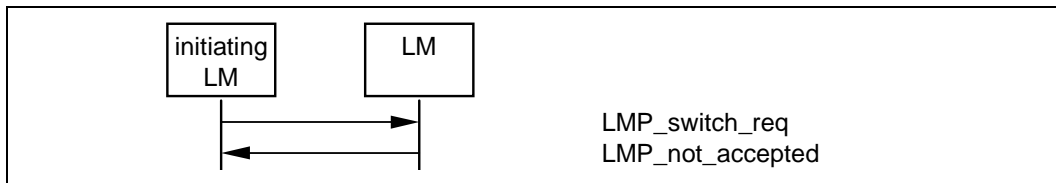
If the switch is rejected, the other device responds with LMP\_not\_accepted and no switch is performed.

M/O	PDU	Contents
O	LMP_switch_req	-

Table 3.12: PDU used for master slave switch.



Sequence 23: Master-slave switch accepted.



Sequence 24: Master-slave switch not accepted.

### 3.13 NAME REQUEST

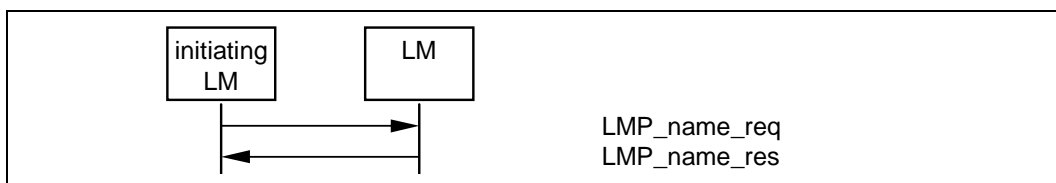
LMP supports name request to another Bluetooth device. The name is a user-friendly name associated with the Bluetooth device and consists of a maximum of 248 bytes coded according to the UTF-8 standard. The name is fragmented over one or more DM1 packets. When the LMP\_name\_req is sent, a name offset indicates which fragment is expected. The corresponding LMP\_name\_res carries the same name offset, the name length indicating the total number of bytes in the name of the Bluetooth device and the name fragment, where:

- name fragment(N) = name(N + name offset), if (N + name offset) < name length
- name fragment(N) = 0 ,otherwise.

Here  $0 \leq N \leq 13$ . In the first sent LMP\_name\_req, name offset=0. Sequence 25 is then repeated until the initiator has collected all fragments of the name.

M/O	PDU	Contents
M	LMP_name_req	name offset
M	LMP_name_res	name offset name length name fragment

Table 3.13: PDUs used for name request.



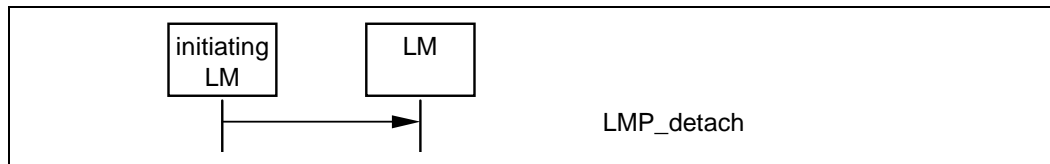
Sequence 25: Device's name requested and it responses.

### 3.14 DETACH

The connection between two Bluetooth devices can be closed anytime by the master or the slave. A reason parameter is included in the message to inform the other party of why the connection is closed.

M/O	PDU	Contents
M	LMP_detach	reason

Table 3.14: PDU used for detach.



Sequence 26: Connection closed by sending LMP\_detach.

### 3.15 HOLD MODE

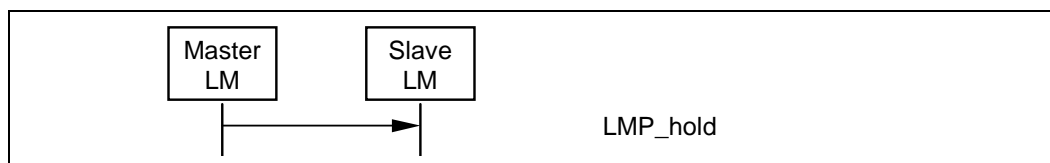
The ACL link of a connection between two Bluetooth devices can be placed in hold mode for a specified hold time. During this time no ACL packets will be transmitted from the master. The hold mode is typically entered when there is no need to send data for a relatively long time. The transceiver can then be turned off in order to save power. But the hold mode can also be used if a device wants to discover or be discovered by other Bluetooth devices, or wants to join other piconets. What a device actually does during the hold time is not controlled by the hold message, but it is up to each device to decide.

M/O	PDU	Contents
O	LMP_hold	hold time
O	LMP_hold_req	hold time

Table 3.15: PDUs used for hold mode.

#### 3.15.1 Master forces hold mode

The master can force hold mode if there has previously been a request for hold mode that has been accepted. The hold time included in the PDU when the master forces hold mode cannot be longer than any hold time the slave has previously accepted when there was a request for hold mode.

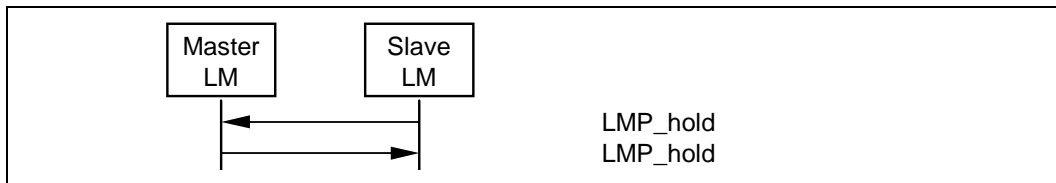


Sequence 27: Master forces slave into hold mode.

#### 3.15.2 Slave forces hold mode

The slave can force hold mode if there has previously been a request for hold mode that has been accepted. The hold time included in the PDU when the slave forces hold mode cannot be longer than any hold time the master has previously accepted when there was a request for hold mode.

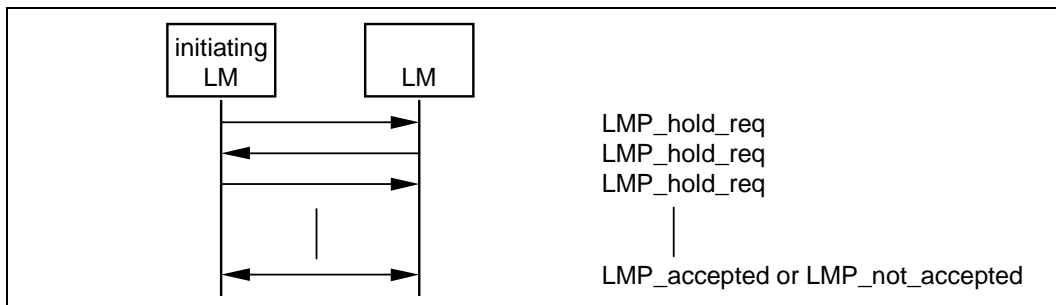




Sequence 28: Slave forces master into hold mode.

### 3.15.3 Master or slave requests hold mode

The master or the slave can request to enter hold mode. Upon receipt of the request, the same request with modified parameters can be returned or the negotiation can be terminated. If an agreement is seen LMP\_accepted terminates the negotiation and the ACL link is placed in hold mode. If no agreement is seen, LMP\_not\_accepted with the reason code *unsupported parameter value* terminates the negotiation and hold mode is not entered.



Sequence 29: Negotiation for hold mode.

### 3.16 SNIFF MODE

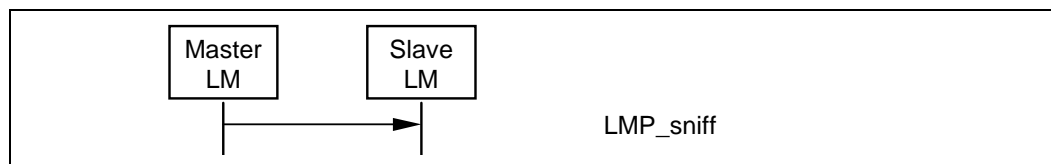
To enter sniff mode, master and slave negotiate a sniff interval  $T_{sniff}$  and a sniff offset,  $D_{sniff}$ , which specifies the timing of the sniff slots. The offset determines the time of the first sniff slot; after that the sniff slots follows periodically with the sniff interval  $T_{sniff}$ . To avoid problems with a clock wrap-around during the initialization, one of two options is chosen for the calculation of the first sniff slot. A timing control flag in the message from the master indicates this. Note: Only bit1 of this field is valid.

When the link is in sniff mode the master can only start a transmission in the sniff slot. Two parameters control the listening activity in the slave. The sniff attempt parameter determines for how many slots the slave must listen, beginning at the sniff slot, even if it does not receive a packet with its own AM address. The sniff timeout parameter determines for how many additional slots the slave must listen if it continues to receive only packets with its own AM address.

M/O	PDU	Contents
O	LMP_sniff	timing control flags D <sub>sniff</sub> T <sub>sniff</sub> sniff attempt sniff timeout
O	LMP_sniff_req	timing control flags D <sub>sniff</sub> T <sub>sniff</sub> sniff attempt sniff timeout
O	LMP_unsniff_req	-

Table 3.16: PDUs used for sniff mode.

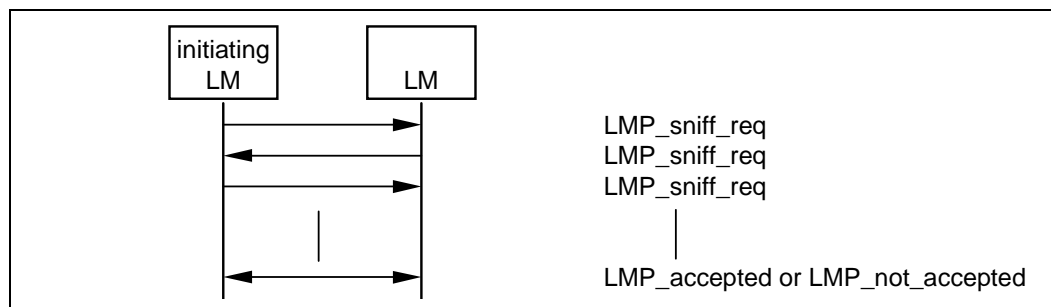
### 3.16.1 Master forces a slave into sniff mode



Sequence 30: Master forces slave into sniff mode.

### 3.16.2 Master or slave requests sniff mode

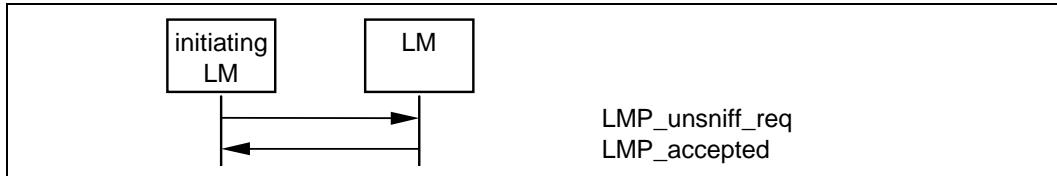
The master or the slave can request to enter sniff mode. Upon receipt of the request, the same request with modified parameters can be returned or the negotiation can be terminated. If an agreement is seen LMP\_accepted terminates the negotiation and the ACL link is placed in sniff mode. If no agreement is seen, LMP\_not\_accepted with the reason code *unsupported parameter value* terminates the negotiation and sniff mode is not entered.



Sequence 31: Negotiation for sniff mode.

### 3.16.3 Moving a slave from sniff mode to active mode

Sniff mode is ended by sending the PDU `LMP_unsniff_req`. The requested device must reply with `LMP_accepted`. If the slave requests it will enter active mode after receiving `LMP_accepted`. If the master requests, the slave will enter active mode after receiving `LMP_unsniff_req`.



Sequence 32: Slave moved from sniff mode to active mode.

## 3.17 PARK MODE

If a slave does not need to participate in the channel, but still should be FH-synchronized, it can be placed in park mode. In this mode the device gives up its `AM_ADDR` but still re-synchronizes to the channel by waking up at the beacon instants separated by the beacon interval. The beacon interval, a beacon offset and a flag indicating how the first beacon instant is calculated determine the first beacon instant. After this the beacon instants follow periodically at the predetermined beacon interval. At the beacon instant the parked slave can be activated again by the master, the master can change the park mode parameters, transmit broadcast information or let the parked slaves request access to the channel.

All PDUs sent from the master to the parked slaves are broadcast. These PDUs (`LMP_set_broadcast_scan_window`, `LMP_modify_beacon`, `LMP_unpark_BD_addr_req` and `LMP_unpark_PM_addr_req`) are the only PDUs that can be sent to a slave in park mode and the only PDUs that can be broadcast. To increase reliability for broadcast, the packets are made as short as possible. Therefore the format for these LMP PDUs are somewhat different. The parameters are not always byte-aligned and the length of the PDUs is variable.

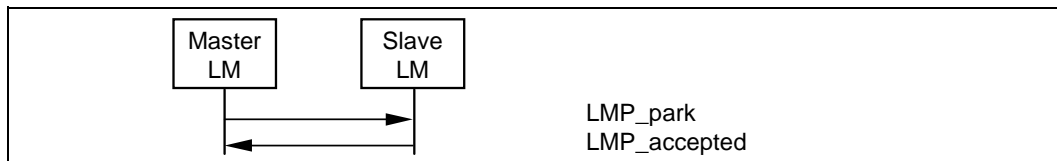
The messages for controlling the park mode include many parameters, which are all defined in [Baseband Specification Section 10.8.4, on page 115](#). When a slave is placed in park mode it is assigned a unique `PM_ADDR`, which can be used by the master to unpark that slave. The all-zero `PM_ADDR` has a special meaning; it is not a valid `PM_ADDR`. If a device is assigned this `PM_ADDR`, it must be identified with its `BD_ADDR` when it is unparked by the master.

M/O	PDU	Contents
O	LMP_park_req	-
O	LMP_park	timing control flags $D_B$ $T_B$ $N_B$ $\Delta_B$ PM_ADDR AR_ADDR $N_{B\text{sleep}}$ $D_{B\text{sleep}}$ $D_{\text{access}}$ $T_{\text{access}}$ $N_{\text{acc-slots}}$ $N_{\text{poll}}$ $M_{\text{access}}$ access scheme
O	LMP_set_broadcast_scan_window	timing control flags $D_B$ (optional) broadcast scan window
O	LMP_modify_beacon	timing control flags $D_B$ (optional) $T_B$ $N_B$ $\Delta_B$ $D_{\text{access}}$ $T_{\text{access}}$ $N_{\text{acc-slots}}$ $N_{\text{poll}}$ $M_{\text{access}}$ access scheme
O	LMP_unpark_PM_ADDR_req	timing control flags $D_B$ (optional) AM_ADDR PM_ADDR AM_ADDR (optional) PM_ADDR (optional) (totally 1-7 pairs of AM_ADDR, PM_ADDR)
O	LMP_unpark_BD_ADDR_req	timing control flags $D_B$ (optional) AM_ADDR BD_ADDR AM_ADDR (optional) BD_ADDR (optional)

Table 3.17: PDUs used for park mode.

### 3.17.1 Master forces a slave into park mode

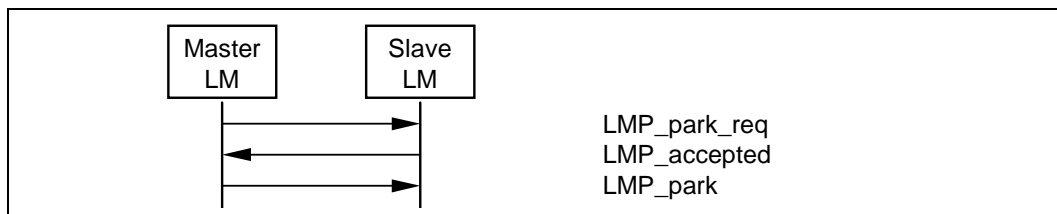
The master can force park mode. The master finalizes the transmission of the current L2CAP message and then sends LMP\_park. When this PDU is received by the slave, it finalizes the transmission of the current L2CAP message and then sends LMP\_accepted.



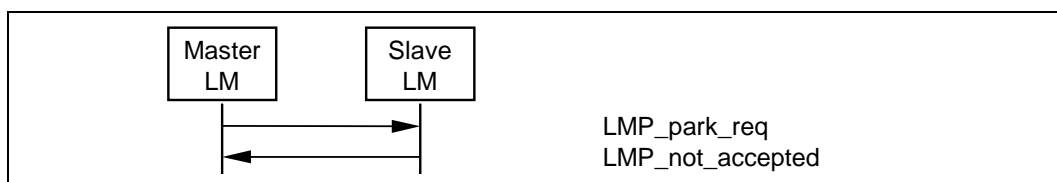
Sequence 33: Slave forced into park mode.

### 3.17.2 Master requests slave to enter park mode

The master can request park mode. The master finalizes the transmission of the current L2CAP message and then sends LMP\_park\_req. If the slave accepts to enter park mode it finalizes the transmission of the current L2CAP message and then responds with LMP\_accepted. Finally the master sends LMP\_park. If the slave rejects park mode it sends LMP\_not\_accepted.



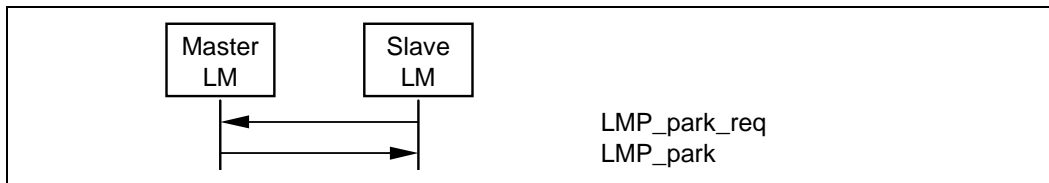
Sequence 34: Slave accepts to be placed in park mode.



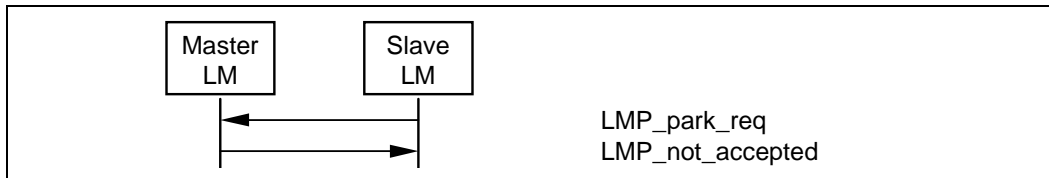
Sequence 35: Slave rejects to be placed in park mode.

### 3.17.3 Slave requests to be placed in park mode

The slave can request park mode. The slave finalizes the transmission of the current L2CAP message and then sends LMP\_park\_req. If the master accepts park mode it finalizes the transmission of the current L2CAP message and then sends LMP\_park. If the master rejects park mode it sends LMP\_not\_accepted.



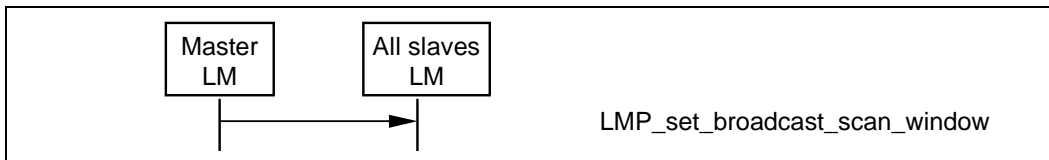
Sequence 36: Master accepts and places slave in park mode.



Sequence 37: Master rejects to place slave in park mode.

### 3.17.4 Master sets up broadcast scan window

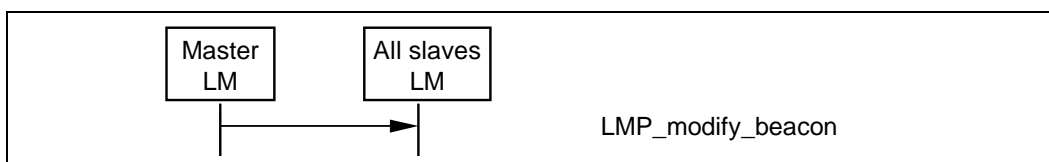
If more broadcast capacity is needed than the beacon train, the master can indicate to the slaves that more broadcast information will follow the beacon train by sending `LMP_set_broadcast_scan_window`. This message is always sent in a broadcast packet at the beacon slot(s). The scan window starts in the beacon instant and is only valid for the current beacon.



Sequence 38: Master notifies all slaves of increase in broadcast capacity.

### 3.17.5 Master modifies beacon parameters

When the beacon parameters change the master notifies the parked slaves of this by sending `LMP_modify_beacon`. This message is always sent in a broadcast packet at the beacon slot(s).



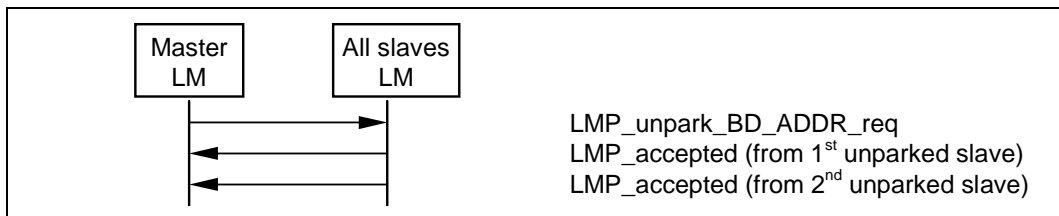
Sequence 39: Master modifies beacon parameters.

### 3.17.6 Unparking slaves

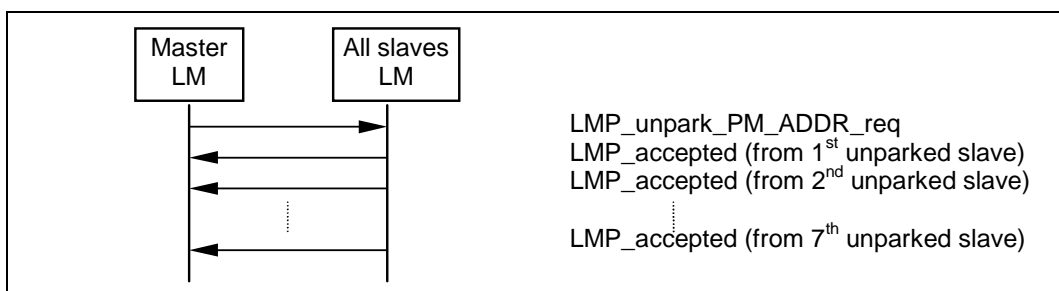
The master can unpark one or many slaves by sending a broadcast LMP message including the `PM_ADDR` or the `BD_ADDR` of the device(s) it wishes to

unpark at the beacon slot(s). This message also includes the AM\_ADDR that the master assigns to the slave(s). After sending this message, the master must check the success of the unpark by polling each unparked slave, i.e. sending POLL packets, so that the slave is granted access to the channel. The unparked slave must then send a response with LMP\_accepted. If this message is not received from the slave within a certain time after the master sent the unpark message, the unpark failed and the master must consider the slave as still being in park mode.

One message is used where the parked device is identified with the PM\_ADDR, and another message is used where it is identified with the BD\_ADDR. Both messages have variable length depending on the number of slaves the master unparks. For each slave the master wishes to unpark an AM\_ADDR followed by the PM/BD\_ADDR of the device that is assigned this AM\_ADDR is included in the payload. If the slaves are identified with the PM\_ADDR a maximum of 7 slaves can be unparked with the same message. If they are identified with the BD\_ADDR a maximum of 2 slaves can be unparked with the same message.



Sequence 40: Master unparks slaves addressed with their BD\_ADDR.



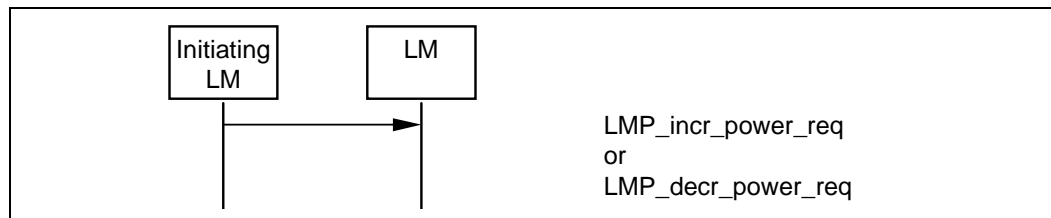
Sequence 41: Master unparks slaves addressed with their PM\_ADDR.

### 3.18 POWER CONTROL

If the RSSI value differs too much from the preferred value of a Bluetooth device, it can request an increase or a decrease of the other device's TX power. Upon receipt of this message, the output power is increased or decreased one step. See [Radio Specification Section 3.1, on page 21](#) for the definition of the step size. At the master side the TX power is completely independent for different slaves; a request from one slave can only effect the master's TX power for that same slave.

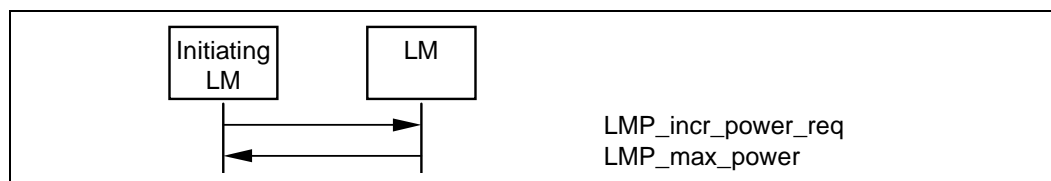
M/O	PDU	Contents
O	LMP_incr_power_req	for future use (1 Byte)
O	LMP_decr_power_req	for future use (1 Byte)
O	LMP_max_power	-
O	LMP_min_power	-

Table 3.18: PDUs used for power control.

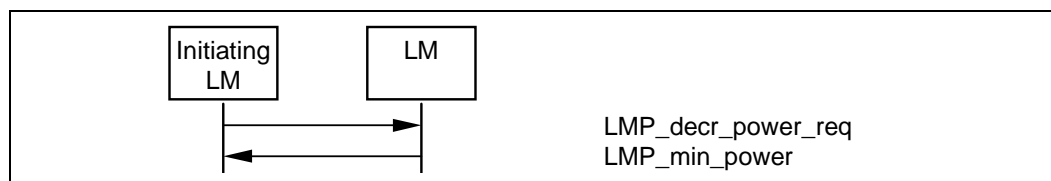


Sequence 42: A device requests a change of the other device's TX power.

If the receiver of LMP\_incr\_power\_req already transmits at maximum power LMP\_max\_power is returned. The device may then only request an increase again after having requested a decrease at least once. Similarly, if the receiver of LMP\_decr\_power\_req already transmits at minimum power then LMP\_min\_power is returned and the device may only request a decrease again after having requested an increase at least once.



Sequence 43: The TX power cannot be increased.



Sequence 44: The TX power cannot be decreased.

One byte is reserved in LMP\_incr/decr\_power\_req for future use. It could, for example, be the mismatch between preferred and measured RSSI. The receiver of LMP\_incr/decr\_power\_req could then use this value to adjust to the correct power at once, instead of only changing it one step for each request. The parameter value must be 0x00 for all versions of LMP where this parameter is not yet defined.

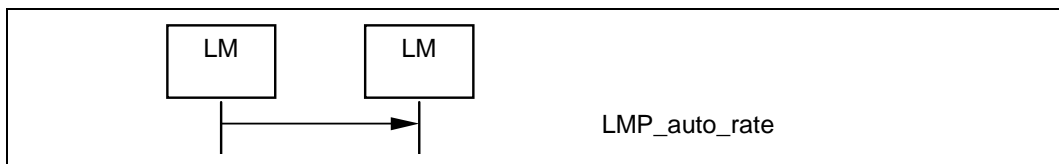


### 3.19 CHANNEL QUALITY-DRIVEN CHANGE BETWEEN DM AND DH

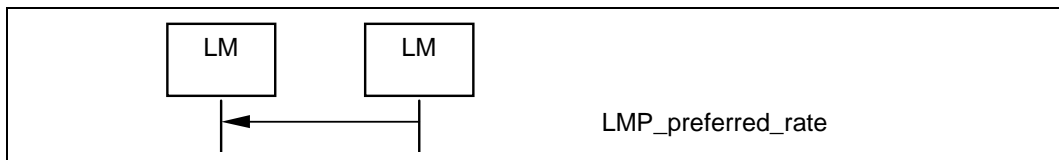
A device is configured to always use DM packets or to always use DH packets or to automatically adjust its packet type according to the quality of the channel. Nevertheless, all devices are capable of transmitting either DM or DH packets. The difference between DM and DH is that the payload in a DM packet is protected with a 2/3 FEC code, whereas the payload of a DH is not protected with any FEC. If a device wants to automatically adjust between DM and DH it sends LMP\_auto\_rate to the other device. Based upon quality measures in LC, the device determines if throughput will be increased by a change of packet type. If so, LMP\_preferred\_rate is sent to the other device. The PDUs used for this are:

M/O	PDU	Contents
O	LMP_auto_rate	-
O	LMP_preferred_rate	data rate

Table 3.19: PDUs used for quality driven change of the data rate.



Sequence 45: The left-hand unit is configured to automatically change between DM and DH.



Sequence 46: The right-hand device orders the left-hand device to change data rate.

### 3.20 QUALITY OF SERVICE (QoS)

The Link Manager provides Quality of Service capabilities. A poll interval, which is defined as the maximum time between subsequent transmissions from the master to a particular slave, is used to support bandwidth allocation and latency control. The poll interval is guaranteed except when there are collisions with page, page scan, inquiry and inquiry scan.

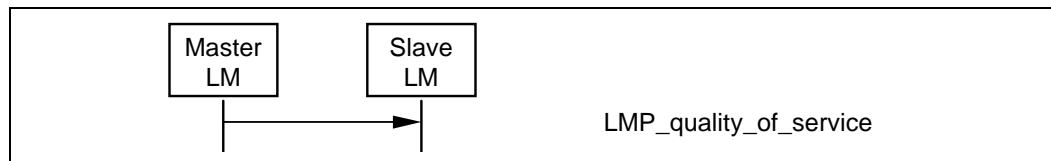
In addition, master and slave negotiate the number of repetitions for broadcast packets (NBC), see [Baseband Specification Section 5.3](#), on page 68.

M/O	PDU	Contents
M	LMP_quality_of_service	poll interval N <sub>BC</sub>
M	LMP_quality_of_service_req	poll interval N <sub>BC</sub>

Table 3.20: PDUs used for quality of service.

#### 3.20.1 Master notifies slave of the quality of service

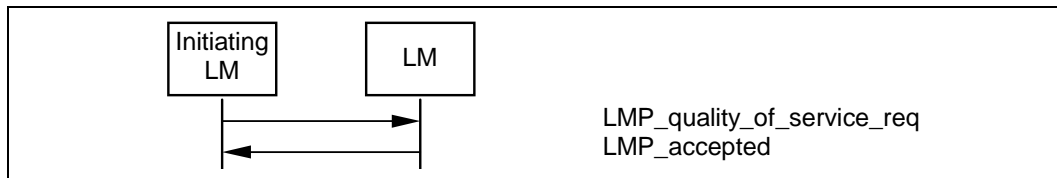
In this case the master notifies the slave of the new poll interval and N<sub>BC</sub>. The slave cannot reject the notification.



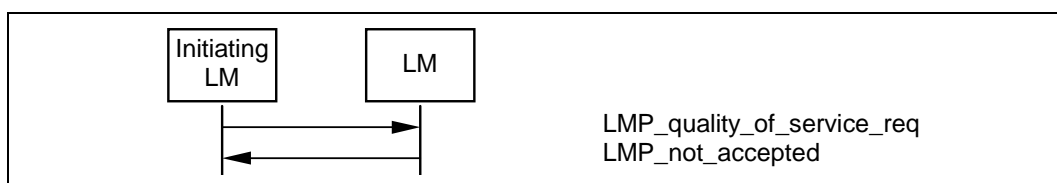
Sequence 47: Master notifies slave of new quality of service.

### 3.20.2 Device requests new quality of service

In this case the master or slave requests a new poll interval and  $N_{BC}$ . The parameter  $N_{BC}$  is meaningful only when it is sent by a master to a slave. For transmission of LMP\_quality\_of\_service\_req PDUs from a slave, this parameter is ignored by the master. The request can be accepted or rejected. This will allow the master and slave to dynamically negotiate the quality of service as needed.



Sequence 48: Device accepts new quality of service



Sequence 49: Device rejects new quality of service.

### 3.21 SCO LINKS

When a connection has been established between two Bluetooth devices the connection consists of an ACL link. One or more SCO links can then be established. The SCO link reserves slots separated by the SCO interval,  $T_{SCO}$ . The first slot reserved for the SCO link is defined by  $T_{SCO}$  and the SCO delay,  $D_{SCO}$ . After that the SCO slots follows periodically with the SCO interval. To avoid problems with a wrap-around of the clock during initialization of the SCO link, a flag indicating how the first SCO slot should be calculated is included in a message from the master. Note: Only bit0 and bit1 of this field is valid. Each SCO link is distinguished from all other SCO links by an SCO handle. The SCO handle zero is never used.

M/O	PDU	Contents
O	LMP_SCO_link_req	SCO handle timing control flags $D_{SCO}$ $T_{SCO}$ SCO packet air mode
O	LMP_remove_SCO_link_req	SCO handle reason

Table 3.21: PDUs used for managing the SCO links.

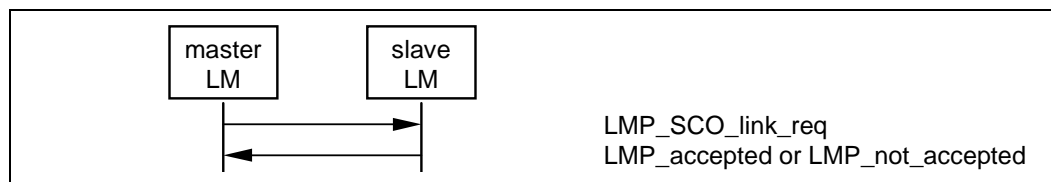
### 3.21.1 Master initiates an SCO link

When establishing an SCO link the master sends a request with parameters that specify the timing, packet type and coding that will be used on the SCO link. For each of the SCO packets Bluetooth supports three different voice coding formats on the air-interface:  $\mu$ -law log PCM, A-law log PCM and CVSD.

The slots used for the SCO links are determined by three parameters controlled by the master:  $T_{SCO}$ ,  $D_{SCO}$  and a flag indicating how the first SCO slot should be calculated. After the first slot, the SCO slots follows periodically with the  $T_{SCO}$ .

If the slave does not accept the SCO link, but is willing to consider another possible set of SCO parameters, it can indicate what it does not accept in the error reason field of LMP\_not\_accepted. The master then has the possibility to issue a new request with modified parameters.

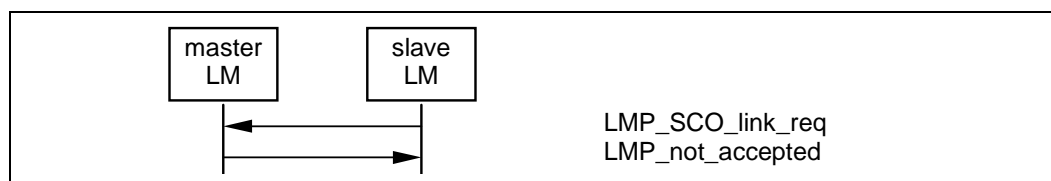
The SCO handle in the message must be different from any already existing SCO link(s).



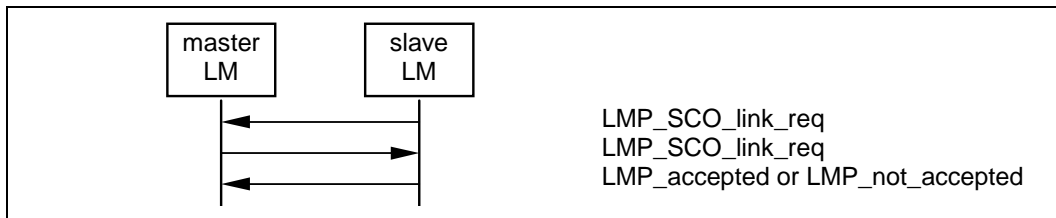
Sequence 50: Master requests an SCO link.

### 3.21.2 Slave initiates an SCO link

The slave can also initiate the establishment of an SCO link. The slave sends LMP\_SCO\_link\_req, but the parameters timing control flags and  $D_{SCO}$  are invalid as well as the SCO handle, which must be zero. If the master is not capable of establishing an SCO link, it replies with LMP\_not\_accepted. Otherwise it sends back LMP\_SCO\_link\_req. This message includes the assigned SCO handle,  $D_{SCO}$  and the timing control flags. For the other parameters, the master should try to use the same parameters as in the slave request; if the master cannot meet that request, it is allowed to use other values. The slave must then reply with LMP\_accepted or LMP\_not\_accepted.



Sequence 51: Master rejects slave's request for an SCO link.



Sequence 52: Master accepts slave's request for an SCO link.

### 3.21.3 Master requests change of SCO parameters

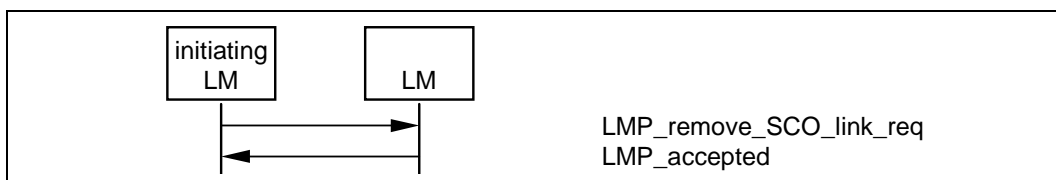
The master sends LMP\_SCO\_link\_req, where the SCO handle is the handle of the SCO link the master wishes to change parameters for. If the slave accepts the new parameters, it replies with LMP\_accepted and the SCO link will change to the new parameters. If the slave does not accept the new parameters, it replies with LMP\_not\_accepted and the SCO link is left unchanged. When the slave replies with LMP\_not\_accepted it shall indicate in the error reason parameter what it does not accept. The master can then try to change the SCO link again with modified parameters. The sequence is the same as in [Section 3.21.1 on page 220](#).

### 3.21.4 Slave requests change of SCO parameters

The slave sends LMP\_SCO\_link\_req, where the SCO handle is the handle of the SCO link the slave wishes to change parameters for. The parameters timing control flags and  $D_{SCO}$  are not valid in this message. If the master does not accept the new parameters it replies with LMP\_not\_accepted and the SCO link is left unchanged. If the master accepts the new parameters it replies with LMP\_SCO\_link\_req, where it must use the same parameters as in the slave request. When receiving this message the slave replies with LMP\_not\_accepted if it does not accept the new parameters. The SCO link is then left unchanged. If the slave accepts the new parameters it replies with LMP\_accepted and the SCO link will change to the new parameters. The sequence is the same as in [Section 3.21.2 on page 220](#).

### 3.21.5 Remove an SCO link

Master or slave can remove the SCO link by sending a request including the SCO handle of the SCO link to be removed and a reason indicating why the SCO link is removed. The receiving party must respond with LMP\_accepted.



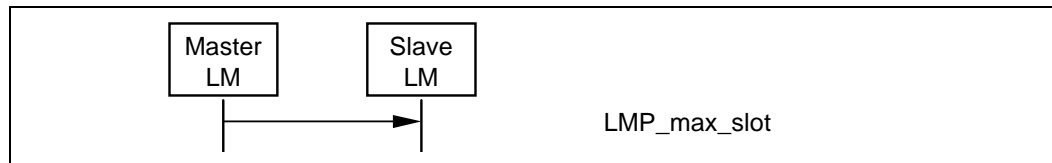
Sequence 53: SCO link removed.

### 3.22 CONTROL OF MULTI-SLOT PACKETS

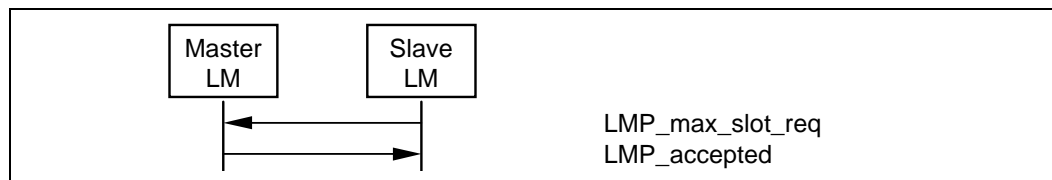
The number of slots used by a slave in its return packet can be limited. The master allows the slave to use a maximal number of slots by sending the PDU LMP\_max\_slot providing max slots as parameter. Each slave can request to use a maximal number of slots by sending the PDU LMP\_max\_slot\_req providing max slots as parameter. The default value is 1 slot, i.e. if the slave has not been informed about the number of slots, it may only use 1-slot packets. Two PDUs are used for the control of multi-slot packets.

M/O	PDU	Contents
M	LMP_max_slot	max slots
M	LMP_max_slot_req	max slots

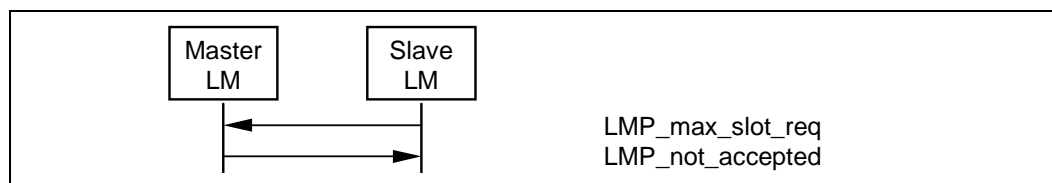
Table 3.22: PDUs used to control the use of multi-slot packets.



Sequence 54: Master allows slave to use a maximal number of slots.



Sequence 55: Slave requests to use a maximal number of slots. Master accepts.



Sequence 56: Slave requests to use a maximal number of slots. Master rejects.

### 3.23 PAGING SCHEME

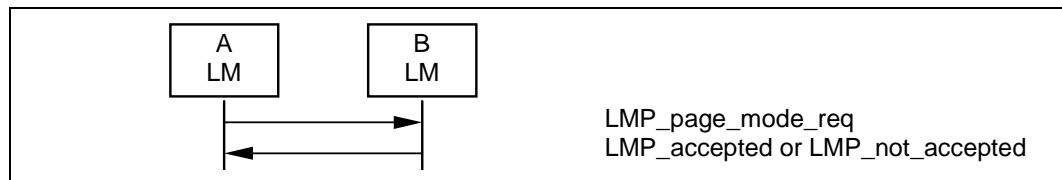
In addition to the mandatory paging scheme, Bluetooth defines optional paging schemes; see “Appendix VII” on page 999. LMP provides a means to negotiate the paging scheme, which is to be used the next time a unit is paged.

M/O	PDU	Contents
O	LMP_page_mode_req	paging scheme paging scheme settings
O	LMP_page_scan_mode_req	paging scheme paging scheme settings

Table 3.23: PDUs used to request paging scheme.

#### 3.23.1 Page mode

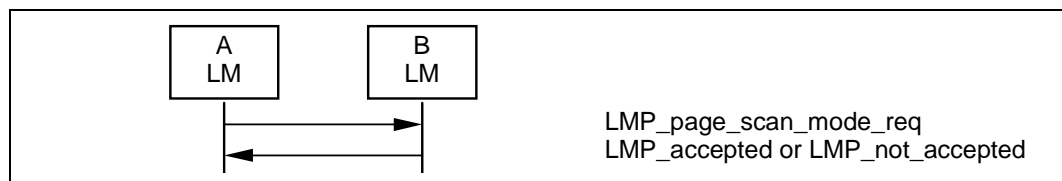
This procedure is initiated from device A and negotiates the paging scheme used when device A pages device B. Device A proposes a paging scheme including the parameters for this scheme and device B can accept or reject. On rejection the old setting is not changed. A request to switch back to the mandatory scheme may be rejected.



Sequence 57: Negotiation for page mode.

#### 3.23.2 Page scan mode

This procedure is initiated from device A and negotiates the paging scheme used when device B pages device A. Device A proposes a paging scheme including the parameters for this scheme and device B can accept or reject. On rejection the old setting is not changed. A request to switch to the mandatory scheme must be accepted.



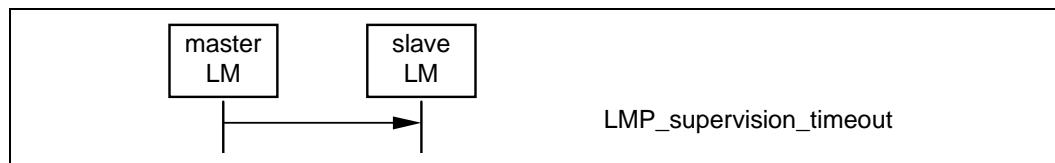
Sequence 58: Negotiation for page scan mode

### 3.24 LINK SUPERVISION

Each Bluetooth link has a timer that is used for link supervision. This timer is used to detect link loss caused by devices moving out of range, a device’s power-down, or other similar failure cases. The scheme for link supervision is described in [Baseband Specification Section 10.11, on page 126](#). An LMP procedure is used to set the value of the supervision timeout.

M/O	PDU	Contents
M	LMP_supervision_timeout	supervision timeout

Table 3.24: PDU used to set the supervision timeout.



Sequence 59: Setting the link supervision timeout.



## 4 CONNECTION ESTABLISHMENT

After the paging procedure, the master must poll the slave by sending POLL or NULL packets, with a max poll interval as defined in [Table 5.5 on page 236](#). LMP procedures that do not require any interactions between the LM and the host at the paged unit's side can then be carried out.

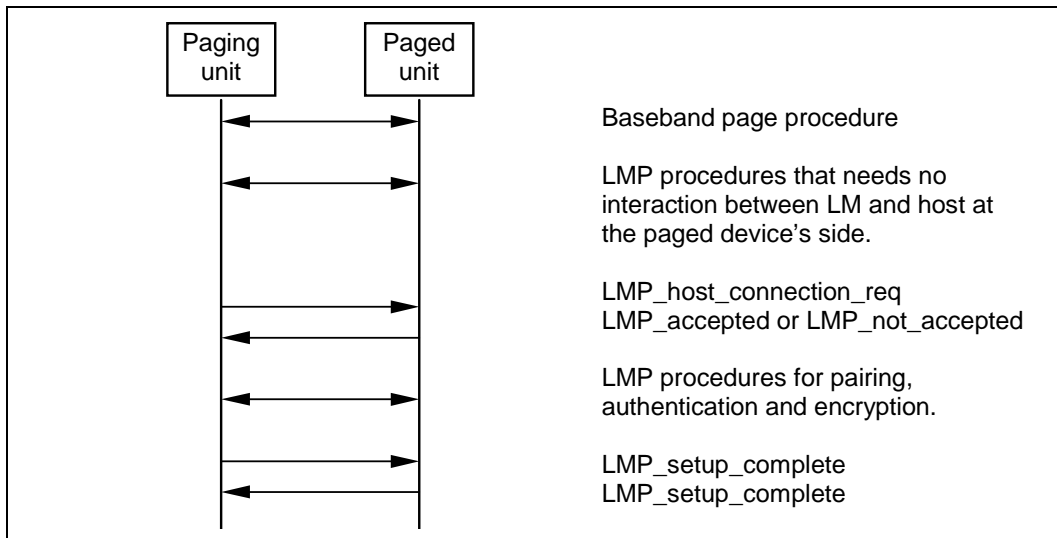


Figure 4.1: Connection establishment.

When the paging device wishes to create a connection involving layers above LM, it sends LMP\_host\_connection\_req. When the other side receives this message, the host is informed about the incoming connection. The remote device can accept or reject the connection request by sending LMP\_accepted or LMP\_not\_accepted.

When a device does not require any further link set-up procedures, it will send LMP\_setup\_complete. The device will still respond to requests from the other device. When the other device is also ready with link set-up, it will send LMP\_setup\_complete. After this, the first packet on a logical channel different from LMP can then be transmitted.

M/O	PDU	Contents
M	LMP_host_connection_req	-
M	LMP_setup_complete	-

Table 4.1: PDUs used for connection establishment.

## 5 SUMMARY OF PDUs

LMP PDU	Length (bytes)	op code	Packet type	Possible direction	Contents	Position in payload
LMP_accepted	2	3	DM1/DV	m ↔ s	op code	2
LMP_au_rand	17	11	DM1	m ↔ s	random number	2-17
LMP_auto_rate	1	35	DM1/DV	m ↔ s	-	
LMP_clkoffset_req	1	5	DM1/DV	m → s	-	
LMP_clkoffset_res	3	6	DM1/DV	m ← s	clock offset	2-3
LMP_comb_key	17	9	DM1	m ↔ s	random number	2-17
LMP_decr_power_req	2	32	DM1/DV	m ↔ s	for future use	2
LMP_detach	2	7	DM1/DV	m ↔ s	reason	2
LMP_encryption_key_size_req	2	16	DM1/DV	m ↔ s	key size	2
LMP_encryption_mode_req	2	15	DM1/DV	m ↔ s	encryption mode	2
LMP_features_req	9	39	DM1/DV	m ↔ s	features	2-9
LMP_features_res	9	40	DM1/DV	m ↔ s	features	2-9
LMP_host_connection_req	1	51	DM1/DV	m ↔ s	-	
LMP_hold	3	20	DM1/DV	m ↔ s	hold time	2-3
LMP_hold_req	3	21	DM1/DV	m ↔ s	hold time	2-3
LMP_incr_power_req	2	31	DM1/DV	m ↔ s	for future use	2
LMP_in_rand	17	8	DM1	m ↔ s	random number	2-17
LMP_max_power	1	33	DM1/DV	m ↔ s	-	

Table 5.1: Coding of the different LM PDUs.

LMP PDU	Length (bytes)	op code	Packet type	Possible direction	Contents	Position in payload
LMP_max_slot	2	45	DM1/DV	m → s	max slots	2
LMP_max_slot_req	2	46	DM1/DV	m ← s	max slots	2
LMP_min_power	1	34	DM1/DV	m ↔ s	-	
LMP_modify_beacon	11 or 13	28	DM1	m → s	timing control flags	2
					$D_B$	3-4
					$T_B$	5-6
					$N_B$	7
					$\Delta_B$	8
					$D_{access}$	9
					$T_{access}$	10
					$N_{acc-slots}$	11
					$N_{poll}$	12
					$M_{access}$	13:0-3
access scheme	13:4-7					
LMP_name_req	2	1	DM1/DV	m ↔ s	name offset	2
LMP_name_res	17	2	DM1	m ↔ s	name offset	2
					name length	3
					name fragment	4-17
LMP_not_accepted	3	4	DM1/DV	m ↔ s	op code	2
					reason	3
LMP_page_mode_req	3	53	DM1/DV	m ↔ s	paging scheme	2
					paging scheme settings	3
LMP_page_scan_mode_req	3	54	DM1/DV	m ↔ s	paging scheme	2
					paging scheme settings	3

Table 5.1: Coding of the different LM PDUs.

LMP PDU	Length (bytes)	op code	Packet type	Possible direction	Contents	Position in payload
LMP_park	17	26	DM	m → s	timing control flags	2
					D <sub>B</sub>	3-4
					T <sub>B</sub>	5-6
					N <sub>B</sub>	7
					Δ <sub>B</sub>	8
					PM_ADDR	9
					AR_ADDR	10
					N <sub>Bsleep</sub>	11
					D <sub>Bsleep</sub>	12
					D <sub>access</sub>	13
					T <sub>access</sub>	14
					N <sub>acc-slots</sub>	15
					N <sub>poll</sub>	16
M <sub>access</sub>	17:0-3					
access scheme	17:4-7					
LMP_park_req	1	25	DM1/DV	m ↔ s	-	
LMP_preferred_rate	2	36	DM1/DV	m ↔ s	data rate	2
LMP_quality_of_service	4	41	DM1/DV	m → s	poll interval	2-3
					N <sub>BC</sub>	4
LMP_quality_of_service_req	4	42	DM1/DV	m ↔ s	poll interval	2-3
					N <sub>BC</sub>	4
LMP_remove_SCO_link_req	3	44	DM1/DV	m ↔ s	SCO handle	2
					reason	3

Table 5.1: Coding of the different LM PDUs.

LMP PDU	Length (bytes)	op code	Packet type	Possible direction	Contents	Position in payload
LMP_SCO_link_req	7	43	DM1/ DV	m ↔ s	SCO handle	2
					timing control flags	3
					D <sub>sco</sub>	4
					T <sub>sco</sub>	5
					SCO packet	6
					air mode	7
LMP_set_broadcast_scan_window	4 or 6	27	DM1	m → s	timing control flags	2
					D <sub>B</sub>	3-4
					broadcast scan window	5-6
LMP_setup_complete	1	49	DM1	m ↔ s	-	
LMP_slot_offset	9	52	DM1/ DV	m ↔ s	slot offset	2-3
					BD_ADDR	4-9
LMP_sniff	10	22	DM1	m → s	timing control flags	2
					D <sub>sniff</sub>	3-4
					T <sub>sniff</sub>	5-6
					sniff attempt	7-8
					sniff timeout	9-10
LMP_sniff_req	10	23	DM1	m ↔ s	timing control flags	2
					D <sub>sniff</sub>	3-4
					T <sub>sniff</sub>	5-6
					sniff attempt	7-8
					sniff timeout	9-10
LMP_sres	5	12	DM1/ DV	m ↔ s	authentication response	2-5
LMP_start_encryption_req	17	17	DM1	m → s	random number	2-17
LMP_stop_encryption_req	1	18	DM1/ DV	m → s	-	
LMP_supervision_timeout	3	55	DM1/ DV	m ↔ s	supervision timeout	2-3
LMP_switch_req	1	19	DM1/ DV	m ↔ s	-	

Table 5.1: Coding of the different LM PDUs.

LMP PDU	Length (bytes)	op code	Packet type	Possible direction	Contents	Position in payload
LMP_temp_rand	17	13	DM1	m → s	random number	2-17
LMP_temp_key	17	14	DM1	m → s	key	2-17
LMP_timing_accuracy_req	1	47	DM1/DV	m ↔ s	-	
LMP_timing_accuracy_res	3	48	DM1/DV	m ↔ s	drift	2
					jitter	3
LMP_unit_key	17	10	DM1	m ↔ s	key	2-17
LMP_unpark_BD_ADDR_req	variable	29	DM1	m → s	timing control flags	2
					D <sub>B</sub>	3-4
					AM_ADDR 1 <sup>st</sup> unpark	5:0-3
					AM_ADDR 2 <sup>nd</sup> unpark	5:4-7
					BD_ADDR 1 <sup>st</sup> unpark	6-11
BD_ADDR 2 <sup>nd</sup> unpark	12-17					
LMP_unpark_PM_ADDR_req	variable	30	DM1	m → s	timing control flags	2
					D <sub>B</sub>	3-4
					AM_ADDR 1 <sup>st</sup> unpark	5:0-3
					AM_ADDR 2 <sup>nd</sup> unpark	5:4-7
					PM_ADDR 1 <sup>st</sup> unpark	6
PM_ADDR 2 <sup>nd</sup> unpark	7					
LMP_unsniff_req	1	24	DM1/DV	m ↔ s	-	
LMP_use_semi_permanent_key	1	50	DM1/DV	m → s	-	
LMP_version_req	6	37	DM1/DV	m ↔ s	VersNr	2
					Compld	3-4
					SubVersNr	5-6
LMP_version_res	6	38	DM1/DV	m ↔ s	VersNr	2
					Compld	3-4
					SubVersNr	5-6

Table 5.1: Coding of the different LM PDUs.

**Note1:** For LMP\_set\_broadcast\_scan\_window, LMP\_modify\_beacon, LMP\_unpark\_BD\_ADDR\_req and LMP\_unpark\_PM\_ADDR\_req the parameter

$D_B$  is optional. This parameter is only present if bit0 of *timing control flags* is 0. If the parameter is not included, the position in payload for all parameters following  $D_B$  are decreased by 2.

**Note2:** For LMP\_unpark\_BD\_ADDR the AM\_ADDR and the BD\_ADDR of the 2<sup>nd</sup> unparked slave are optional. If only one slave is unparked AM\_ADDR 2<sup>nd</sup> unpark should be zero and BD\_ADDR 2<sup>nd</sup> unpark is left out.

**Note3:** For LMP\_unpark\_PM\_ADDR the AM\_ADDR and the PM\_ADDR of the 2<sup>nd</sup> – 7<sup>th</sup> unparked slaves are optional. If N slaves are unparked, the fields up to and including the N<sup>th</sup> unparked slave are present. If N is odd, the AM\_ADDR (N+1)<sup>th</sup> unpark must be zero. The length of the message is  $x + 3N/2$  if N is even and  $x + 3(N+1)/2 - 1$  if N is odd, where  $x = 2$  or  $4$  depending on if the  $D_B$  is included Or Not (See Note1).

### 5.1 DESCRIPTION OF PARAMETERS

Name	Length (bytes)	Type	Unit	Detailed
access scheme	1	u_int4		0: polling technique 1-15: Reserved
air mode	1	u_int8		0: $\mu$ -law log 1: A-law log 2: CVSD 3-255: Reserved
AM_ADDR	1	u_int4		
AR_ADDR	1	u_int8		
authentication response	4	multiple bytes		
BD_ADDR	6	multiple bytes		
broadcast scan window	2	u_int16	slots	
clock offset	2	u_int16	1.25ms	(CLKN <sub>16-2</sub> slave - CLKN <sub>16-2</sub> master) mod 2 <sup>15</sup> MSbit of second byte not used.
Compld	2	u_int16		see BT Assigned Numbers Section 2.1 on page 1018
D <sub>access</sub>	1	u_int8	slots	
D <sub>B</sub>	2	u_int16	slots	

Table 5.2: Parameters in LM PDUs.

Name	Length (bytes)	Type	Unit	Detailed
D <sub>Bsleep</sub>	1	u_int8	slots	
data rate	1	u_int8		0: medium rate 1: high rate 2-255: Reserved
drift	1	u_int8	ppm	
D <sub>sco</sub>	1	u_int8	slots	
D <sub>sniff</sub>	2	u_int16	slots	
encryption mode	1	u_int8		0: no encryption 1: point-to-point encryption 2: point-to-point and broadcast encryption 3 -255: Reserved
features	8	multiple bytes		See <a href="#">Table 5.3 on page 234</a>
hold time	2	u_int16	slots	
jitter	1	u_int8	µs	
key	16	multiple bytes		
key size	1	u_int8	byte	
M <sub>access</sub>	1	u_int4	slots	
max slots	1	u_int8	slots	
N <sub>acc-slots</sub>	1	u_int8	slots	
name fragment	14	multiple bytes		UTF-8 characters.
name length	1	u_int8	bytes	
name offset	1	u_int8	bytes	
N <sub>B</sub>	1	u_int8		
N <sub>BC</sub>	1	u_int8		
N <sub>Bsleep</sub>	1	u_int8	slots	
N <sub>poll</sub>	1	u_int8	slots	
op code	1	u_int8		
paging scheme	1	u_int8		0: mandatory scheme 1: optional scheme 1 2-255: Reserved

Table 5.2: Parameters in LM PDUs.



Name	Length (bytes)	Type	Unit	Detailed
paging scheme settings	1	u_int8		For mandatory scheme: 0: R0 1: R1 2: R2 3-255: Reserved For optional scheme 1: 0: Reserved 1: R1 2: R2 3-255: Reserved
PM_ADDR	1	u_int8		
poll interval	2	u_int16	slots	
random number	16	multiple bytes		
reason	1	u_int8		See <a href="#">Table 5.4 on page 235</a> .
SCO handle	1	u_int8		
SCO packet	1	u_int8		0: HV1 1: HV2 2: HV3 3-255: Reserved
slot offset	2	u_int16	μs	0 ≤ slot offset < 1250
sniff attempt	2	u_int16	slots	
sniff timeout	2	u_int16	slots	
SubVersNr	2	u_int16		Defined by each company
supervision time-out	2	u_int16	slots	
T <sub>access</sub>	1	u_int8	slots	
T <sub>B</sub>	2	u_int16	slots	
timing control flags	1	u_int8		bit0 = 0: no timing change bit0 = 1: timing change bit1 = 0: use initialization 1 bit1 = 1: use initialization 2 bit2 = 0: access window bit2 = 1: no access window bit3-7: Reserved

Table 5.2: Parameters in LM PDUs.

Name	Length (bytes)	Type	Unit	Detailed
T <sub>sco</sub>	1	u_int8	slots	
T <sub>sniff</sub>	2	u_int16	slots	
VersNr	1	u_int8		0: Bluetooth LMP 1.0 1-255: Reserved
Δ <sub>B</sub>	1	u_int8	slots	

Table 5.2: Parameters in LM PDUs.

### 5.1.1 Coding of features

This parameter is a bitmap with information about the Bluetooth radio-, base-band- and LMP features which a device supports. The bit shall be one if the feature is supported. The feature parameter bits that are not defined in [Table 5.3](#) shall be zero.

Byte	Bit	Supported feature
0	0	3-slot packets
	1	5-slot packets
	2	encryption
	3	slot offset
	4	timing accuracy
	5	switch
	6	hold mode
	7	sniff mode
1	0	park mode
	1	RSSI
	2	channel quality driven data rate
	3	SCO link
	4	HV2 packets
	5	HV3 packets
	6	u-law log
	7	A-law log
2	0	CVSD
	1	paging scheme
	2	power control

Table 5.3: Coding of the parameter features.

### 5.1.2 List of error reasons

The following table contains the codes of the different error reasons used in LMP.

Reason	Description
0x05	Authentication Failure
0x06	Key Missing
0x0A	Max Number Of SCO Connections To A Device (The maximum number of SCO connections to a particle device has been reached. All allowed SCO connection handles to that device are used.)
0x0D	Host Rejected due to limited resources (The host at the remote side has rejected the connection because the remote host did not have enough additional resources to accept the connection.)
0x0E	Host Rejected due to security reasons (The host at the remote side has rejected the connection because the remote host determined that the local host did not meet its security criteria.)
0x0F	Host Rejected due to remote device is only a personal device (The host at the remote side has rejected the connection because the remote host is a personal device and will only accept the connection from one particle remote host.)
0x10	Host Timeout (Used at connection accept timeout, the host did not respond to an incoming connection attempt before the connection accept timer expired.)
0x13	Other End Terminated Connection: User Ended Connection
0x14	Other End Terminated Connection: Low Resources
0x15	Other End Terminated Connection: About to Power Off
0x16	Connection Terminated by Local Host
0x17	Repeated Attempts (An authentication or pairing attempt is made too soon after a previously failed authentication or pairing attempt.)
0x18	Pairing Not Allowed
0x19	Unknown LMP PDU
0x1A	Unsupported LMP Feature
0x1B	SCO Offset Rejected
0x1C	SCO Interval Rejected
0x1D	SCO Air Mode Rejected
0x1E	Invalid LMP Parameters
0x1F	Unspecified Error
0x20	Unsupported parameter value
0x21	Switch not allowed
0x23	LMP Error Transaction Collision
0x24	PDU not allowed

Table 5.4: List of error reasons.

## 5.2 DEFAULT VALUES

The Bluetooth device must use these values before anything else has been negotiated:

Parameter	Value
drift	250
jitter	10
max slots	1
poll interval	40

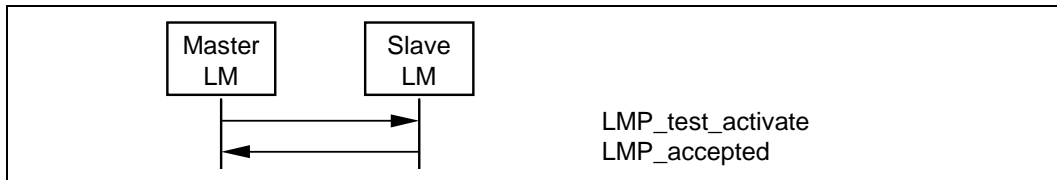
*Table 5.5: Default values.*

## 6 TEST MODES

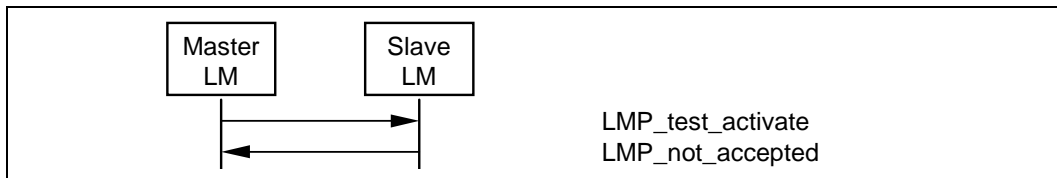
LMP has PDUs to support different Bluetooth test modes, which are used for certification and compliance testing of the Bluetooth radio and baseband. See [“Bluetooth Test Mode” on page 803](#) for a detailed description of these test modes.

### 6.1 ACTIVATION AND DEACTIVATION OF TEST MODE

The test mode is activated by sending LMP\_test\_activate to the device under test (DUT). The DUT is always the slave. The link manager must be able to receive this message anytime. If entering test mode is locally enabled in the DUT it responds with LMP\_accepted and test mode is entered. Otherwise the DUT responds with LMP\_not\_accepted and the DUT remains in normal operation. The reason code in LMP\_not\_accepted shall be *PDU not allowed*.



Sequence 60: Activation of test mode successful.

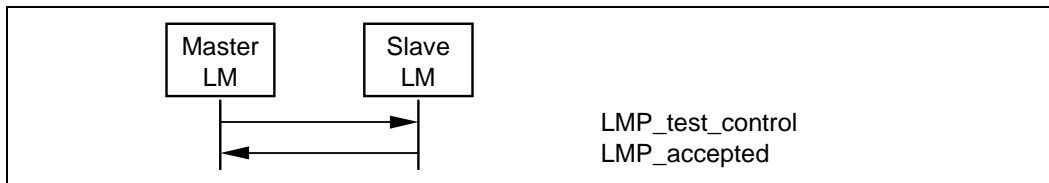


Sequence 61: Activation of test mode fails. Slave is not allowed to enter test mode.

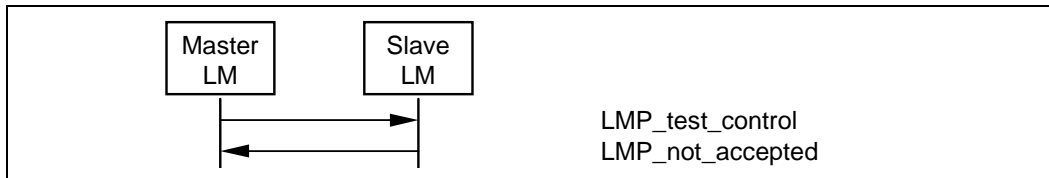
The test mode can be deactivated in two ways. Sending LMP\_test\_control with the test scenario set to "exit test mode" exits the test mode and the slave returns to normal operation still connected to the master. Sending LMP\_detach to the DUT ends the test mode and the connection.

### 6.2 CONTROL OF TEST MODE

When the DUT has entered test mode, the PDU LMP\_test\_control can be sent to the DUT to start a specific test. This PDU is acknowledged with LMP\_accepted. If a device that is not in test mode receives LMP\_test\_control it responds with LMP\_not\_accepted, where the reason code shall be *PDU not allowed*.



Sequence 62: Control of test mode successful.



Sequence 63: Control of test mode rejected since slave is not in test mode.

### 6.3 SUMMARY OF TEST MODE PDUs

The PDUs used for test purposes are summarized in the following table. For a detailed description of the parameters, see [Bluetooth Test Mode Table 3.2 on page 817](#).

M/O	LMP PDU	Length	op code	Packet type	Possible direction	Contents	Position in payload
M	LMP_test_activate	1	56	DM1/DV	m → s	-	
M	LMP_test_control	10	57	DM1	m → s	test scenario hopping mode TX frequency RX frequency power control mode poll period packet type length of test data	2 3 4 5 6 7 8 9-10

Table 6.1: Test mode PDUs.

## 7 ERROR HANDLING

---

If the Link Manager receives a PDU with unrecognized opcode, it responds with `LMP_not_accepted` with the reason code *unknown LMP PDU*. The opcode parameter that is echoed back is the unrecognized opcode.

If the Link Manager receives a PDU with invalid parameters, it responds with `LMP_not_accepted` with the reason code *invalid LMP parameters*.

If the maximum response time, see [Section 1 on page 191](#), is exceeded or if a link loss is detected (see [Baseband Specification Section 10.11, on page 126](#)), the party that waits for the response shall conclude that the procedure has terminated unsuccessfully.

Erroneous LMP messages can be caused by errors on the channel or systematic errors at the transmit side. To detect the latter case, the LM should monitor the number of erroneous messages and disconnect if it exceeds a threshold, which is implementation-dependent.

Since LMP PDUs are not interpreted in real time, collision situations can occur where both LMs initiate the same procedure and both cannot be completed. In this situation, the master shall reject the slave-initiated procedure by sending `LMP_not_accepted` with the reason code 'LMP Error Transaction Collision'. The master-initiated procedure shall then be completed.





## 8 LIST OF FIGURES

<b>Figure 1.1:</b>	Link Manager's place on the global scene.....	191
<b>Figure 2.1:</b>	Payload body when LM PDUs are sent. ....	192
<b>Figure 3.1:</b>	Symbols used in sequence diagrams. ....	193
Sequence 1:	Authentication. Claimant has link key. ....	194
Sequence 2:	Authentication fails. Claimant has no link key. ....	194
Sequence 3:	Claimant accepts pairing. ....	195
Sequence 4:	Claimant accepts pairing but requests to be verifier. ....	196
Sequence 5:	Unsuccessful switch of claimant-verifier role. ....	196
Sequence 6:	Claimant rejects pairing. ....	196
Sequence 7:	Creation of the link key. ....	197
Sequence 8:	Successful change of the link key. ....	197
Sequence 9:	Change of the link key not possible since the other unit uses a unit key. ....	198
Sequence 10:	Change to a temporary link key. ....	199
Sequence 11:	Link key changed to the semi-permanent link key. ....	199
Sequence 12:	Negotiation for encryption mode. ....	200
Sequence 13:	Encryption key size negotiation successful. ....	200
Sequence 14:	Encryption key size negotiation failed. ....	201
Sequence 15:	Start of encryption. ....	201
Sequence 16:	Stop of encryption. ....	202
Sequence 17:	Clock offset requested. ....	203
Sequence 18:	Slot offset information is sent. ....	203
Sequence 19:	The requested device supports timing accuracy information. ....	204
Sequence 20:	The requested device does not support timing accuracy information. ....	204
Sequence 21:	Request for LMP version. ....	205
Sequence 22:	Request for supported features. ....	206
Sequence 23:	Master-slave switch accepted. ....	206
Sequence 24:	Master-slave switch not accepted. ....	207
Sequence 25:	Device's name requested and it responds. ....	207
Sequence 26:	Connection closed by sending LMP_detach. ....	208
Sequence 27:	Master forces slave into hold mode. ....	208
Sequence 28:	Slave forces master into hold mode. ....	209
Sequence 29:	Negotiation for hold mode. ....	209
Sequence 30:	Master forces slave into sniff mode. ....	210
Sequence 31:	Negotiation for sniff mode. ....	210
Sequence 32:	Slave moved from sniff mode to active mode. ....	211
Sequence 33:	Slave forced into park mode. ....	213
Sequence 34:	Slave accepts to be placed in park mode. ....	213

Sequence 35: Slave rejects to be placed in park mode. .... 213

Sequence 36: Master accepts and places slave in park mode. .... 214

Sequence 37: Master rejects to place slave in park mode. .... 214

Sequence 38: Master notifies all slaves of increase in broadcast capacity. .... 214

Sequence 39: Master modifies beacon parameters. .... 214

Sequence 40: Master un parks slaves addressed with their BD\_ADDR. ... 215

Sequence 41: Master un parks slaves addressed with their PM\_ADDR. ... 215

Sequence 42: A device requests a change of the other device's TX power. .... 216

Sequence 43: The TX power cannot be increased. .... 216

Sequence 44: The TX power cannot be decreased. .... 216

Sequence 45: The left-hand unit is configured to automatically change between DM and DH. .... 217

Sequence 46: The right-hand device orders the left-hand device to change data rate. .... 217

Sequence 47: Master notifies slave of new quality of service. .... 218

Sequence 48: Device accepts new quality of service .... 219

Sequence 49: Device rejects new quality of service. .... 219

Sequence 50: Master requests an SCO link. .... 220

Sequence 51: Master rejects slave's request for an SCO link. .... 220

Sequence 52: Master accepts slave's request for an SCO link. .... 221

Sequence 53: SCO link removed. .... 221

Sequence 54: Master allows slave to use a maximal number of slots. .... 222

Sequence 55: Slave requests to use a maximal number of slots. Master accepts. .... 222

Sequence 56: Slave requests to use a maximal number of slots. Master rejects. .... 222

Sequence 57: Negotiation for page mode. .... 223

Sequence 58: Negotiation for page scan mode .... 223

Sequence 59: Setting the link supervision timeout. .... 224

**Figure 4.1:** Connection establishment. .... 225

Sequence 60: Activation of test mode successful. .... 237

Sequence 61: Activation of test mode fails. Slave is not allowed to enter test mode. .... 237

Sequence 62: Control of test mode successful. .... 238

Sequence 63: Control of test mode rejected since slave is not in test mode. .... 238

**9 LIST OF TABLES**

Table 2.1:	Logical channel L_CH field contents.....	192
Table 3.1:	General response messages. ....	193
Table 3.2:	PDU's used for authentication. ....	194
Table 3.3:	PDU's used for pairing. ....	195
Table 3.4:	PDU's used for change of link key. ....	197
Table 3.5:	PDU's used to change the current link key. ....	198
Table 3.6:	PDU's used for handling encryption.....	199
Table 3.7:	PDU's used for clock offset request.....	202
Table 3.8:	PDU used for slot offset information. ....	203
Table 3.9:	PDU's used for requesting timing accuracy information. ....	204
Table 3.10:	PDU's used for LMP version request.....	205
Table 3.11:	PDU's used for features request.....	206
Table 3.12:	PDU used for master slave switch. ....	206
Table 3.13:	PDU's used for name request.....	207
Table 3.14:	PDU used for detach.....	207
Table 3.15:	PDU's used for hold mode.....	208
Table 3.16:	PDU's used for sniff mode. ....	210
Table 3.17:	PDU's used for park mode.....	212
Table 3.18:	PDU's used for power control. ....	216
Table 3.19:	PDU's used for quality driven change of the data rate.....	217
Table 3.20:	PDU's used for quality of service.....	218
Table 3.21:	PDU's used for managing the SCO links. ....	219
Table 3.22:	PDU's used to control the use of multi-slot packets.....	222
Table 3.23:	PDU's used to request paging scheme.....	223
Table 3.24:	PDU used to set the supervision timeout.....	224
Table 4.1:	PDU's used for connection establishment. ....	225
Table 5.1:	Coding of the different LM PDU's. ....	226
Table 5.2:	Parameters in LM PDU's. ....	231
Table 5.3:	Coding of the parameter features. ....	234
Table 5.4:	List of error reasons. ....	235
Table 5.5:	Default values. ....	236
Table 6.1:	Test mode PDU's. ....	238



## Part D

# **LOGICAL LINK CONTROL AND ADAPTATION PROTOCOL SPECIFICATION**

**This document describes the Bluetooth logical link control and adaptation protocol (L2CAP). This protocol supports higher level protocol multiplexing, packet segmentation and reassembly, and the conveying of quality of service information. This document is part of the Bluetooth Specification. This document describes the protocol state machine, packet format and composition, and a test interface required for the Bluetooth test and certification program.**



**CONTENTS**

<b>1</b>	<b>Introduction .....</b>	<b>249</b>
1.1	L2CAP Functional Requirements.....	250
1.2	Assumptions .....	252
1.3	Scope .....	252
<b>2</b>	<b>General Operation .....</b>	<b>253</b>
2.1	Channel Identifiers .....	253
2.2	Operation Between Devices.....	253
2.3	Operation Between Layers.....	254
2.4	Segmentation and Reassembly .....	255
2.4.1	Segmentation Procedures.....	256
2.4.2	Reassembly Procedures .....	256
<b>3</b>	<b>State Machine .....</b>	<b>258</b>
3.1	Events .....	259
3.1.1	Lower-Layer Protocol (LP) to L2CAP events .....	259
3.1.2	L2CAP to L2CAP Signalling events .....	260
3.1.3	L2CAP to L2CAP Data events .....	261
3.1.4	Upper-Layer to L2CAP events .....	261
3.1.5	Timer events.....	262
3.2	Actions .....	263
3.2.1	L2CAP to Lower Layer actions.....	263
3.2.2	L2CAP to L2CAP Signalling actions.....	264
3.2.3	L2CAP to L2CAP Data actions.....	264
3.2.4	L2CAP to Upper Layer actions.....	264
3.3	Channel Operational States .....	265
3.4	Mapping Events to Actions.....	266
<b>4</b>	<b>Data Packet Format.....</b>	<b>272</b>
4.1	Connection-oriented Channel .....	272
4.2	Connectionless Data Channel.....	273
<b>5</b>	<b>Signlling .....</b>	<b>275</b>
5.1	Command Reject (code 0x01) .....	277
5.2	Connection Request (code 0x02).....	278
5.3	Connection Response (code 0x03).....	279
5.4	Configuration Request (code 0x04) .....	280
5.5	Configure Response (code 0x05) .....	283
5.6	Disconnection Request (code 0x06).....	285
5.7	Disconnection Response (code 0x07) .....	286
5.8	Echo Request (code 0x08).....	286
5.9	Echo Response (code 0x09).....	287
5.10	Information Request (CODE 0x0A).....	287
5.11	Information Response (CODE 0x0B) .....	288

<b>6</b>	<b>Configuration Parameter Options</b> .....	<b>289</b>
6.1	Maximum Transmission Unit (MTU) .....	289
6.2	Flush Timeout Option.....	290
6.3	Quality of Service (QoS) Option .....	291
6.4	Configuration Process .....	293
6.4.1	Request Path .....	293
6.4.2	Response Path .....	294
6.4.3	Configuration State Machine.....	294
<b>7</b>	<b>Service Primitives</b> .....	<b>295</b>
7.1	Event Indication .....	295
7.1.1	L2CA_ConnectInd Callback.....	296
7.1.2	L2CA_ConfigInd Callback.....	296
7.1.3	L2CA_DisconnectInd Callback.....	296
7.1.4	L2CA_QoSViolationInd Callback .....	296
7.2	Connect .....	296
7.3	Connect Response .....	298
7.4	Configure .....	299
7.5	Configuration Response .....	301
7.6	Disconnect .....	302
7.7	Write.....	303
7.8	Read .....	304
7.9	Group Create .....	305
7.10	Group Close .....	305
7.11	Group Add Member .....	306
7.12	Group Remove Member .....	307
7.13	Get Group Membership .....	308
7.14	Ping .....	309
7.15	GetInfo .....	310
7.16	Disable Connectionless Traffic .....	311
7.17	Enable Connectionless Traffic .....	312
<b>8</b>	<b>Summary</b> .....	<b>313</b>
<b>9</b>	<b>References</b> .....	<b>314</b>
<b>10</b>	<b>List of Figures</b> .....	<b>315</b>
<b>11</b>	<b>List of Tables</b> .....	<b>316</b>
	<b>Terms and Abbreviations</b> .....	<b>317</b>
	<b>Appendix A: Configuration MSCs</b> .....	<b>318</b>
	<b>Appendix B: Implementation Guidelines</b> .....	<b>321</b>



# 1 INTRODUCTION

This section of the Bluetooth Specification defines the Logical Link Control and Adaptation Layer Protocol, referred to as L2CAP. L2CAP is layered over the Baseband Protocol and resides in the data link layer as shown in [Figure 1.1](#). L2CAP provides connection-oriented and connectionless data services to upper layer protocols with protocol multiplexing capability, segmentation and reassembly operation, and group abstractions. L2CAP permits higher level protocols and applications to transmit and receive L2CAP data packets up to 64 kilobytes in length.

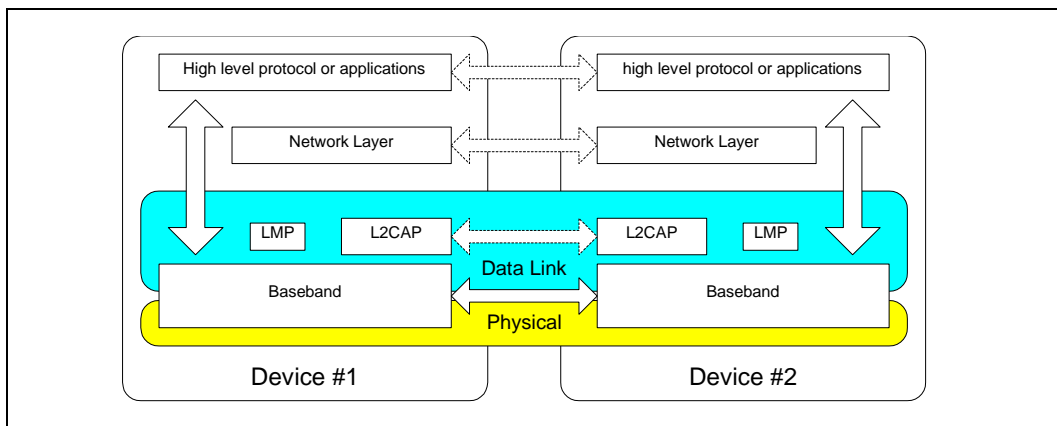


Figure 1.1: L2CAP within protocol layers

The “[Baseband Specification](#)” on [page 33](#) defines two link types: Synchronous Connection-Oriented (SCO) links and Asynchronous Connection-Less (ACL) links. SCO links support real-time voice traffic using reserved bandwidth. ACL links support best effort traffic. The L2CAP Specification is defined for only ACL links and no support for SCO links is planned.

For ACL links, use of the AUX1 packet on the ACL link is prohibited. This packet type supports no data integrity checks (no CRC). Because L2CAP depends on integrity checks in the Baseband to protect the transmitted information, AUX1 packets must never be used to transport L2CAP packets.

The format of the ACL payload header is shown below. [Figure 1.2](#) on [page 250](#) displays the payload header used for single-slot packets and [Figure 1.3](#) displays the header used in multi-slot packets. The only difference is the size of the length field. The packet type (a field in the Baseband header) distinguishes single-slot packets from multi-slot packets.

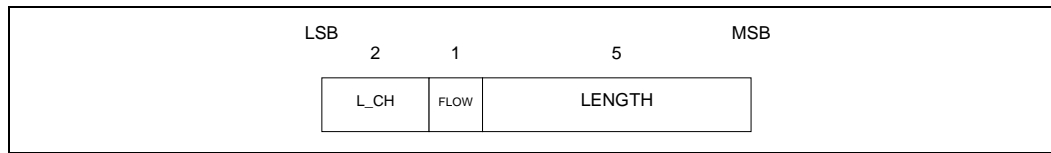


Figure 1.2: ACL Payload Header for single-slot packets

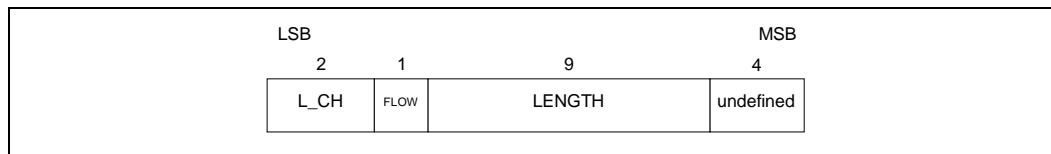


Figure 1.3: ACL Payload Header for multi-slot packets

The 2-bit logical channel (L\_CH) field, defined in [Table 1.1](#), distinguishes L2CAP packets from Link Manager Protocol ([page 185](#)) packets. The remaining code is reserved for future use.

L_CH code	Logical Channel	Information
00	RESERVED	Reserved for future use
01	L2CAP	Continuation of L2CAP packet
10	L2CAP	Start of L2CAP packet
11	LMP	Link Manager Protocol

Table 1.1: Logical channel L\_CH field contents

The FLOW bit in the ACL header is managed by the Link Controller (LC), a Baseband implementation entity, and is normally set to 1 ('flow on'). It is set to 0 ('flow off') when no further L2CAP traffic shall be sent over the ACL link. Sending an L2CAP packet with the FLOW bit set to 1 resumes the flow of incoming L2CAP packets. This is described in more detail in "[Baseband Specification](#)" [on page 33](#).

## 1.1 L2CAP FUNCTIONAL REQUIREMENTS

The functional requirements for L2CAP include protocol multiplexing, segmentation and reassembly (SAR), and group management. [Figure 1.4](#) illustrates how L2CAP fits into the Bluetooth Protocol Stack. L2CAP lies above the Baseband Protocol ([page 33](#)) and interfaces with other communication protocols such as the Bluetooth Service Discovery Protocol (SDP, [page 323](#)), RFCOMM ([page 385](#)), and Telephony Control (TCS, [page 429](#)). Voice-quality channels for audio and telephony applications are usually run over Baseband SCO links. Packetized audio data, such as IP Telephony, may be sent using communication protocols running over L2CAP.

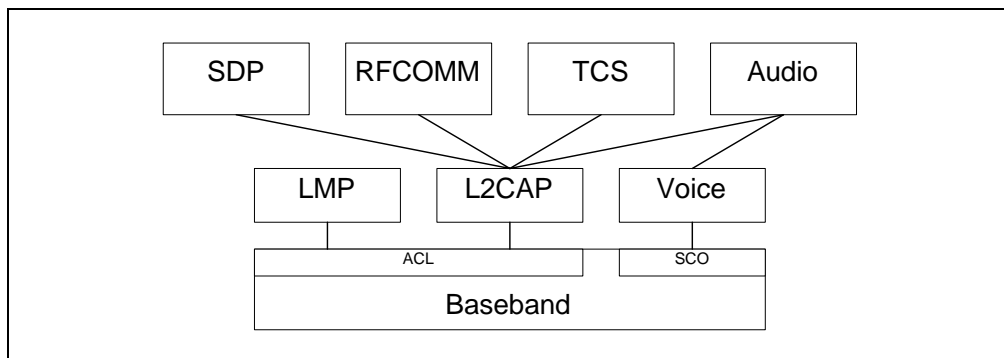


Figure 1.4: L2CAP in Bluetooth Protocol Architecture

Essential protocol requirements for L2CAP include simplicity and low overhead. Implementations of L2CAP must be applicable for devices with limited computational resources. L2CAP should not consume excessive power since that significantly sacrifices power efficiency achieved by the Bluetooth Radio. Memory requirements for protocol implementation should also be kept to a minimum.

The protocol complexity should be acceptable to personal computers, PDAs, digital cellular phones, wireless headsets, joysticks and other wireless devices supported by Bluetooth. Furthermore, the protocol should be designed to achieve reasonably high bandwidth efficiency.

- *Protocol Multiplexing*

L2CAP must support protocol multiplexing because the Baseband Protocol does not support any 'type' field identifying the higher layer protocol being multiplexed above it. L2CAP must be able to distinguish between upper layer protocols such as the Service Discovery Protocol ([page 323](#)), RFCOMM ([page 385](#)), and Telephony Control ([page 429](#)).

- *Segmentation and Reassembly*

Compared to other wired physical media, the data packets defined by the Baseband Protocol ([page 33](#)) are limited in size. Exporting a maximum transmission unit (MTU) associated with the largest Baseband payload (341 bytes for DH5 packets) limits the efficient use of bandwidth for higher layer protocols that are designed to use larger packets. Large L2CAP packets must be segmented into multiple smaller Baseband packets prior to their transmission over the air. Similarly, multiple received Baseband packets may be reassembled into a single larger L2CAP packet following a simple integrity check (described in [Section 2.4.2 on page 256](#)). The Segmentation and Reassembly (SAR) functionality is absolutely necessary to support protocols using packets larger than those supported by the Baseband.

- *Quality of Service*

The L2CAP connection establishment process allows the exchange of information regarding the quality of service (QoS) expected between two Blue-

tooth units. Each L2CAP implementation must monitor the resources used by the protocol and ensure that QoS contracts are honoured.

- *Groups*

Many protocols include the concept of a group of addresses. The Baseband Protocol supports the concept of a piconet, a group of devices synchronously hopping together using the same clock. The L2CAP group abstraction permits implementations to efficiently map protocol groups on to piconets. Without a group abstraction, higher level protocols would need to be exposed to the Baseband Protocol and Link Manager functionality in order to manage groups efficiently.

## 1.2 ASSUMPTIONS

The protocol is designed based on the following assumptions:

1. The ACL link between two units is set up using the Link Manager Protocol ([page 185](#)). The Baseband provides orderly delivery of data packets, although there might be individual packet corruption and duplicates. No more than 1 ACL link exists between any two devices.
2. The Baseband always provides the impression of full-duplex communication channels. This does not imply that all L2CAP communications are bi-directional. Multicasts and unidirectional traffic (e.g., video) do not require duplex channels.
3. L2CAP provides a reliable channel using the mechanisms available at the Baseband layer. The Baseband always performs data integrity checks when requested and resends data until it has been successfully acknowledged or a timeout occurs. Because acknowledgements may be lost, timeouts may occur even after the data has been successfully sent. The Baseband protocol uses a 1-bit sequence number that removes duplicates. Note that the use of Baseband broadcast packets is prohibited if reliability is required since all broadcasts start the first segment of an L2CAP packet with the same sequence bit.

## 1.3 SCOPE

The following features are outside the scope of L2CAP's responsibilities:

- L2CAP does not transport audio designated for SCO links.
- L2CAP does not enforce a reliable channel or ensure data integrity, that is, L2CAP performs no retransmissions or checksum calculations.
- L2CAP does not support a reliable multicast channel. See [Section 4.2](#).
- L2CAP does not support the concept of a global group name.

## 2 GENERAL OPERATION

The Logical Link Control and Adaptation Protocol (L2CAP) is based around the concept of 'channels'. Each one of the end-points of an L2CAP channel is referred to by a *channel identifier*.

### 2.1 CHANNEL IDENTIFIERS

Channel identifiers (CIDs) are local names representing a logical channel end-point on the device. Identifiers from 0x0001 to 0x003F are reserved for specific L2CAP functions. The null identifier (0x0000) is defined as an illegal identifier and must never be used as a destination end-point. Implementations are free to manage the remaining CIDs in a manner best suited for that particular implementation, with the provision that the same CID is not reused as a local L2CAP channel endpoint for multiple simultaneous L2CAP channels between a local device and some remote device. [Table 2.1](#) summarizes the definition and partitioning of the CID name space.

CID assignment is relative to a particular device and a device can assign CIDs independently from other devices (unless it needs to use any of the reserved CIDs shown in the table below). Thus, even if the same CID value has been assigned to (remote) channel endpoints by several remote devices connected to a single local device, the local device can still uniquely associate each remote CID with a different device.

CID	Description
0x0000	Null identifier
0x0001	Signalling channel
0x0002	Connectionless reception channel
0x0003-0x003F	Reserved
0x0040-0xFFFF	Dynamically allocated

Table 2.1: CID Definitions

### 2.2 OPERATION BETWEEN DEVICES

[Figure 2.1 on page 254](#) illustrates the use of CIDs in a communication between corresponding peer L2CAP entities in separate devices. The connection-oriented data channels represent a connection between two devices, where a CID identifies each endpoint of the channel. The connectionless channels restrict data flow to a single direction. These channels are used to support a channel 'group' where the CID on the source represents one or more remote devices. There are also a number of CIDs reserved for special purposes. The signalling channel is one example of a reserved channel. This channel is used to create and establish connection-oriented data channels and to negotiate changes in the characteristics of these channels. Support for a signalling chan-

nel within an L2CAP entity is mandatory. Another CID is reserved for all incoming connectionless data traffic. In the example below, a CID is used to represent a group consisting of device #3 and #4. Traffic sent from this channel ID is directed to the remote channel reserved for connectionless data traffic.

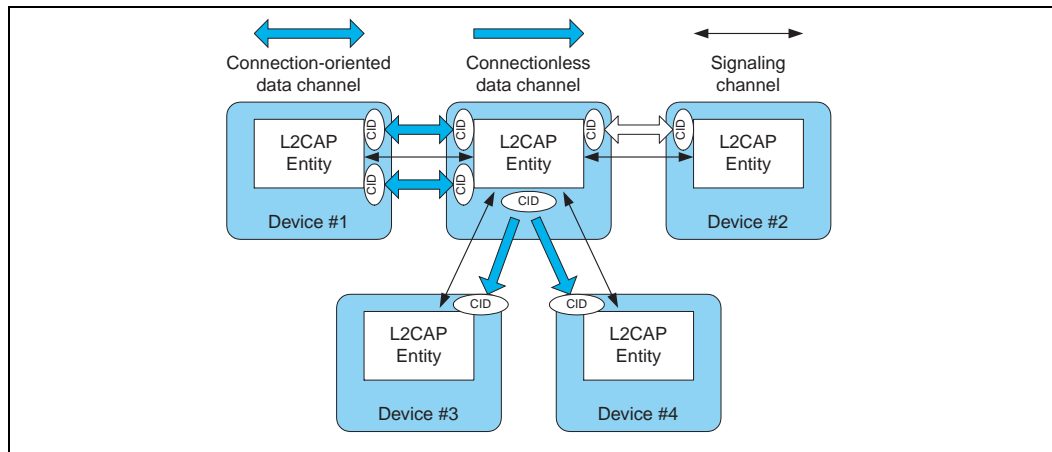


Figure 2.1: Channels between devices

Table 2.2 describes the various channels and their source and destination identifiers. An 'allocated' channel is created to represent the local endpoint and should be in the range 0x0040 to 0xFFFF. Section 3 on page 258 describes the state machine associated with each connectionless channel. Section 4.1 on page 272 describes the packet format associated with bi-directional channels and Section 4.2 on page 273 describes the packet format associated with uni-directional channels.

Channel Type	Local CID	Remote CID
Connection-oriented	Dynamically allocated	Dynamically allocated
Connectionless data	Dynamically allocated	0x0002 (fixed)
Signalling	0x0001 (fixed)	0x0001 (fixed)

Table 2.2: Types of Channel Identifiers

### 2.3 OPERATION BETWEEN LAYERS

L2CAP implementations should follow the general architecture described below. L2CAP implementations must transfer data between higher layer protocols and the lower layer protocol. This document lists a number of services that should be exported by any L2CAP implementation. Each implementation must also support a set of signalling commands for use between L2CAP implementations. L2CAP implementations should also be prepared to accept certain types of events from lower layers and generate events to upper layers. How these events are passed between layers is an implementation-dependent process.

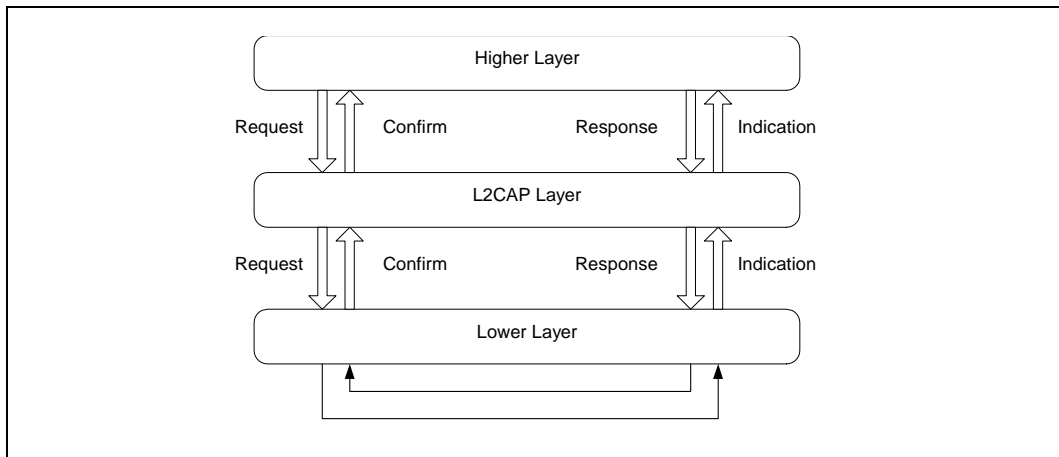


Figure 2.2: L2CAP Architecture

## 2.4 SEGMENTATION AND REASSEMBLY

Segmentation and reassembly (SAR) operations are used to improve efficiency by supporting a maximum transmission unit (MTU) size larger than the largest Baseband packet. This reduces overhead by spreading the network and transport packets used by higher layer protocols over several Baseband packets. All L2CAP packets may be segmented for transfer over Baseband packets. The protocol does not perform any segmentation and reassembly operations but the packet format supports adaptation to smaller physical frame sizes. An L2CAP implementation exposes the outgoing (i.e., the remote host's receiving) MTU and segments higher layer packets into 'chunks' that can be passed to the Link Manager via the Host Controller Interface (HCI), whenever one exists. On the receiving side, an L2CAP implementation receives 'chunks' from the HCI and reassembles those chunks into L2CAP packets using information provided through the HCI and from the packet header.

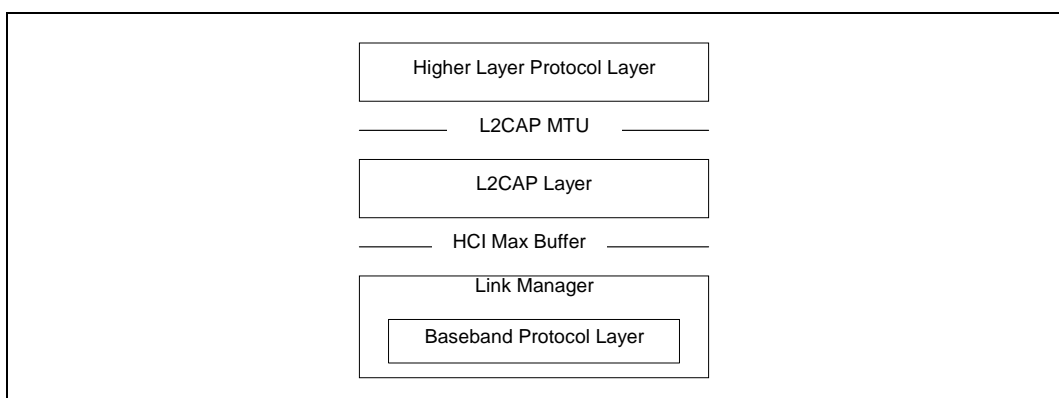


Figure 2.3: L2CAP SAR Variables

Segmentation and Reassembly is implemented using very little overhead in Baseband packets. The two L\_CH bits defined in the first byte of Baseband

payload (also called the frame header) are used to signal the start and continuation of L2CAP packets. L\_CH shall be '10' for the first segment in an L2CAP packet and '01' for a continuation segment. An example use of SAR is shown in [Figure 2.4](#).

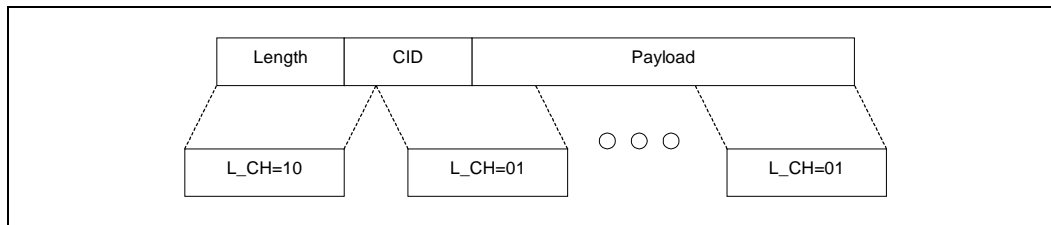


Figure 2.4: L2CAP segmentation

### 2.4.1 Segmentation Procedures

The L2CAP maximum transmission unit (MTU) will be exported using an implementation specific service interface. It is the responsibility of the higher layer protocol to limit the size of packets sent to the L2CAP layer below the MTU limit. An L2CAP implementation will segment the packet into protocol data units (PDUs) to send to the lower layer. If L2CAP runs directly over the Baseband Protocol, an implementation may segment the packet into Baseband packets for transmission over the air. If L2CAP runs above the host controller interface (typical scenario), an implementation may send block-sized chunks to the host controller where they will be converted into Baseband packets. All L2CAP segments associated with an L2CAP packet must be passed through to the Baseband before any other L2CAP packet destined to the same unit may be sent.

### 2.4.2 Reassembly Procedures

The Baseband Protocol delivers ACL packets in sequence and protects the integrity of the data using a 16-bit CRC. The Baseband also supports reliable connections using an automatic repeat request (ARQ) mechanism. As the Baseband controller receives ACL packets, it either signals the L2CAP layer on the arrival of each Baseband packets, or accumulates a number of packets before the receive buffer fills up or a timer expires before signalling the L2CAP layer.

L2CAP implementations must use the length field in the header of L2CAP packets, see [Section 4 on page 272](#), as a consistency check and discard any L2CAP packets that fail to match the length field. If channel reliability is not needed, packets with improper lengths may be silently discarded. For reliable channels, L2CAP implementations must indicate to the upper layer that the channel has become unreliable. Reliable channels are defined by having an infinite flush timeout value as specified in [Section 6.2 on page 290](#).

[Figure 2.5 on page 257](#) illustrates the use of segmentation and reassembly operations to transmit a single higher layer PDU. Note that while there is a one-to-one mapping between a high layer PDU and an L2CAP packet, the segment



size used by the segmentation and reassembly routines is left to the implementation and may differ from the sender to the receiver.

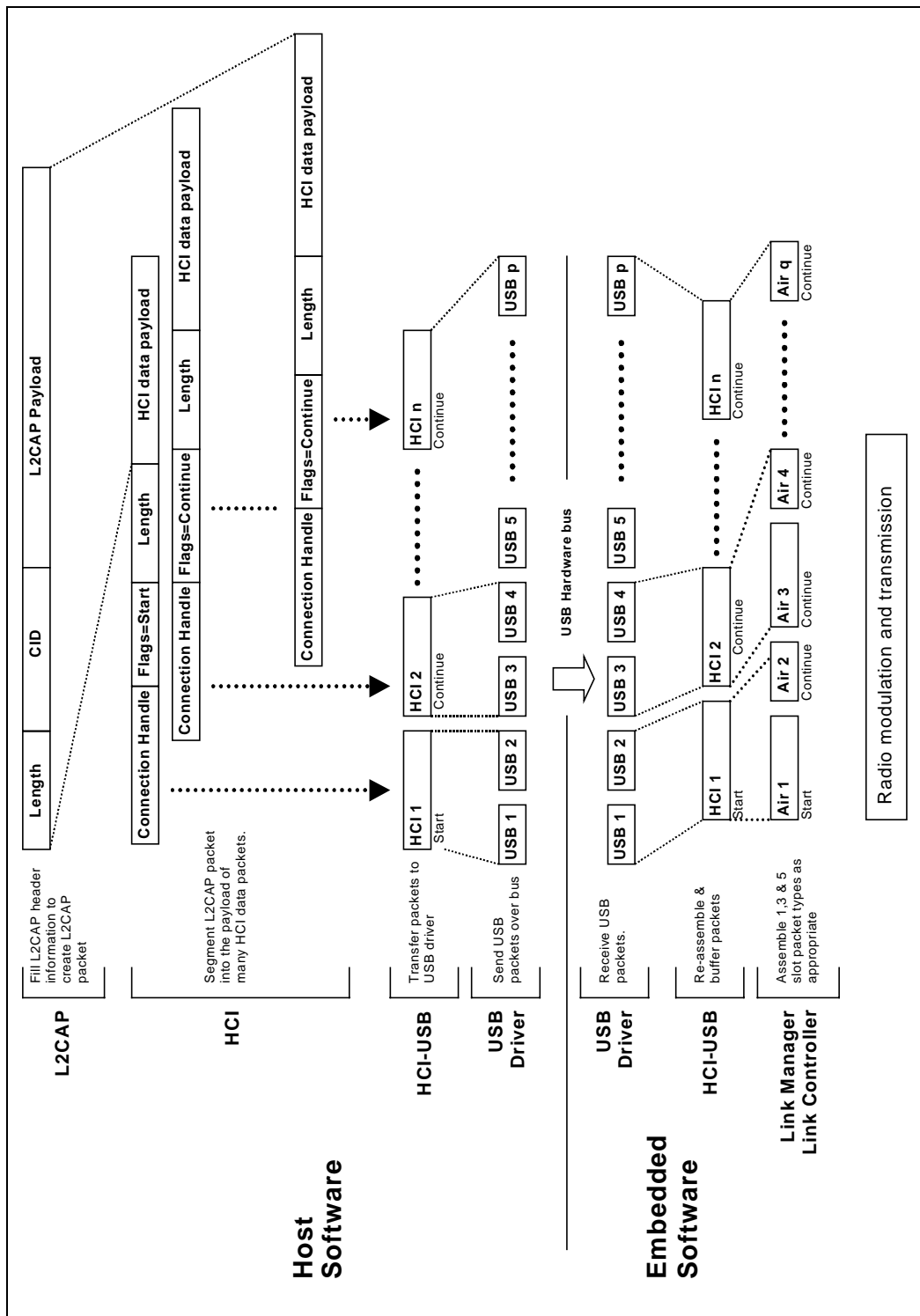


Figure 2.5: Segmentation and Reassembly Services in a unit with an HCI<sup>1</sup>

### 3 STATE MACHINE

This section describes the L2CAP connection-oriented channel state machine. The section defines the states, the events causing state transitions, and the actions to be performed in response to events. This state machine is only pertinent to bi-directional CIDs and is not representative of the signalling channel or the uni-directional channel.

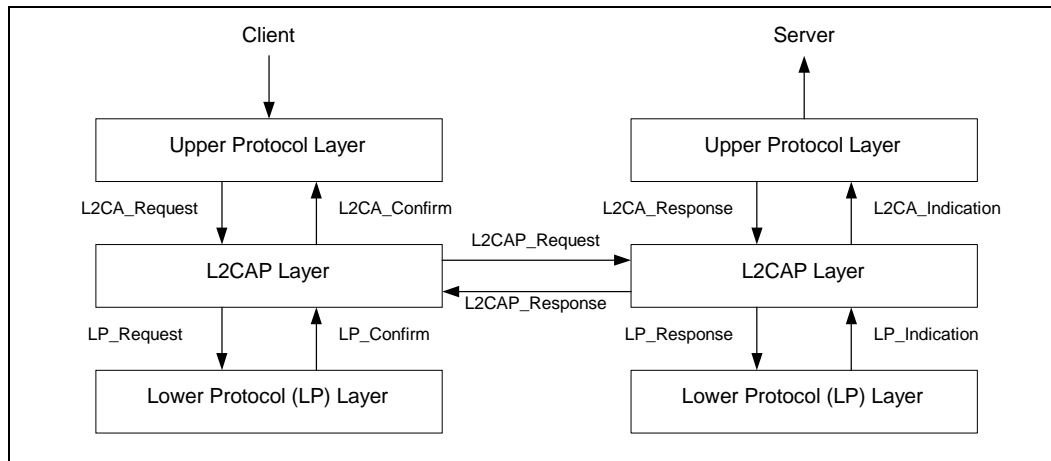


Figure 3.1: L2CAP Layer Interactions

Figure 3.1 illustrates the events and actions performed by an implementation of the L2CAP layer. Client and Server simply represent the initiator of the request and the acceptor of the request respectively. An application-level Client would both initiate and accept requests. The naming convention is as follows. The interface between two layers (vertical interface) uses the prefix of the lower layer offering the service to the higher layer, e.g., L2CA. The interface between two entities of the same layer (horizontal interface) uses the prefix of the protocol (adding a P to the layer identification), e.g., L2CAP. Events coming from above are called Requests (Req) and the corresponding replies are called Confirms (Cfm). Events coming from below are called Indications (Ind) and the corresponding replies are called Responses (Rsp). Responses requiring further processing are called Pending (Pnd). The notation for Confirms and Responses assumes positive replies. Negative replies are denoted by a 'Neg' suffix such as L2CAP\_ConnectCfmNeg.

While Requests for an action always result in a corresponding Confirmation (for the successful or unsuccessful satisfaction of the action), Indications do not always result into corresponding Responses. The latter is especially true, if the Indications are informative about locally triggered events, e.g., seeing the

1. For simplicity, the stripping of any additional HCI and USB specific information fields prior to the creation of the baseband packets (Air\_1, Air\_2, etc.) is not shown in the figure.

*LP\_QoSViolationInd* in [Section 3.1.1 on page 259](#), or *L2CA\_TimeOutInd* in [Section 3.2.4 on page 264](#).

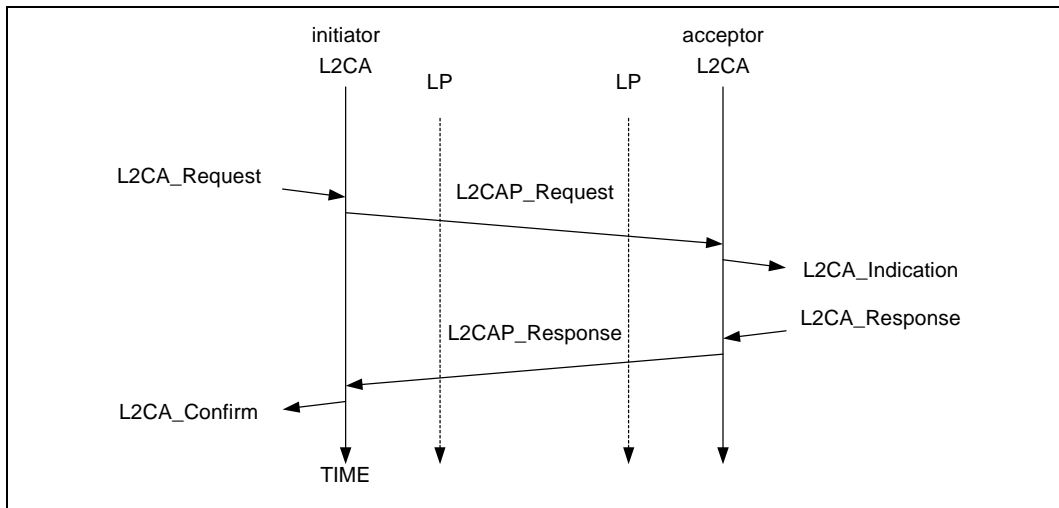


Figure 3.2: MSC of Layer Interactions

Figure 3.2 uses a message sequence chart (MSC) to illustrate the normal sequence of events. The two outer vertical lines represent the L2CA interface on the initiator (the device issuing a request) and the acceptor (the device responding to the initiator’s request). Request commands at the L2CA interface result in Requests defined by the protocol. When the protocol communicates the request to the acceptor, the remote L2CA entity presents the upper protocol with an Indication. When the acceptor’s upper protocol responds, the response is packaged by the protocol and communicated back to initiator. The result is passed back to the initiator’s upper protocol using a Confirm message.

### 3.1 EVENTS

Events are all incoming messages to the L2CA layer along with timeouts. Events are partitioned into five categories: Indications and Confirms from lower layers, Requests and Responses from higher layers, data from peers, signal Requests and Responses from peers, and events caused by timer expirations.

#### 3.1.1 Lower-Layer Protocol (LP) to L2CAP events

- *LP\_ConnectCfm*  
Confirms the request (see *LP\_ConnectReq* in [Section 3.2.1](#)) to establish a lower layer (Baseband) connection. This includes passing the authentication challenge if authentication is required to establish the physical link.
- *LP\_ConnectCfmNeg*  
Confirms the failure of the request (see *LP\_ConnectReq* in [Section 3.2.1](#)) to establish a lower layer (Baseband) connection failed. This could be because

the device could not be contacted, refused the request, or the LMP authentication challenge failed.

- *LP\_ConnectInd*

Indicates the lower protocol has successfully established connection. In the case of the Baseband, this will be an ACL link. An L2CAP entity may use this information to keep track of what physical links exist.

- *LP\_DisconnectInd*

Indicates the lower protocol (Baseband) has been shut down by LMP commands or a timeout event.

- *LP\_QoSConf*

Confirms the request (see *LP\_QoSReq* in [Section 3.2.1](#)) for a given quality of service.

- *LP\_QoSConfNeg*

Confirms the failure of the request (see *LP\_QoSReq* in [Section 3.2.1](#)) for a given quality of service.

- *LP\_QoSViolationInd*

Indicates the lower protocol has detected a violation of the QoS agreement specified in the previous *LP\_QoSReq* (see [Section 3.2.1](#)).

### 3.1.2 L2CAP to L2CAP Signalling events

L2CAP to L2CAP signalling events are generated by each L2CAP entity following the exchange of the corresponding L2CAP signalling PDUs, see [Section 5](#). L2CAP signalling PDUs, like any other L2CAP PDUs, are received from a lower layer via a lower protocol indication event. For simplicity of the presentation, we avoid a detailed description of this process, and we assume that signalling events are exchanged directly between the L2CAP peer entities as shown in [Figure 3.1 on page 258](#).

- *L2CAP\_ConnectReq*

A Connection Request packet has been received.

- *L2CAP\_ConnectRsp*

A Connection Response packet has been received with a positive result indicating that the connection has been established.

- *L2CAP\_ConnectRspPnd*

A Connection Response packet has been received indicating the remote endpoint has received the request and is processing it.

- *L2CAP\_ConnectRspNeg*

A Connection Response packet has been received, indicating that the connection could not be established.

- *L2CAP\_ConfigReq*

A Configuration Request packet has been received indicating the remote endpoint wishes to engage in negotiations concerning channel parameters.

- *L2CAP\_ConfigRsp*

A Configuration Response packet has been received indicating the remote endpoint agrees with all the parameters being negotiated.

- *L2CAP\_ConfigRspNeg*

A Configuration Response packet has been received indicating the remote endpoint does not agree to the parameters received in the response packet.

- *L2CAP\_DisconnectReq*

A Disconnection Request packet has been received and the channel must initiate the disconnection process. Following the completion of an L2CAP channel disconnection process, an L2CAP entity should return the corresponding local CID to the pool of 'unassigned' CIDs.

- *L2CAP\_DisconnectRsp*

A Disconnection Response packet has been received. Following the receipt of this signal, the receiving L2CAP entity may return the corresponding local CID to the pool of unassigned CIDs. There is no corresponding negative response because the Disconnect Request must succeed.

### 3.1.3 L2CAP to L2CAP Data events

- *L2CAP\_Data*

A Data packet has been received.

### 3.1.4 Upper-Layer to L2CAP events

- *L2CA\_ConnectReq*

Request from upper layer for the creation of a channel to a remote device.

- *L2CA\_ConnectRsp*

Response from upper layer to the indication of a connection request from a remote device (see *L2CA\_ConnectInd* in [Section 3.2.4](#)).

- *L2CA\_ConnectRspNeg*

Negative response (rejection) from upper layer to the indication of a connection request from a remote device (see *L2CA\_ConnectInd* in [Section 3.2.4](#)).

- *L2CA\_ConfigReq*

Request from upper layer to (re)configure the channel.

- *L2CA\_ConfigRsp*

Response from upper layer to the indication of a (re) configuration request (see *L2CA\_ConfigInd* in [Section 3.2.4](#)).

- *L2CA\_ConfigRspNeg*

A negative response from upper layer to the indication of a (re) configuration request (see *L2CA\_ConfigInd* in [Section 3.2.4](#)).

- *L2CA\_DisconnectReq*  
Request from upper layer for the immediate disconnection of a channel.
- *L2CA\_DisconnectRsp*  
Response from upper layer to the indication of a disconnection request (see *L2CA\_DisconnectInd* in [Section 3.2.4](#)). There is no corresponding negative response, the disconnect indication must always be accepted.
- *L2CA\_DataRead*  
Request from upper layer for the transfer of received data from L2CAP entity to upper layer.
- *L2CA\_DataWrite*  
Request from upper layer for the transfer of data from the upper layer to L2CAP entity for transmission over an open channel.

### 3.1.5 Timer events

- *RTX*

The Response Timeout eXpired (RTX) timer is used to terminate the channel when the remote endpoint is unresponsive to signalling requests. This timer is started when a signalling request (see [Section 5 on page 275](#)) is sent to the remote device. This timer is disabled when the response is received. If the initial timer expires, a duplicate Request message may be sent or the channel identified in the request may be disconnected. If a duplicate Request message is sent, the RTX timeout value must be reset to a new value at least double the previous value.

Implementations have the responsibility to decide on the maximum number of Request retransmissions performed at the L2CAP level before disconnecting the channel. The decision should be based on the flush timeout of the signalling link. The longer the flush timeout, the more retransmissions may be performed at the physical layer and the reliability of the channel improves, requiring fewer retransmissions at the L2CAP level. For example, if the flush timeout is infinite, no retransmissions should be performed at the L2CAP level.

The value of this timer is implementation-dependent but the minimum initial value is 1 second and the maximum initial value is 60 seconds. One RTX timer MUST exist for each outstanding signalling request, including each Echo Request. The timer disappears on the final expiration, when the response is received, or the physical link is lost. The maximum elapsed time between the initial start of this timer and the initiation of channel disconnection (if no response is received) is 60 seconds.

- *ERTX*

The Extended Response Timeout eXpired (ERTX) timer is used in place of the RTX timer when it is suspected the remote endpoint is performing addi-

tional processing of a request signal. This timer is started when the remote endpoint responds that a request is pending, e.g., when an *L2CAP\_ConnectRspPnd* event is received. This timer is disabled when the formal response is received or the physical link is lost. If the initial timer expires, a duplicate Request may be sent or the channel may be disconnected. If a duplicate Request is sent, the particular ERTX timer disappears, replaced by a new RTX timer and the whole timing procedure restarts as described previously for the RTX timer.

The value of this timer is implementation-dependent but the minimum initial value is 60 seconds and the maximum initial value is 300 seconds. Similar to RTX, there MUST be at least one ERTX timer for each outstanding request that received a Pending response. There should be at most one (RTX or ERTX) associated with each outstanding request. The maximum elapsed time between the initial start of this timer and the initiation of channel disconnection (if no response is received) is 300 seconds.

## 3.2 ACTIONS

Actions are partitioned into five categories: Confirms and Indications to higher layers, Request and Responses to lower layers, Requests and Responses to peers, data transmission to peers, and setting timers.

### 3.2.1 L2CAP to Lower Layer actions

- *LP\_ConnectReq*

L2CAP requests the lower protocol to create a connection. If a physical link to the remote device does not exist, this message must be sent to the lower protocol to establish the physical connection. Since no more than a single ACL link between two devices is assumed, see [Section 1.2 on page 252](#), additional L2CAP channels between these two devices must share the same baseband ACL link.

Following the processing of the request, the lower layer returns with an *LP\_ConnectCfm* or an *LP\_ConnectCfmNeg* to indicate whether the request has been satisfied or not, respectively.

- *LP\_QoSReq*

L2CAP requests the lower protocol to accommodate a particular QoS parameter set. Following the processing of the request, the lower layer returns with an *LP\_QoS Cfm* or an *LP\_QoS CfmNeg* to indicate whether the request has been satisfied or not, respectively

- *LP\_ConnectRsp*

A positive response accepting the previous connection indication request (see *LP\_ConnectInd* in [Section 3.1.1](#)).

- *LP\_ConnectRspNeg*

A negative response denying the previous connection indication request (see *LP\_ConnectInd* in [Section 3.1.1](#)).

### 3.2.2 L2CAP to L2CAP Signalling actions

This section contains the same names identified in [Section 3.1.2](#) except the actions refer to the transmission, rather than reception, of these messages.

### 3.2.3 L2CAP to L2CAP Data actions

This section is the counterpart of [Section 3.1.3](#). Data transmission is the action performed here.

### 3.2.4 L2CAP to Upper Layer actions

- *L2CA\_ConnectInd*  
Indicates a Connection Request has been received from a remote device (see *L2CA\_ConnectReq* in [Section 3.1.4](#)).
- *L2CA\_ConnectCfm*  
Confirms that a Connection Request has been accepted (see *L2CAP\_ConnectReq* in [Section 3.1.4](#)) following the receipt of a Connection message from the remote device.
- *L2CA\_ConnectCfmNeg*  
Negative confirmation (failure) of a Connection Request (see *L2CA\_ConnectReq* in [Section 3.1.4](#)). An RTX timer expiration (see [Section 3.1.5](#) and *L2CA\_TimeOutInd* below) for an outstanding Connect Request can substitute for a negative Connect Response and result in this action.
- *L2CA\_ConnectPnd*  
Confirms that a Connection Response (pending) has been received from the remote device.
- *L2CA\_ConfigInd*  
Indicates a Configuration Request has been received from a remote device.
- *L2CA\_ConfigCfm*  
Confirms that a Configuration Request has been accepted (see *L2CA\_ConfigReq* in [Section 3.1.4](#)) following the receipt of a Configuration Response from the remote device.
- *L2CA\_ConfigCfmNeg*  
Negative confirmation (failure) of a Configuration Request (see *L2CA\_ConfigReq* in [Section 3.1.4](#)). An RTX timer expiration (see [Section 3.1.5](#) and *L2CA\_TimeOutInd* below) for an outstanding Connect Request can substitute for a negative Connect Response and result in this action.



- *L2CA\_DisconnectInd*  
Indicates a Disconnection Request has been received from a remote device or the remote device has been disconnected because it has failed to respond to a signalling request. See [Section 3.1.5](#)
- *L2CA\_DisconnectCfm*  
Confirms that a Disconnect Request has been processed by the remote device (see *L2CA\_DisconnectReq* in [Section 3.1.4](#)) following the receipt of a Disconnection Response from the remote device. An RTX timer expiration (see [Section 3.1.5](#) and *L2CA\_TimeOutInd* below) for an outstanding Disconnect Request can substitute for a Disconnect Response and result in this action. Upon receiving this event the upper layer knows the L2CAP channel has been terminated. There is no corresponding negative confirm.
- *L2CA\_TimeOutInd*  
Indicates that a RTX or ERTX timer has expired. This indication will occur an implementation-dependant number of times before the L2CAP implementation will give up and send a *L2CA\_DisconnectInd*.
- *L2CA\_QoSViolationInd*  
Indicates that the quality of service agreement has been violated.

### 3.3 CHANNEL OPERATIONAL STATES

- *CLOSED*  
In this state, there is no channel associated with this CID. This is the only state when a link level connection (Baseband) may not exist. Link disconnection forces all other states into the *CLOSED* state.
- *W4\_L2CAP\_CONNECT\_RSP*  
In this state, the CID represents a local end-point and an *L2CAP\_ConnectReq* message has been sent referencing this endpoint and it is now waiting for the corresponding *L2CAP\_ConnectRsp* message.
- *W4\_L2CA\_CONNECT\_RSP*  
In this state, the remote end-point exists and an *L2CAP\_ConnectReq* has been received by the local L2CAP entity. An *L2CA\_ConnectInd* has been sent to the upper layer and the part of the local L2CAP entity processing the received *L2CAP\_ConnectReq* waits for the corresponding response. The response may require a security check to be performed.
- *CONFIG*  
In this state, the connection has been established but both sides are still negotiating the channel parameters. The Configuration state may also be entered when the channel parameters are being renegotiated. Prior to entering the *CONFIG* state, all outgoing data traffic should be suspended since the traffic parameters of the data traffic are to be renegotiated. Incoming data traffic must be accepted until the remote channel endpoint has entered the *CONFIG* state.

In the CONFIG state, both sides must issue L2CAP\_ConfigReq messages – if only defaults are being used, a null message should be sent, see [Section 5.4 on page 280](#). If a large amount of parameters need to be negotiated, multiple messages may be sent to avoid any MTU limitations and negotiate incrementally – see [Section 6 on page 289](#) for more details.

Moving from the CONFIG state to the OPEN state requires both sides to be ready. An L2CAP entity is ready when it has received a positive response to its final request and it has positively responded to the final request from the remote device.

- **OPEN**

In this state, the connection has been established and configured, and data flow may proceed.

- **W4\_L2CAP\_DISCONNECT\_RSP**

In this state, the connection is shutting down and an L2CAP\_DisconnectReq message has been sent. This state is now waiting for the corresponding response.

- **W4\_L2CA\_DISCONNECT\_RSP**

In this state, the connection on the remote endpoint is shutting down and an L2CAP\_DisconnectReq message has been received. An L2CA\_DisconnectInd has been sent to the upper layer to notify the owner of the CID that the remote endpoint is being closed. This state is now waiting for the corresponding response from the upper layer before responding to the remote endpoint.

### 3.4 MAPPING EVENTS TO ACTIONS

[Table 3.1](#) defines the actions taken in response to events that occur in a particular state. Events that are not listed in the table, nor have actions marked N/C (for no change), are assumed to be errors and silently discarded.

Data input and output events are only defined for the Open and Configuration states. Data may not be received during the initial Configuration state, but may be received when the Configuration state is re-entered due to a reconfiguration process. Data received during any other state should be silently discarded.

Event	Current State	Action	New State
LP_ConnectCfm	CLOSED	Flag physical link as up and initiate the L2CAP connection.	CLOSED
LP_ConnectCfmNeg	CLOSED	Flag physical link as down and fail any outstanding service connection requests by sending an L2CA_ConnectCfmNeg message to the upper layer.	CLOSED
LP_ConnectInd	CLOSED	Flag link as up.	CLOSED
LP_DisconnectInd	CLOSED	Flag link as down.	CLOSED
LP_DisconnectInd	Any except CLOSED	Send upper layer L2CA_DisconnectInd message.	CLOSED
LP_QoSViolationInd	Any but OPEN	Discard	N/C
LP_QoSViolationInd	OPEN	Send upper layer L2CA_QoSViolationInd message. If service level is guaranteed, terminate the channel.	OPEN or W4_L2CA_DISCONNECT_RSP
L2CAP_ConnectReq	CLOSED. (CID dynamically allocated from free pool.)	Send upper layer L2CA_ConnectInd. Optionally: Send peer L2CAP_ConnectRspPnd	W4_L2CA_CONNECT_RSP
L2CAP_ConnectRsp	W4_L2CAP_CONNECT_RSP	Send upper layer L2CA_ConnectCfm message. Disable RTX timer.	CONFIG
L2CAP_ConnectRspPnd	W4_L2CAP_CONNECT_RSP	Send upper layer L2CA_ConnectPnd message. Disable RTX timer and start ERTX timer.	N/C
L2CAP_ConnectRspNeg	W4_L2CAP_CONNECT_RSP	Send upper layer L2CA_ConnectCfmNeg message. Return CID to free pool. Disable RTX/ERTX timers.	CLOSED
L2CAP_ConfigReq	CLOSED	Send peer L2CAP_ConfigRspNeg message.	N/C
L2CAP_ConfigReq	CONFIG	Send upper layer L2CA_ConfigInd message.	N/C

Table 3.1: L2CAP Channel State Machine

Event	Current State	Action	New State
L2CAP_ConfigReq	OPEN	Suspend data transmission at a convenient point. Send upper layer L2CA_ConfigInd message.	CONFIG
L2CAP_ConfigRsp	CONFIG	Send upper layer L2CA_ConfigCfm message. Disable RTX timer. If an L2CAP_ConfigReq message has been received and positively responded to, then enter OPEN state, otherwise remain in CONFIG state.	N/C or OPEN
L2CAP_ConfigRsp Neg	CONFIG	Send upper layer L2CA_ConfigCfmNeg message. Disable RTX timer.	N/C
L2CAP_DisconnectReq	CLOSED	Send peer L2CAP_DisconnectRsp message.	N/C
L2CAP_DisconnectReq	Any except CLOSED	Send upper layer L2CA_DisconnectInd message.	W4_L2CA_DISCONNECT_RSP
L2CAP_DisconnectRsp	W4_L2CAP_DISCONNECT_RSP	Send upper layer L2CA_DisconnectCfm message. Disable RTX timer.	CLOSED
L2CAP_Data	OPEN or CONFIG	If complete L2CAP packet received, send upper layer L2CA_Read confirm.	N/C
L2CA_ConnectReq	CLOSED (CID dynamically allocated from free pool)	Send peer LP2CAP_ConnectReq message. Start RTX timer.	W4_L2CAP_CONNECT_RSP
L2CA_ConnectRsp	W4_L2CAP_CONNECT_RSP	Send peer L2CAP_ConnectRsp message.	CONFIG
L2CA_ConnectRsp Neg	W4_L2CAP_CONNECT_RSP	Send peer L2CAP_ConnectRspNeg message. Return CID to free pool.	CLOSED
L2CA_ConfigReq	CLOSED	Send upper layer L2CA_ConfigCfmNeg message.	N/C
L2CA_ConfigReq	CONFIG	Send peer L2CAP_ConfigReq message. Start RTX timer.	N/C

Table 3.1: L2CAP Channel State Machine

Event	Current State	Action	New State
L2CA_ConfigReq	OPEN	Suspend data transmission at a convenient point. Send peer L2CAP_ConfigReq message. Start RTX timer.	CONFIG
L2CA_ConfigRsp	CONFIG	Send peer L2CAP_ConfigRsp message. If all outstanding L2CAP_ConfigReq messages have received positive responses then move in OPEN state. Otherwise, remain in CONFIG state.	N/C or OPEN
L2CA_ConfigRspNeg	CONFIG	Send peer L2CAP_ConfigRspNeg message.	N/C
L2CA_DisconnectReq	OPEN or CONFIG	Send peer L2CAP_DisconnectReq message. Start RTX timer.	W4_L2CAP_DISCONNECT_RSP
L2CA_DisconnectRsp	W4_L2CAP_DISCONNECT_RSP	Send peer L2CAP_DisconnectRsp message. Return CID to free pool.	CLOSED
L2CA_DataRead	OPEN	If payload complete, transfer payload to InBuffer.	OPEN
L2CA_DataWrite	OPEN	Send peer L2CAP_Data message.	OPEN
Timer_RTX	Any	Send upper layer L2CA_TimeOutInd message. If final expiration, return CID to free pool else re-send Request.	CLOSED
Timer_ERTX	Any	Send upper layer L2CA_TimeOutInd message. If final expiration, return CID to free pool else re-send Request.	CLOSED

Table 3.1: L2CAP Channel State Machine

Figure 3.3 illustrates a simplified state machine and typical transition path taken by an initiator and acceptor. The state machine shows what events cause state transitions and what actions are also taken while the transitions occur. Not all the events listed in Table 3.1 are included in the simplified State Machine to avoid cluttering the figure.

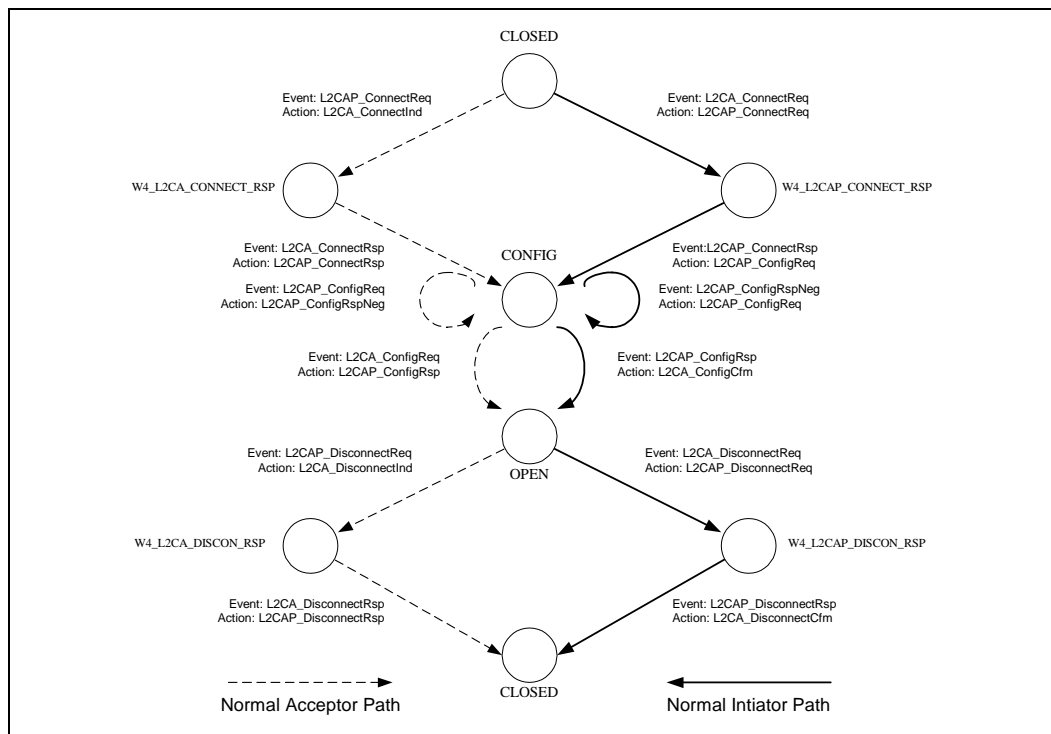


Figure 3.3: State Machine Example

Figure 3.4 presents another illustration of the events and actions based around the messages sequences being communicated between two devices. In this example, the initiator is creating the first L2CAP channel between two devices. Both sides start in the CLOSED state. After receiving the request from the upper layer, the entity requests the lower layer to establish a physical link. If no physical link exists, LMP commands are used to create the physical link between the devices. Once the physical link is established, L2CAP signals may be sent over it.

Figure 3.4 is an example and not all setup sequences will be identical to the one illustrated below.

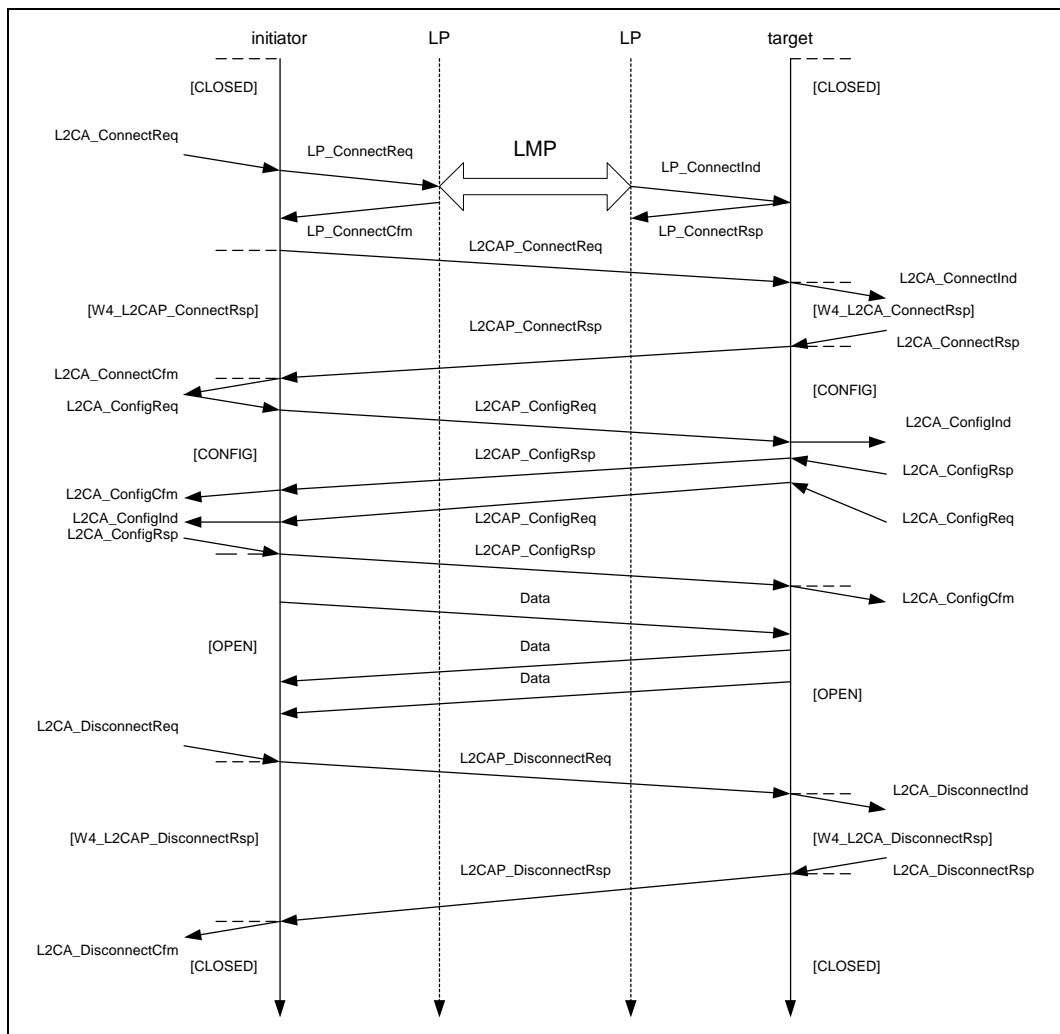


Figure 3.4: Message Sequence Chart of Basic Operation

## 4 DATA PACKET FORMAT

L2CAP is packet-based but follows a communication model based on *channels*. A channel represents a data flow between L2CAP entities in remote devices. Channels may be connection-oriented or connectionless. All packet fields use Little Endian byte order.

### 4.1 CONNECTION-ORIENTED CHANNEL

Figure 4.1 illustrates the format of the L2CAP packet (also referred to as the L2CAP PDU) within a connection-oriented channel.

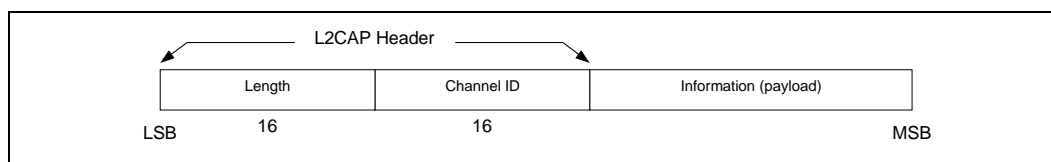


Figure 4.1: L2CAP Packet (field sizes in bits)

The fields shown are:

- *Length*: 2 octets (16 bits)

Length indicates the size of information payload in bytes, excluding the length of the L2CAP header. The length of an information payload can be up to 65535 bytes. The Length field serves as a simple integrity check of the reassembled L2CAP packet on the receiving end.

- *Channel ID*: 2 octets

The channel ID identifies the destination channel endpoint of the packet. The scope of the channel ID is relative to the device the packet is being sent to.

- *Information*: 0 to 65535 octets

This contains the payload received from the upper layer protocol (outgoing packet), or delivered to the upper layer protocol (incoming packet). The minimum supported MTU for connection-oriented packets ( $MTU_{cno}$ ) is negotiated during channel configuration (see [Section 6.1 on page 289](#)). The minimum supported MTU for the signalling packet ( $MTU_{sig}$ ) is 48 bytes (see [Section 5 on page 275](#)).



## 4.2 CONNECTIONLESS DATA CHANNEL

In addition to connection-oriented channels, L2CAP also exports the concept of a group-oriented channel. Data sent to the 'group' channel is sent to all members of the group in a best-effort manner. Groups have no quality of service associated with them. Group channels are unreliable; L2CAP makes no guarantee that data sent to the group successfully reaches all members of the group. If reliable group transmission is required, it must be implemented at a higher layer.

Transmissions to a group must be non-exclusively sent to all members of that group. The local device cannot be a member of the group, and higher layer protocols are expected to loopback any data traffic being sent to the local device. Non-exclusive implies non-group members may receive group transmissions and higher level (or link level) encryption can be used to support private communication.

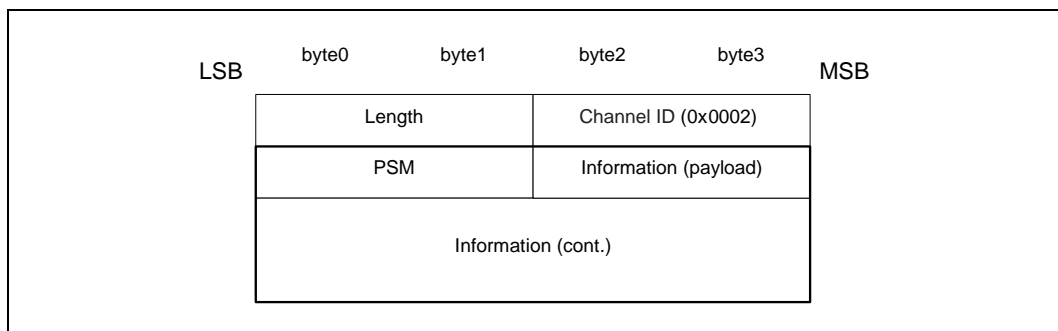


Figure 4.2: Connectionless Packet

The fields shown are:

- **Length: 2 octets**  
Length indicates the size of information payload plus the PSM field in bytes, excluding the length of the L2CAP header.
- **Channel ID: 2 octets**  
Channel ID (0x0002) reserved for connectionless traffic.
- **Protocol/Service Multiplexer (PSM): 2 octets (minimum)**  
The PSM field is based on the ISO 3309 extension mechanism for address fields. All content of the PSM field, referred to as the PSM value, must be ODD, that is, the least significant bit of the least significant octet must be '1'. Also, all PSM values must be assigned such that the least significant bit of the most significant octet equals '0'. This allows the PSM field to be extended beyond 16 bits. The PSM value definitions are specific to L2CAP and assigned by the Bluetooth SIG. For more information on the PSM field see [Section 5.2 on page 278](#).

- *Information: 0 to 65533 octets*

The payload information to be distributed to all members of the group. Implementations must support a minimum connectionless MTU ( $MTU_{cni}$ ) of 670 octets, unless explicitly agreed upon otherwise, e.g., for single operation devices that are built to comply to a specific Bluetooth profile that dictates the use of a specific MTU for connectionless traffic that is less than  $MTU_{cni}$ .

The L2CAP group service interface provides basic group management mechanisms including creating a group, adding members to a group, and removing members from a group. There are no pre-defined groups such as 'all radios in range'.

## 5 SIGNALLING

This section describes the signalling commands passed between two L2CAP entities on remote devices. All signalling commands are sent to CID 0x0001. The L2CAP implementation must be able to determine the Bluetooth address (BD\_ADDR) of the device that sent the commands. Figure 5.1 illustrates the general format of all L2CAP packets containing signalling commands. Multiple commands may be sent in a single (L2CAP) packet and packets are sent to CID 0x0001. MTU Commands take the form of Requests and Responses. All L2CAP implementations must support the reception of signalling packets whose MTU (MTU<sub>sig</sub>) does not exceed 48 bytes. L2CAP implementations should not use signalling packets beyond this size without first testing whether the implementation can support larger signalling packets.

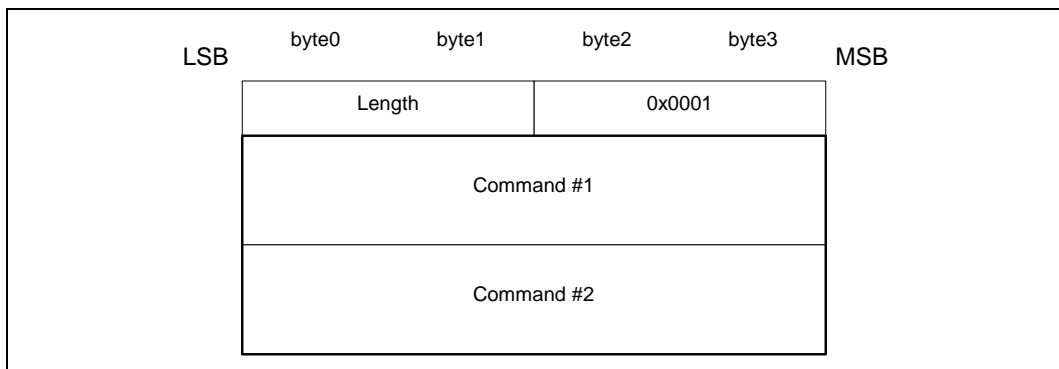


Figure 5.1: Signalling Command Packet Format

Figure 5.2 displays the general format of all signalling commands.

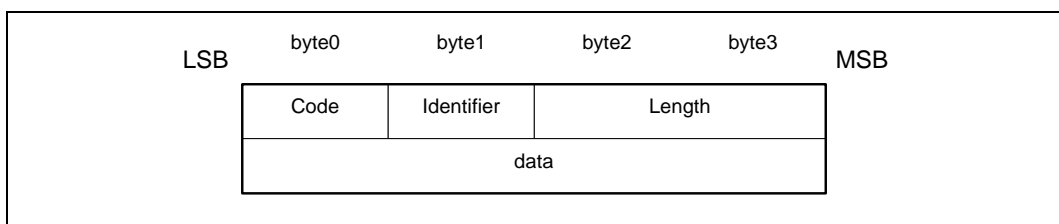


Figure 5.2: Command format

The fields shown are:

- *Code: 1 octet*

The Code field is one octet long and identifies the type of command. When a packet is received with an unknown Code field, a Command Reject packet (defined in Section 5.1 on page 277) is sent in response.

Up-to-date values of assigned Codes are specified in the latest Bluetooth 'Assigned Numbers' document (page 1009). Table 5.1 on page 276 lists the codes defined by this document. All codes are specified with the most significant bit in the left-most position.

Code	Description
0x00	RESERVED
0x01	Command reject
0x02	Connection request
0x03	Connection response
0x04	Configure request
0x05	Configure response
0x06	Disconnection request
0x07	Disconnection response
0x08	Echo request
0x09	Echo response
0x0A	Information request
0x0B	Information response

Table 5.1: Signalling Command Codes

- **Identifier: 1 octet**

The Identifier field is one octet long and helps matching a request with the reply. The requesting device sets this field and the responding device uses the same value in its response. A different Identifier must be used for each original command. Identifiers should not be recycled until a period of 360 seconds has elapsed from the initial transmission of the command using the identifier. On the expiration of a RTX or ERTX timer, the same identifier should be used if a duplicate Request is re-sent as stated in [Section 3.1.5 on page 262](#). A device receiving a duplicate request should reply with a duplicate response. A command response with an invalid identifier is silently discarded. Signalling identifier 0x0000 is defined to be an illegal identifier and shall never be used in any command.

- **Length: 2 octets**

The Length field is two octets long and indicates the size in octets of the data field of the command only, i.e., it does not cover the Code, Identifier, and Length fields.

- **Data: 0 or more octets**

The Data field is variable in length and discovered using the Length field. The Code field determines the format of the Data field.

## 5.1 COMMAND REJECT (CODE 0x01)

A Command Reject packet is sent in response to a command packet with an unknown command code or when sending the corresponding Response is inappropriate. Figure 5.3 displays the format of the packet. The Identifier should match the Identifier of the packet containing the unidentified code field. Implementations must always send these packets in response to unidentified signalling packets.

When multiple commands are included in an L2CAP packet and the packet exceeds the MTU of the receiver, a single Command Reject packet is sent in response. The identifier should match the first Request command in the L2CAP packet. If only Responses are recognized, the packet shall be silently discarded.

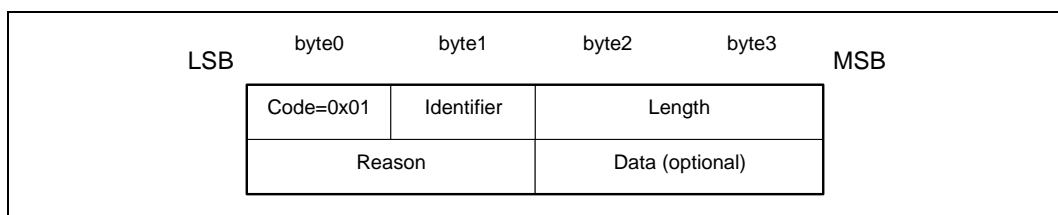


Figure 5.3: Command Reject Packet

- Length = 0x0002 or more octets
- Reason: 2 octets

The Reason field describes why the Request packet was rejected.

Reason value	Description
0x0000	Command not understood
0x0001	Signalling MTU exceeded
0x0002	Invalid CID in request
Other	Reserved

Table 5.2: Reason Code Descriptions

- Data: 0 or more octets

The length and content of the Data field depends on the Reason code. If the Reason code is 0x0000, “Command not understood”, no Data field is used. If the Reason code is 0x0001, “Signalling MTU Exceeded”, the 2-octet Data field represents the maximum signalling MTU the sender of this packet can accept.

If a command refers to an invalid channel then the Reason code 0x0002 will be returned. Typically a channel is invalid because it does not exist. A 4-octet data field on the command reject will contain the local (first) and remote (second) channel endpoints (relative to the sender of the Command Reject) of the disputed channel. The latter endpoints are obtained from the corresponding rejected command. If the rejected command contains only one of the channel endpoints, the other one is replaced by the null CID 0x0000.

Reason value	Data Length	Data value
0x0000	0 octets	N/A
0x0001	2 octets	Actual MTU
0x0002	4 octets	Requested CID

Table 5.3: Reason Data values

## 5.2 CONNECTION REQUEST (CODE 0x02)

Connection request packets are sent to create a channel between two devices. The channel connection must be established before configuration may begin. Figure 5.4 illustrates a Connection Request packet.

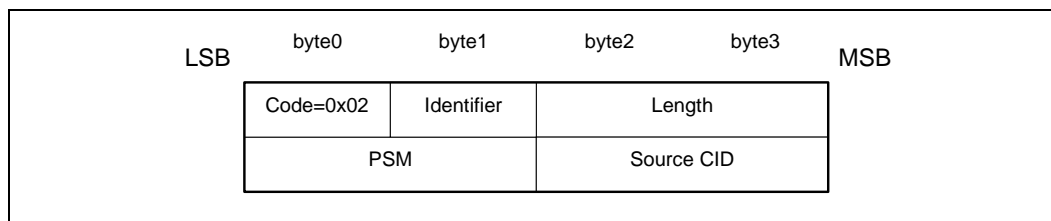


Figure 5.4: Connection Request Packet

- Length = 0x0004 or more octets
- Protocol/Service Multiplexor (PSM): 2 octets (minimum)

The PSM field is two octets (minimum) in length. The structure of the PSM field is based on the ISO 3309 extension mechanism for address fields. All PSM values must be ODD, that is, the least significant bit of the least significant octet must be '1'. Also, all PSM values must be assigned such that the least significant bit of the most significant octet equals '0'. This allows the PSM field to be extended beyond 16 bits. PSM values are separated into two ranges. Values in the first range are assigned by the Bluetooth SIG and indicate protocols. The second range of values are dynamically allocated and used in conjunction with the Service Discovery Protocol (SDP). The dynamically assigned values may be used to support multiple implementations of a particular protocol, e.g., RFCOMM, residing on top of L2CAP or for prototyping an experimental protocol.

PSM value	Description
0x0001	Service Discovery Protocol
0x0003	RFCOMM
0x0005	Telephony Control Protocol
<0x1000	RESERVED
[0x1001-0xFFFF]	DYNAMICALLY ASSIGNED

Table 5.4: Defined PSM Values

- *Source CID (SCID): 2 octets*

The source local CID is two octets in length and represents a channel end-point on the device sending the request. Once the channel has been configured, data packets flowing from the sender of the request must be sent to this CID. In this section, the Source CID represents the channel endpoint on the device sending the request and receiving the response, while the Destination CID represents the channel endpoint on the device receiving the request and sending the response.

### 5.3 CONNECTION RESPONSE (CODE 0x03)

When a unit receives a Connection Request packet, it must send a Connection Response packet. The format of the connection response packet is shown in Figure 5.5.

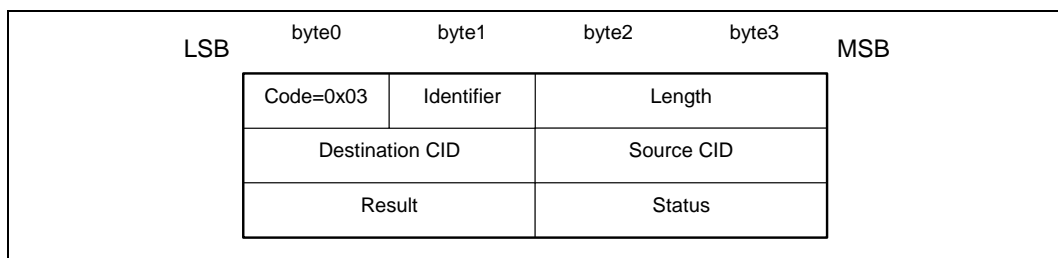


Figure 5.5: Connection Response Packet

- *Length = 0x0008 octets*
- *Destination Channel Identifier (DCID): 2 octets*

The field contains the channel end-point on the device sending this Response packet.

- *Source Channel Identifier (SCID): 2 octets*

The field contains the channel end-point on the device receiving this Response packet.

- *Result: 2 octets*

The result field indicates the outcome of the connection request. The result value of 0x0000 indicates success while a non-zero value indicates the connection request failed. A logical channel is established on the receipt of a successful result. [Table 5.5](#) defines values for this field. If the result field is not zero, the DCID and SCID fields should be ignored.

Value	Description
0x0000	Connection successful.
0x0001	Connection pending
0x0002	Connection refused – PSM not supported.
0x0003	Connection refused – security block.
0x0004	Connection refused – no resources available.
Other	Reserved.

Table 5.5: Result values

- *Status: 2 octets*

Only defined for Result = Pending. Indicates the status of the connection.

Value	Description
0x0000	No further information available
0x0001	Authentication pending
0x0002	Authorization pending
Other	Reserved

Table 5.6: Status values

## 5.4 CONFIGURATION REQUEST (CODE 0x04)

Configuration Request packets are sent to establish an initial logical link transmission contract between two L2CAP entities and also to re-negotiate this contract whenever appropriate. During a re-negotiation session, all data traffic on the channel should be suspended pending the outcome of the negotiation. Each configuration parameter in a Configuration Request is related exclusively either with the outgoing or the incoming data traffic but not both of them. In [Section 6 on page 289](#), the various configuration parameters and their relation to the outgoing or incoming data traffic are presented. If an L2CAP entity receives a Configuration Request while it is waiting for a response it must not block sending the Configuration Response, otherwise the configuration process may deadlock.

If no parameters need to be negotiated, no options need to be inserted and the C-bit should be cleared. L2CAP entities in remote devices MUST negotiate all parameters defined in this document whenever the default values are not



acceptable. Any missing configuration parameters are assumed to have their most recently (mutually) explicitly or implicitly accepted values. Even if all default values are acceptable, a Configuration Request packet with no options **MUST** be sent. Implicitly accepted values are any default values for the configuration parameters specified in this document that have not been explicitly negotiated for the specific channel under configuration.

Each configuration parameter is one-directional and relative to the direction implied by the sender of a Configuration Request. If a device needs to establish the value of a configuration parameter in the opposite direction than the one implied by a Configuration Request, a new Configuration Request with the desired value of the configuration parameter in it needs to be sent in the direction opposite the one used for the original Connection Request.

The decision on the amount of time (or messages) spent arbitrating the channel parameters before terminating the negotiation is left to the implementation but it shall not last more than 120 seconds.

Figure 5.6 defines the format of the Configuration Request packet.

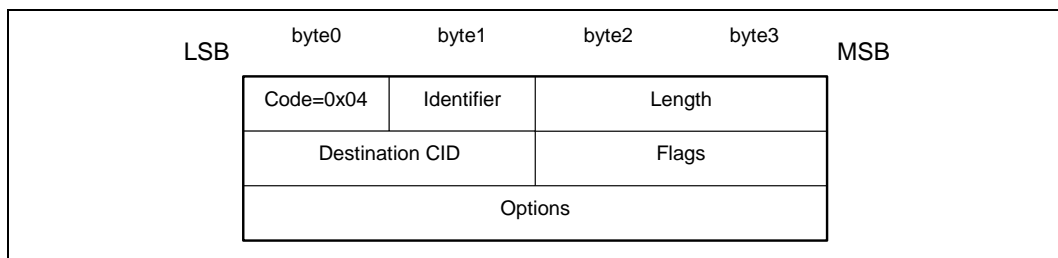


Figure 5.6: Configuration Request Packet

- *Length = 0x0004 or more octets*
- *Destination CID (DCID): 2 octets*

The field contains the channel end-point on the device receiving this Request packet.

- *Flags: 2 octets*

Figure 5.7 display the two-octet Flags field. Note the most significant bit is shown on the left.

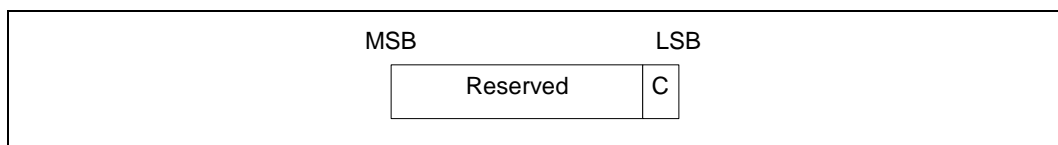


Figure 5.7: Configuration Request Flags field format

C – more configuration requests will follow when set to 1. This flag indicates that the remote device should not enter OPEN state after agreeing to these parameters because more parameter negotiations are being sent. Segment-

ing the Configuration Request packet is necessary if the parameters exceed the  $MTU_{sig}$ .

Other flags are reserved and should be cleared. L2CAP implementations should ignore these bits.

- *Configuration Options*

The list of the parameters and their values to be negotiated. These are defined in [Section 6 on page 289](#). Configuration Requests may contain no options (referred to as an empty or null configuration request) and can be used to request a response. For an empty configuration request the length field is set to 0x0004.

### 5.5 CONFIGURE RESPONSE (CODE 0X05)

Configure Response packets MUST be sent in reply to Configuration Request packets. Each configuration parameter value (if any is present) in a Configuration Response reflects an 'adjustment' to a configuration parameter value that has been sent (or, in case of default values, implied) in the corresponding Configuration Request. Thus, for example, if a configuration parameter in a Configuration Request relates to traffic flowing from device A to device B, the sender of the Configuration Response will only adjust (if needed) this value again for the same traffic flowing from device A to device B. The options sent in the Response depend on the value in the Result field. Figure 5.8 defines the format of the Configuration Response packet.

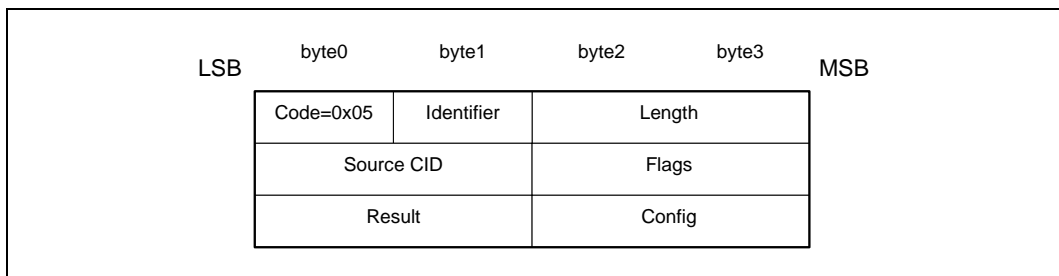


Figure 5.8: Configuration Response Packet

- Length = 0x0006 or more octets
- Source CID (SCID): 2 octets

The field contains the channel end-point on the device receiving this Response packet. The device receiving the Response must check that the Identifier field matches the same field in the corresponding configuration request command and the SCID matches its local CID paired with the original DCID.

- Flags: 2 octets

Figure 5.9 displays the two-octet Flags field. Note the most significant bit is shown on the left.

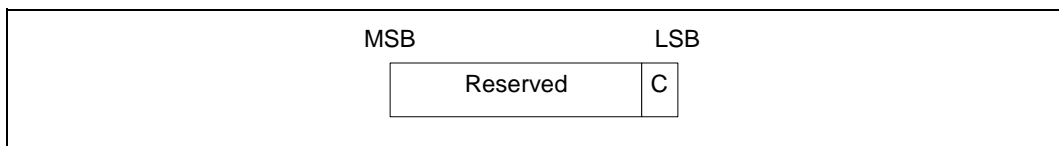


Figure 5.9: Configuration Response Flags field format

C – more configuration responses will follow when set to 1. This flag indicates that the parameters included in the response are a partial subset of parameters being sent by the device sending the Response packet.

Other flags are reserved and should be cleared. L2CAP implementations should ignore these bits.

- *Result: 2 octets*

The Result field indicates whether or not the Request was acceptable. See [Table 5.7](#) for possible result codes.

Result	Description
0x0000	Success
0x0001	Failure – unacceptable parameters
0x0002	Failure – rejected (no reason provided)
0x0003	Failure – unknown options
Other	RESERVED

Table 5.7: Configuration Response Result codes

- *Configuration Options*

This field contains the list of parameters being negotiated. These are defined in [Section 6 on page 289](#). On a successful result, these parameters contain the return values for any wild card parameters (see [Section 6.3 on page 291](#)) contained in the request.

On an unacceptable parameters failure (Result=0x0001) the rejected parameters should be sent in the response with the values that would have been accepted if sent in the original request. Any missing configuration parameters are assumed to have their most recently (mutually) accepted values and they too can be included in the Configuration Response if need to be changed. Recall that, each configuration parameter is one-directional and relative to the direction implied by the sender of a Configuration Request. Thus, if the sender of the Configuration Response needs to establish the value of a configuration parameter in the opposite direction than the one implied by an original Configuration Request, a new Configuration Request with the desired value of the configuration parameter in it needs to be sent in the direction opposite the one used for the original Connection Request.

On an unknown option failure (Result=0x0003), the option types not understood by the recipient of the Request must be included in the Response. Note that hints (defined in [Section 6 on page 289](#)), those options in the Request that are skipped if not understood, must not be included in the Response and must not be the sole cause for rejecting the Request.

The decision on the amount of time (or messages) spent arbitrating the channel parameters before terminating the negotiation is left to the implementation.

## 5.6 DISCONNECTION REQUEST (CODE 0x06)

Terminating an L2CAP channel requires that a disconnection request packet be sent and acknowledged by a disconnection response packet. Disconnection is requested using the signalling channel since all other L2CAP packets sent to the destination channel automatically get passed up to the next protocol layer. [Figure 5.10](#) displays a disconnection packet request. The receiver must ensure both source and destination CIDs match before initiating a connection disconnection. Once a Disconnection Request is issued, all incoming data in transit on this L2CAP channel will be discarded and any new additional outgoing data is not allowed. Once a disconnection request for a channel has been received, all data queued to be sent out on that channel may be discarded.

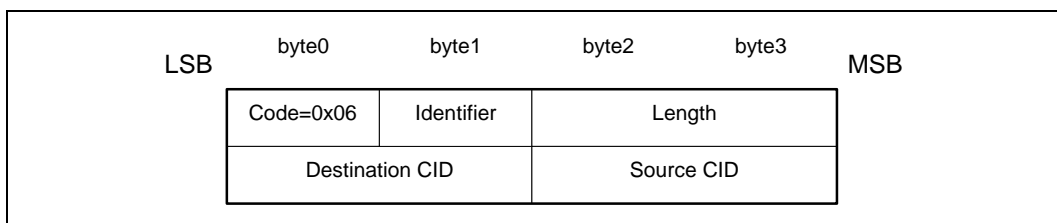


Figure 5.10: Disconnection Request Packet

- *Length* = 0x0004 octets
- *Destination CID (DCID)*: 2 octets

This field specifies the end-point of the channel to be shutdown on the device receiving this request.

- *Source CID (SCID)*: 2 octets

This field specifies the end-point of the channel to be shutdown on the device sending this request.

The SCID and DCID are relative to the sender of this request and must match those of the channel to be disconnected. If the DCID is not recognized by the receiver of this message, a CommandReject message with 'invalid CID' result code must be sent in response. If the receiver finds a DCID match but the SCID fails to find the same match, the request should be silently discarded.

### 5.7 DISCONNECTION RESPONSE (CODE 0x07)

Disconnection responses should be sent in response to each disconnection request.

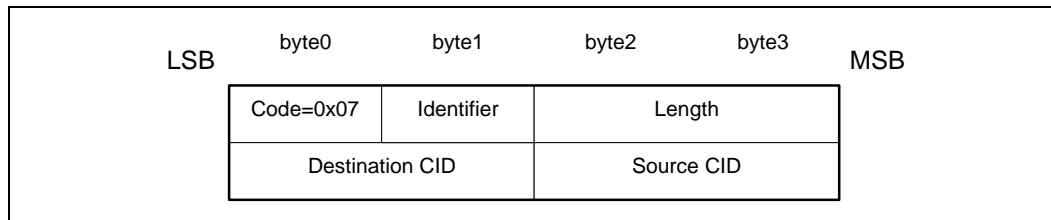


Figure 5.11: Disconnection Response Packet

- *Length = 0x0004 octets*
- *Destination CID (DCID): 2 octets*  
This field identifies the channel end-point on the device sending the response.
- *Source CID (SCID): 2 octets*  
This field identifies the channel end-point on the device receiving the response.

The DCID and the SCID (which are relative to the sender of the request), and the Identifier fields must match those of the corresponding disconnection request command. If the CIDs do not match, the response should be silently discarded at the receiver.

### 5.8 ECHO REQUEST (CODE 0x08)

Echo requests are used to solicit a response from a remote L2CAP entity. These requests may be used for testing the link or passing vendor specific information using the optional data field. L2CAP entities MUST respond to well-formed Echo Request packets with an Echo Response packet. The Data field is optional and implementation-dependent. L2CAP entities should ignore the contents of this field.

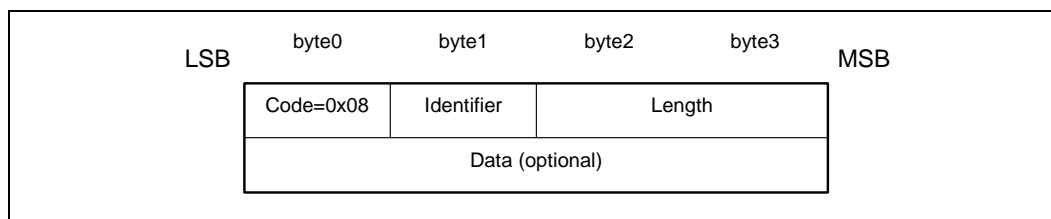


Figure 5.12: Echo Request Packet

### 5.9 ECHO RESPONSE (CODE 0x09)

Echo responses are sent upon receiving Echo Request packets. The identifier in the response MUST match the identifier sent in the Request. The optional and implementation-dependent data field may contain the contents of the data field in the Request, different data, or no data at all.

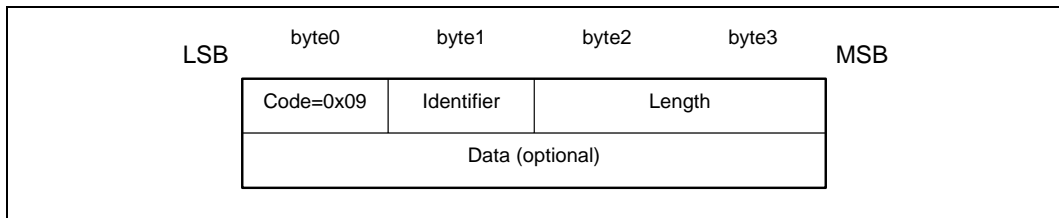


Figure 5.13: Echo Response Packet

### 5.10 INFORMATION REQUEST (CODE 0x0A)

Information requests are used to solicit implementation-specific information from a remote L2CAP entity. L2CAP entities MUST respond to well-formed Information Request packets with an Information Response packet.

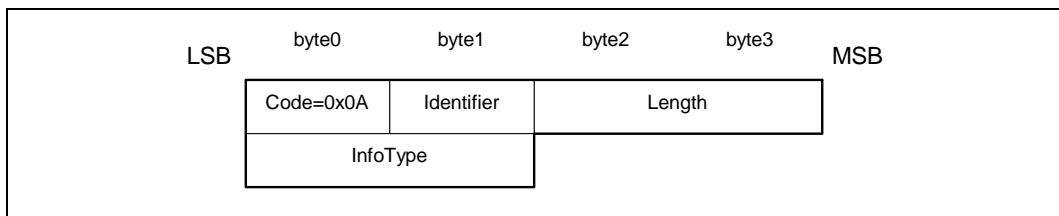


Figure 5.14: Information Request Packet

- *Length* = 0x0002 octets
- *InfoType*: 2 octets

The InfoType defines the type of implementation-specific information being solicited.

Value	Description
0x0001	Connectionless MTU
Other	Reserved

Table 5.8: InfoType definitions

### 5.11 INFORMATION RESPONSE (CODE 0X0B)

Information responses are sent upon receiving Information Request packets. The identifier in the response MUST match the identifier sent in the Request. The optional data field may contain the contents of the data field in the Request, different data, or no data at all.

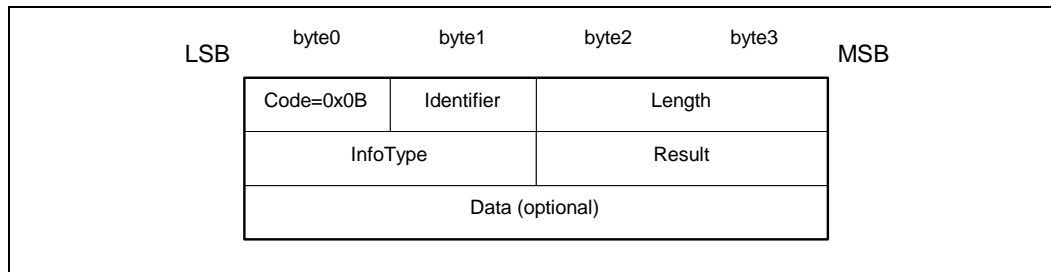


Figure 5.15: Information Response Packet

- **InfoType: 2 octets**  
Same value sent in the request.

- **Result: 2 octets**

The Result contains information about the success of the request. If result is "Success", the data field contains the information as specified in [Table 5.10](#). If result is "Not supported", no data should be returned.

Value	Description
0x0000	Success
0x0001	Not supported
Other	Reserved

Table 5.9: Information Response Result values

- **Data: 0 or more octets**

The contents of the Data field depends on the InfoType. For the Connection MTU request, the data field contains the remote entity's 2-octet acceptable connectionless MTU.

InfoType	Data	Data Length (in octets)
0x0001	Connectionless MTU	2

Table 5.10: Information Response Data fields



## 6 CONFIGURATION PARAMETER OPTIONS

Options are a mechanism to extend the ability to negotiate different connection requirements. Options are transmitted in the form of information elements comprised an option type, an option length, and one or more option data fields. [Figure 6.1](#) illustrates the format of an option.

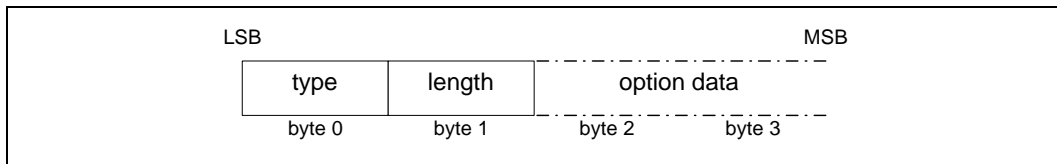


Figure 6.1: Configuration option format

- *Type: 1 octet*

The option type field defines the parameters being configured. The most significant bit of the type determines the action taken if the option is not recognized. The semantics assigned to the bit are defined below.

0 - option must be recognized; refuse the configuration request

1 - option is a hint; skip the option and continue processing

- *Length: 1 octet*

The length field defines the number of octets in the option payload. So an option type with no payload has a length of 0.

- *Option data*

The contents of this field are dependent on the option type.

### 6.1 MAXIMUM TRANSMISSION UNIT (MTU)

This option specifies the payload size the sender is capable of accepting. The type is 0x01, and the payload length is 2 bytes, carrying the two-octet MTU size value as the only information element (see [Figure 6.2 on page 290](#)).

Since all L2CAP implementations are capable to support a minimum L2CAP packet size, see [Section 4 on page 272](#), MTU is not really a negotiated value but rather an informational parameter to the remote device that the local device can accommodate in this channel an MTU larger than the minimum required. In the unlikely case that the remote device is only willing to send L2CAP packets in this channel that are larger than the MTU announced by the local device, then this Configuration Request will receive a negative response in which the remote device will include the value of MTU that is intended to transmit. In this case, it is implementation specific on whether the local device will continue the configuration process or even maintain this channel.

The remote device in its positive Configuration Response will include the actual MTU to be used on this channel for traffic flowing into the local device which is

minimum{ MTU in configReq, outgoing MTU capability of remote device }. The MTU to be used on this channel but for the traffic flowing in the opposite direction will be established when the remote device (with respect to this discussion) sends its own Configuration Request as explained in [Section 5.4 on page 280](#).

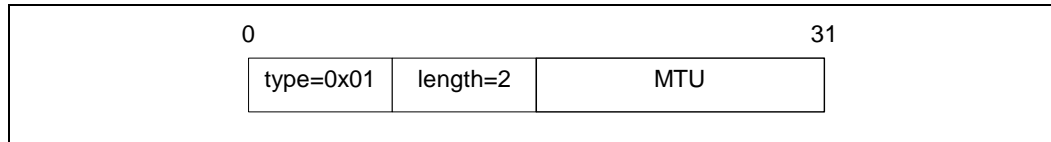


Figure 6.2: MTU Option Format

- **Maximum Transmission Unit (MTU) Size: 2 octets**

The MTU field represents the largest L2CAP packet payload, in bytes, that the originator of the Request can accept for that channel. The MTU is asymmetric and the sender of the Request shall specify the MTU it can receive on this channel if it differs from the default value. L2CAP implementations must support a minimum MTU size of 48 bytes. The default value is 672 bytes<sup>1</sup>.

## 6.2 FLUSH TIMEOUT OPTION

This option is used to inform the recipient of the amount of time the originator's link controller / link manager will attempt to successfully transmit an L2CAP segment before giving up and flushing the packet. The type is 0x02 and the payload size is 2 octets.

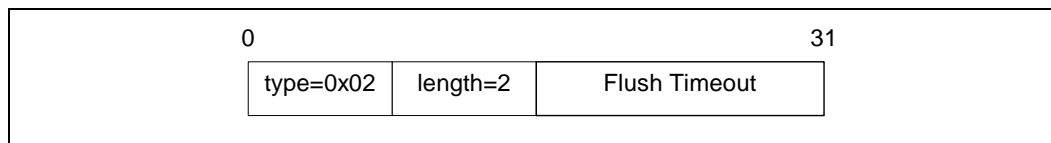


Figure 6.3: Flush Timeout

- *Flush Timeout*

This value represents units of time measured in milliseconds. The value of 1 implies no retransmissions at the Baseband level should be performed since the minimum polling interval is 1.25 ms. The value of all 1's indicates an infinite amount of retransmissions. This is also referred to as 'reliable channel'. In this case, the link manager shall continue retransmitting a segment until physical link loss occurs. This is an asymmetric value and the sender of the Request shall specify its flush timeout value if it differs from the default value of 0xFFFF.

1. The default MTU was selected based on the payload carried by two Baseband DH5 packets ( $2 \times 341 = 682$ ) minus the Baseband ACL headers ( $2 \times 2 = 4$ ) and L2CAP header (6).

### 6.3 QUALITY OF SERVICE (QOS) OPTION

This option specifies a flow specification (flowSpec) similar to RFC 1363 [1]. If no QoS configuration parameter is negotiated the link should assume the default parameters discussed below. The QoS option is type 0x03.

When included in a Configuration Request, this option describes the outgoing traffic flow from the device sending the request to the device receiving it. When included in a positive Configuration Response, this option describes the incoming traffic flow agreement as seen from the device sending the response. When included in a negative Configuration Response, this option describes the preferred incoming traffic flow from the perspective of the device sending the response.

L2CAP implementations are only required to support 'Best Effort' service, support for any other service type is optional. Best Effort does not require any guarantees. If no QoS option is placed in the request, Best Effort must be assumed. If any QoS guarantees are required then a QoS configuration request must be sent.

The remote device places information that depends on the value of the result field, see Section 5.5 on page 283, in its Configuration Response. If the request was for Guaranteed Service, the response shall include specific values for any wild card parameters (see Token Rate and Token Bucket Size descriptions) contained in the request. If the result is "Failure – unacceptable parameters", the response may include a list of outgoing flowspec parameters and parameter values that would make a new Connection Request from the local device acceptable by the remote device. Both explicitly referenced in a Configuration Request or implied configuration parameters can be included in a Configuration Response. Recall that any missing configuration parameters from a Configuration Request are assumed to have their most recently (mutually) accepted values. For both Best effort and Guaranteed service, when the QoS option appears in the Configuration Response, "do not cares" shall be present where they appeared in the Configuration Request.

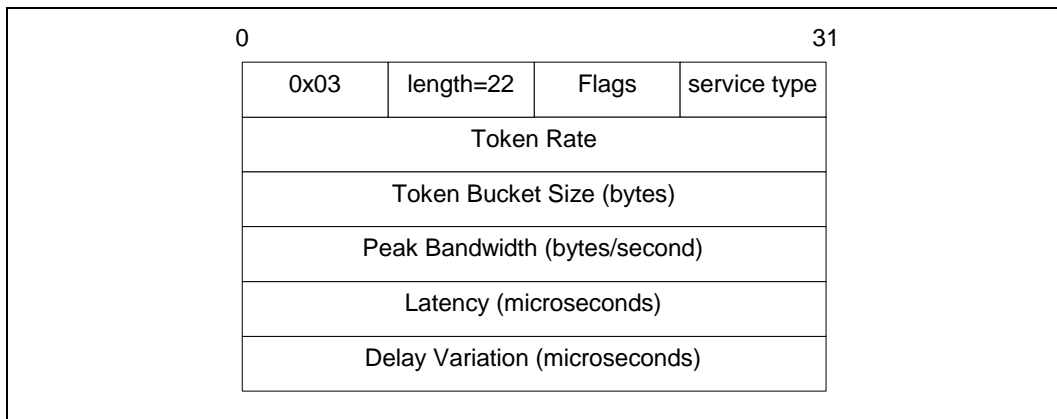


Figure 6.4: Quality of Service Flow Specification

- *Flags: 1 octet*

Reserved for future use and must be set to 0.

- *Service Type: 1 octet*

This field indicates the level of service required. Table 6.1 defines the different services available. If 'No traffic' is selected, the remainder of the fields may be ignored because there is no data being sent across the channel in the outgoing direction.

If 'Best effort', the default value, is selected, the remaining fields should be treated as hints by the remote device. The remote device may choose to ignore the fields, try to satisfy the hint but provide no response (QoS option omitted in the Response message), or respond with the settings it will try to meet.

Value	Description
0x00	No traffic
0x01	Best effort (Default)
0x02	Guaranteed
Other	Reserved

Table 6.1: Service type definitions

- *Token Rate: 4 octets*

The value of this field represents the rate at which traffic credits are granted in bytes per second. An application may send data at this rate continuously. Burst data may be sent up to the token bucket size (see below). Until that data burst has been drained, an application must limit itself to the token rate. The value 0x00000000 indicates no token rate is specified. This is the default value and implies indifference to token rate. The value 0xFFFFFFFF represents a wild card matching the maximum token rate available. The meaning of this value depends on the semantics associated with the service type. For best effort, the value is a hint that the application wants as much bandwidth as possible. For Guaranteed service the value represents the maximum bandwidth available at the time of the request.

- *Token Bucket Size: 4 octets*

The value of this field represents the size of the token bucket in bytes. If the bucket is full, then applications must either wait or discard data. The value of 0x00000000 represents no token bucket is needed; this is the default value. The value 0xFFFFFFFF represents a wild card matching the maximum token bucket available. The meaning of this value depends on the semantics associated with the service type. For best effort, the value indicates the application wants a bucket as big as possible. For Guaranteed service the value represents the maximum buffer space available at the time of the request.

- *Peak Bandwidth: 4 octets*

The value of this field, expressed in bytes per second, limits how fast packets may be sent back-to-back from applications. Some intermediate systems can take advantage of this information, resulting in more efficient resource allocation. The value of 0x00000000 states that the maximum bandwidth is unknown, which is the default value.

- *Latency: 4 octets*

The value of this field represents the maximum acceptable delay between transmission of a bit by the sender and its initial transmission over the air, expressed in microseconds. The precise interpretation of this number depends on the level of guarantee specified in the Class of Service. The value 0xFFFFFFFF represents a do not care and is the default value.

- *Delay Variation: 4 octets*

The value of this field is the difference, in microseconds, between the maximum and minimum possible delay that a packet will experience. This value is used by applications to determine the amount of buffer space needed at the receiving side in order to restore the original data transmission pattern. The value 0xFFFFFFFF represents a do not care and is the default value.

## 6.4 CONFIGURATION PROCESS

Negotiating the channel parameters involves three steps:

1. Informing the remote side of the non-default parameters that the local side will accept
2. Having the remote side agreeing or disagreeing to these values (including the default ones); steps (1) and (2) may iterate as needed
3. Repeat steps (1) and (2) for the reverse direction from the (previous) remote side to the (previous) local side.

This process can be abstracted into a Request negotiation path and a Response negotiation path.

### 6.4.1 Request Path

The Request Path negotiates the incoming MTU, flush timeout, and outgoing flowspec. [Table 6.2](#) defines the configuration options that may be placed in the Configuration Request message and their semantics.

Parameter	Description
MTU	Incoming MTU information
FlushTO	Outgoing flush timeout
OutFlow	Outgoing flow information.

Table 6.2: Parameters allowed in Request

### 6.4.2 Response Path

The Response Path negotiates the outgoing MTU (remote side’s incoming MTU), the remote side’s flush timeout, and incoming flowspec (remote side’s outgoing flowspec). If a request-oriented parameter is not present in the Request message (reverts to default value), the remote side may negotiate for a non-default value by including the proposed value in a negative Response message.

Parameter	Description
MTU	Outgoing MTU information
FlushTO	Incoming flush timeout
InFlow	Incoming flow information

Table 6.3: Parameters allowed in Response

### 6.4.3 Configuration State Machine

The configuration state machine shown below depicts two paths. Before leaving the CONFIG state and moving into the OPEN state, both paths must reach closure. The request path requires the local device to receive a positive response to reach closure while the response path requires the local device to send a positive response to reach closure.

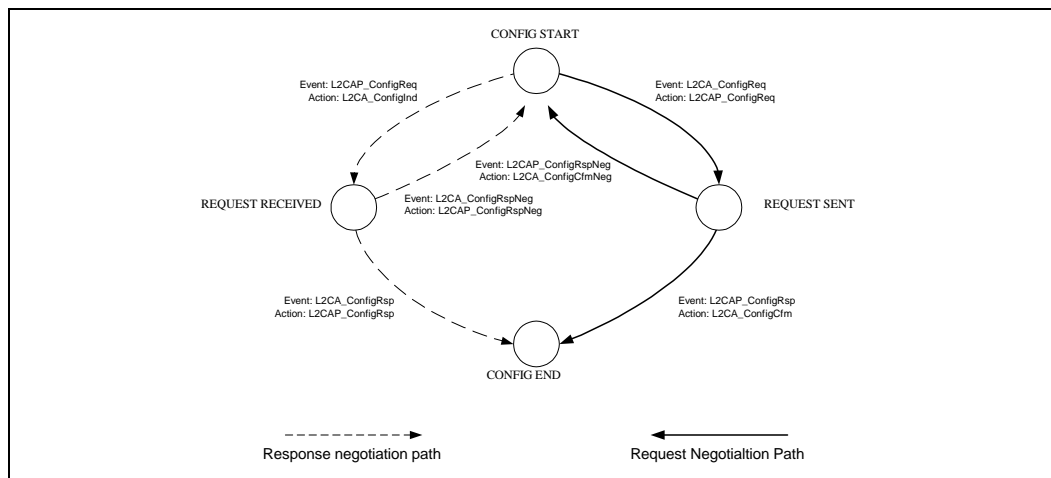


Figure 6.5: Configuration State Machine

“Appendix A: Configuration MSCs” on page 318 provides some configuration examples.

## 7 SERVICE PRIMITIVES

This section presents an abstract description of the services offered by L2CAP in terms of service primitives and parameters. The service interface is required for testing. The interface is described independently of any platform specific implementation. All data values use Little Endian byte ordering.

### 7.1 EVENT INDICATION

Service	Input Parameters	Output Parameters
EventIndication	Event, Callback	Result

**Description:**

The use of this primitive requests a callback when the selected indication Event occurs.

**Input Parameters:**

*Event* *Type: uint* *Size: 2 octets*

Value	Description
0x00	Reserved
0x01	L2CA_ConnectInd
0x02	L2CA_ConfigInd
0x03	L2CA_DisconnectInd
0x04	L2CA_QoSViolationInd
other	Reserved for future use

*Callback* *Type: function* *Size: N/A*

Event	Callback Function Input Parameters
L2CA_ConnectInd	BD_ADDR, CID, PSM, Identifier
L2CA_ConfigInd	CID, OutMTU, InFlow, InFlushTO
L2CA_DisconnectInd	CID
L2CA_QoSViolationInd	BD_ADDR

**Output Parameters:**

*Result* *Type: uint* *Size: 2 octets*

Value	Description
0x0000	Event successfully registered
0x0001	Event registration failed

### 7.1.1 L2CA\_ConnectInd Callback

This callback function includes the parameters for the address of the remote device that issued the connection request, the local CID representing the channel being requested, the Identifier contained in the request, and the PSM value the request is targeting.

### 7.1.2 L2CA\_ConfigInd Callback

This callback function includes the parameters indicating the local CID of the channel the request has been sent to, the outgoing MTU size (maximum packet that can be sent across the channel) and the flowspec describing the characteristics of the incoming data. All other channel parameters are set to their default values if not provided by the remote device.

### 7.1.3 L2CA\_DisconnectInd Callback

This callback function includes the parameter indicating the local CID the request has been sent to.

### 7.1.4 L2CA\_QoSViolationInd Callback

This callback function includes the parameter indicating the address of the remote Bluetooth device where the QoS contract has been violated.

## 7.2 CONNECT

Service	Input Parameters	Output Parameters
L2CA_ConnectReq	PSM, BD_ADDR	LCID, Result, Status

### Description:

This primitive initiates the sending of an L2CA\_ConnectReq message and blocks until a corresponding L2CA\_ConnectCfm(Neg) or L2CA\_TimeOutInd message is received.

The use of this primitive requests the creation of a channel representing a logical connection to a physical address. Input parameters are the target protocol (*PSM*) and remote device's 48-bit address (*BD\_ADDR*). Output parameters are the local CID (*LCID*) allocated by the local L2CAP entity, and *Result* of the request. If the *Result* indicates success, the *LCID* value contains the identification of the local endpoint. Otherwise the *LCID* returned should be set to 0. If *Result* indicates a pending notification, the *Status* value may contain more information of what processing is delaying the establishment of the connection. Otherwise the *Status* value should be ignored.



**Input Parameters:**

*PSM* *Type: uint* *Size: 2 octets*

Value	Description
0xXXXX	Target PSM provided for the connection

*BD\_ADDR* *Type: unit* *Size: 6 octets*

Value	Description
0XXXXXXXXXXXXX	Unique Bluetooth address of target device

**Output Parameters:**

*LCID* *Type: uint* *Size: 2 octets*

Value	Description
0xXXXX	Channel ID representing local end-point of the communication channel if Result = 0x0000, otherwise set to 0.

*Result* *Type: uint* *Size: 2 octets*

Value	Description
0x0000	Connection successful and the CID identifies the local endpoint. Ignore Status parameter
0x0001	Connection pending. Check Status parameter for more information
0x0002	Connection refused because no service for the PSM has been registered
0x0003	Connection refused because the security architecture on the remote side has denied the request
0xEEEE	Connection timeout occurred. This is a result of a timer expiration indication being included in the connection confirm message

*Status* *Type: uint* *Size: 2 octets*

Value	Description
0x0000	No further information
0x0001	Authentication pending
0x0002	Authorization pending

### 7.3 CONNECT RESPONSE

Service	Input Parameters	Output Parameters
L2CA_ConnectRsp	BD_ADDR, Identifier, LCID, Response, Status	Result

**Description:**

This primitive represents the L2CA\_ConnectRsp.

The use of this primitive issues a response to a connection request event indication. Input parameters are the remote device's 48-bit address, Identifier sent in the request, local CID, the Response code, and the Status attached to the Response code. The output parameter is the Result of the service request.

This primitive must be called no more than once after receiving the callback indication. This primitive returns once the local L2CAP entity has validated the request. A successful return does indicate the response has been sent over the air interface.

**Input Parameters:**

*BD\_ADDR* *Type: uint* *Size: 6 octets*

Value	Description
0XXXXXXXXXXXXX	Unique Bluetooth address of target device

*Identifier* *Type: uint* *Size: 1 octets*

Value	Description
0xXX.	This value must match the value received in the L2CA_ConnectInd event described in <a href="#">Section 7.1.1 on page 296</a>

*LCID* *Type: uint* *Size: 2 octets*

Value	Description
0XXXX	Channel ID representing local end-point of the communication channel

*Response* *Type: uint* *Size: 2 octets*

Value	Description
0x0000	Connection successful
0x0001	Connection pending
0x0002	Connection refused – PSM not supported
0x0003	Connection refused – security block
0x0004	Connection refused – no resources available
0XXXX	Other connection response code

*Status* *Type: uint* *Size: 2 octets*

Value	Description
0x0000	No further information available
0x0001	Authentication pending
0x0002	Authorization pending
0xFFFF	Other status code

**Output Parameters:**

*Result* *Type: uint* *Size: 2 octets*

Value	Description
0x0000	Response successfully sent
0x0001	Failure to match any outstanding connection request

**7.4 CONFIGURE**

Service	Input Parameters	Output Parameters
L2CA_ConfigReq	CID, InMTU, OutFlow, OutFlushTO, LinkTO	Result, InMTU, OutFlow, OutFlushTO

**Description:**

This primitive initiates the sending of an L2CA\_ConfigReq message and blocks until a corresponding L2CA\_ConfigCfm(Neg) or L2CA\_TimeOutInd message is received.

The use of this primitive requests the initial configuration (or reconfiguration) of a channel to a new set of channel parameters. Input parameters are the local CID endpoint, new incoming receivable MTU (InMTU), new outgoing flow specification, and flush and link timeouts. Output parameters composing the L2CA\_ConfigCfm(Neg) message are the Result, accepted incoming MTU(InMTU), the remote side’s flow requests, and flush and link timeouts. Note that the output results are returned only after the local L2CAP entity transitions out of the CONFIG state (even if this transition is back to the CONFIG state).

**Input Parameters:**

*CID* *Type: uint* *Size: 2 octets*

Value	Description
0xFFFF	Local CID

*InMTU*

Type: *uint*

Size: 2 octets

Value	Description
0xXXXX	Maximum transmission unit this channel can accept

*OutFlow*

Type: *Flow*

Size: *x octets*

Value	Description
flowspec	Quality of service parameters dealing with the traffic characteristics of the outgoing data flow

*OutFlushTO*

Size 2 octets

Value	Description
0xXXXX	Number of milliseconds to wait before an L2CAP packet that cannot be acknowledged at the physical layer is dropped
0x0000	Request to use the existing flush timeout value if one exists, otherwise the default value (0xFFFF) will be used
0x0001	Perform no retransmissions at the Baseband layer
0xFFFF	Perform retransmission at the Baseband layer until the link timeout terminates the channel

*LinkTO*

Size 2 octets

Value	Description
0xXXXX	Number of milliseconds to wait before terminating an unresponsive link

**Output Parameters:**

*Result*

Size 2 octets

Value	Description
0x0000	Configuration is successful. Parameters contain agreed upon values
0x0001	Failure – invalid CID
0x0002	Failure – unacceptable parameters
0x0003	Failure – signalling MTU exceeded
0x0004	Failure – unknown options
0xEEEE	Configuration timeout occurred. This is a result of a timer expiration indication being included in the configuration confirm

*InMTU*

Size 2 octets

Value	Description
0xXXXX	Maximum transmission unit that the remote unit will send across this channel (maybe less or equal to the InMTU input parameter).

**OutFlow***Size 2 octets*

Value	Description
FlowSpec	Quality of service parameters dealing with the traffic characteristics of the agreed-upon outgoing data flow if Result is successful. Otherwise this represents the requested Quality of Service

**OutFlushTO***Size 2 octets*

Value	Description
0xXXXX	Number of milliseconds before an L2CAP packet that cannot be acknowledged at the physical layer is dropped. This value is informative of the actual value that will be used for outgoing packets. It may be less or equal to the OutFlushTO parameter given as input.

**7.5 CONFIGURATION RESPONSE**

Service	Input Parameters	Output Parameters
L2CA_ConfigRsp	CID, OutMTU, InFlow	Result

**Description:**

This primitive represents the L2CAP\_ConfigRsp.

The use of this primitive issues a response to a configuration request event indication. Input parameters include the local CID of the endpoint being configured, outgoing transmit MTU (which may be equal or less to the OutMTU parameter in the L2CA\_ConfigInd event) and the accepted flowspec for incoming traffic. The output parameter is the Result value.

**Input Parameters:**

**LCID** *Type: uint* *Size: 2 octets*

Value	Description
0xXXXX	Local channel identifier

**OutMTU** *Type: uint* *Size: 2 octets*

Value	Description
0xXXXX	Maximum transmission unit this channel will send

**InFlow** *Type: Flow* *Size: x octets*

Value	Description
FlowSpec	Quality of service parameters dealing with the traffic characteristics of the incoming data flow

**Output Parameters:**

*Result*

*Size 2 octets*

Value	Description
0x0000	Configuration is successful. Parameters contain agreed upon values
0x0001	Configuration failed – unacceptable parameters
0x0002	Configuration failed – rejected
0x0003	Configuration failed – invalid CID
0x0004	Configuration failed – unknown options
0xFFFF	Reserved

**7.6 DISCONNECT**

Service	Input Parameters	Output Parameters
L2CA_DisconnectReq	CID	Result

**Description:**

This primitive represents the L2CAP\_DisconnectReq and the returned output parameters represent the corresponding L2CAP\_DisconnectRsp or the RTX timer expiration.

The use of this primitive requests the disconnection of the channel. Input parameter is the *CID* representing the local channel endpoint. Output parameter is *Result*. *Result* is zero if a L2CAP\_DisconnectRsp is received, otherwise a non-zero value is returned. Once disconnection has been requested, no process will be able to successfully read or write from the CID. Writes in progress should continue to be processed.

**Input Parameters:**

*CID*

*Type: uint*

*Size: 2 octets*

Value	Description
0xFFFF	Channel ID representing local end-point of the communication channel

**Output Parameters:**

*Result*

*Type: uint*

*Size: 2 octets*

Value	Description
0x0000	Disconnection successful. This is a result of the receipt of a disconnection response message
0xEEEE	Disconnection timeout occurred.

## 7.7 WRITE

Service	Input Parameters	Output Parameters
L2CA_DataWrite	CID, Length, OutBuffer	Size, Result

### Description:

The use of this primitive requests the transfer of data across the channel. If the length of the data exceeds the OutMTU then only the first OutMTU bytes are sent This command may be used for both connection-oriented and connection-less traffic.

### Input Parameters:

*CID* *Type: uint* *Size: 2 octets*

Value	Description
0xXXXX	Channel ID representing local end-point of the communication channel

*Length* *Type: uint* *Size: 2 octets*

Value	Description
0xXXXX	Size, in bytes, of the buffer where data to be transmitted are stored

*OutBuffer* *Type: pointer* *Size: N/A*

Value	Description
N/A	Address of the input buffer used to store the message

### Output Parameters:

*Size* *Type: uint* *Size: 2 octets*

Value	Description
0xXXXX	The number of bytes transferred

*Result* *Type: uint* *Size: 2 octets*

Value	Description
0x0000	Successful write
0x0001	Error – Flush timeout expired
0x0002	Error – Link termination (perhaps this should be left to the indication)

## 7.8 READ

Service	Input Parameters	Output Parameters
L2CA_DataRead	CID, Length, InBuffer	Result, N

### Description:

The use of this primitive requests for the reception of data. This request returns when data is available or the link is terminated. The data returned represents a single L2CAP payload. If not enough data is available, the command will block until the data arrives or the link is terminated. If the payload is bigger than the buffer, only the portion of the payload that fits into the buffer will be returned, and the remainder of the payload will be discarded. This command may be used for both connection-oriented and connectionless traffic.

### Input Parameters:

*CID* *Type: uint* *Size: 2 octets*

Value	Description
0xXXXX	CID

*Length* *Type: uint* *Size: 2 octets*

Value	Description
0xXXXX	Size, in bytes, of the buffer where received data are to be stored

*InBuffer* *Type: pointer* *Size: N/A*

Value	Description
N/A	Address of the buffer used to store the message

### Output parameters:

*Result*

Value	Description
0x0000	Success

*N* *Type: uint* *Size: 2 octets*

Value	Description
0xXXXX	Number of bytes transferred to InBuffer



## 7.9 GROUP CREATE

Service	Input Parameters	Output Parameters
L2CA_GroupCreate	PSM	CID

### Description:

The use of this primitive requests the creation of a CID to represent a logical connection to multiple devices. Input parameter is the *PSM* value that the outgoing connectionless traffic is labelled with, and the filter used for incoming traffic. Output parameter is the *CID* representing the local endpoint. On creation, the group is empty but incoming traffic destined for the *PSM* value is readable.

### Input Parameters:

*PSM* *Type: uint* *Size: 2 octets*

Value	Description
0xXXXX	Protocol/service multiplexer value

### Output Parameters:

*CID* *Type: uint* *Size: 2 octets*

Value	Description
0xXXXX	Channel ID representing local end-point of the communication channel

## 7.10 GROUP CLOSE

Service	Input Parameters	Output Parameters
L2CA_GroupClose	CID	Result

### Description:

The use of this primitive closes down a Group.

### Input Parameters:

*CID* *Type: uint* *Size: 2 octets*

Value	Description
0xXXXX	Channel ID representing local end-point of the communication channel

**Output Parameters:**

*Result* *Type: uint* *Size: 2 octets*

Value	Description
0x0000	Successful closure of the channel
0x0001	Invalid CID

**7.11 GROUP ADD MEMBER**

Service	Input Parameters	Output Parameters
L2CA_GroupAddMember	CID, BD_ADDR	Result

**Description:**

The use of this primitive requests the addition of a member to a group. The input parameter includes the CID representing the group and the BD\_ADDR of the group member to be added. The output parameter Result confirms the success or failure of the request.

**Input Parameters:**

*CID* *Type: uint* *Size: 2 octets*

Value	Description
0XXXXX	Channel ID representing local end-point of the communication channel

*BD\_ADDR* *Type: uint* *Size: 6 octets*

Value	Description
0XXXXXXXXXXXXX	Remote device address

**Output Parameters:**

*Result* *Type: uint* *Size: 2 octets*

Value	Description
0x0000	Success
0x0001	Failure to establish connection to remote device
Other	Reserved

## 7.12 GROUP REMOVE MEMBER

Service	Input Parameters	Output Parameters
L2CA_GroupRemoveMember	CID, BD_ADDR	Result

### Description:

The use of this primitive requests the removal of a member from a group. The input parameters include the CID representing the group and BD\_ADDR of the group member to be removed. The output parameter Result confirms the success or failure of the request.

### Input Parameters:

*CID* *Type: uint* *Size: 2 octets*

Value	Description
0xXXXX	Channel ID representing local end-point of the communication channel

*BD\_ADDR* *Type: uint* *Size: 6 octets*

Value	Description
0XXXXXXXXXXXXX	Unique Bluetooth address device to be removed

### Output Parameters:

*Result* *Type: uint* *Size: 2 octets*

Value	Description
0x0000	Success
0x0001	Failure – device not a member of the group
Other	Reserved

### 7.13 GET GROUP MEMBERSHIP

Service	Input Parameters	Output Parameters
L2CA_GroupMembership	CID	Result, N, BD_ADDR_List

**Description:**

The use of this primitive requests a report of the members of a group. The input parameter CID represents the group being queried. The output parameter Result confirms the success or failure of the operation. If the Result is successful, BD\_ADDR\_List is a list of the Bluetooth addresses of the N members of the group.

**Input Parameters:**

*CID* *Type: uint* *Size: 2 octets*

Value	Description
0XXXXX	Channel ID representing local end-point of the communication channel

**Output Parameters:**

*Result* *Type: uint* *Size: 2 octets*

Value	Description
0x0000	Success
0x0001	Failure – group does not exist
Other	Reserved

*N* *Type: uint* *Size: 2 octets*

Value	Description
0x0000-0xFFFF	The number of devices in the group identified by the channel end-point CID. If Result indicates failure, N should be set to 0

*BD\_ADDR\_List* *Type: pointer* *Size: N/A*

Value	Description
0XXXXXXXXXXXXX	List of N unique Bluetooth addresses of the devices in the group identified by the channel end-point CID. If Result indicates failure, the all-zero address is the only address that should be returned

### 7.14 PING

Service	Input Parameters	Output Parameters
L2CA_Ping	BD_ADDR, ECHO_DATA, Length	Result, ECHO_DATA, Size

**Description:**

This primitive represents the initiation of an L2CA\_EchoReq command and the reception of the corresponding L2CA\_EchoRsp command.

**Input Parameters:**

*BD\_ADDR* *Type: uint* *Size: 6 octets*

Value	Description
0XXXXXXXXXXXXX	Unique Bluetooth address of target device.

*ECHO\_DATA* *Type: pointer* *Size: N/A*

Value	Description
N/A	The buffer containing the contents to be transmitted in the data payload of the Echo Request command.

*Length* *Type: uint* *Size: 2 octets*

Value	Description
0XXXXX	Size, in bytes, of the data in the buffer.

**Output Parameters:**

*Result* *Type: uint* *Size: 2 octets*

Value	Description
0x0000	Response received.
0x0001	Timeout occurred.

*ECHO\_DATA* *Type: pointer* *Size: N/A*

Value	Description
N/A	The buffer containing the contents received in the data payload of the Echo Response command.

*Size* *Type: uint* *Size: 2 octets*

Value	Description
0XXXXX	Size, in bytes, of the data in the buffer.

## 7.15 GETINFO

Service	Input Parameters	Output Parameters
L2CA_GetInfo	BD_ADDR, InfoType	Result, InfoData, Size

### Description:

This primitive represents the initiation of an L2CA\_InfoReq command and the reception of the corresponding L2CA\_InfoRsp command.

### Input Parameters:

*BD\_ADDR* *Type: uint* *Size: 6 octets*

Value	Description
0XXXXXXXXXXXXX	Unique Bluetooth address of target device

*InfoType* *Type: uint* *Size: 2 octets*

Value	Description
0x0001	Maximum connectionless MTU size

### Output Parameters:

*Result* *Type: uint* *Size: 2 octets*

Value	Description
0x0000	Response received
0x0001	Not supported
0x0002	Informational PDU rejected, not supported by remote device
0x0003	Timeout occurred

*InfoData* *Type: pointer* *Size: N/A*

Value	Description
N/A	The buffer containing the contents received in the data payload of the Information Response command.

*Size* *Type: uint* *Size: 2 octets*

Value	Description
0XXXXX	Size, in bytes, of the data in the InfoData buffer.

## 7.16 DISABLE CONNECTIONLESS TRAFFIC

Service	Input Parameters	Output Parameters
L2CA_DisableCLT	PSM	Result

### Description:

General request to disable the reception of connectionless packets. The input parameter is the *PSM* value indicating service that should be blocked. This command may be used to incrementally disable a set of PSM values. The use of the 'invalid' PSM 0x0000 blocks all connectionless traffic. The output parameter *Result* indicates the success or failure of the command. A limited device might support only general blocking rather than PSM-specific blocks and would fail to block a single non-zero PSM value.

### Input Parameters:

*PSM* *Type: uint* *Size: 2 octets*

Value	Description
0x0000	Block all connectionless traffic
0xXXXX	Protocol/Service Multiplexer field to be blocked

### Output Parameters:

*Result* *Type: uint* *Size: 2 octets*

Value	Description
0x0000	Successful
0x0001	Failure – not supported

### 7.17 ENABLE CONNECTIONLESS TRAFFIC

Service	Input Parameters	Output Parameters
L2CA_EnableCLT	PSM	Result

**Description:**

General request to enable the reception of connectionless packets. The input parameter is the *PSM* value indicating the service that should be unblocked. This command may be used to incrementally enable a set of PSM values. The use of the 'invalid' PSM 0x0000 enables all connectionless traffic. The output parameter *Result* indicates the success or failure of the command. A limited device might support only general enabling rather than PSM-specific filters, and would fail to enable a single non-zero PSM value.

**Input Parameters:**

*PSM* *Type: uint* *Size: 2 octets*

Value	Description
0x0000	Enable all connectionless traffic
0xXXXX	Protocol/Service Multiplexer field to enable

**Output Parameters:**

*Result* *Type: uint* *Size: 2 octets*

Value	Description
0x0000	Successful
0x0001	Failure – not supported



## 8 SUMMARY

---

The Logical Link Control and Adaptation Protocol (L2CAP) is one of two link level protocols running over the Baseband. L2CAP is responsible for higher level protocol multiplexing, MTU abstraction, group management, and conveying quality of service information to the link level.

Protocol multiplexing is supported by defining channels. Each channel is bound to a single protocol in a many-to-one fashion. Multiple channels can be bound to the same protocol, but a channel cannot be bound to multiple protocols. Each L2CAP packet received on a channel is directed to the appropriate higher level protocol.

L2CAP abstracts the variable-sized packets used by the Baseband Protocol ([page 33](#)). It supports large packet sizes up to 64 kilobytes using a low-overhead segmentation-and-reassembly mechanism.

Group management provides the abstraction of a group of units allowing more efficient mapping between groups and members of the Bluetooth piconet. Group communication is connectionless and unreliable. When composed of only a pair of units, groups provide connectionless channel alternative to L2CAP's connection-oriented channel.

L2CAP conveys QoS information across channels and provides some admission control to prevent additional channels from violating existing QoS contracts.

---

## 9 REFERENCES

---

- [1] Internet Engineering Task Force, "A Proposed Flow Specification", RFC 1363, September 1992.

**10 LIST OF FIGURES**

Figure 1.1:	L2CAP within protocol layers .....	249
Figure 1.2:	ACL Payload Header for single-slot packets.....	250
Figure 1.3:	ACL Payload Header for multi-slot packets .....	250
Figure 1.4:	L2CAP in Bluetooth Protocol Architecture .....	251
Figure 2.1:	Channels between devices .....	254
Figure 2.2:	L2CAP Architecture.....	255
Figure 2.3:	L2CAP SAR Variables.....	255
Figure 2.4:	L2CAP segmentation .....	256
Figure 2.5:	Segmentation and Reassembly Services in a unit with an HCI .....	257
Figure 3.1:	L2CAP Layer Interactions .....	258
Figure 3.2:	MSC of Layer Interactions.....	259
Figure 3.3:	State Machine Example .....	270
Figure 3.4:	Message Sequence Chart of Basic Operation .....	271
Figure 4.1:	L2CAP Packet (field sizes in bits) .....	272
Figure 4.2:	Connectionless Packet.....	273
Figure 5.1:	Signalling Command Packet Format.....	275
Figure 5.2:	Command format .....	275
Figure 5.3:	Command Reject Packet .....	277
Figure 5.4:	Connection Request Packet.....	278
Figure 5.5:	Connection Response Packet.....	279
Figure 5.6:	Configuration Request Packet .....	281
Figure 5.7:	Configuration Request Flags field format.....	281
Figure 5.8:	Configuration Response Packet.....	283
Figure 5.9:	Configuration Response Flags field format .....	283
Figure 5.10:	Disconnection Request Packet .....	285
Figure 5.11:	Disconnection Response Packet .....	286
Figure 5.12:	Echo Request Packet .....	286
Figure 5.13:	Echo Response Packet.....	287
Figure 5.14:	Information Request Packet.....	287
Figure 5.15:	Information Response Packet.....	288
Figure 6.1:	Configuration option format.....	289
Figure 6.2:	MTU Option Format .....	290
Figure 6.3:	Flush Timeout .....	290
Figure 6.4:	Quality of Service Flow Specification .....	291
Figure 6.5:	Configuration State Machine.....	294
Figure I	Basic MTU exchange .....	318
Figure II	Dealing with Unknown Options .....	319
Figure III	Unsuccessful Configuration Request .....	320

## 11 LIST OF TABLES

Table 1.1:	Logical channel L_CH field contents .....	250
Table 2.1:	CID Definitions .....	253
Table 2.2:	Types of Channel Identifiers .....	254
Table 3.1:	L2CAP Channel State Machine .....	267
Table 5.1:	Signalling Command Codes .....	276
Table 5.2:	Reason Code Descriptions .....	277
Table 5.3:	Reason Data values .....	278
Table 5.4:	Defined PSM Values .....	278
Table 5.5:	Result values .....	280
Table 5.6:	Status values .....	280
Table 5.7:	Configuration Response Result codes .....	284
Table 5.8:	InfoType definitions .....	287
Table 5.9:	Information Response Result values .....	288
Table 5.10:	Information Response Data fields.....	288
Table 6.1:	Service type definitions.....	292
Table 6.2:	Parameters allowed in Request.....	293
Table 6.3:	Parameters allowed in Response .....	294
Table I	Result of Second Link Timeout Request .....	322
Table II	Result of Second Flush Timeout Request .....	322

## TERMS AND ABBREVIATIONS

---

Baseband	Baseband Protocol
IETF	Internet Engineering Task Force
IP	Internet Protocol
IrDA	Infra-red Data Association
L_CH	Logical Channel
LC	Link Controller
LM	Link Manager
LMP	Link Manager Protocol
MTU	Maximum Transmission Unit
PPP	Point-to-Point Protocol
Reliable	Characteristic of an L2CAP channel that has an infinite flush timeout
RFC	Request For Comments
SAR	Segmentation and Reassembly

## APPENDIX A: CONFIGURATION MSCs

The examples in this appendix describe a sample of the multiple possible configuration scenarios that might occur. Currently, these are provided as suggestions and may change in the next update of the Specification.

Figure I illustrates the basic configuration process. In this example, the devices exchange MTU information. All other values are assumed to be default.

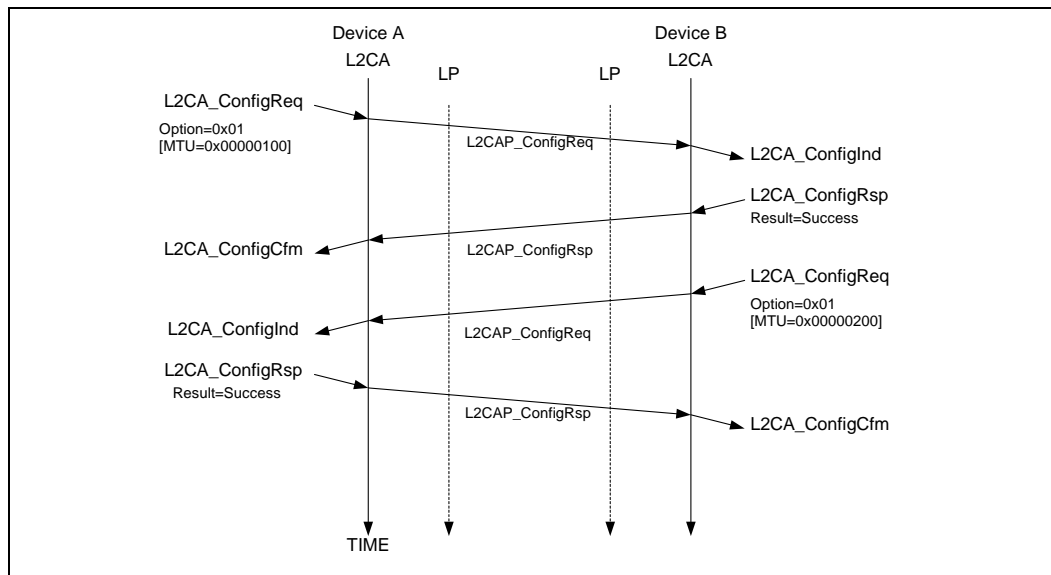


Figure I: Basic MTU exchange

Figure II on page 319 illustrates how two devices interoperate even though one device supports more options than the other does. Device A is an upgraded version. It uses a hypothetically defined option type 0x20 for link-level security. Device B rejects the command using the Configuration Response packet with result 'unknown parameter' informing Device A that option 0x20 is not understood. Device A then resends the request omitting option 0x20. Device B notices that it does not need to such a large MTU and accepts the request but includes in the response the MTU option informing Device A that Device B will not send an L2CAP packet with a payload larger than 0x80 octets over this channel. On receipt of the response, Device A could reduce the buffer allocated to hold incoming traffic.

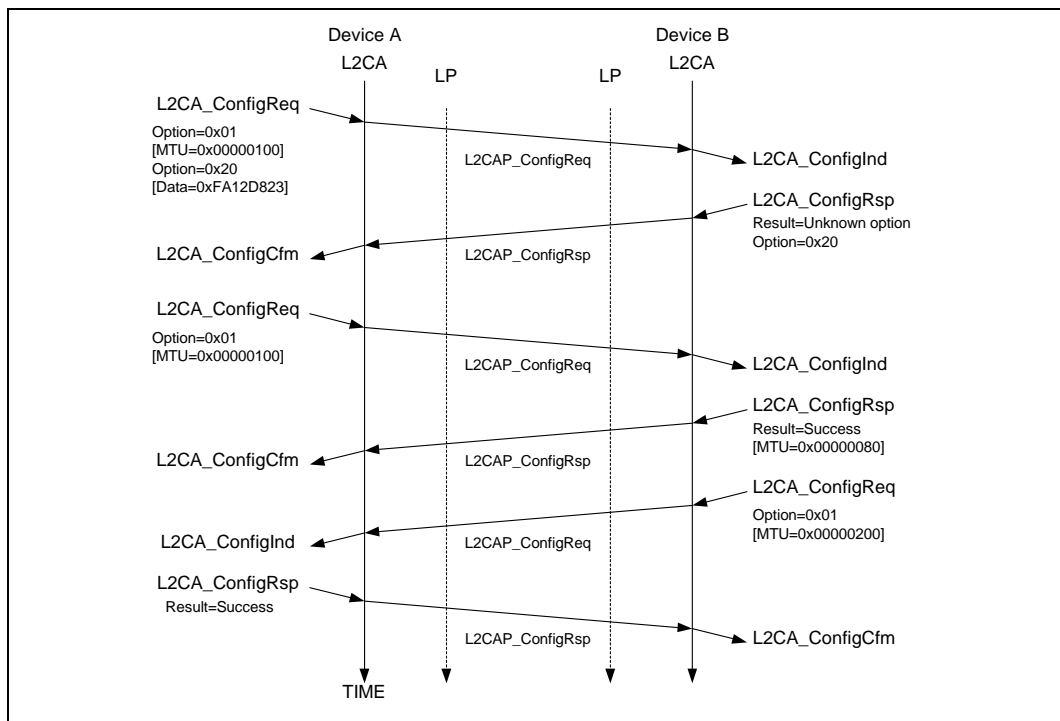


Figure II: Dealing with Unknown Options

Figure III on page 320 illustrates an unsuccessful configuration request. There are two problems described by this example. The first problem is that the configuration request is placed in an L2CAP packet that cannot be accepted by the remote device, due to its size. The remote device informs the sender of this problem using the Command Reject message. Device A then resends the configuration options using two smaller L2CAP\_ConfigReq messages.

The second problem is an attempt to configure a channel with an invalid CID. For example device B may not have an open connection on that CID (0x01234567 in this example case).

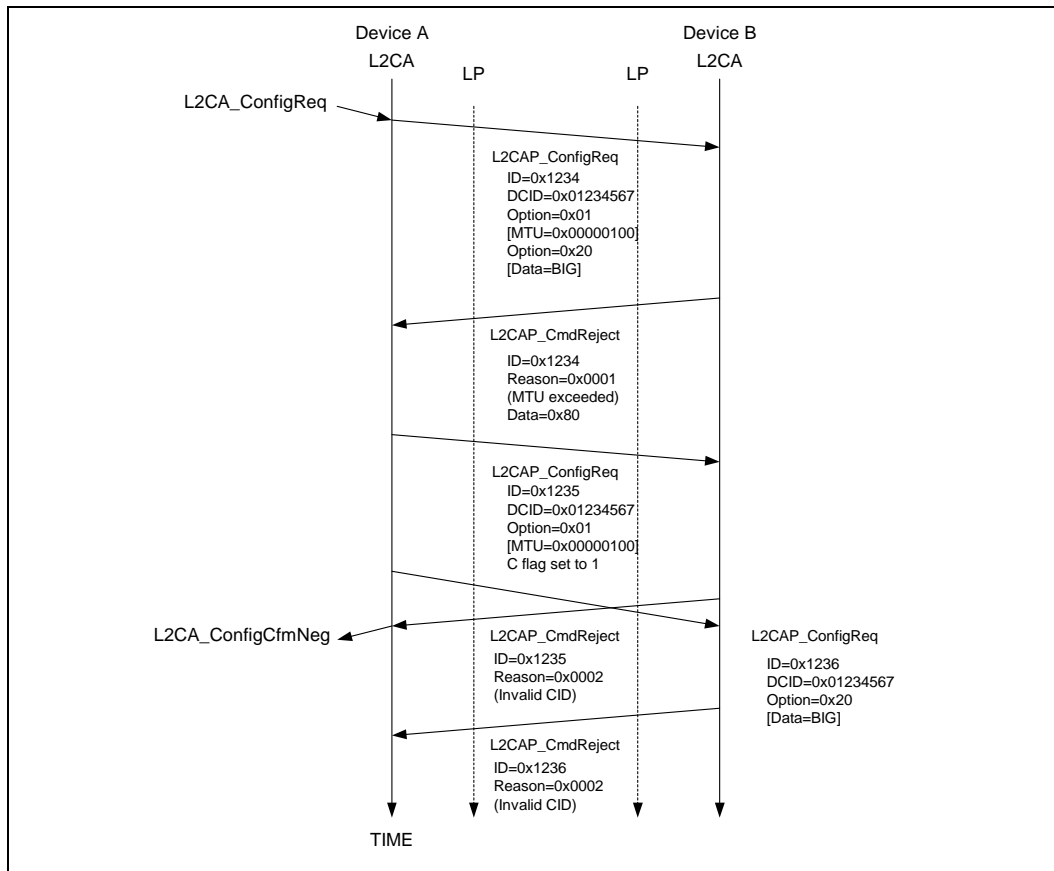


Figure III: Unsuccessful Configuration Request



---

## **APPENDIX B: IMPLEMENTATION GUIDELINES**

---

This section contains some guidelines for implementations. These guidelines are not part of the compliance tests. At the moment they are simply suggestions on how to solve some difficult problems.

### **RTX TIMER**

Implementations should not start this timer on an L2CAP Connection Request packet unless the physical link has been established. Otherwise the Baseband paging mechanism might increase the cost of the request beyond that of the minimal timeout value. If an implementation performs some form of security check it is recommended that the connection pending response be sent back prior to any consultation with a security manager that might perform Baseband authentication commands. If any security check requires user interaction, the link might timeout waiting for the user to enter a PIN.

### **QOS MAPPING TO LM AND L2CAP IMPLEMENTATIONS**

#### **Token Rate**

The Link Manager (LM) should ensure data is removed from the transmission buffer at this rate. The LM should ensure the polling interval is fast enough to support this data rate. The polling interval should be adjusted if the packet type changes. If the buffer overflows, and the service type is Guaranteed, a QoS violation should be reported. If the service type is Best Effort, and a Token Rate was non-zero, a QoS violation should also be reported.

Given a Token Rate of 0xFFFFFFFF, and Service Type of Guaranteed, the LM should refuse any additional connections from remote devices and disable all periodic scans.

#### **Token Bucket Size**

L2CAP implementations should ensure that a buffer meeting the size request is allocated for the channel. If no buffer is available, and the service type is Guaranteed, the request should be rejected. If no appropriately sized buffer is available, and the service type is Best Effort, the largest available buffer should be allocated.

#### **Peak Bandwidth**

If the token bucket buffer overflows, a QoS violation should be raised.

## Latency

The LM should ensure the polling interval is at least this value. If the polling interval necessary to support the token rate is less than this value, the smaller interval should be used. If this interval cannot be supported, a QoS violation should be raised.

## Delay Variation

The LM may ignore this value because there is no clear mapping between L2CAP packet delays and the necessary polling interval without requiring the LM to comprehend the length field in L2CAP packets.

## COLLISION TABLES

Current Value	Requested Value	Result
X	X	X
X	Y	If $(X < Y)$ then X, else Y

Table I: Result of Second Link Timeout Request

Current Value	Requested Value	Result
N	0	N
N	N	N
N	$M \neq N$	Reject

Table II: Result of Second Flush Timeout Request

## Part E

# **SERVICE DISCOVERY PROTOCOL (SDP)**



**This specification defines a protocol for locating services provided by or available through a Bluetooth device.**



**CONTENTS**

<b>1</b>	<b>Introduction .....</b>	<b>327</b>
1.1	General Description .....	327
1.2	Motivation.....	327
1.3	Requirements.....	327
1.4	Non-requirements and Deferred Requirements.....	328
1.5	Conventions .....	329
1.5.1	Bit And Byte Ordering Conventions.....	329
<b>2</b>	<b>Overview .....</b>	<b>330</b>
2.1	SDP Client-Server Interaction .....	330
2.2	Service Record.....	332
2.3	Service Attribute.....	334
2.4	Attribute ID .....	335
2.5	Attribute Value.....	335
2.6	Service Class .....	336
2.6.1	A Printer Service Class Example .....	336
2.7	Searching for Services.....	337
2.7.1	UUID.....	337
2.7.2	Service Search Patterns.....	338
2.8	Browsing for Services .....	338
2.8.1	Example Service Browsing Hierarchy .....	339
<b>3</b>	<b>Data Representation .....</b>	<b>341</b>
3.1	Data Element .....	341
3.2	Data Element Type Descriptor .....	341
3.3	Data Element Size Descriptor .....	342
3.4	Data Element Examples.....	343
<b>4</b>	<b>Protocol Description.....</b>	<b>344</b>
4.1	Transfer Byte Order .....	344
4.2	Protocol Data Unit Format.....	344
4.3	Partial Responses and Continuation State .....	346
4.4	Error Handling.....	346
4.4.1	SDP_ErrorResponse PDU .....	347
4.5	ServiceSearch Transaction .....	348
4.5.1	SDP_ServiceSearchRequest PDU.....	348
4.5.2	SDP_ServiceSearchResponse PDU.....	349
4.6	ServiceAttribute Transaction .....	351
4.6.1	SDP_ServiceAttributeRequest PDU.....	351
4.6.2	SDP_ServiceAttributeResponse PDU.....	352

4.7	ServiceSearchAttribute Transaction .....	354
4.7.1	SDP_ServiceSearchAttributeRequest PDU .....	354
4.7.2	SDP_ServiceSearchAttributeResponse PDU .....	356
<b>5</b>	<b>Service Attribute Definitions.....</b>	<b>358</b>
5.1	Universal Attribute Definitions.....	358
5.1.1	ServiceRecordHandle Attribute.....	358
5.1.2	ServiceClassIDList Attribute.....	359
5.1.3	ServiceRecordState Attribute.....	359
5.1.4	ServiceID Attribute .....	359
5.1.5	ProtocolDescriptorList Attribute.....	360
5.1.6	BrowseGroupList Attribute .....	361
5.1.7	LanguageBaseAttributeIDList Attribute .....	361
5.1.8	ServiceInfoTimeToLive Attribute .....	362
5.1.9	ServiceAvailability Attribute.....	363
5.1.10	BluetoothProfileDescriptorList Attribute .....	363
5.1.11	DocumentationURL Attribute .....	364
5.1.12	ClientExecutableURL Attribute.....	364
5.1.13	IconURL Attribute.....	365
5.1.14	ServiceName Attribute .....	365
5.1.15	ServiceDescription Attribute.....	366
5.1.16	ProviderName Attribute.....	366
5.1.17	Reserved Universal Attribute IDs.....	366
5.2	ServiceDiscoveryServer Service Class Attribute Definitions ...	367
5.2.1	ServiceRecordHandle Attribute.....	367
5.2.2	ServiceClassIDList Attribute.....	367
5.2.3	VersionNumberList Attribute .....	367
5.2.4	ServiceDatabaseState Attribute .....	368
5.2.5	Reserved Attribute IDs.....	368
5.3	BrowseGroupDescriptor Service Class Attribute Definitions ...	369
5.3.1	ServiceClassIDList Attribute.....	369
5.3.2	GroupID Attribute .....	369
5.3.3	Reserved Attribute IDs.....	369
	<b>Appendix A – Background Information .....</b>	<b>370</b>
	<b>Appendix B – Example SDP Transactions .....</b>	<b>371</b>

# 1 INTRODUCTION

---

## 1.1 GENERAL DESCRIPTION

The service discovery protocol (SDP) provides a means for applications to discover which services are available and to determine the characteristics of those available services.

## 1.2 MOTIVATION

Service Discovery in the Bluetooth environment, where the set of services that are available changes dynamically based on the RF proximity of devices in motion, is qualitatively different from service discovery in traditional network-based environments. The service discovery protocol defined in this specification is intended to address the unique characteristics of the Bluetooth environment. See [“Appendix A – Background Information,” on page 370](#), for further information on this topic.

## 1.3 REQUIREMENTS

The following capabilities have been identified as requirements for version 1.0 of the Service Discovery Protocol.

1. SDP shall provide the ability for clients to search for needed services based on specific attributes of those services.
2. SDP shall permit services to be discovered based on the class of service.
3. SDP shall enable browsing of services without a priori knowledge of the specific characteristics of those services.
4. SDP shall provide the means for the discovery of new services that become available when devices enter RF proximity with a client device as well as when a new service is made available on a device that is in RF proximity with the client device.
5. SDP shall provide a mechanism for determining when a service becomes unavailable when devices leave RF proximity with a client device as well as when a service is made unavailable on a device that is in RF proximity with the client device.
6. SDP shall provide for services, classes of services, and attributes of services to be uniquely identified.
7. SDP shall allow a client on one device to discover a service on another device without consulting a third device.
8. SDP should be suitable for use on devices of limited complexity.
9. SDP shall provide a mechanism to incrementally discover information about the services provided by a device. This is intended to minimize the quantity

of data that must be exchanged in order to determine that a particular service is not needed by a client.

10. SDP should support the caching of service discovery information by intermediary agents to improve the speed or efficiency of the discovery process.
11. SDP should be transport independent.
12. SDP shall function while using L2CAP as its transport protocol.
13. SDP shall permit the discovery and use of services that provide access to other service discovery protocols.
14. SDP shall support the creation and definition of new services without requiring registration with a central authority.

#### **1.4 NON-REQUIREMENTS AND DEFERRED REQUIREMENTS**

The Bluetooth SIG recognizes that the following capabilities are related to service discovery. These items are not addressed in SDP version 1.0. However, some may be addressed in future revisions of the specification.

1. SDP 1.0 does not provide access to services. It only provides access to information about services.
2. SDP 1.0 does not provide brokering of services.
3. SDP 1.0 does not provide for negotiation of service parameters.
4. SDP 1.0 does not provide for billing of service use.
5. SDP 1.0 does not provide the means for a client to control or change the operation of a service.
6. SDP 1.0 does not provide an event notification when services, or information about services, become unavailable.
7. SDP 1.0 does not provide an event notification when attributes of services are modified.
8. This specification does not define an application programming interface for SDP.
9. SDP 1.0 does not provide support for service agent functions such as service aggregation or service registration.



## 1.5 CONVENTIONS

### 1.5.1 Bit And Byte Ordering Conventions

When multiple bit fields are contained in a single byte and represented in a drawing in this specification, the more significant (high-order) bits are shown toward the left and less significant (low-order) bits toward the right.

Multiple-byte fields are drawn with the more significant bytes toward the left and the less significant bytes toward the right. Multiple-byte fields are transferred in network byte order. See [Section 4.1 Transfer Byte Order on page 344](#).

## 2 OVERVIEW

### 2.1 SDP CLIENT-SERVER INTERACTION

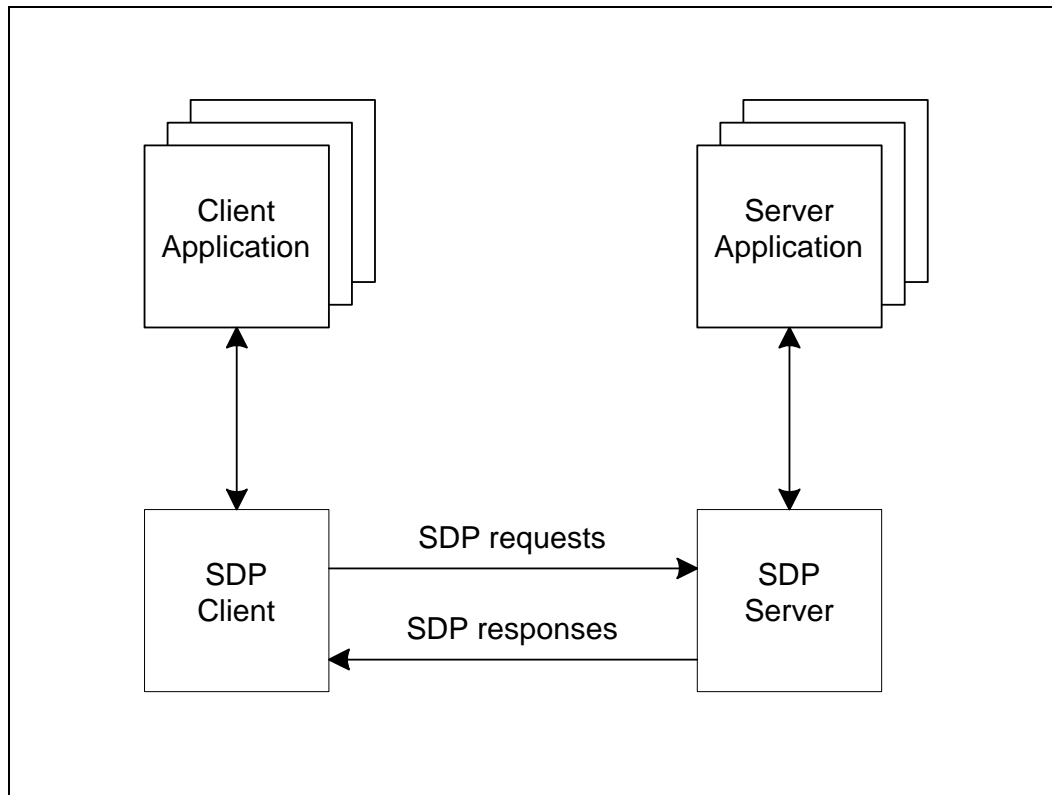


Figure 2.1:

The service discovery mechanism provides the means for client applications to discover the existence of services provided by server applications as well as the attributes of those services. The attributes of a service include the type or class of service offered and the mechanism or protocol information needed to utilize the service.

As far as the Service Discovery Protocol (SDP) is concerned, the configuration shown in Figure 1 may be simplified to that shown in Figure 2.

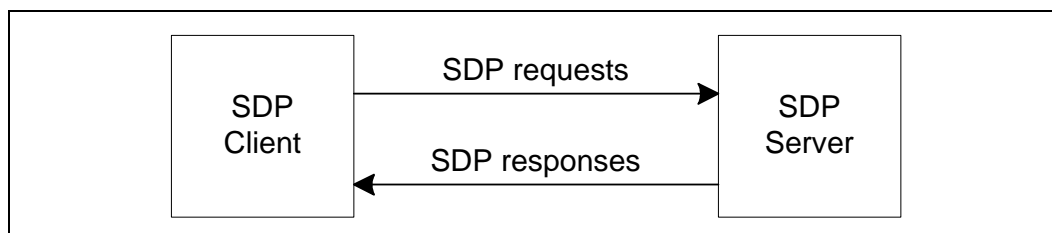


Figure 2.2:

SDP involves communication between an SDP server and an SDP client. The server maintains a list of service records that describe the characteristics of services associated with the server. Each service record contains information about a single service. A client may retrieve information from a service record maintained by the SDP server by issuing an SDP request.

If the client, or an application associated with the client, decides to use a service, it must open a separate connection to the service provider in order to utilize the service. SDP provides a mechanism for discovering services and their attributes (including associated service access protocols), but it does not provide a mechanism for utilizing those services (such as delivering the service access protocols).

There is a maximum of one SDP server per Bluetooth device. (If a Bluetooth device acts only as a client, it needs no SDP server.) A single Bluetooth device may function both as an SDP server and as an SDP client. If multiple applications on a device provide services, an SDP server may act on behalf of those service providers to handle requests for information about the services that they provide.

Similarly, multiple client applications may utilize an SDP client to query servers on behalf of the client applications.

The set of SDP servers that are available to an SDP client can change dynamically based on the RF proximity of the servers to the client. When a server becomes available, a potential client must be notified by a means other than SDP so that the client can use SDP to query the server about its services. Similarly, when a server leaves proximity or becomes unavailable for any reason, there is no explicit notification via the service discovery protocol. However, the client may use SDP to poll the server and may infer that the server is not available if it no longer responds to requests.

Additional information regarding application interaction with SDP is contained in the Bluetooth Service Discovery Profile document.

## 2.2 SERVICE RECORD

A service is any entity that can provide information, perform an action, or control a resource on behalf of another entity. A service may be implemented as software, hardware, or a combination of hardware and software.

All of the information about a service that is maintained by an SDP server is contained within a single service record. The service record consists entirely of a list of service attributes.

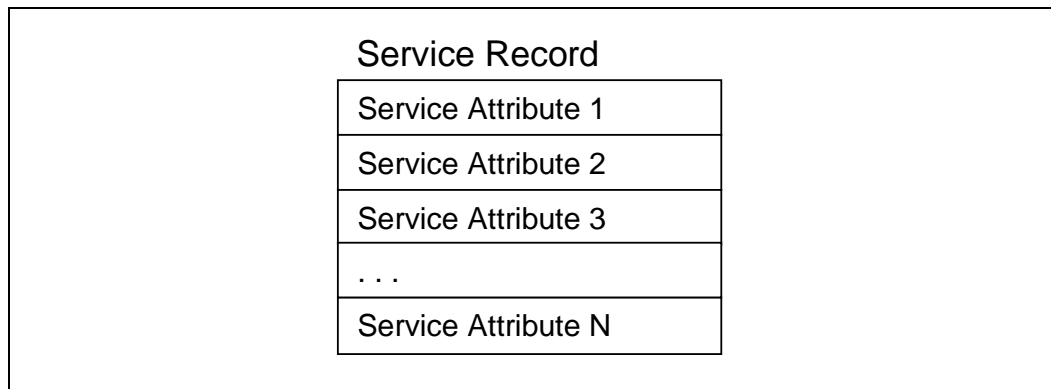


Figure 2.3: Service Record

A service record handle is a 32-bit number that uniquely identifies each service record within an SDP server. It is important to note that, in general, each handle is unique only within each SDP server. If SDP server S1 and SDP server S2 both contain identical service records (representing the same service), the service record handles used to reference these identical service records are completely independent. The handle used to reference the service on S1 will be meaningless if presented to S2.

The service discovery protocol does not provide a mechanism for notifying clients when service records are added to or removed from an SDP server. While an L2CAP (Logical Link Control and Adaptation Protocol) connection is established to a server, a service record handle acquired from the server will remain valid unless the service record it represents is removed. If a service is removed from the server, further requests to the server (during the L2CAP connection in which the service record handle was acquired) using the service's (now stale) record handle will result in an error response indicating an invalid service record handle. An SDP server must ensure that no service record handle values are re-used while an L2CAP connection remains established. Note that service record handles are known to remain valid across successive L2CAP connections while the ServiceDatabaseState attribute value remains unchanged. See the ServiceRecordState and ServiceDatabaseState attributes in [Section 5 Service Attribute Definitions on page 358](#).

There is one service record handle whose meaning is consistent across all SDP servers. This service record handle has the value 0x00000000 and is a

handle to the service record that represents the SDP server itself. This service record contains attributes for the SDP server and the protocol it supports. For example, one of its attributes is the list of SDP protocol versions supported by the server. Service record handle values 0x00000001-0x0000FFFF are reserved.

### 2.3 SERVICE ATTRIBUTE

Each service attribute describes a single characteristic of a service. Some examples of service attributes are:

ServiceClassIDList	Identifies the type of service represented by a service record. In other words, the list of classes of which the service is an instance
ServiceID	Uniquely identifies a specific instance of a service
ProtocolDescriptorList	Specifies the protocol stack(s) that may be used to utilize a service
ProviderName	The textual name of the individual or organization that provides a service
IconURL	Specifies a URL that refers to an icon image that may be used to represent a service
ServiceName	A text string containing a human-readable name for the service
ServiceDescription	A text string describing the service

See [Section 5.1 Universal Attribute Definitions on page 358](#), for attribute definitions that are common to all service records. Service providers can also define their own service attributes.

A service attribute consists of two components: an attribute ID and an attribute value.

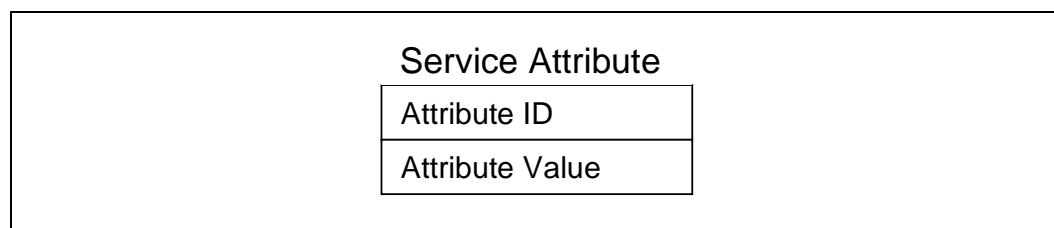


Figure 2.4: Service Attribute

## 2.4 ATTRIBUTE ID

An attribute ID is a 16-bit unsigned integer that distinguishes each service attribute from other service attributes within a service record. The attribute ID also identifies the semantics of the associated attribute value.

A service class definition specifies each of the attribute IDs for a service class and assigns a meaning to the attribute value associated with each attribute ID.

For example, assume that service class C specifies that the attribute value associated with attribute ID 12345 is a text string containing the date the service was created. Assume further that service A is an instance of service class C. If service A's service record contains a service attribute with an attribute ID of 12345, the attribute value must be a text string containing the date that service A was created. However, services that are not instances of service class C may assign a different meaning to attribute ID 12345.

All services belonging to a given service class assign the same meaning to each particular attribute ID. See [Section 2.6 Service Class on page 336](#).

In the Service Discovery Protocol, an attribute ID is often represented as a data element. See [Section 3 Data Representation on page 341](#).

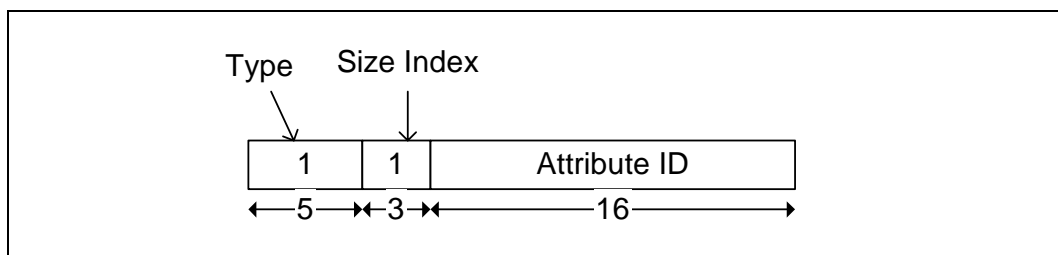


Figure 2.5:

## 2.5 ATTRIBUTE VALUE

The attribute value is a variable length field whose meaning is determined by the attribute ID associated with it and by the service class of the service record in which the attribute is contained. In the Service Discovery Protocol, an attribute value is represented as a data element. (See [Section 3 Data Representation on page 341](#).) Generally, any type of data element is permitted as an attribute value, subject to the constraints specified in the service class definition that assigns an attribute ID to the attribute and assigns a meaning to the attribute value. See [Section 5 Service Attribute Definitions on page 358](#), for attribute value examples.

## 2.6 SERVICE CLASS

Each service is an instance of a service class. The service class definition provides the definitions of all attributes contained in service records that represent instances of that class. Each attribute definition specifies the numeric value of the attribute ID, the intended use of the attribute value, and the format of the attribute value. A service record contains attributes that are specific to a service class as well as universal attributes that are common to all services.

Each service class is also assigned a unique identifier. This service class identifier is contained in the attribute value for the ServiceClassIDList attribute, and is represented as a UUID (see [Section 2.7.1 UUID on page 337](#)). Since the format and meanings of many attributes in a service record are dependent on the service class of the service record, the ServiceClassIDList attribute is very important. Its value should be examined or verified before any class-specific attributes are used. Since all of the attributes in a service record must conform to all of the service's classes, the service class identifiers contained in the ServiceClassIDList attribute are related. Typically, each service class is a subclass of another class whose identifier is contained in the list. A service subclass definition differs from its superclass in that the subclass contains additional attribute definitions that are specific to the subclass. The service class identifiers in the ServiceClassIDList attribute are listed in order from the most specific class to the most general class.

When a new service class is defined that is a subclass of an existing service class, the new service class retains all of the attributes defined in its superclass. Additional attributes will be defined that are specific to the new service class. In other words, the mechanism for adding new attributes to some of the instances of an existing service class is to create a new service class that is a subclass of the existing service class.

### 2.6.1 A Printer Service Class Example

A color postscript printer with duplex capability might conform to 4 Service-Class definitions and have a ServiceClassIDList with UUIDs (See [Section 2.7.1 UUID on page 337](#).) representing the following ServiceClasses:

```
DuplexColorPostscriptPrinterServiceClassID,  
ColorPostscriptPrinterServiceClassID,  
PostscriptPrinterServiceClassID,  
PrinterServiceClassID
```

Note that this example is only illustrative. This may not be a practical printer class hierarchy.



## 2.7 SEARCHING FOR SERVICES

Once an SDP client has a service record handle, it may easily request the values of specific attributes, but how does a client initially acquire a service record handle for the desired service records? The Service Search transaction allows a client to retrieve the service record handles for particular service records based on the values of attributes contained within those service records.

The capability search for service records based on the values of arbitrary attributes is not provided. Rather, the capability is provided to search only for attributes whose values are Universally Unique Identifiers<sup>1</sup> (UUIDs). Important attributes of services that can be used to search for a service are represented as UUIDs.

### 2.7.1 UUID

A UUID is a universally unique identifier that is guaranteed to be unique across all space and all time. UUIDs can be independently created in a distributed fashion. No central registry of assigned UUIDs is required. A UUID is a 128-bit value.

To reduce the burden of storing and transferring 128-bit UUID values, a range of UUID values has been pre-allocated for assignment to often-used, registered purposes. The first UUID in this pre-allocated range is known as the Bluetooth Base UUID and has the value 00000000-0000-1000-7007-00805F9B34FB, from the Bluetooth Assigned Numbers document. UUID values in the pre-allocated range have aliases that are represented as 16-bit or 32-bit values. These aliases are often called 16-bit and 32-bit UUIDs, but it is important to note that each actually represents a 128-bit UUID value.

The full 128-bit value of a 16-bit or 32-bit UUID may be computed by a simple arithmetic operation.

$$128\_bit\_value = 16\_bit\_value * 2^{96} + \text{Bluetooth\_Base\_UUID}$$

$$128\_bit\_value = 32\_bit\_value * 2^{96} + \text{Bluetooth\_Base\_UUID}$$

A 16-bit UUID may be converted to 32-bit UUID format by zero-extending the 16-bit value to 32-bits. An equivalent method is to add the 16-bit UUID value to a zero-valued 32-bit UUID.

Note that two 16-bit UUIDs may be compared directly, as may two 32-bit UUIDs or two 128-bit UUIDs. If two UUIDs of differing sizes are to be compared, the shorter UUID must be converted to the longer UUID format before comparison.

1. The format of UUIDs is defined by the International Organization for Standardization in ISO/IEC 11578:1996. "Information technology – Open Systems Interconnection – Remote Procedure Call (RPC)"

### 2.7.2 Service Search Patterns

A service search pattern is a list of UUIDs used to locate matching service records. A service search pattern is said to match a service record if each and every UUID in the service search pattern is contained within any of the service record's attribute values. The UUIDs need not be contained within any specific attributes or in any particular order within the service record. The service search pattern matches if the UUIDs it contains constitute a subset of the UUIDs in the service record's attribute values. The only time a service search pattern does not match a service record is if the service search pattern contains at least one UUID that is not contained within the service record's attribute values. Note also that a valid service search pattern must contain at least one UUID.

## 2.8 BROWSING FOR SERVICES

Normally, a client searches for services based on some desired characteristic(s) (represented by a UUID) of the services. However, there are times when it is desirable to discover which types of services are described by an SDP server's service records without any a priori information about the services. This process of looking for any offered services is termed browsing. In SDP, the mechanism for browsing for services is based on an attribute shared by all service classes. This attribute is called the BrowseGroupList attribute. The value of this attribute contains a list of UUIDs. Each UUID represents a browse group with which a service may be associated for the purpose of browsing.

When a client desires to browse an SDP server's services, it creates a service search pattern containing the UUID that represents the root browse group. All services that may be browsed at the top level are made members of the root browse group by having the root browse group's UUID as a value within the BrowseGroupList attribute.

Normally, if an SDP server has relatively few services, all of its services will be placed in the root browse group. However, the services offered by an SDP server may be organized in a browse group hierarchy, by defining additional browse groups below the root browse group. Each of these additional browse groups is described by a service record with a service class of BrowseGroupDescriptor.

A browse group descriptor service record defines a new browse group by means of its Group ID attribute. In order for a service contained in one of these newly defined browse groups to be browseable, the browse group descriptor service record that defines the new browse group must in turn be browseable. The hierarchy of browseable services that is provided by the use of browse group descriptor service records allows the services contained in an SDP server to be incrementally browsed and is particularly useful when the SDP server contains many service records.

### 2.8.1 Example Service Browsing Hierarchy

Here is a fictitious service browsing hierarchy that may illuminate the manner in which browse group descriptors are used. Browse group descriptor service records are identified with (G); other service records with (S).

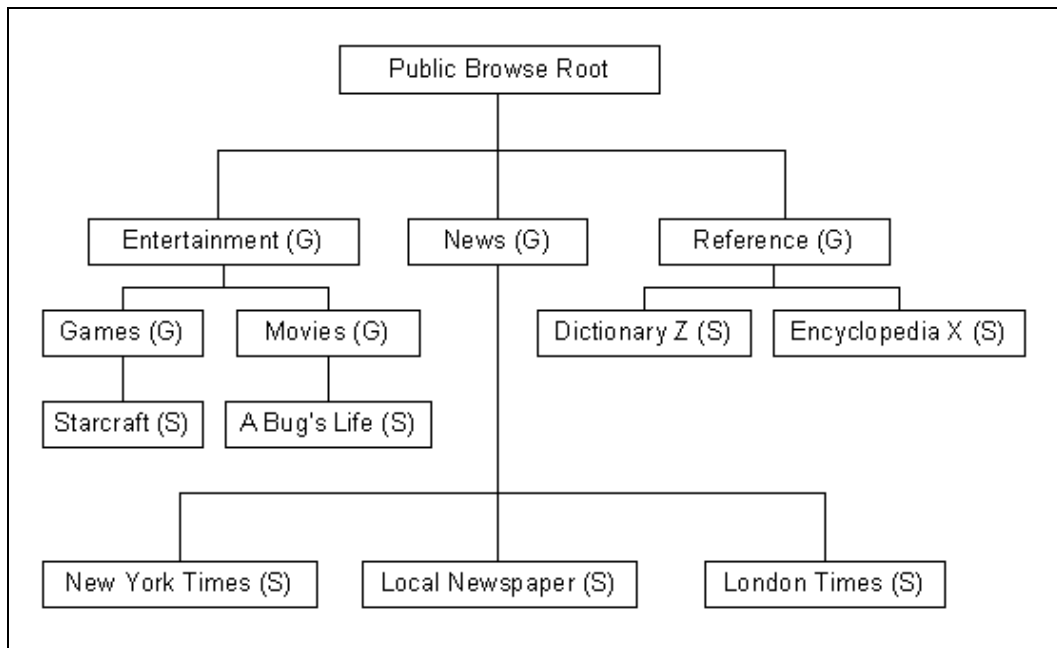


Figure 2.6:

This table shows the services records and service attributes necessary to implement the browse hierarchy.

Service Name	Service Class	Attribute Name	Attribute Value
Entertainment	BrowseGroupDescriptor	BrowseGroupList	PublicBrowseRoot
		GroupID	EntertainmentID
News	BrowsegroupDescriptor	BrowseGroupList	PublicBrowseRoot
		GroupID	NewsID
Reference	BrowseGroupDescriptor	BrowseGroupList	PublicBrowseRoot
		GroupID	ReferenceID
Games	BrowseGroupDescriptor	BrowseGroupList	EntertainmentID
		GroupID	GamesID
Movies	BrowseGroupDescriptor	BrowseGroupList	EntertainmentID
		GroupID	MoviesID
Starcraft	Video Game Class ID	BrowseGroupList	GamesID

Table 2.1:

A Bug's Life	Movie Class ID	BrowseGroupList	MovieID
Dictionary Z	Dictionary Class ID	BrowseGroupList	ReferenceID
Encyclopedia X	Encyclopedia Class ID	BrowseGroupList	ReferenceID
New York Times	Newspaper ID	BrowseGroupList	NewspaperID
London Times	Newspaper ID	BrowseGroupList	NewspaperID
Local Newspaper	Newspaper ID	BrowseGroupList	NewspaperID

Table 2.1:

### 3 DATA REPRESENTATION

Attribute values can contain information of various types with arbitrary complexity; thus enabling an attribute list to be generally useful across a wide variety of service classes and environments.

SDP defines a simple mechanism to describe the data contained within an attribute value. The primitive construct used is the data element.

#### 3.1 DATA ELEMENT

A data element is a typed data representation. It consists of two fields: a header field and a data field. The header field, in turn, is composed of two parts: a type descriptor and a size descriptor. The data is a sequence of bytes whose length is specified in the size descriptor (described in [Section 3.3 Data Element Size Descriptor on page 342](#)) and whose meaning is (partially) specified by the type descriptor.

#### 3.2 DATA ELEMENT TYPE DESCRIPTOR

A data element type is represented as a 5-bit type descriptor. The type descriptor is contained in the most significant (high-order) 5 bits of the first byte of the data element header. The following types have been defined.

Type Descriptor Value	Valid Size Descriptor Values	Type Description
0	0	Nil, the null type
1	0, 1, 2, 3, 4	Unsigned Integer
2	0, 1, 2, 3, 4	Signed twos-complement integer
3	1, 2, 4	UUID, a universally unique identifier
4	5, 6, 7	Text string
5	0	Boolean
6	5, 6, 7	Data element sequence, a data element whose data field is a sequence of data elements
7	5, 6, 7	Data element alternative, data element whose data field is a sequence of data elements from which one data element is to be selected.
8	5, 6, 7	URL, a uniform resource locator
9-31		Reserved

Table 3.1:

### 3.3 DATA ELEMENT SIZE DESCRIPTOR

The data element size descriptor is represented as a 3-bit size index followed by 0, 8, 16, or 32 bits. The size index is contained in the least significant (low-order) 3 bits of the first byte of the data element header. The size index is encoded as follows.

Size Index	Additional bits	Data Size
0	0	1 byte. Exception: if the data element type is nil, the data size is 0 bytes.
1	0	2 bytes
2	0	4 bytes
3	0	8 bytes
4	0	16 bytes
5	8	The data size is contained in the additional 8 bits, which are interpreted as an unsigned integer.
6	16	The data size is contained in the additional 16 bits, which are interpreted as an unsigned integer.
7	32	The data size is contained in the additional 32 bits, which are interpreted as an unsigned integer.

Table 3.2:

### 3.4 DATA ELEMENT EXAMPLES

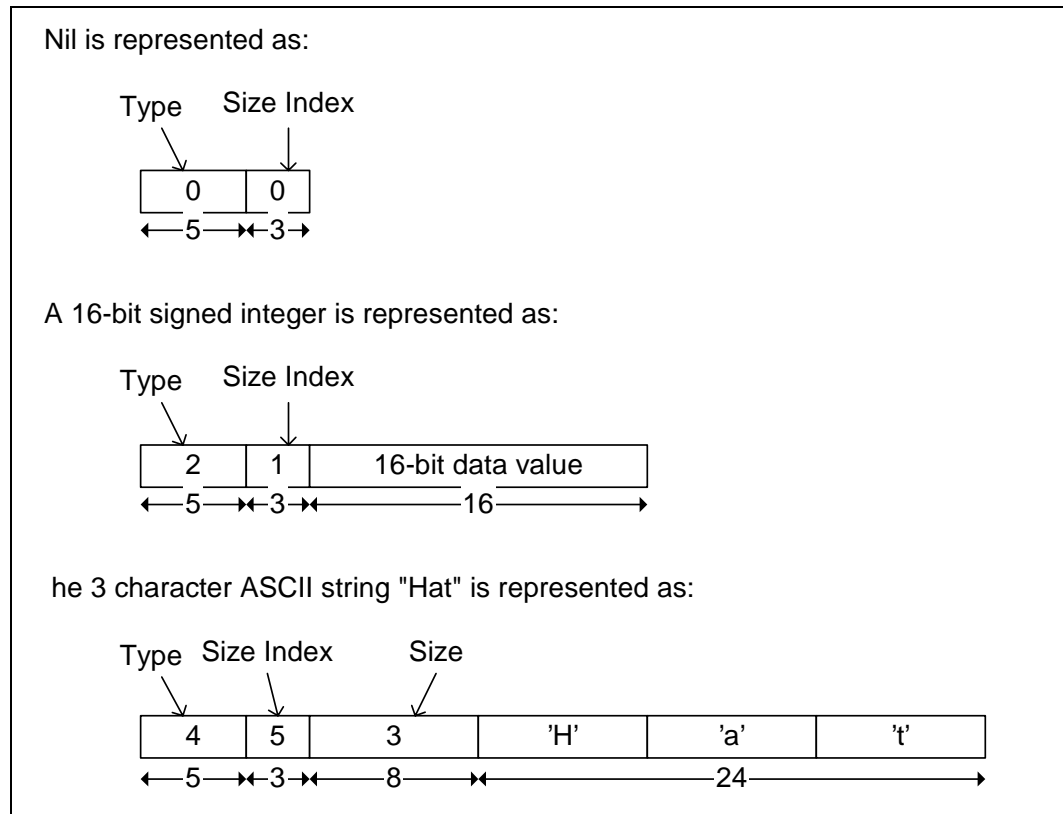


Figure 3.1:

## 4 PROTOCOL DESCRIPTION

SDP is a simple protocol with minimal requirements on the underlying transport. It can function over a reliable packet transport (or even unreliable, if the client implements timeouts and repeats requests as necessary).

SDP uses a request/response model where each transaction consists of one request protocol data unit (PDU) and one response PDU. However, the requests may potentially be pipelined and responses may potentially be returned out of order.

In the specific case where SDP utilises the Bluetooth L2CAP transport protocol, multiple SDP PDUs may be sent in a single L2CAP packet, but only one L2CAP packet per connection to a given SDP server may be outstanding at a given instant. Limiting SDP to sending one unacknowledged packet provides a simple form of flow control.

The protocol examples found in [Appendix B – Example SDP Transactions](#), may be helpful in understanding the protocol transactions.

### 4.1 TRANSFER BYTE ORDER

The service discovery protocol transfers multiple-byte fields in standard network byte order (Big Endian), with more significant (high-order) bytes being transferred before less-significant (low-order) bytes.

### 4.2 PROTOCOL DATA UNIT FORMAT

Every SDP PDU consists of a PDU header followed by PDU-specific parameters. The header contains three fields: a PDU ID, a Transaction ID, and a ParameterLength. Each of these header fields is described here. Parameters may include a continuation state parameter, described below; PDU-specific parameters for each PDU type are described later in separate PDU descriptions.

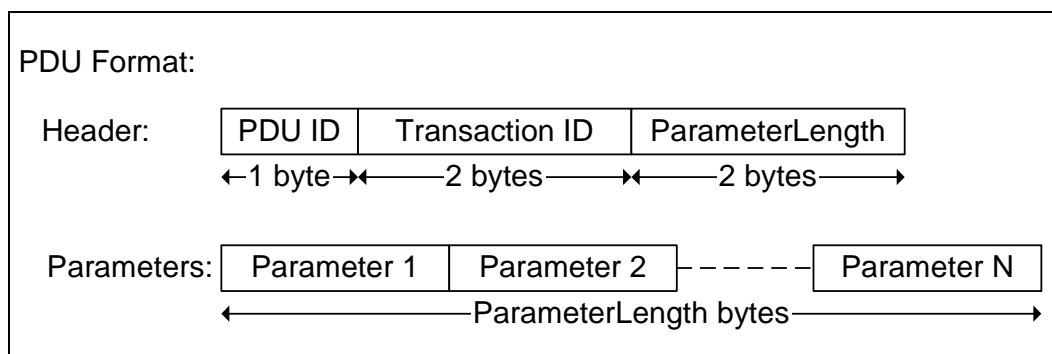


Figure 4.1:



*PDU ID:**Size: 1 Byte*

Value	Parameter Description
N	The PDU ID field identifies the type of PDU. I.e. its meaning and the specific parameters.
0x00	Reserved
0x01	SDP_ErrorResponse
0x02	SDP_ServiceSearchRequest
0x03	SDP_ServiceSearchResponse
0x04	SDP_ServiceAttributeRequest
0x05	SDP_ServiceAttributeResponse
0x06	SDP_ServiceSearchAttributeRequest
0x07	SDP_ServiceSearchAttributeResponse
0x07-0xFF	Reserved

*TransactionID:**Size: 2 Bytes*

Value	Parameter Description
N	The TransactionID field uniquely identifies request PDUs and is used to match response PDUs to request PDUs. The SDP client can choose any value for a request's TransactionID provided that it is different from all outstanding requests. The TransactionID value in response PDUs is required to be the same as the request that is being responded to. Range: 0x0000 – 0xFFFF

*ParameterLength:**Size: 2 Bytes*

Value	Parameter Description
N	The ParameterLength field specifies the length (in bytes) of all parameters contained in the PDU. Range: 0x0000 – 0xFFFF

### 4.3 PARTIAL RESPONSES AND CONTINUATION STATE

Some SDP requests may require responses that are larger than can fit in a single response PDU. In this case, the SDP server will generate a partial response along with a continuation state parameter. The continuation state parameter can be supplied by the client in a subsequent request to retrieve the next portion of the complete response. The continuation state parameter is a variable length field whose first byte contains the number of additional bytes of continuation information in the field. The format of the continuation information is not standardized among SDP servers. Each continuation state parameter is meaningful only to the SDP server that generated it.

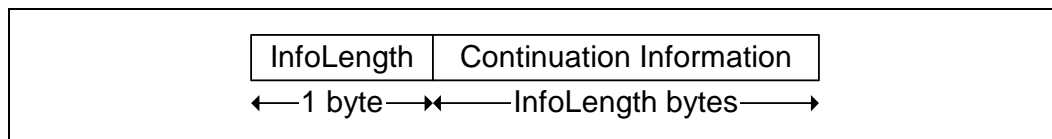


Figure 4.2: Continuation State Format

After a client receives a partial response and the accompanying continuation state parameter, it can re-issue the original request (with a new transaction ID) and include the continuation state in the new request indicating to the server that the remainder of the original response is desired. The maximum allowable value of the InfoLength field is 16 (0x10).

Note that an SDP server can split a response at any arbitrary boundary when it generates a partial response. The SDP server may select the boundary based on the contents of the reply, but is not required to do so.

### 4.4 ERROR HANDLING

Each transaction consists of a request and a response PDU. Generally, each type of request PDU has a corresponding type of response PDU. However, if the server determines that a request is improperly formatted or for any reason the server cannot respond with the appropriate PDU type, it will respond with an SDP\_ErrorResponse PDU.

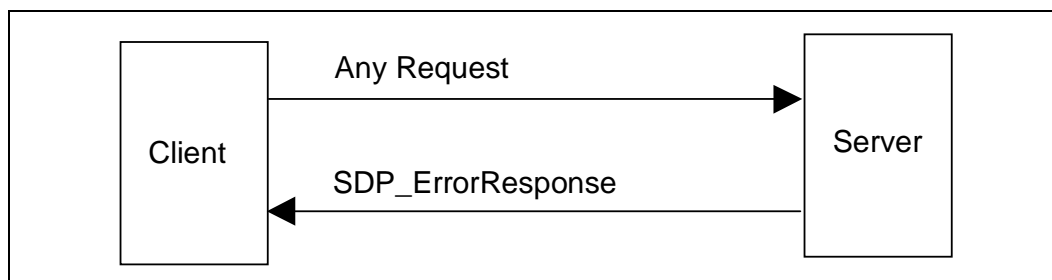


Figure 4.3:

#### 4.4.1 SDP\_ErrorResponse PDU

PDU Type	PDU ID	Parameters
SDP_ErrorResponse	0x01	ErrorCode, ErrorInfo

#### Description:

The SDP server generates this PDU type in response to an improperly formatted request PDU or when the SDP server, for whatever reason, cannot generate an appropriate response PDU.

#### PDU Parameters:

*ErrorCode:*

*Size: 2 Bytes*

Value	Parameter Description
N	The ErrorCode identifies the reason that an SDP_ErrorResponse PDU was generated.
0x0000	Reserved
0x0001	Invalid/unsupported SDP version
0x0002	Invalid Service Record Handle
0x0003	Invalid request syntax
0x0004	Invalid PDU Size
0x0005	Invalid Continuation State
0x0006	Insufficient Resources to satisfy Request
0x0007-0xFFFF	Reserved

*ErrorInfo:*

*Size: N Bytes*

Value	Parameter Description
Error-specific	ErrorInfo is an ErrorCode-specific parameter. Its interpretation depends on the ErrorCode parameter. The currently defined ErrorCode values do not specify the format of an ErrorInfo field.

## 4.5 SERVICESEARCH TRANSACTION



Figure 4.4:

### 4.5.1 SDP\_ServiceSearchRequest PDU

PDU Type	PDU ID	Parameters
SDP_ServiceSearchRequest	0x02	ServiceSearchPattern, MaximumServiceRecordCount, ContinuationState

#### Description:

The SDP client generates an SDP\_ServiceSearchRequest to locate service records that match the service search pattern given as the first parameter of the PDU. Upon receipt of this request, the SDP server will examine its service record data base and return an SDP\_ServiceSearchResponse containing the service record handles of service records that match the given service search pattern.

Note that no mechanism is provided to request information for all service records. However, see [Section 2.8 Browsing for Services on page 338](#) for a description of a mechanism that permits browsing for non-specific services without a priori knowledge of the services.

#### PDU Parameters:

*ServiceSearchPattern:*

*Size: Varies*

Value	Parameter Description
Data Element Sequence	The ServiceSearchPattern is a data element sequence where each element in the sequence is a UUID. The sequence must contain at least one UUID. The maximum number of UUIDs in the sequence is 12*. The list of UUIDs constitutes a service search pattern.

\*. The value of 12 has been selected as a compromise between the scope of a service search and the size of a search request PDU. It is not expected that more than 12 UUIDs will be useful in a service search pattern.

*MaximumServiceRecordCount:*

*Size: 2 Bytes*

Value	Parameter Description
N	MaximumServiceRecordCount is a 16-bit count specifying the maximum number of service record handles to be returned in the response(s) to this request. The SDP server should not return more handles than this value specifies. If more than N service records match the request, the SDP server determines which matching service record handles to return in the response(s). Range: 0x0001-0xFFFF

*ContinuationState:*

*Size: 1 to 17 Bytes*

Value	Parameter Description
Continuation State	ContinuationState consists of an 8-bit count, N, of the number of bytes of continuation state information, followed by the N bytes of continuation state information that were returned in a previous response from the server. N is required to be less than or equal to 16. If no continuation state is to be provided in the request, N is set to 0.

#### 4.5.2 SDP\_ServiceSearchResponse PDU

PDU Type	PDU ID	Parameters
SDP_ServiceSearchResponse	0x03	TotalServiceRecordCount, CurrentServiceRecordCount, ServiceRecordHandleList, ContinuationState

#### Description:

The SDP server generates an SDP\_ServiceSearchResponse upon receipt of a valid SDP\_ServiceSearchRequest. The response contains a list of service record handles for service records that match the service search pattern given in the request. Note that if a partial response is generated, it must contain an integral number of complete service record handles; a service record handle value may not be split across multiple PDUs.

**PDU Parameters:**

*TotalServiceRecordCount:*

*Size: 2 Bytes*

Value	Parameter Description
N	The TotalServiceRecordCount is an integer containing the number of service records that match the requested service search pattern. If no service records match the requested service search pattern, this parameter is set to 0. N should never be larger than the MaximumServiceRecordCount value specified in the SDP_ServiceSearchRequest. When multiple partial responses are used, each partial response contains the same value for TotalServiceRecordCount. Range: 0x0000-0xFFFF

*CurrentServiceRecordCount:*

*Size: 2 Bytes*

Value	Parameter Description
N	The CurrentServiceRecordCount is an integer indicating the number of service record handles that are contained in the next parameter. If no service records match the requested service search pattern, this parameter is set to 0. N should never be larger than the TotalServiceRecordCount value specified in the current response. Range: 0x0000-0xFFFF

*ServiceRecordHandleList:*

*Size: (CurrentServiceRecordCount\*4) Bytes*

Value	Parameter Description
List of 32-bit handles	The ServiceRecordHandleList contains a list of service record handles. The number of handles in the list is given in the CurrentServiceRecordCount parameter. Each of the handles in the list refers to a service record that matches the requested service search pattern. Note that this list of service record handles does not have the format of a data element. It contains no header fields, only the 32-bit service record handles.

*ContinuationState:*

*Size: 1 to 17 Bytes*

Value	Parameter Description
Continuation State	ContinuationState consists of an 8-bit count, N, of the number of bytes of continuation state information, followed by the N bytes of continuation information. If the current response is complete, this parameter consists of a single byte with the value 0. If a partial response is contained in the PDU, the ContinuationState parameter may be supplied in a subsequent request to retrieve the remainder of the response.

## 4.6 SERVICEATTRIBUTE TRANSACTION

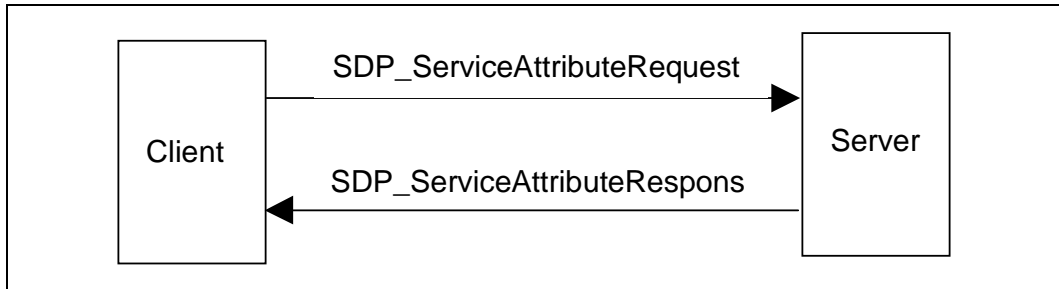


Figure 4.5:

### 4.6.1 SDP\_ServiceAttributeRequest PDU

PDU Type	PDU ID	Parameters
SDP_ServiceAttributeRequest	0x04	ServiceRecordHandle, MaximumAttributeByteCount, AttributeIDList, ContinuationState

#### Description:

The SDP client generates an SDP\_ServiceAttributeRequest to retrieve specified attribute values from a specific service record. The service record handle of the desired service record and a list of desired attribute IDs to be retrieved from that service record are supplied as parameters.

#### Command Parameters:

*ServiceRecordHandle:* Size: 4 Bytes

Value	Parameter Description
32-bit handle	The ServiceRecordHandle parameter specifies the service record from which attribute values are to be retrieved. The handle is obtained via a previous SDP_ServiceSearch transaction.

*MaximumAttributeByteCount:* Size: 2 Bytes

Value	Parameter Description
N	MaximumAttributeByteCount specifies the maximum number of bytes of attribute data to be returned in the response(s) to this request. The SDP server should not return more than N bytes of attribute data in the response(s). If the requested attributes require more than N bytes, the SDP server determines how to truncate the list. Range: 0x0007-0xFFFF

*AttributeIDList:*

*Size: Varies*

Value	Parameter Description
Data Element Sequence	The AttributeIDList is a data element sequence where each element in the list is either an attribute ID or a range of attribute IDs. Each attribute ID is encoded as a 16-bit unsigned integer data element. Each attribute ID range is encoded as a 32-bit unsigned integer data element, where the high order 16 bits are interpreted as the beginning attribute ID of the range and the low order 16 bits are interpreted as the ending attribute ID of the range. The attribute IDs contained in the AttributeIDList must be listed in ascending order without duplication of any attribute ID values. Note that all attributes may be requested by specifying a range of 0x0000-0xFFFF.

*ContinuationState:*

*Size: 1 to 17 Bytes*

Value	Parameter Description
Continuation State	ContinuationState consists of an 8-bit count, N, of the number of bytes of continuation state information, followed by the N bytes of continuation state information that were returned in a previous response from the server. N is required to be less than or equal to 16. If no continuation state is to be provided in the request, N is set to 0.

#### 4.6.2 SDP\_ServiceAttributeResponse PDU

PDU Type	PDU ID	Parameters
SDP_ServiceAttributeResponse	0x05	AttributeListByteCount, AttributeList, ContinuationState

#### Description:

The SDP server generates an SDP\_ServiceAttributeResponse upon receipt of a valid SDP\_ServiceAttributeRequest. The response contains a list of attributes (both attribute ID and attribute value) from the requested service record.

#### PDU Parameters:

*AttributeListByteCount:*

*Size: 2 Bytes*

Value	Parameter Description
N	The AttributeListByteCount contains a count of the number of bytes in the AttributeList parameter. N must never be larger than the MaximumAttributeByteCount value specified in the SDP_ServiceAttributeRequest. Range: 0x0002-0xFFFF



*AttributeList:**Size: AttributeListByteCount*

Value	Parameter Description
Data Element Sequence	The AttributeList is a data element sequence containing attribute IDs and attribute values. The first element in the sequence contains the attribute ID of the first attribute to be returned. The second element in the sequence contains the corresponding attribute value. Successive pairs of elements in the list contain additional attribute ID and value pairs. Only attributes that have non-null values within the service record and whose attribute IDs were specified in the SDP_ServiceAttributeRequest are contained in the AttributeList. Neither an attribute ID nor an attribute value is placed in the AttributeList for attributes in the service record that have no value. The attributes are listed in ascending order of attribute ID value.

*ContinuationState:**Size: 1 to 17 Bytes*

Value	Parameter Description
Continuation State	ContinuationState consists of an 8-bit count, N, of the number of bytes of continuation state information, followed by the N bytes of continuation information. If the current response is complete, this parameter consists of a single byte with the value 0. If a partial response is given, the ContinuationState parameter may be supplied in a subsequent request to retrieve the remainder of the response.

## 4.7 SERVICESEARCHATTRIBUTE TRANSACTION

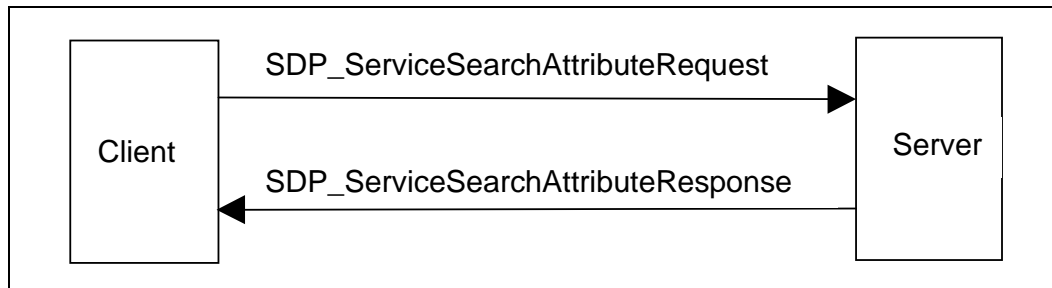


Figure 4.6:

### 4.7.1 SDP\_ServiceSearchAttributeRequest PDU

PDU Type	PDU ID	Parameters
SDP_ServiceSearchAttributeRequest	0x06	ServiceSearchPattern, MaximumAttributeByteCount, AttributeIDList, ContinuationState

#### Description:

The SDP\_ServiceSearchAttributeRequest transaction combines the capabilities of the SDP\_ServiceSearchRequest and the SDP\_ServiceAttributeRequest into a single request. As parameters, it contains both a service search pattern and a list of attributes to be retrieved from service records that match the service search pattern. The SDP\_ServiceSearchAttributeRequest and its response are more complex and may require more bytes than separate SDP\_ServiceSearch and SDP\_ServiceAttribute transactions. However, using SDP\_ServiceSearchAttributeRequest may reduce the total number of SDP transactions, particularly when retrieving multiple service records.

Note that the service record handle for each service record is contained in the ServiceRecordHandle attribute of that service and may be requested along with other attributes.

**PDU Parameters:**

*ServiceSearchPattern:*

*Size: Varies*

Value	Parameter Description
Data Element Sequence	The ServiceSearchPattern is a data element sequence where each element in the sequence is a UUID. The sequence must contain at least one UUID. The maximum number of UUIDs in the sequence is 12*. The list of UUIDs constitutes a service search pattern.

\*. The value of 12 has been selected as a compromise between the scope of a service search and the size of a search request PDU. It is not expected that more than 12 UUIDs will be useful in a service search pattern.

*MaximumAttributeByteCount:*

*Size: 2 Bytes*

Value	Parameter Description
N	MaximumAttributeByteCount specifies the maximum number of bytes of attribute data to be returned in the response(s) to this request. The SDP server should not return more than N bytes of attribute data in the response(s). If the requested attributes require more than N bytes, the SDP server determines how to truncate the list. Range: 0x0009-0xFFFF

*AttributeIDList:*

*Size: Varies*

Value	Parameter Description
Data Element Sequence	The AttributeIDList is a data element sequence where each element in the list is either an attribute ID or a range of attribute IDs. Each attribute ID is encoded as a 16-bit unsigned integer data element. Each attribute ID range is encoded as a 32-bit unsigned integer data element, where the high order 16 bits are interpreted as the beginning attribute ID of the range and the low order 16 bits are interpreted as the ending attribute ID of the range. The attribute IDs contained in the AttributeIDList must be listed in ascending order without duplication of any attribute ID values. Note that all attributes may be requested by specifying a range of 0x0000-0xFFFF.

*ContinuationState:*

*Size: 1 to 17 Bytes*

Value	Parameter Description
Continuation State	ContinuationState consists of an 8-bit count, N, of the number of bytes of continuation state information, followed by the N bytes of continuation state information that were returned in a previous response from the server. N is required to be less than or equal to 16. If no continuation state is to be provided in the request, N is set to 0.

### 4.7.2 SDP\_ServiceSearchAttributeResponse PDU

PDU Type	PDU ID	Parameters
SDP_ServiceSearchAttributeResponse	0x07	AttributeListsByteCount, AttributeLists, ContinuationState

#### Description:

The SDP server generates an SDP\_ServiceSearchAttributeResponse upon receipt of a valid SDP\_ServiceSearchAttributeRequest. The response contains a list of attributes (both attribute ID and attribute value) from the service records that match the requested service search pattern.

#### PDU Parameters:

*AttributeListsByteCount:* *Size: 2 Bytes*

Value	Parameter Description
N	The AttributeListsByteCount contains a count of the number of bytes in the AttributeLists parameter. N must never be larger than the MaximumAttributeByteCount value specified in the SDP_ServiceSearchAttributeRequest. Range: 0x0002-0xFFFF

*AttributeLists:* *Size: Varies*

Value	Parameter Description
Data Element Sequence	The AttributeLists is a data element sequence where each element in turn is a data element sequence representing an attribute list. Each attribute list contains attribute IDs and attribute values from one service record. The first element in each attribute list contains the attribute ID of the first attribute to be returned for that service record. The second element in each attribute list contains the corresponding attribute value. Successive pairs of elements in each attribute list contain additional attribute ID and value pairs. Only attributes that have non-null values within the service record and whose attribute IDs were specified in the SDP_ServiceSearchAttributeRequest are contained in the AttributeLists. Neither an attribute ID nor attribute value is placed in AttributeLists for attributes in the service record that have no value. Within each attribute list, the attributes are listed in ascending order of attribute ID value.

*ContinuationState:**Size: 1 to 17 Bytes*

Value	Parameter Description
Continuation State	ContinuationState consists of an 8-bit count, N, of the number of bytes of continuation state information, followed by the N bytes of continuation information. If the current response is complete, this parameter consists of a single byte with the value 0. If a partial response is given, the ContinuationState parameter may be supplied in a subsequent request to retrieve the remainder of the response.

## 5 SERVICE ATTRIBUTE DEFINITIONS

The service classes and attributes contained in this document are necessarily a partial list of the service classes and attributes supported by SDP. Only service classes that directly support the SDP server are included in this document. Additional service classes will be defined in other documents and possibly in future revisions of this document. Also, it is expected that additional attributes will be discovered that are applicable to a broad set of services; these may be added to the list of Universal attributes in future revisions of this document.

### 5.1 UNIVERSAL ATTRIBUTE DEFINITIONS

Universal attributes are those service attributes whose definitions are common to all service records. Note that this does not mean that every service record must contain values for all of these service attributes. However, if a service record has a service attribute with an attribute ID allocated to a universal attribute, the attribute value must conform to the universal attribute's definition.

Only two attributes are required to exist in every service record instance. They are the ServiceRecordHandle (attribute ID 0x0000) and the ServiceClassIDList (attribute ID 0x0001). All other service attributes are optional within a service record.

#### 5.1.1 ServiceRecordHandle Attribute

Attribute Name	Attribute ID	Attribute Value Type
ServiceRecordHandle	0x0000	32-bit unsigned integer

#### Description:

A service record handle is a 32-bit number that uniquely identifies each service record within an SDP server. It is important to note that, in general, each handle is unique only within each SDP server. If SDP server S1 and SDP server S2 both contain identical service records (representing the same service), the service record handles used to reference these identical service records are completely independent. The handle used to reference the service on S1 will, in general, be meaningless if presented to S2.

### 5.1.2 ServiceClassIDList Attribute

Attribute Name	Attribute ID	Attribute Value Type
ServiceClassIDList	0x0001	Data Element Sequence

#### Description:

The ServiceClassIDList attribute consists of a data element sequence in which each data element is a UUID representing the service classes that a given service record conforms to. The UUIDs are listed in order from the most specific class to the most general class. The ServiceClassIDList must contain at least one service class UUID.

### 5.1.3 ServiceRecordState Attribute

Attribute Name	Attribute ID	Attribute Value Type
ServiceRecordState	0x0002	32-bit unsigned integer

#### Description:

The ServiceRecordState is a 32-bit integer that is used to facilitate caching of ServiceAttributes. If this attribute is contained in a service record, its value is guaranteed to change when any other attribute value is added to, deleted from or changed within the service record. This permits a client to check the value of this single attribute. If its value has not changed since it was last checked, the client knows that no other attribute values within the service record have changed.

### 5.1.4 ServiceID Attribute

Attribute Name	Attribute ID	Attribute Value Type
ServiceID	0x0003	UUID

#### Description:

The ServiceID is a UUID that universally and uniquely identifies the service instance described by the service record. This service attribute is particularly useful if the same service is described by service records in more than one SDP server.

### 5.1.5 ProtocolDescriptorList Attribute

Attribute Name	Attribute ID	Attribute Value Type
ProtocolDescriptorList	0x0004	Data Element Sequence or Data Element Alternative

#### Description:

The ProtocolDescriptorList attribute describes one or more protocol stacks that may be used to gain access to the service described by the service record.

If the ProtocolDescriptorList describes a single stack, it takes the form of a data element sequence in which each element of the sequence is a protocol descriptor. Each protocol descriptor is, in turn, a data element sequence whose first element is a UUID identifying the protocol and whose successive elements are protocol-specific parameters. Potential protocol-specific parameters are a protocol version number and a connection-port number. The protocol descriptors are listed in order from the lowest layer protocol to the highest layer protocol used to gain access to the service.

If it is possible for more than one kind of protocol stack to be used to gain access to the service, the ProtocolDescriptorList takes the form of a data element alternative where each member is a data element sequence as described in the previous paragraph.

#### Protocol Descriptors

A protocol descriptor identifies a communications protocol and provides protocol-specific parameters. A protocol descriptor is represented as a data element sequence. The first data element in the sequence must be the UUID that identifies the protocol. Additional data elements optionally provide protocol-specific information, such as the L2CAP protocol/service multiplexer (PSM) and the RFCOMM server channel number (CN) shown below.

#### ProtocolDescriptorList Examples

These examples are intended to be illustrative. The parameter formats for each protocol are not defined within this specification.

In the first two examples, it is assumed that a single RFCOMM instance exists on top of the L2CAP layer. In this case, the L2CAP protocol specific information (PSM) points to the single instance of RFCOMM. In the last example, two different and independent RFCOMM instances are available on top of the L2CAP layer. In this case, the L2CAP protocol specific information (PSM) points to a distinct identifier that distinguishes each of the RFCOMM instances. According to the L2CAP specification, this identifier takes values in the range 0x1000-0xFFFF.



*IrDA-like printer*

(( L2CAP, PSM=RFCOMM ), ( RFCOMM, CN=1 ), ( PostscriptStream ) )

*IP Network Printing*

(( L2CAP, PSM=RFCOMM ), ( RFCOMM, CN=2 ), ( PPP ), ( IP ), ( TCP ), ( IPP ) )

## Synchronization Protocol Descriptor Example

(( L2CAP, PSM=0x1001 ), ( RFCOMM, CN=1 ), ( Obex ), ( vCal ) )

(( L2CAP, PSM=0x1002 ), ( RFCOMM, CN=1 ), ( Obex ), ( otherSynchronisationApplication ) )

**5.1.6 BrowseGroupList Attribute**

Attribute Name	Attribute ID	Attribute Value Type
BrowseGroupList	0x0005	Data Element Sequence

**Description:**

The BrowseGroupList attribute consists of a data element sequence in which each element is a UUID that represents a browse group to which the service record belongs. The top-level browse group ID, called PublicBrowseRoot and representing the root of the browsing hierarchy, has the value 00001002-0000-1000-7007-00805F9B34FB (UUID16: 0x1002) from the Bluetooth Assigned Numbers document.

**5.1.7 LanguageBaseAttributeIDList Attribute**

Attribute Name	Attribute ID	Attribute Value Type
LanguageBaseAttributeIDList	0x0006	Data Element Sequence

**Description:**

In order to support human-readable attributes for multiple natural languages in a single service record, a base attribute ID is assigned for each of the natural languages used in a service record. The human-readable universal attributes are then defined with an attribute ID offset from each of these base values, rather than with an absolute attribute ID.

The LanguageBaseAttributeIDList attribute is a list in which each member contains a language identifier, a character encoding identifier, and a base attribute

ID for each of the natural languages used in the service record. The LanguageBaseAttributeIDList attribute consists of a data element sequence in which each element is a 16-bit unsigned integer. The elements are grouped as triplets (threes).

The first element of each triplet contains an identifier representing the natural language. The language is encoded according to ISO 639:1988 (E/F): “Code for the representation of names of languages”.

The second element of each triplet contains an identifier that specifies a character encoding used for the language. Values for character encoding can be found in IANA's database<sup>2</sup>, and have the values that are referred to as MIBEnum values. The recommended character encoding is UTF-8.

The third element of each triplet contains an attribute ID that serves as the base attribute ID for the natural language in the service record. Different service records within a server may use different base attribute ID values for the same language.

To facilitate the retrieval of human-readable universal attributes in a principal language, the base attribute ID value for the primary language supported by a service record must be 0x0100. Also, if a LanguageBaseAttributeIDList attribute is contained in a service record, the base attribute ID value contained in its first element must be 0x0100.

### 5.1.8 ServiceInfoTimeToLive Attribute

Attribute Name	Attribute ID	Attribute Value Type
ServiceInfoTimeToLive	0x0007	32-bit unsigned integer

#### Description:

The ServiceTimeToLive attribute is a 32-bit integer that contains the number of seconds for which the information in a service record is expected to remain valid and unchanged. This time interval is measured from the time that the attribute value is retrieved from the SDP server. This value does not imply a guarantee that the service record will remain available or unchanged. It is simply a hint that a client may use to determine a suitable polling interval to revalidate the service record contents.

2. See <http://www.isi.edu/in-notes/iana/assignments/character-sets>

### 5.1.9 ServiceAvailability Attribute

Attribute Name	Attribute ID	Attribute Value Type
ServiceAvailability	0x0008	8-bit unsigned integer

#### Description:

The ServiceAvailability attribute is an 8-bit unsigned integer that represents the relative ability of the service to accept additional clients. A value of 0xFF indicates that the service is not currently in use and is thus fully available, while a value of 0x00 means that the service is not accepting new clients. For services that support multiple simultaneous clients, intermediate values indicate the relative availability of the service on a linear scale.

For example, a service that can accept up to 3 clients should provide ServiceAvailability values of 0xFF, 0xAA, 0x55, and 0x00 when 0, 1, 2, and 3 clients, respectively, are utilising the service. The value 0xAA is approximately  $(2/3) * 0xFF$  and represents 2/3 availability, while the value 0x55 is approximately  $(1/3) * 0xFF$  and represents 1/3 availability. Note that the availability value may be approximated as

$$( 1 - ( \text{current\_number\_of\_clients} / \text{maximum\_number\_of\_clients} ) ) * 0xFF$$

When the maximum number of clients is large, this formula must be modified to ensure that ServiceAvailability values of 0x00 and 0xFF are reserved for their defined meanings of unavailability and full availability, respectively.

Note that the maximum number of clients a service can support may vary according to the resources utilised by the service's current clients.

A non-zero value for ServiceAvailability does not guarantee that the service will be available for use. It should be treated as a hint or an approximation of availability status.

### 5.1.10 BluetoothProfileDescriptorList Attribute

Attribute Name	Attribute ID	Attribute Value Type
BluetoothProfileDescriptorList	0x0009	Data Element Sequence

#### Description:

The BluetoothProfileDescriptorList attribute consists of a data element sequence in which each element is a profile descriptor that contains information about a Bluetooth profile to which the service represented by this service record conforms. Each profile descriptor is a data element sequence whose

first element is the UUID assigned to the profile and whose second element is a 16-bit profile version number.

Each version of a profile is assigned a 16-bit unsigned integer profile version number, which consists of two 8-bit fields. The higher-order 8 bits contain the major version number field and the lower-order 8 bits contain the minor version number field. The initial version of each profile has a major version of 1 and a minor version of 0. When upward compatible changes are made to the profile, the minor version number will be incremented. If incompatible changes are made to the profile, the major version number will be incremented.

### 5.1.11 DocumentationURL Attribute

Attribute Name	Attribute ID	Attribute Value Type
DocumentationURL	0x000A	URL

#### Description:

This attribute is a URL which points to documentation on the service described by a service record.

### 5.1.12 ClientExecutableURL Attribute

Attribute Name	Attribute ID	Attribute Value Type
ClientExecutableURL	0x000B	URL

#### Description:

This attribute contains a URL that refers to the location of an application that may be used to utilize the service described by the service record. Since different operating environments require different executable formats, a mechanism has been defined to allow this single attribute to be used to locate an executable that is appropriate for the client device's operating environment. In the attribute value URL, the first byte with the value 0x2A (ASCII character '\*') is to be replaced by the client application with a string representing the desired operating environment before the URL is to be used.

The list of standardized strings representing operating environments is contained in the Bluetooth Assigned Numbers document.

For example, assume that the value of the ClientExecutableURL attribute is `http://my.fake/public/*/client.exe`. On a device capable of executing SH3 WindowsCE files, this URL would be changed to `http://my.fake/public/sh3-microsoft-wince/client.exe`. On a device capable of executing Windows 98 binaries, this URL would be changed to `http://my.fake/public/i86-microsoft-win98/client.exe`.

### 5.1.13 IconURL Attribute

Attribute Name	Attribute ID	Attribute Value Type
IconURL	0x000C	URL

#### Description:

This attribute contains a URL that refers to the location of an icon that may be used to represent the service described by the service record. Since different hardware devices require different icon formats, a mechanism has been defined to allow this single attribute to be used to locate an icon that is appropriate for the client device. In the attribute value URL, the first byte with the value 0x2A (ASCII character ‘\*’) is to be replaced by the client application with a string representing the desired icon format before the URL is to be used.

The list of standardized strings representing icon formats is contained in the Bluetooth Assigned Numbers document.

For example, assume that the value of the IconURL attribute is `http://my.fake/public/icons/*`. On a device that prefers 24 x 24 icons with 256 colors, this URL would be changed to `http://my.fake/public/icons/24x24x8.png`. On a device that prefers 10 x 10 monochrome icons, this URL would be changed to `http://my.fake/public/icons/10x10x1.png`.

### 5.1.14 ServiceName Attribute

Attribute Name	Attribute ID Offset	Attribute Value Type
ServiceName	0x0000	String

#### Description:

The ServiceName attribute is a string containing the name of the service represented by a service record. It should be brief and suitable for display with an Icon representing the service. The offset 0x0000 must be added to the attribute ID base (contained in the LanguageBaseAttributeIDList attribute) in order to compute the attribute ID for this attribute.

### 5.1.15 ServiceDescription Attribute

Attribute Name	Attribute ID Offset	Attribute Value Type
ServiceDescription	0x0001	String

#### **Description:**

This attribute is a string containing a brief description of the service. It should be less than 200 characters in length. The offset 0x0001 must be added to the attribute ID base (contained in the LanguageBaseAttributeIDList attribute) in order to compute the attribute ID for this attribute.

### 5.1.16 ProviderName Attribute

Attribute Name	Attribute ID Offset	Attribute Value Type
ProviderName	0x0002	String

#### **Description:**

This attribute is a string containing the name of the person or organization providing the service. The offset 0x0002 must be added to the attribute ID base (contained in the LanguageBaseAttributeIDList attribute) in order to compute the attribute ID for this attribute.

### 5.1.17 Reserved Universal Attribute IDs

Attribute IDs in the range of 0x000D-0x01FF are reserved.

## 5.2 SERVICEDISCOVERYSERVER SERVICE CLASS ATTRIBUTE DEFINITIONS

This service class describes service records that contain attributes of service discovery server itself. The attributes listed in this section are only valid if the ServiceClassIDList attribute contains the ServiceDiscoveryServerServiceClassID. Note that all of the universal attributes may be included in service records of the ServiceDiscoveryServer class.

### 5.2.1 ServiceRecordHandle Attribute

Described in the universal attribute definition for ServiceRecordHandle.

#### Value

A 32-bit integer with the value 0x00000000.

### 5.2.2 ServiceClassIDList Attribute

Described in the universal attribute definition for ServiceClassIDList.

#### Value

A UUID representing the ServiceDiscoveryServerServiceClassID.

### 5.2.3 VersionNumberList Attribute

Attribute Name	Attribute ID	Attribute Value Type
VersionNumberList	0x0200	Data Element Sequence

#### Description:

The VersionNumberList is a data element sequence in which each element of the sequence is a version number supported by the SDP server.

A version number is a 16-bit unsigned integer consisting of two fields. The higher-order 8 bits contain the major version number field and the low-order 8 bits contain the minor version number field. The initial version of SDP has a major version of 1 and a minor version of 0. When upward compatible changes are made to the protocol, the minor version number will be incremented. If incompatible changes are made to SDP, the major version number will be incremented. This guarantees that if a client and a server support a common major version number, they can communicate if each uses only features of the specification with a minor version number that is supported by both client and server.

### 5.2.4 ServiceDatabaseState Attribute

Attribute Name	Attribute ID	Attribute Value Type
ServiceDatabaseState	0x0201	32-bit unsigned integer

#### Description:

The ServiceDatabaseState is a 32-bit integer that is used to facilitate caching of service records. If this attribute exists, its value is guaranteed to change when any of the other service records are added to or deleted from the server's database. If this value has not changed since the last time a client queried its value, the client knows that a) none of the other service records maintained by the SDP server have been added or deleted; and b) any service record handles acquired from the server are still valid. A client should query this attribute's value when a connection to the server is established, prior to using any service record handles acquired during a previous connection.

Note that the ServiceDatabaseState attribute does not change when existing service records are modified, including the addition, removal, or modification of service attributes. A service record's ServiceRecordState attribute indicates when that service record is modified.

### 5.2.5 Reserved Attribute IDs

Attribute IDs in the range of 0x0202-0x02FF are reserved.



## 5.3 BROWSEGROUPDESCRIPTOR SERVICE CLASS ATTRIBUTE DEFINITIONS

This service class describes the ServiceRecord provided for each BrowseGroupDescriptor service offered on a Bluetooth device. The attributes listed in this section are only valid if the ServiceClassIDList attribute contains the BrowseGroupDescriptorServiceClassID. Note that all of the universal attributes may be included in service records of the BrowseGroupDescriptor class.

### 5.3.1 ServiceClassIDList Attribute

Described in the universal attribute definition for ServiceClassIDList.

#### Value

A UUID representing the BrowseGroupDescriptorServiceClassID.

### 5.3.2 GroupID Attribute

Attribute Name	Attribute ID	Attribute Value Type
GroupID	0x0200	UUID

#### Description:

This attribute contains a UUID that can be used to locate services that are members of the browse group that this service record describes.

### 5.3.3 Reserved Attribute IDs

Attribute IDs in the range of 0x0201-0x02FF are reserved.

---

## **APPENDIX A – BACKGROUND INFORMATION**

---

### **A.1. Service Discovery**

As computing continues to move to a network-centric model, finding and making use of services that may be available in the network becomes increasingly important. Services can include common ones such as printing, paging, FAX-ing, and so on, as well as various kinds of information access such as teleconferencing, network bridges and access points, eCommerce facilities, and so on — most any kind of service that a server or service provider might offer. In addition to the need for a standard way of discovering available services, there are other considerations: getting access to the services (finding and obtaining the protocols, access methods, “drivers” and other code necessary to utilize the service), controlling access to the services, advertising the services, choosing among competing services, billing for services, and so on. This problem is widely recognized; many companies, standards bodies and consortia are addressing it at various levels in various ways. Service Location Protocol (SLP), Jini<sup>TM</sup>, and Salutation<sup>TM</sup>, to name just a few, all address some aspect of service discovery.

### **A.2. Bluetooth Service Discovery**

Bluetooth Service Discovery Protocol (SDP) addresses service discovery specifically for the Bluetooth environment. It is optimized for the highly dynamic nature of Bluetooth communications. SDP focuses primarily on discovering services available from or through Bluetooth devices. SDP does not define methods for accessing services; once services are discovered with SDP, they can be accessed in various ways, depending upon the service. This might include the use of other service discovery and access mechanisms such as those mentioned above; SDP provides a means for other protocols to be used along with SDP in those environments where this can be beneficial. While SDP can coexist with other service discovery protocols, it does not require them. In Bluetooth environments, services can be discovered using SDP and can be accessed using other protocols defined by Bluetooth.

## APPENDIX B – EXAMPLE SDP TRANSACTIONS

The following are simple examples of typical SDP transactions. These are meant to be illustrative of SDP flows. The examples do not consider:

- Caching (in a caching system, the SDP client would make use of the ServiceRecordState and ServiceDatabaseState attributes);
- Service availability (if this is of interest, the SDP client should use the ServiceAvailability and/or ServiceTimeToLive attributes);
- SDP versions (the VersionNumberList attribute could be used to determine compatible SDP versions);
- SDP Error Responses (an SDP error response is possible for any SDP request that is in error); and
- Communication connection (the examples assume that an L2CAP connection is established).

The examples are meant to be illustrative of the protocol. The format used is `ObjectName[ObjectSizeInBytes] {SubObjectDefinitions}`, but this is not meant to illustrate an interface. The `ObjectSizeInBytes` is the size of the object in decimal. The `SubObjectDefinitions` (inside of `{}` characters) are components of the immediately enclosing object. Hexadecimal values shown as lower-case letters, such as for transaction IDs and service handles, are variables (the particular value is not important for the illustration, but each such symbol always represents the same value). Comments are included in this manner: `/* comment text */`.

### B.1. SDP Example 1 – ServiceSearchRequest

The first example is that of an SDP client searching for a generic printing service. The client does not specify a particular type of printing service. In the example, the SDP server has two available printing services. The transaction illustrates:

1. SDP client to SDP server: `SDP_ServiceSearchRequest`, specifying the `PrinterServiceClassID` (represented as a `DataElement` with a 32-bit UUID value of `ppp . . . ppp`) as the only element of the `ServiceSearchPattern`. The `PrinterServiceClassID` is assumed to be a 32-bit UUID and the data element type for it is illustrated. The `TransactionID` is illustrated as `tttt`.
2. SDP server to SDP client: `SDP_ServiceSearchResponse`, returning handles to two printing services, represented as `qqqqqqqq` for the first printing service and `rrrrrrrr` for the second printing service. The `TransactionID` is the same value as supplied by the SDP client in the corresponding request (`tttt`).

```
/* Sent from SDP Client to SDP server */
SDP_ServiceSearchRequest[15] {
  PDUID[1] {
```

*Service Discovery Protocol***Bluetooth.**

```

    0x02
  }
  TransactionID[2] {
    0xtttt
  }
  ParameterLength[2] {
    0x000A
  }
  ServiceSearchPattern[7] {
    DataElementSequence[7] {
      0b00110 0b101 0x05
      UUID[5] {
        /* PrinterServiceClassID */
        0b00011 0b010 0xpppppppp
      }
    }
  }
  MaximumServiceRecordCount[2] {
    0x0003
  }
  ContinuationState[1] {
    /* no continuation state */
    0x00
  }
}

/* Sent from SDP server to SDP client */
SDP_ServiceSearchResponse[16] {
  PDUID[1] {
    0x03
  }
  TransactionID[2] {
    0xtttt
  }
  ParameterLength[2] {
    0x000D
  }
  TotalServiceRecordCount[2] {
    0x0002
  }
  CurrentServiceRecordCount[2] {
    0x0002
  }
  ServiceRecordHandleList[8] {
    /* print service 1 handle */
    0xqqqqqqqq
    /* print service 2 handle */
    0xrrrrrrrr
  }
  ContinuationState[1] {
    /* no continuation state */
    0x00
  }
}

```

## B.2. SDP Example 2 – ServiceAttributeTransaction

The second example continues the first example. In Example 1, the SDP client obtained handles to two printing services. In Example 2, the client uses one of those service handles to obtain the ProtocolDescriptorList attribute for that printing service. The transaction illustrates:

1. SDP client to SDP server: SDP\_ServiceAttributeRequest, presenting the previously obtained service handle (the one denoted as `qqqqqqqq`) and specifying the ProtocolDescriptorList attribute ID (AttributeID `0x0004`) as the only attribute requested (other attributes could be retrieved in the same transaction if desired). The TransactionID is illustrated as `uuuu` to distinguish it from the TransactionID of Example 1.
2. SDP server to SDP client: SDP\_ServiceAttributeResponse, returning the ProtocolDescriptorList for the specified printing service. This protocol stack is assumed to be ( L2CAP ), ( RFCOMM, 2 ), ( PostscriptStream ). The ProtocolDescriptorList is a data element sequence in which each element is, in turn, a data element sequence whose first element is a UUID representing the protocol, and whose subsequent elements are protocol-specific parameters. In this example, one such parameter is included for the RFCOMM protocol, an 8-bit value indicating RFCOMM server channel 2. The Transaction ID is the same value as supplied by the SDP client in the corresponding request (`uuuu`). The Attributes returned are illustrated as a data element sequence where the protocol descriptors are 32-bit UUIDs and the RFCOMM server channel is a data element with an 8-bit value of 2.

```

/* Sent from SDP Client to SDP server */
SDP_ServiceAttributeRequest[17] {
  PDUID[1] {
    0x04
  }
  TransactionID[2] {
    0xuuuu
  }
  ParameterLength[2] {
    0x000C
  }
  ServiceRecordHandle[4] {
    0xqqqqqqqq
  }
  MaximumAttributeByteCount[2] {
    0x0080
  }
  AttributeIDList[5] {
    DataElementSequence[5] {
      0b00110 0b101 0x03
      AttributeID[3] {
        0b00001 0b001 0x0004
      }
    }
  }
}

```

*Service Discovery Protocol***Bluetooth.**

```

ContinuationState[1] {
    /* no continuation state */
    0x00
}
}

/* Sent from SDP server to SDP client */
SDP_ServiceAttributeResponse[36] {
    PDUID[1] {
        0x05
    }
    TransactionID[2] {
        0xuuuu
    }
    ParameterLength[2] {
        0x0021
    }
    AttributeListByteCount[2] {
        0x001E
    }
    AttributeList[30] {
        DataElementSequence[30] {
            0b00110 0b101 0x1C
            Attribute[28] {
                AttributeID[3] {
                    0b00001 0b001 0x0004
                }
                AttributeValue[25] {
                    /* ProtocolDescriptorList */
                    DataElementSequence[25] {
                        0b00110 0b101 0x17
                        /* L2CAP protocol descriptor */
                        DataElementSequence[7] {
                            0b00110 0b101 0x05
                            UUID[5] {
                                /* L2CAP Protocol UUID */
                                0b00011 0b010 <32-bit L2CAP UUID>
                            }
                        }
                    }
                    /* RFCOMM protocol descriptor */
                    DataElementSequence[9] {
                        0b00110 0b101 0x07
                        UUID[5] {
                            /* RFCOMM Protocol UUID */
                            0b00011 0b010 <32-bit RFCOMM UUID>
                        }
                    }
                    /* parameter for server 2 */
                    Uint8[2] {
                        0b00001 0b000 0x02
                    }
                }
            }
        }
        /* PostscriptStream protocol descriptor */
        DataElementSequence[7] {
            0b00110 0b101 0x05
            UUID[5] {
                /* PostscriptStream Protocol UUID */
                0b00011 0b010 <32-bit PostscriptStream UUID>
            }
        }
    }
}

```

```
    }
  }
}
ContinuationState[1] {
  /* no continuation state */
  0x00
}
}
```

### B.3. SDP Example 3 – ServiceSearchAttributeTransaction

The third example is a form of service browsing, although it is not generic browsing in that it does not make use of SDP browse groups. Instead, an SDP client is searching for available Synchronization services that can be presented to the user for selection. The SDP client does not specify a particular type of synchronization service. In the example, the SDP server has three available synchronization services: an address book synchronization service and a calendar synchronization service (both from the same provider), and a second calendar synchronization service from a different provider. The SDP client is retrieving the same attributes for each of these services; namely, the data formats supported for the synchronization service (vCard, vCal, iCal, etc.) and those attributes that are relevant for presenting information to the user about the services. Also assume that the maximum size of a response is 400 bytes. Since the result is larger than this, the SDP client will repeat the request supplying a continuation state parameter to retrieve the remainder of the response. The transaction illustrates:

1. SDP client to SDP server: `SDP_ServiceSearchAttributeRequest`, specifying the generic SynchronisationServiceClassID (represented as a data element whose 32-bit UUID value is `sss . . . sss`) as the only element of the ServiceSearchPattern. The SynchronisationServiceClassID is assumed to be a 32-bit UUID. The requested attributes are the ServiceRecordHandle (attribute ID 0x0000), ServiceClassIDList (attribute ID 0x0001), IconURL (attribute ID 0x000C), ServiceName (attribute ID 0x0100), ServiceDescription (attribute ID 0x0101), and ProviderName (attributeID 0x0102) attributes; as well as the service-specific SupportedDataStores (AttributeID 0x0301). Since the first two attribute IDs (0x0000 and 0x0001) and three other attribute IDs(0x0100, 0x0101, and 0x0102 are consecutive, they are specified as attribute ranges. The TransactionID is illustrated as `vvvv` to distinguish it from the TransactionIDs of the other Examples.

Note that values in the service record's primary language are requested for the text attributes (ServiceName, ServiceDescription and ProviderName) so that absolute attribute IDs may be used, rather than adding offsets to a base obtained from the LanguageBaseAttributeIDList attribute.

2. SDP server to SDP client: `SDP_ServiceSearchAttributeResponse`, returning the specified attributes for each of the three synchronization services. In the example, each ServiceClassIDList is assumed to contain a single element, the generic SynchronisationServiceClassID (a 32-bit UUID represented as `sss...sss`). Each of the other attributes contain illustrative data in the example (the strings have illustrative text; the icon URLs are illustrative, for each of the respective three synchronization services; and the SupportedDataStore attribute is represented as an unsigned 8-bit integer where 0x01 = vCard2.1, 0x02 = vCard3.0, 0x03 = vCal1.0 and 0x04 = iCal). Note that one of the service records (the third for which data is returned) has no ServiceDescription attribute. The attributes are returned as a data element sequence, where each element is in turn a data element sequence repre-



sending a list of attributes. Within each attribute list, the ServiceClassIDList is a data element sequence while the remaining attributes are single data elements. The Transaction ID is the same value as supplied by the SDP client in the corresponding request (ωωωω). Since the entire result cannot be returned in a single response, a non-null continuation state is returned in this first response.

Note that the total length of the initial data element sequence (487 in the example) is indicated in the first response, even though only a portion of this data element sequence (368 bytes in the example, as indicated in the AttributeLists byte count) is returned in the first response. The remainder of this data element sequence is returned in the second response (without an additional data element header).

3. SDP client to SDP server: SDP\_ServiceSearchAttributeRequest, with the same parameters as in step 1, except that the continuation state received from the server in step 2 is included as a request parameter. The TransactionID is changed to ωωωω to distinguish it from previous request.
4. SDP server to SDP client: SDP\_ServiceSearchAttributeResponse, with the remainder of the result computed in step 2 above. Since all of the remaining result fits in this second response, a null continuation state is included.

```

/* Part 1 -- Sent from SDP Client to SDP server */
SdpSDP_ServiceSearchAttributeRequest[33] {
  PDUID[1] {
    0x06
  }
  TransactionID[2] {
    0xvvvv
  }
  ParameterLength[2] {
    0x001B
  }
  ServiceSearchPattern[7] {
    DataElementSequence[7] {
      0b00110 0b101 0x05
      UUID[5] {
        /* SynchronisationServiceClassID */
        0b00011 0b010 0xssssssss
      }
    }
  }
  MaximumAttributeByteCount[2] {
    0x0190
  }
  AttributeIDList[18] {
    DataElementSequence[18] {
      0b00110 0b101 0x10
      AttributeIDRange[5] {
        0b00001 0b010 0x00000001
      }
      AttributeID[3] {
        0b00001 0b001 0x000C
      }
    }
  }
}

```

```

    }
    AttributeIDRange[5] {
        0b00001 0b010 0x01000102
    }
    AttributeID[3] {
        0b00001 0b001 0x0301
    }
}
ContinuationState[1] {
    /* no continuation state */
    0x00
}
}

/* Part 2 -- Sent from SDP server to SDP client */
SdpSDP_ServiceSearchAttributeResponse[384] {
    PDUID[1] {
        0x07
    }
    TransactionID[2] {
        0xvvvv
    }
    ParameterLength[2] {
        0x017B
    }
    AttributeListByteCount[2] {
        0x0170
    }
    AttributeLists[368] {
        DataElementSequence[487] {
            0b00110 0b110 0x01E4
            DataElementSequence[178] {
                0b00110 0b101 0xB0
                Attribute[8] {
                    AttributeID[3] {
                        0b00001 0b001 0x0000
                    }
                    AttributeValue[5] {
                        /* service record handle */
                        0b00001 0b010 0xhhhhhhhh
                    }
                }
                Attribute[10] {
                    AttributeID[3] {
                        0b00001 0b001 0x0001
                    }
                }
            }
        }
        AttributeValue[7] {
            DataElementSequence[7] {
                0b00110 0b101 0x05
                UUID[5] {
                    /* SynchronisationServiceClassID */
                    0b00011 0b010 0xssssssss
                }
            }
        }
    }
    Attribute[35] {

```

```

        AttributeID[3] {
            0b00001 0b001 0x000C
        }
        AttributeValue[32] {
            /* IconURL; '*' replaced by client application */
            0b01000 0b101 0x1E
            "http://Synchronisation/icons/*"
        }
    }
    Attribute[22] {
        AttributeID[3] {
            0b00001 0b001 0x0100
        }
        AttributeValue[19] {
            /* service name */
            0b00100 0b101 0x11
            "Address Book Sync"
        }
    }
    Attribute[59] {
        AttributeID[3] {
            0b00001 0b001 0x0101
        }
        AttributeValue[56] {
            /* service description */
            0b00100 0b101 0x36
            "Synchronisation Service for"
            " vCard Address Book Entries"
        }
    }
    Attribute[37] {
        AttributeID[3] {
            0b00001 0b001 0x0102
        }
        AttributeValue[34] {
            /* service provider */
            0b00100 0b101 0x20
            "Synchronisation Specialists Inc."
        }
    }
    Attribute[5] {
        AttributeID[3] {
            0b00001 0b001 0x0301
        }
        AttributeValue[2] {
            /* Supported Data Store 'phonebook' */
            0b00001 0b000 0x01
        }
    }
}
DataElementSequence[175] {
    0b00110 0b101 0xAD
    Attribute[8] {
        AttributeID[3] {
            0b00001 0b001 0x0000
        }
        AttributeValue[5] {

```

```

        /* service record handle */
        0b00001 0b010 0xxxxxxxxxxxx
    }
}
Attribute[10] {
    AttributeID[3] {
        0b00001 0b001 0x0001
    }
    AttributeValue[7] {
        DataElementSequence[7] {
            0b00110 0b101 0x05
            UUID[5] {
                /* SynchronisationServiceClassID */
                0b00011 0b010 0xxxxxxxxxx
            }
        }
    }
}
Attribute[35] {
    AttributeID[3] {
        0b00001 0b001 0x000C
    }
    AttributeValue[32] {
        /* IconURL; '*' replaced by client application */
        0b01000 0b101 0x1E
        "http://Synchronisation/icons/*"
    }
}
Attribute[21] {
    AttributeID[3] {
        0b00001 0b001 0x0100
    }
    AttributeValue[18] {
        /* service name */
        0b00100 0b101 0x10
        "Appointment Sync"
    }
}
Attribute[57] {
    AttributeID[3] {
        0b00001 0b001 0x0101
    }
    AttributeValue[54] {
        /* service description */
        0b00100 0b101 0x34
        "Synchronisation Service for"
        " vCal Appointment Entries"
    }
}
Attribute[37] {
    AttributeID[3] {
        0b00001 0b001 0x0102
    }
    AttributeValue[34] {
        /* service provider */
        0b00100 0b101 0x20
        "Synchronisation Specialists Inc."
    }
}

```

```

    }
  }
  Attribute[5] {
    AttributeID[3] {
      0b00001 0b001 0x0301
    }
    AttributeValue[2] {
      /* Supported Data Store 'calendar' */
      0b00001 0b000 0x03
    }
  }
}
/* } Data element sequence of attribute lists */
/* is not completed in this PDU. */
}
ContinuationState[9] {
  /* 8 bytes of continuation state */
  0x08 0xzzzzzzzzzzzzzzzzzzzz
}
}

/* Part 3 -- Sent from SDP Client to SDP server */
SdpSDP_ServiceSearchAttributeRequest[41] {
  PDUID[1] {
    0x06
  }
  TransactionID[2] {
    0xwww
  }
  ParameterLength[2] {
    0x0024
  }
  ServiceSearchPattern[7] {
    DataElementSequence[7] {
      0b00110 0b101 0x05
      UUID[5] {
        /* SynchronisationServiceClassID */
        0b00011 0b010 0xssssssss
      }
    }
  }
  MaximumAttributeByteCount[2] {
    0x0180
  }
  AttributeIDList[18] {
    DataElementSequence[18] {
      0b00110 0b101 0x10
      AttributeIDRange[5] {
        0b00001 0b010 0x00000001
      }
      AttributeID[3] {
        0b00001 0b001 0x000C
      }
      AttributeIDRange[5] {
        0b00001 0b010 0x01000102
      }
      AttributeID[3] {

```

```

        0b00001 0b001 0x0301
    }
}
ContinuationState[9] {
    /* same 8 bytes of continuation state */
    /* received in part 2 */
    0x08 0xzzzzzzzzzzzzzzzzzz
}
}

```

Part 4 -- Sent from SDP server to SDP client

```

SdpSDP_ServiceSearchAttributeResponse[115] {
    PDUID[1] {
        0x07
    }
    TransactionID[2] {
        0xwww
    }
    ParameterLength[2] {
        0x006E
    }
    AttributeListByteCount[2] {
        0x006B
    }
    AttributeLists[107] {
        /* Continuing the data element sequence of */
        /* attribute lists begun in Part 2. */
        DataElementSequence[107] {
            0b00110 0b101 0x69
            Attribute[8] {
                AttributeID[3] {
                    0b00001 0b001 0x0000
                }
                AttributeValue[5] {
                    /* service record handle */
                    0b00001 0b010 0xffffffff
                }
            }
            Attribute[10] {
                AttributeID[3] {
                    0b00001 0b001 0x0001
                }
                AttributeValue[7] {
                    DataElementSequence[7] {
                        0b00110 0b101 0x05
                        UUID[5] {
                            /* SynchronisationServiceClassID */
                            0b00011 0b010 0xssssssss
                        }
                    }
                }
            }
            Attribute[35] {
                AttributeID[3] {
                    0b00001 0b001 0x000C
                }
            }
        }
    }
}

```

```

    }
    AttributeValue[32] {
        /* IconURL; '*' replaced by client application */
        0b01000 0b101 0x1E
        "http://DevManufacturer/icons/*"
    }
}
Attribute[18] {
    AttributeID[3] {
        0b00001 0b001 0x0100
    }
    AttributeValue[15] {
        /* service name */
        0b00100 0b101 0x0D
        "Calendar Sync"
    }
}
Attribute[29] {
    AttributeID[3] {
        0b00001 0b001 0x0102
    }
    AttributeValue[26] {
        /* service provider */
        0b00100 0b101 0x18
        "Device Manufacturer Inc."
    }
}
Attribute[5] {
    AttributeID[3] {
        0b00001 0b001 0x0301
    }
    AttributeValue[2] {
        /* Supported Data Store 'calendar' */
        0b00001 0b000 0x03
    }
}
}
/* This completes the data element sequence */
/* of attribute lists begun in Part 2.
}
ContinuationState[1] {
    /* no continuation state */
    0x00
}
}

```

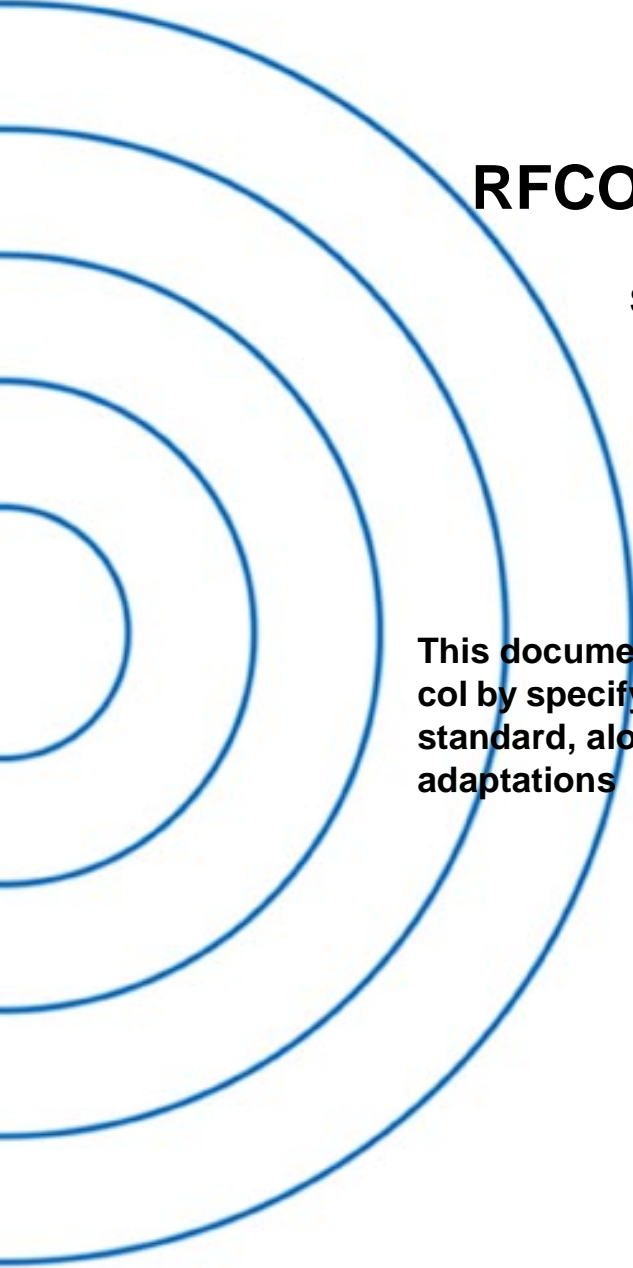




## **Part F:1**

# **RFCOMM with TS 07.10**

## **Serial Port Emulation**



**This document specifies the RFCOMM protocol by specifying a subset of the ETSI TS 07.10 standard, along with some Bluetooth-specific adaptations**



**CONTENTS**

<b>1</b>	<b>Introduction .....</b>	<b>389</b>
1.1	Overview .....	389
1.2	Device Types .....	389
1.3	Byte Ordering .....	390
<b>2</b>	<b>RFCOMM Service Overview .....</b>	<b>391</b>
2.1	RS-232 Control Signals.....	391
2.2	Null Modem Emulation.....	391
2.3	Multiple Emulated Serial Ports .....	393
2.3.1	Multiple Emulated Serial Ports between two Devices .....	393
2.3.2	Multiple Emulated Serial Ports and Multiple BT Devices.....	393
<b>3</b>	<b>Service Interface Description.....</b>	<b>395</b>
3.1	Service Definition Model .....	395
<b>4</b>	<b>TS 07.10 Subset Supported by RFCOMM .....</b>	<b>396</b>
4.1	Options and Modes .....	396
4.2	Frame Types .....	396
4.3	Commands.....	396
4.4	Convergence Layers .....	397
<b>5</b>	<b>TS 07.10 Adaptations for RFCOMM .....</b>	<b>398</b>
5.1	Media Adaptation .....	398
5.1.1	FCS calculation .....	398
5.2	TS 07.10 Multiplexer Start-up and Closedown Procedure .....	399
5.2.1	Start-up procedure .....	399
5.2.2	Close-down procedure .....	399
5.2.3	Link loss handling.....	399
5.3	System Parameters.....	400
5.4	DLCI allocation with RFCOMM server channels.....	400
5.5	Multiplexer Control Commands.....	401
5.5.1	Remote Port Negotiation Command (RPN) .....	401
5.5.2	Remote Line Status Command (RLS).....	402
5.5.3	DLC parameter negotiation (PN).....	402
<b>6</b>	<b>Flow Control .....</b>	<b>403</b>
6.1	L2CAP Flow Control in Overview.....	403
6.2	Wired Serial Port Flow Control.....	403
6.3	RFCOMM Flow Control.....	403
6.4	Port Emulation Entity Serial Flow Control .....	403

<b>7</b>	<b>Interaction with Other Entities .....</b>	<b>405</b>
7.1	Port Emulation and Port Proxy Entities.....	405
7.1.1	Port Emulation Entity.....	405
7.1.2	Port Proxy Entity .....	405
7.2	Service Registration and Discovery .....	405
7.3	Lower Layer Dependencies .....	407
7.3.1	Reliability.....	407
7.3.2	Low power modes .....	407
<b>8</b>	<b>References.....</b>	<b>408</b>
<b>9</b>	<b>Terms and Abbreviations .....</b>	<b>409</b>

# 1 INTRODUCTION

The RFCOMM protocol provides emulation of serial ports over the L2CAP protocol. The protocol is based on the ETSI standard TS 07.10. This document does not contain a complete specification. Instead, references are made to the relevant parts of the TS 07.10 standard. Only a subset of the TS 07.10 standard is used, and some adaptations of the protocol are specified in this document.

## 1.1 OVERVIEW

RFCOMM is a simple transport protocol, with additional provisions for emulating the 9 circuits of RS-232 (EIA/TIA-232-E) serial ports.

The RFCOMM protocol supports up to 60 simultaneous connections between two BT devices. The number of connections that can be used simultaneously in a BT device is implementation-specific.

## 1.2 DEVICE TYPES

For the purposes of RFCOMM, a complete communication path involves two applications running on different devices (the communication endpoints) with a communication segment between them. [Figure 1.1](#) shows the complete communication path. (In this context, the term *application* may mean other things than end-user application; e.g. higher layer protocols or other services acting on behalf of end-user applications.)

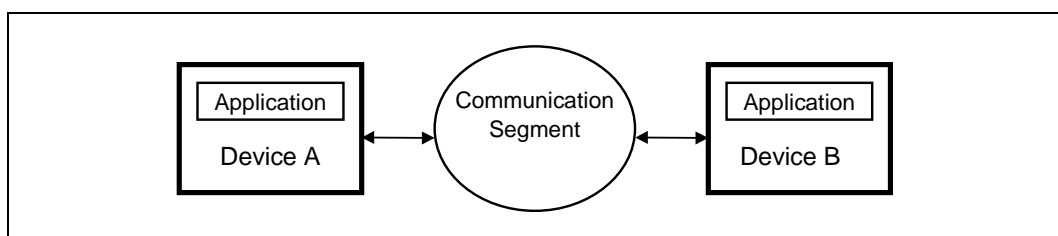


Figure 1.1: RFCOMM Communication Segment

RFCOMM is intended to cover applications that make use of the serial ports of the devices in which they reside. In the simple configuration, the communication segment is a BT link from one device to another (direct connect), see [Figure 1.2](#). Where the communication segment is another network, BT is used for the path between the device and a network connection device like a modem. RFCOMM is only concerned with the connection between the devices in the direct connect case, or between the device and a modem in the network case. RFCOMM can support other configurations, such as modules that communicate via BT on one side and provide a wired interface on the other side, as shown in [Figure 1.3](#). These devices are not really modems but offer a similar service. They are therefore not explicitly discussed here.

Basically two device types exist that RFCOMM must accommodate. Type 1 devices are communication end points such as computers and printers. Type 2 devices are those that are part of the communication segment; e.g. modems. Though RFCOMM does not make a distinction between these two device types in the protocol, accommodating both types of devices impacts the RFCOMM protocol.

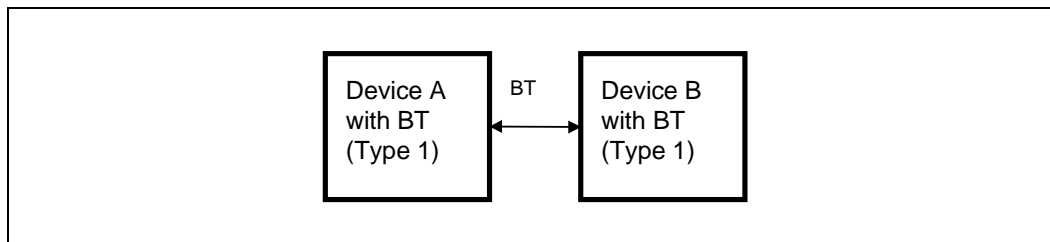


Figure 1.2: RFCOMM Direct Connect

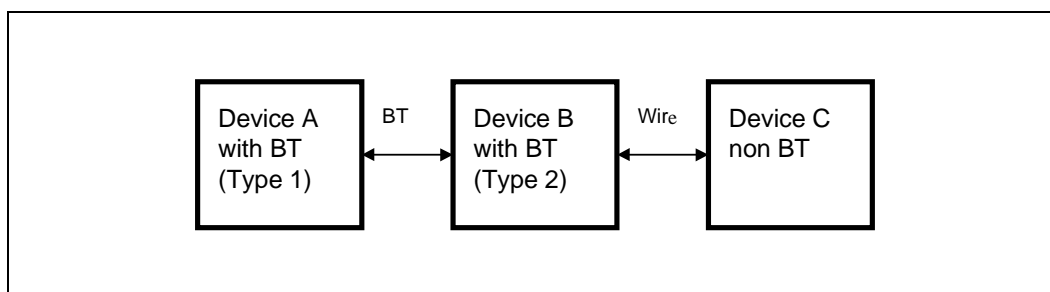


Figure 1.3: RFCOMM used with legacy COM device

The information transferred between two RFCOMM entities has been defined to support both type 1 and type 2 devices. Some information is only needed by type 2 devices while other information is intended to be used by both. In the protocol, no distinction is made between type 1 and type 2. It is therefore up to the RFCOMM implementers to determine if the information passed in the RFCOMM protocol is of use to the implementation. Since the device is not aware of the type of the other device in the communication path, each must pass on all available information specified by the protocol.

### 1.3 BYTE ORDERING

This document uses the same byte ordering as the TS 07.10 specification; i.e. all binary numbers are in Least Significant Bit to Most Significant Bit order, reading from left to right.

## 2 RFCOMM SERVICE OVERVIEW

RFCOMM emulates RS-232 (EIA/TIA-232-E) serial ports. The emulation includes transfer of the state of the non-data circuits. RFCOMM has a built-in scheme for null modem emulation.

In the event that a baud rate is set for a particular port through the RFCOMM service interface, that will not affect the actual data throughput in RFCOMM; i.e. RFCOMM does not incur artificial rate limitation or pacing. However, if either device is a type 2 device (relays data onto other media), or if data pacing is done above the RFCOMM service interface in either or both ends, actual throughput will, on an average, reflect the baud rate setting.

RFCOMM supports emulation of multiple serial ports between two devices and also emulation of serial ports between multiple devices, see [Section 2.3 on page 393](#).

### 2.1 RS-232 CONTROL SIGNALS

RFCOMM emulates the 9 circuits of an RS-232 interface. The circuits are listed below.

Pin	Circuit Name
102	Signal Common
103	Transmit Data (TD)
104	Received Data (RD)
105	Request to Send (RTS)
106	Clear to Send (CTS)
107	Data Set Ready (DSR)
108	Data Terminal Ready (DTR)
109	Data Carrier Detect (CD)
125	Ring Indicator (RI)

Table 2.1: Emulated RS-232 circuits in RFCOMM

### 2.2 NULL MODEM EMULATION

RFCOMM is based on TS 07.10. When it comes to transfer of the states of the non-data circuits, TS 07.10 does not distinguish between DTE and DCE devices. The RS-232 control signals are sent as a number of DTE/DCE independent signals, see [Table 2.2](#).

TS 07.10 Signals	Corresponding RS-232 Control Signals
RTC	DSR, DTR
RTR	RTS, CTS
IC	RI
DV	DCD

Table 2.2: TS 07.10 Serial Port Control Signals

The way in which TS 07.10 transfers the RS-232 control signals creates an implicit null modem when two devices of the same kind are connected together. Figure 2.1 shows the null modem that is created when two DTE are connected via RFCOMM. No single null-modem cable wiring scheme works in all cases; however the null modem scheme provided in RFCOMM should work in most cases.

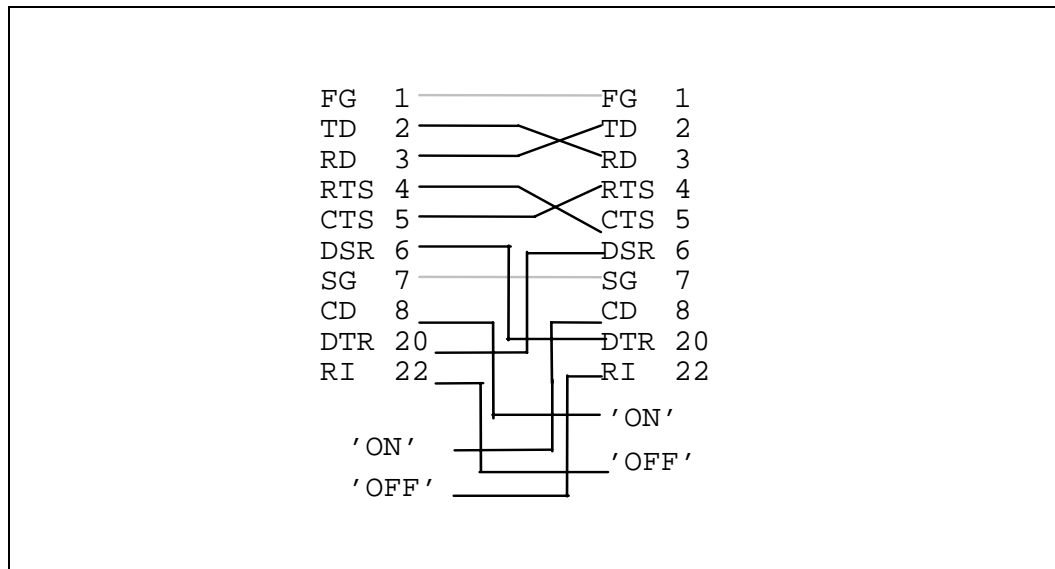


Figure 2.1: RFCOMM DTE-DTE Null Modem Emulation



## 2.3 MULTIPLE EMULATED SERIAL PORTS

### 2.3.1 Multiple Emulated Serial Ports between two Devices

Two BT devices using RFCOMM in their communication may open multiple emulated serial ports. RFCOMM supports up to 60 open emulated ports; however the number of ports that can be used in a device is implementation-specific.

A Data Link Connection Identifier (DLCI) [1] identifies an ongoing connection between a client and a server application. The DLCI is represented by 6 bits, but its usable value range is 2...61; in TS 07.10, DLCI 0 is the dedicated control channel, DLCI 1 is unusable due to the concept of Server Channels, and DLCI 62-63 is reserved. The DLCI is unique within one RFCOMM session between two devices. (This is explained further in [Section 2.3.2](#)) To account for the fact that both client and server applications may reside on both sides of an RFCOMM session, with clients on either side making connections independent of each other, the DLCI value space is divided between the two communicating devices using the concept of RFCOMM server channels. This is further described in [Section 5.4](#).

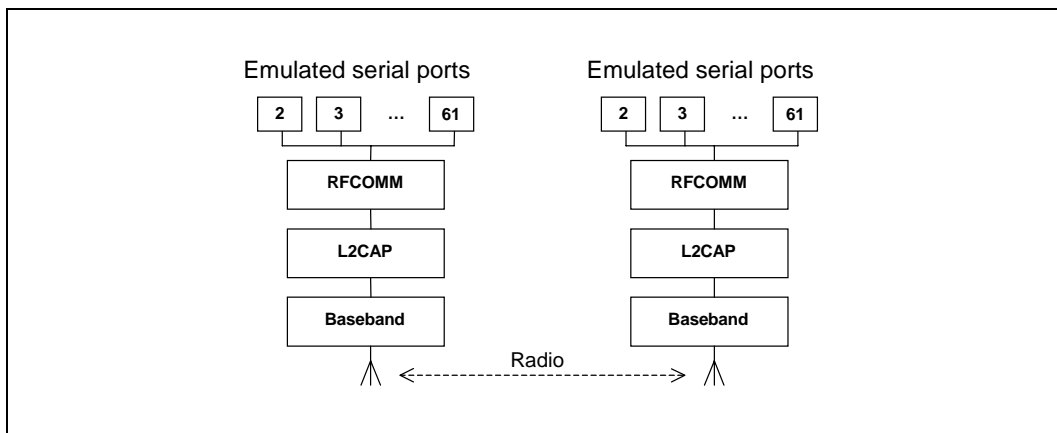


Figure 2.2: Multiple Emulated Serial Ports.

### 2.3.2 Multiple Emulated Serial Ports and Multiple BT Devices

If a BT device supports multiple emulated serial ports and the connections are allowed to have endpoints in different BT devices, then the RFCOMM entity must be able to run multiple TS 07.10 multiplexer sessions, see [Figure 2.3](#). Note that each multiplexer session is using its own L2CAP channel ID (CID). The ability to run multiple sessions of the TS 07.10 multiplexer is optional for RFCOMM.

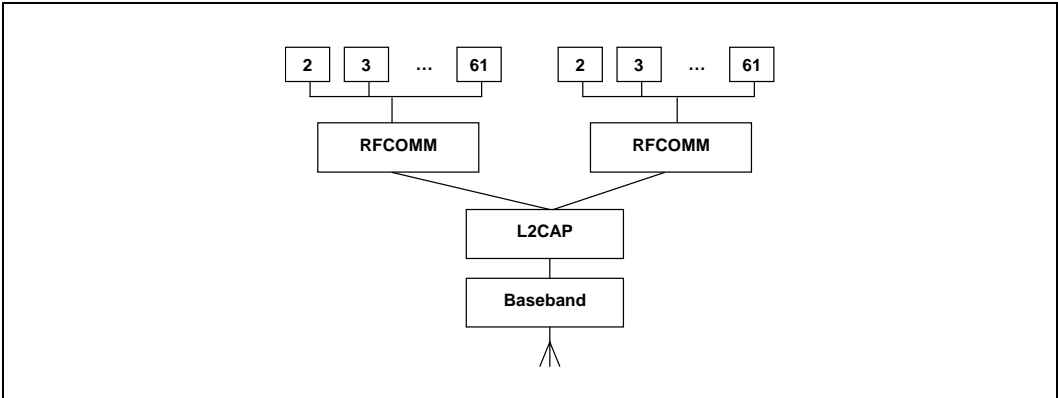


Figure 2.3: Emulating serial ports coming from two BT devices.

### 3 SERVICE INTERFACE DESCRIPTION

RFCOMM is intended to define a protocol that can be used to emulate serial ports. In most systems, RFCOMM will be part of a port driver which includes a serial port emulation entity.

#### 3.1 SERVICE DEFINITION MODEL

The figure below shows a model of how RFCOMM fits into a typical system. This figure represents the RFCOMM reference model.

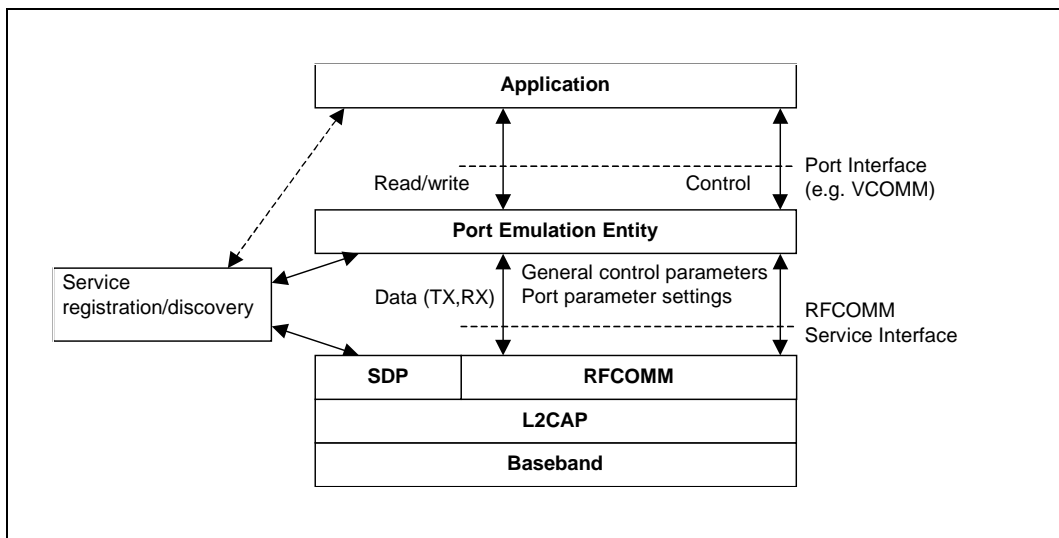


Figure 3.1: RFCOMM reference model

The elements of the RFCOMM reference model are described below.

Element	Description
Application	Applications that utilize a serial port communication interface
Port Emulation Entity	The port emulation entity maps a system-specific communication interface (API) to the RFCOMM services. The port emulation entity plus RFCOMM make up a port driver
RFCOMM	Provides a transparent data stream and control channel over an L2CAP channel. Multiplexes multiple emulated serial ports
Service Registration/ Discovery	Server applications register here on local device, and it provides services for client applications to discover how to reach server applications on other devices
L2CAP	Protocol multiplexing, SAR
Baseband	Baseband protocols defined by BT

## 4 TS 07.10 SUBSET SUPPORTED BY RFCOMM

### 4.1 OPTIONS AND MODES

RFCOMM uses the basic option of TS 07.10.

### 4.2 FRAME TYPES

Table 4.1 shows the TS 7.10 frame types that are supported in RFCOMM.

Frame Types
Set Asynchronous Balanced Mode (SABM) command
Unnumbered Acknowledgement (UA) response
Disconnected Mode (DM) response
Disconnect (DISC) command
Unnumbered information with header check (UIH) command and response

Table 4.1: Supported frame types in RFCOMM

The 'Unnumbered Information (UI) command and response' are not supported by RFCOMM. Since the error recovery mode option of the TS 07.10 protocol is not used in RFCOMM none of the associated frame types are supported.

### 4.3 COMMANDS

TS 07.10 defines a multiplexer that has a dedicated control channel, DLCI 0. The control channel is used to convey information between two multiplexers. The following commands in TS 07.10 are supported by RFCOMM:

Supported Control Channel Commands
Test Command (Test)
Flow Control On Command (Fcon)
Flow Control Off Command (Fcoff)
Modem Status Command (MSC)
Remote Port Negotiation Command (RPN)
Remote Line Status (RLS)
DLC parameter negotiation (PN)
Non Supported Command Response (NSC)

Whenever a non-supported command type is received a 'Non-Supported Command Response (NSC)' should be sent.

## **4.4 CONVERGENCE LAYERS**

RFCOMM only supports the type 1 convergence layer in TS 07.10.

The Modem Status Command (MSC) shall be used to convey the RS-232 control signals and the break signal for all emulated serial ports.

## 5 TS 07.10 ADAPTATIONS FOR RFCOMM

### 5.1 MEDIA ADAPTATION

The opening flag and the closing flags in the 07.10 basic option frame are not used in RFCOMM, instead it is only the fields contained between the flags that are exchanged between the L2CAP layer and RFCOMM layer, see [Figure 5.1](#).

Flag	Address	Control	Length Indicator	Information	FCS	Flag
0111 1101	1 octet	1 octet	1 or 2 octets	Unspecified length but integral number of octets	1 octet	0111 1101

Figure 5.1: Frame Structure for Basic option. Note that the opening and closing flags from the 07.10 Basic option are excluded in RFCOMM.

#### 5.1.1 FCS calculation

In 07.10, the frame check sequence (FCS) is calculated on different sets of fields for different frame types. These are the fields that the FCS are calculated on:

For SABM, DISC, UA, DM frames: on Address, Control and length field.

For UIH frames: on Address and Control field.

(This is stated here for clarification, and to set the standard for RFCOMM; the fields included in FCS calculation have actually changed in version 7.0.0 of TS 07.10, but RFCOMM will not change the FCS calculation scheme from the one above.)

## 5.2 TS 07.10 MULTIPLEXER START-UP AND CLOSEDOWN PROCEDURE

The start-up and closedown procedures as specified in section 5.7 in TS 07.10 are not supported. This means that the AT-command AT+CMUX is not supported by RFCOMM, neither is the multiplexer close down (CLD) command.

At any time, there must be at most one RFCOMM session between any pair of devices. When establishing a new DLC, the initiating entity must check if there already exists an RFCOMM session with the remote device, and if so, establish the new DLC on that. A session is identified by the Bluetooth BD\_ADDR of the two endpoints<sup>1</sup>.

### 5.2.1 Start-up procedure

The device opening up the first emulated serial port connection between two devices is responsible for first establishing the multiplexer control channel. This involves the following steps:

- Establish an L2CAP channel to the peer RFCOMM entity, using L2CAP service primitives, see [L2CAP “Service Primitives” on page 295](#).
- Start the RFCOMM multiplexer by sending SABM command on DLCI 0, and await UA response from peer entity. (Further optional negotiation steps are possible.)

After these steps, DLCs for user data traffic can be established.

### 5.2.2 Close-down procedure

The device closing the last connection (DLC) on a particular session is responsible for closing the multiplexer by closing the corresponding L2CAP channel.

Closing the multiplexer by first sending a DISC command frame on DLCI 0 is optional, but it is mandatory to respond correctly to a DISC (with UA response).

### 5.2.3 Link loss handling

If an L2CAP link loss notification is received, the local RFCOMM entity is responsible for sending a connection loss notification to the port emulation/proxy entity for each active DLC. Then all resources associated with the RFCOMM session should be freed.

The appropriate action to take in the port emulation/proxy entity depends on the API on top. For example, for an emulated serial port (vCOMM), it would be suitable to drop CD, DSR and CTS signals (assuming device is a DTE).

---

1. This implies that, when responding to an L2CAP connection indication, the RFCOMM entity should save and associate the new RFCOMM session with the remote BD\_ADDR. This is, at least, necessary if subsequent establishment of a DLC in the opposite direction is possible (which may depend on device capabilities).

### 5.3 SYSTEM PARAMETERS

Table 5.1 contains all the applicable system parameters for the RFCOMM implementation of the TS 07.10 multiplexer.

System Parameter	Value
Maximum Frame Size ( <i>N1</i> )	Default: 127 (negotiable range 23 – 32767)
Acknowledgement Timer ( <i>T1</i> )	60 seconds
Response Timer for Multiplexer Control Channel ( <i>T2</i> )	60 seconds

Table 5.1: System parameter values

Note: The timer T1 is the timeout for *frames* sent with the P/F-bit set to one (this applies only to SABM and DISC frames in RFCOMM). T2 is the timeout for *commands* sent in UIH frames on DLCI 0.

Since RFCOMM relies on lower layers to provide reliable transmission, the default action performed on timeouts is to close down the multiplexer session. The only exception to this is when trying to set up a new DLC on an existing session; i.e. waiting for the UA response for a SABM command. In this case, the initiating side may defer the timeout by an unspecified amount of time if it has knowledge that the delay is due to user interaction (e.g. authentication procedure in progress). When/if the connection attempt is eventually considered to have timed out, the initiating side must send a DISC command frame on the same DLCI as the original SABM command frame, in order to notify the other party that the connection attempt is aborted. (After that the initiating side will, as usual, expect a UA response for the DISC command.)

### 5.4 DLCI ALLOCATION WITH RFCOMM SERVER CHANNELS

To account for the fact that both client and server applications may reside on both sides of an RFCOMM session, with clients on either side making connections independent of each other, the DLCI value space is divided between the two communicating devices using the concept of RFCOMM server channels and a direction bit.

The RFCOMM server channel number is a subset of the bits in the DLCI part of the address field in the TS 07.10 frame.

Bit No.	1	2	3	4	5	6	7	8
TS 07.10	EA	C/R	DLCI					
RFCOMM	EA	C/R	D	Server Channel				

Table 5.2: The format of the Address Field



Server applications registering with an RFCOMM service interface are assigned a Server Channel number in the range 1...30. [0 and 31 should not be used since the corresponding DLCIs are reserved in TS 07.10] It is this value that should be registered in the Service Discovery Database, see [Section 7.2](#).

For an RFCOMM session, the initiating device is given the direction bit  $D=1$  (and conversely,  $D=0$  in the other device). When establishing a new data link connection on an existing RFCOMM session, the direction bit is used in conjunction with the Server Channel to determine the DLCI to use to connect to a specific application. This DLCI is thereafter used for all packets in both directions between the endpoints.

In effect, this partitions the DLCI value space such that server applications on the non-initiating device are reachable on DLCIs 2,4,6,...,60; and server applications on the initiating device are reachable on DLCIs 3,5,7,...,61. (Note that for a device that supports multiple simultaneous RFCOMM sessions to two or more devices, the direction bit might not be the same on all sessions.)

An RFCOMM entity making a new DLC on an existing session forms the DLCI by combining the Server Channel for the application on the other device, and the inverse of its own direction bit for the session.

DLCI 1 and 62-63 are reserved and never used in RFCOMM.

## 5.5 MULTIPLEXER CONTROL COMMANDS

Note that in TS 07.10, some Multiplexer Control commands pertaining to specific DLCIs may be exchanged on the control channel (DLCI 0) *before* the corresponding DLC has been established. (This refers the PN and RPN commands.) All such states associated with an individual DLC must be reset to their default values upon receiving a DISC command frame, or when closing the DLC from the local side. This is to ensure that all DLC (re-)establishments on the same session will have predictable results, irrespective of the session history.

### 5.5.1 Remote Port Negotiation Command (RPN)

The RPN command can be used before a new DLC is opened and should be used whenever the port settings change.

The RPN command is specified as optional in TS 07.10, but it is mandatory to recognize and respond to it in RFCOMM. (Although the handling of individual settings are implementation-dependent.)

### 5.5.2 Remote Line Status Command (RLS)

This command is used for indication of remote port line status.

The RLS command is specified as optional in TS 07.10, but it is mandatory to recognize and respond to it in RFCOMM. (Although the handling of individual settings are implementation-dependent.)

### 5.5.3 DLC parameter negotiation (PN)

The PN command is specified as optional in TS 07.10, but it is mandatory to recognize and respond to it in RFCOMM. This command can be used before a new DLC is opened.

There are some parameters in the PN command which convey information not applicable to RFCOMM. These fields must therefore be set to predetermined values by the sender, and they must be ignored by the receiver. This concern the following fields (see table 3 in ref. [1]):

- I1-I4 must be set to 0. (Meaning: use UIH frames.)
- CL1-CL4 must be set to 0. (Meaning: use convergence layer type 1.)
- T1-T8 must be set to 0. (Meaning: acknowledgment timer *T1*, which is not negotiable in RFCOMM.)
- NA1-NA8 must be set to 0. (Meaning: number of retransmissions *N2*; always 0 for RFCOMM)
- K1-K3 must be set to 0. (Meaning: defines the window size for error recovery mode, which is not used for RFCOMM.)

If a command is received with invalid (or for some reason unacceptable) values in any field, a DLC parameter negotiation response must be issued with values that are acceptable to the responding device.

## 6 FLOW CONTROL

---

Wired ports commonly use flow control such as RTS/CTS to control communications. On the other hand, the flow control between RFCOMM and the lower layer L2CAP depends on the service interface supported by the implementation. In addition RFCOMM has its own flow control mechanisms. This section describes the different flow control mechanisms.

### 6.1 L2CAP FLOW CONTROL IN OVERVIEW

L2CAP relies on the flow control mechanism provided by the Link Manager layer in the baseband. The flow control mechanism between the L2CAP and RFCOMM layers is implementation-specific.

### 6.2 WIRED SERIAL PORT FLOW CONTROL

Wired Serial ports falls into two camps – software flow control using characters such as XON/XOFF, and flow control using RTS/CTS or DTR/DSR circuits. These methods may be used by both sides of a wired link, or may be used only in one direction.

### 6.3 RFCOMM FLOW CONTROL

The RFCOMM protocol provides two flow control mechanisms:

1. The RFCOMM protocol contains flow control commands that operate on the aggregate data flow between two RFCOMM entities; i.e. all DLCIs are affected. The control channel commands, FCon and FCoff, are defined in section 5.4.6.3 in ref [1].
2. The Modem Status command as defined in section 5.4.6.3 in ref [1] is the flow control mechanism that operates on individual DLCI.

### 6.4 PORT EMULATION ENTITY SERIAL FLOW CONTROL

On Type 1 devices some port drivers (Port Emulation Entities plus RFCOMM) will need to provide flow control services as specified by the API they are emulating. An application may request a particular flow control mechanism like XON/XOFF or RTS/CTS and expect the port driver to handle the flow control. On type 2 devices the port driver may need to perform flow control on the non-RFCOMM part of the communication path; i.e. the physical RS-232 port. This flow control is specified via the control parameters sent by the peer RFCOMM entity (usually a type 1 device). The description of flow control in this section is for port drivers on type 1 devices.

Since RFCOMM already has its own flow control mechanism, the port driver does not need to perform flow control using the methods requested by the application. In the ideal case, the application sets a flow control mechanism

and assumes that the COMM system will handle the details. The port driver could then simply ignore the request and rely on RFCOMM's flow control. The application is able to send and receive data, and does not know or care that the port driver did not perform flow control using the mechanism requested. However, in the real world some problems arise.

- The RFCOMM-based port driver is running on top of a packet-based protocol where data may be buffered somewhere in the communication path. Thus, the port driver cannot perform flow control with the same precision as in the wired case.
- The application may decide to apply the flow control mechanism itself in addition to requesting flow control from the port driver.

These problems suggest that the port driver must do some additional work to perform flow control emulation properly. Here are the basic rules for flow control emulation.

- The port driver will not solely rely on the mechanism requested by the application but use a combination of flow control mechanisms.
- The port driver must be aware of the flow control mechanisms requested by the application and behave like the wired case when it sees changes on the non-data circuits (hardware flow control) or flow control characters in the incoming data (software flow control). For example, if XOFF and XON characters would have been stripped in the wired case they must be stripped by the RFCOMM based port driver.
- If the application sets a flow control mechanism via the port driver interface and then proceeds to invoke the mechanism on its own, the port driver must behave in a manner similar to that of the wired case (e.g. If XOFF and XON characters would have been passed through to the wire in the wired case the port driver must also pass these characters).

These basic rules are applied to emulate each of the wired flow control schemes. Note that multiple types of flow control can be set at the same time. Section 5.4.8 in ref [1] defines each flow control mechanism.

## 7 INTERACTION WITH OTHER ENTITIES

### 7.1 PORT EMULATION AND PORT PROXY ENTITIES

This section defines how the RFCOMM protocol should be used to emulate serial ports. [Figure 7.1](#) shows the two device types that the RFCOMM protocol supports.

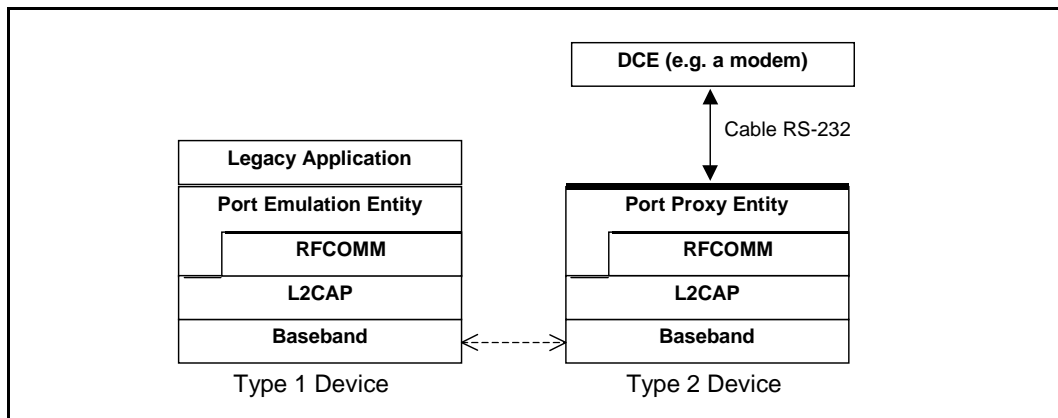


Figure 7.1: The RFCOMM communication model

Type 1 devices are communication endpoints such as computers and printers. Type 2 devices are part of a communication segment; e.g. modems.

#### 7.1.1 Port Emulation Entity

The port emulation entity maps a system specific communication interface (API) to the RFCOMM services.

#### 7.1.2 Port Proxy Entity

The port proxy entity relays data from RFCOMM to an external RS-232 interface linked to a DCE. The communications parameters of the RS-232 interface are set according to received RPN commands, see [Section 5.5.1](#).

## 7.2 SERVICE REGISTRATION AND DISCOVERY

Registration of individual applications or services, along with the information needed to reach those (i.e. the RFCOMM Server Channel) is the responsibility of each application respectively (or possibly a Bluetooth configuration application acting on behalf of legacy applications not directly aware of Bluetooth).

Below is a template/example for developing service records for a given service or profile using RFCOMM. It illustrates the inclusion of the ServiceClassList with a single service class, a ProtocolDescriptor List with two protocols

(although there may be more protocols on top of RFCOMM). The example shows the use of one other universal attribute (ServiceName). For each service running on top of RFCOMM, appropriate SDP-defined universal attributes and/or service-specific attributes will apply. For additional information on Service Records, see the SDP Specification, [Section 2.2 on page 332](#).

The attributes that a client application needs (at a minimum) to connect to a service on top of RFCOMM are the ServiceClassIDList and the ProtocolDescriptorList (corresponding to the shaded rows in the table below).

Item	Definition	Type/Size	Value	Attribute ID
ServiceClassIDList			Note1	0x0001
ServiceClass0	Note5	UUID/32-bit	Note1	
ProtocolDescriptorList				0x0004
Protocol0	L2CAP	UUID/32-bit	L2CAP /Note1	
Protocol1	RFCOMM	UUID/32-bit	RFCOMM /Note1	
ProtocolSpecificParameter0	Server Channel	Uint8	N = server channel #	
[other protocols]		UUID/32-bit	Note1	
[other protocol-specific parameters]	Note3	Note3	Note3	
ServiceName	Displayable text name	DataElement/String	'Example service'	Note2
[other universal attributes as appropriate for this service]	Note4	Note4	Note4	Note4
[service-specific attributes]	Note3	Note3	Note3	Note3

Notes:

1. Defined in [“Bluetooth Assigned Numbers” on page 1009](#).
2. For national language support for all 'displayable' text string attributes, an offset has to be added to the LanguageBaseAttributeIDList value for the selected language (see the SDP Specification, [Section 5.1.14 on page 365](#) for details).
3. To be defined (where necessary) for the specific service.
4. For a specific service some of the SDP-defined universal attributes may apply. See the SDP Specification, [Section 5.1 on page 358](#).
5. This indicates the class of service. It can be a single entry or a list of service classes ranging from generic to most specific.

## 7.3 LOWER LAYER DEPENDENCIES

### 7.3.1 Reliability

RFCOMM uses the services of L2CAP to establish L2CAP channels to RFCOMM entities on other devices. An L2CAP channel is used for the RFCOMM/TS 07.10 multiplexer session. On such a channel, the TS 07.10 frames listed in [Section 4.2](#) are sent, with the adaptation defined in [Section 5.1](#).

Some frame types (SABM and DISC) as well as UIH frames with multiplexer control commands sent on DLCI 0 always require a response from the remote entity, so they are acknowledged on the RFCOMM level (but not retransmitted in the absence of acknowledgment, see [Section 5.3](#)). Data frames do not require any response in the RFCOMM protocol, and are thus unacknowledged.

Therefore, RFCOMM must require L2CAP to provide channels with maximum reliability, to ensure that all frames are delivered in order, and without duplicates. Should an L2CAP channel fail to provide this, RFCOMM expects a link loss notification, which should be handled by RFCOMM as described in [Section 5.2.3](#).

### 7.3.2 Low power modes

If all L2CAP channels towards a certain device are idle for a certain amount of time, a decision may be made to put that device in a low power mode (i.e. use hold, sniff or park, see '[Baseband Specification](#)' [Section 10.10.3 on page 125](#)). This will be done without any interference from RFCOMM. RFCOMM can state its latency requirements to L2CAP. This information may be used by lower layers to decide which low power mode(s) to use.

The RFCOMM protocol as such does not suffer from latency delays incurred by low power modes, and consequentially, this specification does not state any maximum latency requirement on RFCOMM's behalf. Latency sensitivity inherently depends on application requirements, which suggests that an RFCOMM service interface implementation could include a way for applications to state latency requirements, to be aggregated and conveyed to L2CAP by the RFCOMM implementation. (That is if such procedures make sense for a particular platform.)

## **8 REFERENCES**

---

- [1] TS 07.10, ver 6.3.0, ETSI
- [2] Bluetooth L2CAP Specification
- [3] Bluetooth SDP Specification
- [4] Bluetooth Assigned Numbers



## 9 TERMS AND ABBREVIATIONS

---

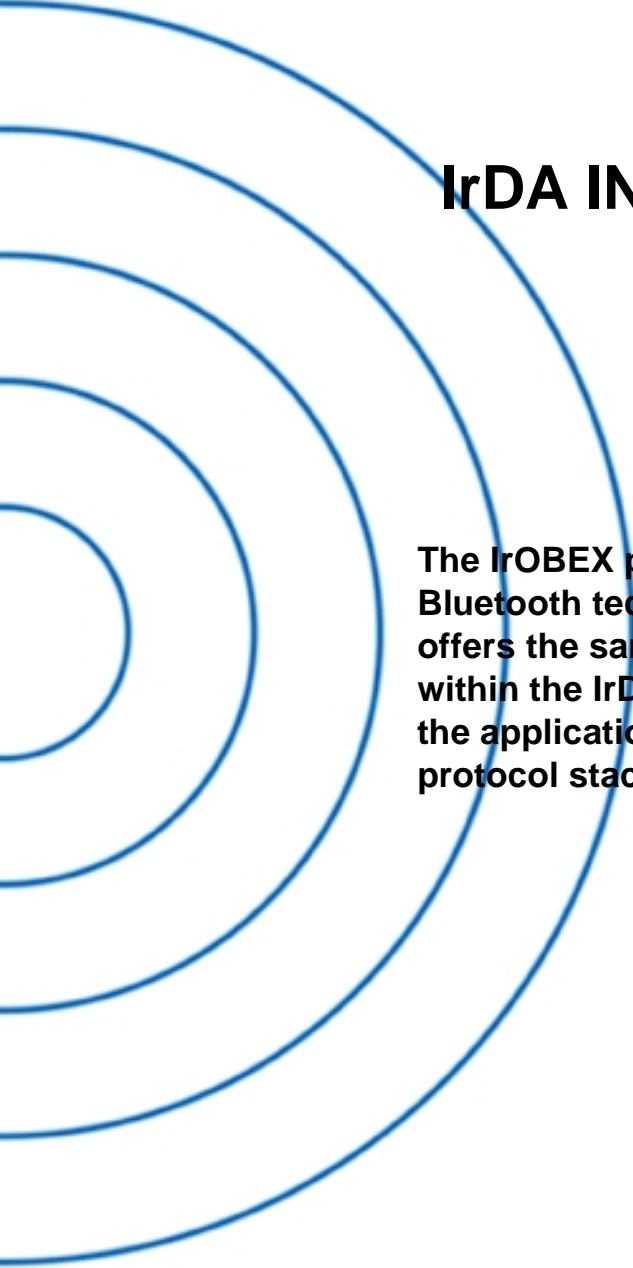
The following terms are used throughout the document.

DTE	Data Terminal Equipment – in serial communications, DTE refers to a device at the endpoint of the communications path; typically a computer or terminal
DCE	Data Circuit-Terminating Equipment – in serial communications, DCE refers to a device between the communication endpoints whose sole task is to facilitate the communications process; typically a modem
RFCOMM initiator	The device initiating the RFCOMM session; i.e. setting up RFCOMM channel on L2CAP and starting RFCOMM multiplexing with the SABM command frame on DLCI 0 (zero)
RFCOMM Client	An RFCOMM client is an application that requests a connection to another application (RFCOMM server)
RFCOMM Server	An RFCOMM server is an application that awaits a connection from an RFCOMM client on another device. What happens after such a connection is established is not within the scope of this definition
RFCOMM Server Channel	This is a subfield of the TS 07.10 DLCI number. This abstraction is used to allow both server and client applications to reside on both sides of an RFCOMM session



## Part F:2

# **IrDA INTEROPERABILITY**



**The IrOBEX protocol is utilized by the Bluetooth technology. In Bluetooth, OBEX offers the same features for applications as within the IrDA protocol hierarchy, enabling the applications to work over the Bluetooth protocol stack as well as the IrDA stack.**



**CONTENTS**

<b>1</b>	<b>Introduction .....</b>	<b>414</b>
1.1	OBEX and Bluetooth Architecture.....	415
1.2	Bluetooth OBEX-Related Specifications .....	415
1.3	Other IrOBEX Implementations.....	416
<b>2</b>	<b>OBEX Object and Protocol .....</b>	<b>417</b>
2.1	Object.....	417
2.2	Session Protocol .....	417
2.2.1	Connect Operation .....	418
2.2.2	Disconnect Operation.....	419
2.2.3	Put Operation .....	419
2.2.4	Get Operation.....	420
2.2.5	Other Operations.....	420
<b>3</b>	<b>OBEX over RFCOMM .....</b>	<b>421</b>
3.1	OBEX Server Start-up on RFCOMM.....	421
3.2	Receiving OBEX Packets from Serial Port.....	421
3.3	Connection Establishment .....	422
3.4	Disconnection .....	422
3.5	Pushing and Pulling OBEX Packets over RFCOMM .....	422
<b>4</b>	<b>OBEX over TCP/IP .....</b>	<b>423</b>
4.1	OBEX Server Start-up on TCP/IP .....	423
4.2	Connection Establishment .....	423
4.3	Disconnection .....	424
4.4	Pushing and Pulling OBEX Packets over TCP .....	424
<b>5</b>	<b>Bluetooth Application Profiles using OBEX.....</b>	<b>425</b>
5.1	Synchronization .....	425
5.2	File Transfer .....	425
5.3	Object Push .....	426
<b>6</b>	<b>References .....</b>	<b>427</b>
<b>7</b>	<b>List of Acronyms and Abbreviations.....</b>	<b>428</b>

## 1 INTRODUCTION

---

The goal of this document is to enable the development of application programs that function well over both short-range RF and IR media. Each media type has its advantages and disadvantages but the goal is for applications to work over both. Rather than fragment the application domain, this document defines the intersection point where Bluetooth and IrDA applications may converge. That intersection point is IrOBEX [1].

IrOBEX is a session protocol defined by IrDA. This protocol is now also utilized by the Bluetooth technology, making it possible for applications to use either the Bluetooth radio technology or the IrDA IR technology. However, even though both IrDA and Bluetooth are designed for short-range wireless communications, they have some fundamental differences relating to the lower-layer protocols. IrOBEX will therefore be mapped over the lower layer protocols which are adopted by Bluetooth.

This document defines how IrOBEX (OBEX for short) is mapped over RFCOMM [2] and TCP/IP [3]. Originally, OBEX (Object Exchange Protocol) was developed to exchange data objects over an infrared link and was placed within the IrDA protocol hierarchy. However, it can appear above other transport layers, now RFCOMM and TCP/IP. At this moment, it is worth mentioning that the OBEX over TCP/IP implementation is an optional feature for Bluetooth devices supporting the OBEX protocol.

The IrOBEX specification [1] provides a model for representing objects and a session protocol, which structures the dialogue between two devices. The IrOBEX protocol follows a client/server **request-response** paradigm for the conversation format.

Bluetooth uses only the connection-oriented OBEX even though IrDA has specified the connectionless OBEX also. The reasons for the connection-oriented approach are:

- OBEX is mapped over the connection-oriented protocols in the Bluetooth architecture.
- Most of application profiles using OBEX and Bluetooth needs a connection-oriented OBEX to provide the functionality described for the features included in these profiles.
- The connectionless OBEX with the connection-oriented one would raise the interoperability problems, which are not desirable.

## 1.1 OBEX AND BLUETOOTH ARCHITECTURE

Figure 1.1 depicts part of the hierarchy of the Bluetooth architecture and shows the placement of the OBEX protocol and the application profiles using it (See also [Section 5 on page 425](#)). The protocols can also communicate with the service discovery DB even though the figure does not show it.

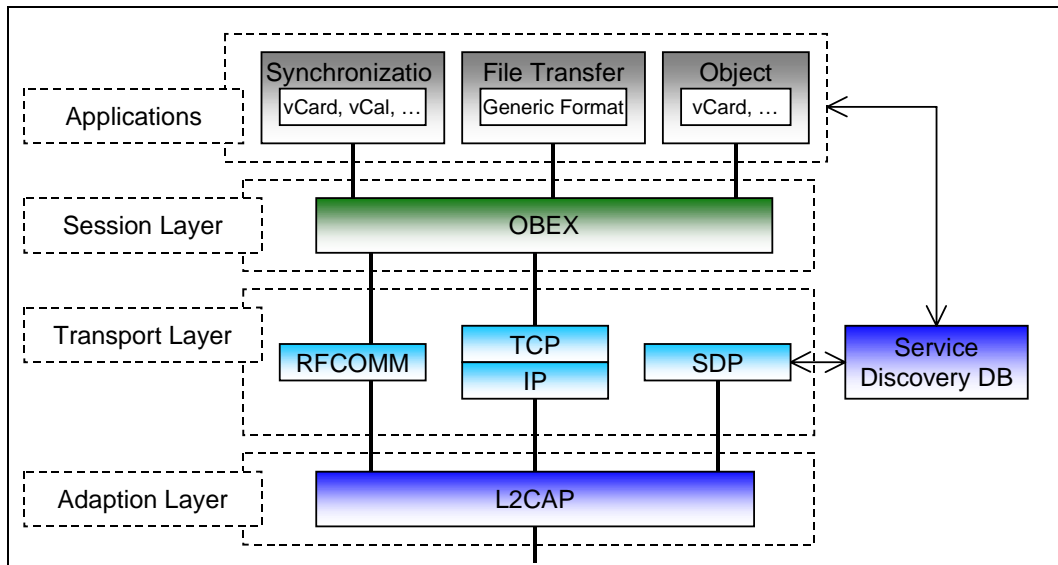


Figure 1.1: Part of Bluetooth Protocol Hierarchy

In the Bluetooth system, the purpose of the OBEX protocol is to enable the exchange of data objects. The typical example could be an object push of business cards to someone else. A more complex example is synchronizing calendars on multiple devices using OBEX. Also, the File Transfer applications can be implemented using OBEX. For the Object Push and Synchronization applications, content formats can be the vCard [4], vCalendar [5], vMessage [6], and vNotes [6] formats. The vCard, vCalendar, vMessage, and vNotes describe the formats for the electronic business card, the electronic calendar and scheduling, the electronic message and mails, and the electronic notes, respectively.

## 1.2 BLUETOOTH OBEX-RELATED SPECIFICATIONS

Bluetooth Specification includes five separate specifications related to OBEX and applications using it:

1. Bluetooth IrDA Interoperability Specification (This specification)
  - Defines how the applications can function over both Bluetooth and IrDA
  - Specifies how OBEX is mapped over RFCOMM and TCP
  - Defines the application profiles using OBEX over Bluetooth

## 2. Bluetooth Generic Object Exchange Profile Specification [7]

- Generic interoperability specification for the application profiles using OBEX
- Defines the interoperability requirements of the lower protocol layers (e.g. Baseband and LMP) for the application profiles

## 3. Bluetooth Synchronization Profile Specification [8]

- Application Profile for the Synchronization applications
- Defines the interoperability requirements for the applications within the Synchronization application profile
- Does not define the requirements for the Baseband, LMP, L2CAP, or RFCOMM.

## 4. Bluetooth File Transfer Profile Specification [9]

- Application Profile for the File Transfer applications
- Defines the interoperability requirements for the applications within the File Transfer application profile.
- Does not define the requirements for the Baseband, LMP, L2CAP, or RFCOMM.

## 5. Bluetooth Object Push Profile Specification [10]

- Application Profile for the Object Push applications
- Defines the interoperability requirements for the applications within the Object Push application profile.
- Does not define the requirements for the Baseband, LMP, L2CAP, or RFCOMM.

### 1.3 OTHER IROBEX IMPLEMENTATIONS

Over IR, OBEX has also been implemented over IrCOMM and Tiny TP. The Bluetooth technology does not define these protocols as transport protocols for OBEX, but they can be supported by independent software vendors if desired.



---

## 2 OBEX OBJECT AND PROTOCOL

---

This section is dedicated to the model of OBEX objects and the OBEX session protocol. The section is intended to be read with the IrOBEX specification [1].

### 2.1 OBJECT

The OBEX object model (Section 2 in [1]) describes how OBEX objects are presented. The OBEX protocol can transfer an object by using the **Put-** and **Get-**operations (See Section 2.2.3 and 2.2.4). One object can be exchanged in one or more **Put-**requests or **Get-**responses.

The model handles both information about the object (e.g. type) and object itself. It is composed of headers, which consist of a header ID and value (See Section 2.1 in [1]). The header ID describes what the header contains and how it is formatted, and the header value consists of one or more bytes in the format and meaning specified by Header ID. The specified headers are **Count, Name, Type, Length, Time, Description, Target, HTTP, Body, End of Body, Who, Connection ID, Application Parameters, Authenticate Challenge, Authenticate Response, Object Class**, and User-Defined Headers. These are explained in detail by Section 2.2 in the IrOBEX specification.

### 2.2 SESSION PROTOCOL

The OBEX operations are formed by **response-request** pairs. Requests are issued by the client and responses by the server. After sending a request, the client waits for a response from the server before issuing a new request. Each request packet consists of a one-byte opcode (See Section 3.3 in [1]), a two-byte length indicator, and required or optional data depending on the operation. Each response packet consists of a one-byte response code (See Section 3.2.1 in [1]), a two-byte length indicator, and required or optional data depending on the operation.

In the following subsections, the OBEX operations are explained in general.

### 2.2.1 Connect Operation

An OBEX session is started, when an application asks the first time to transmit an OBEX object. An OBEX client starts the establishment of an OBEX connection. The session is started by sending a **Connect**-request (See Section 3.3.1 in [1]). The request format is:

Byte 0	Bytes 1 and 2	Byte 3	Byte 4	Bytes 5 and 6	Byte 7 to n
0x80 (opcode)	Connect request packet length	OBEX version number	Flags	Maximum OBEX packet length	Optional headers

Note. The Big Endian format is used to define the byte ordering for the PDUs (requests and responses) in this specification as well as in the IrOBEX specification; i.e. the most significant byte (MSB) is always on left and the least significant byte (LSB) on right.

At the remote host, the **Connect**-request is received by the OBEX server, if it exists. The server accepts the connection by sending the successful response to the client. Sending any other response (i.e. a non-successful response) back to the client indicates a failure to make a connection. The response format is:

Byte 0	Bytes 1 and 2	Byte 3	Byte 4	Bytes 5 and 6	Byte 7 to n
Response code	Connect response packet length	OBEX version number	Flags	Maximum OBEX packet length	Optional headers

The response codes are list in the Section 3.2.1 in the IrOBEX specification. The bytes 5 and 6 define the maximum OBEX packet length, which can be received by the server. This value may differ from the length, which can be received by the client. These **Connect**-request and response packets must each fit in a single packet.

Once a connection is established it remains 'alive', and is only disconnected by requests/responses or by failures (i.e. the connection is not automatically disconnected after each OBEX object has completely transmitted).

### 2.2.2 Disconnect Operation

The disconnection of an OBEX session occurs when an application, which is needed for an OBEX connection, is closed or the application wants to change the host to which the requests are issued. The client issues the **Disconnect**-request (See Section 3.3.2 in [1]) to the server. The request format is:

Byte 0	Bytes 1 and 2	Byte 3
0x81	Packet length	Optional headers

The request cannot be refused by the server. Thus, it has to send the response, and the response format is:

Byte 0	Bytes 1 and 2	Byte 3
0xA0	Response packet length	Optional response headers

### 2.2.3 Put Operation

When the connection has been established between the client and server the client is able to push OBEX objects to the server. The **Put**-request is used to push an OBEX object (See Section 3.3.3 in [1]). The request has the following format.

Byte 0	Bytes 1 and 2	Byte 3
0x02 (0x82 when Final bit set)	Packet length	Sequence of headers

A **Put**-request consists of one or more request packets, depending on how large the transferred object is, and how large the packet size is. A response packet from the server is required for every **Put**-request packet. Thus, one response is not permitted for several request packets, although they consist of one OBEX object. The response format is:

Byte 0	Bytes 1 and 2	Byte 3
Response code	Response packet length	Optional response headers

## 2.2.4 Get Operation

When the connection has been established between the client and server, the client is also able to pull OBEX objects from the server. The **Get**-request is used to pull an OBEX object (See Section 3.3.4 in [1]). The request has the following format.

Byte 0	Bytes 1 and 2	Byte 3
0x03 (0x83 when Final bit set)	Packet length	Sequence of headers starting with Name

The object is returned as a sequence of headers, and the client has to send a request packet for every response packet. The response format is:

Byte 0	Bytes 1 and 2	Byte 3
Response code	Response packet length	Optional response headers

## 2.2.5 Other Operations

Other OBEX operations consist of a **SetPath**-, and an **Abort**-operation. These are carefully explained in the Sections 3.3.5-6 in the IrOBEX specification. It is important to note that the client can send an **Abort**-request after each response – even in the middle of a request/response sequence. Thus, the whole OBEX object does not have to be received before sending an **Abort**-request. In addition to these operations, the IrOBEX specification facilitates user-defined operations, but their use may not necessarily be adopted in Bluetooth.

## 3 OBEX OVER RFCOMM

---

This section specifies how OBEX is mapped over RFCOMM, which is the multiplexing and transport protocol based on ETSI TS 07.10 [11] and which also provides a support for serial cable emulation. The Bluetooth devices supporting the OBEX protocol must satisfy the following requirements.

1. The device supporting OBEX must be able to function as either a client, a server, or both
2. All servers running simultaneously on a device must use separate RFCOMM server channels
3. Applications (service/server) using OBEX must be able to register the proper information into the service discovery database. This information for different application profiles is specified in the profile specifications

### 3.1 OBEX SERVER START-UP ON RFCOMM

When a client sends a connecting request, a server is assumed to be ready to receive requests. However, before the server is ready to receive (i.e. is running) certain prerequisites must be fulfilled before the server can enter the listening mode:

1. The server must open an RFCOMM server channel
2. The server must register its capabilities into the service discovery database

After this, other hosts are able to find the server if needed, and the server listens for get requests from clients.

### 3.2 RECEIVING OBEX PACKETS FROM SERIAL PORT

As discussed earlier, one object can be exchanged over one or more **Put**-requests or **Get**-responses (i.e. the object is received in one or several packets). However, if OBEX is running directly over the serial port, it does not receive packets from RFCOMM. Instead, a byte stream is received by OBEX from a serial port emulated by RFCOMM.

To detect packets in the byte stream, OBEX has to look for opcodes or response codes (See [Chapter 2.2](#)) depending on whether a packet is a request or a response. The opcodes and response code can be thought of as the start flags of packets. In OBEX packets, there is no 'end flag' that would indicate the end of a packet. However, after the opcode or response code, the length of a packet is received in the next two bytes. Thus, the whole length of a packet is known, and the boundary of two packets can be determined.

All data that is not recognized must be dumped. This could cause a synchronization problem but, considering the nature of the OBEX protocol, this is not a problem over RFCOMM, which provides reliable transport over Bluetooth.

### 3.3 CONNECTION ESTABLISHMENT

A client initiates the establishment of a connection. However, the following sequence of tasks must occur before the client is able to send the first request for data:

1. By using the SD protocol described in the SDP specification [12], the client must discover the proper information (e.g. RFCOMM channel) associated with the server on which the connection can be established
2. The client uses the discovered RFCOMM channel to establish the RFCOMM connection
3. The client sends the **Connect**-request to the server, to establish an OBEX session. The session is established correctly if the client receives a successful response from the server

### 3.4 DISCONNECTION

The disconnection of an OBEX session over RFCOMM is straightforward. The disconnection is done by using the **Disconnect**-request (See [Section 2.2.2](#)). When the client has received the response, the next operation is to close the RFCOMM channel assigned to the OBEX client.

### 3.5 PUSHING AND PULLING OBEX PACKETS OVER RFCOMM

Data is pushed in OBEX packets over RFCOMM by using **Put**-requests (See [Section 2.2.3](#)). After each request, a response is required before the next request with the data can be pushed.

Pulling data from a remote host happens by sending a **Get**-request (See [Section 2.2.4](#)). The data arrives in OBEX response packets. After each response, a new request has to be sent, to pull more data.

## 4 OBEX OVER TCP/IP

---

This section specifies how OBEX is mapped over the TCP/IP creating reliable connection-oriented services for OBEX. This specification does not define how TCP/IP is mapped over Bluetooth.

The Bluetooth devices, which support the OBEX protocol over TCP/IP, must satisfy the following requirements:

1. The device supporting OBEX must be able to function as either a client, or a server, or both
2. For the server, the TCP port number 650 is assigned by IANA. If an assigned number is not desirable, the port number can be a value above 1023. However, the use of the TCP port number (650) defined by IANA is highly recommended. The 0-1023 range is reserved by IANA (See [13])
3. The client must use a port number (on the client side), which is not within the 0-1023 range
4. Applications (service/server) using OBEX must be able to register the proper information into the service discovery database. This information for different application profiles is specified in the profile specifications

### 4.1 OBEX SERVER START-UP ON TCP/IP

When a client sends a **Put-** or **Get-**request, a server is assumed to be ready to receive requests. However, when the server is ready (i.e. is running), certain prerequisites must be fulfilled before the server can enter the listening mode:

1. The server must initialize a TCP port with the value 650 or value above 1023
2. The server registers its capabilities into the service discovery database

After this, other devices are able to find the server if needed, and the server listens for get requests from clients.

### 4.2 CONNECTION ESTABLISHMENT

A client initiates a connection. However, the following sequence of tasks must occur before a connection can be established:

1. By using, the SD protocol described in the SDP specification [12], the client discovers the proper information (e.g. TCP port number) associated with the server, to enable the connection can be established
2. The client initializes a socket associated to a TCP port number above 1023, and establishes a TCP connection with the host of the server
3. The client sends the **Connect-**request to the server, to establish an OBEX session. The session is established correctly if the client receives a successful response from the server.

### 4.3 DISCONNECTION

The disconnection of an OBEX session over TCP is straightforward. The disconnection is done by using the **Disconnect**-request (See [Section 2.2.2](#)). When the client has received the response, the next operation is to close the TCP port dedicated for this session.

### 4.4 PUSHING AND PULLING OBEX PACKETS OVER TCP

See [Section 3.5](#).



## 5 BLUETOOTH APPLICATION PROFILES USING OBEX

---

Bluetooth SIG (Special Interest Group) has defined three separate application profiles using OBEX. These profiles are briefly introduced in this section.

### 5.1 SYNCHRONIZATION

Basically, the synchronization means comparing two object stores, determining their inequalities, and then unifying these two object stores. The Bluetooth devices supporting the synchronization may be desktop PCs, notebooks, PDAs, cellular phones, or smart phones.

The Bluetooth Synchronization profile uses the servers and clients compliant to the IrMC synchronization specified by IrDA (See Section 5 in [6]). The Bluetooth Synchronization servers and clients must support the level 4 synchronization functionality specified in the IrMC specification.

The actual logic of the synchronization engines which process the synchronization algorithm at the client device is implementation-specific. It is therefore left to the participating software vendors, and is not considered in the Bluetooth specifications.

The synchronization is not limited to one type of application. The Bluetooth synchronization (i.e. the IrMC synchronization) enables four different application classes:

1. Phone Book – provides a means for a user to manage contact records
2. Calendar – enables a user to manage calendar items, and can also be used for ‘to-do’ or task lists
3. Messaging – lets a user manage messages (e.g. e-mails)
4. Notes – provides a means for a user to manage small notes

The interoperability requirements for the Bluetooth Synchronization profile are defined in the Synchronization Profile [8] and Generic Object Exchange Profile [7] specifications.

### 5.2 FILE TRANSFER

At the minimum, the File Transfer profile is intended for sending and retrieving generic files to and from the Bluetooth device. The File Transfer service also facilitates the browsing of the remote Bluetooth device’s folder.

The interoperability requirements for the Bluetooth File Transfer profile are defined in the File Transfer Profile [9] and Generic Object Exchange Profile [7] specifications.

### **5.3 OBJECT PUSH**

The Object Push profile is the special case of the File Transfer Profile for beaming objects and optionally pulling the default objects. At a minimum, it offers the capability to exchange business cards, but is not limited to this service.

The interoperability requirements for the Object Push profile are defined in the Object Push Profile [10] and Generic Object Exchange Profile [7] specifications.

## 6 REFERENCES

---

- [1] Infrared Data Association, IrDA Object Exchange Protocol (IrOBEX), Version 1.2, April 1999
- [2] Bluetooth RFCOMM with TS 07.10, on [page 385](#)
- [3] Internet Engineering Task Force, IETF Directory List of RFCs (<http://www.ietf.org/rfc/>), May 1999.
- [4] The Internet Mail Consortium, vCard - The Electronic Business Card Exchange Format, Version 2.1, September 1996.
- [5] The Internet Mail Consortium, vCalendar - The Electronic Calendaring and Scheduling Exchange Format, Version 1.0, September 1996.
- [6] Infrared Data Association, IrMC (Ir Mobile Communications) Specification, Version 1.1, February 1999.
- [7] Bluetooth Generic Object Exchange Profile, see Volume 2.
- [8] Bluetooth Synchronization Profile, see Volume 2.
- [9] Bluetooth File Transfer Profile, see Volume 2.
- [10] Bluetooth Object Push Profile, see Volume 2.
- [11] ETSI, TS 07.10, Version 6.3.0
- [12] Bluetooth Service Discovery Protocol, see Volume 2.
- [13] Internet Assigned Numbers Authority, IANA Protocol/Number Assignments Directory (<http://www.iana.org/numbers.html>), May 1999.

## 7 LIST OF ACRONYMS AND ABBREVIATIONS

---

Abbreviation or Acronym	Meaning
GEOP	Generic Object Exchange Profile
IrDA	Infrared Data Association
IrMC	Ir Mobile Communications
L2CAP	Logical Link Control and Adaptation Protocol
LSB	Least Significant Byte
MSB	Most Significant Byte
OBEX	Object exchange protocol
PDU	Protocol Data Unit
RFCOMM	Serial cable emulation protocol based on ETSI TS 07.10
SD	Service Discovery
SDP	Service Discovery Protocol
SDDB	Service Discovery Database
TCP/IP	Transport Control Protocol/Internet Protocol

## Part F:3

# TELEPHONY CONTROL PROTOCOL SPECIFICATION

## TCS Binary

This document describes the Bluetooth Telephony Control protocol Specification – Binary (TCS *Binary*), using a bit-oriented protocol. This protocol defines the call control signalling for the establishment of speech and data calls between Bluetooth devices. In addition, it defines mobility management procedures for handling Bluetooth TCS devices.



**CONTENTS**

<b>1</b>	<b>General Description .....</b>	<b>435</b>
1.1	Overview .....	435
1.2	Operation between devices.....	435
1.3	Operation between layers .....	437
<b>2</b>	<b>Call Control (CC) .....</b>	<b>439</b>
2.1	Call States .....	439
2.2	Call Establishment .....	439
2.2.1	Call Request.....	439
2.2.2	Bearer selection .....	440
2.2.3	Overlap Sending.....	441
2.2.4	Call Proceeding.....	441
2.2.4.1	Call proceeding, enbloc sending.....	441
2.2.4.2	Call proceeding, overlap sending.....	442
2.2.4.3	Expiry of timer T310.....	442
2.2.5	Call Confirmation.....	442
2.2.6	Call Connection .....	442
2.2.7	Call Information .....	443
2.2.8	Non-selected user clearing.....	443
2.2.9	In-band tones and announcements.....	443
2.2.10	Failure of call establishment.....	444
2.2.11	Call Establishment Message Flow .....	445
2.3	Call Clearing.....	446
2.3.1	Normal Call Clearing .....	446
2.3.2	Abnormal Call Clearing .....	447
2.3.3	Clear Collision .....	447
2.3.4	Call Clearing Message Flow.....	448

<b>3</b>	<b>Group Management (GM)</b> .....	<b>449</b>
3.1	Overview .....	449
3.2	The Wireless User Group .....	449
3.2.1	Description .....	449
3.2.2	Encryption within the WUG .....	450
3.2.3	Unconscious pairing .....	450
3.3	Obtain Access Rights .....	451
3.3.1	Procedure description .....	451
3.3.2	Message flow .....	451
3.4	Configuration Distribution .....	452
3.4.1	Procedure Description .....	452
3.4.2	Message flow .....	452
3.5	Fast inter-member Access .....	453
3.5.1	Listen Request .....	453
3.5.2	Listen Accept .....	453
3.5.3	Listen Reject by the WUG Master .....	454
3.5.4	Listen Reject by the WUG Member .....	454
3.5.5	Message flow .....	454
<b>4</b>	<b>Connectionless TCS (CL)</b> .....	<b>455</b>
<b>5</b>	<b>Supplementary Services (SS)</b> .....	<b>456</b>
5.1	Calling Line Identity .....	456
5.2	DTMF start & stop .....	456
5.2.1	Start DTMF request .....	457
5.2.2	Start DTMF response .....	457
5.2.3	Stop DTMF request .....	457
5.2.4	Stop DTMF response .....	457
5.2.5	Message flow .....	457
5.3	Register Recall .....	458



<b>6</b>	<b>Message formats</b> .....	<b>459</b>
6.1	Call Control Message Formats.....	460
6.1.1	ALERTING .....	460
6.1.2	CALL PROCEEDING .....	460
6.1.3	CONNECT.....	461
6.1.4	CONNECT ACKNOWLEDGE .....	461
6.1.5	DISCONNECT.....	462
6.1.6	INFORMATION .....	462
6.1.7	PROGRESS .....	463
6.1.8	RELEASE.....	463
6.1.9	RELEASE COMPLETE .....	464
6.1.10	SETUP .....	464
6.1.11	SETUP ACKNOWLEDGE .....	465
6.1.12	Start DTMF .....	465
6.1.13	Start DTMF Acknowledge.....	466
6.1.14	Start DTMF Reject.....	466
6.1.15	Stop DTMF .....	466
6.1.16	Stop DTMF Acknowledge.....	467
6.2	Group Management Message Formats .....	467
6.2.1	ACCESS RIGHTS REQUEST.....	467
6.2.2	ACCESS RIGHTS ACCEPT .....	467
6.2.3	ACCESS RIGHTS REJECT .....	468
6.2.4	INFO SUGGEST .....	468
6.2.5	INFO ACCEPT .....	468
6.2.6	LISTEN REQUEST .....	469
6.2.7	LISTEN SUGGEST .....	469
6.2.8	LISTEN ACCEPT .....	469
6.2.9	LISTEN REJECT.....	470
6.3	TCS Connectionless Message Formats.....	470
6.3.1	CL INFO .....	470
<b>7</b>	<b>Message coding</b> .....	<b>471</b>
7.1	Overview .....	471
7.2	Protocol Discriminator .....	472
7.3	Message Type.....	472
7.4	Other Information Elements .....	474
7.4.1	Coding rules .....	474
7.4.2	Audio control .....	476
7.4.3	Bearer capability.....	476
7.4.4	Call class .....	479

7.4.5	Called party number .....	480
7.4.6	Calling party number .....	481
7.4.7	Cause.....	482
7.4.8	Clock offset .....	482
7.4.9	Company specific.....	483
7.4.10	Configuration data.....	484
7.4.11	Destination CID .....	485
7.4.12	Keypad facility .....	485
7.4.13	Progress indicator .....	485
7.4.14	SCO Handle .....	486
7.4.15	Sending complete .....	486
7.4.16	Signal .....	486
<b>8</b>	<b>Message Error handling .....</b>	<b>487</b>
8.1	Protocol Discrimination Error .....	487
8.2	Message Too Short or Unrecognized .....	487
8.3	Message Type or Message Sequence Errors.....	487
8.4	Information Element Errors .....	487
<b>9</b>	<b>Protocol Parameters .....</b>	<b>489</b>
9.1	Protocol Timers .....	489
<b>10</b>	<b>References.....</b>	<b>490</b>
<b>11</b>	<b>List of Figures .....</b>	<b>491</b>
<b>12</b>	<b>List of Tables .....</b>	<b>492</b>
	<b>Appendix 1 - TCS Call States .....</b>	<b>493</b>

# 1 GENERAL DESCRIPTION

## 1.1 OVERVIEW

The Bluetooth Telephony Control protocol Specification Binary (TCS *Binary*) is based on the ITU-T Recommendation Q.931[1], applying the symmetrical provisions as stated in Annex D of Q.931. The resulting text does not discriminate between user and network side, but merely between Outgoing Side (the party originating the call) and Incoming Side (the party terminating the call). Effort was made to only apply those changes necessary for Bluetooth and foreseen applications, enabling re-use of Q.931 to the largest extent possible.

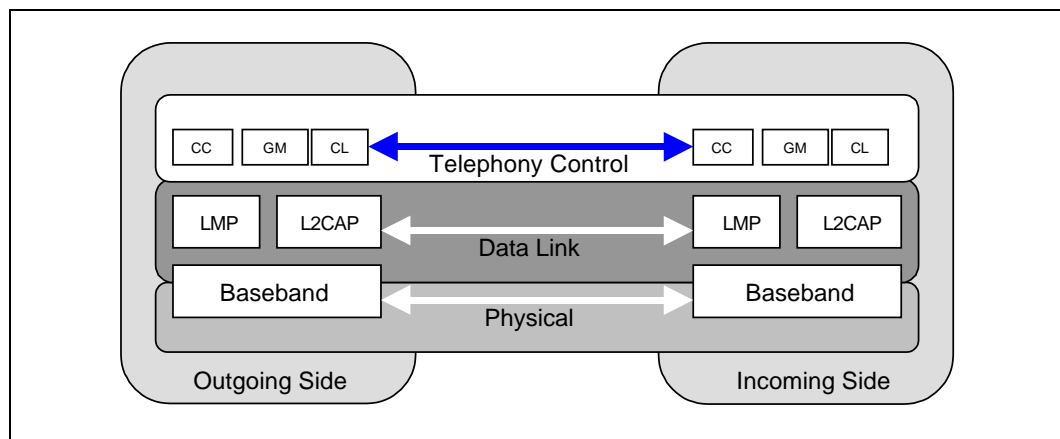


Figure 1.1: TCS within the Bluetooth stack

The TCS contains the following functionality:

- Call Control (CC) – signalling for the establishment and release of speech and data calls between Bluetooth devices
- Group Management – signalling to ease the handling of groups of Bluetooth devices
- ConnectionLess TCS (CL) – provisions to exchange signalling information not related to an ongoing call

## 1.2 OPERATION BETWEEN DEVICES

TCS uses point-to-point signalling and may use point-to-multipoint signalling. Point-to-point signalling is used when it is known to which side (Bluetooth device) a call needs to be established (*single-point configuration*).

Point-to-multipoint signalling may be used when there are more sides available for call establishment (*multi-point configuration*); e.g. when, for an incoming call, a home base station needs to alert all phones in range.

Point-to-point signalling is mapped towards a connection-oriented L2CAP channel, whereas point-to-multipoint signalling is mapped towards the connectionless L2CAP channel, which in turn is sent as broadcast information on the beacon channel (piconet broadcast).

Figure 1.2 illustrates point-to-point signalling to establish a voice or data call in a single-point configuration. First the other device is notified of the call request using the point-to-point signalling channel (A). Next, this signalling channel is used to further establish the speech or data channel (B).

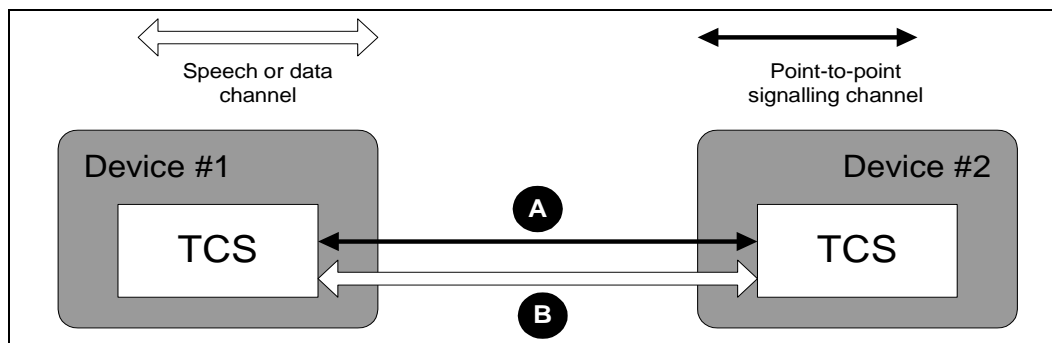


Figure 1.2: Point-to-point signalling in a single-point configuration

Figure 1.3 below illustrates how point-to-multipoint signalling and point-to-point signalling is used to establish a voice or data call in a multi-point configuration. First all devices are notified of the call request using point-to-multipoint signalling channel (A). Next, one of the devices answers the call on the point-to-point signalling channel (B); this signalling channel is used to further establish the speech or data channel (C).

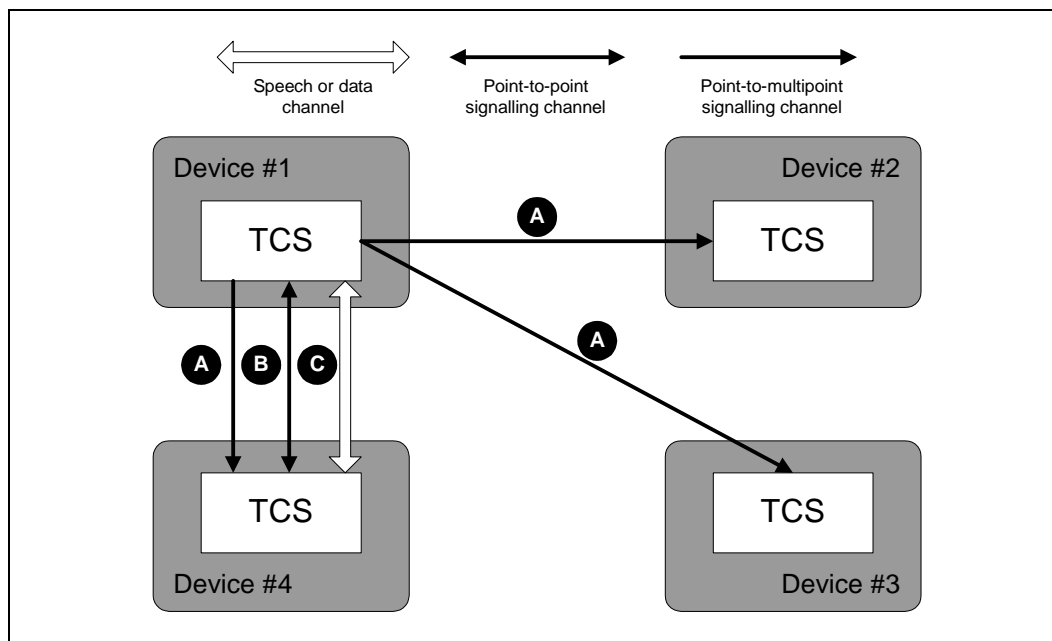


Figure 1.3: Signalling in a multi-point configuration

### 1.3 OPERATION BETWEEN LAYERS

TCS implementations should follow the general architecture described below (note that, for simplicity, handling of data calls is not drawn).

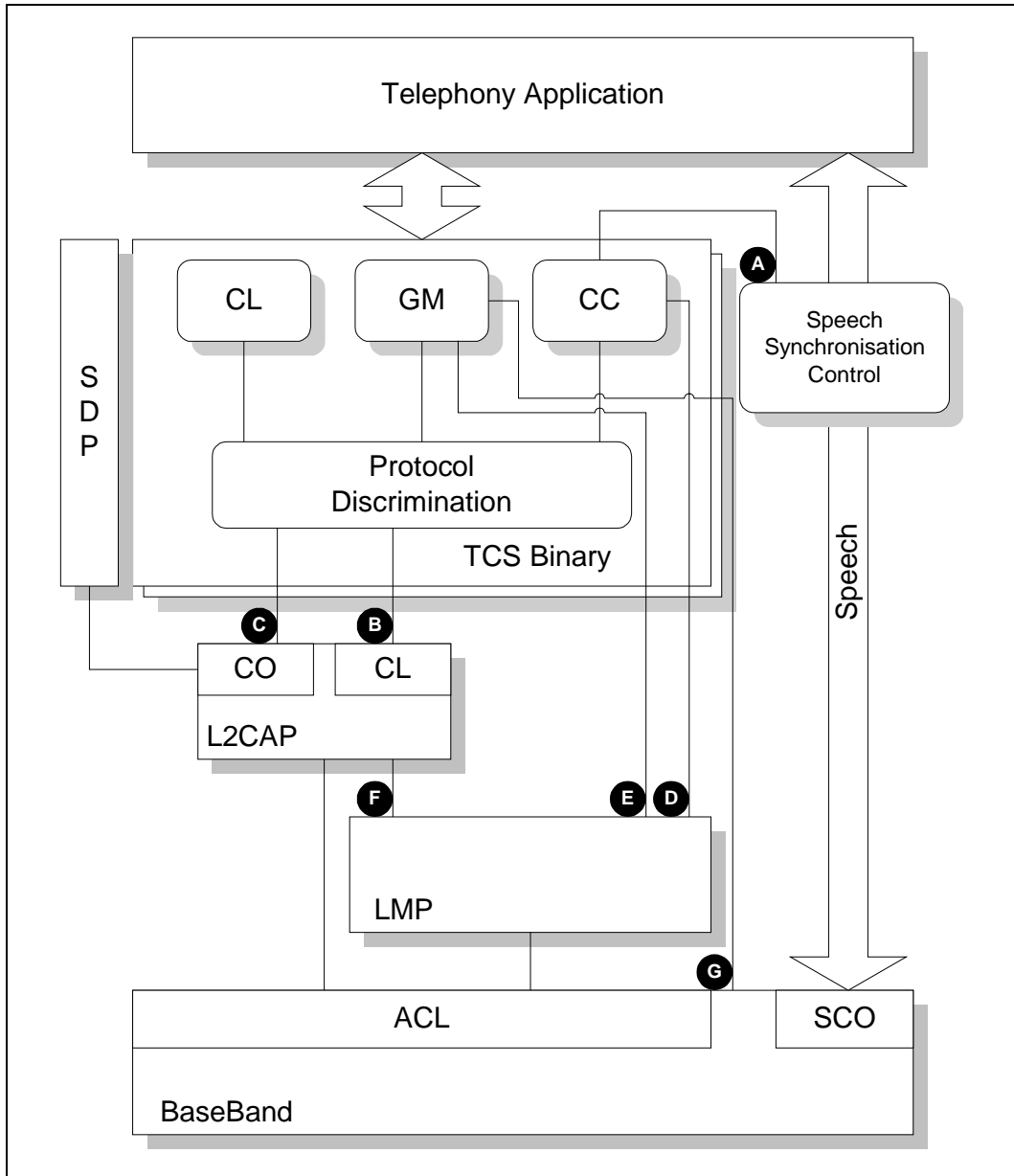


Figure 1.4: TCS Architecture

The internal structure of TCS Binary contains the functional entities Call Control, Group Management and ConnectionLess as described in [Section 1.1 on page 435](#), complemented with the Protocol Discrimination which, based upon the TCS internal protocol discriminator, routes traffic to the appropriate functional entity.

To handle more calls simultaneously, multiple instances of TCS Binary may exist at the same time. Discrimination between the multiple instances can be based on the L2CAP channel identifier.

TCS Binary interfaces with a number of other (Bluetooth) entities to provide its (telephone) services to the application. The interfaces are identified in Figure 1.4 above, and information is exchanged across these interfaces for the following purposes:

- A The Call Control entity provides information to the speech synchronization control about when to connect (disconnect) the speech paths. This information is based upon the call control messages (e.g. reception of CONNECT ACKNOWLEDGE or DISCONNECT, see [Section 2 on page 439](#))
- B To send a SETUP message (see [Section 2.2.1 on page 439](#)) using point-to-multipoint signalling, it is delivered on this interface to L2CAP for transmission on the connectionless channel. The other way round – L2CAP uses this interface to inform TCS of a SETUP message received on the connectionless channel. The connectionless L2CAP channel maps onto the piconet broadcast
- C Whenever a TCS message needs to be sent using point-to-point signalling, it is delivered on this interface to L2CAP for transmission on a connection-oriented channel. During L2CAP channel establishment specific quality of service to be used for the connection will be indicated, in particular the usage of low power modes (L2CAP will inform LMP about this – interface F)
- D The Call Control entity controls the LMP directly, for the purpose of establishing and releasing SCO links
- E & G. The Group Management entity controls the LMP and LC/Baseband directly during initialization procedures to control (for example) the inquiry, paging and pairing.

## 2 CALL CONTROL (CC)

### 2.1 CALL STATES

The call states used by the TCS are those identified in Q.931[1], for the user side only. To allow for implementation within computing power- and memory-restricted devices, only a subset of the states is mandatory for TCS based implementations. This mandatory subset is termed **Lean TCS**.

The states are named as follows. States in bold are mandatory states, part of Lean TCS:

#### General States

**Null (0)**

**Active (10)**

**Disconnect request (11)**

**Disconnect indication (12)**

**Release request (19)**

#### Outgoing Side States

**Call initiated (1)**

*Overlap sending (2)*

*Outgoing call proceeding (3)*

*Call delivered (4)*

#### Incoming Side States

**Call present (6)**

*Call received (7)*

**Connect request (8)**

*Incoming call proceeding (9)*

*Overlap receiving (25)*

These states, together with the state transitions, have been indicated in the state diagram contained in Appendix 1 – TCS Call States. For clarity, a separate state diagram has been included for Lean TCS.

### 2.2 CALL ESTABLISHMENT

A connection-oriented L2CAP channel between the Outgoing and Incoming Side shall be available before any of the CC procedures can operate.

Additionally, in a multi-point configuration (see [Section 1.2 on page 435](#)), a connectionless L2CAP channel shall be available between the Outgoing and Incoming Side.

#### 2.2.1 Call Request

The Outgoing Side initiates call establishment by sending a SETUP message, and starting timer T303.

In case of a single-point configuration (see [Section 1.2 on page 435](#)), the SETUP message is delivered on the connection-oriented channel.

In case of a multi-point configuration (see [Section 1.2 on page 435](#)), the SETUP message may be delivered on the connection-less channel. This causes the SETUP message to be transmitted as a broadcast message at every beacon instant (as described in [Baseband Specification Section 10.8.4 on page 115](#)).

If no response (as prescribed in [Section 2.2.4 on page 441](#)) is received from the Incoming Side before timer T303 expires, the Outgoing Side shall:

1. If the SETUP message was delivered on a connection-less channel, return to the Null state. This stops the transmission of the SETUP message.
2. If the SETUP message was delivered on a connection-oriented channel, send a RELEASE COMPLETE message to the Incoming Side. This message should contain cause # 102, *recovery on timer expiry*.

The SETUP message shall always contain the call class. It shall also contain all the information required by the Incoming Side to process the call. The number digits within the Called party number information element may optionally be incomplete, thus requiring the use of overlap sending ([Section 2.2.3 on page 441](#)). The SETUP message may optionally contain the Sending complete information element in order to indicate that the number is complete.

Following the transmission of the SETUP message, the Outgoing Side shall enter the Call initiated state. On receipt of the SETUP message the Incoming Side shall enter the Call present state.

### 2.2.2 Bearer selection

The SETUP message sent during the Call Request may contain the Bearer capability information element, to indicate the requested bearer. The Incoming Side may negotiate on the requested bearer by including a Bearer capability information element in the first message in response to the SETUP message.

The Bearer capability information element indicates which lower layer resources (the *bearer channel*) are used during a call. If bearer capability 'Synchronous Connection-Oriented (SCO)' is indicated, an SCO link will be used, with the indicated packet type and voice coding to enable speech calls. If bearer capability 'Asynchronous Connection-Less (ACL)' is indicated, an ACL link will be used. On top of this, there will be an L2CAP channel with indicated QoS requirements, to enable data calls. If bearer capability 'None' is indicated, no separate bearer channel will be established.

*Note: it is the responsibility of the implementation to assure that the bearer capability as indicated is available to the call.*



### 2.2.3 Overlap Sending

If the received SETUP message does not contain a Sending complete indication information element, and contains either –

- a) incomplete called-number information, or
- b) called-number information which the Incoming Side cannot determine to be complete,

then the Incoming Side shall start timer T302, send a SETUP ACKNOWLEDGE message to the Outgoing Side, and enter the Overlap receiving state.

When the SETUP ACKNOWLEDGE message is received, the Outgoing Side shall enter the Overlap sending state, stop timer T303, and start timer T304.

After receiving the SETUP ACKNOWLEDGE message, the Outgoing Side shall send the remainder of the call information (if any) in the called party number information element of one or more INFORMATION messages.

The Outgoing Side shall restart timer T304 when each INFORMATION message is sent.

The INFORMATION message, which completes the information sending, may contain a sending complete information element. The Incoming Side shall restart timer T302 on receipt of every INFORMATION message not containing a sending complete indication, if it cannot determine that the called party number is complete.

At the expiry of timer T304, the Outgoing Side shall initiate call clearing in accordance with Section 2.3.1 with cause #102, *recovery on timer expiry*.

At the expiry of timer T302, the Incoming Side shall:

- if it determines that the call information is incomplete, initiate call clearing in accordance with Section 2.3.1 with cause #28, *invalid number format*.
- otherwise the Incoming Side shall reply with a CALL PROCEEDING, ALERTING or CONNECT message.

### 2.2.4 Call Proceeding

#### 2.2.4.1 Call proceeding, enbloc sending

If enbloc sending is used (i.e. the Incoming Side can determine it has received sufficient information in the SETUP message from the Outgoing Side to establish the call) the Incoming Side shall send a CALL PROCEEDING message to the Outgoing Side to acknowledge the SETUP message and to indicate that the call is being processed. Upon receipt of the CALL PROCEEDING message, the Outgoing Side shall enter the Outgoing Call proceeding state stop

timer T303 and start timer T310. After sending the CALL PROCEEDING message, the Incoming Side shall enter the Incoming Call proceeding state.

#### 2.2.4.2 Call proceeding, overlap sending

Following the occurrence of one of these conditions –

- the receipt by the Incoming Side of a Sending complete indication, or
- analysis by the Incoming Side that all call information necessary to effect call establishment has been received,

the Incoming Side shall send a CALL PROCEEDING message to the Outgoing Side, stop timer T302, and enter the Incoming Call proceeding state.

When the Outgoing Side receives of the CALL PROCEEDING message it shall enter the Outgoing Call proceeding state, stop timer T304 and, if applicable, start timer T310.

#### 2.2.4.3 Expiry of timer T310

On expiry of T310 (i.e. if the Outgoing Side does not receive an ALERTING, CONNECT, DISCONNECT or PROGRESS message), the Outgoing Side shall initiate call clearing in accordance with [Section 2.3.1 on page 446](#) with cause #102, *recovery on timer expiry*.

### **2.2.5 Call Confirmation**

Upon receiving an indication that user alerting has been initiated at the called address, the Incoming Side shall send an ALERTING message, and shall enter the Call received state.

When the Outgoing Side receives the ALERTING message, the Outgoing Side may begin an internally generated alerting indication and shall enter the Call delivered state. The Outgoing Side shall stop timer T304 (in case of overlap receiving), stop timer T303 or T310 (if running), and start timer T301 (unless another internal altering supervision timer function exists).

On expiry of T301, the Outgoing Side shall initiate call clearing in accordance with [Section 2.3.1 on page 446](#) with cause #102, *recovery on timer expiry*.

### **2.2.6 Call Connection**

An Incoming Side indicates acceptance of an incoming call by sending a CONNECT message to the Outgoing Side, and stopping the user alerting. Upon sending the CONNECT message the Incoming Side shall start timer T313.

On receipt of the CONNECT message, the Outgoing Side shall stop any internally generated alerting indications, shall stop (if running) timers T301, T303, T304, and T310, shall complete the requested bearer channel to the Incoming Side, shall send a CONNECT ACKNOWLEDGE message, and shall enter the Active state.

The CONNECT ACKNOWLEDGE message indicates completion of the requested bearer channel. Upon receipt of the CONNECT ACKNOWLEDGE message, the Incoming Side shall connect to the bearer channel, stop timer T313 and enter the Active state.

When timer T313 expires prior to the receipt of a CONNECT ACKNOWLEDGE message, the Incoming Side shall initiate call clearing in accordance with [Section 2.3.1 on page 446](#) with cause #102, *recovery on timer expiry*.

### 2.2.7 Call Information

While in the Active state, both sides may exchange any information related to the ongoing call using INFORMATION messages.

### 2.2.8 Non-selected user clearing

When the call has been delivered on a connection-less channel (in case of a multi-point configuration), in addition to sending a CONNECT ACKNOWLEDGE message to the Incoming Side selected for the call, the Outgoing Side shall send a RELEASE message (indicating cause #26, *non-selected user clearing*) to all other Incoming Sides that have sent SETUP ACKNOWLEDGE, CALL PROCEEDING, ALERTING, or CONNECT messages in response to the SETUP message. These RELEASE messages are used to notify the Incoming Sides that the call is no longer offered to them.

### 2.2.9 In-band tones and announcements

When the Incoming Side provides in-band tones/announcements, and if the requested bearer implies speech call, the Incoming Side will first complete the bearer channel (if not already available). Then a progress indicator #8, *in-band information or appropriate pattern is now available* is sent simultaneously with the application of the in-band tone/announcement. This progress indicator may be included in any call control message that is allowed to contain the progress indicator information element or, if there is no call state change, in a dedicated PROGRESS message.

Upon receipt of this message, the Outgoing Side may connect (if not already connected) to the bearer channel to receive the in-band tone/announcement.

### **2.2.10 Failure of call establishment**

In the Call present, Overlap receiving, Incoming call proceeding, or Call received states, the Incoming Side may initiate clearing as described in [Section 2.3 on page 446](#) with a cause value indicated. Examples of some the cause values that may be used to clear the call, when the Incoming Side is in the Call present, Overlap receiving, or Incoming call proceeding state are the following:

- #1 unassigned (unallocated) number*
- #3 no route to destination*
- #17 user busy*
- #18 no user responding*
- #22 number changed*
- #28 invalid number format (incomplete number)*
- #34 no circuit/channel available*
- #44 requested circuit/channel not available*
- #58 bearer capability not presently available*
- #65 bearer capability not implemented*

Examples of two of the cause values that may be used to clear the call when the Incoming Side is in the Call received state are as follows:

- #19 no answer from user (user alerted)*
- #21 call rejected by user*

### 2.2.11 Call Establishment Message Flow

The figure below provides a complete view of the messages exchanged during successful Call Establishment, as described in the sections above. The mandatory messages, part of the Lean TCS, are indicated by a solid arrow. A dotted arrow indicates the optional messages. A triangle indicates a running timer.

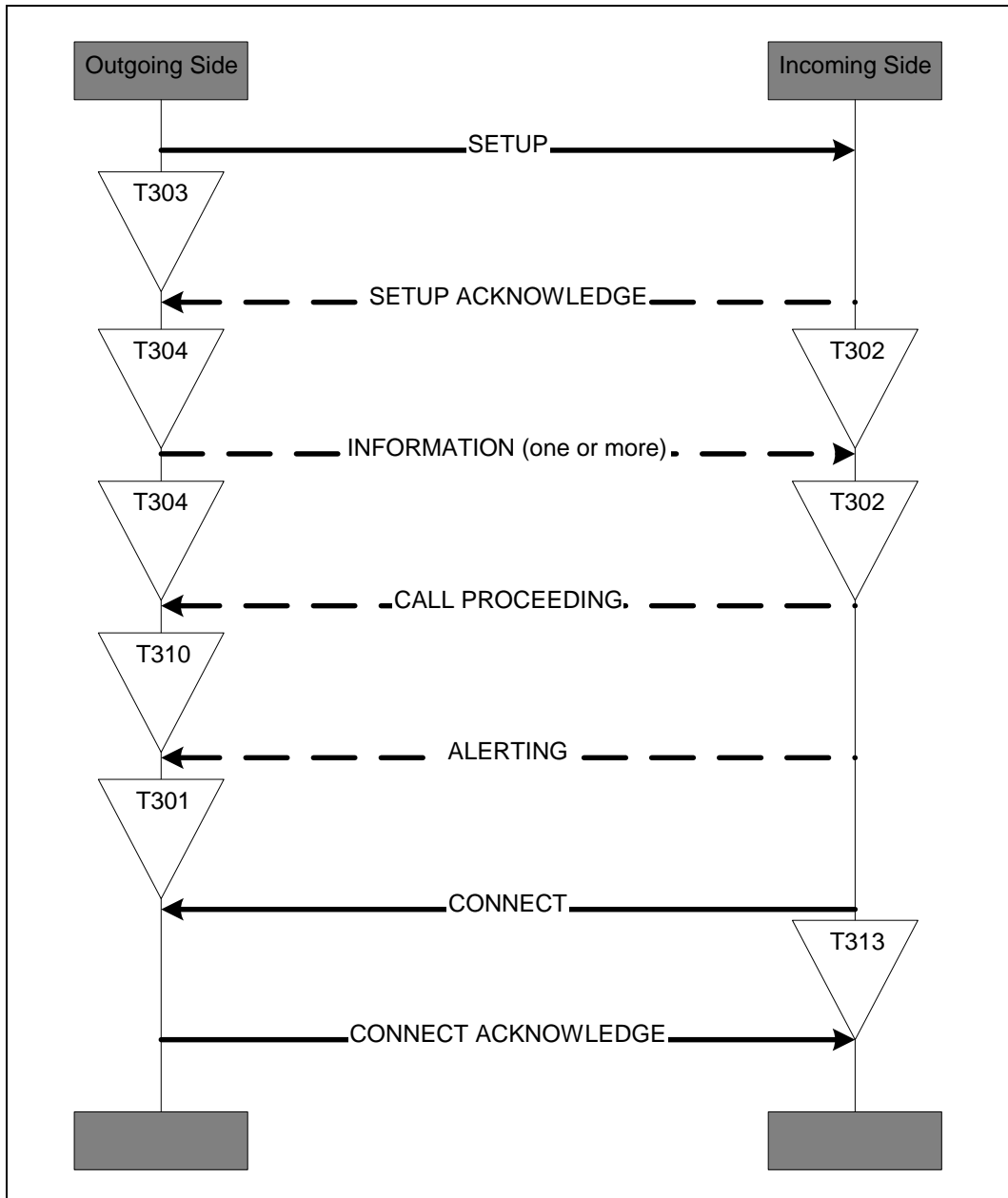


Figure 2.1: Call establishment message flow

## 2.3 CALL CLEARING

### 2.3.1 Normal Call Clearing

Apart from the exceptions identified in [Section 2.3.2 on page 447](#), the clearing procedures are symmetrical and may be initiated by either the Outgoing or the Incoming Side. In the interest of clarity, the following procedures describe only the case where the Outgoing Side initiates clearing.

On sending or receiving any call clearing message, any protocol timer other than T305 and T308 shall be stopped.

The Outgoing Side shall initiate clearing by sending a DISCONNECT message, starting timer T305, disconnecting from the bearer channel, and entering the Disconnect request state.

The Incoming Side shall enter the Disconnect indication state upon receipt of a DISCONNECT message. This message prompts the Incoming Side to disconnect from the bearer channel. Once the channel used for the call has been disconnected, the Incoming Side shall send a RELEASE message to the Outgoing Side, start timer T308, and enter the Release request state.

On receipt of the RELEASE message the Outgoing Side shall cancel timer T305, release the bearer channel, send a RELEASE COMPLETE message, and return to the Null state.

Following the receipt of a RELEASE COMPLETE message from the Outgoing Side, the Incoming Side shall stop timer T308, release the bearer channel, and return to the Null state.

If the Outgoing Side does not receive a RELEASE message in response to the DISCONNECT message before timer T305 expires, it shall send a RELEASE message to the Incoming Side with the cause number originally contained in the DISCONNECT message, start timer T308 and enter the Release request state.

If in the Release request state, a RELEASE COMPLETE message is not received before timer T308 expires, the side that expected the message shall return to the Null state.

#### **Clearing by the called user employing user-provided tones/announcements**

In addition to the procedures described above, if the requested bearer signals a speech call, the Outgoing Side may apply in-band tones/announcements in the clearing phase. When in-band tones/announcements are provided, the Outgoing Side will first complete the bearer channel (if not already available), and next send the DISCONNECT message containing progress indicator #8, *in-band information or appropriate pattern is now available*.

Upon receipt of this message, the Incoming Side may connect (if not already connected) to the bearer channel to receive the in-band tone/announcement, and enter the Disconnect indication state.

The Incoming Side may subsequently continue clearing (before the receipt of a RELEASE from the Outgoing Side) by disconnecting from the bearer channel, sending a RELEASE message, starting timer T308, and entering the Release request state.

### **2.3.2 Abnormal Call Clearing**

Under normal conditions, call clearing is initiated when either side sends a DISCONNECT message and follows the procedures defined in [Section 2.3.1 on page 446](#). The only exceptions to the above rule are as follows:

- a In response to a SETUP message, the Incoming Side can reject a call (e.g. because of unavailability of suitable resources) by responding with a RELEASE COMPLETE message provided no other response has previously been sent, and enter the Null state
- b In case of a multi-point configuration, non-selected user call clearing will be initiated with RELEASE message(s) from the Outgoing Side ([Section 2.2.8 on page 443](#))
- c In case of a multi-point configuration, where the SETUP message is delivered on an connection-less channel, if a remote (calling) user disconnect indication is received during call establishment, any Incoming Side which has responded, or subsequently responds, shall be cleared by a RELEASE message, and the procedures of [Section 2.3.1 on page 446](#) are then followed for that user. The Outgoing Side enters the Null state upon completion of clearing procedures for all responding Incoming Sides.

### **2.3.3 Clear Collision**

Clear collision occurs when the Incoming and the Outgoing Sides simultaneously transfer DISCONNECT messages. When either side receives a DISCONNECT message while in the Disconnect request state, the side shall stop timer T305, disconnect the bearer channel (if not disconnected), send a RELEASE message, start timer T308, and enter the Release request state.

Clear collision can also occur when both sides simultaneously transfer RELEASE messages. The entity receiving such a RELEASE message while within the Release request state shall stop timer T308, release the bearer channel, and enter the Null state (without sending or receiving a RELEASE COMPLETE message).

### 2.3.4 Call Clearing Message Flow

The figure below provides the complete view on the messages exchanged during normal Call Clearing, as described in the sections above. All messages are mandatory.

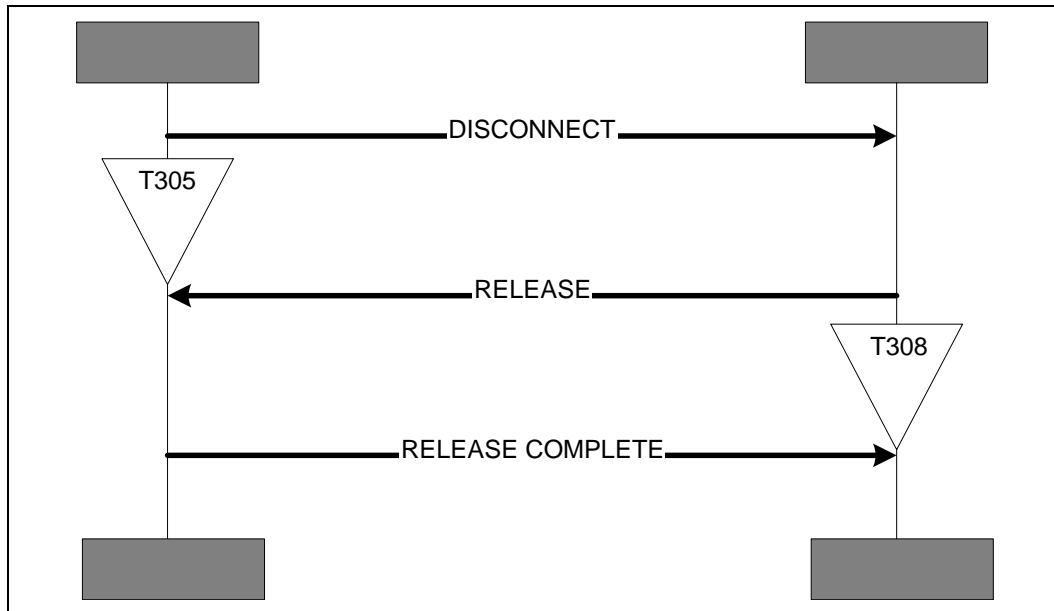


Figure 2.2: Call clearing message flow



## 3 GROUP MANAGEMENT (GM)

---

### 3.1 OVERVIEW

The Group Management entity provides procedures for managing a group of devices.

The following procedures are supported:

- Obtain access rights ([Section 3.3 on page 451](#))  
enables the requesting device to use the telephony services of another device, part of a group of devices
- Configuration distribution ([Section 3.4 on page 452](#))  
facilitates the handling and operation of a group of devices
- Fast inter-member access ([Section 3.5 on page 453](#))  
enables faster contact establishment between devices of the same group

A connection-oriented L2CAP channel between devices shall be available before any of the GM procedures can operate.

For group management, the concept of Wireless User Group (WUG) is used.

### 3.2 THE WIRELESS USER GROUP

#### 3.2.1 Description

A WUG consists of a number of Bluetooth units supporting TCS. One of the devices is called the WUG master. The WUG master is typically a gateway, providing the other Bluetooth devices – called WUG members – with access to an external network. All members of the WUG in range are members of a piconet (active or parked). Master of this piconet is always the WUG master.

The main relational characteristics of a WUG are:

- All units that are part of a WUG know which unit is the WUG master and which other units are member of this WUG. WUG members receive this information from the WUG master.
- When a new unit has paired with the WUG master, it is able to communicate and perform authentication and encryption with any other unit part of the WUG without any further pairing/initialization. The WUG master provides the required authentication and encryption parameters to the WUG members.

Both relational characteristics are maintained through the Configuration distribution procedure.

### 3.2.2 Encryption within the WUG

In order to allow for encrypted transmission on the connectionless L2CAP channel, the WUG master issues a temporary key ( $K_{\text{master}}$ ). As a Bluetooth unit is not capable of switching between two or more encryption keys in real time, this key is normally also used for encrypted transmission on the connection-oriented channel (individually addressed traffic). Since the WUG master piconet may be in operation for extended periods without interruption, the  $K_{\text{master}}$  shall be changed periodically.

In order to allow for authentication and encryption to be performed between WUG members, the WUG master may use the Configuration distribution procedure to issue link keys that the WUG members use for communication with each other. Just as if pairing had created these keys, the keys are unique to a pair of WUG members and hence a WUG member uses a different key for every other WUG member it connects to.

The Configuration distribution shall always be performed using encrypted links. The  $K_{\text{master}}$  shall not be used for encryption; rather the WUG master shall ensure that the semi-permanent key for the specific WUG member addressed shall be used.

### 3.2.3 Unconscious pairing

For TCS, pairing a device with the WUG master implies pairing a device with all members of the WUG. This is achieved using the Configuration distribution procedure. This avoids the user of the device having to pair with each and every device of the WUG individually.

In Bluetooth, pairing is not related to a specific service but rather to a specific device. After pairing, all services provided by a device are accessible, if no further application- or device-specific protection is provided.

Without further provisions, pairing a device with the WUG master implies that all services provided by the new device are accessible to all other WUG members. And vice versa, without further provisions, the new device can access all services provided by other WUG members.

For this reason, implementers of TCS – and in particular the Configuration distribution procedure – are recommended to add provisions where:

1. a new device entering the WUG is not mandated to initiate the Obtain access rights procedure to become a WUG member, and is consequently only able to use the services provided by the WUG master (gateway)
2. a WUG master can reject a request to obtain access rights
3. a WUG member is not forced to accept the pairing information received during the Configuration distribution

This applies in particular to devices offering more than just TCS- related services.

### 3.3 OBTAIN ACCESS RIGHTS

Using the Obtain access rights procedure, a device can obtain the rights to use the telephony services provided by another device, part of a WUG.

#### 3.3.1 Procedure description

A device requests access rights by sending an ACCESS RIGHTS REQUEST message and starting timer T401. Upon receipt of the ACCESS RIGHTS REQUEST message, the receiving device accepts the request for access rights by sending an ACCESS RIGHTS ACCEPT.

When the requesting device receives the ACCESS RIGHTS ACCEPT, it shall stop timer T401. Then, the access rights procedure has completed successfully.

If no response has been received before the expiration of timer T401, the requesting device shall consider the request for access rights to be denied.

If, upon receipt of the ACCESS RIGHTS REQUEST message, the receiving device is for some reason unable to accept the access rights, it shall reply with an ACCESS RIGHTS REJECT message. Upon receipt of an ACCESS RIGHTS REJECT message, the requesting device shall stop timer T401 and consider the request for access rights to be denied.

#### 3.3.2 Message flow

The figure below provides the complete view on the messages exchanged during the Obtain access rights procedure.

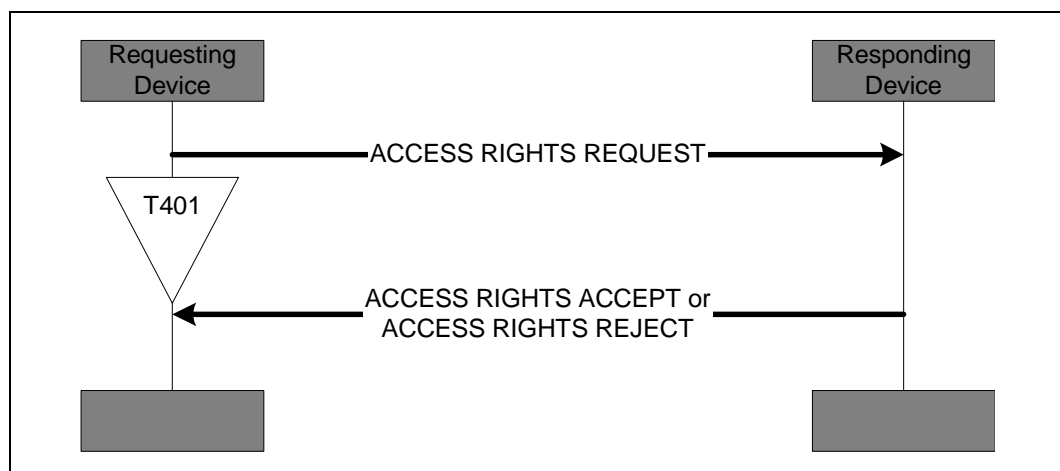


Figure 3.1: Obtain access rights message flow

### 3.4 CONFIGURATION DISTRIBUTION

The units in the WUG need to be informed about changes in the WUG; e.g. when a unit is added or removed. The Configuration distribution procedure is used to exchange this data.

When a WUG configuration change occurs, the WUG master initiates the Configuration distribution procedure on all WUG members. The WUG master keeps track of which WUG members have been informed of WUG configuration changes.

Some WUG members may be out of range and may therefore not be reached. The update of these WUG members will be performed when these members renew contact with the WUG master.

#### 3.4.1 Procedure Description

The WUG master initiates the Configuration distribution procedure by starting timer T403, and transferring the INFO SUGGEST message. The INFO SUGGEST message contains the complete WUG configuration information. Upon receipt of the INFO SUGGEST message, the WUG member shall send an INFO ACCEPT message, to acknowledge the proper receipt of the WUG configuration information.

When the WUG master receives the INFO ACCEPT, the timer T401 is stopped, and the Configuration distribution procedure has completed successfully. On expiry of timer T403, the Configuration distribution procedure is terminated.

#### 3.4.2 Message flow

The figure below provides the complete view on the messages exchanged during the Configuration distribution procedure, as described in the sections above.

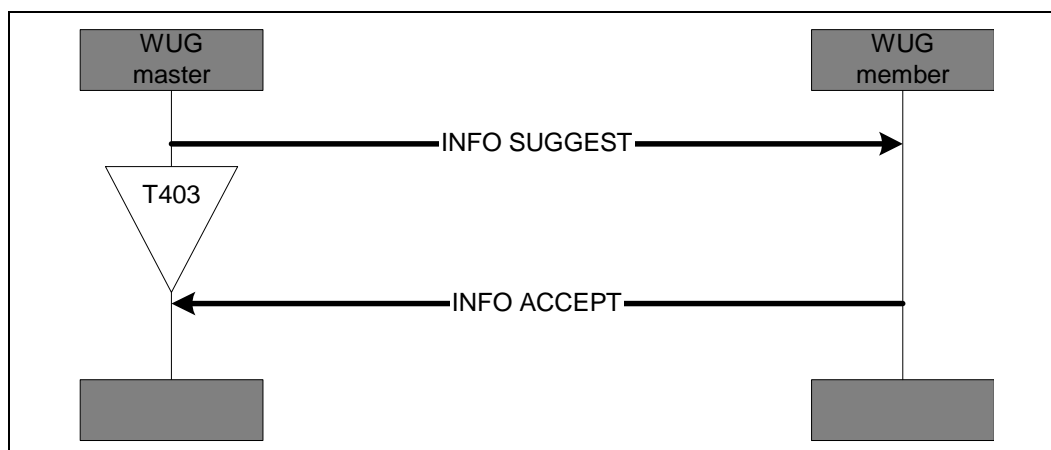


Figure 3.2: Configuration distribution message flow

### 3.5 FAST INTER-MEMBER ACCESS

When two WUG members are both active in the WUG master piconet, a WUG member can use the Fast inter-member access procedure to obtain fast access to another WUG member. With the Fast inter-member access procedure, the originating WUG member obtains clock information from the terminating WUG member and forces the terminating WUG member to go into PAGE\_SCAN for a defined period (T406).

#### 3.5.1 Listen Request

The originating WUG member initiates the Fast inter-member access procedure by starting timer T404 and transferring the LISTEN REQUEST message to the WUG master, indicating the WUG member with which it wishes to establish contact.

If, before expiry of timer T404, the originating WUG member receives no response to the LISTEN REQUEST message, the originating WUG member shall terminate the procedure.

#### 3.5.2 Listen Accept

Upon receipt of the LISTEN REQUEST message, the WUG master checks that the indicated WUG member is part of the WUG. If this is the case, the WUG master initiates the Fast inter-member access towards the terminating WUG member side by starting timer T405 and sending the LISTEN SUGGEST message to the terminating WUG member.

Upon receipt of the LISTEN SUGGEST message, the terminating WUG member confirms the suggested action (internal call) by sending a LISTEN ACCEPT message to the WUG master. This message contains the terminating WUG member's clock offset. After sending the LISTEN ACCEPT, the terminating WUG member shall go to PAGE-SCAN state, for T406 seconds, to enable connection establishment by the originating WUG member.

Upon receipt of the LISTEN ACCEPT message, the WUG master stops timer T405, and informs the originating WUG member of the result of the WUG fast inter-member access by sending a LISTEN ACCEPT message. This message contains the terminating WUG member's clock offset. Upon receipt of the LISTEN ACCEPT message, the originating WUG member stops timer T404, and starts paging the terminating WUG member.

If no response to the LISTEN SUGGEST message is received by the WUG master before the first expiry of timer T405, then the WUG master shall terminate the Fast inter-member access procedure by sending a LISTEN REJECT message to both originating and terminating WUG member using cause #102, *recovery on timer expiry*.

### 3.5.3 Listen Reject by the WUG Master

If the WUG master rejects the Fast inter-member access procedure, it sends a LISTEN REJECT message to the originating WUG member.

Valid cause values are:

#1, *Unallocated (unassigned) number* (when the indicated WUG member is not part of the WUG)

#17, *User busy* (in case terminating WUG member is engaged in an external call)

#20, *Subscriber absent* (upon failure to establish contact with the terminating WUG member), or

any cause value indicated in a LISTEN REJECT message received from/sent to the terminating WUG member.

Upon receipt of the LISTEN REJECT message, the originating WUG member stops timer T404, and terminates the procedure.

### 3.5.4 Listen Reject by the WUG Member

If the terminating WUG member rejects the suggested action received in the LISTEN SUGGEST message, it sends a LISTEN REJECT message to the WUG master. Valid cause value is #17, *User busy* (in case terminating WUG member is engaged in another internal call).

Upon receipt of the LISTEN REJECT, the WUG master stops timer T405, and continues as described in [Section 3.5.3 on page 454](#).

### 3.5.5 Message flow

The figure below provides a view of the messages exchanged during Fast inter-member access, as described in the sections above. A successful Fast inter-member access procedure ends with the terminating WUG member going into page scan, thus allowing the originating WUG member to contact him directly.

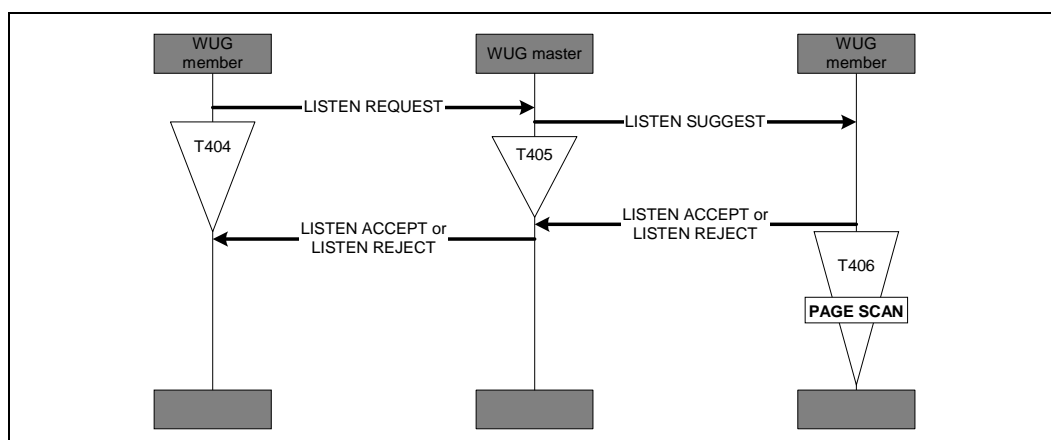


Figure 3.3: Fast inter-member access message flow

## 4 CONNECTIONLESS TCS (CL)

A connectionless TCS message can be used to exchange signalling information without establishing a TCS call. It is thus a connectionless service offered by TCS.

A connectionless TCS message is a CL INFO message (as defined in [Section 6.3.1 on page 470](#)).

A connection-oriented L2CAP channel between the Outgoing and Incoming Side shall be available before a CL INFO message can be sent.

*Note: In the case of a connection-oriented channel, it may choose to delay the termination of the channel for a defined period to exchange more CL INFO messages.*

Alternatively, in a multi-point configuration (see [Section 1.2 on page 435](#)), a connectionless L2CAP channel may be used and, if so, shall be available before a CL INFO can be sent.

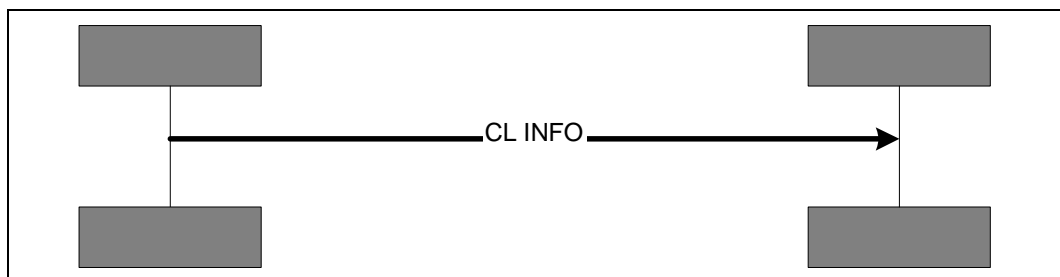


Figure 4.1: Connectionless TCS message flow

## 5 SUPPLEMENTARY SERVICES (SS)

The TCS provides explicit support for only one supplementary service, the Calling Line Identity (see [Section 5.1 on page 456](#)).

For supplementary services provided by an external network, using DTMF sequences for the activation/de-activation and interrogation of supplementary services, the DTMF start & stop procedure is supported (see [Section 5.2 on page 456](#)). This procedure allows both finite and infinite tone lengths.

[Section 5.3 on page 458](#) specifies how a specific supplementary service, provided by an external network, called register recall is supported.

For other means of supplementary service control, no explicit support is specified. Support may be realized by either using the service call, or use the company specific information element, or a combination.

### 5.1 CALLING LINE IDENTITY

To inform the Incoming Side of the identity of the originator of the call, the Outgoing Side may include the calling party number information element (see [Section 7.4.6 on page 481](#)) in the SETUP message transferred as part of the call request.

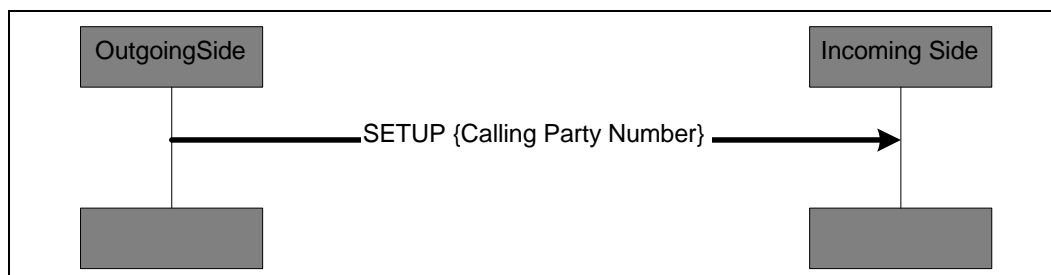


Figure 5.1: Calling line identity message flow

### 5.2 DTMF START & STOP

The DTMF start & stop procedure is supported to provide supplementary service control on PSTN type of networks.

In principle DTMF messages can be initiated by either (Outgoing or Incoming) Side; in practice, however, the Side (gateway) connected to the external PSTN network will be the recipient.

DTMF messages can be transmitted only in the active state of a call. Tone generation shall end when the call is disconnected.



### 5.2.1 Start DTMF request

A user may cause a DTMF tone to be generated; e.g. by depression of a key. The relevant action is interpreted as a requirement for a DTMF digit to be sent in a START DTMF message on an established signalling channel. This message contains the value of the digit to be transmitted (0, 1...9, A, B, C, D, \*, #).

Only a single digit will be transferred in each START DTMF message.

### 5.2.2 Start DTMF response

The side receiving the START DTMF message will reconvert the received digit back into a DTMF tone which is applied toward the remote user, and return a START DTMF ACKNOWLEDGE message to the initiating side. This acknowledgment may be used to generate an indication as a feedback for a successful transmission.

If the receiving side cannot accept the START DTMF message, a START DTMF REJECT message will be sent to the initiating side, using cause #29, *Facility rejected*, indicating that sending DTMF is not supported by the external network.

### 5.2.3 Stop DTMF request

When the user indicates the DTMF sending should cease (e.g. by releasing the key) the initiating side will send a STOP DTMF message to the other side.

### 5.2.4 Stop DTMF response

Upon receiving the STOP DTMF message, the receiving side will stop sending the DTMF tone (if still being sent) and return a STOP DTMF ACKNOWLEDGE message to the initiating side.

### 5.2.5 Message flow

The figure below provides a view of the messages exchanged when a single DTMF tone needs to be generated.

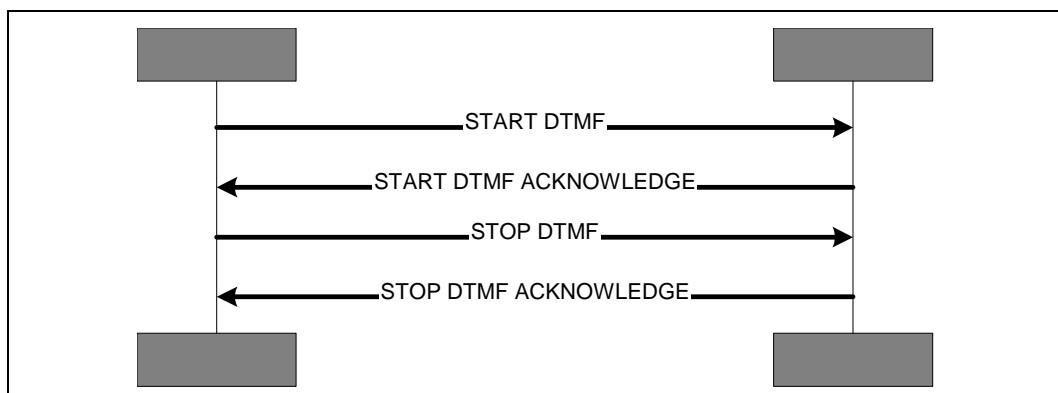


Figure 5.2: DTMF start & stop message flow

### **5.3 REGISTER RECALL**

Register recall means to seize a register (with dial tone) to permit input of further digits or other action. In some markets, this is referred to as 'hook flash'. Register recall is supported by sending an INFORMATION message with a keypad facility information element, indicating 'register recall' (value 16H). Further digits are sent using the procedures as indicated in [Section 5.2](#) above.

## 6 MESSAGE FORMATS

---

This section provides an overview of the structure of messages used in this specification, and defines the function and information contents (i.e. semantics) of each message.

Whenever a message is sent according to the procedures of Sections 2, 3 and 4, it shall contain the mandatory information elements, and optionally any combination of the optional information elements specified in this section for that message.

A message shall always be delivered in a single L2CAP packet. The start of a message (the LSB of the first octet) shall be aligned with the start of the L2CAP payload.

Each definition includes:

- a) A brief description of the message direction and use
- b) A table listing the information elements in order of their appearance in the message (same relative order for all message types)
- c) Indications for each information element in the table, specifying –
  - the section of this specification describing the information element
  - whether inclusion is mandatory ('M') or optional ('O')
  - the length (or length range) of the information element, where '\*' denotes an undefined maximum length which may be application dependent.
- d) Further explanatory notes, as necessary

All message formats are denoted in octets.

## 6.1 CALL CONTROL MESSAGE FORMATS

### 6.1.1 ALERTING

This message is sent by the incoming side to indicate that the called user alerting has been initiated.

Message Type: ALERTING

Direction: incoming to outgoing

Information Element	Ref.	Type	Length
Message type	7.3	M	1
Bearer capability	7.4.3	O Note 1)	4(26)
Progress indicator	7.4.13	O	2
SCO Handle	7.4.14	O	2
Destination CID	7.4.11	O	4
Company specific	7.4.9	O	3-*

Table 6.1: ALERTING message content

Note 1: Allowed only in the first message sent by the incoming side.

### 6.1.2 CALL PROCEEDING

This message is sent by the incoming side to indicate that the requested call establishment has been initiated and no more call establishment information will be accepted.

Message Type: CALL PROCEEDING

Direction: incoming to outgoing

Information Element	Ref.	Type	Length
Message type	7.3	M	1
Bearer capability	7.4.3	O Note 1)	4(26)
Progress indicator	7.4.13	O	2
SCO Handle	7.4.14	O	2
Destination CID	7.4.11	O	4
Company specific	7.4.9	O	3-*

Table 6.2: CALL PROCEEDING message content

Note 1: Allowed only in the first message sent by the incoming side.

### 6.1.3 CONNECT

This message is sent by the incoming side to indicate call acceptance by the called user.

Message Type: CONNECT

Direction: incoming to outgoing

Information Element	Ref.	Type	Length
Message type	7.3	M	1
Bearer capability	7.4.3	O <sup>Note 1)</sup>	4(26)
SCO Handle	7.4.14	O	2
Company specific	7.4.9	O	3-*

Table 6.3: CONNECT message content

Note 1: Allowed only in the first message sent by the incoming side.

### 6.1.4 CONNECT ACKNOWLEDGE

This message is sent by the outgoing side to acknowledge the receipt of a CONNECT message.

Message Type: CONNECT ACKNOWLEDGE

Direction: outgoing to incoming

Information Element	Ref.	Type	Length
Message type	7.3	M	1
SCO Handle	7.4.14	O	2
Destination CID	7.4.11	O	4
Company specific	7.4.9	O	3-*

Table 6.4: CONNECT ACKNOWLEDGE message content

### 6.1.5 DISCONNECT

This message is sent by either side as an invitation to terminate the call.

Message Type: DISCONNECT

Direction: both

Information Element	Ref.	Type	Length
Message type	7.3	M	1
Cause	7.4.7	O	2
Progress indicator	7.4.13	O	2
SCO Handle	7.4.14	O	2
Destination CID	7.4.11	O	4
Company specific	7.4.9	O	3-*

Table 6.5: DISCONNECT message content

### 6.1.6 INFORMATION

This message is sent by either side to provide additional information during call establishment (in case of overlap sending).

Message Type: INFORMATION

Direction: both

Information Element	Ref.	Type	Length
Message type	7.3	M	1
Sending complete	7.4.15	O	1
Keypad facility	7.4.12	O	2
Called party number	7.4.5	O	3-*
Audio control	7.4.2	O	3-*
Company specific	7.4.9	O	3-*

Table 6.6: INFORMATION message content

### 6.1.7 PROGRESS

This message is sent by the incoming side to indicate the progress of a call in the event of interworking or by either side in the call with the provision of optional in-band information/patterns.

Message Type: PROGRESS

Direction: incoming to outgoing

Information Element	Ref.	Type	Length
Message type	7.3	M	1
Progress indicator	7.4.13	M	2
SCO Handle	7.4.14	O	2
Destination CID	7.4.11	O	4
Company specific	7.4.9	O	3-*

Table 6.7: PROGRESS message content

### 6.1.8 RELEASE

This message is used to indicate that the device sending the message had disconnected the channel (if any) and intends to release the channel, and that receiving device should release the channel after sending RELEASE COMPLETE.

Message Type: RELEASE

Direction: both

Information Element	Ref.	Type	Length
Message type	7.3	M	1
Cause	7.4.7	O <sup>Note 1)</sup>	2
Company specific	7.4.9	O	3-*

Table 6.8: RELEASE message content

Note 1: Mandatory in the first call clearing message.

### 6.1.9 RELEASE COMPLETE

This message is used to indicate that the device sending the message has released the channel (if any), and that the channel is available for re-use.

Message Type: RELEASE COMPLETE

Direction: both

Information Element	Ref.	Type	Length
Message type	7.3	M	1
Cause	7.4.7	O <sup>Note 1)</sup>	2
Company specific	7.4.9	O	3-*

Table 6.9: RELEASE COMPLETE message content

Note 1: Mandatory in the first call clearing message.

### 6.1.10 SETUP

This message is sent by the outgoing side to initiate call establishment.

Message Type:

Direction:

Information Element	Ref.	Type	Length
Message type	7.3	M	1
Call class	7.4.4	M	2
Sending complete	7.4.15	O	1
Bearer capability	7.4.3	O	4(26)
Signal	7.4.16	O	2
Calling party number	7.4.6	O	3-*
Called party number	7.4.5	O	3-*
Company specific	7.4.9	O	3-*

Table 6.10: SETUP message content



### 6.1.11 SETUP ACKNOWLEDGE

This message is sent by the incoming side to indicate that call establishment has been initiated, but additional information may be required.

Message Type: SETUP ACKNOWLEDGE

Direction: incoming to outgoing

Information Element	Ref.	Type	Length
Message type	7.3	M	1
Bearer capability	7.4.3	O <sup>Note 1)</sup>	4(26)
Progress indicator	7.4.13	O	2
SCO Handle	7.4.14	O	2
Destination CID	7.4.11	O	4
Company specific	7.4.9	O	3-*

Table 6.11: SETUP ACKNOWLEDGE message content

Note 1: Allowed only in the first message sent by the incoming side.

### 6.1.12 Start DTMF

This message contains the digit the other side should reconvert back into a DTMF tone, which is then applied towards the remote user.

Message Type: Start DTMF

Direction: both

Information Element	Ref.	Type	Length
Message type	7.3	M	1
Keypad facility	7.4.12	M	2

Table 6.12: Start DTMF message content

### 6.1.13 Start DTMF Acknowledge

This message is sent to indicate the successful initiation of the action required by the Start DTMF message.

Message Type: Start DTMF Acknowledge

Direction: both

Information Element	Ref.	Type	Length
Message type	7.3	M	1
Keypad facility	7.4.12	M	2

Table 6.13: Start DTMF Acknowledge message content

### 6.1.14 Start DTMF Reject

This message is sent to indicate that the other side cannot accept the Start DTMF message.

Message Type: Start DTMF Reject

Direction: both

Information Element	Ref.	Type	Length
Message type	7.3	M	1
Cause	7.4.7	O	2

Table 6.14: Start DTMF Reject message content

### 6.1.15 Stop DTMF

This message is used to stop the DTMF tone sent towards the remote user.

Message Type: Stop DTMF

Direction: both

Information Element	Ref.	Type	Length
Message type	7.3	M	1

Table 6.15: Stop DTMF message content

### 6.1.16 Stop DTMF Acknowledge

This message is sent to indicate that the sending of the DTMF tone has been stopped.

Message Type: Stop DTMF Acknowledge

Direction: both

Information Element	Ref.	Type	Length
Message type	7.3	M	1
Keypad facility	7.4.12	M	2

Table 6.16: Stop DTMF Acknowledge message content

## 6.2 GROUP MANAGEMENT MESSAGE FORMATS

### 6.2.1 ACCESS RIGHTS REQUEST

This message is sent by the initiating side to obtain access rights.

Message Type: ACCESS RIGHTS REQUEST

Direction:

Information Element	Ref.	Type	Length
Message type	7.3	M	1
Company specific	7.4.9	O	3-*

Table 6.17: ACCESS RIGHTS REQUEST message content

### 6.2.2 ACCESS RIGHTS ACCEPT

This message is sent by the responding side to indicate granting of access rights.

Message Type: ACCESS RIGHTS ACCEPT

Direction:

Information Element	Ref.	Type	Length
Message type	7.3	M	1
Company specific	7.4.9	O	3-*

Table 6.18: ACCESS RIGHTS ACCEPT message content

### 6.2.3 ACCESS RIGHTS REJECT

This message is sent by the responding side to indicate denial of access rights.

Message Type: ACCESS RIGHTS REJECT

Direction:

Information Element	Ref.	Type	Length
Message type	7.3	M	1
Company specific	7.4.9	O	3-*

Table 6.19: ACCESS RIGHTS REJECT message content

### 6.2.4 INFO SUGGEST

This message is sent by the WUG master to indicate that a change has occurred in the WUG configuration.

Message Type: INFO SUGGEST

Direction: WUG master to WUG member

Information Element	Ref.	Type	Length
Message type	7.3	M	1
Configuration Data	7.4.10	M	*
Company specific	7.4.9	O	3-*

Table 6.20: INFO SUGGEST message content

### 6.2.5 INFO ACCEPT

This message is sent by the WUG member to indicate the acceptance of the updated WUG configuration.

Message Type: INFO ACCEPT

Direction: WUG member to WUG master

Information Element	Ref.	Type	Length
Message type	7.3	M	1
Company specific	7.4.9	O	3-*

Table 6.21: INFO ACCEPT message content

## 6.2.6 LISTEN REQUEST

This message is sent by a WUG member to indicate to the WUG master the request for a Fast inter-member access to the indicated WUG member.

Message Type: LISTEN REQUEST

Direction: WUG member to WUG master

Information Element	Ref.	Type	Length
Message type	7.3	M	1
Called party number	7.4.6	M	3-*
Company specific	7.4.9	O	3-*

Table 6.22: LISTEN REQUEST message content

## 6.2.7 LISTEN SUGGEST

This message is sent by a WUG master to indicate to the WUG member the request for a Fast inter-member access.

Message Type: LISTEN SUGGEST

Direction: WUG master to WUG member

Information Element	Ref.	Type	Length
Message type	7.3	M	1
Company specific	7.4.9	O	3-*

Table 6.23: LISTEN SUGGEST message content

## 6.2.8 LISTEN ACCEPT

This message is sent to indicate the acceptance of the previous request for a Fast inter-member access.

Message Type: LISTEN ACCEPT

Direction: both

Information Element	Ref.	Type	Length
Message type	7.3	M	1
Clock offset	7.4.8	O	4
Company specific	7.4.9	O	3-*

Table 6.24: LISTEN ACCEPT message content

## 6.2.9 LISTEN REJECT

This message is sent to indicate the rejection of the previous request for a Fast inter-member access.

Message Type: LISTEN REJECT

Direction: both

Information Element	Ref.	Type	Length
Message type	7.3	M	1
Cause	7.4.7	O	2
Company specific	7.4.9	O	3-*

Table 6.25: LISTEN REJECT message content

## 6.3 TCS CONNECTIONLESS MESSAGE FORMATS

### 6.3.1 CL INFO

This message is sent by either side to provide additional information in a connectionless manner.

Message Type: CL INFO

Direction: both

Information Element	Ref.	Type	Length
Message type	7.3	M	1
Audio control	7.4.2	O	3-*
Company specific	7.4.9	O	3-*

Table 6.26: CL INFO message content

## 7 MESSAGE CODING

The figures and text in this section describe message contents. Within each octet, the bit designated 'bit 1' is transmitted first, followed by bit 2, 3, 4, etc. Similarly, the octet shown at the top of the figure is sent first.

Whenever a message is sent, according to the procedures of Sections 2, 3 and 4, it shall be coded as specified in this section.

### 7.1 OVERVIEW

The coding rules follow ITU-T Recommendation Q.931, but is tailored to the specific needs of TCS.

Every message consists of:

- a) Protocol discriminator
- b) Message type, and
- c) Other information elements, as required

The Protocol discriminator and Message type is part of every TCS message, while the other information elements are specific to each message type.

8	7	6	5	4	3	2	1	
Protocol discriminator				Message type				octet 1
Other information elements as required								octet 2

Table 7.1: General message format

A particular information element shall be present only once in a given message.

The term 'default' implies that the value defined shall be used in the absence of any assignment or negotiation of alternative values.

For notation purposes – when a field extends over more than one octet, the order of bit values progressively decreases as the octet number increases. The least significant bit of the field is represented by the lowest numbered bit of the highest-numbered octet of the field. In general, bit 1 of each octet contains the least significant bit of a field.

## 7.2 PROTOCOL DISCRIMINATOR

The purpose of the protocol discriminator is to distinguish the TCS messages into different functional groups. The protocol discriminator is the first part of every message.

The protocol discriminator is coded according to [Figure 7.1](#) and [Table 7.2](#).

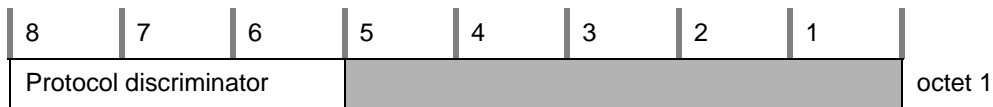


Figure 7.1: Protocol discriminator

Bits			
8	7	6	
0	0	0	Bluetooth TCS Call Control
0	0	1	Bluetooth TCS Group management
0	1	0	Bluetooth TCS Connectionless
All other values reserved			

Table 7.2: Protocol discriminator

## 7.3 MESSAGE TYPE

The purpose of the message type is to identify the function of the message being sent.

The Message type is the first part of every message and it is coded as shown in [Figure 7.2](#) and [Table 7.3](#).

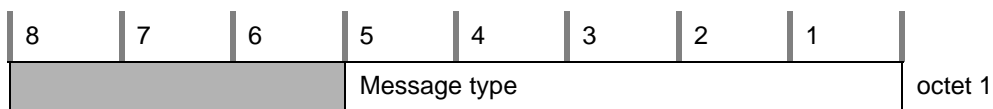


Figure 7.2: Message type

Bits					
5	4	3	2	1	
					<b>Call Control messages</b>
					<b>Call Establishment</b>
0	0	0	0	0	ALERTING

Table 7.3: Message type



Bits					
5	4	3	2	1	
0	0	0	0	1	CALL PROCEEDING
0	0	0	1	0	CONNECT
0	0	0	1	1	CONNECT ACKNOWLEDGE
0	0	1	0	0	PROGRESS
0	0	1	0	1	SETUP
0	0	1	1	0	SETUP ACKNOWLEDGE
					<i>Call clearing</i>
0	0	1	1	1	DISCONNECT
0	1	0	0	0	RELEASE
0	1	0	0	1	RELEASE COMPLETE
					<i>Miscellaneous</i>
0	1	0	1	0	INFORMATION
1	0	0	0	0	START DTMF
1	0	0	0	1	START DTMF ACKNOWLEDGE
1	0	0	1	0	START DTMF REJECT
1	0	0	1	1	STOP DTMF
1	0	1	0	0	STOP DTMF ACKNOWLEDGE
					<b><i>Group management messages</i></b>
0	0	0	0	0	INFO SUGGEST
0	0	0	0	1	INFO ACCEPT
0	0	0	1	0	LISTEN REQUEST
0	0	0	1	1	LISTEN ACCEPT
0	0	1	0	0	LISTEN SUGGEST
0	0	1	0	1	LISTEN REJECT
0	0	1	1	0	ACCESS RIGHTS REQUEST
0	0	1	1	1	ACCESS RIGHTS ACCEPT
0	1	0	0	0	ACCESS RIGHTS REJECT
					<b><i>Connectionless messages</i></b>
0	0	0	0	0	CL INFO

Table 7.3: Message type

## 7.4 OTHER INFORMATION ELEMENTS

### 7.4.1 Coding rules

The coding of other information elements follows the coding rules described below.

Three categories of information elements are defined:

- a) single octet information elements (see [Figure 7.3 on page 474](#))
- b) double octet information element (see [Figure 7.4 on page 474](#))
- c) variable length information elements (see [Figure 7.5 on page 474](#)).

[Table 7.4 on page 474](#) summarizes the coding of the information element identified bits for those information elements used in this specification.

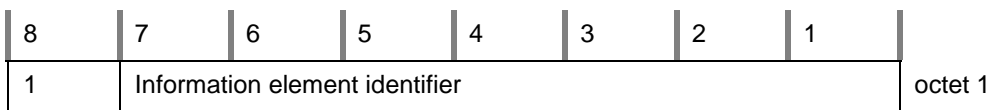


Figure 7.3: Single octet information element format

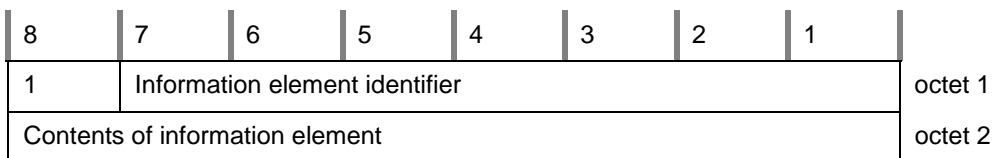


Figure 7.4: Double octet information element format

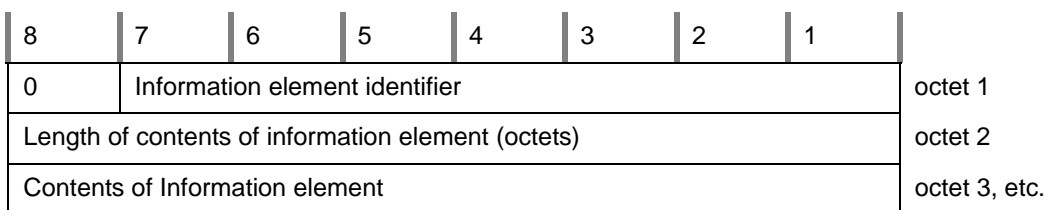


Figure 7.5: Variable length information element format

Coding								Ref.	Max Length (octets)
8	7	6	5	4	3	2	1		
1									<i>Single octet information elements</i>
	0	1	0	0	0	0	1	7.4.15	1
1									<i>Double octet information elements</i>

Table 7.4: Information element identifier coding

Coding								Ref.	Max Length (octets)	
8	7	6	5	4	3	2	1			
	1	0	0	0	0	0	0	Call class	7.4.4	2
	1	0	0	0	0	0	1	Cause	7.4.7	2
	1	0	0	0	0	1	0	Progress indicator	7.4.13	2
	1	0	0	0	0	1	1	Signal	7.4.16	2
	1	0	0	0	1	0	0	Keypad facility	7.4.12	2
	1	0	0	0	1	0	1	SCO handle	7.4.14	2
0								<i>Variable length information elements</i>		
	0	0	0	0	0	0	0	Clock offset	7.4.8	4
	0	0	0	0	0	0	1	Configuration data	7.4.2	*
	0	0	0	0	0	1	0	Bearer capability	7.4.3	4(26)
	0	0	0	0	0	1	1	Destination CID	7.4.11	4
	0	0	0	0	1	0	0	Calling party number	7.4.6	*
	0	0	0	0	1	0	1	Called party number	7.4.5	*
	0	0	0	0	1	1	0	Audio control	7.4.2	*
	0	0	0	0	1	1	1	Company specific	7.4.9	*

Table 7.4: Information element identifier coding

The descriptions of the information elements below are organized in alphabetical order. However, there is a particular order of appearance for each information element in a message. The code values of the information element identifier for the variable length formats are assigned in ascending numerical order, according to the actual order of appearance of each information element in a message. This allows the receiving devices to detect the presence or absence of a particular information element without scanning through an entire message.

Where the description of information elements in this specification contains spare bits, these bits are indicated as being set to '0'. In order to allow compatibility with future implementation, messages should not be rejected simply because a spare bit is set to '1'.

The second octet of a variable length information element indicates the total length of the contents of that information element regardless of the coding of the first octet (i.e. the length is calculated starting from octet 3). It is the binary coding of the number of octets of the contents, with bit 1 as the least significant bit (2<sup>0</sup>).

An optional variable-length information element may be present, but empty (zero length). The receiver should interpret this as if that information element

was absent. Similarly, an absent information element should be interpreted by the receiver as if that information element was empty.

### 7.4.2 Audio control

The purpose of the Audio control information elements is to indicate information relating to the control of audio.

8	7	6	5	4	3	2	1	Octets
0	0	0	0	0	1	1	0	1
Length of contents of information element (octets)								2
Control information								3

Figure 7.6:

Control information (octet 3)								
Bits								
	7	6	5	4	3	2	1	
	0	0	0	0	0	0	0	Volume increase
	0	0	0	0	0	0	1	Volume decrease
	0	0	0	0	0	1	0	Microphone gain increase
	0	0	0	0	0	1	1	Microphone gain decrease
	0	X	X	X	X	X	X	Reserved for Bluetooth standardization
	1	X	X	X	X	X	X	Company specific

Table 7.5: Audio Control information element coding

### 7.4.3 Bearer capability

The purpose of the Bearer capability information elements is to indicate a requested or available bearer service.

If this information element is absent, the default Bearer capability is Link type Synchronous Connection-Oriented with packet type HV3, using CVSD coding for the User information layer 1.

8	7	6	5	4	3	2	1	Octets
0	0	0	0	0	0	1	0	1
Length of contents of information element (octets)								2
Link type								3

Figure 7.7:

Link type element coding = 00000000 (SCO)

User information layer 1	Packet type	4
--------------------------	-------------	---

Figure 7.8:

Link type element coding = 00000001 (ACL)

Flags		4
Service type		5
Token Rate		6
		7
		8
		9
Token Bucket Size (bytes)		10
		11
		12
		13
Peak Bandwidth (bytes/second)		14
		15
		16
		17
Latency (microseconds)		18
		19
		20
		21
Delay Variation (microseconds)		22
		23
		24
		25
User information layer 3	User information layer 2	26

Figure 7.9:

Note: the Quality of Service is repeated at TCS level, as only TCS has the knowledge of end-to-end Quality of Service requirements.

<i>Link type (octet 3)</i>									
Bits									
8	7	6	5	4	3	2	1		
0	0	0	0	0	0	0	0	Synchronous Connection-Oriented	
0	0	0	0	0	0	0	1	Asynchronous Connection-Less	
0	0	0	0	0	0	1	0	None	
All other values are reserved									
<i>Octet 4 coding (Link type element coding = 000000000)</i>									
<i>Packet type (octet 4)</i>									
Bits									
5	4	3	2	1					
0	0	1	0	1	HV1				
0	0	1	1	0	HV2				
0	0	1	1	1	HV3				
0	1	0	0	0	DV				
All other values are reserved									
<i>User information layer 1 (octet 4)</i>									
Bits									
8	7	6							
0	0	1	CVSD						
0	1	0	PCM A-law						
0	1	1	PCM $\mu$ -law						
All other values reserved									
<i>Octets 4-26 coding (Link type element coding = 000000001)</i>									
The details of the coding Octets 4-25 can be found in L2CAP, see <a href="#">L2CAP, Section 6 on page 289</a>									
<i>User information layer 2 (octet 26)</i>									
Bits									
4	3	2	1						
0	0	0	0	RFCOMM over L2CAP					
All other values are reserved									
<i>User information layer 3 (octet 26)</i>									
Bits									
8	7	6	5						
0	0	0	0	Not specified					
0	0	0	1	PPP					
0	0	1	0	IP					
All other values reserved									
<i>Octet 4 coding (Link type element coding = 000000010)</i>									
Octet 4 is absent									

Table 7.6: Bearer capability information element coding

### 7.4.4 Call class

The purpose of the Call class is to indicate the basic aspects of the service requested. This element allows the user to indicate the use of default attributes, thereby reducing the length of the set-up message.

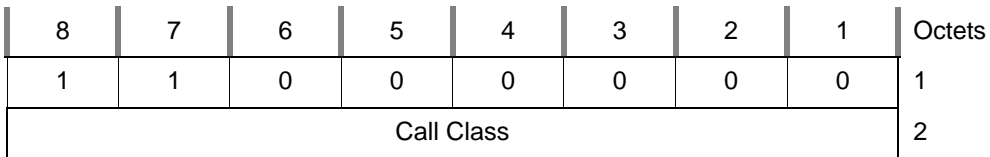


Figure 7.10:

Call class (octet 2)								
Bits								
8	7	6	5	4	3	2	1	
0	0	0	0	0	0	0	0	External call
0	0	0	0	0	0	0	1	Intercom call
0	0	0	0	0	0	1	0	Service call
0	0	0	0	0	0	1	1	Emergency call
All other values reserved								

Table 7.7: Call class information element coding

#### Note

- An external call is a call to/from an external network; e.g. the PSTN.
- An intercom call is a call between Bluetooth devices.
- A service call is a call for configuration purposes.
- An emergency call is an external call using a dedicated emergency call number, using specific properties.

### 7.4.5 Called party number

The purpose of the Called party number information element is to identify the called party of a call.

8	7	6	5	4	3	2	1	Octets
0	0	0	0	0	1	0	1	1
Length of contents of information element (octets)								2
0	Type of number			Numbering plan identification				3
0	Number digits (IA5 characters) (Note)							4 etc.

Note – The number digits appear in multiple octet 4's in the same order in which they would be entered, that is, the number digit which would be entered first is located in the first octet 4.

Figure 7.11:

<i>Type of number (octet 3)</i>				
Bits				
7	6	5		
0	0	0	Unknown	
0	0	1	International number	
0	1	0	National number	
0	1	1	Network specific number	
1	0	0	Subscriber number	
1	1	0	Abbreviated number	
1	1	1	Reserved for extension	
All other values are reserved				
<i>Numbering plan identification (octet 3)</i>				
Bits				
4	3	2	1	
0	0	0	0	Unknown
0	0	0	1	ISDN/telephony numbering plan E.164
0	0	1	1	Data numbering plan Rec. X.121
0	1	0	0	Reserved
1	0	0	0	National standard numbering plan
1	0	0	1	Private numbering plan
All other values are reserved				

Table 7.8: Called party information element coding



### 7.4.6 Calling party number

The purpose of the Calling party number information element is to identify the origin of a call.

8	7	6	5	4	3	2	1	Octets
0	0	0	0	0	1	0	0	1
Length of contents of information element (octets)								2
0	Type of number			Numbering plan identification				3
0	Presentation indicator		0	0	0	Screening indicator		4
0	Number digits (IA5 characters)							5 etc.

Figure 7.12:

<i>Type of number (octet 3)</i>				
Bits				
7	6	5		
0	0	0	Unknown	
0	0	1	International number	
0	1	0	National number	
0	1	1	Network specific number	
1	0	0	Subscriber number	
1	1	0	Abbreviated number	
1	1	1	Reserved for extension	
All other values are reserved				
<i>Numbering plan identification (octet 3)</i>				
Bits				
4	3	2	1	
0	0	0	0	Unknown
0	0	0	1	ISDN/telephony numbering plan E.164
0	0	1	1	Data numbering plan Rec. X.121
0	1	0	0	Reserved
1	0	0	0	National standard numbering plan
1	0	0	1	Private numbering plan
All other values are reserved				
<i>Presentation indicator (octet 4)</i>				
Bits				
7	6			
0	0	Presentation allowed		
0	1	Presentation restricted		
1	0	Number not available due to interworking		
1	1	Reserved		
All other values are reserved				

Table 7.9: Calling party information element coding

Screening indicator (octet 4)		
Bits		
2	1	
0	0	User-provided, not screened
0	1	User-provided, verified and passed
1	0	User-provided, verified and failed
1	1	Network provided
All other values are reserved		

Table 7.9: Calling party information element coding

### 7.4.7 Cause

The purpose of the Cause is to indicate the remote side of the cause of the failure of the requested service.

8	7	6	5	4	3	2	1	Octets
1	1	0	0	0	0	0	1	1
Cause value								2

Figure 7.13:

Cause (octet 2)	
Bits	
8	7 6 5 4 3 2 1
0	These 7 bits are coded alike the Cause value subfield defined in Section 2.2.5 of ITU-T Recommendation Q.850[2].

Table 7.10: Cause information element coding

### 7.4.8 Clock offset

The purpose of the Clock offset information element is to indicate the Bluetooth clock offset used.

8	7	6	5	4	3	2	1	Octets
0	0	0	0	0	0	0	0	1
Length of contents of information element (octets)								2
Clock offset								3
								4

Figure 7.14:

Clock offset coding (octet 3 and 4)															
Bits (octet 3)								Bits (octet 4)							
8	7	6	5	4	3	2	1	8	7	6	5	4	3	2	1
0	Contains bits 16-2 of Bluetooth clock														

Table 7.11: Clock offset information element coding

### 7.4.9 Company specific

The purpose of the Company specific information element is to send non-standardized information.

8	7	6	5	4	3	2	1	Octets
0	0	0	0	0	1	1	1	1
Length of contents of information element (octets)								2
Company Identification								3
Company Identification								4
Company specific contents								L+2

Figure 7.15:

Company identification coding (octet 3 and octet 4)																
Bits (octet 3)								Bits (octet 4)								
8	7	6	5	4	3	2	1	8	7	6	5	4	3	2	1	
0	0	0	0	0	0	0	0	0	0	0	0	0	0	0	0	Ericsson
0	0	0	0	0	0	0	0	0	0	0	0	0	0	0	1	Nokia Mobile Phones
0	0	0	0	0	0	0	0	0	0	0	0	0	0	1	0	Intel Corporation
0	0	0	0	0	0	0	0	0	0	0	0	0	0	1	1	IBM Corporation
0	0	0	0	0	0	0	0	0	0	0	0	1	0	0	0	Toshiba Corporation
All other values are reserved																

Table 7.12: Company specific information element coding

### 7.4.10 Configuration data

The purpose of the Configuration data information element is to indicate the Configuration data.

8	7	6	5	4	3	2	1	Octets
0	0	0	0	0	0	0	1	1
Length of contents of information element (octets)								2
0	Internal number of WUG member 1 (IA5 characters)							3
0	Internal number of WUG member 1 (IA5 characters)							4
Bluetooth address of WUG member 1								5
								...
								10
Link key to be used towards WUG member 1								11
								..
								26
.....								
0	Internal number of WUG member n (IA5 character)							<b>3+((n-1)*24)</b>
0	Internal number of WUG member n (IA5 character)							<b>4+((n-1)*24)</b>
Bluetooth address of WUG member n								<b>5+((n-1)*24)</b>
								...
								<b>10+((n-1)*24)</b>
Link key to be used towards WUG member n								<b>11+((n-1)*24)</b>
								..
								<b>2+(n*24)</b>

Note – The internal number (2 digits) appears in octets 3 and 4 in the same order in which they would be entered; that is, the number digit which would be entered first is located in octet 3.

Note – The octets 3-26 are repeated for all *n* WUG members.

Figure 7.16:

### 7.4.11 Destination CID

The purpose of the Destination CID information element is to enable the remote side to associate the established L2CAP channel with the ongoing call. The Destination CID is identical to the Destination CID (DCID) exchanged in the Configuration Request packet (see [L2CAP, Section 5.4 on page 280](#)).

8	7	6	5	4	3	2	1	Octets
0	0	0	0	0	0	1	1	1
Length of contents of information element (octets)								2
DCID byte 1								3
DCID byte 0								4

Figure 7.17:

### 7.4.12 Keypad facility

The purpose of the Keypad facility information element is to convey IA5 characters; e.g. entered by means of a terminal keypad.

8	7	6	5	4	3	2	1	Octets
1	1	0	0	0	1	0	0	1
0	Keypad facility information (IA5 character)							2

Figure 7.18:

### 7.4.13 Progress indicator

The purpose of the Progress indicator information element is to describe an event that has occurred during the life of a call.

8	7	6	5	4	3	2	1	Octets
1	1	0	0	0	0	1	0	1
0	Progress description							2

Figure 7.19:

Progress information (octet 2)							
Bits							
7	6	5	4	3	2	1	
0	0	0	1	0	0	0	In-band information or appropriate pattern is now available
All other values reserved							

Table 7.13: Progress indicator information element coding

### 7.4.14 SCO Handle

The purpose of the SCO handle information element is to enable the remote side to associate the established SCO link with the ongoing call. The SCO handle is identical to the SCO handle exchanged in the LMP\_SCO\_link\_req sent by the piconet master (see [LMP, Section 3.21 on page 219](#)).

8	7	6	5	4	3	2	1	Octets
1	1	0	0	0	1	0	1	1
SCO handle value								2

Figure 7.20:

### 7.4.15 Sending complete

The purpose of the Sending complete information element is to optionally indicate completion of called party number.

8	7	6	5	4	3	2	1	Octet
1	0	1	0	0	0	0	1	1

Figure 7.21:

### 7.4.16 Signal

The purpose of the Signal information element is to convey information to a user regarding tones and alerting signals.

8	7	6	5	4	3	2	1	Octets
1	1	0	0	0	0	1	1	1
Signal value								2

Figure 7.22:

Signal value (octet 2)								
	Bits							
8	7	6	5	4	3	2	1	
0	1	0	0	0	0	0	0	External call
0	1	0	0	0	0	0	1	Internal call
0	1	0	0	0	0	1	0	Call back
0	X	X	X	X	X	X	X	Reserved for Bluetooth standardization
1	X	X	X	X	X	X	X	Company specific

Table 7.14: Signal information element coding

## 8 MESSAGE ERROR HANDLING<sup>1</sup>

---

### 8.1 PROTOCOL DISCRIMINATION ERROR

When a message is received with a protocol discriminator coded other than the ones defined in [Section 7.2 on page 472](#), that message shall be ignored.

### 8.2 MESSAGE TOO SHORT OR UNRECOGNIZED

When a message is received that is too short to contain a complete message type information element, that message shall be ignored.

When a message is received that contains a complete message type information element, but with a value which is not recognized as a defined message type, that message shall be ignored.

### 8.3 MESSAGE TYPE OR MESSAGE SEQUENCE ERRORS

Whenever an unexpected message, except RELEASE or RELEASE COMPLETE message is received in any state other than the Null state, that message shall be ignored.

When an unexpected RELEASE message is received, the receiving side shall disconnect and release the bearer channel if established, return a RELEASE COMPLETE message, stop all timers, and enter the Null state.

When an unexpected RELEASE COMPLETE message is received, the receiving side shall disconnect and release the bearer channel if established, stop all timers, and enter the Null state.

### 8.4 INFORMATION ELEMENT ERRORS

The information elements in a message shall appear (if present for information elements indicated as optional) in the exact order as indicated in Section 6.

When a message is received which misses a mandatory information element, or which contains a mandatory information element with invalid content, the message shall be ignored.

In case the error occurred with a mandatory information element in a SETUP message, a RELEASE COMPLETE message shall be returned, either with cause #96, *mandatory information element is missing*, or with cause #100, *invalid information element contents*.

---

1. In this section, when it is stated to ignore a certain message or part of a message (information element), this shall be interpreted as to do nothing – as if the (part of the) message had never been received.

When a message is received which has an unrecognized information element, or has an optional information element with an invalid content, or has a recognized information element not defined to be contained in that message, the receiving side shall ignore the information element.

Information elements with a length exceeding the maximum length (as given in [Section 7 on page 471](#)) shall be treated as an information element with invalid content.



## 9 PROTOCOL PARAMETERS

### 9.1 PROTOCOL TIMERS

Timer name	Value
T301	Minimum 3 minutes
T302	15 seconds
T303	20 seconds
T304	30 seconds
T305	30 seconds
T308	4 seconds
T310	30 –120 seconds
T313	4 seconds
T401	8 second
T402	8 seconds
T403	4 second
T404	2.5 seconds
T405	2 seconds
T406	20 seconds

Table 9.1: Timer values

---

## 10 REFERENCES

---

- [1] Q.931, "Digital Subscriber Signalling System No. 1(DSS 1) – ISDN User-Network interface Layer 3 Specification for Basic Call Control", 03/93
- [2] Q.850, "Digital Subscriber Signalling System No. 1 General – Usage of cause of location in the Digital Subscriber Signalling system No. 1 and the signalling system No. 7 ISDN User Part", 03/93

## 11 LIST OF FIGURES

Figure 1.1:	TCS within the Bluetooth stack .....	435
Figure 1.2:	Point-to-point signalling in a single-point configuration .....	436
Figure 1.3:	Signalling in a multi-point configuration.....	436
Figure 1.4:	TCS Architecture.....	437
Figure 2.1:	Call establishment message flow .....	445
Figure 2.2:	Call clearing message flow .....	448
Figure 3.1:	Obtain access rights message flow.....	451
Figure 3.2:	Configuration distribution message flow .....	452
Figure 3.3:	Fast inter-member access message flow.....	454
Figure 4.1:	Connectionless TCS message flow .....	455
Figure 5.1:	Calling line identity message flow .....	456
Figure 5.2:	DTMF start & stop message flow .....	457
Figure 7.1:	Protocol discriminator.....	472
Figure 7.2:	Message type.....	472
Figure 7.3:	Single octet information element format.....	474
Figure 7.4:	Double octet information element format .....	474
Figure 7.5:	Variable length information element format .....	474
Figure 7.6:	.....	476
Figure 7.7:	.....	476
Figure 7.8:	.....	477
Figure 7.9:	.....	477
Figure 7.10:	.....	479
Figure 7.11:	.....	480
Figure 7.12:	.....	481
Figure 7.13:	.....	482
Figure 7.14:	.....	482
Figure 7.15:	.....	483
Figure 7.16:	.....	484
Figure 7.17:	.....	485
Figure 7.18:	.....	485
Figure 7.19:	.....	485
Figure 7.20:	.....	486
Figure 7.21:	.....	486
Figure 7.22:	.....	486
Figure A:	Full TCS State Diagram.....	493
Figure B:	Lean TCS State Diagram.....	494

## 12 LIST OF TABLES

Table 6.1:	ALERTING message content.....	460
Table 6.2:	CALL PROCEEDING message content .....	460
Table 6.3:	CONNECT message content.....	461
Table 6.4:	CONNECT ACKNOWLEDGE message content .....	461
Table 6.5:	DISCONNECT message content.....	462
Table 6.6:	INFORMATION message content.....	462
Table 6.7:	PROGRESS message content .....	463
Table 6.8:	RELEASE message content.....	463
Table 6.9:	RELEASE COMPLETE message content .....	464
Table 6.10:	SETUP message content .....	464
Table 6.11:	SETUP ACKNOWLEDGE message content .....	465
Table 6.12:	Start DTMF message content.....	465
Table 6.13:	Start DTMF Acknowledge message content .....	466
Table 6.14:	Start DTMF Reject message content.....	466
Table 6.15:	Stop DTMF message content .....	466
Table 6.16:	Stop DTMF Acknowledge message content.....	467
Table 6.17:	ACCESS RIGHTS REQUEST message content.....	467
Table 6.18:	ACCESS RIGHTS ACCEPT message content.....	467
Table 6.19:	ACCESS RIGHTS REJECT message content .....	468
Table 6.20:	INFO SUGGEST message content .....	468
Table 6.21:	INFO ACCEPT message content .....	468
Table 6.22:	LISTEN REQUEST message content .....	469
Table 6.23:	LISTEN SUGGEST message content .....	469
Table 6.24:	LISTEN ACCEPT message content .....	469
Table 6.25:	LISTEN REJECT message content.....	470
Table 6.26:	CL INFO message content .....	470
Table 7.1:	General message format .....	471
Table 7.2:	Protocol discriminator .....	472
Table 7.3:	Message type .....	472
Table 7.4:	Information element identifier coding .....	474
Table 7.5:	Audio Control information element coding.....	476
Table 7.6:	Bearer capability information element coding.....	478
Table 7.7:	Call class information element coding .....	479
Table 7.8:	Called party information element coding .....	480
Table 7.9:	Calling party information element coding.....	481
Table 7.10:	Cause information element coding .....	482
Table 7.11:	Clock offset information element coding.....	483
Table 7.12:	Company specific information element coding .....	483
Table 7.13:	Progress indicator information element coding.....	485
Table 7.14:	Signal information element coding.....	486
Table 9.1:	Timer values .....	489

# APPENDIX 1 - TCS CALL STATES

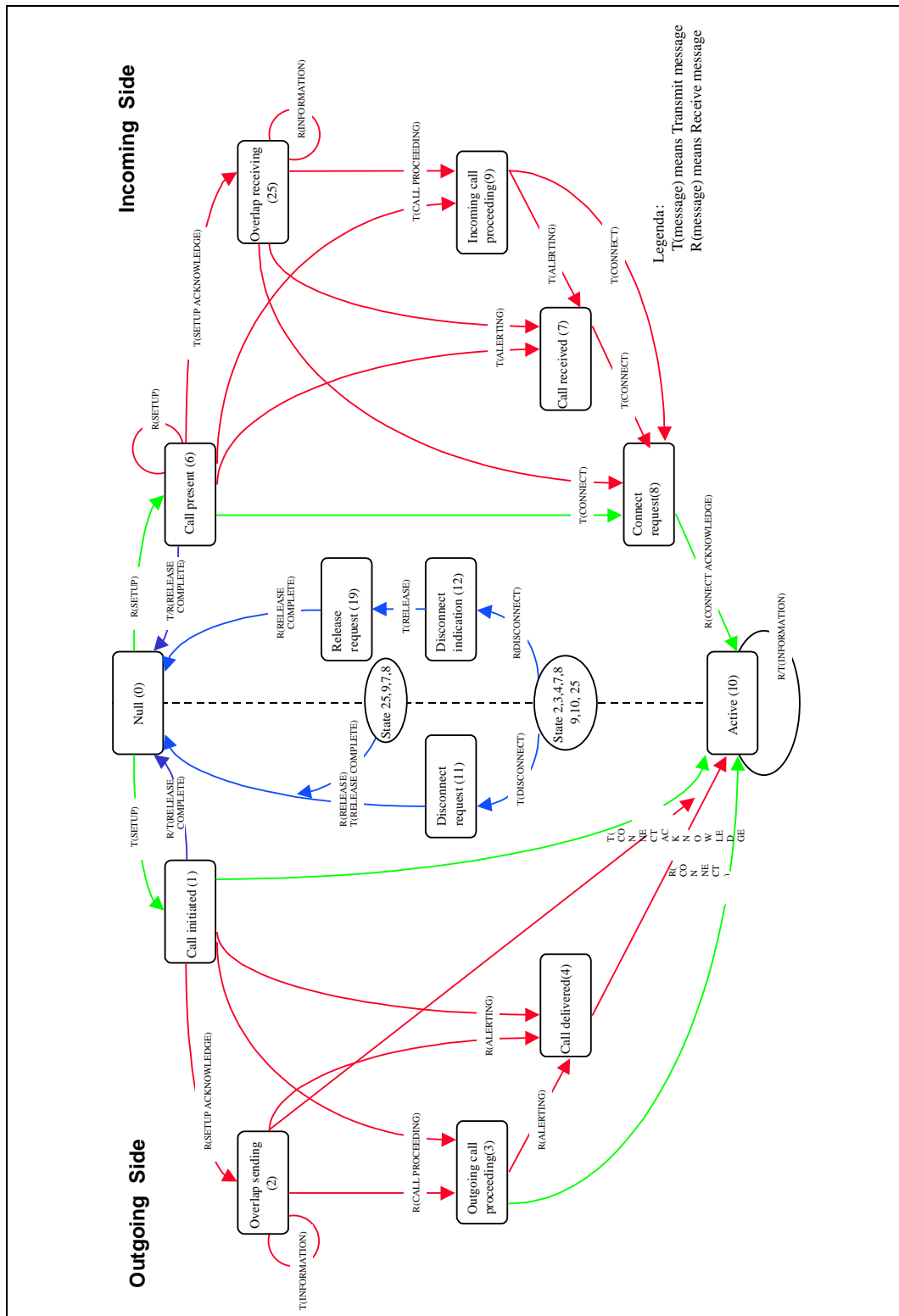


Figure A: Full TCS State Diagram

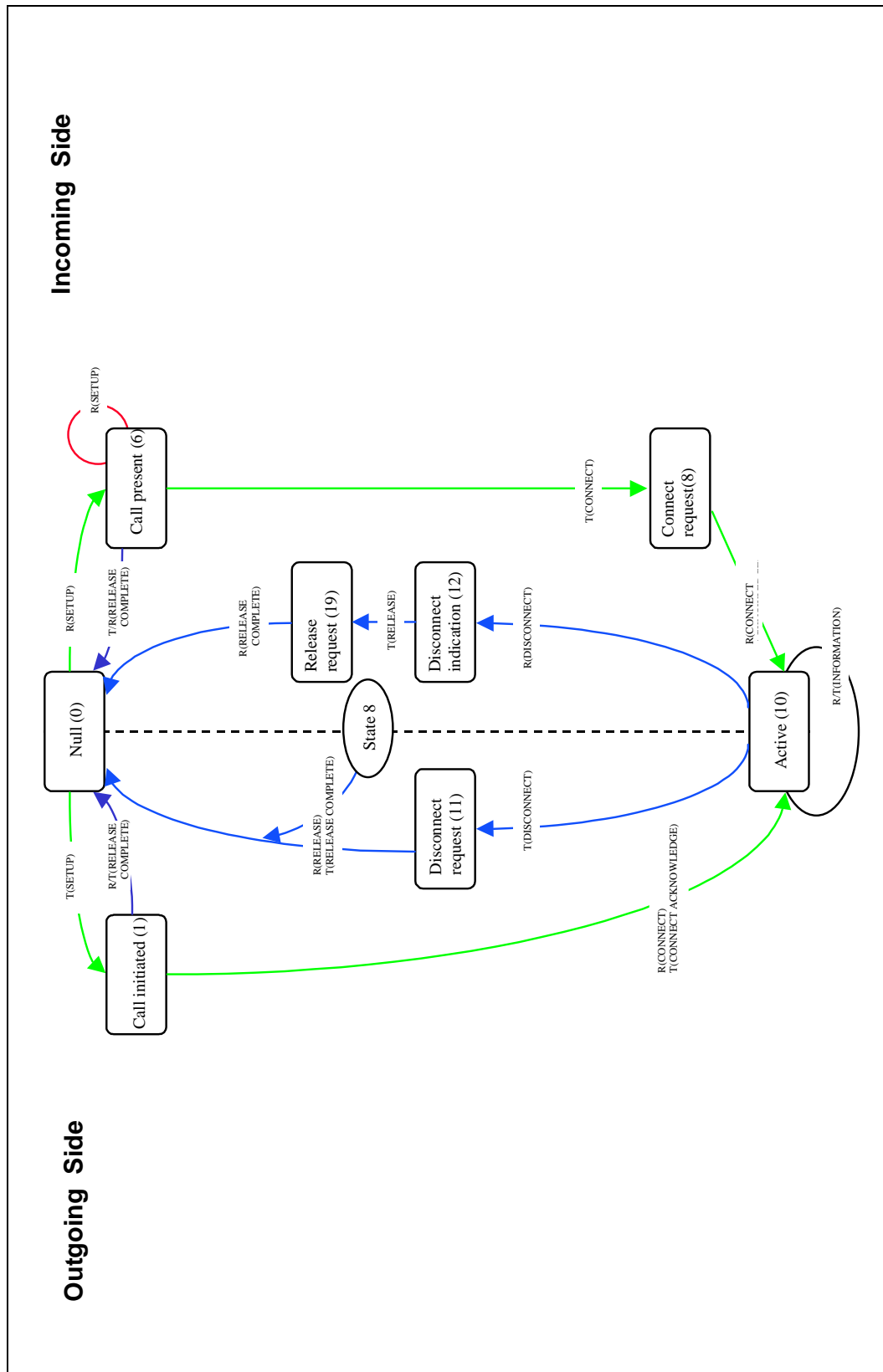


Figure B: Lean TCS State Diagram

## Part F:4

# **INTEROPERABILITY REQUIREMENTS FOR BLUETOOTH AS A WAP BEARER**

### **PPP Adaptation**

**Many of the characteristics of Bluetooth devices are shared with the target platforms for the Wireless Application Protocol. In some cases, the same device may be enabled for both types of communication. This document describes the interoperability requirements for using Bluetooth with PPP as the communications bearer for WAP protocols and applications.**





**CONTENTS**

<b>1</b>	<b>Introduction .....</b>	<b>499</b>
1.1	Document Scope .....	499
<b>2</b>	<b>The Use of WAP In the Bluetooth Environment .....</b>	<b>500</b>
2.1	Value-added Services .....	500
2.2	Usage Cases .....	500
2.2.1	Briefcase Trick.....	500
2.2.2	Forbidden Message.....	501
2.2.3	WAP Smart Kiosk.....	501
<b>3</b>	<b>WAP Services Overview .....</b>	<b>502</b>
3.1	WAP Entities .....	502
3.1.1	WAP Client .....	502
3.1.2	WAP Proxy/Gateway .....	503
3.1.3	WAP Server.....	503
3.2	WAP Protocols .....	503
3.2.1	Wireless Datagram Protocol (WDP).....	504
3.2.2	Wireless Transaction Protocol (WTP) .....	504
3.2.3	Wireless Transport Layer Security (WTLS).....	504
3.2.4	Wireless Session Protocol (WSP) .....	504
3.3	Contrasting WAP and Internet Protocols .....	504
3.3.1	UDP/WDP .....	504
3.3.2	WTP/TCP .....	505
3.3.3	WTLS/SSL.....	505
3.3.4	WSP/HTTP .....	505
3.3.5	WML/HTML .....	505
3.3.6	WMLScript/JavaScript.....	505

<b>4</b>	<b>WAP in the Bluetooth Piconet .....</b>	<b>506</b>
4.1	WAP Server Communications .....	506
4.1.1	Initiation by the Client Device.....	506
4.1.1.1	Discovery of Services .....	507
4.1.2	Termination by the Client Device.....	507
4.1.3	Initiation by the Server Device .....	507
4.1.3.1	Discovery of Services .....	508
4.2	Implementation of WAP for Bluetooth.....	508
4.2.1	WDP Management Entity.....	508
4.2.1.1	Asynchronous Notifications .....	508
4.2.1.2	Alternate Bearers.....	508
4.2.2	Addressing .....	509
4.3	Network Support for WAP .....	509
4.3.1	PPP/RFCOMM.....	509
<b>5</b>	<b>Interoperability Requirements .....</b>	<b>511</b>
5.1	Stage 1 – Basic Interoperability .....	511
5.2	Stage 2 – Advanced Interoperability .....	511
<b>6</b>	<b>Service Discovery .....</b>	<b>512</b>
6.1	SDP Service Records .....	512
6.2	SDP Protocol Data Units .....	514
6.3	Service discovery procedure .....	514
<b>7</b>	<b>References.....</b>	<b>515</b>

---

# 1 INTRODUCTION

---

## 1.1 DOCUMENT SCOPE

This document is intended for Bluetooth implementers who wish to take advantage of the dynamic, ad-hoc characteristics of the Bluetooth environment in providing access to value-added services using the WAP environment and protocols.

Bluetooth provides the physical medium and link control for communications between WAP client and server. This document describes how PPP may be used to achieve this communication.

The information contained in this document is not sufficient to allow the implementation of a general-purpose WAP client or server device. Instead, this document provides the following information:

- An overview of the use of WAP in the Bluetooth environment will explain how the concept of value-added services fits within the Bluetooth vision. Examples are given of how the WAP value-added services model can be used to fulfil specific Bluetooth usage models.
- The WAP Services Overview attempts to place the WAP environment in a familiar context. Each component of WAP is introduced, and is contrasted with equivalent Internet protocols (where applicable).
- A discussion of WAP in the Bluetooth Piconet describes how the particular structure of Bluetooth communications relates to WAP behaviors.
- Finally, the Interoperability Requirements describe the specific Bluetooth features that must be implemented in order to ensure interoperability between any two WAP enabled Bluetooth devices.

## 2 THE USE OF WAP IN THE BLUETOOTH ENVIRONMENT

### 2.1 VALUE-ADDED SERVICES

The presence of communications capabilities in a device is unlikely to be an end in itself. The end users are generally not as interested in the technology as in what the technology allows them to do.

Traditional telecommunications relies on voice communications as the single application of the technology, and this approach has been successful in the marketplace. As data communications services have become more widely available, there is increasing pressure to provide services that take advantage of those data capabilities.

The Wireless Application Protocol Forum was formed to create a standards-based framework, in which value-added data services can be deployed, ensuring some degree of interoperability.

### 2.2 USAGE CASES

The unique quality of Bluetooth, for the purposes of delivering value-added services, is the limited range of the communications link. Devices that incorporate Bluetooth are ideally suited for the receipt of location-dependent services. The following are examples of how the WAP client / server model can be applied to Bluetooth usage cases.

#### 2.2.1 Briefcase Trick



*Figure 2.1: The 'Briefcase Trick' Hidden Computing Scenario*

The Briefcase Trick usage case allows the user's laptop and mobile phone to communicate, without user intervention, in order to update the user's e-mail. The user can review the received messages from the handset, all without removing the laptop from its storage in a briefcase.

### 2.2.2 Forbidden Message



Figure 2.2: The 'Forbidden Message' Hidden Computing Scenario

The Forbidden Message usage case is similar to the briefcase trick. The user can compose messages in an environment where no dial-up connection is possible. At a later time the laptop wakes up, and checks the mobile phone to see if it is possible to send the pending messages. If the communications link is present, then the mail is transmitted.

### 2.2.3 WAP Smart Kiosk

The WAP Smart Kiosk usage case allows a user to connect a mobile PC or handheld device to communicate with a kiosk in a public location. The kiosk can provide information to the device that is specific to the user's location. For example, information on flights and gates in an airport, store locations in a shopping centre, or train schedules or destination information on a railway platform.

## 3 WAP SERVICES OVERVIEW

The Wireless Application Protocol is designed to provide Internet and Internet-like access to devices that are constrained in one or more ways. Limited communications bandwidth, memory, processing power, display capabilities and input devices are all factors driving the development of WAP. Although some devices may only exhibit some of the above constraints, WAP can still provide substantial benefit for those devices as well.

The WAP environment typically consists of three types of device: the WAP Client device, the WAP Proxy/gateway and WAP Server. In some cases the WAP Proxy/gateway may also include the server functionality.

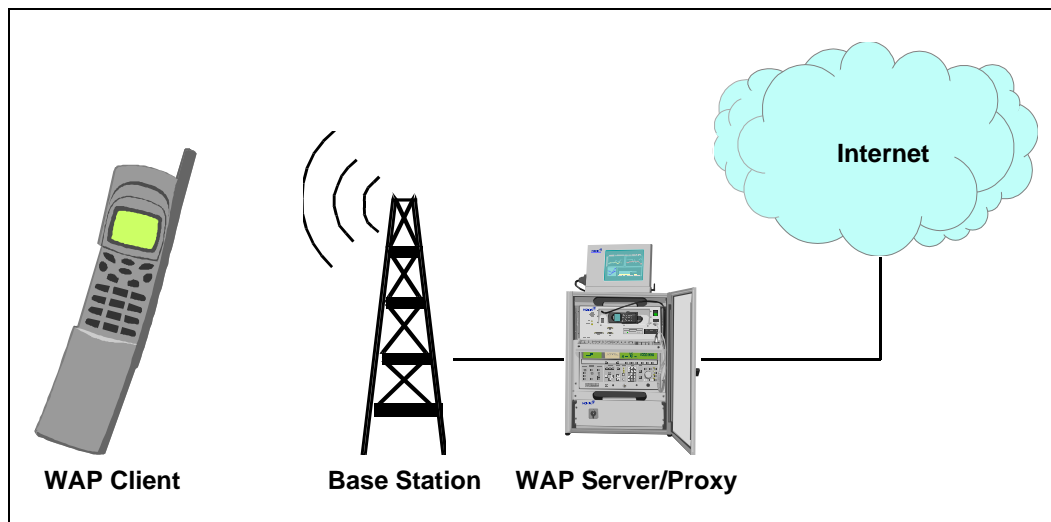


Figure 3.1: Typical WAP Environment

### 3.1 WAP ENTITIES

#### 3.1.1 WAP Client

The WAP Client device is usually found in the hands of the end user. This device can be as powerful as a portable computer, or as compact as a mobile phone. The essential feature of the client is the presence of some type of display and some type of input device.

The WAP Client is typically connected to a WAP Proxy/gateway through a wireless network. (Figure 3.2 on page 503) This network may be based on any available technology. The WAP protocols allow the network to exhibit low reliability and high latency without interruption in service.

### 3.1.2 WAP Proxy/Gateway

The WAP Proxy/gateway acts as an interface between the wireless network, and the larger Internet. The primary functions of the proxy are to provide DNS name resolution services to WAP client devices and translation of Internet protocols and content formats to their WAP equivalents.

### 3.1.3 WAP Server

The WAP Server performs a function that is similar to a server in the Internet world. In fact, the WAP server is often an HTTP server. The server exists as a storage location for information that the user can access. This 'content' may include text, graphics, and even scripts that allow the client device to perform processing on behalf of the server.

The WAP Server logic may exist on the same physical device as the Proxy/gateway, or it may reside anywhere in the network that is reachable from the Proxy/gateway.

The server may fill the role of an HTTP server, a WSP server, or both.

## 3.2 WAP PROTOCOLS

The WAP environment consists of a layered protocol stack that is used to isolate the user agents from the details of the communications network. [Figure 4.1 on page 506](#) illustrates the general architecture of the WAP protocol stack. Bluetooth will provide an additional data bearer service, appearing at the bottom of this diagram.

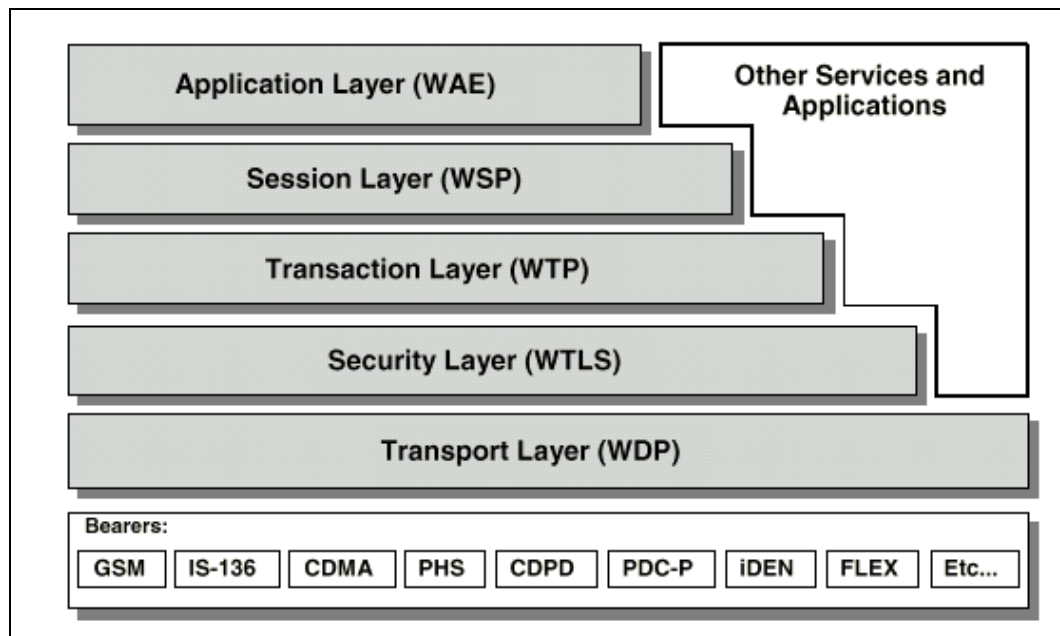


Figure 3.2: WAP Protocol Stack

### **3.2.1 Wireless Datagram Protocol (WDP)**

The WDP layer provides a service interface that behaves as a socket-based UDP implementation. For a bearer service based on IP, then this layer is UDP. For bearer which do not provide a UDP service interface, then an implementation of WDP must be provided to act as an adaptation layer to allow socket-based UDP datagrams over the native bearer.

### **3.2.2 Wireless Transaction Protocol (WTP)**

The WTP layer provides a reliable datagram service on top of the WDP (UDP) layer below.

### **3.2.3 Wireless Transport Layer Security (WTLS)**

The WTLS layer is an optional component of the protocol stack that provides a secure data pipe between a client WSP session and its peer server WSP session. In the current version of the WAP specification, this session will terminate at the WAP server. There is currently a proposal before the WAP Forum for a proxy protocol, which will allow the intermediate WAP proxy to pass WTLS traffic across the proxy/gateway without decrypting the data stream.

### **3.2.4 Wireless Session Protocol (WSP)**

The WSP layer establishes a relationship between the client application, and the WAP server. This session is relatively long-lived and able to survive service interruptions. The WSP uses the services of the WTP for reliable transport to the destination proxy/gateway.

## **3.3 CONTRASTING WAP AND INTERNET PROTOCOLS**

The intent and implementation of the WAP protocol stack has many parallels with those of the Internet Engineering Task Force (IETF). The primary objective of the WAP Forum has been to make Internet content available to devices that are constrained in ways that make Internet protocols unsuitable for deployment.

This section compares the roles of the WAP protocol stack's layers with those of the IETF.

### **3.3.1 UDP/WDP**

At the most basic layer, WAP and Internet protocols are the same. The WAP stack uses the model of a socket-based datagram (UDP) service as its transport interface.

Some Internet protocols also use the UDP service, but most actually use a connection-oriented stream protocol (TCP).



### **3.3.2 WTP/TCP**

The wireless transport protocol (WTP) provides services that, in some respects, fill the same requirements as TCP. The Internet Transmission Control Protocol (TCP) provides a reliable, connection-oriented, character-stream protocol that is based on IP services. In contrast, WTP provides both reliable and unreliable, one-way and reliable two-way message transports. The transport is optimized for WAP's 'short request, long response' dialogue characteristic. WTP also provides message concatenation to reduce the number of messages transferred.

### **3.3.3 WTLS/SSL**

The Wireless Transport Layer Security (WTLS) is derived from the Secure Sockets Layer (SSL) specification. As such, it performs the same authentication and encryption services as SSL.

### **3.3.4 WSP/HTTP**

Session services in WAP are provided by the Wireless Session Protocol (WSP). This protocol incorporates the semantics and functionality of HTTP 1.1, while adding support for long-lived sessions, data push, suspend and resume. Additionally, the protocol uses compact encoding methods to adapt to narrow-band communications channels.

### **3.3.5 WML/HTML**

The markup language used by WAP is a compact implementation that is similar to HTML, but optimized for use in hand-held devices. WML is an XML-defined markup language.

### **3.3.6 WMLScript/JavaScript**

WAP also incorporates a scripting language that is similar to JavaScript, but adapted to the types of constrained devices that WAP is targeted for.

## 4 WAP IN THE BLUETOOTH PICONET

In many ways, Bluetooth can be used like other wireless networks with regard to WAP. Bluetooth can be used to provide a bearer for transporting data between the WAP Client and its adjacent WAP Server.

Additionally, Bluetooth's *ad hoc* nature provides capabilities that are exploited uniquely by the WAP protocols.

### 4.1 WAP SERVER COMMUNICATIONS

The traditional form of WAP communications involves a client device that communicates with a Server/Proxy device using the WAP protocols. In this case the Bluetooth medium is expected to provide a bearer service as specified by the WAP architecture.

#### 4.1.1 Initiation by the Client Device

When a WAP client is actively 'listening' for available Bluetooth devices, it can discover the presence of a WAP server using Bluetooth's Service Discovery Protocol.

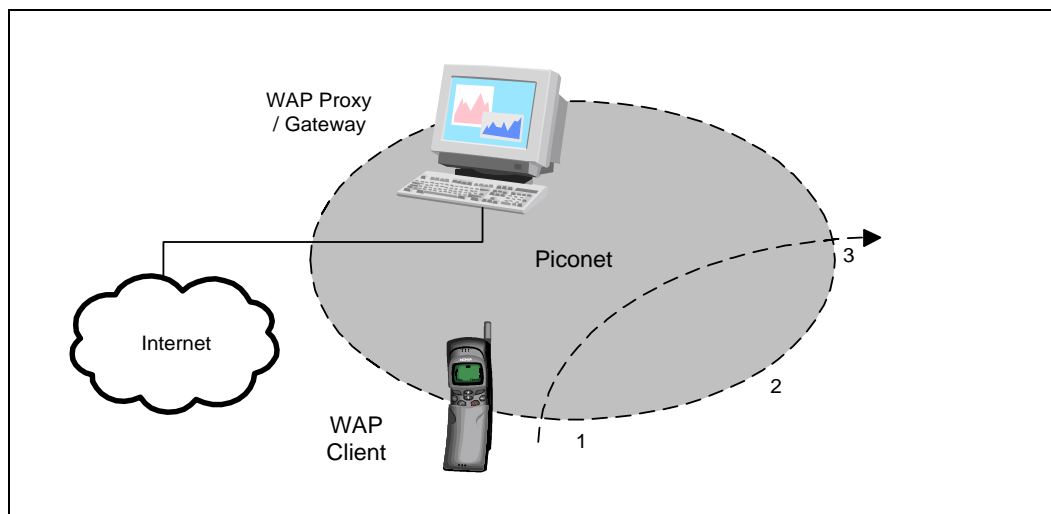


Figure 4.1: WAP Server / Proxy in Piconet

In [Figure 4.1](#), stage 1 the WAP Client device is moving into range of the WAP Proxy/gateway's piconet. When the client detects the presence of the WAP proxy/gateway, it can automatically, or at the client's request, connect to the server.

#### 4.1.1.1 Discovery of Services

The client must be able to determine the specific nature of the WAP proxy/gateway that it has detected. It is expected that the Bluetooth Service Discovery Protocol will be used to learn the following information about the server:

- Server Name – this is a user readable descriptive name for the server.
- Server Home Page Document Name – this is the home page URL for the server. This is optional.
- Server/Proxy Capability – indicates if the device is a WAP content server, a Proxy or both. If the device is a Proxy, it must be able to resolve URLs that are not local to the Server/Proxy device.

In [Figure 4.1](#), stage 2, the device is communicating with the WAP proxy/gateway. All WAP data services normally available are possible.

#### **4.1.2 Termination by the Client Device**

In [Figure 4.1](#), stage 3, the device is exiting the piconet. When the device detects that communication has been lost with the WAP proxy/gateway, it may optionally decide to resume communications using the information obtained at discovery.

For example, a client device that supports alternate bearers may query the alternate address information of the server when that capability is indicated. The information should be cached for later access because the client device may leave the piconet at any time, and that information will no longer be available.

In the WAP Smart Kiosk example above, if the user wishes to continue receiving information while out of Bluetooth range, the Kiosk would provide an Internet address to the client device. When Bluetooth communications are not possible, the device could use cellular packet data to resume the client-server session.

This capability is implementation-dependent, and is provided here for illustrative purposes only.

#### **4.1.3 Initiation by the Server Device**

An alternative method of initiating communications between a client and server is for the server to periodically check for available client devices. When the server device discovers a client that indicates that it has WAP Client capability, the server may optionally connect and push data to the client.

The client device has the option of ignoring pushed data at the end user's discretion.

#### 4.1.3.1 Discovery of Services

Through the Bluetooth Service Discovery Protocol, the server can determine the following information about the client:

- Client Name – this is a friendly format name that describes the client device
- Client capabilities – this information allows the server to determine basic information regarding the client's Bluetooth-specific capabilities

## **4.2 IMPLEMENTATION OF WAP FOR BLUETOOTH**

In order to effectively implement support for WAP over Bluetooth, certain capabilities must be considered.

### **4.2.1 WDP Management Entity**

Associated with an instance of the WDP layer in the WAP Protocol Stack is an entity that is responsible for managing the services provided by that layer. The WDP Management Entity (WDP-ME) acts as an out-of-band mechanism for controlling the protocol stack.

#### 4.2.1.1 Asynchronous Notifications

The WDP-ME will need to be able to generate asynchronous notifications to the application layer when certain events occur. Example notifications are:

- New Client Node Detected
- New Server Node Detected
- Client Node Signal Lost
- Server Node Signal Lost
- Server Push Detected (detected as unsolicited content)

Platform support for these events is implementation-specific. All of the listed events may be derived through the Bluetooth Host Controller Interface ([page 517](#)), with the exception of Server Push.

#### 4.2.1.2 Alternate Bearers

An implementation of WAP on a particular device may choose to support multiple bearers. Methods of performing bearer selection are beyond the scope of this document. The procedure to be followed is implementation-dependent. See [Section 4.1.2](#) above.

### **4.2.2 Addressing**

Two basic types of addressing are being used in the WAP environment: User Addressing and Proxy/gateway Addressing. User addressing describes the location of objects within the network, and is independent of the underlying bearer. Proxy/Gateway Addressing describes the location of the WAP proxy/gateway that the device is communicating with. Proxy/Gateway addressing is dependent on the bearer type.

The end user deals mainly with Uniform Resource Locators (URL). These addresses are text strings that describe the document that is being accessed. Typically, the Proxy/gateway in conjunction with Internet Domain Name.

Servers resolve these strings into network addresses.

The address of the WAP Proxy/gateway is usually a static value that is configured by the user or network operator. When the user enters a URL, the request is forwarded to the configured WAP proxy/gateway. If the URL is within the domain of a co-located server, then it indicates that the document is actually WAP content. If the URL is outside of the WAP proxy/gateway's domain, then the WAP Proxy/gateway typically uses DNS name resolution to determine the IP address of the server on which the document resides.

The client device would first identify a proxy/gateway that is reachable through Bluetooth, then it would use the service discovery protocol to present the user with a server name or description. When the user selects a server, then the WAP client downloads the home page of the server (as determined by the discovery process; see [section 4.1.1.1 on page 507](#)) Once the user has navigated to the home page of the desired server, then all subsequent URLs are relative to this home page. This scenario presumes that the WAP Proxy/gateway and WAP Content server are all co-located in the Bluetooth device, although this structure is not required for interoperability.

A WAP Proxy/gateway/Server will typically provide a default URL containing the home page content for the server. A proxy-only device typically provides no URL or associated content.

## **4.3 NETWORK SUPPORT FOR WAP**

The following specifies a protocol stack, which may be used below the WAP components. Support for other protocol stack configurations is optional, and must be indicated through the Bluetooth Service Discovery Protocol.

### **4.3.1 PPP/RFCOMM**

Devices that support Bluetooth as a bearer for WAP services using PPP provide the following protocol stack support:

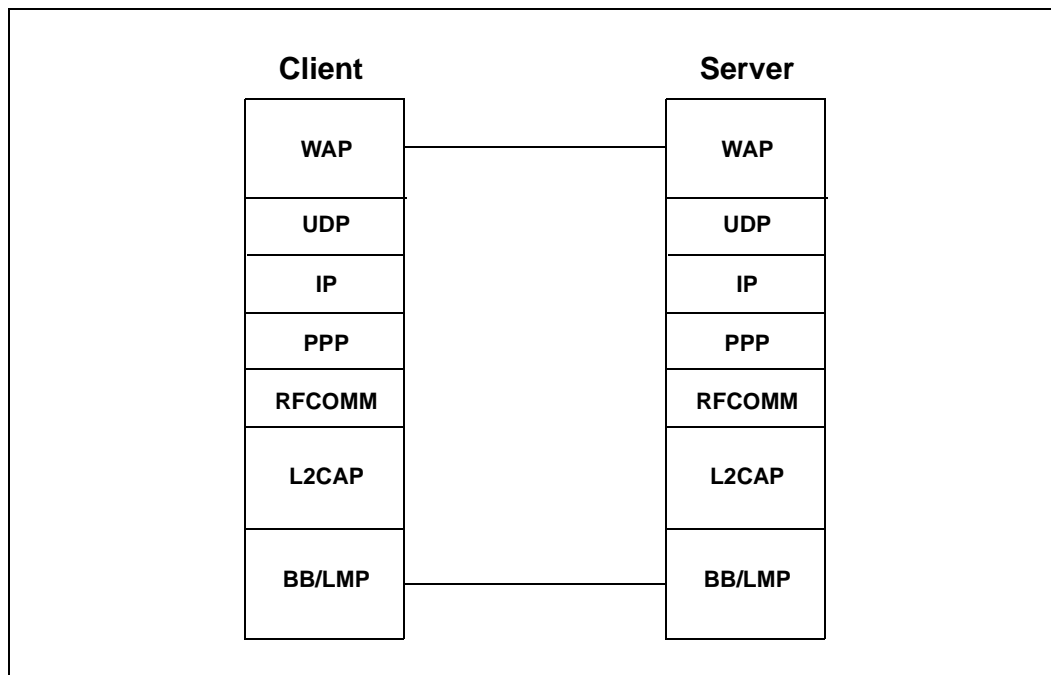


Figure 4.2: Protocol Support for WAP

For the purposes of interoperability, this document assumes that a WAP client conforms to the role of Data Terminal as defined in LAN Access Profile using PPP [6]. Additionally, the WAP server or proxy device is assumed to conform to the role of the LAN Access Point defined in [6].

The Baseband (page 33), LMP (page 185) and L2CAP (page 245) are the OSI layer 1 and 2 Bluetooth protocols. RFCOMM (page 385) is the Bluetooth adaptation of GSM TS 07.10 [1]. SDP (page 323) is the Bluetooth Service Discovery Protocol.

PPP is the IETF Point-to-Point Protocol [3]. WAP is the Wireless Application Protocol stack and application environment [5].

---

## **5 INTEROPERABILITY REQUIREMENTS**

---

### **5.1 STAGE 1 – BASIC INTEROPERABILITY**

Stage 1 interoperability for WAP over Bluetooth (all mandatory):

- Provide WAP Class A device compliance [7]
- Provide, through service discovery mechanisms, the network address for devices that support WAP proxy/gateway functionality.

### **5.2 STAGE 2 – ADVANCED INTEROPERABILITY**

Stage 2 interoperability for WAP over Bluetooth (mandatory):

- All Stage 1 interoperability requirements are supported
- Provide Server Name and information about Server/Proxy capabilities through service discovery.
- Provide Client Name and information about Client Capabilities through service discovery.
- Asynchronous Notifications for Server.
- Asynchronous Notifications for Client.

## 6 SERVICE DISCOVERY

### 6.1 SDP SERVICE RECORDS

Service records are provided as a mechanism through which WAP client devices and proxy/gateways become aware of each other dynamically. This usage differs from other WAP bearers in that the relationship between the two devices will be transitory. That is, a Bluetooth device will not have a bearer-specific address configured or provisioned to a specific proxy/gateway.

Clients and proxy/gateways become aware of each other as they come in proximity of one another. The Bluetooth Service Discovery Protocol allows the devices to query the capabilities of each other as listed in the Interoperability Requirements section of this document.

Table 6.1 shows the service record for the WAP Proxy/gateway device.

Item	Definition	Type	Value	AttrID	Req
ServiceClassIDList				0x0001	M
ServiceClass0	WAP Proxy/Gateway	UUID	WAP		M
BluetoothProfile DescriptorList					M
ProfileDescriptor0				0x0009	M
Profile	Supported Profile	UUID	LANAccess UsingPPP [4]		M
Version	Profile Version	Uint16	(varies)		M
Protocol DescriptorList					O
Descriptor0	UDP	UUID	UDP		O
Parameter0	WSP Connectionless Session Port No.	Uint16	9200 (default)		O
Parameter1	WTP Session Port No.	Uint16	9201 (default)		O
Parameter2	WSP Secure Connectionless Port No.	Uint16	9202 (default)		O
Parameter3	WTP Secure Session Port No.	Uint16	9203 (default)		O
Parameter4	WAP vCard Port No.	Uint16	9204 (default)		O
Parameter5	WAP vCal Port No.	Uint16	9205 (default)		O
Parameter6	WAP vCard Secure Port No.	Uint16	9206 (default)		O
Parameter7	WAP vCal Secure Port No.	Uint16	9207 (default)		O

Table 6.1: Service Record format for WAP Proxy/Gateway devices



Item	Definition	Type	Value	AttrID	Req
ServiceName	Displayable Text name	String	(varies, e.g. 'Airport information')		
NetworkAddress	IP Network Address of Server	UInt32	(varies)		M
WAPGateway*	Indicates if device is origin server or proxy	UInt8	0x01 = Origin Server; 0x02 = Proxy; 0x03 = Origin Server and Proxy		M
HomePageURL	URL of home page document	URL			C1†

Table 6.1: Service Record format for WAP Proxy/Gateway devices

\*. Stage 2 interoperability requirements.

†. If this parameter is omitted, then a default is assumed for origin servers as:  
<http://networkaddress/index.wml>

Item	Definition	Type	Value	AttrID	Req
ServiceClassIDList				0x0001	M
ServiceClass0	WAP Client	UUID	WAP_CLIENT		M
BluetoothProfile DescriptorList					M
ProfileDescriptor0				0x0009	M
Profile	Supported Profile	UUID	LANAccess UsingPPP [4]		M
Version	Profile Version	UInt16	(varies)		M
ServiceName	Displayable Text name of client	String	(varies)		O

Table 6.2: Service Record format for WAP Client devices

## 6.2 SDP PROTOCOL DATA UNITS

Table 6.3 shows the specified SDP PDUs (Protocol Data Units), which are required for WAP Interoperability.

PDU No.	SDP PDU	Ability to Send		Ability to Retrieve	
		WAP Client	WAP Proxy	WAP Client	WAP Proxy
1	SdpErrorResponse	M	M	M	M
2	SdpServiceSearchAttributeRequest	M	O	M	M
3	SdpServiceSearchAttributeResponse	M	M	M	M

Table 6.3: SDP PDU:s

## 6.3 SERVICE DISCOVERY PROCEDURE

In the simplest form, the signaling can be like this:

WAP Client or Proxy		WAP Client or Proxy
	SdpServiceSearchAttributeRequest =====>	
	SdpServiceSearchAttributeResponse <=====	

WAP service discovery procedures are symmetrical. Each device must be able to handle all of the PDUs without regard for the current device role. A minimal implementation must return the service name string.

## 7 REFERENCES

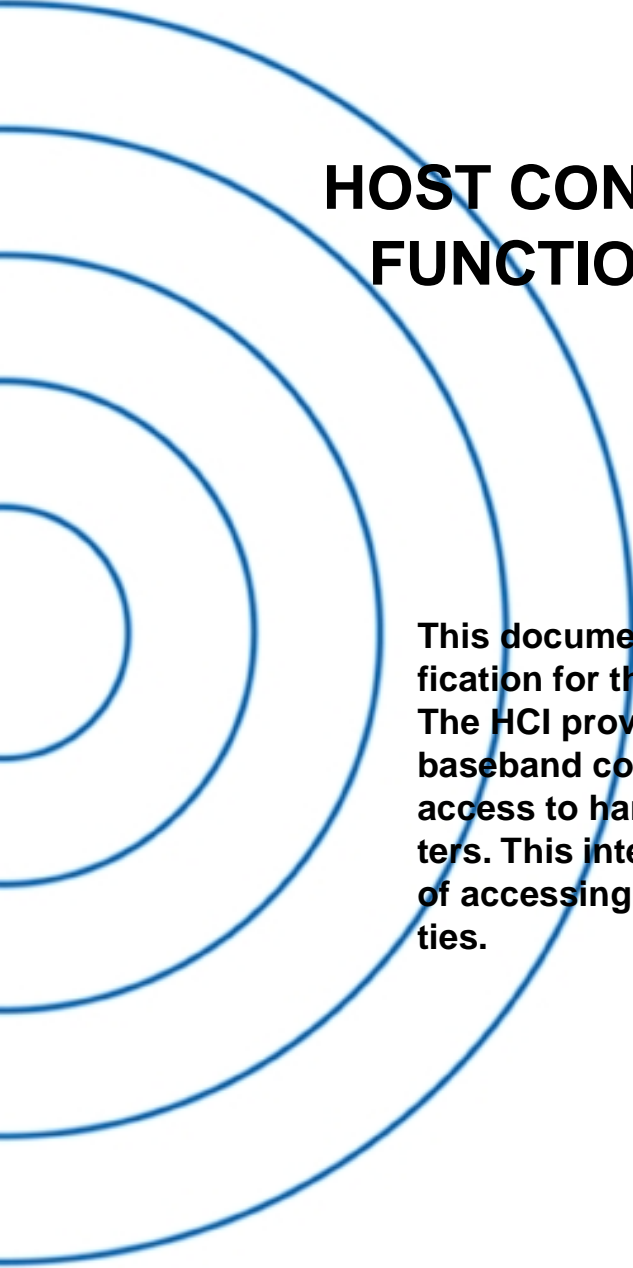
---

- [1] TS 101 369 (GSM 07.10) version 6.2.0
- [2] Simpson, W., Editor, "The Point-to-Point Protocol (PPP)", STD 50, RFC 1661, Daydreamer, July 1994.
- [3] Simpson, W., Editor, "PPP in HDLC Framing", STD 51, RFC 1662, Daydreamer, July 1994.
- [4] See Appendix VIII, "[Bluetooth Assigned Numbers](#)" on page 1009
- [5] Wireless Application Protocol Forum, "Wireless Application Protocol", version 1.0, 1998
- [6] Bluetooth Special Interest Group, "Bluetooth LAN Access Profile using PPP"
- [7] Wireless Application Protocol Forum, "WAP Conformance", Draft version 27 May 1998



## Part H:1

# HOST CONTROLLER INTERFACE FUNCTIONAL SPECIFICATION



**This document describes the functional specification for the Host Controller Interface (HCI). The HCI provides a command interface to the baseband controller and link manager, and access to hardware status and control registers. This interface provides a uniform method of accessing the Bluetooth baseband capabilities.**



**CONTENTS**

<b>1</b>	<b>Introduction .....</b>	<b>524</b>
1.1	Lower Layers of the Bluetooth Software Stack .....	524
1.2	Bluetooth Hardware Block Diagram .....	525
1.2.1	Link Controller .....	526
1.2.2	CPU Core .....	526
1.3	Possible Physical Bus Architectures .....	527
1.3.1	USB HCI Architecture.....	527
1.3.2	PC Card HCI Architecture .....	527
<b>2</b>	<b>Overview of Host Controller Transport Layer.....</b>	<b>528</b>
<b>3</b>	<b>HCI Flow Control .....</b>	<b>529</b>
<b>4</b>	<b>HCI Commands.....</b>	<b>531</b>
4.1	Introduction .....	531
4.2	Terminology.....	531
4.3	Data and Parameter Formats.....	532
4.4	Exchange of HCI-Specific Information .....	532
4.4.1	HCI Command Packet.....	532
4.4.2	HCI Event Packet.....	535
4.4.3	HCI Data Packets.....	536
4.5	Link Control Commands.....	540
4.5.1	Inquiry.....	542
4.5.2	Inquiry_Cancel .....	544
4.5.3	Periodic_Inquiry_Mode.....	545
4.5.4	Exit_Periodic_Inquiry_Mode.....	548
4.5.5	Create_Connection .....	549
4.5.6	Disconnect.....	552
4.5.7	Add_SCO_Connection .....	553
4.5.8	Accept_Connection_Request.....	555
4.5.9	Reject_Connection_Request.....	557
4.5.10	Link_Key_Request_Reply .....	558
4.5.11	Link_Key_Request_Negative_Reply .....	560
4.5.12	PIN_Code_Request_Reply .....	561
4.5.13	PIN_Code_Request_Negative_Reply.....	563
4.5.14	Change_Connection_Packet_Type.....	564
4.5.15	Authentication_Requested .....	567
4.5.16	Set_Connection_Encryption.....	568
4.5.17	Change_Connection_Link_Key .....	569
4.5.18	Master_Link_Key.....	570

- 4.5.19 Remote\_Name\_Request..... 571
- 4.5.20 Read\_Remote\_Supported\_Features ..... 573
- 4.5.21 Read\_Remote\_Version\_Information..... 574
- 4.5.22 Read\_Clock\_Offset..... 575
- 4.6 Link Policy Commands ..... 576
  - 4.6.1 Hold\_Mode..... 578
  - 4.6.2 Sniff\_Mode ..... 580
  - 4.6.3 Exit\_Sniff\_Mode ..... 582
  - 4.6.4 Park\_Mode..... 583
  - 4.6.5 Exit\_Park\_Mode..... 585
  - 4.6.6 QoS\_Setup ..... 586
  - 4.6.7 Role\_Discovery..... 588
  - 4.6.8 Switch\_Role ..... 589
  - 4.6.9 Read\_Link\_Policy\_Settings ..... 590
  - 4.6.10 Write\_Link\_Policy\_Settings..... 592
- 4.7 Host Controller & Baseband Commands..... 594
  - 4.7.1 Set\_Event\_Mask..... 600
  - 4.7.2 Reset..... 602
  - 4.7.3 Set\_Event\_Filter ..... 603
  - 4.7.4 Flush ..... 609
  - 4.7.5 Read\_PIN\_Type..... 611
  - 4.7.6 Write\_PIN\_Type ..... 612
  - 4.7.7 Create\_New\_Unit\_Key..... 613
  - 4.7.8 Read\_Stored\_Link\_Key ..... 614
  - 4.7.9 Write\_Stored\_Link\_Key ..... 616
  - 4.7.10 Delete\_Stored\_Link\_Key ..... 618
  - 4.7.11 Change\_Local\_Name ..... 620
  - 4.7.12 Read\_Local\_Name ..... 621
  - 4.7.13 Read\_Connection\_Accept\_Timeout ..... 622
  - 4.7.14 Write\_Connection\_Accept\_Timeout..... 623
  - 4.7.15 Read\_Page\_Timeout ..... 624
  - 4.7.16 Write\_Page\_Timeout..... 625
  - 4.7.17 Read\_Scan\_Enable ..... 626
  - 4.7.18 Write\_Scan\_Enable ..... 627
  - 4.7.19 Read\_Page\_Scan\_Activity..... 628
  - 4.7.20 Write\_Page\_Scan\_Activity..... 630
  - 4.7.21 Read\_Inquiry\_Scan\_Activity ..... 632
  - 4.7.22 Write\_Inquiry\_Scan\_Activity ..... 634



4.7.23	Read_Authentication_Enable.....	636
4.7.24	Write_Authentication_Enable.....	637
4.7.25	Read_Encryption_Mode.....	638
4.7.26	Write_Encryption_Mode.....	639
4.7.27	Read_Class_of_Device.....	641
4.7.28	Write_Class_of_Device.....	642
4.7.29	Read_Voice_Setting.....	643
4.7.30	Write_Voice_Setting.....	645
4.7.31	Read_Automatic_Flush_Timeout.....	647
4.7.32	Write_Automatic_Flush_Timeout.....	649
4.7.33	Read_Num_Broadcast_Retransmissions.....	651
4.7.34	Write_Num_Broadcast_Retransmissions.....	652
4.7.35	Read_Hold_Mode_Activity.....	653
4.7.36	Write_Hold_Mode_Activity.....	655
4.7.37	Read_Transmit_Power_Level.....	656
4.7.38	Read_SCO_Flow_Control_Enable.....	658
4.7.39	Write_SCO_Flow_Control_Enable.....	659
4.7.40	Set_Host_Controller_To_Host_Flow_Control.....	660
4.7.41	Host_Buffer_Size.....	661
4.7.42	Host_Number_Of_Completed_Packets.....	663
4.7.43	Read_Link_Supervision_Timeout.....	665
4.7.44	Write_Link_Supervision_Timeout.....	667
4.7.45	Read_Number_Of_Supported_IAC.....	669
4.7.46	Read_Current_IAC_LAP.....	670
4.7.47	Write_Current_IAC_LAP.....	671
4.7.48	Read_Page_Scan_Period_Mode.....	673
4.7.49	Write_Page_Scan_Period_Mode.....	675
4.7.50	Read_Page_Scan_Mode.....	676
4.7.51	Write_Page_Scan_Mode.....	677
4.8	Informational Parameters.....	678
4.8.1	Read_Local_Version_Information.....	679
4.8.2	Read_Local_Supported_Features.....	681
4.8.3	Read_Buffer_Size.....	682
4.8.4	Read_Country_Code.....	684
4.8.5	Read_BD_ADDR.....	685
4.9	Status Parameters.....	686
4.9.1	Read_Failed_Contact_Counter.....	687
4.9.2	Reset_Failed_Contact_Counter.....	689

4.9.3	Get_Link_Quality .....	691
4.9.4	Read_RSSI .....	693
4.10	Testing Commands .....	695
4.10.1	Read_Loopback_Mode .....	696
4.10.2	Write_Loopback_Mode .....	699
4.10.3	Enable_Device_Under_Test_Mode.....	702
<b>5</b>	<b>Events .....</b>	<b>703</b>
5.1	Event.....	703
5.2	Possible Events .....	706
5.2.1	Inquiry Complete event .....	706
5.2.2	Inquiry Result event .....	707
5.2.3	Connection Complete event.....	709
5.2.4	Connection Request event.....	711
5.2.5	Disconnection Complete event .....	712
5.2.6	Authentication Complete event .....	713
5.2.7	Remote Name Request Complete event .....	714
5.2.8	Encryption Change event.....	715
5.2.9	Change Connection Link Key Complete event .....	716
5.2.10	Master Link Key Complete event .....	717
5.2.11	Read Remote Supported Features Complete event...	718
5.2.12	Read Remote Version Information Complete event....	719
5.2.13	QoS Setup Complete event .....	721
5.2.14	Command Complete event .....	723
5.2.15	Command Status event.....	724
5.2.16	Hardware Error event.....	725
5.2.17	Flush Occurred event.....	726
5.2.18	Role Change event .....	727
5.2.19	Number Of Completed Packets event.....	728
5.2.20	Mode Change event.....	730
5.2.21	Return Link Keys event.....	732
5.2.22	PIN Code Request event .....	733
5.2.23	Link Key Request event .....	734
5.2.24	Link Key Notification event.....	735
5.2.25	Loopback Command event .....	736
5.2.26	Data Buffer Overflow event.....	737
5.2.27	Max Slots Change event.....	738
5.2.28	Read Clock Offset Complete event.....	739
5.2.29	Connection Packet Type Changed event.....	740

5.2.30	QoS Violation event.....	742
5.2.31	Page Scan Mode Change event .....	743
5.2.32	Page Scan Repetition Mode Change event .....	744
<b>6</b>	<b>List of Error Codes.....</b>	<b>745</b>
6.1	List of Error Codes .....	745
6.2	HCI Error Code Usage Descriptions .....	747
6.3	Unknown HCI Command (0x01) .....	747
6.4	No Connection (0x02) .....	748
6.5	Hardware Failure (0x03) .....	748
6.6	Page Timeout (0x04).....	748
6.7	Authentication Failed (0x05) .....	748
6.8	Key Missing (0x06).....	748
6.9	Memory Full (0x07) .....	749
6.10	Connection Timeout (0x08).....	749
6.11	Max Number Of Connections (0x09).....	749
6.12	Max Number Of SCO Connections To A Device (0x0A) .....	750
6.13	ACL Connection Already Exists (0x0B).....	750
6.14	Command Disallowed (0x0C) .....	750
6.15	Host Rejected due to ... (0x0D-0x0F).....	750
6.16	Host Timeout (0x10).....	751
6.17	Unsupported Feature or Parameter Value (0x11) .....	751
6.18	Invalid HCI Command Parameters (0x12) .....	751
6.19	Other End Terminated Connection: ... (0x13-0x15).....	752
6.20	Connection Terminated By Local Host (0x16).....	752
6.21	Repeated Attempts (0x17) .....	752
6.22	Pairing Not Allowed (0x18).....	753
6.23	Unsupported Remote Feature (0x1A).....	753
6.24	Unspecified error (0x1F) .....	753
6.25	Unsupported LMP Parameter Value (0x20) .....	753
6.26	Role Change Not Allowed (0x21).....	753
6.27	LMP Response Timeout (0x22) .....	754
6.28	LMP Error Transaction Collision (0x23).....	754
6.29	LMP PDU Not Allowed (0x24) .....	754
<b>7</b>	<b>List of Acronyms and Abbreviations.....</b>	<b>755</b>
<b>8</b>	<b>List of Figures.....</b>	<b>756</b>
<b>9</b>	<b>List of Tables .....</b>	<b>757</b>

# 1 INTRODUCTION

This document describes the functional specifications for the Host Controller Interface (HCI). The HCI provides a uniform interface method of accessing the Bluetooth hardware capabilities. The next two sections provide a brief overview of the lower layers of the Bluetooth software stack and of the Bluetooth hardware. Section 2, provides an overview of the Lower HCI Device Driver Interface on the host device. Section 3, describes the flow control used between the Host and the Host Controller. Section 4, describes each of the HCI Commands in details, identifies parameters for each of the commands, and lists events associated with each command.

## 1.1 LOWER LAYERS OF THE BLUETOOTH SOFTWARE STACK

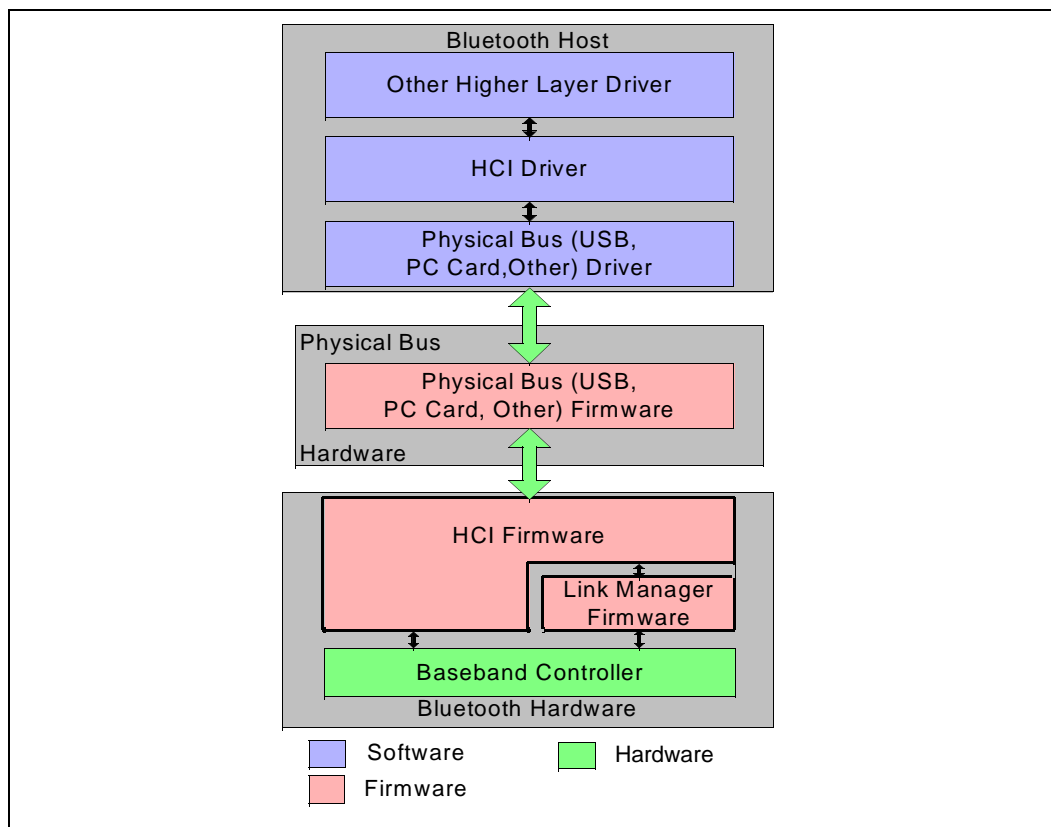


Figure 1.1: Overview of the Lower Software Layers

Figure 1.1, provides an overview of the lower software layers. The HCI firmware implements the HCI Commands for the Bluetooth hardware by accessing baseband commands link manager commands, hardware status registers, control registers, and event registers.

Several layers may exist between the HCI driver on the host system and the HCI firmware in the Bluetooth hardware. These intermediate layers, the Host Controller Transport Layer, provide the ability to transfer data without intimate knowledge of the data.

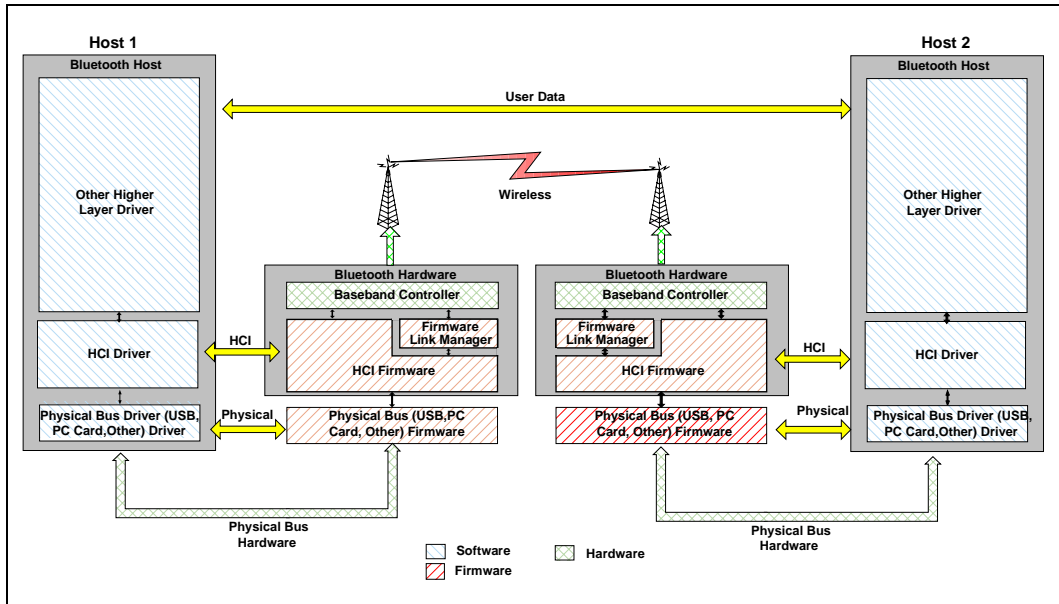


Figure 1.2: End to End Overview of Lower Software Layers to Transfer Data

Figure 1.2, illustrates the path of a data transfer from one device to another. The HCI driver on the Host exchanges data and commands with the HCI firmware on the Bluetooth hardware. The Host Control Transport Layer (i.e. physical bus) driver provides both HCI layers with the ability to exchange information with each other.

The Host will receive asynchronous notifications of HCI events independent of which Host Controller Transport Layer is used. HCI events are used for notifying the Host when something occurs. When the Host discovers that an event has occurred it will then parse the received event packet to determine which event occurred.

## 1.2 BLUETOOTH HARDWARE BLOCK DIAGRAM

A general overview of the Bluetooth hardware is outlined in Figure 1.3 on page 526. It consists of an analog part – the Bluetooth radio, and a digital part – the Host Controller. The Host Controller has a hardware digital signal processing part –the Link Controller (LC), a CPU core, and it interfaces to the host environment. The hardware and software parts of the Host Controller are described below.

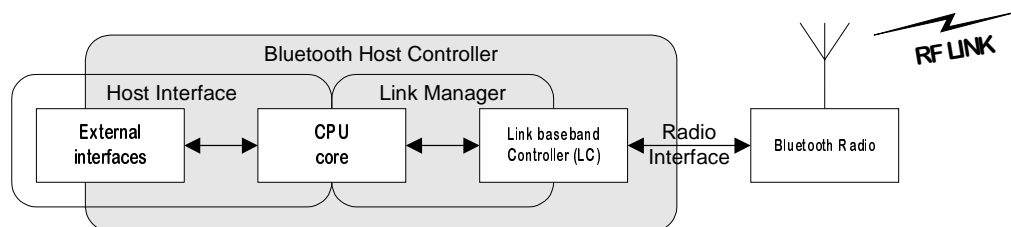


Figure 1.3: Bluetooth Hardware Architecture Overview.

### 1.2.1 Link Controller

The Link Controller (LC) consists of hardware and software parts that perform Bluetooth baseband processing, and physical layer protocols such as ARQ-protocol and FEC coding.

The functions performed by the Link Controller include:

- Transfer types with selected Quality-of-Service (QoS) parameters
- Asynchronous transfers with guaranteed delivery using hardware fast Automatic Repeat reQuest (fARQ). Frames can be flushed from the retransmission buffer, for use with isochronous data
- Synchronous transfers
- Audio coding. A power-efficient hardware implementation of a robust 64 Kbits/s Continuous Variable Slope Delta (CVSD) coding, as well as 64 Kbits/s log-PCM
- Encryption

### 1.2.2 CPU Core

The CPU core will allow the Bluetooth module to handle Inquiries and filter Page requests without involving the host device. The Host Controller can be programmed to answer certain Page messages and authenticate remote links.

The Link Manager (LM) software runs on the CPU Core. The LM discovers other remote LMs and communicates with them via the Link Manager Protocol (LMP) to perform its service provider role using the services of the underlying Link Controller (LC). For details see [“Link Manager Protocol” on page 185](#)

### 1.3 POSSIBLE PHYSICAL BUS ARCHITECTURES

Bluetooth devices will have various physical bus interfaces that could be used to connect to the Bluetooth hardware. These buses may have different architectures and different parameters. The Bluetooth Host Controller will initially support two physical bus architectures, USB, and PC Card.

#### 1.3.1 USB HCI Architecture

The following block diagram shows the Bluetooth connection to the Host PC via the USB HCI. USB can handle several logic channels over the same single physical channel (via Endpoints). Therefore control, data, and voice channels do not require any additional physical interfaces. Note that there is no direct access to registers/memory on the Bluetooth module over USB. Instead, this is done by using the appropriate HCI Commands and by using the Host Controller Transport Layer interface.

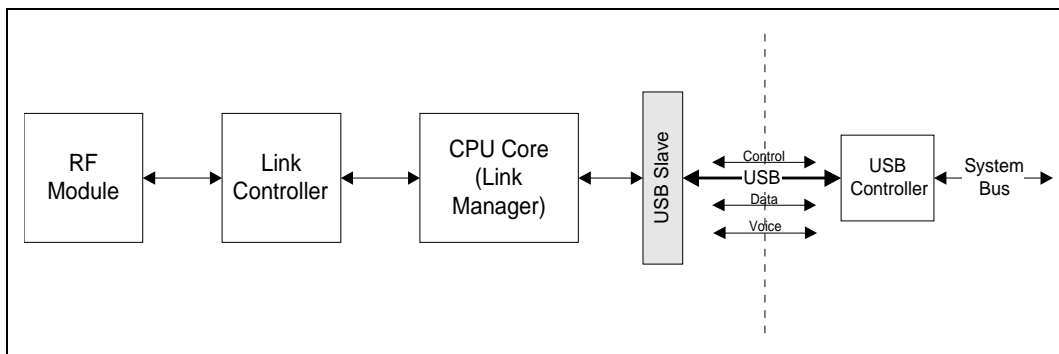


Figure 1.4: Bluetooth Block Diagram with USB HCI

#### 1.3.2 PC Card HCI Architecture

Besides the USB interface, derivatives of the ISA bus (Compact Flash/PC Card interfaces) are an option for an integrated PC solution. Unlike USB, all traffic between the Host and the Bluetooth module will go across the PC Card bus interface. Communications between the host PC and the Bluetooth module will be primarily done directly via registers/memory. The following block diagram shows the data flow for a PC-Card HCI.

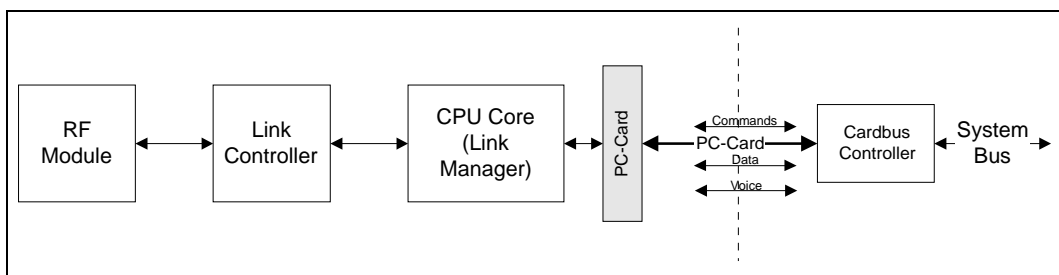


Figure 1.5: Bluetooth Block Diagram with PC-Card HCI

---

## 2 OVERVIEW OF HOST CONTROLLER TRANSPORT LAYER

---

The host driver stack has a transport layer between the Host Controller driver and the Host Controller. On a laptop, this transport layer might be PC Card or Universal Serial Bus (USB).

The main goal of this transport layer is transparency. The Host Controller driver (which talks to the Host Controller) should not care whether it is running over USB or a PC Card. Nor should USB or PC Card require any visibility into the data that the Host Controller driver passes to the Host Controller. This allows the interface (HCI) or the Host Controller to be upgraded without affecting the transport layer.

The Host Controller Transport Layer is described in separate documents for each physical media.

- [“HCI USB Transport Layer” on page 759.](#)
- [“HCI RS232 Transport Layer” on page 775.](#)
- [“HCI UART Transport Layer” on page 795.](#)



### 3 HCI FLOW CONTROL

---

Flow control is used in the direction from the Host to the Host Controller to avoid filling up the Host Controller data buffers with ACL data destined for a remote device (connection handle) that is not responding. It is the Host that manages the data buffers of the Host Controller.

On Initialization, the Host will issue the `Read_Buffer_Size` command. Two of the return parameters of this command determine the maximum size of HCI ACL and SCO Data Packets (excluding header) sent from the Host to the Host Controller. There are also two additional return parameters that specify the total number of HCI ACL and SCO Data Packets that the Host Controller can have waiting for transmission in its buffers. When there is at least one connection to another device, or when in local loopback mode, the Host Controller uses the `Number Of Completed Packets` event to control the flow of data from the Host. This event contains a list of connection handles and a corresponding number of HCI Data Packets that have been completed (transmitted, flushed, or looped back to the Host) since the previous time the event was returned (or since the connection was established, if the event has not been returned before for a particular connection handle). Based on the information returned in this event, and the return parameters of the `Read_Buffer_Size` command that specify the total number of HCI ACL and SCO Data Packets that can be stored in the Host Controller, the Host can decide for which Connection Handles the following HCI Data Packets should be sent. After every time it has sent an HCI Data Packet, the Host must assume that the free buffer space for the corresponding link type (ACL or SCO) in the Host Controller has decreased by one HCI Data Packet. When the Host receives a new `Number Of Completed Packets` event, the Host gets information about how much the buffer usage has decreased since the previous time the event was returned. It can then calculate the actual current buffer usage. While the Host Controller has HCI data packets in its buffer, it must keep sending the `Number Of Completed Packets` event to the Host at least periodically, until it finally reports that all the pending ACL Data Packets have been transmitted or flushed. The rate with which this event is sent is manufacturer specific. Note that `Number Of Completed Packets` events will not report on SCO connection handles if SCO Flow Control is disabled. (See `Read/Write_SCO_Flow_Control_Enable` on [page 658](#) and [page 659](#).)

Note that for each individual Connection Handle, the data must be sent to the Host Controller in HCI Data Packets in the order in which it was created in the Host. The Host Controller must also transmit data on the air that is received from the Host for a given Connection Handle in the same order as it is received from the Host. Furthermore, data that is received on the air from another device must, for the corresponding Connection Handle, be sent in HCI Data Packets to the Host in the same order as it is received. This means that the scheduling is made on a Connection Handle basis. For each individual Connection Handle, the order of the data must not be changed from the order in which the data has been created.

In certain cases, flow control may also be necessary in the direction from the Host Controller to the Host. There is therefore a command – `Set_Host_Controller_To_Host_Flow_Control` – to turn flow control on or off in that direction. If turned on, it works in exactly the same way as described above. On initialization, the Host uses the `Host_Buffer_Size` command to notify the Host Controller about the maximum size of HCI ACL and SCO Data Packets sent from the Host Controller to the Host. The command also contains two additional command parameters to notify the Host Controller about the total number of ACL and SCO Data Packets that can be stored in the data buffers of the Host. The Host then uses the `Host_Number_Of_Completed_Packets` command in exactly the same way as the Host Controller uses the `Number Of Completed Packets` event (as was previously described in this section). The `Host_Number_Of_Completed_Packets` command is a special command for which no command flow control is used, and which can be sent anytime there is a connection or when in local loopback mode. This makes it possible for the flow control to work in exactly the same way in both directions, and the flow of normal commands will not be disturbed.

When the Host receives a `Disconnection Complete` event, the Host can assume that all HCI Data Packets that have been sent to the Host Controller for the returned `Connection_Handle` have been flushed, and that the corresponding data buffers have been freed. The Host Controller does not have to notify the Host about this in a `Number Of Completed Packets` event. If flow control is also enabled in the direction from the Host Controller to the Host, the Host Controller can after it has sent a `Disconnection_Complete` event assume that the Host will flush its data buffers for the sent `Connection_Handle` when it receives the `Disconnection_Complete` event. The Host does not have to notify the Host Controller about this in a `Host_Number_Of_Completed_Packets` command.

## 4 HCI COMMANDS

---

### 4.1 INTRODUCTION

The HCI provides a uniform command method of accessing the Bluetooth hardware capabilities. The HCI Link commands provide the Host with the ability to control the link layer connections to other Bluetooth devices. These commands typically involve the Link Manager (LM) to exchange LMP commands with remote Bluetooth devices. For details see [“Link Manager Protocol” on page 185](#).

The HCI Policy commands are used to affect the behavior of the local and remote LM. These Policy commands provide the Host with methods of influencing how the LM manages the piconet. The Host Controller & Baseband, Informational, and Status commands provide the Host access to various registers in the Host Controller.

HCI commands may take different amounts of time to be completed. Therefore, the results of commands will be reported back to the Host in the form of an event. For example, for most HCI commands the Host Controller will generate the Command Complete event when a command is completed. This event contains the return parameters for the completed HCI command. To detect errors on the HCI-Transport Layer a response timeout needs to be defined between the Host Controller receiving a command and sending a response to the command (e.g. a Command Complete or Command Status event). Since the maximum response timeout is strongly dependent on the HCI-Transport Layer used, it is recommended to use a default value of one second for this timer. This amount of time is also dependent on the number of commands unprocessed in the command queue.

### 4.2 TERMINOLOGY

*Baseband Packet:* The smallest unit of data that is transmitted by one device to another, as defined by the [“Baseband Specification” on page 33](#).

*Packet:* A higher-level protocol message than the baseband packet, currently only L2CAP (see [“Logical Link Control and Adaptation Protocol Specification” on page 245](#)) is defined, but additional packet types may be defined later.

*Connection Handle:* A connection handle is a 12-bit identifier which is used to uniquely address a data/voice connection from one Bluetooth device to another. The connection handles can be visualized as identifying a unique data pipe that connects two Bluetooth devices. The connection handle is maintained for the lifetime of a connection, including when a device enters Park, Sniff, or Hold mode. The Connection Handle value has local scope between Host and Host Controller. There can be multiple connection handles for any given pair of Bluetooth devices but only one ACL connection.

*Event:* A mechanism that the HCI uses to notify the Host for command completion, link layer status changes, etc.

### 4.3 DATA AND PARAMETER FORMATS

- All values are in Binary and Hexadecimal Little Endian formats unless otherwise noted
- In addition, all parameters which can have negative values must use 2's complement when specifying values
- Arrayed parameters are specified using the following notation: ParameterA[i]. If more than one set of arrayed parameters are specified (e.g. ParameterA[i], ParameterB[i]), then the order of the parameters are as follows: ParameterA[0], ParameterB[0], ParameterA[1], ParameterB[1], ParameterA[2], ParameterB[2], ... ParameterA[n], ParameterB[n]
- Unless noted otherwise, all parameter values are sent and received in Little Endian format (i.e. for multi-byte parameters the rightmost (Least Signification Byte) is transmitted first)
- All command and event parameters that are not-arrayed and all elements in an arrayed parameter have fixed sizes (an integer number of bytes). The parameters and the size of each not arrayed parameter (or of each element in an arrayed parameter) contained in a command or an event is specified for each command or event. The number of elements in an arrayed parameter is not fixed.

### 4.4 EXCHANGE OF HCI-SPECIFIC INFORMATION

The Host Controller Transport Layer provides transparent exchange of HCI-specific information. These transporting mechanisms provide the ability for the Host to send HCI commands, ACL data, and SCO data to the Host Controller. These transport mechanisms also provide the ability for the Host to receive HCI events, ACL data, and SCO data from the Host Controller.

Since the Host Controller Transport Layer provides transparent exchange of HCI-specific information, the HCI specification specifies the format of the commands, events, and data exchange between the Host and the Host Controller. The next sections specify the HCI packet formats.

#### 4.4.1 HCI Command Packet

The HCI Command Packet is used to send commands to the Host Controller from the Host. The format of the HCI Command Packet is shown in [Figure 4.1](#), and the definition of each field is explained below. When the Host Controller completes most of the commands, a Command Complete event is sent to the Host. Some commands do not receive a Command Complete event when they have been completed. Instead, when the Host Controller receives one of these commands the Host Controller sends a Command Status event back to the Host when it has begun to execute the command. Later on, when the actions associated with the command have finished, an event that is associated with the sent command will be sent by the Host Controller to the Host. However, if the command does not begin to execute (there may be a parameter error or the

command may currently not be allowed), the event associated with the sent command will not be returned. The Command Status event will, in this case, return the appropriate error code in the Status parameter. On initial power-on, and after a reset, the Host can send a maximum of one outstanding HCI Command Packet until a Command Complete or Command Status event has been received. If an error occurs for a command for which a Command Complete event is returned, the Return\_Parameters field may not contain all the return parameters specified for the command. The Status parameter, which explains the error reason and which is the first return parameter, will always be returned. If there is a Connection\_Handle parameter or a BD\_ADDR parameter right after the Status parameter, this parameter will also be returned so that the Host can identify to which instance of a command the Command Complete event belongs. In this case, the Connection\_Handle or BD\_ADDR parameter will have exactly the same value as that in the corresponding command parameter. It is implementation specific whether more parameters will be returned in case of an error.

**Note:** The BD\_ADDR return parameter of the command Read\_BD\_ADDR is not used to identify to which instance of the Read\_BD\_ADDR command the Command Complete event belongs. It is therefore not mandatory for the Host Controller to return this parameter in case of an error.

If an error occurs for a command for which no Command Complete event is returned, all parameters returned with the event associated with this command may not be valid. The Host must take care as to which parameters may have valid values depending on the value of the Status parameter of the Complete event associated with the given command. The Command Complete and Command Status events contain a parameter called Num\_HCI\_Command\_Packets, which indicates the number of HCI Command Packets the Host is currently allowed to send to the Host Controller. The Host Controller may buffer one or more HCI command packets, but the Host Controller must start performing the commands in the order in which they are received. The Host Controller can start performing a command before it completes previous commands. Therefore, the commands do not always complete in the order they are started. The Host Controller must be able to accept HCI Command Packets with up to 255 bytes of data excluding the HCI Command Packet header.

Each command is assigned a 2 byte Opcode used to uniquely identify different types of commands. The Opcode parameter is divided into two fields, called the OpCode Group Field (OGF) and OpCode Command Field (OCF). The OGF occupies the upper 6 bits of the Opcode, while the OCF occupies the remaining 10 bits. The OGF of 0x3F is reserved for vendor-specific debug commands. The OGF of 0x3E is reserved for Bluetooth Logo Testing. The organization of the Opcodes allows additional information to be inferred without fully decoding the entire Opcode.

Note: the OGF composed of all ‘ones’ has been reserved for vendor-specific debug commands. These commands are vendor-specific and are used during manufacturing, for a possible method for updating firmware, and for debugging.

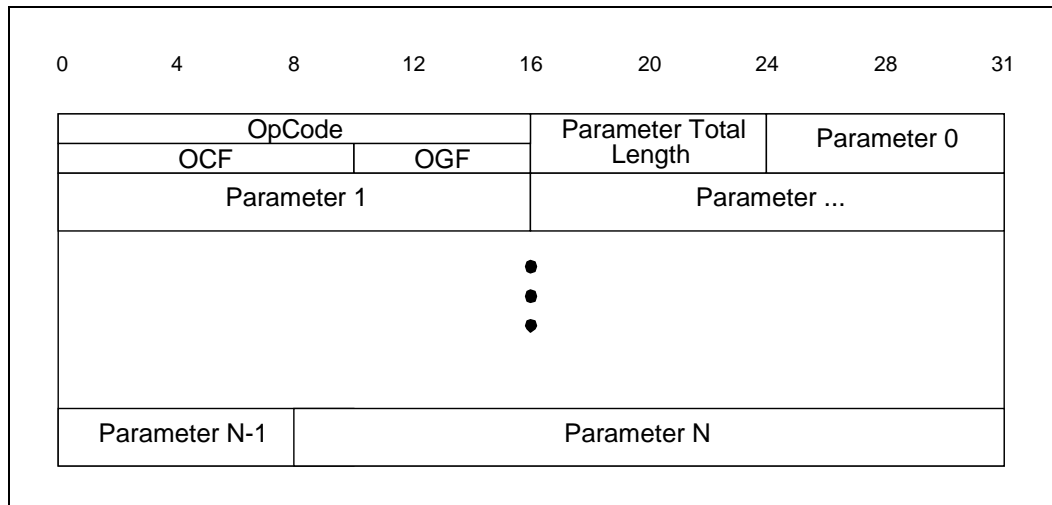


Figure 4.1: HCI Command Packet

*Op\_Code:*

*Size: 2 Bytes*

Value	Parameter Description
0xXXXX	OGF Range (6 bits): 0x00-0x3F (0x3E reserved for Bluetooth logo testing and 0x3F reserved for vendor-specific debug commands) OCF Range (10 bits): 0x0000-0x03FF

*Parameter\_Total\_Length:*

*Size: 1 Byte*

Value	Parameter Description
0xXX	Lengths of all of the parameters contained in this packet measured in bytes. (N.B.: total length of parameters, <u>not</u> number of parameters)

*Parameter 0 - N:*

*Size: Parameter Total Length*

Value	Parameter Description
0xXX	Each command has a specific number of parameters associated with it. These parameters and the size of each of the parameters are defined for each command. Each parameter is an integer number of bytes in size.

### 4.4.2 HCI Event Packet

The HCI Event Packet is used by the Host Controller to notify the Host when events occur. The Host must be able to accept HCI Event Packets with up to 255 bytes of data excluding the HCI Event Packet header. The format of the HCI Event Packet is shown in Figure 4.2, and the definition of each field is explained below.

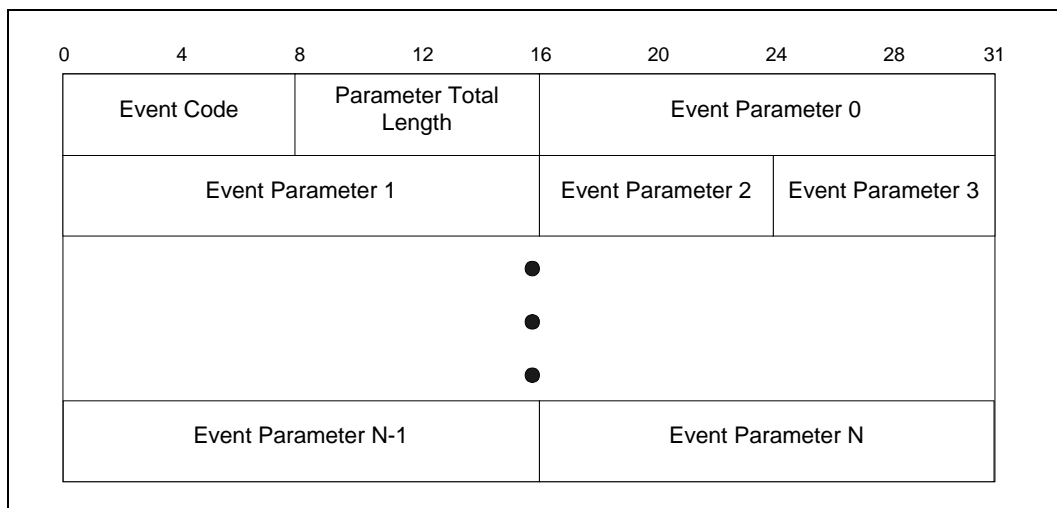


Figure 4.2: HCI Event Packet

*Event\_Code:*

*Size: 1 Byte*

Value	Parameter Description
0xXX	Each event is assigned a 1-Byte event code used to uniquely identify different types of events.  Range: 0x00-0xFF (The event code 0xFF is reserved for the event code used for vendor-specific debug events. In addition, the event code 0xFE is also reserved for Bluetooth Logo Testing)

*Parameter\_Total\_Length:*

*Size: 1 Byte*

Value	Parameter Description
0xXX	Length of all of the parameters contained in this packet, measured in bytes

*Event\_Parameter 0 - N:*

*Size: Parameter Total Length*

Value	Parameter Description
0xXX	Each event has a specific number of parameters associated with it. These parameters and the size of each of the parameters are defined for each event. Each parameter is an integer number of bytes in size.

### 4.4.3 HCI Data Packets

HCI Data Packets are used to exchange data between the Host and Host Controller. The data packets are defined for both ACL and SCO data types. The format of the HCI ACL Data Packet is shown in [Figure 4.3](#), and the format of the SCO Data Packet is shown in [Figure 4.4](#). The definition for each of the fields in the data packets is explained [below](#).

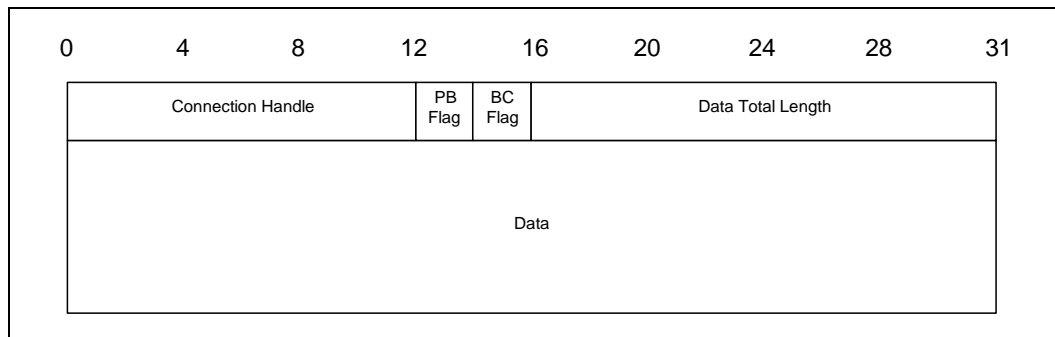


Figure 4.3: HCI ACL Data Packet



*Connection\_Handle:*

*Size: 12 Bits*

Value	Parameter Description
0xXXX	<p>Connection Handle to be used for transmitting a data packet or segment.                      Range: 0x0000-0x0EFF (0x0F00 - 0x0FFF Reserved for future use)</p> <p>The first time the Host sends an HCI Data Packet with Broadcast_Flag set to 01b (active broadcast) or 10b (piconet broadcast) after a power-on or a reset, the value of the Connection_Handle parameter must be a value which is not currently assigned by the Host Controller. The Host must use different connection handles for active broadcast and piconet broadcast. The Host Controller must then continue to use the same connection handles for each type of broadcast until a reset is made.</p> <p>Note: The Host Controller must not send a Connection Complete event containing a new Connection_Handle that it knows is used for broadcast.                      Note: In some situations, it may happen that the Host Controller sends a Connection Complete event before having interpreted a Broadcast packet received from the Host, and that the Connection_Handles of both Connection Complete event and HCI Data packet are the same. This conflict has to be avoided as follows:</p> <p>If a Connection Complete event is received containing one of the connection handles used for broadcast, the Host has to wait before sending any packets for the new connection until it receives a Number Of Completed Packets event indicating that there are no pending broadcast packets belonging to the connection handle. In addition, the Host must change the Connection_Handle used for the corresponding type of broadcast to a Connection_Handle which is currently not assigned by the Host Controller. This Connection_Handle must then be used for all the following broadcasts of that type until a reset is performed or the same conflict situation happens again. However, this will occur very rarely.</p> <p>The Host Controller must, in the above conflict case, be able to distinguish between the Broadcast message sent by the Host and the new connection made (this could be even a new SCO link) even though the connection handles are the same.</p> <p>For an HCI Data Packet sent from the Host Controller to the Host where the Broadcast_Flag is 01 or 10, the Connection_Handle parameter should contain the connection handle for the ACL connection to the master that sent the broadcast.</p> <p>Note: Connection handles used for Broadcast do not identify an ACL point-to-point connection, so they must not be used in any command having a Connection_Handle parameter and they will not be returned in any event having a Connection_Handle parameter except the Number Of Completed Packets event.</p>

*Flags:*

*Size: 2 Bits*

*The Flag Bits consist of the Packet\_Boundary\_Flag and Broadcast\_Flag. The Packet\_Boundary\_Flag is located in bit 4 and bit 5, and the Broadcast\_Flag is located in bit 6 and 7 in the second byte of the HCI ACL Data packet.*

*Packet\_Boundary\_Flag:*

*Size: 2 Bits*

Value	Parameter Description
00	Reserved for future use
01	Continuing fragment packet of Higher Layer Message
10	First packet of Higher Layer Message (i.e. start of an L2CAP packet)
11	Reserved for future use

*Broadcast\_Flag (in packet from Host to Host Controller):*

*Size: 2 Bits*

Value	Parameter Description
00	No broadcast. Only point-to-point.
01	Active Broadcast: packet is sent to all active slaves.
10	Piconet Broadcast: packet is sent to all slaves, including slaves in 'Park' mode.
11	Reserved for future use.

*Broadcast\_Flag (in packet from Host Controller to Host):*

*Size: 2 Bits*

Value	Parameter Description
00	Point-to-point
01	Packet received at an active slave (either Active Broadcast or Piconet Broadcast)
10	Packet received at a slave in 'Park' mode (Piconet Broadcast)
11	Reserved for future use.

*Data\_Total\_Length:*

*Size: 2 Bytes*

Value	Parameter Description
0xXXXX	Length of data measured in bytes.

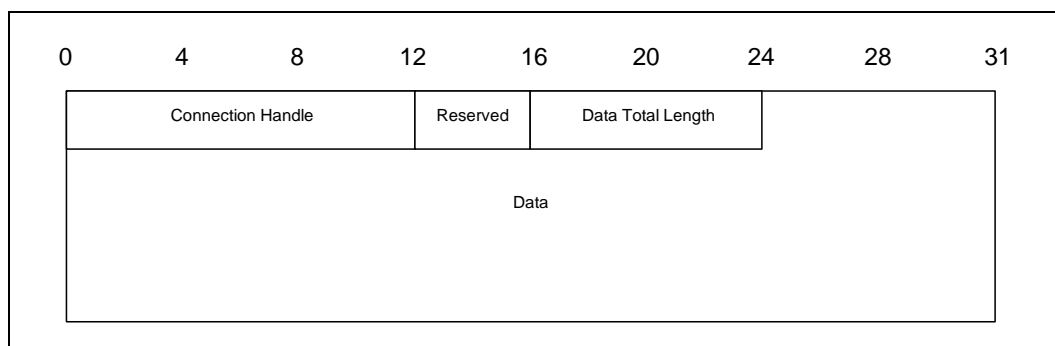


Figure 4.4: HCI SCO Data Packet

*Connection\_Handle:**Size: 12 Bits*

Value	Parameter Description
0xXXX	Connection handle to be used to for transmitting a SCO data packet or segment. Range: 0x0000-0x0EFF (0x0F00- 0x0FFF Reserved for future use)

*The Reserved Bits consist of four bits which are located from bit 4 to bit 7 in the second byte of the HCI SCO Data packet.*

*Reserved:**Size: 4 Bits*

Value	Parameter Description
XXXX	Reserved for future use.

*Data\_Total\_Length:**Size: 1 Byte*

Value	Parameter Description
0xXX	Length of SCO data measured in bytes

## 4.5 LINK CONTROL COMMANDS

The Link Control commands allow the Host Controller to control connections to other Bluetooth devices. When the Link Control commands are used, the Link Manager (LM) controls how the Bluetooth piconets and scatternets are established and maintained. These commands instruct the LM to create and modify link layer connections with Bluetooth remote devices, perform Inquiries of other Bluetooth devices in range, and other LMP commands. For the Link Control commands, the OGF is defined as 0x01.

Command	Command Summary Description
<a href="#">Inquiry</a>	The <a href="#">Inquiry</a> command will cause the Bluetooth device to enter Inquiry Mode. Inquiry Mode is used to discovery other nearby Bluetooth devices.
<a href="#">Inquiry_Cancel</a>	The <a href="#">Inquiry_Cancel</a> command will cause the Bluetooth device to stop the current Inquiry if the Bluetooth device is in Inquiry Mode.
<a href="#">Periodic_Inquiry_Mode</a>	The <a href="#">Periodic_Inquiry_Mode</a> command is used to configure the Bluetooth device to perform an automatic Inquiry based on a specified period range.
<a href="#">Exit_Periodic_Inquiry_Mode</a>	The <a href="#">Exit_Periodic_Inquiry_Mode</a> command is used to end the Periodic Inquiry mode when the local device is in Periodic Inquiry Mode.
<a href="#">Create_Connection</a>	The <a href="#">Create_Connection</a> command will cause the link manager to create an ACL connection to the Bluetooth device with the BD_ADDR specified by the command parameters.
<a href="#">Disconnect</a>	The <a href="#">Disconnect</a> command is used to terminate an existing connection.
<a href="#">Add_SCO_Connection</a>	The <a href="#">Add_SCO_Connection</a> command will cause the link manager to create a SCO connection using the ACL connection specified by the Connection Handle command parameter.
<a href="#">Accept_Connection_Request</a>	The <a href="#">Accept_Connection_Request</a> command is used to accept a new incoming connection request.
<a href="#">Reject_Connection_Request</a>	The <a href="#">Reject_Connection_Request</a> command is used to decline a new incoming connection request.
<a href="#">Link_Key_Request_Reply</a>	The <a href="#">Link_Key_Request_Reply</a> command is used to reply to a Link Key Request event from the Host Controller, and specifies the Link Key stored on the Host to be used as the link key for the connection with the other Bluetooth device specified by BD_ADDR.

Command	Command Summary Description
<a href="#">Link_Key_Request_Negative_Reply</a>	The <a href="#">Link_Key_Request_Negative_Reply</a> command is used to reply to a Link Key Request event from the Host Controller if the Host does not have a stored Link Key for the connection with the other Bluetooth Device specified by BD_ADDR.
<a href="#">PIN_Code_Request_Reply</a>	The <a href="#">PIN_Code_Request_Reply</a> command is used to reply to a PIN Code Request event from the Host Controller and specifies the PIN code to use for a connection.
<a href="#">PIN_Code_Request_Negative_Reply</a>	The <a href="#">PIN_Code_Request_Negative_Reply</a> command is used to reply to a PIN Code Request event from the Host Controller when the Host cannot specify a PIN code to use for a connection.
<a href="#">Change_Connection_Packet_Type</a>	The <a href="#">Change_Connection_Packet_Type</a> command is used to change which packet types can be used for a connection that is currently established.
<a href="#">Authentication_Requested</a>	The <a href="#">Authentication_Requested</a> command is used to establish authentication between the two devices associated with the specified Connection Handle.
<a href="#">Set_Connection_Encryption</a>	The <a href="#">Set_Connection_Encryption</a> command is used to enable and disable the link level encryption.
<a href="#">Change_Connection_Link_Key</a>	The <a href="#">Change_Connection_Link_Key</a> command is used to force both devices of a connection associated to the connection handle, to generate a new link key.
<a href="#">Master_Link_Key</a>	The <a href="#">Master_Link_Key</a> command is used to force both devices of a connection associated to the connection handle to use the temporary link key of the Master device or the regular link keys.
<a href="#">Remote_Name_Request</a>	The <a href="#">Remote_Name_Request</a> command is used to obtain the user-friendly name of another Bluetooth device.
<a href="#">Read_Remote_Supported_Features</a>	The <a href="#">Read_Remote_Supported_Features</a> command requests a list of the supported features of a remote device.
<a href="#">Read_Remote_Version_Information</a>	The <a href="#">Read_Remote_Version_Information</a> command will read the values for the version information for the remote Bluetooth device.
<a href="#">Read_Clock_Offset</a>	The <a href="#">Read_Clock_Offset</a> command allows the Host to read the clock offset of remote devices.

### 4.5.1 Inquiry

Command	OCF	Command Parameters	Return Parameters
HCI_Inquiry	0x0001	LAP, Inquiry_Length, Num_Responses	

**Description:**

This command will cause the Bluetooth device to enter Inquiry Mode. Inquiry Mode is used to discover other nearby Bluetooth devices. The LAP input parameter contains the LAP from which the inquiry access code shall be derived when the inquiry procedure is made. The Inquiry\_Length parameter specifies the total duration of the Inquiry Mode and, when this time expires, Inquiry will be halted. The Num\_Responses parameter specifies the number of responses that can be received before the Inquiry is halted. A Command Status event is sent from the Host Controller to the Host when the Inquiry command has been started by the Bluetooth device. When the Inquiry process is completed, the Host Controller will send an Inquiry Complete event to the Host indicating that the Inquiry has finished. The event parameters of Inquiry Complete event will have a summary of the result from the Inquiry process, which reports the number of nearby Bluetooth devices that responded. When a Bluetooth device responds to the Inquiry message, an Inquiry Result event will occur to notify the Host of the discovery.

A device which responds during an inquiry or inquiry period should always be reported to the Host in an Inquiry Result event if the device has not been reported earlier during the current inquiry or inquiry period and the device has not been filtered out using the command Set\_Event\_Filter. If the device has been reported earlier during the current inquiry or inquiry period, it may or may not be reported depending on the implementation (depending on if earlier results have been saved in the Host Controller and in that case how many responses that have been saved). It is recommended that the Host Controller tries to report a particular device only once during an inquiry or inquiry period.

**Command Parameters:**

LAP:

Size: 3 Bytes

Value	Parameter Description
0x9E8B00– 0X9E8B3F	This is the LAP from which the inquiry access code should be derived when the inquiry procedure is made; see <a href="#">“Bluetooth Assigned Numbers” on page 1009</a> .

*Inquiry\_Length:**Size: 1 Byte*

Value	Parameter Description
N = 0xXX	Maximum amount of time specified before the Inquiry is halted. Size: 1 byte Range: 0x01 – 0x30 Time = N * 1.28 sec Range: 1.28 – 61.44 Sec

*Num\_Responses:**Size: 1 Byte*

Value	Parameter Description
0x00	Default. Unlimited number of responses.
0xXX	Maximum number of responses from the Inquiry before the Inquiry is halted. Range: 0x01 – 0xFF

**Return Parameters:**

None.

**Event(s) generated (unless masked away):**

A Command Status event is sent from the Host Controller to the Host when the Host Controller has started the Inquiry process. An Inquiry Result event will be created for each Bluetooth device which responds to the Inquiry message. In addition, multiple Bluetooth devices which respond to the Inquire message may be combined into the same event. An Inquiry Complete event is generated when the Inquiry process has completed.

Note: no Command Complete event will be sent by the Host Controller to indicate that this command has been completed. Instead, the Inquiry Complete event will indicate that this command has been completed. No Inquiry Complete event will be generated for the canceled Inquiry process.

## 4.5.2 Inquiry\_Cancel

Command	OCF	Command Parameters	Return Parameters
HCI_Inquiry_Cancel	0x0002		Status

### Description:

This command will cause the Bluetooth device to stop the current Inquiry if the Bluetooth device is in Inquiry Mode. This command allows the Host to interrupt the Bluetooth device and request the Bluetooth device to perform a different task. The command should only be issued after the Inquiry command has been issued, a Command Status event has been received for the Inquiry command, and before the Inquiry Complete event occurs.

### Return Parameters:

*Status:*

*Size: 1 Byte*

Value	Parameter Description
0x00	Inquiry_Cancel command succeeded.
0x01-0xFF	Inquiry_Cancel command failed. See <a href="#">Table 6.1 on page 745</a> for list of Error Codes.

### Event(s) generated (unless masked away):

When the Inquiry Cancel command has completed, a Command Complete event will be generated. No Inquiry Complete event will be generated for the canceled Inquiry process.



### 4.5.3 Periodic\_Inquiry\_Mode

Command	OCF	Command Parameters	Return Parameters
HCI_Periodic_Inquiry_Mode	0x0003	Max_Period_Length, Min_Period_Length, LAP, Inquiry_Length, Num_Responses	Status

#### Description:

The Periodic\_Inquiry\_Mode command is used to configure the Bluetooth device to enter the Periodic Inquiry Mode that performs an automatic Inquiry. Max\_Period\_Length and Min\_Period\_Length define the time range between two consecutive inquiries, from the beginning of an inquiry until the start of the next inquiry. The Host Controller will use this range to determine a new random time between two consecutive inquiries for each Inquiry. The LAP input parameter contains the LAP from which the inquiry access code shall be derived when the inquiry procedure is made. The Inquiry\_Length parameter specifies the total duration of the InquiryMode and, when time expires, Inquiry will be halted. The Num\_Responses parameter specifies the number of responses that can be received before the Inquiry is halted. This command is completed when the Inquiry process has been started by the Bluetooth device, and a Command Complete event is sent from the Host Controller to the Host. When each of the periodic Inquiry processes are completed, the Host Controller will send an Inquiry Complete event to the Host indicating that the latest periodic Inquiry process has finished. The event parameters of Inquiry Complete event will have a summary of the result from the previous Periodic Inquiry process, which reports the number of nearby Bluetooth devices that responded. When a Bluetooth device responds to the Inquiry message an Inquiry Result event will occur to notify the Host of the discovery.

Note: Max\_Period\_Length > Min\_Period\_Length > Inquiry\_Length

A device which responds during an inquiry or inquiry period should always be reported to the Host in an Inquiry Result event if the device has not been reported earlier during the current inquiry or inquiry period and the device has not been filtered out using the command Set\_Event\_Filter. If the device has been reported earlier during the current inquiry or inquiry period, it may or may not be reported depending on the implementation (depending on if earlier results have been saved in the Host Controller and in that case how many responses that have been saved). It is recommended that the Host Controller tries to report a particular device only once during an inquiry or inquiry period.

**Command Parameters:***Max\_Period\_Length:**Size: 2 Bytes*

Value	Parameter Description
N = 0xXXXX	Maximum amount of time specified between consecutive inquiries. Size: 2 bytes Range: 0x03 – 0xFFFF Time = N * 1.28 sec Range: 3.84 – 83884.8 Sec 0.0 – 23.3 hours

*Min\_Period\_Length:**Size: 2 Bytes*

Value	Parameter Description
N = 0xXXXX	Minimum amount of time specified between consecutive inquiries. Size: 2 bytes Range: 0x02 – 0xFFFE Time = N * 1.28 sec Range: 2.56 – 83883.52 Sec 0.0 – 23.3 hours

*LAP:**Size: 3 Bytes*

Value	Parameter Description
0x9E8B00– 0X9E8B3F	This is the LAP from which the inquiry access code should be derived when the inquiry procedure is made, see <a href="#">“Bluetooth Assigned Numbers” on page 1009</a> .

*Inquiry\_Length:**Size: 1 Byte*

Value	Parameter Description
N = 0xXX	Maximum amount of time specified before the Inquiry is halted. Size: 1 byte Range: 0x01 – 0x30 Time = N * 1.28 sec Range: 1.28 – 61.44 Sec

*Num\_Responses:**Size: 1 Byte*

Value	Parameter Description
0x00	Default. Unlimited number of responses.
0xXX	Maximum number of responses from the Inquiry before the Inquiry is halted. Range: 0x01 – 0xFF

**Return Parameters:***Status:**Size: 1 Byte*

Value	Parameter Description
0x00	Periodic Inquiry Mode command succeeded.
0x01-0xFF	Periodic Inquiry Mode command failed. See <a href="#">Table 6.1 on page 745</a> for list of Error Codes.

**Event(s) generated (unless masked away):**

The Periodic Inquiry Mode begins when the Host Controller sends the Command Complete event for this command to the Host. An Inquiry Result event will be created for each Bluetooth device which responds to the Inquiry message. In addition, multiple Bluetooth devices which response to the Inquiry message may be combined into the same event. An Inquiry Complete event is generated when each of the periodic Inquiry processes has completed. No Inquiry Complete event will be generated for the canceled Inquiry process.

#### 4.5.4 Exit\_Periodic\_Inquiry\_Mode

Command	OCF	Command Parameters	Return Parameters
HCI_Exit_Periodic_Inquiry_Mode	0x0004		Status

##### Description:

The Exit Periodic Inquiry Mode command is used to end the Periodic Inquiry mode when the local device is in Periodic Inquiry Mode. If the local device is currently in an Inquiry process, the Inquiry process will be stopped directly and the Host Controller will no longer perform periodic inquiries until the Periodic Inquiry Mode command is reissued.

##### Command Parameters:

None.

##### Return Parameters:

*Status:*

*Size: 1 Byte*

Value	Parameter Description
0x00	Exit Periodic Inquiry Mode command succeeded.
0x01-0xFF	Exit Periodic Inquiry Mode command failed. See <a href="#">Table 6.1 on page 745</a> for list of Error Codes.

##### Event(s) generated (unless masked away):

A Command Complete event for this command will occur when the local device is no longer in Periodic Inquiry Mode. No Inquiry Complete event will be generated for the canceled Inquiry process.

### 4.5.5 Create\_Connection

Command	OCF	Command Parameters	Return Parameters
HCI_Create_Connection	0x0005	BD_ADDR, Packet_Type, Page_Scan_Repetition_Mode, Page_Scan_Mode, Clock_Offset, Allow_Role_Switch	

**Description:**

This command will cause the Link Manager to create a connection to the Bluetooth device with the BD\_ADDR specified by the command parameters. This command causes the local Bluetooth device to begin the Page process to create a link level connection. The Link Manager will determine how the new ACL connection is established. This ACL connection is determined by the current state of the device, its piconet, and the state of the device to be connected. The Packet\_Type command parameter specifies which packet types the Link Manager shall use for the ACL connection. The Link Manager must use only the packet type(s) specified by the Packet\_Type command parameter for sending HCI ACL Data Packets. Multiple packet types may be specified for the Packet Type parameter by performing a bit-wise OR operation of the different packet types. The Link Manager may choose which packet type to be used from the list of acceptable packet types. The Page\_Scan\_Repetition\_Mode and Page\_Scan\_Mode parameters specify the page scan modes supported by the remote device with the BD\_ADDR. This is the information that was acquired during the inquiry process. The Clock\_Offset parameter is the difference between its own clock and the clock of the remote device with BD\_ADDR. Only bits 2 through 16 of the difference are used, and they are mapped to this parameter as bits 0 through 14 respectively. A Clock\_Offset\_Valid\_Flag, located in bit 15 of the Clock\_Offset parameter, is used to indicate if the Clock Offset is valid or not. A Connection handle for this connection is returned in the Connection Complete event (see below). The Allow\_Role\_Switch parameter specifies if the local device accepts or rejects the request of a master-slave role switch when the remote device requests it at the connection setup (in the Role parameter of the Accept\_Connection\_Request command) (before the local Host Controller returns a Connection Complete event). For a definition of the different packet types see the [“Baseband Specification” on page 33](#).

Note: At least one packet type must be specified. The Host should enable as many packet types as possible for the Link Manager to perform efficiently. However, the Host must not enable packet types that the local device does not support.

**Command Parameters:**

*BD\_ADDR:*

*Size: 6 Bytes*

Value	Parameter Description
0XXXXXXXXXXXXX	BD_ADDR of the Device to be connected.

*Packet\_Type:*

*Size: 2 Bytes*

Value	Parameter Description
0x0001	Reserved for future use.
0x0002	Reserved for future use.
0x0004	Reserved for future use.
0x0008	DM1
0x0010	DH1
0x0020	Reserved for future use.
0x0040	Reserved for future use.
0x0080	Reserved for future use.
0x0100	Reserved for future use.
0x0200	Reserved for future use.
0x0400	DM3
0x0800	DH3
0x1000	Reserved for future use.
0x2000	Reserved for future use.
0x4000	DM5
0x8000	DH5

*Page\_Scan\_Repetition\_Mode:*

*Size: 1 Byte*

Value	Parameter Description
0x00	R0
0x01	R1
0x02	R2
0x03 – 0xFF	Reserved.

*Page\_Scan\_Mode:**Size: 1 Byte*

Value	Parameter Description
0x00	Mandatory Page Scan Mode.
0x01	Optional Page Scan Mode I.
0x02	Optional Page Scan Mode II.
0x03	Optional Page Scan Mode III.
0x04 – 0xFF	Reserved.

*Clock\_Offset:**Size: 2 Bytes*

Bit format	Parameter Description
Bit 14.0	Bit 16.2 of CLKslave-CLKmaster.
Bit 15	Clock_Offset_Valid_Flag Invalid Clock Offset = 0 Valid Clock Offset = 1

*Allow\_Role\_Switch:**Size: 1 Byte*

Value	Parameter Description
0x00	The local device will be a master, and will not accept a master-slave switch requested by the remote device at the connection setup.
0x01	The local device may be a master, or may become a slave after accepting a master-slave switch requested by the remote device at the connection setup.
0x02-0xFF	Reserved for future use.

**Return Parameters:**

None.

**Event(s) generated (unless masked away):**

When the Host Controller receives the Create Connection command, the Host Controller sends the Command Status event to the Host. In addition, when the LM determines the connection is established, the Host Controller, on both Bluetooth devices that form the connection, will send a Connection Complete event to each Host. The Connection Complete event contains the Connection Handle if this command is successful.

Note: no Command Complete event will be sent by the Host Controller to indicate that this command has been completed. Instead, the Connection Complete event will indicate that this command has been completed.

### 4.5.6 Disconnect

Command	OCF	Command Parameters	Return Parameters
HCI_Disconnect	0x0006	Connection_Handle, Reason	

#### Description:

The Disconnection command is used to terminate an existing connection. The Connection\_Handle command parameter indicates which connection is to be disconnected. The Reason command parameter indicates the reason for ending the connection. The remote Bluetooth device will receive the Reason command parameter in the Disconnection Complete event. All SCO connections on a physical link should be disconnected before the ACL connection on the same physical connection is disconnected.

#### Command Parameters:

*Connection\_Handle:* *Size: 2 Bytes (12 Bits meaningful)*

Value	Parameter Description
0xXXXX	Connection Handle for the connection being disconnected. Range: 0x0000-0x0EFF (0x0F00 - 0x0FFF Reserved for future use)

*Reason:* *Size: 1 Byte*

Value	Parameter Description
0x13-0x15, 0x1A	Other End Terminated Connection error codes (0x13-0x15) and Unsupported Remote Feature error code (0x1A) see <a href="#">Table 6.1 on page 745</a> for list of Error Codes.

#### Return Parameters:

None.

#### Event(s) generated (unless masked away):

When the Host Controller receives the Disconnect command, it sends the Command Status event to the Host. The Disconnection Complete event will occur at each Host when the termination of the connection has completed, and indicates that this command has been completed.

Note: No Command Complete event will be sent by the Host Controller to indicate that this command has been completed. Instead, the Disconnection Complete event will indicate that this command has been completed.



### 4.5.7 Add\_SCO\_Connection

Command	OCF	Command Parameters	Return Parameters
HCI_Add_SCO_Connection	0x0007	Connection_Handle, Packet_Type	

**Description:**

This command will cause the link manager to create a SCO connection using the ACL connection specified by the Connection\_Handle command parameter. This command causes the local Bluetooth device to create a SCO connection. The Link Manager will determine how the new connection is established. This connection is determined by the current state of the device, its piconet, and the state of the device to be connected. The Packet\_Type command parameter specifies which packet types the Link Manager should use for the connection. The Link Manager must only use the packet type(s) specified by the Packet\_Type command parameter for sending HCI SCO Data Packets. Multiple packet types may be specified for the Packet\_Type command parameter by performing a bitwise OR operation of the different packet types. The Link Manager may choose which packet type is to be used from the list of acceptable packet types. A Connection Handle for this connection is returned in the Connection Complete event (see below).

Note: SCO-Connection can only be created when an ACL Connection already exists. For a definition of the different packet types, see the “[Baseband Specification](#)” on page 33.

Note: At least one packet type must be specified. The Host should enable as many packet types as possible for the Link Manager to perform efficiently. However, the Host must not enable packet types that the local device does not support.

**Command Parameters:**

*Connection\_Handle* *Size 2 Bytes (12 Bits meaningful)*

Value	Parameter Description
0xXXXX	Connection Handle for the ACL connection being used to create an SCO connection. Range: 0x0000-0x0EFF (0x0F00 - 0x0FFF Reserved for future use)

*Packet\_Type:**Size: 2 Bytes*

Value	Parameter Description
0x0001	Reserved for future use.
0x0002	Reserved for future use.
0x0004	Reserved for future use.
0x0008	Reserved for future use.
0x0010	Reserved for future use.
0x0020	HV1
0x0040	HV2
0x0080	HV3
0x0100	Reserved for future use.
0x0200	Reserved for future use.
0x0400	Reserved for future use.
0x0800	Reserved for future use.
0x1000	Reserved for future use.
0x2000	Reserved for future use.
0x4000	Reserved for future use.
0x8000	Reserved for future use.

**Return Parameters:**

None.

**Event(s) generated (unless masked away):**

When the Host Controller receives the Add\_SCO\_Connection command, it sends the Command Status event to the Host. In addition, when the LM determines the connection is established, the Host Controller, on both Bluetooth devices that form the connection, will send a Connection Complete event to each Host. The Connection Complete event contains the Connection Handle if this command is successful.

Note: no Command Complete event will be sent by the Host Controller to indicate that this command has been completed. Instead, the Connection Complete event will indicate that this command has been completed.

### 4.5.8 Accept\_Connection\_Request

Command	OCF	Command Parameters	Return Parameters
HCI_Accept_Connection_Request	0x0009	BD_ADDR, Role	

**Description:**

The Accept\_Connection\_Request command is used to accept a new incoming connection request. The Accept\_Connection\_Request command shall only be issued after a Connection Request event has occurred. The Connection Request event will return the BD\_ADDR of the device which is requesting the connection. This command will cause the Link Manager to create a connection to the Bluetooth device, with the BD\_ADDR specified by the command parameters. The Link Manager will determine how the new connection will be established. This will be determined by the current state of the device, its piconet, and the state of the device to be connected. The Role command parameter allows the Host to specify if the Link Manager shall perform a Master-Slave switch, and become the Master for this connection. Also, the decision to accept a connection must be completed before the connection accept timeout expires on the local Bluetooth Module.

Note: when accepting SCO connection request, the Role parameter is not used and will be ignored by the Host Controller.

**Command Parameters:**

*BD\_ADDR:*

*Size: 6 Bytes*

Value	Parameter Description
0XXXXXXXXXXXXX	BD_ADDR of the Device to be connected

*Role:*

*Size: 1 Byte*

Value	Parameter Description
0x00	Become the Master for this connection. The LM will perform the Master/Slave switch.
0x01	Remain the Slave for this connection. The LM will <b>NOT</b> perform the Master/Slave switch.

**Return Parameters:**

None.

**Event(s) generated (unless masked away):**

The `Accept_Connection_Request` command will cause the `Command Status` event to be sent from the Host Controller when the Host Controller begins setting up the connection. In addition, when the Link Manager determines the connection is established, the Host Controllers on both Bluetooth devices that form the connection will send a `Connection Complete` event to each Host. The `Connection Complete` event contains the `Connection Handle` if this command is successful.

Note: no `Command Complete` event will be sent by the Host Controller to indicate that this command has been completed. Instead, the `Connection Complete` event will indicate that this command has been completed.

### 4.5.9 Reject\_Connection\_Request

Command	OCF	Command Parameters	Return Parameters
HCI_Reject_Connection_Request	0x000A	BD_ADDR, Reason	

#### Description:

The Reject\_Connection\_Request command is used to decline a new incoming connection request. The Reject\_Connection\_Request command shall only be called after a Connection Request event has occurred. The Connection Request event will return the BD\_ADDR of the device that is requesting the connection. The Reason command parameter will be returned to the connecting device in the Status parameter of the Connection Complete event returned to the Host of the connection device, to indicate why the connection was declined.

#### Command Parameters:

*BD\_ADDR:*

*Size: 6 Bytes*

Value	Parameter Description
0xXXXXXXXXXXXX	BD_ADDR of the Device to reject the connection from.

*Reason:*

*Size: 1 Byte*

Value	Parameter Description
0x0D-0x0F	Host Reject Error Code. See <a href="#">Table 6.1 on page 745</a> for list of Error Codes and descriptions.

#### Return Parameters:

None.

#### Event(s) generated (unless masked away):

When the Host Controller receives the Reject\_Connection\_Request command, the Host Controller sends the Command Status event to the Host. A Connection Complete event will then be sent, both to the local Host and to the Host of the device attempting to make the connection. The Status parameter of the Connection Complete event, which is sent to the Host of the device attempting to make the connection, will contain the Reason command parameter from this command.

Note: no Command Complete event will be sent by the Host Controller to indicate that this command has been completed. Instead, the Connection Complete event will indicate that this command has been completed.

### 4.5.10 Link\_Key\_Request\_Reply

Command	OCF	Command Parameters	Return Parameters
HCI_Link_Key_Request_Reply	0x000B	BD_ADDR, Link_Key	Status, BD_ADDR

**Description:**

The Link\_Key\_Request\_Reply command is used to reply to a Link Key Request event from the Host Controller, and specifies the Link Key stored on the Host to be used as the link key for the connection with the other Bluetooth Device specified by BD\_ADDR. The Link Key Request event will be generated when the Host Controller needs a Link Key for a connection.

When the Host Controller generates a Link Key Request event in order for the local Link Manager to respond to the request from the remote Link Manager (as a result of a Create\_Connection or Authentication\_Requested command from the remote Host), the local Host must respond with either a Link\_Key\_Request\_Reply or Link\_Key\_Request\_Negative\_Reply command before the remote Link Manager detects LMP response timeout. (See “Link Manager Protocol” on page 185.)

**Command Parameters:**

*BD\_ADDR:* *Size: 6 Bytes*

Value	Parameter Description
0XXXXXXXXXXXXX	BD_ADDR of the Device of which the Link Key is for.

*Link\_Key:* *Size: 16 Bytes*

Value	Parameter Description
0XXXXXXXXXXXXX XXXXXXXXXXXXX XXXXXXXXXXXXX	Link Key for the associated BD_ADDR.

**Return Parameters:**

*Status:* *Size: 1 Byte*

Value	Parameter Description
0x00	Link_Key_Request_Reply command succeeded.
0x01-0xFF	Link_Key_Request_Reply command failed. See Table 6.1 on page 745 for list of Error Codes.

**BD\_ADDR:***Size: 6 Bytes*

Value	Parameter Description
0XXXXXXXXX XXXX	BD_ADDR of the Device of which the Link Key request reply has completed.

**Event(s) generated (unless masked away):**

The Link\_Key\_Request\_Reply command will cause a Command Complete event to be generated.

### 4.5.11 Link\_Key\_Request\_Negative\_Reply

Command	OCF	Command Parameters	Return Parameters
HCI_Link_Key_Request_Negative_Reply	0x000C	BD_ADDR	Status, BD_ADDR

**Description:**

The Link\_Key\_Request\_Negative\_Reply command is used to reply to a Link Key Request event from the Host Controller if the Host does not have a stored Link Key for the connection with the other Bluetooth Device specified by BD\_ADDR. The Link Key Request event will be generated when the Host Controller needs a Link Key for a connection.

When the Host Controller generates a Link Key Request event in order for the local Link Manager to respond to the request from the remote Link Manager (as a result of a Create\_Connection or Authentication\_Requested command from the remote Host), the local Host must respond with either a Link\_Key\_Request\_Reply or Link\_Key\_Request\_Negative\_Reply command before the remote Link Manager detects LMP response timeout. (See “Link Manager Protocol” on page 185.)

**Command Parameters:**

*BD\_ADDR:* *Size: 6 Bytes*

Value	Parameter Description
0xFFFFFFFFXX	BD_ADDR of the Device which the Link Key is for.

**Return Parameters:**

*Status:* *Size: 1 Byte*

Value	Parameter Description
0x00	Link_Key_Request_Negative_Reply command succeeded.
0x01-0xFF	Link_Key_Request_Negative_Reply command failed. See <a href="#">Table 6.1 on page 745</a> for list of Error Codes.

*BD\_ADDR:* *Size: 6 Bytes*

Value	Parameter Description
0xFFFFFFFFXXXX	BD_ADDR of the Device which the Link Key request negative reply has completed.

**Event(s) generated (unless masked away):**

The Link\_Key\_Request\_Negative\_Reply command will cause a Command Complete event to be generated.



### 4.5.12 PIN\_Code\_Request\_Reply

Command	OCF	Command Parameters	Return Parameters
HCI_PIN_Code_Request_Reply	0x000D	BD_ADDR, PIN_Code_Length, PIN_Code	Status, BD_ADDR

#### Description:

The PIN\_Code\_Request\_Reply command is used to reply to a PIN Code request event from the Host Controller, and specifies the PIN code to use for a connection. The PIN Code Request event will be generated when a connection with remote initiating device has requested pairing.

When the Host Controller generates a PIN Code Request event in order for the local Link Manager to respond to the request from the remote Link Manager (as a result of a Create\_Connection or Authentication\_Requested command from the remote Host), the local Host must respond with either a PIN\_Code\_Request\_Reply or PIN\_Code\_Request\_Negative\_Reply command before the remote Link Manager detects LMP response timeout. (See “Link Manager Protocol” on page 185.)

#### Command Parameters:

*BD\_ADDR:*

*Size: 6 Bytes*

Value	Parameter Description
0XXXXXXXXXX XX	BD_ADDR of the Device which the PIN code is for.

*PIN\_Code\_Length:*

*Size: 1 Byte*

Value	Parameter Description
0xXX	The PIN code length specifies the length, in bytes, of the PIN code to be used. Range: 0x01-0x10

*PIN\_Code:*

*Size: 16 Bytes*

Value	Parameter Description
0XXXXXXXXXX XXXXXXXXXXXX XXXXXXXXXXXX	PIN code for the device that is to be connected. The Host should insure that strong PIN Codes are used. PIN Codes can be up to a maximum of 128 bits. The MSB of the PIN Code occupies byte zero.

**Return Parameters:***Status:**Size: 1 Byte*

Value	Parameter Description
0x00	PIN_Code_Request_Reply command succeeded.
0x01-0xFF	PIN_Code_Request_Reply command failed. See <a href="#">Table 6.1 on page 745</a> for list of Error Codes.

*BD\_ADDR:**Size: 6 Bytes*

Value	Parameter Description
0XXXXXXXX XXXX	BD_ADDR of the Device which the PIN Code request reply has completed.

**Event(s) generated (unless masked away):**

The PIN\_Code\_Request\_Reply command will cause a Command Complete event to be generated.

### 4.5.13 PIN\_Code\_Request\_Negative\_Reply

Command	OCF	Command Parameters	Return Parameters
HCI_PIN_Code_Request_Negative_Reply	0x000E	BD_ADDR	Status, BD_ADDR

**Description:**

The PIN\_Code\_Request\_Negative\_Reply command is used to reply to a PIN Code request event from the Host Controller when the Host cannot specify a PIN code to use for a connection. This command will cause the pair request with remote device to fail.

When the Host Controller generates a PIN Code Request event in order for the local Link Manager to respond to the request from the remote Link Manager (as a result of a Create\_Connection or Authentication\_Requested command from the remote Host), the local Host must respond with either a PIN\_Code\_Request\_Reply or PIN\_Code\_Request\_Negative\_Reply command before the remote Link Manager detects LMP response timeout. (See [“Link Manager Protocol” on page 185.](#))

**Command Parameters:**

*BD\_ADDR:*

*Size: 6 Bytes*

Value	Parameter Description
0xFFFFFFFFXXXX	BD_ADDR of the Device which this command is responding to.

**Return Parameters:**

*Status:*

*Size: 1 Byte*

Value	Parameter Description
0x00	PIN_Code_Request_Negative_Reply command succeeded.
0x01-0xFF	PIN_Code_Request_Negative_Reply command failed. See <a href="#">Table 6.1 on page 7450</a> for list of Error Codes.

*BD\_ADDR:*

*Size: 6 Bytes*

Value	Parameter Description
0xFFFFFFFFXXXX	BD_ADDR of the Device which the PIN Code request negative reply has completed.

**Event(s) generated (unless masked away):**

The PIN\_Code\_Request\_Negative\_Reply command will cause a Command Complete event to be generated.

### 4.5.14 Change\_Connection\_Packet\_Type

Command	OCF	Command Parameters	Return Parameters
HCI_Change_Connection_Packet_Type	0x000F	Connection_Handle, Packet_Type	

**Description:**

The Change\_Connection\_Packet\_Type command is used to change which packet types can be used for a connection that is currently established. This allows current connections to be dynamically modified to support different types of user data. The Packet\_Type command parameter specifies which packet types the Link Manager can use for the connection. The Link Manager must only use the packet type(s) specified by the Packet\_Type command parameter for sending HCI Data Packets. The interpretation of the value for the Packet\_Type command parameter will depend on the Link\_Type command parameter returned in the Connection Complete event at the connection setup. Multiple packet types may be specified for the Packet\_Type command parameter by bitwise OR operation of the different packet types. For a definition of the different packet types see the [“Baseband Specification” on page 33](#).

Note: At least one packet type must be specified. The Host should enable as many packet types as possible for the Link Manager to perform efficiently. However, the Host must not enable packet types that the local device does not support.

**Command Parameters:**

*Connection\_Handle:* *Size: 2 Bytes (12 Bits meaningful)*

Value	Parameter Description
0xXXXX	Connection Handle to be used to for transmitting and receiving voice or data. Returned from creating a connection. Range: 0x0000-0x0EFF (0x0F00 - 0x0FFF Reserved for future use)

*Packet\_Type:* *Size: 2 Bytes*

*For ACL Link\_Type*

Value	Parameter Description
0x0001	Reserved for future use.
0x0002	Reserved for future use.
0x0004	Reserved for future use.
0x0008	DM1

Value	Parameter Description
0x0010	DH1
0x0020	Reserved for future use.
0x0040	Reserved for future use.
0x0080	Reserved for future use.
0x0100	Reserved for future use.
0x0200	Reserved for future use.
0x0400	DM3
0x0800	DH3
0x1000	Reserved for future use.
0x2000	Reserved for future use.
0x4000	DM5
0x8000	DH5

*For SCO Link Type*

Value	Parameter Description
0x0001	Reserved for future use.
0x0002	Reserved for future use.
0x0004	Reserved for future use.
0x0008	Reserved for future use.
0x0010	Reserved for future use.
0x0020	HV1
0x0040	HV2
0x0080	HV3
0x0100	Reserved for future use.
0x0200	Reserved for future use.
0x0400	Reserved for future use.
0x0800	Reserved for future use.
0x1000	Reserved for future use.
0x2000	Reserved for future use.
0x4000	Reserved for future use.
0x8000	Reserved for future use.

**Return Parameters:**

None.

**Event(s) generated (unless masked away):**

When the Host Controller receives the Change Connection Packet Type command, the Host Controller sends the Command Status event to the Host. In addition, when the Link Manager determines the packet type has been changed for the connection, the Host Controller on the local device will send a Connection Packet Type Changed event to the Host. This will be done at the local side only.

Note: no Command Complete event will be sent by the Host Controller to indicate that this command has been completed. Instead, the Connection Packet Type Changed event will indicate that this command has been completed.

### 4.5.15 Authentication\_Requested

Command	OCF	Command Parameters	Return Parameters
HCI_Authentication_Requested	0x0011	Connection_Handle	

**Description:**

The Authentication\_Requested command is used to try to authenticate the remote device associated with the specified Connection Handle. The Host must not issue the Authentication\_Requested command with a Connection\_Handle corresponding to an encrypted link. On an authentication failure, the Host Controller or Link Manager shall not automatically detach the link. The Host is responsible for issuing a Disconnect command to terminate the link if the action is appropriate.

Note: the Connection\_Handle command parameter is used to identify the other Bluetooth device, which forms the connection. The Connection Handle should be a Connection Handle for an ACL connection.

**Command Parameters:**

*Connection\_Handle:* *Size 2 Bytes (12 Bits meaningful)*

Value	Parameter Description
0xXXXX	Connection Handle to be used to set up authentication for all Connection Handles with the same Bluetooth device end-point as the specified Connection Handle. Range: 0x0000-0x0EFF (0x0F00 - 0x0FFF Reserved for future use)

**Return Parameters:**

None.

**Event(s) generated (unless masked away):**

When the Host Controller receives the Authentication\_Requested command, it sends the Command Status event to the Host. The Authentication Complete event will occur when the authentication has been completed for the connection and is indication that this command has been completed.

Note: no Command Complete event will be sent by the Host Controller to indicate that this command has been completed. Instead, the Authentication Complete event will indicate that this command has been completed.

Note: When the local or remote Host Controller does not have a link key for the specified Connection\_Handle, it will request the link key from its Host, before the local Host finally receives the Authentication Complete event.

#### 4.5.16 Set\_Connection\_Encryption

Command	OCF	Command Parameters	Return Parameters
HCI_Set_Connection_Encryption	0x0013	Connection_Handle, Encryption_Enable	

##### Description:

The Set\_Connection\_Encryption command is used to enable and disable the link level encryption. Note: the Connection\_Handle command parameter is used to identify the other Bluetooth device which forms the connection. The Connection Handle should be a Connection Handle for an ACL connection. While the encryption is being changed, all ACL traffic must be turned off for all Connection Handles associated with the remote device.

##### Command Parameters:

*Connection\_Handle:* *Size 2 Bytes (12 Bits meaningful)*

Value	Parameter Description
0xXXXX	Connection Handle to be used to enable/disable the link layer encryption for all Connection Handles with the same Bluetooth device end-point as the specified Connection Handle. Range: 0x0000-0x0EFF (0x0F00 - 0x0FFF Reserved for future use)

*Encryption\_Enable:* *Size: 1 Byte*

Value	Parameter Description
0x00	Turn Link Level Encryption OFF.
0x01	Turn Link Level Encryption ON.

##### Return Parameters:

None.

##### Event(s) generated (unless masked away):

When the Host Controller receives the Set\_Connection\_Encryption command, the Host Controller sends the Command Status event to the Host. When the Link Manager has completed enabling/disabling encryption for the connection, the Host Controller on the local Bluetooth device will send an Encryption Change event to the Host, and the Host Controller on the remote device will also generate an Encryption Change event.

Note: no Command Complete event will be sent by the Host Controller to indicate that this command has been completed. Instead, the Encryption Change event will indicate that this command has been completed.



#### 4.5.17 Change\_Connection\_Link\_Key

Command	OCF	Command Parameters	Return Parameters
HCI_Change_Connection_Link_Key	0x0015	Connection_Handle	

##### Description:

The Change\_Connection\_Link\_Key command is used to force both devices of a connection associated with the connection handle to generate a new link key. The link key is used for authentication and encryption of connections.

Note: the Connection\_Handle command parameter is used to identify the other Bluetooth device forming the connection. The Connection Handle should be a Connection Handle for an ACL connection. If the connection encryption is enabled, and the temporary link key is currently used, then the Bluetooth master device will automatically restart the encryption.

##### Command Parameters:

*Connection\_Handle:*

*Size 2 Bytes (12 Bits meaningful)*

Value	Parameter Description
0xXXXX	Connection Handle used to identify a connection. Range: 0x0000-0x0EFF (0x0F00 - 0x0FFF Reserved for future use)

##### Return Parameters:

None.

##### Event(s) generated (unless masked away):

When the Host Controller receives the Change\_Connection\_Link\_Key command, the Host Controller sends the Command Status event to the Host. When the Link Manager has changed the Link Key for the connection, the Host Controller on the local Bluetooth device will send a Link Key Notification event and a Change Connection Link Key Complete event to the Host, and the Host Controller on the remote device will also generate a Link Key Notification event. The Link Key Notification event indicates that a new connection link key is valid for the connection.

Note: no Command Complete event will be sent by the Host Controller to indicate that this command has been completed. Instead, the Change Connection Link Key Complete event will indicate that this command has been completed.

#### 4.5.18 Master\_Link\_Key

Command	OCF	Command Parameters	Return Parameters
HCI_Master_Link_Key	0x0017	Key_Flag	

##### Description:

The Master Link Key command is used to force the device that is master of the piconet to use the temporary link key of the master device, or the semi-permanent link keys. The temporary link key is used for encryption of broadcast messages within a piconet, and the semi-permanent link keys are used for private encrypted point-to-point communication. The Key\_Flag command parameter is used to indicate which Link Key (temporary link key of the Master, or the semi-permanent link keys) shall be used.

##### Command Parameters:

*Key\_Flag:*

*Size: 1 Byte*

Value	Parameter Description
0x00	Use semi-permanent Link Keys.
0x01	Use Temporary Link Key.

##### Return Parameters:

None.

##### Event(s) generated (unless masked away):

When the Host Controller receives the Master\_Link\_Key command, the Host Controller sends the Command Status event to the Host. When the Link Manager has changed link key, the Host Controller on both the local and the remote device will send a Master Link Key Complete event to the Host. The Connection Handle on the master side will be a Connection Handle for one of the existing connections to a slave. On the slave side, the Connection Handle will be a Connection Handle to the initiating master.

The Master Link Key Complete event contains the status of this command. Note: no Command Complete event will be sent by the Host Controller to indicate that this command has been completed. Instead, the Master Link Key Complete event will indicate that this command has been completed.

### 4.5.19 Remote\_Name\_Request

Command	OCF	Command Parameters	Return Parameters
HCI_Remote_Name_Request	0x0019	BD_ADDR, Page_Scan_Repetition_Mode, Page_Scan_Mode, Clock_Offset	

#### Description:

The Remote\_Name\_Request command is used to obtain the user-friendly name of another Bluetooth device. The user-friendly name is used to enable the user to distinguish one Bluetooth device from another. The BD\_ADDR command parameter is used to identify the device for which the user-friendly name is to be obtained. The Page\_Scan\_Repetition\_Mode and Page\_Scan\_Mode command parameters specify the page scan modes supported by the remote device with the BD\_ADDR. This is the information that was acquired during the inquiry process. The Clock\_Offset parameter is the difference between its own clock and the clock of the remote device with BD\_ADDR. Only bits 2 through 16 of the difference are used and they are mapped to this parameter as bits 0 through 14 respectively. A Clock\_Offset\_Valid\_Flag, located in bit 15 of the Clock\_Offset command parameter, is used to indicate if the Clock Offset is valid or not. Note: if no connection exists between the local device and the device corresponding to the BD\_ADDR, a temporary link layer connection will be established to obtain the name of the remote device.

#### Command Parameters:

*BD\_ADDR:* *Size: 6 Bytes*

Value	Parameter Description
0XXXXXXXXXX XX	BD_ADDR for the device whose name is requested.

*Page\_Scan\_Repetition\_Mode:* *Size: 1 Byte*

Value	Parameter Description
0x00	R0
0x01	R1
0x02	R2
0x03 – 0xFF	Reserved.

*Page\_Scan\_Mode:**Size: 1 Byte*

Value	Parameter Description
0x00	Mandatory Page Scan Mode.
0x01	Optional Page Scan Mode I.
0x02	Optional Page Scan Mode II.
0x03	Optional Page Scan Mode III.
0x04 – 0xFF	Reserved.

*Clock\_Offset:**Size: 2 Bytes*

Bit format	Parameter Description
Bit 14.0	Bit 16.2 of CLKslave-CLKmaster.
Bit 15	Clock_Offset_Valid_Flag Invalid Clock Offset = 0 Valid Clock Offset = 1

**Return Parameters:**

None.

**Event(s) generated (unless masked away):**

When the Host Controller receives the Remote\_Name\_Request command, the Host Controller sends the Command Status event to the Host. When the Link Manager has completed the LMP messages to obtain the remote name, the Host Controller on the local Bluetooth device will send a Remote Name Request Complete event to the Host. Note: no Command Complete event will be sent by the Host Controller to indicate that this command has been completed. Instead, only the Remote Name Request Complete event will indicate that this command has been completed.

#### 4.5.20 Read\_Remote\_Supported\_Features

Command	OCF	Command Parameters	Return Parameters
HCI_Read_Remote_Supported_Features	0x001B	Connection_Handle	

##### Description:

This command requests a list of the supported features for the remote device identified by the Connection\_Handle parameter. The Connection\_Handle must be a Connection\_Handle for an ACL connection. The Read Remote Supported Features Complete event will return a list of the LMP features. For details see “Link Manager Protocol” on page 185.

##### Command Parameters:

Connection\_Handle:

Size: 2 Bytes (12 Bits meaningful)

Value	Parameter Description
0xXXXX	Specifies which Connection Handle's LMP-supported features list to get. Range: 0x0000-0x0EFF (0x0F00 - 0x0FFF Reserved for future use)

##### Return Parameters:

None.

##### Event(s) generated (unless masked away):

When the Host Controller receives the Read\_Remote\_Supported\_Features command, the Host Controller sends the Command Status event to the Host. When the Link Manager has completed the LMP messages to determine the remote features, the Host Controller on the local Bluetooth device will send a Read Remote Supported Features Complete event to the Host. The Read Remote Supported Features Complete event contains the status of this command, and parameters describing the supported features of the remote device. Note: no Command Complete event will be sent by the Host Controller to indicate that this command has been completed. Instead, the Read Remote Supported Features Complete event will indicate that this command has been completed.

#### 4.5.21 Read\_Remote\_Version\_Information

Command	OCF	Command Parameters	Return Parameters
HCI_Read_Remote_Version_Information	0x001D	Connection_Handle	

##### Description:

This command will obtain the values for the version information for the remote Bluetooth device identified by the Connection\_Handle parameter. The Connection\_Handle must be a Connection\_Handle for an ACL connection.

##### Command Parameters:

*Connection\_Handle:* *Size: 2 Bytes (12 Bits meaningful)*

Value	Parameter Description
0xXXXX	Specifies which Connection Handle's version information to get. Range: 0x0000-0x0EFF (0x0F00 - 0x0FFF Reserved for future use)

##### Return Parameters:

None.

##### Event(s) generated (unless masked away):

When the Host Controller receives the Read\_Remote\_Version\_Information command, the Host Controller sends the Command Status event to the Host. When the Link Manager has completed the LMP messages to determine the remote version information, the Host Controller on the local Bluetooth device will send a Read Remote Version Information Complete event to the Host. The Read Remote Version Information Complete event contains the status of this command, and parameters describing the version and subversion of the LMP used by the remote device.

Note: no Command Complete event will be sent by the Host Controller to indicate that this command has been completed. Instead, the Read Remote Version Information Complete event will indicate that this command has been completed.

**4.5.22 Read\_Clock\_Offset**

Command	OCF	Command Parameters	Return Parameters
HCI_Read_Clock_Offset	0x001F	Connection_Handle	

**Description:**

Both the System Clock and the clock offset of a remote device are used to determine what hopping frequency is used by a remote device for page scan. This command allows the Host to read clock offset of remote devices. The Connection\_Handle must be a Connection\_Handle for an ACL connection. This command could be used to facilitate handoffs of Bluetooth devices from one device to another.

**Command Parameters:**

*Connection\_Handle:*

*Size: 2 Bytes (12 bits meaningful)*

Value	Parameter Description
0xXXXX	Specifies which Connection Handle's Clock Offset parameter is returned. Range: 0x0000-0x0EFF (0x0F00 - 0x0FFF Reserved for future use)

**Return Parameters:**

None.

**Event(s) generated (unless masked away):**

When the Host Controller receives the Read\_Clock\_Offset command, the Host Controller sends the Command Status event to the Host. If this command was requested at the master and the Link Manager has completed the LMP messages to obtain the Clock Offset information, the Host Controller on the local Bluetooth device will send a Read Clock Offset Complete event to the Host. Note: no Command Complete event will be sent by the Host Controller to indicate that this command has been completed. Instead, only the Read Clock Offset Complete event will indicate that this command has been completed. If the command is requested at the slave, the LM will immediately send a Command Status event and a Read Clock Offset Complete event to the Host, without an exchange of LMP PDU.

## 4.6 LINK POLICY COMMANDS

The Link Policy Commands provide methods for the Host to affect how the Link Manager manages the piconet. When Link Policy Commands are used, the LM still controls how Bluetooth piconets and scatternets are established and maintained, depending on adjustable policy parameters. These policy commands modify the Link Manager behavior that can result in changes to the link layer connections with Bluetooth remote devices.

Note: only one ACL connection can exist between two Bluetooth Devices, and therefore there can only be one ACL HCI Connection Handle for each physical link layer Connection. The Bluetooth Host Controller provides policy adjustment mechanisms to provide support for a number of different policies. This capability allows one Bluetooth module to be used to support many different usage models, and the same Bluetooth module can be incorporated in many different types of Bluetooth devices. For the Link Policy Commands, the OGF is defined as 0x02.

Command	Command Summary Description
<a href="#">Hold_Mode</a>	The <a href="#">Hold_Mode</a> command is used to alter the behavior of the LM and have the LM place the local or remote device into the hold mode.
<a href="#">Sniff_Mode</a>	The <a href="#">Sniff_Mode</a> command is used to alter the behavior of the LM and have the LM place the local or remote device into the sniff mode.
<a href="#">Exit_Sniff_Mode</a>	The <a href="#">Exit_Sniff_Mode</a> command is used to end the sniff mode for a connection handle which is currently in sniff mode.
<a href="#">Park_Mode</a>	The <a href="#">Park_Mode</a> command is used to alter the behavior of the LM and have the LM place the local or remote device into the Park mode.
<a href="#">Exit_Park_Mode</a>	The <a href="#">Exit_Park_Mode</a> command is used to switch the Bluetooth device from park mode back to active mode.
<a href="#">QoS_Setup</a>	The <a href="#">QoS_Setup</a> command is used to specify Quality of Service parameters for a connection handle.
<a href="#">Role_Discovery</a>	The <a href="#">Role_Discovery</a> command is used for a Bluetooth device to determine which role the device is performing for a particular Connection Handle.
<a href="#">Switch_Role</a>	The <a href="#">Switch_Role</a> command is used for a Bluetooth device switch the current role the device is performing for a particular connection with the specified Bluetooth device



Command	Command Summary Description
<a href="#">Read_Link_Policy_Settings</a>	The <a href="#">Read_Link_Policy_Settings</a> command will read the Link Policy settings for the specified Connection Handle. The Link Policy settings allow the Host to specify which Link Modes the LM can use for the specified Connection Handle.
<a href="#">Write_Link_Policy_Settings</a>	The <a href="#">Write_Link_Policy_Settings</a> command will write the Link Policy settings for the specified Connection Handle. The Link Policy settings allow the Host to specify which Link Modes the LM can use for the specified Connection Handle.

### 4.6.1 Hold\_Mode

Command	OCF	Command Parameters	Return Parameters
HCI_Hold_Mode	0x0001	Connection_Handle, Hold_Mode_Max_Interval, Hold_Mode_Min_Interval	

#### Description:

The Hold\_Mode command is used to alter the behavior of the Link Manager, and have it place the ACL baseband connection associated by the specified Connection Handle into the hold mode. The Hold\_Mode\_Max\_Interval and Hold\_Mode\_Min\_Interval command parameters specify the length of time the Host wants to put the connection into the hold mode. The local and remote devices will negotiate the length in the hold mode. The Hold\_Mode\_Max\_Interval parameter is used to specify the maximum length of the Hold interval for which the Host may actually enter into the hold mode after negotiation with the remote device. The Hold interval defines the amount of time between when the Hold Mode begins and when the Hold Mode is completed. The Hold\_Mode\_Min\_Interval parameter is used to specify the minimum length of the Hold interval for which the Host may actually enter into the hold mode after the negotiation with the remote device. Therefore the Hold\_Mode\_Min\_Interval cannot be greater than the Hold\_Mode\_Max\_Interval. The Host Controller will return the actual Hold interval in the Interval parameter of the Mode Change event, if the command is successful. This command enables the Host to support a low-power policy for itself or several other Bluetooth devices, and allows the devices to enter Inquiry Scan, Page Scan, and a number of other possible actions.

Note: the connection handle cannot be of the SCO link type.

#### Command Parameters:

*Connection\_Handle:* *Size: 2 Bytes (12 Bits meaningful)*

Value	Parameter Description
0xXXXX	Connection Handle to be used to identify a connection. Range: 0x0000-0x0EFF (0x0F00 - 0x0FFF Reserved for future use)

*Hold\_Mode\_Max\_Interval:* *Size: 2 Bytes*

Value	Parameter Description
N = 0xXXXX	Maximum acceptable number of Baseband slots to wait in Hold Mode. Time Length of the Hold = N * 0.625 msec (1 Baseband slot) Range for N: 0x0001-0xFFFF Time Range: 0.625ms - 40.9 sec

*Hold\_Mode\_Min\_Interval:**Size: 2 Bytes*

Value	Parameter Description
N = 0xXXXX	Minimum acceptable number of Baseband slots to wait in Hold Mode. Time Length of the Hold = N * 0.625 msec (1 Baseband slot) Range for N: 0x0001-0xFFFF Time Range: 0.625 msec - 40.9 sec

**Return Parameters:**

None.

**Event(s) generated (unless masked away):**

The Host Controller sends the Command Status event for this command to the Host when it has received the Hold\_Mode command. The Mode Change event will occur when the Hold Mode has started and the Mode Change event will occur again when the Hold Mode has completed for the specified connection handle. The Mode Change event signaling the end of the Hold Mode is an estimation of the hold mode ending if the event is for a remote Bluetooth device. Note: no Command Complete event will be sent by the Host Controller to indicate that this command has been completed. Instead, only the Mode Change event will indicate that this command has been completed. If an error occurs after the Command Status event has occurred, then the status in the Mode Change event will indicate the error.

### 4.6.2 Sniff\_Mode

Command	OCF	Command Parameters	Return Parameters
HCI_Sniff_Mode	0x0003	Connection_Handle, Sniff_Max_Interval, Sniff_Min_Interval, Sniff_Attempt, Sniff_Timeout	

#### Description:

The Sniff Mode command is used to alter the behavior of the Link Manager and have it place the ACL baseband connection associated with the specified Connection Handle into the sniff mode. The Connection\_Handle command parameter is used to identify which ACL link connection is to be placed in sniff mode. The Sniff\_Max\_Interval and Sniff\_Min\_Interval command parameters are used to specify the requested acceptable maximum and minimum periods in the Sniff Mode. The Sniff\_Min\_Interval cannot be greater than the Sniff\_Max\_Interval. The sniff interval defines the amount of time between each consecutive sniff period. The Host Controller will return the actual sniff interval in the Interval parameter of the Mode Change event, if the command is successful. The slave will listen at the end of every actual sniff interval, for the period specified by the Sniff\_Attempt command parameter. The slave will continue listening for packets for an additional period specified by Sniff\_Timeout, as long as it is receiving packets. This command enables the Host to support a low-power policy for itself or several other Bluetooth devices, and allows the devices to enter Inquiry Scan, Page Scan, and a number of other possible actions.

Note: in addition, the connection handle cannot be one of SCO link type.

#### Command Parameters:

*Connection\_Handle:* *Size: 2 Bytes (12 Bits meaningful)*

Value	Parameter Description
0xXXXX	Connection Handle to be used to identify a connection. Range: 0x0000-0x0EFF (0x0F00 - 0x0FFF Reserved for future use)

*Sniff\_Max\_Interval:* *Size: 2 Byte*

Value	Parameter Description
N = 0xXXXX	Maximum acceptable number of Baseband slots between each sniff period. (Sniff_Max_Interval >= Sniff_Min_Interval) Length = N * 0.625 msec (1 Baseband slot) Range for N: 0x0001 – 0xFFFF Time Range: 0.625 msec - 40.9 Seconds

*Sniff\_Min\_Interval:**Size: 2 Byte*

Value	Parameter Description
N = 0xXXXX	Minimum acceptable number of Baseband slots between each sniff period. (Sniff_Max_Interval >= Sniff_Min_Interval) Length = N * 0.625 msec (1 Baseband slot) Range for N: 0x0001 – 0xFFFF Time Range: 0.625 msec - 40.9 Seconds

*Sniff\_Attempt:**Size: 2 Byte*

Value	Parameter Description
N = 0xXXXX	Number of Baseband slots for sniff attempt. Length = N * 0.625 msec (1 Baseband slot) Range for N: 0x0001 – 0xFFFF Time Range: 0.625 msec - 40.9 Seconds

*Sniff\_Timeout:**Size: 2 Byte*

Value	Parameter Description
N = 0xXXXX	Number of Baseband slots for sniff timeout. Length = N * 0.625 msec (1 Baseband slot) Range for N: 0x0001 – 0xFFFF Time Range: 0.625 msec - 40.9 Seconds

**Return Parameters:**

None.

**Event(s) generated (unless masked away):**

The Host Controller sends the Command Status event for this command to the Host when it has received the Sniff\_Mode command. The Mode Change event will occur when the Sniff Mode has started for the specified connection handle. Note: no Command Complete event will be sent by the Host Controller to indicate that this command has been completed. Instead only the Mode Change event will indicate that this command has been completed. If an error occurs after the Command Status event has occurred, then the status in the Mode Change event will indicate the error.

### 4.6.3 Exit\_Sniff\_Mode

Command	OCF	Command Parameters	Return Parameters
HCI_Exit_Sniff_Mode	0x0004	Connection_Handle	

#### Description:

The Exit\_Sniff\_Mode command is used to end the sniff mode for a connection handle, which is currently in sniff mode. The Link Manager will determine and issue the appropriate LMP commands to remove the sniff mode for the associated Connection Handle.

Note: in addition, the connection handle cannot be one of SCO link type.

#### Command Parameters:

*Connection\_Handle:* *Size: 2 Bytes (12 Bits meaningful)*

Value	Parameter Description
0xXXXX	Connection Handle to be used to identify a connection. Range: 0x0000-0x0EFF (0x0F00 - 0x0FFF Reserved for future use)

#### Return Parameters:

None.

#### Event(s) generated (unless masked away):

A Command Status event for this command will occur when Host Controller has received the Exit\_Sniff\_Mode command. The Mode Change event will occur when the Sniff Mode has ended for the specified connection handle.

Note: no Command Complete event will be sent by the Host Controller to indicate that this command has been completed. Instead, only the Mode Change event will indicate that this command has been completed.

### 4.6.4 Park\_Mode

Command	OCF	Command Parameters	Return Parameters
HCI_Park_Mode	0x0005	Connection_Handle, Beacon_Max_Interval, Beacon_Min_Interval	

**Description:**

The Park Mode command is used to alter the behavior of the Link Manager, and have the LM place the baseband connection associated by the specified Connection Handle into the Park mode. The Connection\_Handle command parameter is used to identify which connection is to be placed in Park mode. The Connection\_Handle must be a Connection\_Handle for an ACL connection. The Beacon Interval command parameters specify the acceptable length of the interval between beacons. However, the remote device may request shorter interval. The Beacon\_Max\_Interval parameter specifies the acceptable longest length of the interval between beacons. The Beacon\_Min\_Interval parameter specifies the acceptable shortest length of the interval between beacons. Therefore, the Beacon Min Interval cannot be greater than the Beacon Max Interval. The Host Controller will return the actual Beacon interval in the Interval parameter of the Mode Change event, if the command is successful. This command enables the Host to support a low-power policy for itself or several other Bluetooth devices, allows the devices to enter Inquiry Scan, Page Scan, provides support for large number of Bluetooth Devices in a single piconet, and a number of other possible activities.

**Command Parameters:**

*Connection\_Handle:* *Size: 2 Bytes (12 Bits meaningful)*

Value	Parameter Description
0xXXXX	Connection Handle to be used to identify a connection. Range: 0x0000-0x0EFF (0x0F00 - 0x0FFF Reserved for future use)

*Beacon\_Max\_Interval:* *Size: 2 Bytes*

Value	Parameter Description
N = 0xXXXX	Maximum acceptable number of Baseband slots between consecutive beacons. Interval Length = N * 0.625 msec (1 Baseband slot) Range for N: 0x0001 – 0xFFFF Time Range: 0.625 msec - 40.9 Seconds

*Beacon\_Min\_Interval*

Size: 2 Bytes

Value	Parameter Description
N = 0xXXXX	Minimum acceptable number of Baseband slots between consecutive beacons Interval Length = N * 0.625 msec (1 Baseband slot) Range for N: 0x0001 – 0xFFFF Time Range: 0.625 msec - 40.9 Seconds

**Return Parameters:**

None.

**Event(s) generated (unless masked away):**

The Host Controller sends the Command Status event for this command to the Host when it has received the Park\_Mode command. The Mode Change event will occur when the Park Mode has started for the specified connection handle. Note: no Command Complete event will be sent by the Host Controller to indicate that this command has been completed. Instead, only the Mode Change event will indicate that this command has been completed. If an error occurs after the Command Status event has occurred, then the status in the Mode Change event will indicate the error.



#### 4.6.5 Exit\_Park\_Mode

Command	OCF	Command Parameters	Return Parameters
HCI_Exit_Park_Mode	0x0006	Connection_Handle	

##### Description:

The Exit\_Park\_Mode command is used to switch the Bluetooth device from park mode back to active mode. This command may only be issued when the device associated with the specified Connection\_Handle is in Park Mode. The Connection\_Handle must be a Connection\_Handle for an ACL connection. This function does not complete immediately.

##### Command Parameters:

*Connection\_Handle:*

*Size: 2 Bytes (12 Bits meaningful)*

Value	Parameter Description
0xXXXX	Connection Handle to be used to identify a connection. Range: 0x0000-0x0EFF (0x0F00 - 0x0FFF Reserved for future use)

##### Return Parameters:

None.

##### Event(s) generated (unless masked away):

A Command Status event for this command will occur when the Host Controller has received the Exit\_Park\_Mode command. The Mode Change event will occur when the Park Mode has ended for the specified connection handle. Note: no Command Complete event will be sent by the Host Controller to indicate that this command has been completed. Instead, only the Mode Change event will indicate that this command has been completed.

### 4.6.6 QoS\_Setup

Command	OCF	Command Parameters	Return Parameters
HCI_QoS_Setup	0x0007	Connection_Handle, Flags, Service_Type, Token_Rate, Peak_Bandwidth, Latency, Delay_Variation	

#### Description:

The QoS\_Setup command is used to specify Quality of Service parameters for a connection handle. The Connection\_Handle must be a Connection\_Handle for an ACL connection. These QoS parameter are the same parameters as L2CAP QoS. For more detail see [“Logical Link Control and Adaptation Protocol Specification” on page 245](#). This allows the Link Manager to have all of the information about what the Host is requesting for each connection. The LM will determine if the QoS parameters can be met. Bluetooth devices that are both slaves and masters can use this command. When a device is a slave, this command will trigger an LMP request to the master to provide the slave with the specified QoS as determined by the LM. When a device is a master, this command is used to request a slave device to accept the specified QoS as determined by the LM of the master. The Connection\_Handle command parameter is used to identify for which connection the QoS request is requested.

#### Command Parameters:

*Connection\_Handle:* *Size: 2 Bytes (12 Bits meaningful)*

Value	Parameter Description
0xXXXX	Connection Handle to be used to identify which connection for the QoS Setup. Range: 0x0000-0x0EFF (0x0F00 - 0x0FFF Reserved for future use)

*Flags:* *Size: 1 Byte*

Value	Parameter Description
0x00 – 0xFF	Reserved for Future Use.

*Service\_Type:**Size: 1 Byte*

Value	Parameter Description
0x00	No Traffic.
0x01	Best Effort.
0x02	Guaranteed.
0x03-0xFF	Reserved for Future Use.

*Token\_Rate:**Size: 4 Bytes*

Value	Parameter Description
0xFFFFFFFF	Token Rate in bytes per second.

*Peak\_Bandwidth:**Size: 4 Bytes*

Value	Parameter Description
0xFFFFFFFF	Peak Bandwidth in bytes per second.

*Latency:**Size: 4 Bytes*

Value	Parameter Description
0xFFFFFFFF	Latency in microseconds.

*Delay\_Variation:**Size: 4 Bytes*

Value	Parameter Description
0xFFFFFFFF	Delay Variation in microseconds.

**Return Parameters:**

None.

**Event(s) generated (unless masked away):**

When the Host Controller receives the QoS\_Setup command, the Host Controller sends the Command Status event to the Host. When the Link Manager has completed the LMP messages to establish the requested QoS parameters, the Host Controller on the local Bluetooth device will send a QoS Setup Complete event to the Host, and the event may also be generated on the remote side if there was LMP negotiation. The values of the parameters of the QoS Setup Complete event may, however, be different on the initiating and the remote side. The QoS Setup Complete event returned by the Host Controller on the local side contains the status of this command, and returned QoS parameters describing the supported QoS for the connection.

Note: No Command Complete event will be sent by the Host Controller to indicate that this command has been completed. Instead, the QoS Setup Complete event will indicate that this command has been completed.

### 4.6.7 Role\_Discovery

Command	OCF	Command Parameters	Return Parameters
HCI_Role_Discovery	0x0009	Connection_Handle	Status, Connection_Handle, Current_Role

**Description:**

The Role\_Discovery command is used for a Bluetooth device to determine which role the device is performing for a particular Connection Handle. The Connection\_Handle must be a Connection\_Handle for an ACL connection.

**Command Parameters:**

*Connection\_Handle:* *Size: 2 Bytes (12 Bits meaningful)*

Value	Parameter Description
0xXXXX	Connection Handle to be used to identify a connection. Range: 0x0000-0x0EFF (0x0F00 - 0x0FFF Reserved for future use)

**Return Parameters:**

*Status:* *Size: 1 Byte*

Value	Parameter Description
0x00	Role_Discovery command succeeded,
0x01-0xFF	Role_Discovery command failed. See <a href="#">Table 6.1 on page 745</a> for list of Error Codes.

*Connection\_Handle:* *Size: 2 Bytes (12 Bits meaningful)*

Value	Parameter Description
0xXXXX	Connection Handle to be used to identify which connection the Role_Discovery command was issued on. Range: 0x0000-0x0EFF (0x0F00 - 0x0FFF Reserved for future use)

*Current\_Role:* *Size: 1 Byte*

Value	Parameter Description
0x00	Current Role is Master for this Connection Handle.
0x01	Current Role is Slave for this Connection Handle.

**Event(s) generated (unless masked away):**

When the Role\_Discovery command has completed, a Command Complete event will be generated.

### 4.6.8 Switch\_Role

Command	OCF	Command Parameters	Return Parameters
HCI_Switch_Role	0x000B	BD_ADDR, Role	

**Description:**

The Switch\_Role command is used for a Bluetooth device to switch the current role the device is performing for a particular connection with another specified Bluetooth device. The BD\_ADDR command parameter indicates for which connection the role switch is to be performed. The Role indicates the requested new role that the local device performs.

Note: the BD\_ADDR command parameter must specify a Bluetooth device for which a connection already exists.

**Command Parameters:**

*BD\_ADDR:*

*Size: 6 Bytes*

Value	Parameter Description
0XXXXXXXXXX XX	BD_ADDR for the connected device with which a role switch is to be performed.

*Role:*

*Size: 1 Byte*

Value	Parameter Description
0x00	Change own Role to Master for this BD_ADDR.
0x01	Change own Role to Slave for this BD_ADDR.

**Return Parameters:**

None.

**Event(s) generated (unless masked away):**

A Command Status event for this command will occur when the Host Controller has received the Switch\_Role command. When the role switch is performed, a Role Change event will occur to indicate that the roles have been changed, and will be communicated to both Hosts.

Note: no Command Complete event will be sent by the Host Controller to indicate that this command has been completed. Instead, only the Role Change event will indicate that this command has been completed.

### 4.6.9 Read\_Link\_Policy\_Settings

Command	OCF	Command Parameters	Return Parameters
HCI_Read_Link_Policy_Settings	0x000C	Connection_Handle	Status, Connection_Handle Link_Policy_Settings

#### Description:

This command will read the Link Policy setting for the specified Connection Handle. The Link\_Policy\_Settings parameter determines the behavior of the local Link Manager when it receives a request from a remote device or it determines itself to change the master-slave role or to enter the hold, sniff, or park mode. The local Link Manager will automatically accept or reject such a request from the remote device, and may even autonomously request itself, depending on the value of the Link\_Policy\_Settings parameter for the corresponding Connection\_Handle. When the value of the Link\_Policy\_Settings parameter is changed for a certain Connection\_Handle, the new value will only be used for requests from a remote device or from the local Link Manager itself made after this command has been completed. The Connection\_Handle must be a Connection\_Handle for an ACL connection. By enabling each mode individually, the Host can choose any combination needed to support various modes of operation. Multiple LM policies may be specified for the Link\_Policy\_Settings parameter by performing a bitwise OR operation of the different activity types.

#### Command Parameters:

*Connection\_Handle:* *Size: 2 Bytes (12 Bits meaningful)*

Value	Parameter Description
0xXXXX	Connection Handle to be used to identify a connection. Range: 0x0000-0x0EFF (0x0F00 - 0x0FFF Reserved for future use)

#### Return Parameters:

*Status:* *Size: 1 Byte*

Value	Parameter Description
0x00	Read_Link_Policy_Settings command succeeded.
0x01-0xFF	Read_Link_Policy_Settings command failed. See <a href="#">Table 6.1 on page 745</a> for list of Error Codes.

*Connection\_Handle:**Size: 2 Bytes (12 Bits meaningful)*

Value	Parameter Description
0xXXXX	Connection Handle to be used to identify a connection. Range: 0x0000-0x0EFF (0x0F00 - 0x0FFF Reserved for future use)

*Link\_Policy\_Settings**Size: 2 Bytes*

Value	Parameter Description
0x0000	Disable All LM Modes.
0x0001	Enable Master Slave Switch.
0x0002	Enable Hold Mode.
0x0004	Enable Sniff Mode.
0x0008	Enable Park Mode.
0x0010	Reserved for Future Use.
–	
0x8000	

**Event(s) generated (unless masked away):**

When the Read\_Link\_Policy\_Settings command has completed, a Command Complete event will be generated.

### 4.6.10 Write\_Link\_Policy\_Settings

Command	OCF	Command Parameters	Return Parameters
HCI_Write_Link_Policy_Settings	0x000D	Connection_Handle, Link_Policy_Settings	Status, Connection_Handle

#### Description:

This command will write the Link Policy setting for the specified Connection Handle. The Link\_Policy\_Settings parameter determines the behavior of the local Link Manager when it receives a request from a remote device or it determines itself to change the master-slave role or to enter the hold, sniff, or park mode. The local Link Manager will automatically accept or reject such a request from the remote device, and may even autonomously request itself, depending on the value of the Link\_Policy\_Settings parameter for the corresponding Connection\_Handle. When the value of the Link\_Policy\_Settings parameter is changed for a certain Connection\_Handle, the new value will only be used for requests from a remote device or from the local Link Manager itself made after this command has been completed. The Connection\_Handle must be a Connection\_Handle for an ACL connection. By enabling each mode individually, the Host can choose any combination needed to support various modes of operation. Multiple LM policies may be specified for the Link\_Policy\_Settings parameter by performing a bitwise OR operation of the different activity types.

#### Command Parameters:

*Connection\_Handle:* *Size: 2 Bytes (12 Bits meaningful)*

Value	Parameter Description
0xXXXX	Connection Handle to be used to identify a connection. Range: 0x0000-0x0EFF (0x0F00 - 0x0FFF Reserved for future use)



*Link\_Policy\_Settings**Size: 2 Bytes*

Value	Parameter Description
0x0000	Disable All LM Modes <b>Default.</b>
0x0001	Enable Master Slave Switch.
0x0002	Enable Hold Mode.
0x0004	Enable Sniff Mode.
0x0008	Enable Park Mode.
0x0010	Reserved for Future Use.
–	
0x8000	

**Return Parameters:***Status:**Size: 1 Byte*

Value	Parameter Description
0x00	Write_Link_Policy_Settings command succeeded.
0x01-0xFF	Write_Link_Policy_Settings command failed. See <a href="#">Table 6.1 on page 745</a> for list of Error Codes.

*Connection\_Handle:**Size: 2 Bytes (12 Bits meaningful)*

Value	Parameter Description
0xXXXX	Connection Handle to be used to identify a connection. Range: 0x0000-0x0EFF (0x0F00 - 0x0FFF Reserved for future use)

**Event(s) generated (unless masked away):**

When the Write\_Link\_Policy\_Settings command has completed, a Command Complete event will be generated.

## 4.7 HOST CONTROLLER & BASEBAND COMMANDS

The Host Controller & Baseband Commands provide access and control to various capabilities of the Bluetooth hardware. These parameters provide control of Bluetooth devices and of the capabilities of the Host Controller, Link Manager, and Baseband. The host device can use these commands to modify the behavior of the local device. For the HCI Control and Baseband Commands, the OGF is defined as 0x03

Command	Command Summary Description
<a href="#">Set_Event_Mask</a>	The <a href="#">Set_Event_Mask</a> command is used to control which events are generated by the HCI for the Host.
<a href="#">Reset</a>	The <a href="#">Reset</a> command will reset the Bluetooth Host Controller, Link Manager, and the radio module.
<a href="#">Set_Event_Filter</a>	The <a href="#">Set_Event_Filter</a> command is used by the Host to specify different event filters. The Host may issue this command multiple times to request various conditions for the same type of event filter and for different types of event filters.
<a href="#">Flush</a>	The <a href="#">Flush</a> command is used to discard all data that is currently pending for transmission in the Host Controller for the specified connection handle, even if there currently are chunks of data that belong to more than one L2CAP packet in the Host Controller.
<a href="#">Read_PIN_Type</a>	The <a href="#">Read_PIN_Type</a> command is used for the Host to read the value that is specified to indicate whether the Host supports variable PIN or only fixed PINs.
<a href="#">Write_PIN_Type</a>	The <a href="#">Write_PIN_Type</a> command is used for the Host to specify whether the Host supports variable PIN or only fixed PINs.
<a href="#">Create_New_Unit_Key</a>	The <a href="#">Create_New_Unit_Key</a> command is used to create a new unit key.
<a href="#">Read_Stored_Link_Key</a>	The <a href="#">Read_Stored_Link_Key</a> command provides the ability to read one or more link keys stored in the Bluetooth Host Controller.
<a href="#">Write_Stored_Link_Key</a>	The <a href="#">Write_Stored_Link_Key</a> command provides the ability to write one or more link keys to be stored in the Bluetooth Host Controller.

Command	Command Summary Description
<a href="#">Delete_Stored_Link_Key</a>	The <a href="#">Delete_Stored_Link_Key</a> command provides the ability to remove one or more of the link keys stored in the Bluetooth Host Controller.
<a href="#">Change_Local_Name</a>	The <a href="#">Change_Local_Name</a> command provides the ability to modify the user-friendly name for the Bluetooth device.
<a href="#">Read_Local_Name</a>	The <a href="#">Read_Local_Name</a> command provides the ability to read the stored user-friendly name for the Bluetooth device.
<a href="#">Read_Connection_Accept_Timeout</a>	The <a href="#">Read_Connection_Accept_Timeout</a> command will read the value for the <a href="#">Connection_Accept_Timeout</a> configuration parameter, which allows the Bluetooth hardware to automatically deny a connection request after a specified period has occurred, and to refuse a new connection.
<a href="#">Write_Connection_Accept_Timeout</a>	The <a href="#">Write_Connection_Accept_Timeout</a> will write the value for the <a href="#">Connection_Accept_Timeout</a> configuration parameter, which allows the Bluetooth hardware to automatically deny a connection request after a specified period has occurred, and to refuse a new connection.
<a href="#">Read_Page_Timeout</a>	The <a href="#">Read_Page_Timeout</a> command will read the value for the <a href="#">Page_Reply_Timeout</a> configuration parameter, which allows the Bluetooth hardware to define the amount of time a connection request will wait for the remote device to respond before the local device returns a connection failure.
<a href="#">Write_Page_Timeout</a>	The <a href="#">Write_Page_Timeout</a> command will write the value for the <a href="#">Page_Reply_Timeout</a> configuration parameter, which allows the Bluetooth hardware to define the amount of time a connection request will wait for the remote device to respond before the local device returns a connection failure.
<a href="#">Read_Scan_Enable</a>	The <a href="#">Read_Scan_Enable</a> command will read the value for the <a href="#">Scan_Enable</a> configuration parameter, which controls whether or not the Bluetooth device will periodically scan for page attempts and/or inquiry requests from other Bluetooth devices.

Command	Command Summary Description
Write_Scan_Enable	The <a href="#">Write_Scan_Enable</a> command will write the value for the Scan_Enable configuration parameter, which controls whether or not the Bluetooth device will periodically scan for page attempts and/or inquiry requests from other Bluetooth devices.
Read_Page_Scan_Activity	The <a href="#">Read_Page_Scan_Activity</a> command will read the values for the Page_Scan_Interval and Page_Scan_Window configuration parameters. Page_Scan_Interval defines the amount of time between consecutive page scans. Page_Scan_Window defines the duration of the page scan.
Write_Page_Scan_Activity	The <a href="#">Write_Page_Scan_Activity</a> command will write the value for Page_Scan_Interval and Page_Scan_Window configuration parameters. Page_Scan_Interval defines the amount of time between consecutive page scans. Page_Scan_Window defines the duration of the page scan.
Read_Inquiry_Scan_Activity	The <a href="#">Read_Inquiry_Scan_Activity</a> command will read the value for Inquiry_Scan_Interval and Inquiry_Scan_Window configuration parameters. Inquiry_Scan_Interval defines the amount of time between consecutive inquiry scans. Inquiry_Scan_Window defines the amount of time for the duration of the inquiry scan.
Write_Inquiry_Scan_Activity	The <a href="#">Write_Inquiry_Scan_Activity</a> command will write the value for Inquiry_Scan_Interval and Inquiry_Scan_Window configuration parameters. Inquiry_Scan_Interval defines the amount of time between consecutive inquiry scans. Inquiry_Scan_Window defines the amount of time for the duration of the inquiry scan.
Read_Authentication_Enable	The <a href="#">Read_Authentication_Enable</a> command will read the value for the Authentication_Enable parameter, which controls whether the Bluetooth device will require authentication for each connection with other Bluetooth devices.
Write_Authentication_Enable	The <a href="#">Write_Authentication_Enable</a> command will write the value for the Authentication_Enable parameter, which controls whether the Bluetooth device will require authentication for each connection with other Bluetooth devices.
Read_Encryption_Mode	The <a href="#">Read_Encryption_Mode</a> command will read the value for the Encryption_Mode parameter, which controls whether the Bluetooth device will require encryption for each connection with other Bluetooth devices.

Command	Command Summary Description
<a href="#">Write_Encryption_Mode</a>	The <a href="#">Write_Encryption_Mode</a> command will write the value for the Encryption_Mode parameter, which controls whether the Bluetooth device will require encryption for each connection with other Bluetooth devices.
<a href="#">Read_Class_of_Device</a>	The <a href="#">Read_Class_of_Device</a> command will read the value for the Class_of_Device parameter, which is used to indicate its capabilities to other devices.
<a href="#">Write_Class_of_Device</a>	The <a href="#">Write_Class_of_Device</a> command will write the value for the Class_of_Device parameter, which is used to indicate its capabilities to other devices.
<a href="#">Read_Voice_Setting</a>	The <a href="#">Read_Voice_Setting</a> command will read the values for the Voice_Setting parameter, which controls all the various settings for the voice connections.
<a href="#">Write_Voice_Setting</a>	The <a href="#">Write_Voice_Setting</a> command will write the values for the Voice_Setting parameter, which controls all the various settings for the voice connections.
<a href="#">Read_Automatic_Flush_Timeout</a>	The <a href="#">Read_Automatic_Flush_Timeout</a> will read the value for the Flush_Timeout parameter for the specified connection handle. The Flush_Timeout parameter is only used for ACL connections.
<a href="#">Write_Automatic_Flush_Timeout</a>	The <a href="#">Write_Automatic_Flush_Timeout</a> will write the value for the Flush_Timeout parameter for the specified connection handle. The Flush_Timeout parameter is only used for ACL connections.
<a href="#">Read_Num_Broadcast_Retransmissions</a>	The <a href="#">Read_Num_Broadcast_Retransmissions</a> command will read the parameter value for the Number of Broadcast Retransmissions for the device. Broadcast packets are not acknowledged and are unreliable. This parameter is used to increase the reliability of a broadcast message by retransmitting the broadcast message multiple times.
<a href="#">Write_Num_Broadcast_Retransmissions</a>	The <a href="#">Write_Num_Broadcast_Retransmissions</a> command will write the parameter value for the Number of Broadcast Retransmissions for the device. Broadcast packets are not acknowledged and are unreliable. This parameter is used to increase the reliability of a broadcast message by retransmitting the broadcast message multiple times.

Command	Command Summary Description
Read_Hold_Mode_Activity	The <a href="#">Read_Hold_Mode_Activity</a> command will read the value for the Hold_Mode_Activity parameter. This value is used to determine what activity the device should do when it is in hold mode.
Write_Hold_Mode_Activity	The <a href="#">Write_Hold_Mode_Activity</a> command will write the value for the Hold_Mode_Activity parameter. This value is used to determine what activity the device should do when it is in hold mode.
Read_Transmit_Power_Level	The <a href="#">Read_Transmit_Power_Level</a> command will read the values for the Transmit_Power_Level parameter for the specified Connection Handle.
Read_SCO_Flow_Control_Enable	The <a href="#">Read_SCO_Flow_Control_Enable</a> command provides the ability to read the SCO_Flow_Control_Enable setting. By using this setting, the Host can decide if the Host Controller will send Number Of Completed Packets events for SCO Connection Handles.
Write_SCO_Flow_Control_Enable	The <a href="#">Write_SCO_Flow_Control_Enable</a> command provides the ability to write the SCO_Flow_Control_Enable setting. By using this setting, the Host can decide if the Host Controller will send Number Of Completed Packets events for SCO Connection Handles.
Set_Host_Controller_To_Host_Flow_Control	The <a href="#">Set_Host_Controller_To_Host_Flow_Control</a> command is used by the Host to turn flow control on or off in the direction from the Host Controller to the Host.
Host_Buffer_Size	The <a href="#">Host_Buffer_Size</a> command is used by the Host to notify the Host Controller about its buffer sizes for ACL and SCO data. The Host Controller will segment the data to be transmitted from the Host Controller to the Host, so that data contained in HCI Data Packets will not exceed these sizes.
Host_Number_Of_Completed_Packets	The <a href="#">Host_Number_Of_Completed_Packets</a> command is used by the Host to indicate to the Host Controller when the Host is ready to receive more HCI packets for any connection handle.
Read_Link_Supervision_Timeout	The <a href="#">Read_Link_Supervision_Timeout</a> command will read the value for the Link_Supervision_Timeout parameter for the device. This parameter is used by the master or slave Bluetooth device to monitor link loss.

Command	Command Summary Description
<a href="#">Write_Link_Supervision_Timeout</a>	The <a href="#">Write_Link_Supervision_Timeout</a> command will write the value for the Link_Supervision_Timeout parameter for the device. This parameter is used by the master or slave Bluetooth device to monitor link loss.
<a href="#">Read_Number_Of_Supported_IAC</a>	The <a href="#">Read_Number_Of_Supported_IAC</a> command will read the value for the number of Inquiry Access Codes (IAC) that the local Bluetooth device can simultaneously listen for during an Inquiry Scan.
<a href="#">Read_Current_IAC_LAP</a>	The <a href="#">Read_Current_IAC_LAP</a> command will read the LAP(s) used to create the Inquiry Access Codes (IAC) that the local Bluetooth device is simultaneously scanning for during Inquiry Scans.
<a href="#">Write_Current_IAC_LAP</a>	The <a href="#">Write_Current_IAC_LAP</a> will write the LAP(s) used to create the Inquiry Access Codes (IAC) that the local Bluetooth device is simultaneously scanning for during Inquiry Scans.
<a href="#">Read_Page_Scan_Period_Mode</a>	The <a href="#">Read_Page_Scan_Period_Mode</a> command is used to read the mandatory Page_Scan_Period_Mode of the local Bluetooth device.
<a href="#">Write_Page_Scan_Period_Mode</a>	The <a href="#">Write_Page_Scan_Period_Mode</a> command is used to write the mandatory Page_Scan_Period_Mode of the local Bluetooth device.
<a href="#">Read_Page_Scan_Mode</a>	The <a href="#">Read_Page_Scan_Mode</a> command is used to read the default Page_Scan_Mode of the local Bluetooth device.
<a href="#">Write_Page_Scan_Mode</a>	The <a href="#">Write_Page_Scan_Mode</a> command is used to write the default Page_Scan_Mode of the local Bluetooth device.

### 4.7.1 Set\_Event\_Mask

Command	OCF	Command Parameters	Return Parameters
HCI_Set_Event_Mask	0x0001	Event_Mask	Status

**Description:**

The Set\_Event\_Mask command is used to control which events are generated by the HCI for the Host. If the bit in the Event\_Mask is set to a one, then the event associated with that bit will be enabled. The Host has to deal with each event that occurs by the Bluetooth devices. The event mask allows the Host to control how much it is interrupted.

Note: the Command Complete event, Command Status event and Number Of Completed Packets event cannot be masked. These events always occur. The Event\_Mask is a bit mask of all of the events specified in [Table 5.1 on page 703](#).

**Command Parameters:**

*Event\_Mask:*

*Size: 8 Bytes*

Value	Parameter Description
0x0000000000000000	No events specified
0x0000000000000001	Inquiry Complete event
0x0000000000000002	Inquiry Result event
0x0000000000000004	Connection Complete event
0x0000000000000008	Connection Request event
0x0000000000000010	Disconnection Complete event
0x0000000000000020	Authentication Complete event
0x0000000000000040	Remote Name Request Complete event
0x0000000000000080	Encryption Change event
0x0000000000000100	Change Connection Link Key Complete event
0x0000000000000200	Master Link Key Complete event
0x0000000000000400	Read Remote Supported Features Complete event
0x0000000000000800	Read Remote Version Information Complete event
0x0000000000001000	QoS Setup Complete event
0x0000000000002000	Command Complete event
0x0000000000004000	Command Status event



0x00000000000008000	Hardware Error event
0x00000000000010000	Flush Occurred event
0x00000000000020000	Role Change event

Value	Parameter Description
0x00000000000040000	Number Of Completed Packets event
0x00000000000080000	Mode Change event
0x00000000000100000	Return Link Keys event
0x00000000000200000	PIN Code Request event
0x00000000000400000	Link Key Request event
0x00000000000800000	Link Key Notification event
0x00000000010000000	Loopback Command event
0x00000000020000000	Data Buffer Overflow event
0x00000000040000000	Max Slots Change event
0x00000000080000000	Read Clock Offset Complete event
0x00000000100000000	Connection Packet Type Changed event
0x00000000200000000	QoS Violation event
0x00000000400000000	Page Scan Mode Change event
0x00000000800000000	Page Scan Repetition Mode Change event
0x00000001000000000 to 0x80000000000000000	Reserved for future use
0x00000000FFFFFFFFF	<b>Default</b> (All events enabled)

**Return Parameters:**

Status:

Size: 1 Byte

Value	Parameter Description
0x00	Set_Event_Mask command succeeded.
0x01-0xFF	Set_Event_Mask command failed. See <a href="#">Table 6.1 on page 745</a> for list of Error Codes.

**Event(s) generated (unless masked away):**

When the Set\_Event\_Mask command has completed, a Command Complete event will be generated.

### 4.7.2 Reset

Command	OCF	Command Parameters	Return Parameters
HCI_Reset	0x0003		Status

#### Description:

The Reset command will reset the Bluetooth Host Controller, Link Manager, and the radio module. The current operational state will be lost, and all queued packets will be lost. After the reset is completed, the Bluetooth device will enter standby mode.

Note: after the reset has completed, the Host Controller will automatically revert to the default values for the parameters for which default values are defined in this specification.

#### Command Parameters:

None.

#### Return Parameters:

*Status:*

*Size: 1 Byte*

Value	Parameter Description
0x00	Reset command succeeded, was received and will be executed.
0x01-0xFF	Reset command failed. See <a href="#">Table 6.1 on page 745</a> for list of Error Codes.

#### Event(s) generated (unless masked away):

Before the Reset command will be executed, a Command Complete event needs to be returned to indicate to the Host that the Reset command was received and will be executed.

### 4.7.3 Set\_Event\_Filter

Command	OCF	Command Parameters	Return Parameters
HCI_Set_Event_Filter	0x0005	Filter_Type, Filter_Condition_Type, Condition	Status

#### Description:

The Set\_Event\_Filter command is used by the Host to specify different event filters. The Host may issue this command multiple times to request various conditions for the same type of event filter and for different types of event filters. The event filters are used by the Host to specify items of interest, which allow the Host Controller to send only events which interest the Host. Only some of the events have event filters. By default (before this command has been issued after power-on or Reset) no filters are set, and the Auto\_Accept\_Flag is off (incoming connections are not automatically accepted). An event filter is added each time this command is sent from the Host and the Filter\_Condition\_Type is not equal to 0x00. (The old event filters will not be overwritten). To clear all event filters, the Filter\_Type = 0x00 is used. The Auto\_Accept\_Flag will then be set to off.

To clear event filters for only a certain Filter\_Type, the Filter\_Condition\_Type = 0x00 is used. The Inquiry Result filter allows the Host Controller to filter out Inquiry Result events. The Inquiry Result filter allows the Host to specify that the Host Controller only sends Inquiry Results to the Host if the Inquiry Result event meets one of the specified conditions set by the Host. For the Inquiry Result filter, the Host can specify one or more of the following Filter Condition Types:

1. A new device responded to the Inquiry process
2. A device with a specific Class of Device responded to the Inquiry process
3. A device with a specific BD\_ADDR responded to the Inquiry process

The Inquiry Result filter is used in conjunction with the Inquiry and Periodic Inquiry command. The Connection Setup filter allows the Host to specify that the Host Controller only sends a Connection Complete or Connection Request event to the Host if the event meets one of the specified conditions set by the Host. For the Connection Setup filter, the Host can specify one or more of the following Filter Condition Types:

1. Allow Connections from all devices
2. Allow Connections from a device with a specific Class of Device
3. Allow Connections from a device with a specific BD\_ADDR

For each of these conditions, an `Auto_Accept_Flag` parameter allows the Host to specify what action should be done when the condition is met. The `Auto_Accept_Flag` allows the Host to specify if the incoming connection should be auto accepted (in which case the Host Controller will send the `Connection Complete` event to the Host when the connection is completed) or if the Host should make the decision (in which case the Host Controller will send the `Connection Request` event to the Host, to elicit a decision on the connection).

The `Connection Setup` filter is used in conjunction with the `Read/Write_Scan_Enable` commands. If the local device is in the process of a page scan, and is paged by another device which meets one on the conditions set by the Host, and the `Auto_Accept_Flag` is off for this device, then a `Connection Request` event will be sent to the Host by the Host Controller. A `Connection Complete` event will be sent later on after the Host has responded to the incoming connection attempt. In this same example, if the `Auto_Accept_Flag` is on, then a `Connection Complete` event will be sent to the Host by the Host Controller. (No `Connection Request` event will be sent in that case.)

The Host Controller will store these filters in volatile memory until the Host clears the event filters using the `Set_Event_Filter` command or until the `Reset` command is issued. The number of event filters the Host Controller can store is implementation dependent. If the Host tries to set more filters than the Host Controller can store, the Host Controller will return the "Memory Full" error code and the filter will not be installed.

Note: the `Clear All Filters` has no `Filter Condition Types` or `Conditions`.

Note: In the condition that a connection is auto accepted, a `Link Key Request` event and possibly also a `PIN Code Request` event and a `Link Key Notification` event could be sent to the Host by the Host Controller before the `Connection Complete` event is sent.

If there is a contradiction between event filters, the latest set event filter will override older ones. An example is an incoming connection attempt where more than one `Connection Setup` filter matches the incoming connection attempt, but the `Auto-Accept_Flag` has different values in the different filters.

**Command Parameters:**

*Filter\_Type:*

*Size: 1 Byte*

Value	Parameter Description
0x00	Clear All Filters (Note: In this case, the Filter_Condition_type and Condition parameters should not be given, they should have a length of 0 bytes. Filter_Type should be the only parameter.)
0x01	Inquiry Result.
0x02	Connection Setup.
0x03-0xFF	Reserved for Future Use.

*Filter Condition Types: For each Filter Type one or more Filter Condition types exists.*

*Inquiry\_Result\_Filter\_Condition\_Type:*

*Size: 1 Byte*

Value	Parameter Description
0x00	A new device responded to the Inquiry process. (Note: A device may be reported to the Host in an Inquiry Result event more than once during an inquiry or inquiry period depending on the implementation, see description in <a href="#">Section 4.5.1 on page 542</a> and <a href="#">Section 4.5.3 on page 545</a> )
0x01	A device with a specific Class of Device responded to the Inquiry process.
0x02	A device with a specific BD_ADDR responded to the Inquiry process.
0x03-0xFF	Reserved for Future Use

*Connection\_Setup\_Filter\_Condition\_Type:*

*Size: 1 Byte*

Value	Parameter Description
0x00	Allow Connections from all devices.
0x01	Allow Connections from a device with a specific Class of Device.
0x02	Allow Connections from a device with a specific BD_ADDR.
0x03-0xFF	Reserved for Future Use.

*Condition: For each Filter Condition Type defined for the Inquiry Result Filter and the Connection Setup Filter, zero or more Condition parameters are required – depending on the filter condition type and filter type.*

*Condition for Inquiry\_Result\_Filter\_Condition\_Type = 0x00*

*Condition:*

*Size: 0 Byte*

Value	Parameter Description
	The Condition parameter is not used.

*Condition for Inquiry\_Result\_Filter\_Condition\_Type = 0x01*

**Condition:**

Size: 6 Bytes

*Class\_of\_Device:*

*Size: 3 Bytes*

Value	Parameter Description
0x000000	Default, Return All Devices.
0xXXXXXX	Class of Device of Interest.

*Class\_of\_Device\_Mask:*

*Size: 3 Bytes*

Value	Parameter Description
0xXXXXXX	Bit Mask used to determine which bits of the Class of Device parameter are 'don't care'. Zero-value bits in the mask indicate the 'don't care' bits of the Class of Device.

*Condition for Inquiry\_Result\_Filter\_Condition\_Type = 0x02*

**Condition:**

Size: 6 Bytes

*BD\_ADDR:*

*Size: 6 Bytes*

Value	Parameter Description
0XXXXXXXXXX XX	BD_ADDR of the Device of Interest

*Condition for Connection\_Setup\_Filter\_Condition\_Type = 0x00*

**Condition:**

Size: 1 Byte

*Auto\_Accept\_Flag:*

*Size: 1 Byte*

Value	Parameter Description
0x01	Do NOT Auto accept the connection.
0x02	Do Auto accept the connection.
0x03 – 0xFF	Reserved for future use.

*Condition for Connection\_Setup\_Filter\_Condition\_Type = 0x01*

**Condition:**

Size: 7 Bytes

*Class\_of\_Device:*

*Size: 3 Bytes*

Value	Parameter Description
0x000000	Default, Return All Devices.
0xXXXXXX	<i>Class of Device of Interest.</i>

*Class\_of\_Device\_Mask:*

*Size: 3 Bytes*

Value	Parameter Description
0xXXXXXX	Bit Mask used to determine which bits of the Class of Device parameter are 'don't care'. Zero-value bits in the mask indicate the 'don't care' bits of the Class of Device.

*Auto\_Accept\_Flag:*

*Size: 1 Byte*

Value	Parameter Description
0x01	Do NOT Auto accept the connection.
0x02	Do Auto accept the connection.
0x03 – 0xFF	Reserved for future use.

*Condition for Connection\_Setup\_Filter\_Condition\_Type = 0x02*

**Condition:**

Size: 7 Bytes

*BD\_ADDR:*

*Size: 6 Bytes*

Value	Parameter Description
0XXXXXXXXXX XX	BD_ADDR of the Device of Interest.

*Auto\_Accept\_Flag:*

*Size: 1 Byte*

Value	Parameter Description
0x01	Do NOT Auto accept the connection.
0x02	Do Auto accept the connection.
0x03 – 0xFF	Reserved for future use.

**Return Parameters:***Status:**Size: 1 Byte*

Value	Parameter Description
0x00	Set_Event_Filter command succeeded.
0x01-0xFF	Set_Event_Filter command failed. See <a href="#">Table 6.1 on page 745</a> for list of Error Codes.

**Event(s) generated (unless masked away):**

A Command Complete event for this command will occur when the Host Controller has enabled the filtering of events. When one of the conditions are met, a specific event will occur.



#### 4.7.4 Flush

Command	OCF	Command Parameters	Return Parameters
HCI_Flush	0x0008	Connection_Handle	Status, Connection_Handle

##### Description:

The Flush command is used to discard all data that is currently pending for transmission in the Host Controller for the specified connection handle, even if there currently are chunks of data that belong to more than one L2CAP packet in the Host Controller. After this, all data that is sent to the Host Controller for the same connection handle will be discarded by the Host Controller until an HCI Data Packet with the start Packet\_Boundary\_Flag (0x02) is received. When this happens, a new transmission attempt can be made. This command will allow higher-level software to control how long the baseband should try to retransmit a baseband packet for a connection handle before all data that is currently pending for transmission in the Host Controller should be flushed. Note that the Flush command is used for ACL connections ONLY. In addition to the Flush command, the automatic flush timers (see [section 4.7.31 on page 647](#)) can be used to automatically flush the L2CAP packet that is currently being transmitted after the specified flush timer has expired.

##### Command Parameters:

*Connection\_Handle:*

*Size: 2 Bytes (12 Bits meaningful)*

Value	Parameter Description
0xXXXX	Connection Handle to be used to identify which connection to flush. Range: 0x0000-0x0EFF (0x0F00 - 0x0FFF Reserved for future use)

##### Return Parameters:

*Status:*

*Size: 1 Byte*

Value	Parameter Description
0x00	Flush command succeeded.
0x01-0xFF	Flush command failed. See <a href="#">Table 6.1 on page 745</a> for list of Error Codes.

*Connection\_Handle:*

*Size: 2 Bytes (12 Bits meaningful)*

Value	Parameter Description
0xXXXX	Connection Handle to be used to identify which connection the flush command was issued on. Range: 0x0000-0x0EFF (0x0F00 - 0x0FFF Reserved for future use)

**Event(s) generated (unless masked away):**

The Flush Occurred event will occur once the flush is completed. A Flush Occurred event could be from an automatic Flush or could be cause by the Host issuing the Flush command. When the Flush command has completed, a Command Complete event will be generated, to indicate that the Host caused the Flush.

### 4.7.5 Read\_PIN\_Type

Command	OCF	Command Parameters	Return Parameters
HCI_Read_PIN_Type	0x0009		Status, PIN_Type

#### Description:

The Read\_PIN\_Type command is used for the Host to read whether the Link Manager assumes that the Host supports variable PIN codes only a fixed PIN code. The Bluetooth hardware uses the PIN-type information during pairing.

#### Command Parameters:

None.

#### Return Parameters:

*Status:*

*Size: 1 Byte*

Value	Parameter Description
0x00	Read_PIN_Type command succeeded.
0x01-0xFF	Read_PIN_Type command failed. See <a href="#">Table 6.1 on page 745</a> for list of Error Codes.

*PIN\_Type:*

*Size: 1 Byte*

Value	Parameter Description
0x00	Variable PIN.
0x01	Fixed PIN.

#### Event(s) generated (unless masked away):

When the Read\_PIN\_Type command has completed, a Command Complete event will be generated.

### 4.7.6 Write\_PIN\_Type

Command	OCF	Command Parameters	Return Parameters
HCI_Write_PIN_Type	0x000A	PIN_Type	Status

#### Description:

The Write\_PIN\_Type command is used for the Host to write to the Host Controller whether the Host supports variable PIN codes or only a fixed PIN code. The Bluetooth hardware uses the PIN-type information during pairing.

#### Command Parameters:

*PIN\_Type:*

*Size: 1 Byte*

Value	Parameter Description
0x00	Variable PIN.
0x01	Fixed PIN.

#### Return Parameters:

*Status:*

*Size: 1 Byte*

Value	Parameter Description
0x00	Write PIN Type command succeeded.
0x01-0xFF	Write PIN Type command failed. See <a href="#">Table 6.1 on page 745</a> for list of Error Codes.

#### Event(s) generated (unless masked away):

When the Write\_PIN\_Type command has completed, a Command Complete event will be generated.

### 4.7.7 Create\_New\_Unit\_Key

Command	OCF	Command Parameters	Return Parameters
HCI_Create_New_Unit_Key	0x000B		Status

#### Description:

The Create\_New\_Unit\_Key command is used to create a new unit key. The Bluetooth hardware will generate a random seed that will be used to generate the new unit key. All new connection will use the new unit key, but the old unit key will still be used for all current connections.

Note: this command will not have any effect for a device which doesn't use unit keys (i.e. a device which uses only combination keys).

#### Command Parameters:

None.

#### Return Parameters:

*Status:*

*Size: 1 Byte*

Value	Parameter Description
0x00	Create New Unit Key command succeeded.
0x01-0xFF	Create New Unit Key command failed. See <a href="#">Table 6.1 on page 745</a> for list of Error Codes.

#### Event(s) generated (unless masked away):

When the Create\_New\_Unit\_Key command has completed, a Command Complete event will be generated.

### 4.7.8 Read\_Stored\_Link\_Key

Command	OCF	Command Parameters	Return Parameters
HCI_Read_Stored_Link_Key	0x000D	BD_ADDR, Read_All_Flag	Status, Max_Num_Keys, Num_Keys_Read

#### Description:

The Read\_Stored\_Link\_Key command provides the ability to read one or more link keys stored in the Bluetooth Host Controller. The Bluetooth Host Controller can store a limited number of link keys for other Bluetooth devices. Link keys are shared between two Bluetooth devices, and are used for all security transactions between the two devices. A Host device may have additional storage capabilities, which can be used to save additional link keys to be reloaded to the Bluetooth Host Controller when needed. The Read\_All\_Flag parameter is used to indicate if all of the stored Link Keys should be returned. If Read\_All\_Flag indicates that all Link Keys are to be returned, then the BD\_ADDR command parameter must be ignored. The BD\_ADDR command parameter is used to identify which link key to read. The stored Link Keys are returned by one or more Return Link Keys events.

#### Command Parameters:

*BD\_ADDR:*

*Size: 6 Bytes*

Value	Parameter Description
0XXXXXXXXXXXXX	BD_ADDR for the stored link key to be read.

*Read\_All\_Flag:*

*Size: 1 Byte*

Value	Parameter Description
0x00	Return Link Key for specified BD_ADDR.
0x01	Return all stored Link Keys.
0x02-0xFF	Reserved for future use.

#### Return Parameters:

*Status:*

*Size: 1 Byte*

Value	Parameter Description
0x00	Read_Stored_Link_Key command succeeded.
0x01-0xFF	Read_Stored_Link_Key command failed. See <a href="#">Table 6.1 on page 745</a> for list of Error Codes.

*Max\_Num\_Keys:**Size: 2 Byte*

Value	Parameter Description
0xXXXX	Maximum Number of Link Keys which the Host Controller can store. Range: 0x0000 – 0xFFFF

*Num\_Keys\_Read:**Size: 2 Bytes*

Value	Parameter Description
0xXXXX	Number of Link Keys Read. Range: 0x0000 – 0xFFFF

**Event(s) generated (unless masked away):**

Zero or more instances of the Return Link Keys event will occur after the command is issued. When there are no link keys stored, no Return Link Keys events will be returned. When there are link keys stored, the number of link keys returned in each Return Link Keys event is implementation specific. When the Read Stored Link Key command has completed a Command Complete event will be generated.

### 4.7.9 Write\_Stored\_Link\_Key

Command	OCF	Command Parameters	Return Parameters
HCI_Write_Stored_Link_Key	0x0011	Num_Keys_To_Write, BD_ADDR[i], Link_Key[i]	Status, Num_Keys_Written

#### Description:

The Write\_Stored\_Link\_Key command provides the ability to write one or more link keys to be stored in the Bluetooth Host Controller. The Bluetooth Host Controller can store a limited number of link keys for other Bluetooth devices. If no additional space is available in the Bluetooth Host Controller then no additional link keys will be stored. If space is limited and if all the link keys to be stored will not fit in the limited space, then the order of the list of link keys without any error will determine which link keys are stored. Link keys at the beginning of the list will be stored first. The Num\_Keys\_Written parameter will return the number of link keys that were successfully stored. If no additional space is available, then the Host must delete one or more stored link keys before any additional link keys are stored. The link key replacement algorithm is implemented by the Host and not the Host Controller. Link keys are shared between two Bluetooth devices and are used for all security transactions between the two devices. A Host device may have additional storage capabilities, which can be used to save additional link keys to be reloaded to the Bluetooth Host Controller when needed.

Note: Link Keys are only stored by issuing this command.

#### Command Parameters:

*Num\_Keys\_To\_Write:* *Size: 1 Byte*

Value	Parameter Description
0xXX	Number of Link Keys to Write.

*BD\_ADDR [i]:* *Size: 6 Bytes \* Num\_Keys\_To\_Write*

Value	Parameter Description
0XXXXXXXXXXXXX	BD_ADDR for the associated Link Key.

*Link\_Key[i]:* *Size: 16 Bytes \* Num\_Keys\_To\_Write*

Value	Parameter Description
0XXXXXXXXXXXXX XXXXXXXXXXXXX XXXXXXXXXXXXX	Link Key for the associated BD_ADDR.



**Return Parameters:***Status:**Size: 1 Byte*

Value	Parameter Description
0x00	Write_Stored_Link_Key command succeeded.
0x01-0xFF	Write_Stored_Link_Key command failed. See <a href="#">Table 6.1 on page 745</a> for list of Error Codes.

*Num\_Keys\_Written:**Size: 1 Bytes*

Value	Parameter Description
0xXX	Number of Link Keys successfully written. Range: 0x00 – 0xFF

**Event(s) generated (unless masked away):**

When the Write\_Stored\_Link\_Key command has completed, a Command Complete event will be generated.

### 4.7.10 Delete\_Stored\_Link\_Key

Command	OCF	Command Parameters	Return Parameters
HCI_Delete_Stored_Link_Key	0x0012	BD_ADDR, Delete_All_Flag	Status, Num_Keys_Deleted

#### Description:

The Delete\_Stored\_Link\_Key command provides the ability to remove one or more of the link keys stored in the Bluetooth Host Controller. The Bluetooth Host Controller can store a limited number of link keys for other Bluetooth devices. Link keys are shared between two Bluetooth devices and are used for all security transactions between the two devices. The Delete\_All\_Flag parameter is used to indicate if all of the stored Link Keys should be deleted. If the Delete\_All\_Flag indicates that all Link Keys are to be deleted, then the BD\_ADDR command parameter must be ignored. This command provides the ability to negate all security agreements between two devices. The BD\_ADDR command parameter is used to identify which link key to delete. If a link key is currently in use for a connection, then the link key will be deleted when all of the connections are disconnected.

#### Command Parameters:

*BD\_ADDR:* *Size: 6 Bytes*

Value	Parameter Description
0XXXXXXXXXXXXX	BD_ADDR for the link key to be deleted.

*Delete\_All\_Flag:* *Size: 1 Byte*

Value	Parameter Description
0x00	Delete only the Link Key for specified BD_ADDR.
0x01	Delete all stored Link Keys.
0x02-0xFF	Reserved for future use.

#### Return Parameters:

*Status:* *Size: 1 Byte*

Value	Parameter Description
0x00	Delete_Stored_Link_Key command succeeded.
0x01-0xFF	Delete_Stored_Link_Key command failed. See <a href="#">Table 6.1 on page 745</a> for list of Error Codes.

*Num\_Keys\_Deleted:**Size: 2 Bytes*

Value	Parameter Description
0xXXXX	Number of Link Keys Deleted

**Event(s) generated (unless masked away):**

When the Delete\_Stored\_Link\_Key command has completed, a Command Complete event will be generated.

### 4.7.11 Change\_Local\_Name

Command	OCF	Command Parameters	Return Parameters
HCI_Change_Local_Name	0x0013	Name	Status

#### Description:

The Change\_Local\_Name command provides the ability to modify the user-friendly name for the Bluetooth device. A Bluetooth device may send a request to get the user-friendly name of another Bluetooth device. The user-friendly name provides the user with the ability to distinguish one Bluetooth device from another. The Name command parameter is a UTF-8 encoded string with up to 248 bytes in length. The Name command parameter should be null-terminated (0x00) if the UTF-8 encoded string is less than 248 bytes.

Note: the Name Parameter is transmitted starting with the first byte of the name. This is an exception to the Little Endian order format for transmitting multi-byte parameters.

#### Command Parameters:

Name:

Size: 248 Bytes

Value	Parameter Description
	A UTF-8 encoded User-Friendly Descriptive Name for the device. The UTF-8 encoded Name can be up to 248 bytes in length. If it is shorter than 248 bytes, the end is indicated by a NULL byte (0x00).
	Null terminated Zero length String. <b>Default.</b>

#### Return Parameters:

Status:

Size: 1 Byte

Value	Parameter Description
0x00	Change_Local_Name command succeeded.
0x01-0xFF	Change_Local_Name command failed. See <a href="#">Table 6.1 on page 745</a> for list of Error Codes.

#### Event(s) generated (unless masked away):

When the Change\_Local\_Name command has completed, a Command Complete event will be generated.

### 4.7.12 Read\_Local\_Name

Command	OCF	Command Parameters	Return Parameters
HCI_Read_Local_Name	0x0014		Status, Name

**Description:**

The Read\_Local\_Name command provides the ability to read the stored user-friendly name for the Bluetooth device. The user-friendly name provides the user the ability to distinguish one Bluetooth device from another. The Name return parameter is a UTF-8 encoded string with up to 248 bytes in length. The Name return parameter will be null terminated (0x00) if the UTF-8 encoded string is less than 248 bytes.

Note: the Name Parameter is transmitted starting with the first byte of the name. This is an exception to the Little Endian order format for transmitting multi-byte parameters.

**Command Parameters:**

None.

**Return Parameters:**

*Status:*

*Size: 1 Byte*

Value	Parameter Description
0x00	Read_Local_Name command succeeded
0x01-0xFF	Read_Local_Name command failed see <a href="#">Table 6.1 on page 746</a> for list of Error Codes

*Name:*

*Size: 248 Bytes*

Value	Parameter Description
	A UTF-8 encoded User Friendly Descriptive Name for the device. The UTF-8 encoded Name can be up to 248 bytes in length. If it is shorter than 248 bytes, the end is indicated by a NULL byte (0x00).

**Event(s) generated (unless masked away):**

When the Read\_Local\_Name command has completed a Command Complete event will be generated.

### 4.7.13 Read\_Connection\_Accept\_Timeout

Command	OCF	Command Parameters	Return Parameters
HCI_Read_Connection_Accept_Timeout	0x0015		Status, Conn_Accept_Timeout

**Description:**

This command will read the value for the Connection\_Accept\_Timeout configuration parameter. The Connection\_Accept\_Timeout configuration parameter allows the Bluetooth hardware to automatically deny a connection request after a specified time period has occurred and the new connection is not accepted. The parameter defines the time duration from when the Host Controller sends a Connection Request event until the Host Controller will automatically reject an incoming connection.

**Command Parameters:**

None.

**Return Parameters:**

*Status:*

*Size: 1 Byte*

Value	Parameter Description
0x00	Read_Connection_Accept_Timeout command succeeded.
0x01-0xFF	Read_Connection_Accept_Timeout command failed. See <a href="#">Table 6.1 on page 745</a> for list of Error Codes.

*Conn\_Accept\_Timeout:*

*Size: 2 Bytes*

Value	Parameter Description
N = 0xXXXX	Connection Accept Timeout measured in Number of Baseband slots. Interval Length = N * 0.625 msec (1 Baseband slot) Range for N: 0x0001 – 0xB540 Time Range: 0.625 msec -29 seconds

**Event(s) generated (unless masked away):**

When the Read\_Connection\_Timeout command has completed, a Command Complete event will be generated.

**4.7.14 Write\_Connection\_Accept\_Timeout**

Command	OCF	Command Parameters	Return Parameters
HCI_Write_Connection_Accept_Timeout	0x0016	Conn_Accept_Timeout	Status

**Description:**

This command will write the value for the Connection\_Accept\_Timeout configuration parameter. The Connection\_Accept\_Timeout configuration parameter allows the Bluetooth hardware to automatically deny a connection request after a specified time interval has occurred and the new connection is not accepted. The parameter defines the time duration from when the Host Controller sends a Connection Request event until the Host Controller will automatically reject an incoming connection.

**Command Parameters:**

*Conn\_Accept\_Timeout:*

*Size: 2 Bytes*

Value	Parameter Description
N = 0xXXXX	Connection Accept Timeout measured in Number of Baseband slots. Interval Length = N * 0.625 msec (1 Baseband slot) Range for N: 0x0001 – 0xB540 Time Range: 0.625 msec - 29 seconds Default: N = 0x1FA0 Time = 5 Sec

**Return Parameters:**

*Status:*

*Size: 1 Byte*

Value	Parameter Description
0x00	Write_Connection_Accept_Timeout command succeeded.
0x01-0xFF	Write_Connection_Accept_Timeout command failed. See <a href="#">Table 6.1 on page 745</a> for list of Error Codes.

**Event(s) generated (unless masked away):**

When the Write\_Connection\_Accept\_Timeout command has completed, a Command Complete event will be generated.

### 4.7.15 Read\_Page\_Timeout

Command	OCF	Command Parameters	Return Parameters
HCI_Read_Page_Timeout	0x0017		Status, Page_Timeout

#### Description:

This command will read the value for the Page\_Timeout configuration parameter. The Page\_Timeout configuration parameter defines the maximum time the local Link Manager will wait for a baseband page response from the remote device at a locally initiated connection attempt. If this time expires and the remote device has not responded to the page at baseband level, the connection attempt will be considered to have failed.

#### Command Parameters:

None.

#### Return Parameters:

*Status:*

*Size: 1 Byte*

Value	Parameter Description
0x00	Read_Page_Timeout command succeeded.
0x01-0xFF	Read_Page_Timeout command failed. See <a href="#">Table 6.1 on page 745</a> for list of Error Codes.

*Page\_Timeout:*

*Size: 2 Bytes*

Value	Parameter Description
N = 0xXXXX	Page Timeout measured in Number of Baseband slots. Interval Length = N * 0.625 msec (1 Baseband slot) Range for N: 0x0001 – 0xFFFF Time Range: 0.625 msec -40.9 Seconds

#### Event(s) generated (unless masked away):

When the Read\_Page\_Timeout command has completed, a Command Complete event will be generated.



### 4.7.16 Write\_Page\_Timeout

Command	OCF	Command Parameters	Return Parameters
HCI_Write_Page_Timeout	0x0018	Page_Timeout	Status

#### Description:

This command will write the value for the Page\_Timeout configuration parameter. The Page\_Timeout configuration parameter defines the maximum time the local Link Manager will wait for a baseband page response from the remote device at a locally initiated connection attempt. If this time expires and the remote device has not responded to the page at baseband level, the connection attempt will be considered to have failed.

#### Command Parameters:

*Page\_Timeout:*

*Size: 2 Bytes*

Value	Parameter Description
0	Illegal Page Timeout. Must be larger than 0.
N = 0xXXXX	Page Timeout measured in Number of Baseband slots. Interval Length = N * 0.625 msec (1 Baseband slot) Range for N: 0x0001 – 0xFFFF Time Range: 0.625 msec -40.9 Seconds <b>Default: N = 0x2000 Time = 5.12 Sec</b>

#### Return Parameters:

*Status:*

*Size: 1 Byte*

Value	Parameter Description
0x00	Write_Page_Timeout command succeeded.
0x01-0xFF	Write_Page_Timeout command failed. See <a href="#">Table 6.1 on page 745</a> for list of Error Codes.

#### Event(s) generated (unless masked away):

When the Write\_Page\_Timeout command has completed, a Command Complete event will be generated.

### 4.7.17 Read\_Scan\_Enable

Command	OCF	Command Parameters	Return Parameters
HCI_Read_Scan_Enable	0x0019		Status, Scan_Enable

**Description:**

This command will read the value for the Scan\_Enable parameter. The Scan\_Enable parameter controls whether or not the Bluetooth device will periodically scan for page attempts and/or inquiry requests from other Bluetooth devices. If Page\_Scan is enabled, then the device will enter page scan mode based on the value of the Page\_Scan\_Interval and Page\_Scan\_Window parameters. If Inquiry\_Scan is enabled, then the device will enter Inquiry Scan mode based on the value of the Inquiry\_Scan\_Interval and Inquiry\_Scan\_Window parameters.

**Command Parameters:**

None.

**Return Parameters:**

*Status:*

*Size: 1 Byte*

Value	Parameter Description
0x00	Read_Scan_Enable command succeeded.
0x01-0xFF	Read_Scan_Enable command failed. See <a href="#">Table 6.1 on page 745</a> for list of Error Codes.

*Scan\_Enable:*

*Size: 1 Byte*

Value	Parameter Description
0x00	No Scans enabled.
0x01	Inquiry Scan enabled. Page Scan disabled.
0x02	Inquiry Scan disabled. Page Scan enabled.
0x03	Inquiry Scan enabled. Page Scan enabled.

**Event(s) generated (unless masked away):**

When the Read\_Scan\_Enable command has completed, a Command Complete event will be generated.

**4.7.18 Write\_Scan\_Enable**

Command	OCF	Command Parameters	Return Parameters
HCI_Write_Scan_Enable	0x001A	Scan_Enable	Status

**Description:**

This command will write the value for the Scan\_Enable parameter. The Scan\_Enable parameter controls whether or not the Bluetooth device will periodically scan for page attempts and/or inquiry requests from other Bluetooth devices. If Page\_Scan is enabled, then the device will enter page scan mode based on the value of the Page\_Scan\_Interval and Page\_Scan\_Window parameters. If Inquiry\_Scan is enabled, then the device will enter Inquiry Scan mode based on the value of the Inquiry\_Scan\_Interval and Inquiry\_Scan\_Window parameters.

**Command Parameters:***Scan\_Enable:**Size: 1 Byte*

Value	Parameter Description
0x00	No Scans enabled. <b>Default.</b>
0x01	Inquiry Scan enabled. Page Scan disabled.
0x02	Inquiry Scan disabled. Page Scan enabled.
0x03	Inquiry Scan enabled. Page Scan enabled.

**Return Parameters:***Status:**Size: 1 Byte*

Value	Parameter Description
0x00	Write_Scan_Enable command succeeded.
0x01-0xFF	Write_Scan_Enable command failed. See <a href="#">Table 6.1 on page 745</a> for list of Error Codes.

**Event(s) generated (unless masked away):**

When the Write\_Scan\_Enable command has completed, a Command Complete event will be generated.

### 4.7.19 Read\_Page\_Scan\_Activity

Command	OCF	Command Parameters	Return Parameters
HCI_Read_Page_Scan_Activity	0x001B		Status, Page_Scan_Interval, Page_Scan_Window

#### Description:

This command will read the value for Page\_Scan\_Activity configuration parameters. The Page\_Scan\_Interval configuration parameter defines the amount of time between consecutive page scans. This time interval is defined from when the Host Controller started its last page scan until it begins the next page scan. The Page\_Scan\_Window configuration parameter defines the amount of time for the duration of the page scan. The Page\_Scan\_Window can only be less than or equal to the Page\_Scan\_Interval.

Note: Page Scan is only performed when Page\_Scan is enabled (see 4.7.17 and 4.7.18).

A changed Page\_Scan\_Interval could change the local Page\_Scan\_Repetition\_Mode (see “Baseband Specification” on page 33, Keyword: SR-Mode).

#### Command Parameters:

None.

#### Return Parameters:

Status:

Size: 1 Byte

Value	Parameter Description
0x00	Read_Page_Scan_Activity command succeeded.
0x01-0xFF	Read_Page_Scan_Activity command failed. See Table 6.1 on page 745 for list of Error Codes.

Page\_Scan\_Interval:

Size: 2 Bytes

Value	Parameter Description
N = 0xXXXX	Size: 2 Bytes Range: 0x0012 – 0x1000 Time = N * 0.625 msec Range: 11.25 msec – 2560 msec

*Page\_Scan\_Window:**Size: 2 Bytes*

Value	Parameter Description
N = 0xXXXX	Size: 2 Bytes Range: 0x0012 – 0x1000 Time = N * 0.625 msec Range: 11.25 msec – 2560 msec

**Event(s) generated (unless masked away):**

When the Read\_Page\_Scan\_Activity command has completed, a Command Complete event will be generated.

### 4.7.20 Write\_Page\_Scan\_Activity

Command	OCF	Command Parameters	Return Parameters
HCI_Write_Page_Scan_Activity	0x001C	Page_Scan_Interval, Page_Scan_Window	Status

#### Description:

This command will write the value for Page\_Scan\_Activity configuration parameter. The Page\_Scan\_Interval configuration parameter defines the amount of time between consecutive page scans. This is defined as the time interval from when the Host Controller started its last page scan until it begins the next page scan. The Page\_Scan\_Window configuration parameter defines the amount of time for the duration of the page scan. The Page\_Scan\_Window can only be less than or equal to the Page\_Scan\_Interval.

Note: Page Scan is only performed when Page\_Scan is enabled (see 4.7.17 and 4.7.18). A changed Page\_Scan\_Interval could change the local Page\_Scan\_Repetition\_Mode (see “Baseband Specification” on page 33, Keyword: SR-Mode).

#### Command Parameters:

*Page\_Scan\_Interval:*

*Size: 2 Bytes*

Value	Parameter Description
N = 0xXXXX	Size: 2 Bytes Range: 0x0012 – 0x1000 Time = N * 0.625 msec Range: 11.25 msec – 2560 msec Default: N = 0x0800 Time = 1.28 Sec

*Page\_Scan\_Window:*

*Size: 2 Bytes*

Value	Parameter Description
N = 0xXXXX	Size: 2 Bytes Range: 0x0012 – 0x1000 Time = N * 0.625 msec Range: 11.25 msec – 2560 msec Default: N = 0x0012 Time = 11.25 msec

**Return Parameters:***Status:**Size: 1 Byte*

Value	Parameter Description
0x00	Write_Page_Scan_Activity command succeeded.
0x01-0xFF	Write_Page_Scan_Activity command failed. See <a href="#">Table 6.1 on page 745</a> for list of Error Codes.

**Event(s) generated (unless masked away):**

When the Write\_Page\_Scan\_Activity command has completed, a Command Complete event will be generated.

### 4.7.21 Read\_Inquiry\_Scan\_Activity

Command	OCF	Command Parameters	Return Parameters
HCI_Read_Inquiry_Scan_Activity	0x001D		Status, Inquiry_Scan_Interval, Inquiry_Scan_Window

#### Description:

This command will read the value for Inquiry\_Scan\_Activity configuration parameter. The Inquiry\_Scan\_Interval configuration parameter defines the amount of time between consecutive inquiry scans. This is defined as the time interval from when the Host Controller started its last inquiry scan until it begins the next inquiry scan.

The Inquiry\_Scan\_Window configuration parameter defines the amount of time for the duration of the inquiry scan. The Inquiry\_Scan\_Window can only be less than or equal to the Inquiry\_Scan\_Interval.

Note: Inquiry Scan is only performed when Inquiry\_Scan is enabled see 4.7.17 and 4.7.18).

#### Command Parameters:

None.

#### Return Parameters:

*Status:*

*Size: 1 Byte*

Value	Parameter Description
0x00	Read_Inquiry_Scan_Activity command succeeded.
0x01-0xFF	Read_Inquiry_Scan_Activity command failed. See Table 6.1 on page 745 for list of Error Codes.

*Inquiry\_Scan\_Interval:*

*Size: 2 Bytes*

Value	Parameter Description
N = 0xXXXX	Size: 2 Bytes Range: 0x0012 – 0x1000 Time = N * 0.625 msec Range: 11.25 – 2560 msec



*Inquiry\_Scan\_Window:**Size: 2 Bytes*

Value	Parameter Description
N = 0xXXXX	Size: 2 Bytes Range: 0x0012 – 0x1000 Time = N * 0.625 msec Range: 0.625 msec – 2560 msec

**Event(s) generated (unless masked away):**

When the Read\_Inquiry\_Scan\_Activity command has completed, a Command Complete event will be generated.

### 4.7.22 Write\_Inquiry\_Scan\_Activity

Command	OCF	Command Parameters	Return Parameters
HCI_Write_Inquiry_Scan_Activity	0x001E	Inquiry_Scan_Interval, Inquiry_Scan_Window	Status

#### Description:

This command will write the value for Inquiry\_Scan\_Activity configuration parameter. The Inquiry\_Scan\_Interval configuration parameter defines the amount of time between consecutive inquiry scans. This is defined as the time interval from when the Host Controller started its last inquiry scan until it begins the next inquiry scan.

The Inquiry\_Scan\_Window configuration parameter defines the amount of time for the duration of the inquiry scan. The Inquiry\_Scan\_Window can only be less than or equal to the Inquiry\_Scan\_Interval.

Note: Inquiry Scan is only performed when Inquiry\_Scan is enabled (see 4.7.17 and 4.7.18).

#### Command Parameters:

*Inquiry\_Scan\_Interval:*

*Size: 2 Bytes*

Value	Parameter Description
N = 0xXXXX	Size: 2 Bytes Range: 0x0012 – 0x1000 Time = N * 0.625 msec Range: 11.25 – 2560 msec Default: N = 0x0800 Time = 1.28 Sec

*Inquiry\_Scan\_Window:*

*Size: 2 Bytes*

Value	Parameter Description
N = 0xXXXX	Size: 2 Bytes Range: 0x0012 – 0x1000 Time = N * 0.625 msec Range: 11.25 msec – 2560 msec Default: N = 0x0012 Time = 11.25 msec

**Return Parameters:***Status:**Size: 1 Byte*

Value	Parameter Description
0x00	Write_Inquiry_Scan_Activity command succeeded.
0x01-0xFF	Write_Inquiry_Scan_Activity command failed. See <a href="#">Table 6.1 on page 745</a> for list of Error Codes.

**Event(s) generated (unless masked away):**

When the Write\_Inquiry\_Scan\_Activity command has completed, a Command Complete event will be generated.

### 4.7.23 Read\_Authentication\_Enable

Command	OCF	Command Parameters	Return Parameters
HCI_Read_Authentication_Enable	0x001F		Status, Authentication_Enable

**Description:**

This command will read the value for the Authentication\_Enable parameter. The Authentication\_Enable parameter controls if the local device requires to authenticate the remote device at connection setup (between the Create\_Connection command or acceptance of an incoming ACL connection and the corresponding Connection Complete event). At connection setup, only the device(s) with the Authentication\_Enable parameter enabled will try to authenticate the other device.

Note: Changing this parameter does not affect existing connections.

**Command Parameters:**

None.

**Return Parameters:**

*Status:*

*Size: 1 Byte*

Value	Parameter Description
0x00	Read_Authentication_Enable command succeeded.
0x01-0xFF	Read_Authentication_Enable command failed. See <a href="#">Table 6.1 on page 745</a> for list of Error Codes.

*Authentication\_Enable:*

*Size: 1 Byte*

Value	Parameter Description
0x00	Authentication disabled.
0x01	Authentication enabled for all connections.
0x02-0xFF	Reserved

**Event(s) generated (unless masked away):**

When the Read\_Authentication\_Enable command has completed, a Command Complete event will be generated.

**4.7.24 Write\_Authentication\_Enable**

Command	OCF	Command Parameters	Return Parameters
HCI_Write_Authentication_Enable	0x0020	Authentication_Enable	Status

**Description:**

This command will write the value for the Authentication\_Enable parameter. The Authentication\_Enable parameter controls if the local device requires to authenticate the remote device at connection setup (between the Create\_Connection command or acceptance of an incoming ACL connection and the corresponding Connection Complete event). At connection setup, only the device(s) with the Authentication\_Enable parameter enabled will try to authenticate the other device.

Note: Changing this parameter does not affect existing connections.

**Command Parameters:**

*Authentication\_Enable:*

*Size: 1 Byte*

Value	Parameter Description
0x00	Authentication disabled. <b>Default.</b>
0x01	Authentication enabled for all connection.
0x02-0xFF	Reserved

**Return Parameters:**

*Status:*

*Size: 1 Byte*

Value	Parameter Description
0x00	Write Authentication_Enable command succeeded.
0x01-0xFF	Write Authentication_Enable command failed. See <a href="#">Table 6.1 on page 745</a> for list of Error Codes.

**Event(s) generated (unless masked away):**

When the Write\_Authentication\_Enable command has completed, a Command Complete event will be generated.

### 4.7.25 Read\_Encryption\_Mode

Command	OCF	Command Parameters	Return Parameters
HCI_Read_Encryption_Mode	0x0021		Status, Encryption_Mode

#### Description:

This command will read the value for the Encryption\_Mode parameter. The Encryption\_Mode parameter controls if the local device requires encryption to the remote device at connection setup (between the Create\_Connection command or acceptance of an incoming ACL connection and the corresponding Connection Complete event). At connection setup, only the device(s) with the Authentication\_Enable parameter enabled and Encryption\_Mode parameter enabled will try to encrypt the connection to the other device.

Note: Changing this parameter does not affect existing connections.

#### Command Parameters:

None.

#### Return Parameters:

*Status:*

*Size: 1 Byte*

Value	Parameter Description
0x00	Read_Encryption_Mode command succeeded.
0x01-0xFF	Read_Encryption_Mode command failed. See <a href="#">Table 6.1 on page 745</a> for list of Error Codes.

*Encryption\_Mode:*

*Size: 1 Byte*

Value	Parameter Description
0x00	Encryption disabled.
0x01	Encryption only for point-to-point packets.
0x02	Encryption for both point-to-point and broadcast packets.
0x03-0xFF	Reserved.

#### Event(s) generated (unless masked away):

When the Read\_Encryption\_Mode command has completed, a Command Complete event will be generated.

### 4.7.26 Write\_Encryption\_Mode

Command	OCF	Command Parameters	Return Parameters
HCI_Write_Encryption_Mode	0x0022	Encryption_Mode	Status

#### Description:

This command will write the value for the Encryption\_Mode parameter. The Encryption\_Mode parameter controls if the local device requires encryption to the remote device at connection setup (between the Create\_Connection command or acceptance of an incoming ACL connection and the corresponding Connection Complete event). At connection setup, only the device(s) with the Authentication\_Enable parameter enabled and Encryption\_Mode parameter enabled will try to encrypt the connection to the other device.

Note: Changing this parameter does not affect existing connections.

A temporary link key must be used when both broadcast and point-to-point traffic shall be encrypted.

The Host must not specify the Encryption\_Mode parameter with more encryption capability than its local device currently supports, although the parameter is used to request the encryption capability to the remote device. Note that the Host must not request the command with the Encryption\_Mode parameter set to either 0x01 or 0x02, when the local device does not support encryption. Also note that the Host must not request the command with the parameter set to 0x02, when the local device does not support broadcast encryption.

Note that the actual Encryption\_Mode to be returned in an event for a new connection (or in a Connection Complete event) will only support a part of the capability, when the local device requests more encryption capability than the current remote device supports. For example, 0x00 will always be returned in the event when the remote device supports no encryption, and either 0x00 or 0x01 will be returned when it supports only point-to-point encryption.

#### Command Parameters:

*Encryption\_Mode:*

*Size: 1 Byte*

Value	Parameter Description
0x00	Encryption disabled. <b>Default.</b>
0x01	Encryption only for point-to-point packets.
0x02	Encryption for both point-to-point and broadcast packets.
0x03-0xFF	Reserved.

**Return Parameters:***Status:**Size: 1 Byte*

Value	Parameter Description
0x00	Write_Encryption_Mode command succeeded.
0x01-0xFF	Write_Encryption_Mode command failed. See <a href="#">Table 6.1 on page 745</a> for list of Error Codes.

**Event(s) generated (unless masked away):**

When the Write\_Encryption\_Mode command has completed, a Command Complete event will be generated.



**4.7.27 Read\_Class\_of\_Device**

Command	OCF	Command Parameters	Return Parameters
HCI_Read_Class_of_Device	0x0023		Status, Class_of_Device

**Description:**

This command will read the value for the Class\_of\_Device parameter. The Class\_of\_Device parameter is used to indicate the capabilities of the local device to other devices.

**Command Parameters:**

None.

**Return Parameters:**

*Status:*

*Size: 1 Byte*

Value	Parameter Description
0x00	Read_Class_of_Device command succeeded.
0x01-0xFF	Read_Class_of_Device command failed. See <a href="#">Table 6.1 on page 745</a> for list of Error Codes.

*Class\_of\_Device:*

*Size: 3 Bytes*

Value	Parameter Description
0xXXXXXX	Class of Device for the device.

**Event(s) generated (unless masked away):**

When the Read\_Class\_of\_Device command has completed, a Command Complete event will be generated.

**4.7.28 Write\_Class\_of\_Device**

Command	OCF	Command Parameters	Return Parameters
HCI_Write_Class_of_Device	0x0024	Class_of_Device	Status

**Description:**

This command will write the value for the Class\_of\_Device parameter. The Class\_of\_Device parameter is used to indicate the capabilities of the local device to other devices.

**Command Parameters:***Class\_of\_Device:**Size: 3 Bytes*

Value	Parameter Description
0xXXXXXX	Class of Device for the device.

**Return Parameters:***Status:**Size: 1 Byte*

Value	Parameter Description
0x00	Write_Class_of_Device command succeeded.
0x01-0xFF	Write_Class_of_Device command failed. See <a href="#">Table 6.1 on page 745</a> for list of Error Codes.

**Event(s) generated (unless masked away):**

When the Write\_Class\_of\_Device command has completed, a Command Complete event will be generated.

### 4.7.29 Read\_Voice\_Setting

Command	OCF	Command Parameters	Return Parameters
HCI_Read_Voice_Setting	0x0025		Status, Voice_Setting

**Description:**

This command will read the values for the Voice\_Setting parameter. The Voice\_Setting parameter controls all the various settings for voice connections. These settings apply to all voice connections, and **cannot** be set for individual voice connections. The Voice\_Setting parameter controls the configuration for voice connections: Input Coding, Air coding format, input data format, Input sample size, and linear PCM parameter.

**Command Parameters:**

None.

**Return Parameters:**

*Status:*

*Size: 1 Byte*

Value	Parameter Description
0x00	Read_Voice_Setting command succeeded.
0x01-0xFF	Read_Voice_Setting command failed. See <a href="#">Table 6.1 on page 745</a> for list of Error Codes.

*Voice\_Setting:*

*Size: 2 Bytes (10 Bits meaningful)*

Value	Parameter Description
00XXXXXXXX	Input Coding: Linear
01XXXXXXXX	Input Coding: $\mu$ -law Input Coding
10XXXXXXXX	Input Coding: A-law Input Coding
11XXXXXXXX	Reserved for Future Use
XX00XXXXXX	Input Data Format: 1's complement
XX01XXXXXX	Input Data Format: 2's complement
XX10XXXXXX	Input Data Format: Sign-Magnitude
XX11XXXXXX	Reserved for Future Use
XXXX0XXXXX	Input Sample Size: 8-bit (only for Liner PCM)
XXXX1XXXXX	Input Sample Size: 16-bit (only for Liner PCM)

Value	Parameter Description
XXXXXnnnXX	Linear_PCM_Bit_Pos: # bit positions that MSB of sample is away from starting at MSB (only for Liner PCM).
XXXXXXXX00	Air Coding Format: CVSD
XXXXXXXX01	Air Coding Format: $\mu$ -law
XXXXXXXX10	Air Coding Format: A-law
XXXXXXXX11	Reserved

**Event(s) generated (unless masked away):**

When the Read\_Voice\_Setting command has completed, a Command Complete event will be generated.

**4.7.30 Write\_Voice\_Setting**

Command	OCF	Command Parameters	Return Parameters
HCI_Write_Voice_Setting	0x0026	Voice_Setting	Status

**Description:**

This command will write the values for the Voice\_Setting parameter. The Voice\_Setting parameter controls all the various settings for the voice connections. These settings apply to all voice connections and **cannot** be set for individual voice connections. The Voice\_Setting parameter controls the configuration for voice connections: Input Coding, Air coding format, input data format, Input sample size, and linear PCM parameter.

**Command Parameters:***Voice\_Setting:**Size: 2 Bytes (10 Bits meaningful)*

Value	Parameter Description
00XXXXXXXX	Input Coding: Linear
01XXXXXXXX	Input Coding: $\mu$ -law Input Coding
10XXXXXXXX	Input Coding: A-law Input Coding
11XXXXXXXX	Reserved for Future Use
XX00XXXXXX	Input Data Format: 1's complement
XX01XXXXXX	Input Data Format: 2's complement
XX10XXXXXX	Input Data Format: Sign-Magnitude
XX11XXXXXX	Reserved for Future Use
XXXX0XXXXX	Input Sample Size: 8 bit (only for Liner PCM)
XXXX1XXXXX	Input Sample Size: 16 bit (only for Liner PCM)
XXXXXnnnXX	Linear_PCM_Bit_Pos: # bit positions that MSB of sample is away from starting at MSB (only for Liner PCM)
XXXXXXXX00	Air Coding Format: CVSD
XXXXXXXX01	Air Coding Format: $\mu$ -law
XXXXXXXX10	Air Coding Format: A-law
XXXXXXXX11	Reserved
0001100000	Default Condition

**Return Parameters:***Status:**Size: 1 Byte*

Value	Parameter Description
0x00	Write_Voice_Setting command succeeded.
0x01-0xFF	Write_Voice_Setting command failed. See <a href="#">Table 6.1 on page 745</a> for list of Error Codes.

**Event(s) generated (unless masked away):**

When the Write\_Voice\_Setting command has completed, a Command Complete event will be generated.

**4.7.31 Read\_Automatic\_Flush\_Timeout**

Command	OCF	Command Parameters	Return Parameters
HCI_Read_Automatic_Flush_Timeout	0x0027	Connection_Handle	Status, Connection_Handle, Flush_Timeout

**Description:**

This command will read the value for the Flush\_Timeout parameter for the specified connection handle. The Flush\_Timeout parameter is used for ACL connections ONLY. The Flush\_Timeout parameter defines the amount of time before all chunks of the L2CAP packet, of which a baseband packet is currently being transmitted, are automatically flushed by the Host Controller. The timeout period starts when a transmission attempt is made for the first baseband packet of an L2CAP packet. This allows ACL packets to be automatically flushed without the Host device issuing a Flush command. The Read\_Automatic\_Flush\_Timeout command provides support for isochronous data, such as video. When the L2CAP packet that is currently being transmitted is automatically 'flushed', the Failed Contact Counter is incremented by one. The first chunk of the next L2CAP packet to be transmitted for the specified connection handle may already be stored in the Host Controller. In that case, the transmission of the first baseband packet containing data from that L2CAP packet can begin immediately. If the next L2CAP packet is not stored in the Host Controller, all data that is sent to the Host Controller after the flush for the same connection handle will be discarded by the Host Controller until an HCI Data Packet having the start Packet\_Boundary\_Flag (0x02) is received. When this happens, a new transmission attempt will be made.

**Command Parameters:***Connection\_Handle:**Size: 2 Bytes (12 Bits meaningful)*

Value	Parameter Description
0xXXXX	Specifies which Connection Handle's Flush Timeout to read. Range: 0x0000-0x0EFF (0x0F00 - 0x0FFF Reserved for future use)

**Return Parameters:***Status:**Size: 1 Byte*

Value	Parameter Description
0x00	Read_Automatic_Flush_Timeout command succeeded.
0x01-0xFF	Read_Automatic_Flush_Timeout command failed. See <a href="#">Table 6.1 on page 745</a> for list of Error Codes.

*Connection\_Handle:**Size: 2 Bytes (12 Bits meaningful)*

Value	Parameter Description
0xXXXX	Specifies which Connection Handle's Flush Timeout has been read. Range: 0x0000-0x0EFF (0x0F00 - 0x0FFF Reserved for future use)

*Flush\_Timeout:**Size: 2 Bytes*

Value	Parameter Description
0	Timeout = $\infty$ ; No Automatic Flush
N = 0xXXXX	Flush Timeout = N * 0.625 msec Size: 11 bits Range: 0x0001 – 0x07FF

**Event(s) generated (unless masked away):**

When the Read\_Automatic\_Flush\_Timeout command has completed, a Command Complete event will be generated.



#### 4.7.32 Write\_Automatic\_Flush\_Timeout

Command	OCF	Command Parameters	Return Parameters
HCI_Write_Automatic_Flush_Timeout	0x0028	Connection_Handle, Flush_Timeout	Status, Connection_Handle

#### Description:

This command will write the value for the Flush\_Timeout parameter for the specified connection handle. The Flush\_Timeout parameter is used for ACL connections ONLY. The Flush\_Timeout parameter defines the amount of time before all chunks of the L2CAP packet, of which a baseband packet is currently being transmitted, are automatically flushed by the Host Controller. The timeout period starts when a transmission attempt is made for the first baseband packet of an L2CAP packet. This allows ACL packets to be automatically flushed without the Host device issuing a Flush command. The Write\_Automatic\_Flush\_Timeout command provides support for isochronous data, such as video. When the L2CAP packet that is currently being transmitted is automatically 'flushed', the Failed Contact Counter is incremented by one. The first chunk of the next L2CAP packet to be transmitted for the specified connection handle may already be stored in the Host Controller. In that case, the transmission of the first baseband packet containing data from that L2CAP packet can begin immediately. If the next L2CAP packet is not stored in the Host Controller, all data that is sent to the Host Controller after the flush for the same connection handle will be discarded by the Host Controller until an HCI Data Packet having the start Packet\_Boundary\_Flag (0x02) is received. When this happens, a new transmission attempt will be made.

#### Command Parameters:

*Connection\_Handle:*

*Size: 2 Bytes (12 Bits meaningful)*

Value	Parameter Description
0xXXXX	Specifies which Connection Handle's Flush Timeout to write to. Range: 0x0000-0x0EFF (0x0F00 - 0x0FFF Reserved for future use)

*Flush\_Timeout:*

*Size: 2 Bytes*

Value	Parameter Description
0	Timeout = ∞; No Automatic Flush. <b>Default.</b>
N = 0xXXXX	Flush Timeout = N * 0.625 msec Size: 11 bits Range: 0x0001 – 0x07FF

**Return Parameters:***Status:**Size: 1 Byte*

Value	Parameter Description
0x00	Write_Automatic_Flush_Timeout command succeeded.
0x01-0xFF	Write_Automatic_Flush_Timeout command failed. See <a href="#">Table 6.1 on page 745</a> for list of Error Codes.

*Connection\_Handle:**Size: 2 Bytes (12 Bits meaningful)*

Value	Parameter Description
0xXXXX	Specifies which Connection Handle's Flush Timeout has been written. Range: 0x0000-0x0EFF (0x0F00 - 0x0FFF Reserved for future use)

**Event(s) generated (unless masked away):**

When the Write\_Automatic\_Flush\_Timeout command has completed, a Command Complete event will be generated.

### 4.7.33 Read\_Num\_Broadcast\_Retransmissions

Command	OCF	Command Parameters	Return Parameters
HCI_Read_Num_Broadcast_Retransmissions	0x0029		Status, Num_Broadcast_Regran

#### Description:

This command will read the device's parameter value for the Number of Broadcast Retransmissions. Broadcast packets are not acknowledged and are unreliable. The Number of Broadcast Retransmissions parameter is used to increase the reliability of a broadcast message by retransmitting the broadcast message multiple times. This parameter defines the number of times the device will retransmit a broadcast data packet. This parameter should be adjusted as the link quality measurement changes.

#### Command Parameters:

None.

#### Return Parameters:

*Status:*

*Size: 1 Byte*

Value	Parameter Description
0x00	Read_Num_Broadcast_Retransmissions command succeeded.
0x01-0xFF	Read_Num_Broadcast_Retransmissions command failed. See <a href="#">Table 6.1 on page 745</a> for list of Error Codes.

*Num\_Broadcast\_Regran:*

*Size: 1 Byte*

Value	Parameter Description
N = 0xFF	Number of Broadcast Retransmissions = N Range 0x00-0xFF

#### Event(s) generated (unless masked away):

When the Read\_Num\_Broadcast\_Retransmission command has completed, a Command Complete event will be generated.

#### 4.7.34 Write\_Num\_Broadcast\_Retransmissions

Command	OCF	Command Parameters	Return Parameters
HCI_Write_Num_Broadcast_Retransmissions	0x002A	Num_Broadcast_Retran	Status

##### Description:

This command will write the device's parameter value for the Number of Broadcast Retransmissions. Broadcast packets are not acknowledged and are unreliable. The Number of Broadcast Retransmissions parameter is used to increase the reliability of a broadcast message by retransmitting the broadcast message multiple times. This parameter defines the number of times the device will retransmit a broadcast data packet. This parameter should be adjusted as link quality measurement change.

##### Command Parameters:

*Num\_Broadcast\_Retran:*

*Size: 1 Byte*

Value	Parameter Description
N = 0xXX	Number of Broadcast Retransmissions = N Range 0x00-0xFF Default: N = 0x01

##### Return Parameters:

*Status:*

*Size: 1 Byte*

Value	Parameter Description
0x00	Write_Num_Broadcast_Retransmissions command succeeded.
0x01-0xFF	Write_Num_Broadcast_Retransmissions command failed. See <a href="#">Table 6.1 on page 745</a> for list of Error Codes.

##### Event(s) generated (unless masked away):

When the Write\_Num\_Broadcast\_Retransmissions command has completed, a Command Complete event will be generated.

### 4.7.35 Read\_Hold\_Mode\_Activity

Command	OCF	Command Parameters	Return Parameters
HCI_Read_Hold_Mode_Activity	0x002B		Status, Hold_Mode_Activity

#### Description:

This command will read the value for the Hold\_Mode\_Activity parameter. The Hold\_Mode\_Activity value is used to determine what activities should be suspended when the device is in hold mode. After the hold period has expired, the device will return to the previous mode of operation. Multiple hold mode activities may be specified for the Hold\_Mode\_Activity parameter by performing a bitwise OR operation of the different activity types. If no activities are suspended, then all of the current Periodic Inquiry, Inquiry Scan, and Page Scan settings remain valid during the Hold Mode. If the Hold\_Mode\_Activity parameter is set to Suspend Page Scan, Suspend Inquiry Scan, and Suspend Periodic Inquiries, then the device can enter a low-power state during the Hold Mode period, and all activities are suspended. Suspending multiple activities can be specified for the Hold\_Mode\_Activity parameter by performing a bitwise OR operation of the different activity types. The Hold Mode Activity is only valid if all connections are in Hold Mode.

#### Command Parameters:

None.

#### Return Parameters:

*Status:*

*Size: 1 Byte*

Value	Parameter Description
0x00	Read_Hold_Mode_Activity command succeeded.
0x01-0xFF	Read_Hold_Mode_Activity command failed. See <a href="#">Table 6.1 on page 745</a> for list of Error Codes.

*Hold\_Mode\_Activity:*

*Size: 1 Byte*

Value	Parameter Description
0x00	Maintain current Power State.
0x01	Suspend Page Scan.
0x02	Suspend Inquiry Scan.
0x04	Suspend Periodic Inquiries.
0x08-0xFF	Reserved for Future Use.

**Event(s) generated (unless masked away):**

When the Read\_Hold\_Mode\_Activity command has completed, a Command Complete event will be generated.

### 4.7.36 Write\_Hold\_Mode\_Activity

Command	OCF	Command Parameters	Return Parameters
HCI_Write_Hold_Mode_Activity	0x002C	Hold_Mode_Activity	Status

#### Description:

This command will write the value for the Hold\_Mode\_Activity parameter. The Hold\_Mode\_Activity value is used to determine what activities should be suspended when the device is in hold mode. After the hold period has expired, the device will return to the previous mode of operation. Multiple hold mode activities may be specified for the Hold\_Mode\_Activity parameter by performing a bitwise OR operation of the different activity types. If no activities are suspended, then all of the current Periodic Inquiry, Inquiry Scan, and Page Scan settings remain valid during the Hold Mode. If the Hold\_Mode\_Activity parameter is set to Suspend Page Scan, Suspend Inquiry Scan, and Suspend Periodic Inquiries, then the device can enter a low power state during the Hold Mode period and all activities are suspended. Suspending multiple activities can be specified for the Hold\_Mode\_Activity parameter by performing a bitwise OR operation of the different activity types. The Hold Mode Activity is only valid if all connections are in Hold Mode.

#### Command Parameters:

*Hold\_Mode\_Activity:*

*Size: 1 Byte*

Value	Parameter Description
0x00	Maintain current Power State. <b>Default.</b>
0x01	Suspend Page Scan.
0x02	Suspend Inquiry Scan.
0x04	Suspend Periodic Inquiries.
0x08-0xFF	Reserved for Future Use.

#### Return Parameters:

*Status:*

*Size: 1 Byte*

Value	Parameter Description
0x00	Write_Hold_Mode_Activity command succeeded.
0x01-0xFF	Write_Hold_Mode_Activity command failed. See <a href="#">Table 6.1 on page 745</a> for list of Error Codes.

#### Event(s) generated (unless masked away):

When the Write\_Hold\_Mode\_Activity command has completed, a Command Complete event will be generated.

### 4.7.37 Read\_Transmit\_Power\_Level

Command	OCF	Command Parameters	Return Parameters
HCI_Read_Transmit_Power_Level	0x002D	Connection_Handle, Type	Status, Connection_Handle, Transmit_Power_Level

#### Description:

This command will read the values for the Transmit\_Power\_Level parameter for the specified Connection Handle. The Connection\_Handle must be a Connection\_Handle for an ACL connection.

#### Command Parameters:

*Connection\_Handle:* *Size: 2 Bytes (12 Bits meaningful)*

Value	Parameter Description
0xXXXX	Specifies which Connection Handle's Transmit Power Level setting to read. Range: 0x0000-0x0EFF (0x0F00 - 0x0FFF Reserved for future use)

*Type:* *Size: 1 Byte*

Value	Parameter Description
0x00	Read Current Transmit Power Level.
0x01	Read Maximum Transmit Power Level.
0x02-0xFF	Reserved

#### Return Parameters:

*Status:* *Size: 1 Byte*

Value	Parameter Description
0x00	Read_Transmit_Power_Level command succeeded.
0x01-0xFF	Read_Transmit_Power_Level command failed. See <a href="#">Table 6.1 on page 745</a> for list of Error Codes.

*Connection\_Handle:* *Size: 2 Bytes (12 Bits meaningful)*

Value	Parameter Description
0xXXXX	Specifies which Connection Handle's Transmit Power Level setting is returned. Range: 0x0000-0x0EFF (0x0F00 - 0x0FFF Reserved for future use)



*Transmit\_Power\_Level:**Size: 1 Byte*

Value	Parameter Description
N = 0xXX	Size: 1 Byte (signed integer) Range: $-30 \leq N \leq 20$ Units: dBm

**Event(s) generated (unless masked away):**

When the Read\_Transmit\_Power\_Level command has completed, a Command Complete event will be generated.

### 4.7.38 Read\_SCO\_Flow\_Control\_Enable

Command	OCF	Command Parameters	Return Parameters
HCI_Read_SCO_Flow_Control_Enable	0x002E		Status, SCO_Flow_Control_Enable

#### Description:

The Read\_SCO\_Flow\_Control\_Enable command provides the ability to read the SCO\_Flow\_Control\_Enable setting. By using this setting, the Host can decide if the Host Controller will send Number Of Completed Packets events for SCO Connection Handles. This setting allows the Host to enable and disable SCO flow control.

Note: the SCO\_Flow\_Control\_Enable setting can only be changed if no connections exist.

#### Command Parameters:

None.

#### Return Parameters:

*Status:*

*Size: 1 Byte*

Value	Parameter Description
0x00	Read_SCO_Flow_Control_Enable command succeeded
0x01-0xFF	Read_SCO_Flow_Control_Enable command failed see <a href="#">Table 6.1 on page 746</a> for list of Error Codes

*SCO\_Flow\_Control\_Enable:*

*Size: 1 Byte*

Value	Parameter Description
0x00	SCO Flow Control is disabled. No Number of Completed Packets events will be sent from the Host Controller for SCO Connection Handles.
0x01	SCO Flow Control is enabled. Number of Completed Packets events will be sent from the Host Controller for SCO Connection Handles.

#### Event(s) generated (unless masked away):

When the Read\_SCO\_Flow\_Control\_Enable command has completed a Command Complete event will be generated.

**4.7.39 Write\_SCO\_Flow\_Control\_Enable**

Command	OCF	Command Parameters	Return Parameters
HCI_Write_SCO_Flow_Control_Enable	0x002F	SCO_Flow_Control_Enable	Status

**Description:**

The Write\_SCO\_Flow\_Control\_Enable command provides the ability to write the SCO\_Flow\_Control\_Enable setting. By using this setting, the Host can decide if the Host Controller will send Number Of Completed Packets events for SCO Connection Handles. This setting allows the Host to enable and disable SCO flow control.

Note: the SCO\_Flow\_Control\_Enable setting can only be changed if no connections exist.

**Command Parameters:**

*SCO\_Flow\_Control\_Enable:*

*Size: 1 Byte*

Value	Parameter Description
0x00	SCO Flow Control is disabled. No Number of Completed Packets events will be sent from the Host Controller for SCO Connection Handles. <b>Default</b>
0x01	SCO Flow Control is enabled. Number of Completed Packets events will be sent from the Host Controller for SCO Connection Handles.

**Return Parameters:**

*Status:*

*Size: 1 Byte*

Value	Parameter Description
0x00	Write_SCO_Flow_Control_Enable command succeeded
0x01-0xFF	Write_SCO_Flow_Control_Enable command failed see <a href="#">Table 6.1 on page 746</a> for list of Error Codes

**Event(s) generated (unless masked away):**

When the Write\_SCO\_Flow\_Control\_Enable command has completed a Command Complete event will be generated.

#### 4.7.40 Set\_Host\_Controller\_To\_Host\_Flow\_Control

Command	OCF	Command Parameters	Return Parameters
HCI_Set_Host_Controller_To_Host_Flow_Control	0x0031	Flow_Control_Enable	Status

##### Description:

This command is used by the Host to turn flow control on or off in the direction from the Host Controller to the Host. If flow control is turned off, the Host should not send the Host\_Number\_Of\_Completed\_Packets command. That command will be ignored by the Host Controller if it is sent by the Host and flow control is off.

##### Command Parameters:

*Flow\_Control\_Enable:*

*Size: 1 Byte*

Value	Parameter Description
0x00	Flow control <b>off</b> in direction from Host Controller to Host. <b>Default.</b>
0x01	Flow control <b>on</b> in direction from Host Controller to Host.
0x02-0xFF	Reserved

##### Return Parameters:

*Status:*

*Size: 1 Byte*

Value	Parameter Description
0x00	Set_Host_Controller_To_Host_Flow_Control command succeeded.
0x01-0xFF	Set_Host_Controller_To_Host_Flow_Control command failed. See <a href="#">Table 6.1 on page 7450</a> for list of Error Codes.

##### Event(s) generated (unless masked away):

When the Set\_Host\_Controller\_To\_Host\_Flow\_Control command has completed, a Command Complete event will be generated.

#### 4.7.41 Host\_Buffer\_Size

Command	OCF	Command Parameters	Return Parameters
HCI_Host_Buffer_Size	0x0033	Host_ACL_Data_Packet_Length, Host_SCO_Data_Packet_Length, Host_Total_Num_ACL_Data_Packets, Host_Total_Num_SCO_Data_Packets	Status

#### Description:

The Host\_Buffer\_Size command is used by the Host to notify the Host Controller about the maximum size of the data portion of HCI ACL and SCO Data Packets sent from the Host Controller to the Host. The Host Controller will segment the data to be transmitted from the Host Controller to the Host according to these sizes, so that the HCI Data Packets will contain data with up to these sizes. The Host\_Buffer\_Size command also notifies the Host Controller about the total number of HCI ACL and SCO Data Packets that can be stored in the data buffers of the Host. If flow control from the Host Controller to the Host is turned off, and the Host\_Buffer\_Size command has not been issued by the Host, this means that the Host Controller will send HCI Data Packets to the Host with any lengths the Host Controller wants to use, and it is assumed that the data buffer sizes of the Host are unlimited. If flow control from the Host controller to the Host is turned on, the Host\_Buffer\_Size command must after a power-on or a reset always be sent by the Host before the first Host\_Number\_Of\_Completed\_Packets command is sent.

(The [Set\\_Host\\_Controller\\_To\\_Host\\_Flow\\_Control](#) command is used to turn flow control on or off.) The Host\_ACL\_Data\_Packet\_Length command parameter will be used to determine the size of the L2CAP segments contained in ACL Data Packets, which are transferred from the Host Controller to the Host. The Host\_SCO\_Data\_Packet\_Length command parameter is used to determine the maximum size of HCI SCO Data Packets. Both the Host and the Host Controller must support command and event packets, where the data portion (excluding header) contained in the packets is 255 bytes in size.

The Host\_Total\_Num\_ACL\_Data\_Packets command parameter contains the total number of HCI ACL Data Packets that can be stored in the data buffers of the Host. The Host Controller will determine how the buffers are to be divided between different Connection Handles. The Host\_Total\_Num\_SCO\_Data\_Packets command parameter gives the same information for HCI SCO Data Packets.

Note: the Host\_ACL\_Data\_Packet\_Length and Host\_SCO\_Data\_Packet\_Length command parameters do not include the length of the HCI Data Packet header.

**Command Parameters:***Host\_ACL\_Data\_Packet\_Length:**Size: 2 Bytes*

Value	Parameter Description
0xFFFF	Maximum length (in bytes) of the data portion of each HCI ACL Data Packet that the Host is able to accept.

*Host\_SCO\_Data\_Packet\_Length:**Size: 1 Byte*

Value	Parameter Description
0xFF	Maximum length (in bytes) of the data portion of each HCI SCO Data Packet that the Host is able to accept.

*Host\_Total\_Num\_ACL\_Data\_Packets:**Size: 2 Bytes*

Value	Parameter Description
0xFFFF	Total number of HCI ACL Data Packets that can be stored in the data buffers of the Host.

*Host\_Total\_Num\_SCO\_Data\_Packets:**Size: 2 Bytes*

Value	Parameter Description
0xFFFF	Total number of HCI SCO Data Packets that can be stored in the data buffers of the Host.

**Return Parameters:***Status:**Size: 1 Byte*

Value	Parameter Description
0x00	Host_Buffer_Size command succeeded.
0x01-0xFF	Host_Buffer_Size command failed. See <a href="#">Table 6.1 on page 745</a> for list of Error Codes.

**Event(s) generated (unless masked away):**

When the Host\_Buffer\_Size command has completed, a Command Complete event will be generated.

#### 4.7.42 Host\_Number\_Of\_Completed\_Packets

Command	OCF	Command Parameters	Return Parameters
HCI_Host_Number_Of_Completed_Packets	0x0035	Number_Of_Handles, Connection_Handle[i], Host_Num_Of_Completed_Packets [i]	

##### Description:

The Host\_Number\_Of\_Completed\_Packets command is used by the Host to indicate to the Host Controller the number of HCI Data Packets that have been completed for each Connection Handle since the previous Host\_Number\_Of\_Completed\_Buffers command was sent to the Host Controller. This means that the corresponding buffer space has been freed in the Host. Based on this information, and the Host\_Total\_Num\_ACL\_Data\_Packets and Host\_Total\_Num\_SCO\_Data\_Packets command parameters of the Host\_Buffer\_Size command, the Host Controller can determine for which Connection Handles the following HCI Data Packets should be sent to the Host. The command should only be issued by the Host if flow control in the direction from the Host Controller to the Host is on and there is at least one connection, or if the Host Controller is in local loopback mode. Otherwise, the command will be ignored by the Host Controller. While the Host has HCI Data Packets in its buffers, it must keep sending the Host\_Number\_Of\_Completed\_Packets command to the Host Controller at least periodically, until it finally reports that all buffer space in the Host used by ACL Data Packets has been freed. The rate with which this command is sent is manufacturer specific.

(The [Set\\_Host\\_Controller\\_To\\_Host\\_Flow\\_Control](#) command is used to turn flow control on or off.) If flow control from the Host controller to the Host is turned on, the Host\_Buffer\_Size command must after a power-on or a reset always be sent by the Host before the first

Host\_Number\_Of\_Completed\_Packets command is sent.

Note: the Host\_Number\_Of\_Completed\_Packets command is a special command in the sense that no event is normally generated after the command has completed. The command may be sent at any time by the Host when there is at least one connection, or if the Host Controller is in local loopback mode independent of other commands. The normal flow control for commands is not used for the Host\_Number\_Of\_Completed\_Packets command.

**Command Parameters:***Number\_Of\_Handles:**Size: 1 Byte*

Value	Parameter Description
0xXX	The number of Connection Handles and Host_Num_Of_Completed_Packets parameters pairs contained in this command. Range: 0-255

*Connection\_Handle[i]: Size: Number\_Of\_Handles\*2 Bytes (12 Bits meaningful)*

Value	Parameter Description
0XXXXX	Connection Handle Range: 0x0000-0x0EFF (0x0F00 - 0x0FFF Reserved for future use)

*Host\_Num\_Of\_Completed\_Packets [i]: Size: Number\_Of\_Handles \* 2 Bytes*

Value	Parameter Description
N = 0XXXXX	The number of HCI Data Packets that have been completed for the associated Connection Handle since the previous time the event was returned. Range for N: 0x0000-0xFFFF

**Return Parameters:**

None.

**Event(s) generated (unless masked away):**

Normally, no event is generated after the Host\_Number\_Of\_Completed\_Packets command has completed. However, if the Host\_Number\_Of\_Completed\_Packets command contains one or more invalid parameters, the Host Controller will return a Command Complete event with a failure status indicating the Invalid HCI Command Parameters error code. The Host may send the Host\_Number\_Of\_Completed\_Packets command at any time when there is at least one connection, or if the Host Controller is in local loopback mode. The normal flow control for commands is not used for this command.



**4.7.43 Read\_Link\_Supervision\_Timeout**

Command	OCF	Command Parameters	Return Parameters
HCI_Read_Link_Supervision_Timeout	0x0036	Connection_Handle	Status, Connection_Handle, Link_Supervision_Timeout

**Description:**

This command will read the value for the Link\_Supervision\_Timeout parameter for the device. The Link\_Supervision\_Timeout parameter is used by the master or slave Bluetooth device to monitor link loss. If, for any reason, no Baseband packets are received from that Connection Handle for a duration longer than the Link\_Supervision\_Timeout, the connection is disconnected. The same timeout value is used for both SCO and ACL connections for the device specified by the Connection Handle.

Note: the Connection\_Handle used for this command must be the ACL connection to the appropriate device. This command will set the Link\_Supervision\_Timeout values for other SCO Connection\_Handle to that device.

Note: Setting the Link\_Supervision\_Timeout to No Link\_Supervision\_Timeout (0x0000) will disable the Link\_Supervision\_Timeout check for the specified Connection Handle. This makes it unnecessary for the master of the piconet to unpark and then park each Bluetooth Device every ~40 seconds. By using the No Link\_Supervision\_Timeout setting, the scalability of the Park mode is not limited.

**Command Parameters:**

*Connection\_Handle:* *Size: 2 Bytes (12 Bits meaningful)*

Value	Parameter Description
0xXXXX	Specifies which Connection Handle's Link Supervision Timeout value is to be read. Range: 0x0000-0x0EFF (0x0F00 - 0x0FFF Reserved for future use)

**Return Parameters:**

*Status:* *Size: 1 Byte*

Value	Parameter Description
0x00	Read_Link_Supervision_Timeout command succeeded.
0x01-0xFF	Read_Link_Supervision_Timeout command failed. See <a href="#">Table 6.1 on page 745</a> for list of Error Codes.

*Connection\_Handle:**Size: 2 Bytes (12 Bits meaningful)*

Value	Parameter Description
0xXXXX	Specifies which Connection Handle's Link Supervision Timeout value was read. Range: 0x0000-0x0EFF (0x0F00 - 0x0FFF Reserved for future use)

*Link\_Supervision\_Timeout:**Size: 2 Bytes*

Value	Parameter Description
0x0000	No Link_Supervision_Timeout.
N = 0xXXXX	Measured in Number of Baseband slots Link_Supervision_Timeout = N * 0.625 msec (1 Baseband slot) Range for N: 0x0001 – 0xFFFF Time Range: 0.625ms - 40.9 sec

**Event(s) generated (unless masked away):**

When the Read\_Link\_Supervision\_Timeout command has completed, a Command Complete event will be generated.

#### 4.7.44 Write Link\_Supervision\_Timeout

Command	OCF	Command Parameters	Return Parameters
HCI_Write_Link_Supervision_Timeout	0x0037	Connection_Handle, Link_Supervision_Timeout	Status, Connection_Handle

#### Description:

This command will write the value for the Link\_Supervision\_Timeout parameter for the device. The Link\_Supervision\_Timeout parameter is used by the master or slave Bluetooth device to monitor link loss. If, for any reason, no Baseband packets are received from that Connection\_Handle for a duration longer than the Link\_Supervision\_Timeout, the connection is disconnected. The same timeout value is used for both SCO and ACL connections for the device specified by the Connection\_Handle.

Note: the Connection\_Handle used for this command must be the ACL connection to the appropriate device. This command will set the Link\_Supervision\_Timeout values for other SCO Connection\_Handle to that device.

Note: Setting the Link\_Supervision\_Timeout parameter to No Link\_Supervision\_Timeout (0x0000) will disable the Link\_Supervision\_Timeout check for the specified Connection Handle. This makes it unnecessary for the master of the piconet to unpark and then park each Bluetooth Device every ~40 seconds. By using the No Link\_Supervision\_Timeout setting, the scalability of the Park mode is not limited.

#### Command Parameters:

*Connection\_Handle:* *Size: 2 Bytes (12 Bits meaningful)*

Value	Parameter Description
0xXXXX	Specifies which Connection Handle's Link Supervision Timeout value is to be written. Range: 0x0000-0x0EFF (0x0F00 - 0x0FFF Reserved for future use)

*Link\_Supervision\_Timeout:* *Size: 2 Bytes*

Value	Parameter Description
0x0000	No Link_Supervision_Timeout.
N = 0xXXXX	Measured in Number of Baseband slots Link_Supervision_Timeout = N*0.625 msec (1 Baseband slot) Range for N: 0x0001 – 0xFFFF Time Range: 0.625ms – 40.9 sec <b>Default:</b> N = 0x7D00 Link_Supervision_Timeout = 20 sec

**Return Parameters:***Status:**Size: 1 Byte*

Value	Parameter Description
0x00	Write_Link_Supervision_Timeout command succeeded.
0x01-0xFF	Write_Link_Supervision_Timeout command failed. See <a href="#">Table 6.1 on page 745</a> for list of Error Codes.

*Connection\_Handle:**Size: 2 Bytes (12 Bits meaningful)*

Value	Parameter Description
0xFFFF	Specifies which Connection Handle's Link Supervision Timeout value was written. Range: 0x0000-0x0EFF (0x0F00 - 0x0FFF Reserved for future use)

**Event(s) generated (unless masked away):**

When the Write\_Link\_Supervision\_Timeout command has completed, a Command Complete event will be generated.

**4.7.45 Read\_Number\_Of\_Supported\_IAC**

Command	OCF	Command Parameters	Return Parameters
HCI_Read_Number_Of_Supported_IAC	0x0038		Status, Num_Support_IAC

**Description:**

This command will read the value for the number of Inquiry Access Codes (IAC) that the local Bluetooth device can simultaneous listen for during an Inquiry Scan. All Bluetooth devices are required to support at least one IAC, the General Inquiry Access Code (GIAC or UIAC), but some Bluetooth devices support additional IACs.

**Command Parameters:**

None

**Return Parameters:**

*Status:*

*Size: 1 Byte*

Value	Parameter Description
0x00	Read_Number_Of_Supported_IAC command succeeded.
0x01-0xFF	Read_Number_Of_Supported_IAC command failed. See <a href="#">Table 6.1 on page 745</a> for list of Error Codes.

*Num\_Support\_IAC*

*Size: 1 Byte*

Value	Parameter Description
0xXX	Specifies the number of Supported IAC that the local Bluetooth device can simultaneous listen for during an Inquiry Scan. Range: 0x01-0x40

**Event(s) generated (unless masked away):**

When the Read\_Number\_Of\_Supported\_IAC command has completed, a Command Complete event will be generated.

### 4.7.46 Read\_Current\_IAC\_LAP

Command	OCF	Command Parameters	Return Parameters
HCI_Read_Current_IAC_LAP	0x0039		Status, Num_Current_IAC, IAC_LAP[i]

**Description:**

This command reads the LAP(s) used to create the Inquiry Access Codes (IAC) that the local Bluetooth device is simultaneously scanning for during Inquiry Scans. All Bluetooth devices are required to support at least one IAC (GIAC or UIAC). Some Bluetooth devices support additional IACs.

**Command Parameters:**

None

**Return Parameters:**

*Status:*

*Size: 1 Byte*

Value	Parameter Description
0x00	Read_Current_IAC_LAP command succeeded.
0x01-0xFF	Read_Current_IAC_LAP command failed. See <a href="#">Table 6.1 on page 745</a> for list of Error Codes.

*Num\_Current\_IAC*

*Size: 1 Byte*

Value	Parameter Description
0xXX	Specifies the number of IACs which are currently in use by the local Bluetooth device to simultaneously listen for during an Inquiry Scan. Range: 0x01-0x40

*IAC\_LAP[i]*

*Size: 3 Bytes \* Num\_Current\_IAC*

Value	Parameter Description
0XXXXXX	LAPs used to create the IAC which is currently in use by the local Bluetooth device to simultaneously listen for during an Inquiry Scan. Range: 0x9E8B00-0x9E8B3F

**Event(s) generated (unless masked away):**

When the Read\_Current\_IAC\_LAP command has completed, a Command Complete event will be generated.

### 4.7.47 Write\_Current\_IAC\_LAP

Command	OCF	Command Parameters	Return Parameters
HCI_Write_Current_IAC_LAP	0x003A	Num_Current_IAC, IAC_LAP[i]	Status

**Description:**

This command writes the LAP(s) used to create the Inquiry Access Codes (IAC) that the local Bluetooth device is simultaneously scanning for during Inquiry Scans. All Bluetooth devices are required to support at least one IAC (GIAC or UIAC). Some Bluetooth devices support additional IACs. Therefore, the LAP used to create the GIAC or UIAC must be among the IAC\_LAP parameters of this command.

Note: this command writes over the current IACs used by the Bluetooth device. If the value of the NumCurrentIAC is more than the number of supported IACs, then only the first, X Inquiry Access Codes (where X equals the number of supported IACs) will be stored without any error.

**Command Parameters:**

*Num\_Current\_IAC*

*Size: 1 Byte*

Value	Parameter Description
0xXX	Specifies the number of IACs which are currently in use by the local Bluetooth device to simultaneously listen for during an Inquiry Scan. Range: 0x01-0x40

*IAC\_LAP[i]*

*Size: 3 Bytes \* Num\_Current\_IAC*

Value	Parameter Description
0xXXXXXX	LAP(s) used to create IAC which is currently in use by the local Bluetooth device to simultaneously listen for during an Inquiry Scan. Range: 0x9E8B00-0x9E8B3F. The GIAC is the default IAC to be used. If additional IACs are supported, additional default IAC will be determined by the manufacturer.

**Return Parameters:***Status:**Size: 1 Byte*

Value	Parameter Description
0x00	Write_Current_IAC_LAP command succeeded.
0x01-0xFF	Write_Current_IAC_LAP command failed. See <a href="#">Table 6.1 on page 745</a> for list of Error Codes.

**Event(s) generated (unless masked away):**

When the Write\_Current\_IAC\_LAP command has completed, a Command Complete event will be generated.



**4.7.48 Read\_Page\_Scan\_Period\_Mode**

Command	OCF	Command Parameters	Return Parameters
HCI_Read_Page_Scan_Period_Mode	0x003B		Status, Page_Scan_Period_Mode

**Description:**

This command is used to read the mandatory Page\_Scan\_Period\_Mode of the local Bluetooth device. Every time an inquiry response message is sent, the Bluetooth device will start a timer (T\_mandatory\_pscan), the value of which is dependent on the Page\_Scan\_Period\_Mode. As long as this timer has not expired, the Bluetooth device will use the Page\_Scan\_Period\_Mode for all following page scans.

Note: the timer T\_mandatory\_pscan will be reset at each new inquiry response. For details see the “[Baseband Specification](#)” on page 33. (Keyword: SP-Mode, FHS-Packet, T\_mandatory\_pscan, Inquiry-Response).

After transmitting one or more inquiry response (FHS) packets as a result of the inquiry scan process, the local Bluetooth device is allowed to enter the page scan state using mandatory page scan mode regardless of the setting of the Scan\_Enable parameter.

**Command Parameters:**

None

**Return Parameters:**

*Status:*

*Size: 1 Byte*

Value	Parameter Description
0x00	Read_Page_Scan_Period_Mode command succeeded.
0x01-0xFF	Read_Page_Scan_Period_Mode command failed. See <a href="#">Table 6.1 on page 745</a> for list of Error Codes.

*Page\_Scan\_Period\_Mode:*

*Size: 1 Byte*

Value	Parameter Description
0x00	P0
0x01	P1
0x02	P2
0x03-0xFF	Reserved.

**Event(s) generated (unless masked away):**

When the Read\_Page\_Scan\_Period\_Mode command has completed, a Command Complete event will be generated.

### 4.7.49 Write\_Page\_Scan\_Period\_Mode

Command	OCF	Command Parameters	Return Parameters
HCI_Write_Page_Scan_Period_Mode	0x003C	Page_Scan_Period_Mode	Status

**Description:**

This command is used to write the mandatory Page\_Scan\_Period\_Mode of the local Bluetooth device. Every time an inquiry response message is sent, the Bluetooth device will start a timer (T\_mandatory\_pscan), the value of which is dependent on the Page\_Scan\_Period\_Mode. As long as this timer has not expired, the Bluetooth device will use the Page\_Scan\_Period\_Mode for all following page scans.

Note: the timer T\_mandatory\_pscan will be reset at each new inquiry response. For details see the “[Baseband Specification](#)” on page 33. (Keyword: SP-Mode, FHS-Packet, T\_mandatory\_pscan, Inquiry-Response).

After transmitting one or more inquiry response (FHS) packets as a result of the inquiry scan process, the local Bluetooth device is allowed to enter the page scan state using mandatory page scan mode regardless of the setting of the Scan\_Enable parameter.

**Command Parameters:**

*Page\_Scan\_Period\_Mode:*

*Size: 1 Byte*

Value	Parameter Description
0x00	P0. Default.
0x01	P1
0x02	P2
0x03-0xFF	Reserved.

**Return Parameters:**

*Status:*

*Size: 1 Byte*

Value	Parameter Description
0x00	Write_Page_Scan_Period_Mode command succeeded.
0x01-0xFF	Write_Page_Scan_Period_Mode command failed. See <a href="#">Table 6.1 on page 745</a> for list of Error Codes.

**Event(s) generated (unless masked away):**

When the Write\_Page\_Scan\_Period\_Mode command has completed, a Command Complete event will be generated.

### 4.7.50 Read\_Page\_Scan\_Mode

Command	OCF	Command Parameters	Return Parameters
HCI_Read_Page_Scan_Mode	0x003D		Status, Page_Scan_Mode

#### Description:

This command is used to read the default page scan mode of the local Bluetooth device. The Page\_Scan\_Mode parameter indicates the page scan mode that is used for default page scan. Currently one mandatory page scan mode and three optional page scan modes are defined. Following an inquiry response, if the Baseband timer T\_mandatory\_pscan has not expired, the mandatory page scan mode must be applied. For details see the [“Baseband Specification” on page 33](#) (Keyword: Page-Scan-Mode, FHS-Packet, T\_mandatory\_pscan)

#### Command Parameters:

None

#### Return Parameters:

*Status:*

*Size: 1 Byte*

Value	Parameter Description
0x00	Read_Page_Scan_Mode command succeeded.
0x01-0xFF	Read_Page_Scan_Mode command failed. See <a href="#">Table 6.1 on page 745</a> for list of Error Codes.

*Page\_Scan\_Mode:*

*Size: 1 Byte*

Value	Parameter Description
0x00	Mandatory Page Scan Mode
0x01	Optional Page Scan Mode I
0x02	Optional Page Scan Mode II
0x03	Optional Page Scan Mode III
0x04-0xFF	Reserved

#### Event(s) generated (unless masked away):

When the Read\_Page\_Scan\_Mode command has completed, a Command Complete event will be generated.

#### 4.7.51 Write\_Page\_Scan\_Mode

Command	OCF	Command Parameters	Return Parameters
HCI_Write_Page_Scan_Mode	0x003E	Page_Scan_Mode	Status

##### Description:

This command is used to write the default page scan mode of the local Bluetooth device. The Page\_Scan\_Mode parameter indicates the page scan mode that is used for the default page scan. Currently, one mandatory page scan mode and three optional page scan modes are defined. Following an inquiry response, if the Baseband timer T\_mandatory\_pscan has not expired, the mandatory page scan mode must be applied. For details see the [“Baseband Specification” on page 33](#). (Keyword: Page-Scan-Mode, FHS-Packet, T\_mandatory\_pscan).

##### Command Parameters:

*Page\_Scan\_Mode:*

*Size: 1 Byte*

Value	Parameter Description
0x00	Mandatory Page Scan Mode. <b>Default.</b>
0x01	Optional Page Scan Mode I
0x02	Optional Page Scan Mode II
0x03	Optional Page Scan Mode III
0x04-0xFF	Reserved.

##### Return Parameters:

*Status:*

*Size: 1 Byte*

Value	Parameter Description
0x00	Write_Page_Scan_Mode command succeeded.
0x01-0xFF	Write_Page_Scan_Mode command failed. See <a href="#">Table 6.1 on page 745</a> for list of Error Codes.

##### Event(s) generated (unless masked away):

When the Write\_Page\_Scan\_Mode command has completed, a Command Complete event will be generated.

## 4.8 INFORMATIONAL PARAMETERS

The Informational Parameters are fixed by the manufacturer of the Bluetooth hardware. These parameters provide information about the Bluetooth device and the capabilities of the Host Controller, Link Manager, and Baseband. The host device cannot modify any of these parameters. For Informational Parameters Commands, the OGF is defined as 0x04

Command	Command Summary Description
<a href="#">Read_Local_Version_Information</a>	The <a href="#">Read_Local_Version_Information</a> command will read the values for the version information for the local Bluetooth device.
<a href="#">Read_Local_Supported_Features</a>	The <a href="#">Read_Local_Supported_Features</a> command requests a list of the supported features for the local device.
<a href="#">Read_Buffer_Size</a>	The <a href="#">Read_Buffer_Size</a> command returns the size of the HCI buffers. These buffers are used by the Host Controller to buffer data that is to be transmitted.
<a href="#">Read_Country_Code</a>	The <a href="#">Read_Country_Code</a> command will read the value for the Country Code status parameter. The Country Code defines which range of frequency band of the ISM 2.4 GHz band will be used by the device.
<a href="#">Read_BD_ADDR</a>	The <a href="#">Read_BD_ADDR</a> command will read the value for the BD_ADDR parameter. The BD_ADDR is a 48-bit unique identifier for a Bluetooth device.

### 4.8.1 Read\_Local\_Version\_Information

Command	OCF	Command Parameters	Return Parameters
HCI_Read_Local_Version_Information	0x0001		Status, HCI Version, HCI Revision, LMP Version, Manufacturer_Name, LMP Subversion

#### Description:

This command will read the values for the version information for the local Bluetooth device. The version information consists of two parameters: the version and revision parameters.

The version parameter defines the major hardware version of the Bluetooth hardware. The version parameter only changes when new versions of the Bluetooth hardware are produced for new Bluetooth SIG specifications. The version parameter is controlled by the SIG.

The revision parameter should be controlled by the manufacturer and should be changed as needed. The Manufacturer\_Name parameter indicates the manufacturer of the local Bluetooth module as specified by the LMP definition of this parameter. The subversion parameter should be controlled by the manufacturer and should be changed as needed. The subversion parameter defines the various revisions that each version of the Bluetooth hardware will go through as design processes change and errors are fixed. This allows the software to determine what Bluetooth hardware is being used, and to work around various bugs in the hardware if necessary.

#### Command Parameters:

None.

#### Return Parameters:

Status:

Size: 1 Byte

Value	Parameter Description
0x00	Read_Local_Version_Information command succeeded.
0x01-0xFF	Read_Local_Version_Information command failed. See <a href="#">Table 6.1 on page 745</a> for list of Error Codes.

*HCI\_Version:**Size: 1 Byte*

Value	Parameter Description
0xXX	Version of the Current HCI in the Bluetooth hardware. 0x00: Bluetooth HCI Specification 1.0 0x01-0xFF: Reserved

*HCI\_Revision:**Size: 2 Bytes*

Value	Parameter Description
0xXXXX	Revision of the Current HCI in the Bluetooth hardware.

*LMP\_Version:**Size: 1 Byte*

Value	Parameter Description
0xXX	Version of the Current LMP in the Bluetooth Hardware, see <a href="#">Table 5.2 on page 231</a> in the Link Manager Protocol for assigned values (VersNr).

*Manufacturer\_Name:**Size: 2 Bytes*

Value	Parameter Description
0xXXXX	Manufacturer Name of the Bluetooth Hardware, see <a href="#">Table 5.2 on page 231</a> in the Link Manager Protocol for assigned values (Compld).

*LMP\_Subversion:**Size: 2 Bytes*

Value	Parameter Description
0xXXXX	Subversion of the Current LMP in the Bluetooth Hardware, see <a href="#">Table 5.2 on page 231</a> in the Link Manager Protocol for assigned values (SubVersNr).

**Event(s) generated (unless masked away):**

When the Read\_Local\_Version\_Information command has completed, a Command Complete event will be generated.



## 4.8.2 Read\_Local\_Supported\_Features

Command	OCF	Command Parameters	Return Parameters
HCI_Read_Local_Supported_Features	0x0003		Status, LMP_Features

### Description:

This command requests a list of the supported features for the local device. This command will return a list of the LMP features. For details see [“Link Manager Protocol” on page 185](#).

### Command Parameters:

None.

### Return Parameters:

*Status:*

*Size: 1 Byte*

Value	Parameter Description
0x00	Read_Local_Supported_Features command succeeded.
0x01-0xFF	Read_Local_Supported_Features command failed. See <a href="#">Table 6.1 on page 745</a> for list of Error Codes.

*LMP\_Features:*

*Size: 8 Bytes*

Value	Parameter Description
0xFFFFFFFF XXXXXXXX	Bit Mask List of LMP features. For details see <a href="#">“Link Manager Protocol” on page 185</a>

### Event(s) generated (unless masked away):

When the Read\_Local\_Supported\_Features command has completed, a Command Complete event will be generated.

### 4.8.3 Read\_Buffer\_Size

Command	OCF	Command Parameters	Return Parameters
HCI_Read_Buffer_Size	0x0005		Status, HC_ACL_Data_Packet_Length, HC_SCO_Data_Packet_Length, HC_ Total_Num_ACL_Data_Packets, HC_Total_Num_SCO_Data_Packets

#### Description:

The Read\_Buffer\_Size command is used to read the maximum size of the data portion of HCI ACL and SCO Data Packets sent from the Host to the Host Controller. The Host will segment the data to be transmitted from the Host to the Host Controller according to these sizes, so that the HCI Data Packets will contain data with up to these sizes. The Read\_Buffer\_Size command also returns the total number of HCI ACL and SCO Data Packets that can be stored in the data buffers of the Host Controller. The Read\_Buffer\_Size command must be issued by the Host before it sends any data to the Host Controller.

The HC\_ACL\_Data\_Packet\_Length return parameter will be used to determine the size of the L2CAP segments contained in ACL Data Packets, which are transferred from the Host to the Host Controller to be broken up into baseband packets by the Link Manager. The HC\_SCO\_Data\_Packet\_Length return parameter is used to determine the maximum size of HCI SCO Data Packets. Both the Host and the Host Controller must support command and event packets, where the data portion (excluding header) contained in the packets is 255 bytes in size. The HC\_Total\_Num\_ACL\_Data\_Packets return parameter contains the total number of HCI ACL Data Packets that can be stored in the data buffers of the Host Controller. The Host will determine how the buffers are to be divided between different Connection Handles. The HC\_Total\_Num\_SCO\_Data\_Packets return parameter gives the same information but for HCI SCO Data Packets.

Note: the HC\_ACL\_Data\_Packet\_Length and HC\_SCO\_Data\_Packet\_Length return parameters do not include the length of the HCI Data Packet header.

#### Command Parameters:

None.

**Return Parameters:***Status:**Size: 1 Byte*

Value	Parameter Description
0x00	Read_Buffer_Size command succeeded.
0x01-0xFF	Read_Buffer_Size command failed. See <a href="#">Table 6.1 on page 745</a> for list of Error Codes.

*HC\_ACL\_Data\_Packet\_Length:**Size: 2 Bytes*

Value	Parameter Description
0xFFFF	Maximum length (in bytes) of the data portion of each HCI ACL Data Packet that the Host Controller is able to accept.

*HC\_SCO\_Data\_Packet\_Length:**Size: 1 Byte*

Value	Parameter Description
0xFF	Maximum length (in bytes) of the data portion of each HCI SCO Data Packet that the Host Controller is able to accept.

*HC\_Total\_Num\_ACL\_Data\_Packets:**Size: 2 Bytes*

Value	Parameter Description
0xFFFF	Total number of HCI ACL Data Packets that can be stored in the data buffers of the Host Controller.

*HC\_Total\_Num\_SCO\_Data\_Packets:**Size: 2 Bytes*

Value	Parameter Description
0xFFFF	Total number of HCI SCO Data Packets that can be stored in the data buffers of the Host Controller.

**Event(s) generated (unless masked away):**

When the Read\_Buffer\_Size command has completed, a Command Complete event will be generated.

#### 4.8.4 Read\_Country\_Code

Command	OCF	Command Parameters	Return Parameters
HCI_Read_Country_Code	0x0007		Status, Country_Code

##### Description:

This command will read the value for the Country\_Code return parameter. The Country\_Code defines which range of frequency band of the ISM 2.4 GHz band will be used by the device. Each country has local regulatory bodies regulating which ISM 2.4 GHz frequency ranges can be used.

##### Command Parameters:

None.

##### Return Parameters:

*Status:*

*Size: 1 Byte*

Value	Parameter Description
0x00	Read_Country_Code command succeeded.
0x01-0xFF	Read_Country_Code command failed. See <a href="#">Table 6.1 on page 745</a> for list of Error Codes.

*Country\_Code:*

*Size: 1 Byte*

Value	Parameter Description
0x00	North America & Europe*
0x01	France
0x02	Spain
0x03	Japan
0x04-FF	Reserved for Future Use.

\*. Except Spain and France

##### Event(s) generated (unless masked away):

When the Read\_Country\_Code command has completed, a Command Complete event will be generated.

**4.8.5 Read\_BD\_ADDR**

Command	OCF	Command Parameters	Return Parameters
HCI_Read_BD_ADDR	0x0009		Status, BD_ADDR

**Description:**

This command will read the value for the BD\_ADDR parameter. The BD\_ADDR is a 48-bit unique identifier for a Bluetooth device. See the “Baseband Specification” on page 33 for details of how BD\_ADDR is used.

**Command Parameters:**

None.

**Return Parameters:**

*Status:*

*Size: 1 Byte*

Value	Parameter Description
0x00	Read_BD_ADDR command succeeded.
0x01-0xFF	Read_BD_ADDR command failed. See Table 6.1 on page 745 for list of Error Codes.

*BD\_ADDR:*

*Size: 6 Bytes*

Value	Parameter Description
0XXXXXXXXXXXXXX	BD_ADDR of the Device

**Event(s) generated (unless masked away):**

When the Read\_BD\_ADDR command has completed, a Command Complete event will be generated.

## 4.9 STATUS PARAMETERS

The Host Controller modifies all status parameters. These parameters provide information about the current state of the Host Controller, Link Manager, and Baseband. The host device cannot modify any of these parameters other than to reset certain specific parameters. For the Status and baseband, the OGF is defined as 0x05

Command	Command Summary Description
<a href="#">Read_Failed_Contact_Counter</a>	The <a href="#">Read_Failed_Contact_Counter</a> will read the value for the Failed_Contact_Counter parameter for a particular connection to another device. The Failed_Contact_Counter records the number of consecutive incidents in which either the slave or master didn't respond after the flush timeout had expired, and the L2CAP packet that was currently being transmitted was automatically 'flushed'.
<a href="#">Reset_Failed_Contact_Counter</a>	The <a href="#">Reset_Failed_Contact_Counter</a> will reset the value for the Failed_Contact_Counter parameter for a particular connection to another device. The Failed_Contact_Counter records the number of consecutive incidents in which either the slave or master didn't respond after the flush timeout had expired and the L2CAP packet that was currently being transmitted was automatically 'flushed'.
<a href="#">Get_Link_Quality</a>	The <a href="#">Get_Link_Quality</a> command will read the value for the Link_Quality for the specified Connection Handle.
<a href="#">Read_RSSI</a>	The <a href="#">Read_RSSI</a> command will read the value for the Received Signal Strength Indication (RSSI) for a connection handle to another Bluetooth device.

### 4.9.1 Read\_Failed\_Contact\_Counter

Command	OCF	Command Parameters	Return Parameters
HCI_Read_Failed_Contact_Counter	0x0001	Connection_Handle	Status, Connection_Handle, Failed_Contact_Counter

#### Description:

This command will read the value for the Failed\_Contact\_Counter parameter for a particular connection to another device. The Connection\_Handle must be a Connection\_Handle for an ACL connection. The Failed\_Contact\_Counter records the number of consecutive incidents in which either the slave or master didn't respond after the flush timeout had expired, and the L2CAP packet that was currently being transmitted was automatically 'flushed'. When this occurs, the Failed\_Contact\_Counter is incremented by 1. The Failed\_Contact\_Counter for a connection is reset to zero on the following conditions:

1. When a new connection is established
2. When the Failed\_Contact\_Counter is > zero and an L2CAP packet is acknowledged for that connection
3. When the Reset\_Failed\_Contact\_Counter command has been issued

#### Command Parameters:

*Connection\_Handle:*

*Size: 2 Bytes (12 Bits meaningful)*

Value	Parameter Description
0xXXXX	The Connection Handle for the Connection for which the Failed Contact Counter should be read. Range: 0x0000-0x0EFF (0x0F00 - 0x0FFF Reserved for future use)

#### Return Parameters:

*Status:*

*Size: 1 Byte*

Value	Parameter Description
0x00	Read_Failed_Contact_Counter command succeeded.
0x01-0xFF	Read_Failed_Contact_Counter command failed. See <a href="#">Table 6.1 on page 745</a> for list of Error Codes.

*Connection\_Handle:**Size: 2 Bytes (12 Bits meaningful)*

Value	Parameter Description
0XXXXX	The Connection Handle for the Connection for which the Failed Contact Counter has been read. Range: 0x0000-0x0EFF (0x0F00 - 0x0FFF Reserved for future use)

*Failed\_Contact\_Counter:**Size: 2 Bytes*

Value	Parameter Description
0XXXXX	Number of consecutive failed contacts for a connection corresponding to the connection handle.

**Event(s) generated (unless masked away):**

When the Read\_Failed\_Contact\_Counter command has completed, a Command Complete event will be generated.



### 4.9.2 Reset\_Failed\_Contact\_Counter

Command	OCF	Command Parameters	Return Parameters
HCI_Reset_Failed_Contact_Counter	0x0002	Connection_Handle	Status, Connection_Handle

#### Description:

This command will reset the value for the Failed\_Contact\_Counter parameter for a particular connection to another device. The Connection\_Handle must be a Connection\_Handle for an ACL connection. The Failed\_Contact\_Counter records the number of consecutive incidents in which either the slave or master didn't respond after the flush timeout had expired, and the L2CAP packet that was currently being transmitted was automatically 'flushed'. When this occurs, the Failed\_Contact\_Counter is incremented by 1. The Failed\_Contact\_Counter for a connection is reset to zero on the following conditions:

1. When a new connection is established
2. When the Failed\_Contact\_Counter is > zero and an L2CAP packet is acknowledged for that connection
3. When the Reset\_Failed\_Contact\_Counter command has been issued

#### Command Parameters:

*Connection\_Handle:* *Size: 2 Bytes (12 Bits meaningful)*

Value	Parameter Description
0xXXXX	The Connection Handle for the Connection for which the Failed Contact Counter should be reset. Range: 0x0000-0x0EFF (0x0F00 - 0x0FFF Reserved for future use)

#### Return Parameters:

*Status:* *Size: 1 Byte*

Value	Parameter Description
0x00	Reset_Failed_Contact_Counter command succeeded.
0x01-0xFF	Reset_Failed_Contact_Counter command failed. See <a href="#">Table 6.1 on page 745</a> for list of Error Codes.

*Connection\_Handle:**Size: 2 Bytes (12 Bits meaningful)*

Value	Parameter Description
0xXXXX	The Connection Handle for the Connection for which the Failed Contact Counter has been reset. Range: 0x0000-0x0EFF (0x0F00 - 0x0FFF Reserved for future use)

**Event(s) generated (unless masked away):**

When the Reset\_Failed\_Contact\_Counter command has completed, a Command Complete event will be generated.

### 4.9.3 Get\_Link\_Quality

Command	OCF	Command Parameters	Return Parameters
HCI_Get_Link_Quality	0x0003	Connection_Handle	Status, Connection_Handle, Link_Quality

#### Description:

This command will return the value for the Link\_Quality for the specified Connection Handle. The Connection\_Handle must be a Connection\_Handle for an ACL connection. This command will return a Link\_Quality value from 0-255, which represents the quality of the link between two Bluetooth devices. The higher the value, the better the link quality is. Each Bluetooth module vendor will determine how to measure the link quality.

#### Command Parameters:

*Connection\_Handle:*

*Size: 2 Bytes (12 Bits meaningful)*

Value	Parameter Description
0xXXXX	The Connection Handle for the connection for which link quality parameters are to be read. Range: 0x0000-0x0EFF (0x0F00 - 0x0FFF Reserved for future use)

#### Return Parameters:

*Status:*

*Size: 1 Byte*

Value	Parameter Description
0x00	Get_Link_Quality command succeeded.
0x01-0xFF	Get_Link_Quality command failed. See <a href="#">Table 6.1 on page 745</a> for list of Error Codes.

*Connection\_Handle:*

*Size: 2 Bytes (12 Bits meaningful)*

Value	Parameter Description
0xXXXX	The Connection Handle for the connection for which the link quality parameter has been read. Range: 0x0000-0x0EFF (0x0F00 - 0x0FFF Reserved for future use)

*Link\_Quality:**Size: 1 Byte*

Value	Parameter Description
0xXX	The current quality of the Link connection between the local device and the remote device specified by the Connection Handle Range: 0x00 – 0xFF The higher the value, the better the link quality is.

**Event(s) generated (unless masked away):**

When the Get\_Link\_Quality command has completed, a Command Complete event will be generated.

### 4.9.4 Read\_RSSI

Command	OCF	Command Parameters	Return Parameters
HCI_Read_RSSI	0x0005	Connection_Handle	Status, Connection_Handle,RSSI

#### Description:

This command will read the value for the difference between the measured Received Signal Strength Indication (RSSI) and the limits of the Golden Receive Power Range (see Radio Specification [Section 4.7 on page 26](#)) for a connection handle to another Bluetooth device. The Connection\_Handle must be a Connection\_Handle for an ACL connection. Any positive RSSI value returned by the Host Controller indicates how many dB the RSSI is above the upper limit, any negative value indicates how many dB the RSSI is below the lower limit. The value zero indicates that the RSSI is inside the Golden Receive Power Range.

Note: how accurate the dB values will be depends on the Bluetooth hardware. The only requirements for the hardware are that the Bluetooth device is able to tell whether the RSSI is inside, above or below the Golden Device Power Range.

#### Command Parameters:

*Connection\_Handle:* *Size: 2 Bytes (12 Bits meaningful)*

Value	Parameter Description
0xXXXX	The Connection Handle for the Connection for which the RSSI is to be read. Range: 0x0000-0x0EFF (0x0F00 - 0x0FFF Reserved for future use)

#### Return Parameters:

*Status:* *Size: 1 Byte*

Value	Parameter Description
0x00	Read_RSSI command succeeded.
0x01-0xFF	Read_RSSI command failed. See <a href="#">Table 6.1 on page 745</a> for list of Error Codes.

*Connection\_Handle:* *Size: 2 Bytes (12 Bits meaningful)*

Value	Parameter Description
0xXXXX	The Connection Handle for the Connection for which the RSSI has been read. Range: 0x0000-0x0EFF (0x0F00 - 0x0FFF Reserved for future use)

**RSSI:***Size: 1 Byte*

Value	Parameter Description
N = 0xXX	Size: 1 Byte (signed integer) Range: $-128 \leq N \leq 127$ Units: dB

**Event(s) generated (unless masked away):**

When the Read\_RSSI command has completed, a Command Complete event will be generated.

## 4.10 TESTING COMMANDS

The Testing commands are used to provide the ability to test various functionalities of the Bluetooth hardware. These commands provide the ability to arrange various conditions for testing. For the Testing Commands, the OGF is defined as 0x06

Command	Command Summary Description
<a href="#">Read_Loopback_Mode</a>	The <a href="#">Read_Loopback_Mode</a> will read the value for the setting of the Host Controllers Loopback Mode. The setting of the Loopback Mode will determine the path of information.
<a href="#">Write_Loopback_Mode</a>	The <a href="#">Write_Loopback_Mode</a> will write the value for the setting of the Host Controllers Loopback Mode. The setting of the Loopback Mode will determine the path of information.
<a href="#">Enable_Device_Under_Test_Mode</a>	The <a href="#">Enable_Device_Under_Test_Mode</a> command will allow the local Bluetooth module to enter test mode via LMP test commands. The Host issues this command when it wants the local device to be the DUT for the Testing scenarios as described in the Bluetooth Test Mode document.

### 4.10.1 Read\_Loopback\_Mode

Command	OCF	Command Parameters	Return Parameters
HCI_Read_Loopback_Mode	0x0001		Status, Loopback_Mode

#### Description:

This command will read the value for the setting of the Host Controller's Loopback Mode. The setting of the Loopback Mode will determine the path of information. In Non-testing Mode operation, the Loopback Mode is set to Non-testing Mode and the path of the information is as specified by the Bluetooth specifications. In Local Loopback Mode, every Data Packet (ACL and SCO) and Command Packet that is sent from the Host to the Host Controller is sent back with no modifications by the Host Controller, as shown in [Fig. 4.5 on page 697](#).

When the Bluetooth Host Controller enters Local Loopback Mode, it shall respond with four Connection Complete events, one for an ACL channel and three for SCO channels, so that the Host gets connection handles to use when sending ACL and SCO data. When in Local Loopback Mode the Host Controller loops back commands and data to the Host. The Loopback Command event is used to loop back commands that the Host sends to the Host Controller.

There are some commands that are not looped back in Local Loopback Mode: Reset, Set\_Host\_Controller\_To\_Host\_Flow\_Control, Host\_Buffer\_Size, Host\_Number\_Of\_Completed\_Packets, Read\_Buffer\_Size, Read\_Loopback\_Mode and Write\_Loopback\_Mode. These commands should be executed in the way they are normally executed. The commands Reset and Write\_Loopback\_Mode can be used to exit local loopback mode. If Write\_Loopback\_Mode is used to exit Local Loopback Mode, four Disconnection Complete events should be sent to the Host, corresponding to the Connection Complete events that were sent when entering Local Loopback Mode. Furthermore, no connections are allowed in Local Loopback mode. If there is a connection and there is an attempt to set the device to Local Loopback Mode, the attempt will be refused. When the device is in Local Loopback Mode, the Host Controller will refuse incoming connection attempts. This allows the Host Controller Transport Layer to be tested without any other variables.

If a device is set to Remote Loopback Mode, it will send back all data (ACL and SCO) that comes over the air, and it will only allow a maximum of one ACL connection and three SCO connections – and these should be all to the same remote device. If there already are connections to more than one remote device and there is an attempt to set the local device to Remote Loopback Mode, the attempt will be refused. See [Fig. 4.6 on page 697](#) where the rightmost device is set to Remote Loopback Mode and the leftmost device is set to



Non-testing Mode. This allows the Bluetooth Air link to be tested without any other variables.

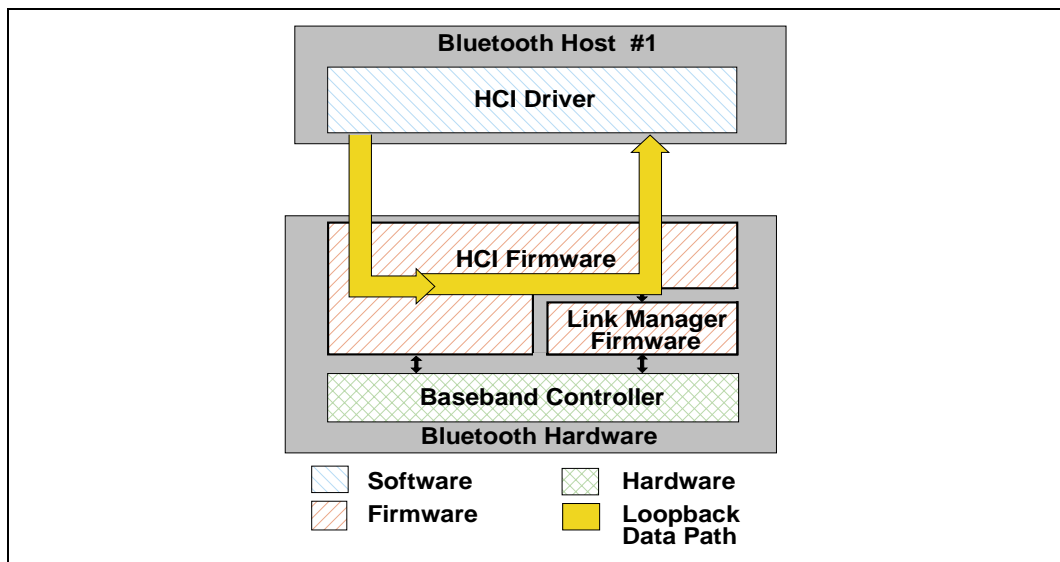


Figure 4.5: Local Loopback Mode

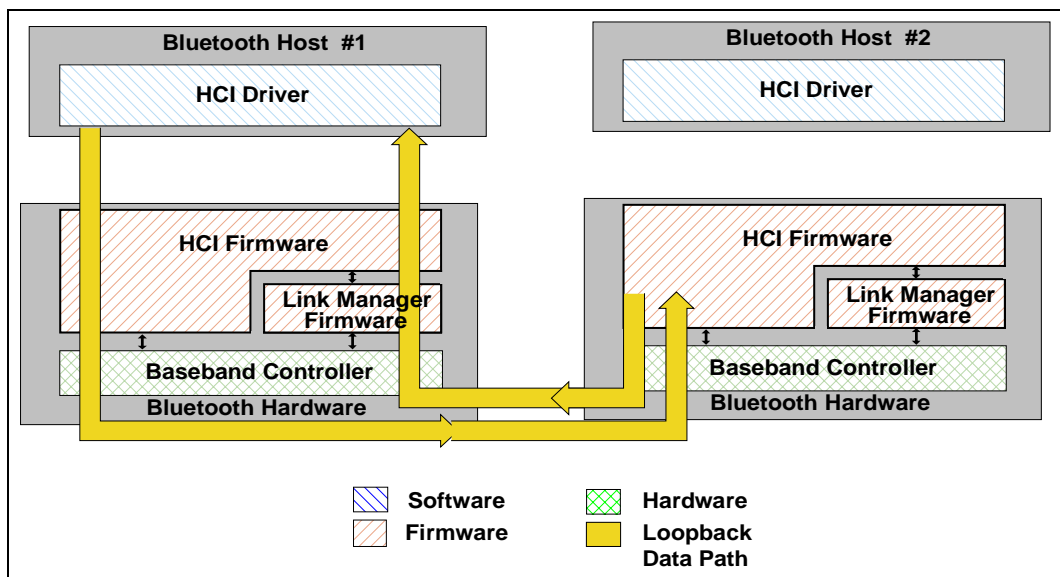


Figure 4.6: Remote Loopback Mode

**Command Parameters:**

None.

**Return Parameters:***Status:**Size: 1 Byte*

Value	Parameter Description
0x00	Read_Loopback_Mode command succeeded.
0x01-0xFF	Read_Loopback_Mode command failed. See Table 2 on page 260 for list of Error Codes.

*Loopback\_Mode:**Size: 1 Byte*

Value	Parameter Description
0x00	No Loopback mode enabled. <b>Default.</b>
0x01	Enable Local Loopback.
0x02	Enable Remote Loopback.
0x03-0xFF	Reserved for Future Use.

**Event(s) generated (unless masked away):**

When the Read\_Loopback\_Mode command has completed, a Command Complete event will be generated.

### 4.10.2 Write\_Loopback\_Mode

Command	OCF	Command Parameters	Return Parameters
HCI_Write_Loopback_Mode	0x0002	Loopback_Mode	Status

#### Description:

This command will write the value for the setting of the Host Controller's Loopback Mode. The setting of the Loopback Mode will determine the path of information. In Non-testing Mode operation, the Loopback Mode is set to Non-testing Mode and the path of the information as specified by the Bluetooth specifications. In Local Loopback Mode, every Data Packet (ACL and SCO) and Command Packet that is sent from the Host to the Host Controller is sent back with no modifications by the Host Controller, as shown in [Fig. 4.7 on page 700](#).

When the Bluetooth Host Controller enters Local Loopback Mode, it shall respond with four Connection Complete events, one for an ACL channel and three for SCO channels, so that the Host gets connection handles to use when sending ACL and SCO data. When in Local Loopback Mode, the Host Controller loops back commands and data to the Host. The Loopback Command event is used to loop back commands that the Host sends to the Host Controller.

There are some commands that are not looped back in Local Loopback Mode: Reset, Set\_Host\_Controller\_To\_Host\_Flow\_Control, Host\_Buffer\_Size, Host\_Number\_Of\_Completed\_Packets, Read\_Buffer\_Size, Read\_Loopback\_Mode and Write\_Loopback\_Mode. These commands should be executed in the way they are normally executed. The commands Reset and Write\_Loopback\_Mode can be used to exit local loopback mode.

If Write\_Loopback\_Mode is used to exit Local Loopback Mode, four Disconnection Complete events should be sent to the Host corresponding to the Connection Complete events that were sent when entering Local Loopback Mode. Furthermore, no connections are allowed in Local Loopback mode. If there is a connection, and there is an attempt to set the device to Local Loopback Mode, the attempt will be refused. When the device is in Local Loopback Mode, the Host Controller will refuse incoming connection attempts. This allows the Host Controller Transport Layer to be tested without any other variables.

If a device is set to Remote Loopback Mode, it will send back all data (ACL and SCO) that comes over the air. It will only allow a maximum of one ACL connection and three SCO connections, and these should all be to the same remote device. If there already are connections to more than one remote device and there is an attempt to set the local device to Remote Loopback Mode, the attempt will be refused.

See Fig. 4.8 on page 700, where the rightmost device is set to Remote Loopback Mode and the leftmost device is set to Non-testing Mode. This allows the Bluetooth Air link to be tested without any other variables.

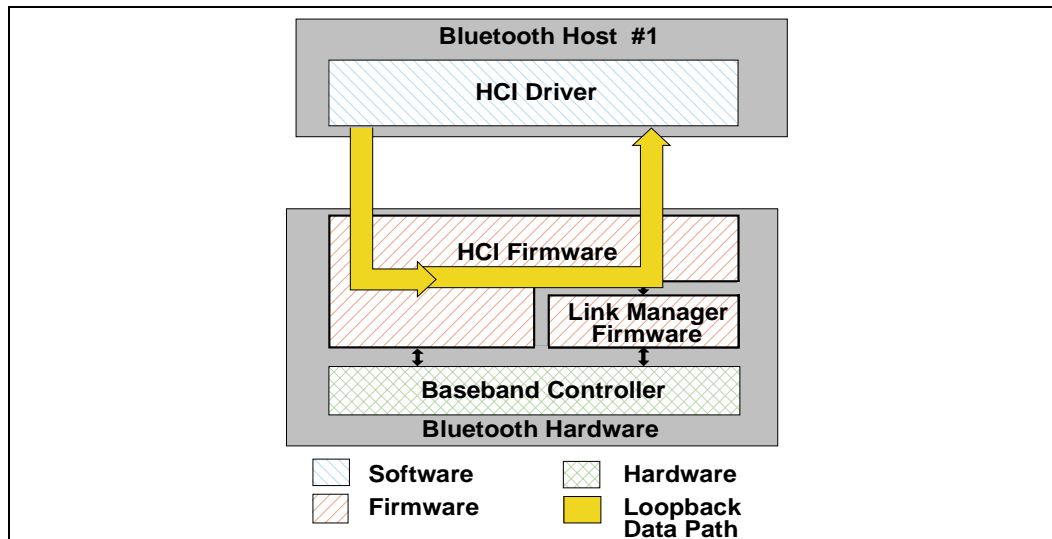


Figure 4.7: Local Loopback Mode

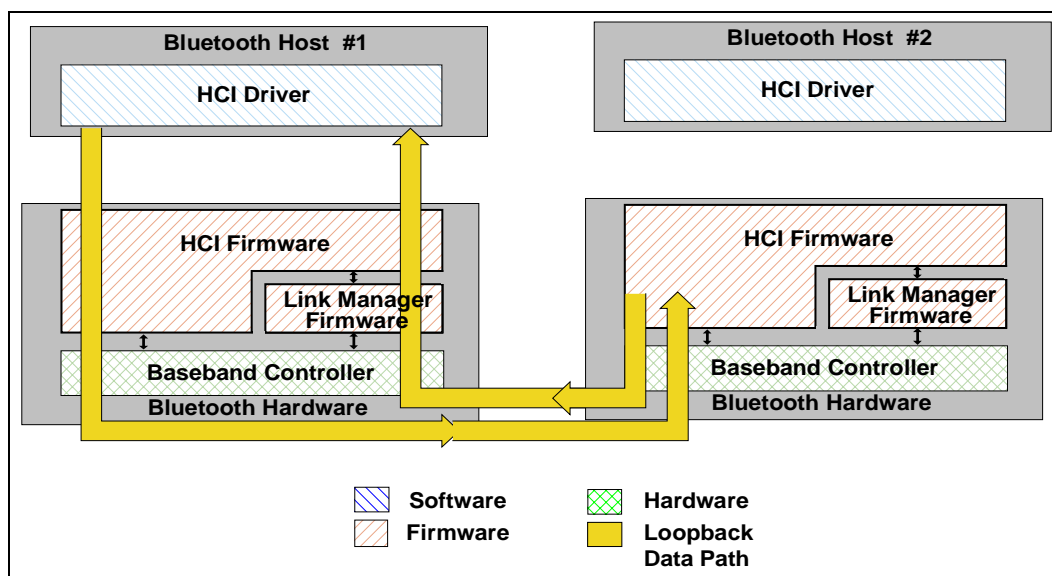


Figure 4.8: Remote Loopback Mode

**Command Parameters:***Loopback\_Mode:**Size: 1 Byte*

Value	Parameter Description
0x00	No Loopback mode enabled. <b>Default.</b>
0x01	Enable Local Loopback.
0x02	Enable Remote Loopback.
0x03-0xFF	Reserved for Future Use.

**Return Parameters:***Status:**Size: 1 Byte*

Value	Parameter Description
0x00	Write_Loopback_Mode command succeeded.
0x01-0xFF	Write_Loopback_Mode command failed. See <a href="#">Table 6.1 on page 745</a> for list of Error Codes.

**Event(s) generated (unless masked away):**

When the Write\_Loopback\_Mode command has completed, a Command Complete event will be generated.

### 4.10.3 Enable\_Device\_Under\_Test\_Mode

Command	OCF	Command Parameters	Return Parameters
HCI_Enable_Device_Under_Test_Mode	0x0003		Status

#### Description:

The Enable\_Device\_Under\_Test\_Mode command will allow the local Bluetooth module to enter test mode via LMP test commands. For details see “[Link Manager Protocol](#)” on page 185. The Host issues this command when it wants the local device to be the DUT for the Testing scenarios as described in the “[Bluetooth Test Mode](#)” on page 803. When the Host Controller receives this command, it will complete the command with a Command Complete event. The Host Controller functions as normal until the remote tester issues the LMP test command to place the local device into Device Under Test mode. To disable and exit the Device Under Test Mode, the Host can issue the HCI\_Reset command. This command prevents remote Bluetooth devices from causing the local Bluetooth device to enter test mode without first issuing this command.

#### Command Parameters:

None.

#### Return Parameters:

*Status:*

*Size: 1 Byte*

Value	Parameter Description
0x00	Enter_Device_Under_Test_Mode command succeeded.
0x01-0xFF	Enter_Device_Under_Test_Mode command failed. See <a href="#">Table 6.1 on page 745</a> for list of Error Codes.

#### Event(s) generated (unless masked away):

When the Enter\_Device\_Under\_Test\_Mode command has completed, a Command Complete event will be generated.

## 5 EVENTS

### 5.1 EVENT

In addition to the events listed below, event code 0xFF is reserved for the event code used for vendor-specific debug events, and event code 0xFE is reserved for Bluetooth Logo Testing.

Event	Event Summary Description
Inquiry Complete event	The Inquiry Complete event indicates that the Inquiry is finished.
Inquiry Result event	The Inquiry Result event indicates that a Bluetooth device or multiple Bluetooth devices have responded so far during the current Inquiry process.
Connection Complete event	The Connection Complete event indicates to both of the Hosts forming the connection that a new connection has been established.
Connection Request event	The Connection Request event is used to indicate that a new incoming connection is trying to be established.
Disconnection Complete event	The Disconnection Complete event occurs when a connection has been terminated.
Authentication Complete event	The Authentication Complete event occurs when authentication has been completed for the specified connection.
Remote Name Request Complete event	The Remote Name Request Complete event is used to indicate a remote name request has been completed. The Remote_Name event parameter is a UTF-8 encoded string with up to 248 bytes in length.
Encryption Change event	The Encryption Change event is used to indicate that the change in the encryption has been completed for the Connection Handle specified by the Connection_Handle event parameter.
Change Connection Link Key Complete event	The Change Connection Link Key Complete event is used to indicate that the change in the Link Key for the Connection Handle specified by the Connection_Handle event parameter had been completed.
Master Link Key Complete event	The Master Link Key Complete event is used to indicate that the change in the temporary Link Key or in the semi-permanent link keys on the Bluetooth master side has been completed.
Read Remote Supported Features Complete event	The Read Remote Supported Features Complete event is used to indicate the completion of the process of the Link Manager obtaining the supported features of the remote Bluetooth device specified by the Connection_Handle event parameter.

Table 5.1: List of Supported Events

Event	Event Summary Description
Read Remote Version Information Complete event	The Read Remote Version Information Complete event is used to indicate the completion of the process of the Link Manager obtaining the version information of the remote Bluetooth device specified by the Connection_Handle event parameter.
QoS Setup Complete event	The QoS Setup Complete event is used to indicate the completion of the process of the Link Manager setting up QoS with the remote Bluetooth device specified by the Connection_Handle event parameter.
Command Complete event	The Command Complete event is used by the Host Controller to pass the return status of a command and the other event parameters for each HCI Command.
Command Status event	The Command Status event is used to indicate that the command described by the Command_Opcode parameter has been received and the Host Controller is currently performing the task for this command.
Hardware Error event	The Error event is used to indicate some type of hardware failure for the Bluetooth device.
Flush Occurred event	The Flush Occurred event is used to indicate that, for the specified Connection Handle, the current user data to be transmitted has been removed.
Role Change event	The Role Change event is used to indicate that the current Bluetooth role related to the particular connection has been changed.
Number Of Completed Packets event	The Number Of Completed Packets event is used by the Host Controller to indicate to the Host how many HCI Data Packets have been completed for each Connection Handle since the previous Number Of Completed Packets event was sent.
Mode Change event	The Mode Change event is used to indicate when the device associated with the Connection Handle changes between Active, Hold, Sniff and Park mode.
Return Link Keys event	The Return Link Keys event is used to return stored link keys after a Read_Stored_Link_Key command is used.
PIN Code Request event	The PIN Code Request event is used to indicate that a PIN code is required to create a new link key for a connection.
Link Key Request event	The Link Key Request event is used to indicate that a Link Key is required for the connection with the device specified in BD_ADDR.
Link Key Notification event	The Link Key Notification event is used to indicate to the Host that a new Link Key has been created for the connection with the device specified in BD_ADDR.
Loopback Command event	The Loopback Command event is used to loop back most commands that the Host sends to the Host Controller.

Table 5.1: List of Supported Events



Event	Event Summary Description
Data Buffer Overflow event	The Data Buffer Overflow event is used to indicate that the Host Controller's data buffers have overflowed, because the Host has sent more packets than allowed.
Max Slots Change event	This event is used to notify the Host about the LMP_Max_Slots parameter when the value of this parameter changes.
Read Clock Offset Complete event	The Read Clock Offset Complete event is used to indicate the completion of the process of the LM obtaining the Clock offset information.
Connection Packet Type Changed event	The Connection Packet Type Changed event is used to indicate the completion of the process of the Link Manager changing the Packet Types used for the specified Connection_Handle.
QoS Violation event	The QoS Violation event is used to indicate the Link Manager is unable to provide the current QoS requirement for the Connection Handle.
Page Scan Mode Change event	The Page Scan Mode Change event indicates that the connected remote Bluetooth device with the specified Connection_Handle has successfully changed the Page_Scan_Mode.
Page Scan Repetition Mode Change event	The Page Scan Repetition Mode Change event indicates that the connected remote Bluetooth device with the specified Connection_Handle has successfully changed the Page_Scan_Repetition_Mode (SR).

Table 5.1: List of Supported Events

## 5.2 POSSIBLE EVENTS

The events provide a method to return parameters and data associated for each event.

### 5.2.1 Inquiry Complete event

Event	Event Code	Event Parameters
Inquiry Complete	0x01	Status, Num_Responses

#### Description:

The Inquiry Complete event indicates that the Inquiry is finished. This event contains a status parameter, which is used to indicate if the Inquiry completed successfully or if the Inquiry was not completed. In addition, the Num\_Responses parameter contains the number of Bluetooth devices, which responded during the latest inquiry.

#### Event Parameters:

*Status:*

*Size: 1 Byte*

Value	Parameter Description
0x00	Inquiry command completed successfully.
0x01-0xFF	Inquiry command failed. See <a href="#">Table 6.1 on page 745</a> for list of Error Codes.

*Num\_Responses:*

*Size: 1 Byte*

Value	Parameter Description
0xXX	Number of responses from the Inquiry.

### 5.2.2 Inquiry Result event

Event	Event Code	Event Parameters
Inquiry Result	0x02	Num_Responses, BD_ADDR[i], Page_Scan_Repetition_Mode[i], Page_Scan_Period_Mode[i], Page_Scan_Mode[i], Class_of_Device[i] Clock_Offset[i]

#### Description:

The Inquiry Result event indicates that a Bluetooth device or multiple Bluetooth devices have responded so far during the current Inquiry process. This event will be sent from the Host Controller to the Host as soon as an Inquiry Response from a remote device is received if the remote device supports only mandatory paging scheme. The Host Controller may queue these Inquiry Responses and send multiple Bluetooth devices information in one Inquiry Result event. The event can be used to return one or more Inquiry responses in one event. This event contains the BD\_ADDR, Page\_Scan\_Repetition\_Mode, Page\_Scan\_Period\_Mode, Page\_Scan\_Mode, Clock\_Offset, and the Class of Device for each Bluetooth device that responded to the latest inquiry.

#### Event Parameters:

*Num\_Responses:*

*Size: 1 Byte*

Value	Parameter Description
0xXX	Number of responses from the Inquiry.

*BD\_ADDR[i]:*

*Size: 6 Bytes \* Num\_Responses*

Value	Parameter Description
0XXXXXXXXXX XX	BD_ADDR for each device which responded.

*Page\_Scan\_Repetition\_Mode[i]:* *Size: 1 Byte \* Num\_Responses*

Value	Parameter Description
0x00	R0
0x01	R1
0x02	R2
0x03 – 0xFF	Reserved

*Page\_Scan\_Period\_Mode[i]:* *Size: 1 Byte \* Num\_Responses*

Value	Parameter Description
0x00	P0
0x01	P1
0x02	P2
0x03 – 0xFF	Reserved

*Page\_Scan\_Mode[i]:* *Size: 1 Byte \* Num\_Responses*

Value	Parameter Description
0x00	Mandatory Page Scan Mode
0x01	Optional Page Scan Mode I
0x02	Optional Page Scan Mode II
0x03	Optional Page Scan Mode III
0x04 – 0xFF	Reserved

*Class\_of\_Device[i]:* *Size: 3 Bytes \* Num\_Responses*

Value	Parameter Description
0XXXXXX	Class of Device for the device

*Clock\_Offset[i]:* *Size: 2 Bytes \* Num\_Responses*

Bit format	Parameter Description
Bit 14.0	Bit 16.2 of CLKslave-CLKmaster.
Bit 15	Reserved

### 5.2.3 Connection Complete event

Event	Event Code	Event Parameters
Connection Complete	0x03	Status, Connection_Handle, BD_ADDR, Link_Type, Encryption_Mode

**Description:**

The Connection Complete event indicates to both of the Hosts forming the connection that a new connection has been established. This event also indicates to the Host, which issued the Create Connection, Add\_SCO\_Connection, or Accept\_Connection\_Request or Reject\_Connection\_Request command and then received a Command Status event, if the issued command failed or was successful.

**Event Parameters:**

*Status:*

*Size: 1 Byte*

Value	Parameter Description
0x00	Connection successfully completed.
0x01-0xFF	Connection failed to Complete. See <a href="#">Table 6.1 on page 745</a> for list of Error Codes.

*Connection\_Handle:*

*Size: 2 Bytes (12 Bits meaningful)*

Value	Parameter Description
0xXXXX	Connection Handle to be used to identify a connection between to Bluetooth devices. The Connection Handle is used as an identifier for transmitting and receiving voice or data. Range: 0x0000-0x0EFF (0x0F00 - 0x0FFF Reserved for future use)

*BD\_ADDR:*

*Size: 6 Bytes*

Value	Parameter Description
0XXXXXXXXXXXXX	BD_ADDR of the other connected Device forming the connection.

*Link\_Type:**Size: 1 Byte*

Value	Parameter Description
0x00	SCO connection (Voice Channels).
0x01	ACL connection (Data Channels).
0x02-0xFF	Reserved for Future Use.

*Encryption\_Mode:**Size: 1 Byte*

Value	Parameter Description
0x00	Encryption disabled.
0x01	Encryption only for point-to-point packets.
0x02	Encryption for both point-to-point and broadcast packets.
0x03-0xFF	Reserved.

### 5.2.4 Connection Request event

Event	Event Code	Event Parameters
Connection Request	0x04	BD_ADDR, Class_of_Device, Link_Type

#### Description:

The Connection Request event is used to indicate that a new incoming connection is trying to be established. The connection may either be accepted or rejected. If this event is masked away and there is an incoming connection attempt and the Host Controller is not set to auto-accept this connection attempt, the Host Controller will automatically refuse the connection attempt. When the Host receives this event, it should respond with either an Accept\_Connection\_Request or Reject\_Connection\_Request command before the timer Conn\_Accept\_Timeout expires.

#### Event Parameters:

*BD\_ADDR:*

*Size: 6 Bytes*

Value	Parameter Description
0XXXXXXXXXXXXX	BD_ADDR of the device that requests the connection.

*Class\_of\_Device:*

*Size: 3 Bytes*

Value	Parameter Description
0XXXXXX	Class of Device for the device, which request the connection.

*Link\_Type:*

*Size: 1 Byte*

Value	Parameter Description
0x00	SCO connection requested (Voice Channels).
0x01	ACL connection requested (Data Channels).
0x02-0xFF	Reserved for Future Use.

### 5.2.5 Disconnection Complete event

Event	Event Code	Event Parameters
Disconnection Complete	0x05	Status, Connection_Handle, Reason

**Description:**

The Disconnection Complete event occurs when a connection is terminated. The status parameter indicates if the disconnection was successful or not. The reason parameter indicates the reason for the disconnection if the disconnection was successful. If the disconnection was not successful, the value of the reason parameter can be ignored by the Host. For example, this can be the case if the Host has issued the Disconnect command and there was a parameter error, or the command was not presently allowed, or a connection handle that didn't correspond to a connection was given.

Note: When a physical link fails, one Disconnection Complete event will be returned for each logical channel on the physical link with the corresponding Connection handle as a parameter.

**Event Parameters:**

*Status:*

*Size: 1 Byte*

Value	Parameter Description
0x00	Disconnection has occurred.
0x01-0xFF	Disconnection failed to complete. See <a href="#">Table 6.1 on page 745</a> for list of Error Codes.

*Connection\_Handle:*

*Size: 2 Bytes (12 Bits meaningful)*

Value	Parameter Description
0xXXXX	Connection Handle which was disconnected. Range: 0x0000-0x0EFF (0x0F00 - 0x0FFF Reserved for future use)

*Reason:*

*Size: 1 Byte*

Value	Parameter Description
0x08, 0x13-0x16, 0x1A	Connection Timeout (0x08), Other End Terminated Connection error codes (0x13-0x15), Connection Terminated by Local Host (0x16), and Unsupported Remote Feature error code (0x1A). See <a href="#">Table 6.1 on page 745</a> for list of Error Codes.



### 5.2.6 Authentication Complete event

Event	Event Code	Event Parameters
Authentication Complete	0x06	Status, Connection_Handle

#### Description:

The Authentication Complete event occurs when authentication has been completed for the specified connection. The Connection\_Handle must be a Connection\_Handle for an ACL connection.

#### Event Parameters:

*Status:*

*Size: 1 Byte*

Value	Parameter Description
0x00	Authentication Request successfully completed.
0x01-0xFF	Authentication Request failed to complete. See <a href="#">Table 6.1 on page 745</a> for list of Error Codes.

*Connection\_Handle:*

*Size: 2 Bytes (12 Bits meaningful)*

Value	Parameter Description
0xXXXX	Connection Handle for which Authentication has been performed. Range: 0x0000-0x0EFF (0x0F00 - 0x0FFF Reserved for future use)

### 5.2.7 Remote Name Request Complete event

Event	Event Code	Event Parameters
Remote Name Request Complete	0x07	Status, BD_ADDR, Remote_Name

**Description:**

The Remote Name Request Complete event is used to indicate that a remote name request has been completed. The Remote\_Name event parameter is a UTF-8 encoded string with up to 248 bytes in length. The Remote\_Name event parameter will be null-terminated (0x00) if the UTF-8 encoded string is less than 248 bytes. The BD\_ADDR event parameter is used to identify which device the user-friendly name was obtained from.

Note: the Remote\_Name Parameter is received starting with the first byte of the name. This is an exception to the Little Endian order format for transmitting multi-byte parameters.

**Event Parameters:**

*Status:*

*Size: 1 Byte*

Value	Parameter Description
0x00	Remote_Name_Request command succeeded.
0x01-0xFF	Remote_Name_Request command failed. See <a href="#">Table 6.1 on page 745</a> for list of Error Codes.

*BD\_ADDR:*

*Size: 6 Bytes*

Value	Parameter Description
0XXXXXXXXXXXXX	BD_ADDR for the device whose name was requested.

*Remote\_Name:*

*Size: 248 Bytes*

Value	Parameter Description
Name[248]	A UTF-8 encoded user-friendly descriptive name for the remote device. A UTF-8 encoded name can be up to 248 bytes in length. If it is shorter than 248 bytes, the end is indicated by a NULL byte (0x00).

## 5.2.8 Encryption Change event

Event	Event Code	Event Parameters
Encryption Change	0x08	Status, Connection_Handle, Encryption_Enable

### Description:

The Encryption Change event is used to indicate that the change in the encryption has been completed for the Connection Handle specified by the Connection\_Handle event parameter. The Connection\_Handle will be a Connection\_Handle for an ACL connection. The Encryption\_Enable event parameter specifies the new Encryption Enable for the Connection Handle specified by the Connection\_Handle event parameter. This event will occur on both devices to notify both Hosts when Encryption has changed for the specified Connection Handle between two devices.

### Event Parameters:

*Status:*

*Size: 1 Byte*

Value	Parameter Description
0x00	Encryption Change has occurred.
0x01-0xFF	Encryption Change failed. See <a href="#">Table 6.1 on page 745</a> for list of Error Codes.

*Connection\_Handle:*

*Size: 2 Bytes (12 Bits meaningful)*

Value	Parameter Description
0xXXXX	Connection Handle for which the link layer encryption has been enabled/disabled for all Connection Handles with the same Bluetooth device endpoint as the specified Connection Handle. Range: 0x0000-0x0EFF (0x0F00 - 0x0FFF Reserved for future use)

*Encryption\_Enable:*

*Size: 1 Byte*

Value	Parameter Description
0x00	Link Level Encryption is OFF.
0x01	Link Level Encryption is ON.

### 5.2.9 Change Connection Link Key Complete event

Event	Event Code	Event Parameters
Change Connection Link Key Complete	0x09	Status, Connection_Handle

#### Description:

The Change Connection Link Key Complete event is used to indicate that the change in the Link Key for the Connection Handle specified by the Connection\_Handle event parameter has been completed.

The Connection\_Handle will be a Connection\_Handle for an ACL connection. The Change Connection Link Key Complete event is sent only to the Host which issued the Change\_Connection\_Link\_Key command.

#### Event Parameters:

*Status:*

*Size: 1 Byte*

Value	Parameter Description
0x00	Change_Connection_Link_Key command succeeded.
0x01-0xFF	Change_Connection_Link_Key command failed. See <a href="#">Table 6.1 on page 745</a> for list of Error Codes.

*Connection\_Handle:*

*Size: 2 Bytes (12 Bits meaningful)*

Value	Parameter Description
0xXXXX	Connection Handle which the Link Key has been change for all Connection Handles with the same Bluetooth device end point as the specified Connection Handle. Range: 0x0000-0x0EFF (0x0F00 - 0x0FFF Reserved for future use)

### 5.2.10 Master Link Key Complete event

Event	Event Code	Event Parameters
Master Link Key Complete	0x0A	Status, Connection_Handle, Key_Flag

**Description:**

The Master Link Key Complete event is used to indicate that the Link Key managed by the master of the piconet has been changed. The Connection\_Handle will be a Connection\_Handle for an ACL connection. The link key used for the connection will be the temporary link key of the master device or the semi-permanent link key indicated by the Key\_Flag. The Key\_Flag event parameter is used to indicate which Link Key (temporary link key of the Master, or the semi-permanent link keys) is now being used in the piconet.

Note: for a master, the change from a semi-permanent Link Key to temporary Link Key will affect all Connection Handles related to the piconet. For a slave, this change affects only this particular connection handle. A temporary link key must be used when both broadcast and point-to-point traffic shall be encrypted.

**Event Parameters:**

*Status:*

*Size: 1 Byte*

Value	Parameter Description
0x00	Master_Link_Key command succeeded.
0x01-0xFF	Master_Link_Key command failed. See <a href="#">Table 6.1 on page 745</a> for list of Error Codes.

*Connection\_Handle:*

*Size: 2 Bytes (12 Bits meaningful)*

Value	Parameter Description
0xXXXX	Connection Handle for which the Link Key has been changed for all devices in the same piconet. Range: 0x0000-0x0EFF (0x0F00 - 0x0FFF Reserved for future use)

*Key\_Flag:*

*Size: 1 Byte*

Value	Parameter Description
0x00	Using Semi-permanent Link Key.
0x01	Using Temporary Link Key.

### 5.2.11 Read Remote Supported Features Complete event

Event	Event Code	Event Parameters
Read Remote Supported Features Complete	0x0B	Status, Connection_Handle, LMP_Features

**Description:**

The Read Remote Supported Features Complete event is used to indicate the completion of the process of the Link Manager obtaining the supported features of the remote Bluetooth device specified by the Connection\_Handle event parameter. The Connection\_Handle will be a Connection\_Handle for an ACL connection. The event parameters include a list of LMP features. For details see [“Link Manager Protocol” on page 185](#).

**Event Parameters:**

*Status:*

*Size: 1 Byte*

Value	Parameter Description
0x00	Read_Remote_Supported_Features command succeeded.
0x01-0xFF	Read_Remote_Supported_Features command failed. See <a href="#">Table 6.1 on page 745</a> for list of Error Codes.

*Connection\_Handle:*

*Size: 2 Bytes (12 Bits meaningful)*

Value	Parameter Description
0xFFFF	Connection Handle which is used for the Read_Remote_Supported_Features command. Range: 0x0000-0x0EFF (0x0F00 - 0x0FFF Reserved for future use)

*LMP\_Features:*

*Size: 8 Bytes*

Value	Parameter Description
0XXXXXXXX XXXXXXXX	Bit Mask List of LMP features. See <a href="#">“Link Manager Protocol” on page 185</a> .

### 5.2.12 Read Remote Version Information Complete event

Event	Event Code	Event Parameters
Read Remote Version Information Complete	0x0C	Status, Connection_Handle, LMP_Version, Manufacturer_Name, LMP_Subversion

#### Description:

The Read Remote Version Information Complete event is used to indicate the completion of the process of the Link Manager obtaining the version information of the remote Bluetooth device specified by the Connection\_Handle event parameter. The Connection\_Handle will be a Connection\_Handle for an ACL connection. The LMP\_Version event parameter defines the major hardware version of the Bluetooth hardware. This event parameter only changes when new versions of the Bluetooth hardware are produced for new Bluetooth SIG specifications; it is controlled by the SIG. The Manufacturer\_Name event parameter indicates the manufacturer of the remote Bluetooth module. The LMP\_

Subversion event parameter should be controlled by the manufacturer and should be changed as needed. The LMP\_Subversion event parameter defines the various revisions that each version of the Bluetooth hardware will go through as design processes change and errors are fixed. This allows the software to determine what Bluetooth hardware is being used and, if necessary, to work around various bugs in the hardware.

#### Event Parameters:

*Status:*

*Size: 1 Byte*

Value	Parameter Description
0x00	Read_Remote_Version_Information command succeeded.
0x01-0xFF	Read_Remote_Version_Information command failed. See <a href="#">Table 6.1 on page 745</a> for list of Error Codes.

*Connection\_Handle:*

*Size: 2 Bytes (12 Bits meaningful)*

Value	Parameter Description
0xXXXX	Connection Handle which is used for the Read_Remote_Version_Information command. Range: 0x0000-0x0EFF (0x0F00 - 0x0FFF Reserved for future use)

*LMP\_Version:**Size: 1 Byte*

Value	Parameter Description
0xXX	Version of the Current LMP in the remote Bluetooth Hardware, see <a href="#">Table 5.2 on page 231</a> in the Link Manager Protocol for assigned values (VersNr).

*Manufacturer\_Name:**Size: 2 Bytes*

Value	Parameter Description
0XXXXX	Manufacturer Name of the remote Bluetooth Hardware, see <a href="#">Table 5.2 on page 231</a> in the Link Manager Protocol for assigned values (Compld).

*LMP\_Subversion:**Size: 2 Bytes*

Value	Parameter Description
0XXXXX	Subversion of the Current LMP in the remote Bluetooth Hardware, see <a href="#">Table 5.2 on page 231</a> in the Link Manager Protocol for assigned values (SubVersNr).



### 5.2.13 QoS Setup Complete event

Event	Event Code	Event Parameters
QoS Setup Complete	0x0D	Status, Connection_Handle, Flags, Service_Type, Token_Rate, Peak_Bandwidth, Latency, Delay_Variation

#### Description:

The QoS Setup Complete event is used to indicate the completion of the process of the Link Manager setting up QoS with the remote Bluetooth device specified by the Connection\_Handle event parameter. The Connection\_Handle will be a Connection\_Handle for an ACL connection. For more detail see “[Logical Link Control and Adaptation Protocol Specification](#)” on page 245.

#### Event Parameters:

*Status:* *Size: 1 Byte*

Value	Parameter Description
0x00	QoS_Setup command succeeded.
0x01-0xFF	QoS_Setup command failed. See <a href="#">Table 6.1 on page 745</a> for list of Error Codes.

*Connection\_Handle:* *Size: 2 Bytes (12 Bits meaningful)*

Value	Parameter Description
0xFFFF	Connection Handle which is used for the QoS_Setup command. Range: 0x0000-0x0EFF (0x0F00 - 0x0FFF Reserved for future use)

*Flags:* *Size: 1 Byte*

Value	Parameter Description
0x00 – 0xFF	Reserved for Future Use.

*Service\_Type:*

*Size: 1 Byte*

Value	Parameter Description
0x00	No Traffic Available.
0x01	Best Effort Available.
0x02	Guaranteed Available.
0x03-0xFF	Reserved for Future Use.

*Token\_Rate:*

*Size: 4 Bytes*

Value	Parameter Description
0XXXXXXXX	Available Token Rate, in bytes per second.

*Peak\_Bandwidth:*

*Size: 4 Bytes*

Value	Parameter Description
0XXXXXXXX	Available Peak Bandwidth, in bytes per second.

*Latency:*

*Size: 4 Bytes*

Value	Parameter Description
0XXXXXXXX	Available Latency, in microseconds.

*Delay\_Variation:*

*Size: 4 Bytes*

Value	Parameter Description
0XXXXXXXX	Available Delay Variation, in microseconds.

### 5.2.14 Command Complete event

Event	Event Code	Event Parameters
Command Complete	0x0E	Num_HCI_Command_Packets, Command_Opcode, Return_Parameters

**Description:**

The Command Complete event is used by the Host Controller for most commands to transmit return status of a command and the other event parameters that are specified for the issued HCI command.

The Num\_HCI\_Command\_Packets event parameter allows the Host Controller to indicate the number of HCI command packets the Host can send to the Host Controller. If the Host Controller requires the Host to stop sending commands, the Num\_HCI\_Command\_Packets event parameter will be set to zero. To indicate to the Host that the Host Controller is ready to receive HCI command packets, the Host Controller generates a Command Complete event with the Command\_Opcode 0x0000, and the Num\_HCI\_Command\_Packets event parameter is set to 1 or more. Command\_Opcode, 0x0000 is a NOP (No Operation), and can be used to change the number of outstanding HCI command packets that the Host can send before waiting. See each command for the parameters that are returned by this event.

**Event Parameters:**

*Num\_HCI\_Command\_Packets:* *Size: 1 Byte*

Value	Parameter Description
N = 0xXX	The Number of HCI command packets which are allowed to be sent to the Host Controller from the Host. Range for N: 0 – 255

*Command\_Opcode:* *Size: 2 Bytes*

Value	Parameter Description
0xXXXX	Opcode of the command which caused this event.

*Return\_Parameter(s):* *Size: Depends on Command*

Value	Parameter Description
0xXX	This is the return parameter(s) for the command specified in the Command_Opcode event parameter. See each command's definition for the list of return parameters associated with that command.

### 5.2.15 Command Status event

Event	Event Code	Event Parameters
Command Status	0x0F	Status, Num_HCI_Command_Packets, Command_Opcode

**Description:**

The Command Status event is used to indicate that the command described by the Command\_Opcode parameter has been received, and that the Host Controller is currently performing the task for this command. This event is needed to provide mechanisms for asynchronous operation, which makes it possible to prevent the Host from waiting for a command to finish. If the command can not begin to execute (a parameter error may have occurred, or the command may currently not be allowed), the Status event parameter will contain the corresponding error code, and no complete event will follow since the command was not started. The Num\_HCI\_Command\_Packets event parameter allows the Host Controller to indicate the number of HCI command packets the Host can send to the Host Controller. If the Host Controller requires the Host to stop sending commands, the Num\_HCI\_Command\_Packets event parameter will be set to zero. To indicate to the Host that the Host Controller is ready to receive HCI command packets, the Host Controller generates a Command Status event with Status 0x00 and Command\_Opcode 0x0000, and the Num\_HCI\_Command\_Packets event parameter is set to 1 or more. Command\_Opcode, 0x0000 is a NOP (No Operation) and can be used to change the number of outstanding HCI command packets that the Host can send before waiting.

**Event Parameters:**

*Status:* *Size: 1 Byte*

Value	Parameter Description
0x00	Command currently in pending.
0x01-0xFF	Command failed. See <a href="#">Table 6.1 on page 745</a> for list of Error Codes.

*Num\_HCI\_Command\_Packets:* *Size: 1 Byte*

Value	Parameter Description
N = 0xXX	The Number of HCI command packets which are allowed to be sent to the Host Controller from the Host. Range for N: 0 – 255

*Command\_Opcode:* *Size: 2 Bytes*

Value	Parameter Description
0xXXXX	Opcode of the command which caused this event and is pending completion.

### 5.2.16 Hardware Error event

Event	Event Code	Event Parameters
Hardware Error	0x10	Hardware_Code

**Description:**

The Hardware Error event is used to indicate some type of hardware failure for the Bluetooth device. This event is used to notify the Host that a hardware failure has occurred in the Bluetooth module.

**Event Parameters:**

*Hardware\_Code:*

*Size: 1 Byte*

Value	Parameter Description
0x00	These Hardware_Codes will be implementation-specific, and will be assigned to indicate various hardware problems.

### 5.2.17 Flush Occurred event

Event	Event Code	Event Parameters
Flush Occurred	0x11	Connection_Handle

**Description:**

The Flush Occurred event is used to indicate that, for the specified Connection Handle, the current user data to be transmitted has been removed. The Connection\_Handle will be a Connection\_Handle for an ACL connection. This could result from the flush command, or be due to the automatic flush. Multiple blocks of an L2CAP packet could have been pending in the Host Controller. If one baseband packet part of an L2CAP packet is flushed, then the rest of the HCI data packets for the L2CAP packet must also be flushed.

**Event Parameters:**

*Connection\_Handle:* *Size: 2 Bytes (12 Bits meaningful)*

Value	Parameter Description
0xXXXX	Connection Handle which was flushed. Range: 0x0000-0x0EFF (0x0F00 - 0x0FFF Reserved for future use)

### 5.2.18 Role Change event

Event	Event Code	Event Parameters
Role Change	0x12	Status, BD_ADDR, New_Role

#### Description:

The Role Change event is used to indicate that the current Bluetooth role related to the particular connection has changed. This event only occurs when both the remote and local Bluetooth devices have completed their role change for the Bluetooth device associated with the BD\_ADDR event parameter. This event allows both affected Hosts to be notified when the Role has been changed.

#### Event Parameters:

*Status:*

*Size: 1 Byte*

Value	Parameter Description
0x00	Role change has occurred.
0x01-0xFF	Role change failed. See <a href="#">Table 6.1 on page 745</a> for list of Error Codes.

*BD\_ADDR:*

*Size: 6 Bytes*

Value	Parameter Description
0XXXXXXXXXXXXX	BD_ADDR of the Device for which a role change has completed.

*New\_Role:*

*Size: 1 Byte*

Value	Parameter Description
0x00	Currently the Master for specified BD_ADDR.
0x01	Currently the Slave for specified BD_ADDR.

### 5.2.19 Number Of Completed Packets event

Event	Event Code	Event Parameters
Number Of Completed Packets	0x13	Number_of_Handles, Connection_Handle[i], HC_Num_Of_Completed_Packets[i]

#### Description:

The Number Of Completed Packets event is used by the Host Controller to indicate to the Host how many HCI Data Packets have been completed (transmitted or flushed) for each Connection Handle since the previous Number Of Completed Packets event was sent to the Host. This means that the corresponding buffer space has been freed in the Host Controller. Based on this information, and the HC\_Total\_Num\_ACL\_Data\_Packets and HC\_Total\_Num\_SCO\_Data\_Packets return parameter of the Read\_Buffer\_Size command, the Host can determine for which Connection Handles the following HCI Data Packets should be sent to the Host Controller. The Number Of Completed Packets event must not be sent before the corresponding Connection Complete event. While the Host Controller has HCI data packets in its buffer, it must keep sending the Number Of Completed Packets event to the Host at least periodically, until it finally reports that all the pending ACL Data Packets have been transmitted or flushed. The rate with which this event is sent is manufacturer specific.

Note that Number Of Completed Packets events will not report on SCO connection handles if SCO Flow Control is disabled. (See Read/Write\_SCO\_Flow\_Control\_Enable on [page 658](#) and [page 659](#).)

#### Event Parameters:

*Number\_of\_Handles:* *Size: 1 Byte*

Value	Parameter Description
0xXX	The number of Connection Handles and Num_HCI_Data_Packets parameters pairs contained in this event. Range: 0-255

*Connection\_Handle[i]:* *Size: Number\_of\_Handles \* 2 Bytes(12 Bits meaningful)*

Value	Parameter Description
0XXXXX	Connection Handle. Range: 0x0000-0x0EFF (0x0F00 - 0x0FFF Reserved for future use)



*HC\_Num\_Of\_Completed\_Packets [i]:*      *Size: Number\_of\_Handles \* 2 Bytes*

Value	Parameter Description
N = 0xXXXX	The number of HCI Data Packets that have been completed (transmitted or flushed) for the associated Connection Handle since the previous time the event was returned. Range for N: 0x0000-0xFFFF

### 5.2.20 Mode Change event

Event	Event Code	Event Parameters
Mode Change	0x14	Status, Connection_Handle, Current_Mode, Interval

#### Description:

The Mode Change event is used to indicate when the device associated with the Connection Handle changes between Active, Hold, Sniff and Park mode. The Connection\_Handle will be a Connection\_Handle for an ACL connection. The Connection\_Handle event parameter is used to indicate which connection the Mode Change event is for. The Current\_Mode event parameter is used to indicate which state the connection is currently in. The Interval parameter is used to specify a time amount specific to each state. Each Host Controller that is associated with the Connection Handle which has changed Modes will send the Mode Change event to its Host.

#### Event Parameters:

*Status:*

*Size: 1 Byte*

Value	Parameter Description
0x00	A Mode Change has occurred.
0x01-0xFF	Hold_Mode, Sniff_Mode, Exit_Sniff_Mode, Park_Mode, or Exit_Park_Mode command failed. See <a href="#">Table 6.1 on page 745</a> for list of Error Codes.

*Connection\_Handle:*

*Size: 2 Bytes(12 Bits meaningful)*

Value	Parameter Description
0xFFFF	Connection Handle. Range: 0x0000-0x0EFF (0x0F00 - 0x0FFF Reserved for future use)

*Current\_Mode:*

*Size: 1 Byte*

Value	Parameter Description
0x00	Active Mode.
0x01	Hold Mode.
0x02	Sniff Mode.
0x03	Park Mode.
0x04-0xFF	Reserved for future use.

*Interval:*

*Size: 2 Bytes*

Value	Parameter Description
N = 0xXXXX	<p>Hold:                      Number of Baseband slots to wait in Hold Mode.                      Hold Interval = <math>N * 0.625</math> msec (1 Baseband slot)                      Range for N: 0x0000-0xFFFF                      Time Range: 0-40.9 sec</p> <p>Sniff:                      Number of Baseband slots between sniff intervals.                      Time between sniff intervals = 0.625 msec (1 Baseband slot)                      Range for N: 0x0000-0xFFFF                      Time Range: 0-40.9 sec</p> <p>Park:                      Number of Baseband slots between consecutive beacons.                      Interval Length = <math>N * 0.625</math> msec (1 Baseband slot)                      Range for N: 0x0000-0xFFFF                      Time Range: 0-40.9 Seconds</p>

### 5.2.21 Return Link Keys event

Event	Event Code	Event Parameters
Return Link Keys	0x15	Num_Keys, BD_ADDR [i], Link_Key[i]

**Description:**

The Return Link Keys event is used by the Host Controller to send the Host one or more stored Link Keys. Zero or more instances of this event will occur after the Read\_Stored\_Link\_Key command. When there are no link keys stored, no Return Link Keys events will be returned. When there are link keys stored, the number of link keys returned in each Return Link Keys event is implementation specific.

**Event Parameters:**

*Num\_Keys:* *Size: 1 Byte*

Value	Parameter Description
0xXX	Number of Link Keys contained in this event. Range: 0x01 – 0xFF

*BD\_ADDR [i]:* *Size: 6 Bytes \* Num\_Keys*

Value	Parameter Description
0XXXXXXXXXXXXX	BD_ADDR for the associated Link Key.

*Link\_Key[i]:* *Size: 16 Bytes \* Num\_Keys*

Value	Parameter Description
XXXXXXXXXXXX XXXXXXXXXXXX XXXXXXXXXXXX	Link Key for the associated BD_ADDR.

### 5.2.22 PIN Code Request event

Event	Event Code	Event Parameters
PIN Code Request	0x16	BD_ADDR

#### Description:

The PIN Code Request event is used to indicate that a PIN code is required to create a new link key. The Host must respond using either the PIN Code Request Reply or the PIN Code Request Negative Reply command, depending on whether the Host can provide the Host Controller with a PIN code or not. Note: If the PIN Code Request event is masked away, then the Host Controller will assume that the Host has no PIN Code.

When the Host Controller generates a PIN Code Request event in order for the local Link Manager to respond to the request from the remote Link Manager (as a result of a Create\_Connection or Authentication\_Requested command from the remote Host), the local Host must respond with either a PIN\_Code\_Request\_Reply or PIN\_Code\_Request\_Negative\_Reply command before the remote Link Manager detects LMP response timeout. (See [“Link Manager Protocol” on page 185.](#))

#### Event Parameters:

*BD\_ADDR:*

*Size: 6 Bytes*

Value	Parameter Description
0XXXXXXXXXXXXX	BD_ADDR of the Device which a new link key is being created for.

**5.2.23 Link Key Request event**

Event	Event Code	Event Parameters
Link Key Request	0x17	BD_ADDR

**Description:**

The Link Key Request event is used to indicate that a Link Key is required for the connection with the device specified in BD\_ADDR. If the Host has the requested stored Link Key, then the Host will pass the requested Key to the Host Controller using the Link\_Key\_Request\_Reply Command. If the Host does not have the requested stored Link Key, then the Host will use the Link\_Key\_Request\_Negative\_Reply Command to indicate to the Host Controller that the Host does not have the requested key.

Note: If the Link Key Request event is masked away, then the Host Controller will assume that the Host has no additional link keys.

When the Host Controller generates a Link Key Request event in order for the local Link Manager to respond to the request from the remote Link Manager (as a result of a Create\_Connection or Authentication\_Requested command from the remote Host), the local Host must respond with either a Link\_Key\_Request\_Reply or Link\_Key\_Request\_Negative\_Reply command before the remote Link Manager detects LMP response timeout. (See “[Link Manager Protocol](#)” on page 185.)

**Event Parameters:**

*BD\_ADDR:*

*Size: 6 Bytes*

Value	Parameter Description
0XXXXXXXXXXXXX	BD_ADDR of the Device which a stored link key is being requested.

### 5.2.24 Link Key Notification event

Event	Event Code	Event Parameters
Link Key Notification	0x18	BD_ADDR, Link_Key

#### Description:

The Link Key Notification event is used to indicate to the Host that a new Link Key has been created for the connection with the device specified in BD\_ADDR. The Host can save this new Link Key in its own storage for future use. Also, the Host can decided to store the Link Key in the Host Controller’s Link Key Storage by using the Write\_Stored\_Link\_Key command.

#### Event Parameters:

*BD\_ADDR:* *Size: 6 Bytes*

Value	Parameter Description
0XXXXXXXXXXXXX	BD_ADDR of the Device for which the new link key has been generated.

*Link\_Key:* *Size: 16 Bytes*

Value	Parameter Description
XXXXXXXXXXXX XXXXXXXXXXXX XXXXXXXXXXXX	Link Key for the associated BD_ADDR.

### 5.2.25 Loopback Command event

Event	Event Code	Event Parameters
Loopback Command	0x19	HCI_Command_Packet

#### Description:

When in Local Loopback mode, the Host Controller loops back commands and data to the Host. The Loopback Command event is used to loop back all commands that the Host sends to the Host Controller with some exceptions. See [Section 4.10.1, “Read\\_Loopback\\_Mode,” on page 696](#) for a description of which commands that are not looped back. The HCI\_Command\_Packet event parameter contains the entire HCI Command Packet including the header. Note: the event packet is limited to a maximum of 255 bytes in the payload; since an HCI Command Packet has 3 bytes of header data, only the first 252 bytes of the command parameters will be returned.

#### Event Parameters:

*HCI\_Command\_Packet:*

*Size: Depends on Command*

Value	Parameter Description
0xXXXXXX	HCI Command Packet, including header.



**5.2.26 Data Buffer Overflow event**

Event	Event Code	Event Parameters
Data Buffer Overflow	0x1A	Link_Type

**Description:**

This event is used to indicate that the Host Controller's data buffers have been overflowed. This can occur if the Host has sent more packets than allowed. The Link\_Type parameter is used to indicate that the overflow was caused by ACL or SCO data.

**Event Parameters:***Link\_Type:**Size: 1 Byte*

Value	Parameter Description
0x00	SCO Buffer Overflow (Voice Channels).
0x01	ACL Buffer Overflow (Data Channels).
0x02-0xFF	Reserved for Future Use.

### 5.2.27 Max Slots Change event

Event	Event Code	Event Parameters
Max Slots Change	0x1B	Connection_Handle, LMP_Max_Slots

#### Description:

This event is used to notify the Host about the LMP\_Max\_Slots parameter when the value of this parameter changes. It will be sent each time the value of the LMP\_Max\_Slots parameter changes, as long as there is at least one connection to another device. The Connection\_Handle will be a Connection\_Handle for an ACL connection.

#### Event Parameters:

*Connection\_Handle:*

*Size: 2 Bytes (12 Bits meaningful)*

Value	Parameter Description
0xXXXX	Connection Handle. Range: 0x0000-0x0EFF (0x0F00 - 0x0FFF Reserved for future use)

*LMP\_Max\_Slots:*

*Size: 1 byte*

Value	Parameter Description
0xXX	Maximum number of slots allowed to use for baseband packets, see <a href="#">"Link Manager Protocol" on page 185</a> .

### 5.2.28 Read Clock Offset Complete event

Event	Event Code	Event Parameters
Read Clock Offset Complete	0x1C	Status, Connection_Handle, Clock_Offset

#### Description:

The Read Clock Offset Complete event is used to indicate the completion of the process of the Link Manager obtaining the Clock Offset information of the Bluetooth device specified by the Connection\_Handle event parameter. The Connection\_Handle will be a Connection\_Handle for an ACL connection.

#### Event Parameters:

*Status:*

*Size: 1 Byte*

Value	Parameter Description
0x00	Read_Clock_Offset command succeeded.
0x01-0xFF	Read_Clock_Offset command failed. See <a href="#">Table 6.1 on page 745</a> for list of Error Codes.

*Connection\_Handle:*

*Size: 2 Bytes (12 bits meaningful)*

Value	Parameter Description
0xXXXX	Specifies which Connection Handle's Clock Offset parameter is returned. Range: 0x0000-0x0EFF (0x0F00 - 0x0FFF Reserved for future use)

*Clock\_Offset:*

*Size: 2 Bytes*

Bit format	Parameter Description
Bit 14.0	Bit 16.2 of CLKslave-CLKmaster.
Bit 15	Reserved.

### 5.2.29 Connection Packet Type Changed event

Event	Event Code	Event Parameters
Connection Packet Type Changed	0x1D	Status, Connection_Handle, Packet_Type

**Description:**

The Connection Packet Type Changed event is used to indicate that the process has completed of the Link Manager changing which packet types can be used for the connection. This allows current connections to be dynamically modified to support different types of user data. The Packet\_Type event parameter specifies which packet types the Link Manager can use for the connection identified by the Connection\_Handle event parameter for sending L2CAP data or voice. The Packet\_Type event parameter does not decide which packet types the LM is allowed to use for sending LMP PDUs.

**Event Parameters:**

*Status:*

*Size: 1 Byte*

Value	Parameter Description
0x00	Connection Packet Type changed successfully.
0x01-0xFF	Connection Packet Type Changed failed. See <a href="#">Table 6.1 on page 745</a> for list of Error Codes.

*Connection\_Handle:*

*Size: 2 Bytes (12 Bits meaningful)*

Value	Parameter Description
0xFFFF	Connection Handle. Range: 0x0000-0x0EFF (0x0F00 - 0x0FFF Reserved for future use)

*Packet\_Type:*

*Size: 2 Bytes*

*For ACL\_Link\_Type*

Value	Parameter Description
0x0001	Reserved for future use.
0x0002	Reserved for future use.
0x0004	Reserved for future use.
0x0008	DM1
0x0010	DH1
0x0020	Reserved for future use.
0x0040	Reserved for future use.
0x0080	Reserved for future use.

Value	Parameter Description
0x0100	Reserved for future use.
0x0200	Reserved for future use.
0x0400	DM3
0x0800	DH3
0x1000	Reserved for future use.
0x2000	Reserved for future use.
0x4000	DM5
0x8000	DH5

*For SCO\_Link\_Type*

Value	Parameter Description
0x0001	Reserved for future use.
0x0002	Reserved for future use.
0x0004	Reserved for future use.
0x0008	Reserved for future use.
0x0010	Reserved for future use.
0x0020	HV1
0x0040	HV2
0x0080	HV3
0x0100	Reserved for future use.
0x0200	Reserved for future use.
0x0400	Reserved for future use.
0x0800	Reserved for future use.
0x1000	Reserved for future use.
0x2000	Reserved for future use.
0x4000	Reserved for future use.
0x8000	Reserved for future use.

**5.2.30 QoS Violation event**

Event	Event Code	Event Parameters
QoS Violation	0x1E	Connection_Handle

**Description:**

The QoS Violation event is used to indicate the Link Manager is unable to provide the current QoS requirement for the Connection Handle. This event indicates that the Link Manager is unable to provide one or more of the agreed QoS parameters. The Host chooses what action should be done. The Host can reissue QoS\_Setup command to renegotiate the QoS setting for Connection Handle. The Connection\_Handle will be a Connection\_Handle for an ACL connection.

**Event Parameters:**

*Connection\_Handle:*

*Size: 2 Bytes (12 Bits meaningful)*

Value	Parameter Description
0xXXXX	Connection Handle that the LM is unable to provide the current QoS requested for. Range: 0x0000-0x0EFF (0x0F00 - 0x0FFF Reserved for future use)

### 5.2.31 Page Scan Mode Change event

Event	Event Code	Event Parameters
Page Scan Mode Change	0x1F	BD_ADDR, Page_Scan_Mode

#### Description:

The Page Scan Mode Change event indicates that the remote Bluetooth device with the specified BD\_ADDR has successfully changed the Page\_Scan\_Mode.

#### Event Parameters:

*BD\_ADDR:*

*Size: 6 Bytes*

Value	Parameter Description
0XXXXXXXXX XXXX	BD_ADDR of the remote device.

*Page\_Scan\_Mode:*

*Size: 1 Byte*

Value	Parameter Description
0x00	Mandatory Page Scan Mode.
0x01	Optional Page Scan Mode I.
0x02	Optional Page Scan Mode II.
0x03	Optional Page Scan Mode III.
0x04 – 0xFF	Reserved.

### 5.2.32 Page Scan Repetition Mode Change event

Event	Event Code	Event Parameters
Page Scan Repetition Mode Change	0x20	BD_ADDR, Page_Scan_Repetition_Mode

#### Description:

The Page Scan Repetition Mode Change event indicates that the remote Bluetooth device with the specified BD\_ADDR has successfully changed the Page\_Scan\_Repetition\_Mode (SR).

#### Event Parameters:

*BD\_ADDR:*

*Size: 6 Bytes*

Value	Parameter Description
0XXXXXXXXX XXXX	BD_ADDR of the remote device.

*Page\_Scan\_Repetition\_Mode:*

*Size: 1 Byte*

Value	Parameter Description
0x00	R0
0x01	R1
0x02	R2
0x03 – 0xFF	Reserved.



## 6 LIST OF ERROR CODES

### 6.1 LIST OF ERROR CODES

This section of the document lists the various possible error codes. When a command fails, Error codes are returned to indicate the reason for the error. Error codes have a size of one byte, and the possible range of failure codes is 0x01-0xFF. Section 6.2 provides an error code usage description for each error code.

Error Code	Description
0x01	Unknown HCI Command.
0x02	No Connection.
0x03	Hardware Failure.
0x04	Page Timeout.
0x05	Authentication Failure.
0x06	Key Missing.
0x07	Memory Full.
0x08	Connection Timeout.
0x09	Max Number Of Connections.
0x0A	Max Number Of SCO Connections To A Device.
0x0B	ACL connection already exists.
0x0C	Command Disallowed.
0x0D	Host Rejected due to limited resources.
0x0E	Host Rejected due to security reasons.
0x0F	Host Rejected due to remote device is only a personal device.
0x10	Host Timeout.
0x11	Unsupported Feature or Parameter Value.
0x12	Invalid HCI Command Parameters.
0x13	Other End Terminated Connection: User Ended Connection.
0x14	Other End Terminated Connection: Low Resources.
0x15	Other End Terminated Connection: About to Power Off.
0x16	Connection Terminated by Local Host.
0x17	Repeated Attempts.

Error Code	Description
0x18	Pairing Not Allowed.
0x19	Unknown LMP PDU.
0x1A	Unsupported Remote Feature.
0x1B	SCO Offset Rejected.
0x1C	SCO Interval Rejected.
0x1D	SCO Air Mode Rejected.
0x1E	Invalid LMP Parameters.
0x1F	Unspecified Error.
0x20	Unsupported LMP Parameter Value.
0x21	Role Change Not Allowed
0x22	LMP Response Timeout
0x23	LMP Error Transaction Collision
0x24	LMP PDU Not Allowed
0x25-0xFF	Reserved for Future Use.

Table 6.1: List of Possible Error Codes

## 6.2 HCI ERROR CODE USAGE DESCRIPTIONS

The purpose of this section is to give descriptions of how the error codes specified in [Table 6.1 on page 745](#) should be used. It is beyond the scope of this document to give detailed descriptions of all situations where error codes can be used – especially as this may also, in certain cases, be implementation-dependent. However, some error codes that are to be used only in very special cases are described in more detail than other, more general, error codes.

The following error codes are only used in LMP messages, and are therefore not described in this section:

- Unknown LMP PDU (0x19)
- SCO Offset Rejected (0x1B)
- SCO Interval Rejected (0x1C)
- SCO Air Mode Rejected (0x1D)
- Invalid LMP Parameters (0x1E)

Some of the following error code descriptions describe as implementation-dependent whether the error should be returned using a Command Status event or the event associated with the issued command (following a Command Status event with Status=0x00). In these cases, the command can not start executing because of the error, and it is therefore recommended to use the Command Status event. The reason for this suggested course of action is that it is not possible to use the Command Status event in all software architectures.

## 6.3 UNKNOWN HCI COMMAND (0X01)

The 'Unknown HCI Command' error code is returned by the Host Controller in the Status parameter in a Command Complete event or a Command Status event when the Host Controller receives an HCI Command Packet with an OpCode that it does not recognize. The OpCode given might not correspond to any of the OpCodes specified in this document, or any vendor-specific OpCodes, or the command may not have been implemented. If a Command Complete event is returned, the Status parameter is the only parameter contained in the Return\_Parameters event parameter. Which of the two events is used is implementation-dependent.

## **6.4 NO CONNECTION (0X02)**

The 'No Connection' error code is returned by the Host Controller in the Status parameter in an event when the Host has issued a command which requires an existing connection and there is currently no connection corresponding to the specified Connection Handle or BD Address. If the issued command is a command for which a Command Complete event should be returned, the event containing the error code is a Command Complete event. Otherwise, the event containing the error code is a Command Status event or the event associated with the issued command (following a Command Status event with Status=0x00), depending on the implementation.

## **6.5 HARDWARE FAILURE (0X03)**

The 'Hardware Failure' error code is returned by the Host Controller in the Status parameter in an event when the Host has issued a command and this command can not be executed because of a hardware failure. If the issued command is a command for which a Command Complete event should be returned, the event containing the error code is a Command Complete event. Otherwise, the event containing the error code is a Command Status event or the event associated with the issued command (following a Command Status event with Status=0x00) depending on the implementation.

## **6.6 PAGE TIMEOUT (0X04)**

The 'Page Timeout' error code is returned by the Host Controller in the Status parameter of the Connection Complete event when the Host has issued a Create\_Connection command and the specified device to connect to does not respond to a page at baseband level before the page timer expires (a page timeout occurs). The error code can also be returned in the Status parameter of a Remote Name Request Complete event when the Host has issued a Remote\_Name\_Request command and a temporary connection needs to be established but a page timeout occurs. (The page timeout is set using the Write\_Page\_Timeout command.)

## **6.7 AUTHENTICATION FAILED (0X05)**

The 'Authentication Failed' error code is returned by the Host Controller in the Status parameter in a Connection Complete event or Authentication Complete event when pairing or authentication fails due to incorrect results in the pairing/authentication calculations (because of incorrect PIN code or link key).

## **6.8 KEY MISSING (0X06)**

The 'Key Missing' error code is returned by the Host Controller in the Status parameter in a Connection Complete event or Authentication Complete event when pairing fails because of missing PIN code(s).

## 6.9 MEMORY FULL (0X07)

The 'Memory Full' error code is returned by the Host Controller in the Status parameter in a Command Complete event when the Host has issued a command that requires the Host Controller to store new parameters and the Host Controller does not have memory capacity for this. This may be the case after the Set\_Event\_Filter command has been issued. Note that for the Write\_Stored\_Link\_Key command, no error is returned when the Host Controller can not store any more link keys. The Host Controller stores as many link keys as there is free memory to store in, and the Host is notified of how many link keys were successfully stored.

## 6.10 CONNECTION TIMEOUT (0X08)

Note: this error code is used to indicate a reason for disconnection. It is normally returned in the Reason parameter of a Disconnection Complete event. It is therefore called reason code in the following description.

The 'Connection Timeout' reason code is sent by the Host Controller in an event when the link supervision timer (see "[Baseband Timers](#)" on page 993) expires and the link therefore is considered to be lost. The link supervision timeout is set using Write\_Link\_Supervision\_Timeout. The event that returns this reason code will most often be a Disconnection Complete event (in the Reason parameter). The event will be returned on both sides of the connection, where one Disconnection Complete event will be sent from the Host Controller to the Host for each Connection Handle that exists for the physical link to the other device.

(It is possible for a link loss to be detected during connection set up, in which case the reason code would be returned in a Connection Complete event.)

## 6.11 MAX NUMBER OF CONNECTIONS (0X09)

The 'Max Number Of Connections' error code is returned by the Host Controller in the Status parameter of a Command Status event, a Connection Complete event or a Remote Name Request Complete event when the Bluetooth module can not establish any more connections. It is implementation specific whether the error is returned in a Command Status event or the event following the Command Status event (where Status=0x00 in the Command Status event). The reason for this error may be hardware or firmware limitations. Before the error is returned, the Host has issued a Create\_Connection, Add\_SCO\_Connection or Remote\_Name\_Request command. The error can be returned in a Remote Name Request Complete event when a temporary connection needs to be established to request the name.

## 6.12 MAX NUMBER OF SCO CONNECTIONS TO A DEVICE (0X0A)

The 'Max Number Of SCO Connections To A Device' error code is returned by the Host Controller in the Status parameter of a Command Status event or a Connection Complete event (following a Command Status event with Status=0x00) when the maximum number of SCO connections to a device has been reached. Which of the two events that is used depends on the implementation. The device is a device that has been specified in a previously issued Add\_SCO\_Connection command.

## 6.13 ACL CONNECTION ALREADY EXISTS (0X0B)

The 'ACL connection already exists' error code is returned by the Host Controller in the Status parameter of a Command Status event or a Connection Complete event (following a Command Status event with Status=0x00) when there already is one ACL connection to a device and the Host tries to establish another one using Create\_Connection. Which of the two events that is used depends on the implementation.

## 6.14 COMMAND DISALLOWED (0X0C)

The 'Command Disallowed' error code is returned by the Host Controller in the Status parameter in a Command Complete event or a Command Status event when the Host Controller is in a state where it is only prepared to accept commands with certain OpCodes and the HCI Command Packet received does not contain any of these OpCodes. The Command Complete event should be used if the issued command is a command for which a Command Complete event should be returned. Otherwise, the Command Status event should be used. The Host Controller is not required to use the 'Unknown HCI Command' error code, since this may require unnecessary processing of the received (and currently not allowed) OpCode. When to use the 'Command Disallowed' error code is mainly implementation-dependent. Certain implementations may, for example, only accept the appropriate HCI response commands after the Connection Request, Link Key Request or PIN Code Request events.  
Note: the Reset command should always be allowed.

## 6.15 HOST REJECTED DUE TO ... (0X0D-0X0F)

Note: these error codes are used to indicate a reason for rejecting an incoming connection. They are therefore called reason codes in the following description.

When a Connection Request event has been received by the Host and the Host rejects the incoming connection by issuing the Reject\_Connection\_Request command, one of these reason codes is used as value for the Reason parameter. The issued reason code will be returned in the Status parameter of the Connection Complete event that will follow the Command Status event

(with Status=0x00) returned by the Host Controller after the Reject\_Connection\_Request command has been issued. The reason code issued in the Reason parameter of the Reject\_Connection\_Request command will also be sent over the air, so that it is returned in a Connection Complete event on the initiating side. Before this, the initiating side has issued a Create\_Connection command or Add\_SCO\_Connection command, and has received a Command Status event (with Status=0x00).

## **6.16 HOST TIMEOUT (0X10)**

Note: this error code is used to indicate a reason for rejecting an incoming connection. It is therefore called reason code in the following description.

Assume that a Connection Request event has been received by the Host and that the Host does not issue the Accept\_Connection\_Request or Reject\_Connection\_Request command before the connection accept timer expires (the connection accept timeout is set using Write\_Connection\_Accept\_Timeout). In this case, the 'Host Timeout' reason code will be sent by the Host Controller in the Status parameter of a Connection Complete event. The reason code will also be sent over the air, so that it is returned in a Connection Complete event on the initiating side. The initiating side has before this issued a Create\_Connection or Add\_SCO\_Connection command and has received a Command Status event (with Status=0x00).

## **6.17 UNSUPPORTED FEATURE OR PARAMETER VALUE (0X11)**

The 'Unsupported Feature or Parameter Value' error code is returned by the Host Controller in the Status parameter in an event when the Host Controller has received a command where one or more parameters have values that are not supported by the hardware (the parameters are, however, within the allowed parameter range specified in this document). If the issued command is a command for which a Command Complete event should be returned, the event containing the error code is a Command Complete event. Otherwise, the event containing the error code is a Command Status event or the event associated with the issued command (following a Command Status event with Status=0x00) depending on the implementation.

## **6.18 INVALID HCI COMMAND PARAMETERS (0X12)**

The 'Invalid HCI Command Parameters' error code is returned by the Host Controller in the Status parameter of an event when the total parameter length (or the value of one or more parameters in a received command) does not conform to what is specified in this document.

The error code can also be returned if a parameter value is currently not allowed although it is inside the allowed range for the parameter. One case is when a command requires a Connection Handle for an ACL connection but the

Host has given a Connection Handle for an SCO connection as a parameter instead. Another case is when a link key, a PIN code or a reply to an incoming connection has been requested by the Host Controller by using an event but the Host replies using a response command with a BD\_ADDR for which no request has been made.

If the issued command is a command for which a Command Complete event should be returned, the event containing the error code is a Command Complete event. Otherwise, the event containing the error code is a Command Status event or the event associated with the issued command (following a Command Status event with Status=0x00), depending on the implementation.

### 6.19 OTHER END TERMINATED CONNECTION: ... (0X13-0X15)

Note: these error codes are used to indicate a reason for disconnecting a connection. They are therefore called reason codes in the following description.

When the Host issues the Disconnect command, one of these reason codes is used as value for the reason parameter. The 'Connection Terminated By Local Host' reason code will then be returned in the Reason parameter of the Disconnection Complete event that will follow the Command Status event (with Status=0x00) that is returned by the Host Controller after the Disconnect command has been issued. The reason code issued in the Reason parameter of the Disconnect command will also be sent over the air, so that it is returned in the Reason parameter of a Disconnection Complete event on the remote side.

### 6.20 CONNECTION TERMINATED BY LOCAL HOST (0X16)

See description in 6.19. This error code is called a reason code, since it is returned in the Reason parameter of a Disconnection Complete event.

### 6.21 REPEATED ATTEMPTS (0X17)

The 'Repeated Attempts' error code is returned by the Host Controller in the Status parameter in a Connection Complete event or Authentication Complete event when a device does not allow authentication or pairing because too little time has elapsed since an unsuccessful authentication or pairing attempt. See "[Link Manager Protocol](#)" on page 185 for a description of how repeated attempts work.

### 6.22 PAIRING NOT ALLOWED (0X18)

The 'Pairing Not Allowed' error code is returned by the Host Controller in the Status parameter in a Connection Complete event or Authentication Complete event when a device for some reason does not allow pairing. An example may be a PSTN adapter that only allows pairing during a certain time window after a button has been pressed on the adapter.



## 6.23 UNSUPPORTED REMOTE FEATURE (0X1A)

The 'Unsupported Remote Feature' error code is returned by the Host Controller in the Status parameter of the event associated with the issued command when a remote device that has been specified in the command parameters does not support the feature associated with the issued command. The 'Unsupported Remote Feature' error code can also be used as a value for the Reason parameter in the Disconnect command (as a reason code). The error code will then be sent over the air so that it is returned in the Reason parameter of a Disconnection Complete event on the remote side. In the Disconnection Complete event following a Command Status event (where Status=0x00) on the local side on which the Disconnect command has been issued, the Reason parameter will however contain the reason code 'Connection Terminated By Local Host'. (The 'Unsupported Remote Feature' error code is called 'Unsupported LMP Feature' in the LMP specification, see "[Link Manager Protocol](#)" on page 185.)

## 6.24 UNSPECIFIED ERROR (0X1F)

The 'Unspecified error' error code is used when no other error code specified in this document is appropriate to use.

## 6.25 UNSUPPORTED LMP PARAMETER VALUE (0X20)

The 'Unsupported LMP Parameter Value' error code is returned by the Host Controller in the Status parameter of the event associated with the issued command when a remote device that has been specified in the command parameters sent back an LMP message containing the LMP error code 0x20, 'Unsupported parameter values' (see "[Link Manager Protocol](#)" on page 185).

## 6.26 ROLE CHANGE NOT ALLOWED (0X21)

The 'Role Change Not Allowed' error code is returned by the Host Controller in the Status parameter in a Connection Complete event or Role Change event when role change is not allowed. If the local Host issues the Switch\_Role command and the remote device rejects the role change, the error code will be returned in a Role Change event. If a connection fails because a device accepts an incoming ACL connection with a request for role change and the role change is rejected by the initiating device, the error code will be returned in a Connection Complete event on both sides.

## 6.27 LMP RESPONSE TIMEOUT (0X22)

The 'LMP Response Timeout' error code is returned by the Host Controller in the Status parameter in a Command Complete event or an event associated with the issued command following a Command Status event with Status=0x00, when the remote device does not respond to the LMP PDUs from

the local device as a result of the issued command within LMP response time-out. (See [“Link Manager Protocol” on page 185](#))

## **6.28 LMP ERROR TRANSACTION COLLISION (0X23)**

The 'LMP Error Transaction Collision' error code is returned by the Host Controller in the Status parameter of the event associated with the issued command when a remote device that has been specified in the command parameters sends back an LMP message containing the LMP error code 0x23, "LMP Error Transaction Collision" (see [“Link Manager Protocol” on page 185](#)).

## **6.29 LMP PDU NOT ALLOWED (0X24)**

The 'LMP PDU Not Allowed' error code is returned by the Host Controller in the Status parameter of the event associated with the issued command when a remote device that has been specified in the command parameters sends back an LMP message containing the LMP error code 0x24, "PDU Not Allowed" (see [“Link Manager Protocol” on page 185](#)).

## 7 LIST OF ACRONYMS AND ABBREVIATIONS

Acronym or abbreviation	Complete name
ACL	Asynchronous Connection Less
BD_ADDR	Bluetooth Device Address
DH	Data High rate
DIAC	Dedicated Inquiry Access Code
DM	Data Medium rate
DUT	Device Under Test
DV	Data Voice
GIAC	General Inquiry Access Code
HCI	Host Controller Interface
L2CAP	Logical Link Control and Adaptation Protocol
L_CH	Logical Channel
LAP	Lower Address Part
LC	Link Controller
LM	Link Manager
LMP	Link Manager Protocol
OCF	Opcode Command Field
OGF	OpCode Group Field
RF	Radio Frequency
RSSI	Received Signal Strength Indication
SCO	Synchronous Connection Oriented
TBD	To Be Defined
UA	User Asynchronous
UI	User Isochronous
US	User Synchronous
USB	Universal Serial Bus

Table 7.1: List of Acronyms and Abbreviations

## 8 LIST OF FIGURES

---

Figure 1.1: Overview of the Lower Software Layers .....	524
Figure 1.2: End to End Overview of Lower Software Layers to Transfer Data .....	525
Figure 1.3: Bluetooth Hardware Architecture Overview. ....	526
Figure 1.4: Bluetooth Block Diagram with USB HCI .....	527
Figure 1.5: Bluetooth Block Diagram with PC-Card HCI.....	527
Figure 4.1: HCI Command Packet .....	534
Figure 4.2: HCI Event Packet .....	535
Figure 4.3: HCI ACL Data Packet .....	536
Figure 4.4: HCI SCO Data Packet .....	538
Figure 4.5: Local Loopback Mode.....	697
Figure 4.6: Remote Loopback Mode.....	697
Figure 4.7: Local Loopback Mode.....	700
Figure 4.8: Remote Loopback Mode.....	700

## 9 LIST OF TABLES

---

Table 5.1:	List of Supported Events .....	703
Table 6.1:	List of Possible Error Codes.....	746
Table 7.1:	List of Acronyms and Abbreviations.....	755



## Part H:2

# HCI USB TRANSPORT LAYER

An addendum to the HCI document

This document describes the USB transport layer (between a host and the host controller). HCI commands flow through this layer, but the layer does not decode the commands.





---

## CONTENTS

---

<b>1</b>	<b>Overview .....</b>	<b>762</b>
<b>2</b>	<b>USB Endpoint Expectations.....</b>	<b>764</b>
2.1	Descriptor Overview.....	764
2.2	Control Endpoint Expectations.....	769
2.3	Bulk Endpoints Expectations.....	769
2.4	Interrupt Endpoint Expectations.....	769
2.5	Isochronous Endpoints Expectations.....	770
<b>3</b>	<b>Class Code.....</b>	<b>771</b>
<b>4</b>	<b>Device Firmware Upgrade .....</b>	<b>772</b>
<b>5</b>	<b>Limitations .....</b>	<b>773</b>
5.1	Power Specific Limitations .....	773
5.2	Other Limitations .....	773

# 1 OVERVIEW

This document discusses the requirements of the Universal Serial Bus (USB) interface for Bluetooth hardware. Readers should be familiar with USB, USB design issues, Advanced Configuration Power Interface (ACPI), the overall Bluetooth architecture, and the basics of the radio interface.

The reader should also be familiar with the Bluetooth Host Controller Interface.

Referring to [Figure 1.1](#) below, notice that this document discusses the implementation details of the two-way arrow labelled 'USB Function'.

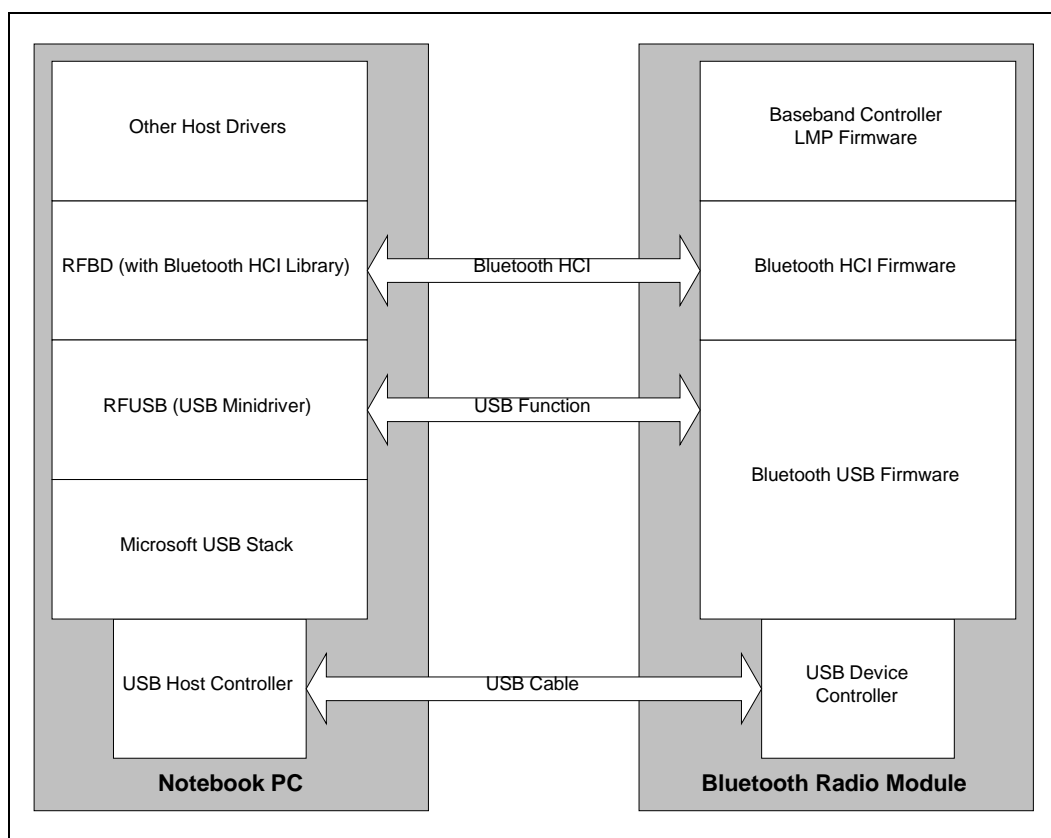


Figure 1.1: The Figure illustrates the relationship between the host and the Bluetooth Radio Module

The USB hardware can be embodied in one of two ways:

1. As a USB dongle, and
2. Integrated onto the motherboard of a notebook PC.

Finally, for an overview of the connection that is established between two Bluetooth devices, reference [Figure 1.2](#), below.

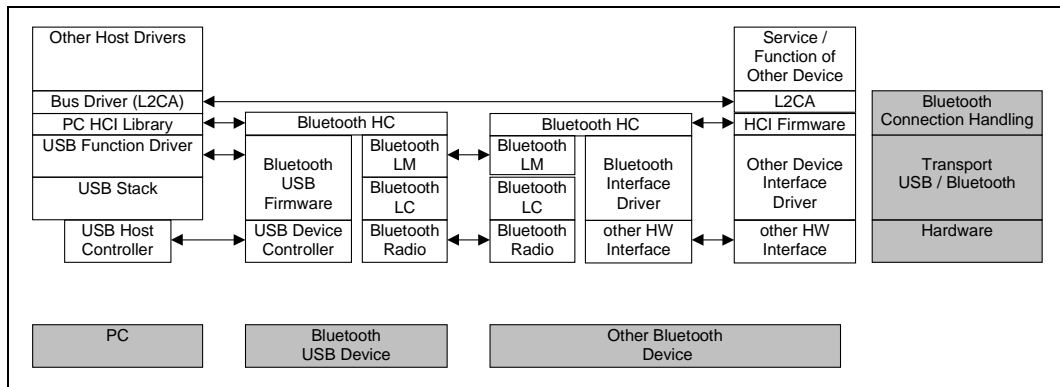


Figure 1.2: The figure illustrates the flow of data from one Bluetooth device to another

## 2 USB ENDPOINT EXPECTATIONS

---

This section outlines specific USB endpoints that are required in order to function properly with the host. This section assumes a basic familiarity with USB. The endpoint numbers (labelled 'Suggested Endpoint Address' below) may be dynamically recognized upon driver initialization – this depends on the implementation.

### 2.1 DESCRIPTOR OVERVIEW

The USB device is expected to be a high-speed device.

The firmware configuration consists of two interfaces. The first interface (interface zero) has no alternate settings and contains the bulk and interrupt endpoints. The second interface (interface one) provides scalable isochronous bandwidth consumption. The second interface has four alternate settings that provide different consumption based on the required isochronous bandwidth. The default interface is empty so that the device is capable of scaling down to no isochronous bandwidth.

An HCI frame - consisting of an HCI header and HCI data - should be contained in one USB transaction. A USB transaction is defined as one or more USB frames that contain the data from one IO request. For example, an ACL data packet containing 256 bytes (both HCI header and HCI data) would be sent over the bulk endpoint in one IO request. That IO request will require four 64-byte USB frames - and forms a transaction.

The endpoints are spread across two interfaces so, when adjusting isochronous bandwidth consumption (via select interface calls), any pending bulk and/or interrupt transactions do not have to be terminated and resubmitted.

The following table outlines the required configuration

Interface Number	Alternate Setting	Suggested Endpoint Address	Endpoint Type	Suggested Max Packet Size
<b>HCI Commands</b>				
0	0	0x00	Control	8/16/32/64
<b>HCI Events</b>				
0	0	0x81	Interrupt (IN)	16
<b>ACL Data</b>				
0	0	0x82	Bulk (IN)	32/64
0	0	0x02	Bulk (OUT)	32/64
<b>No active voice channels (for USB compliance)</b>				
1	0	0x83	Isoch (IN)	0
1	0	0x03	Isoch (OUT)	0
<b>One voice channel with 8-bit encoding</b>				
1	1	0x83	Isoch (IN)	9
1	1	0x03	Isoch (OUT)	9
<b>Two voice channels with 8-bit encoding &amp; One voice channel with 16-bit encoding</b>				
1	2	0x83	Isoch (IN)	17
1	2	0x03	Isoch (OUT)	17
<b>Three voice channels with 8-bit encoding</b>				
1	3	0x83	Isoch (IN)	25
1	3	0x03	Isoch (OUT)	25
<b>Two voice channels with 16-bit encoding</b>				
1	4	0x83	Isoch (IN)	33
1	4	0x03	Isoch (OUT)	33
<b>Three voice channels with 16-bit encoding</b>				
1	5	0x83	Isoch (IN)	49
1	5	0x03	Isoch (OUT)	49

The following two examples are used to demonstrate the flow of data given the describe endpoints.

Number of voice channels	Duration of voice data	Encoding
One	3 ms per IO Request	8-bit

Time (ms)	USB data (header refers to HCI header) (Receive & Send from the host)	Queued data (read / write)	Time (ms)	Air data	Amount Received / Sent (ms)
0	Receive 0 bytes Send 9 bytes (3 header, 6 data)	0 / 6	0	Send 0	0 / 0
		10 / 6	0.625	Receive 10	1.25 / 0
1	Receive 0 bytes Send 9 bytes (9 bytes HCI data)	10 / 15	1.25	Send 0	1.25 / 0
		20 / 15	1.875	Receive 10	2.50 / 0
2	Receive 0 bytes Send 9 bytes (9 bytes HCI data)	20 / 24	2.50	Send 0	2.50 / 0
		30 / 24	3.125	Receive 10	3.75 / 0
3	Receive 9 bytes (3 header, 6 data) Send 9 bytes (3 header, 6 data)	24 / 20	3.75	Send 10	3.75 / 1.25
4	Receive 9 bytes (9 bytes data) Send 9 bytes (9 bytes HCI data)	25 / 29	4.375	Receive 10	5.0 / 1.25
5	Receive 9 bytes (9 bytes data) Send 9 bytes (9 bytes HCI data)	16 / 28	5.0	Send 10	5.0 / 2.50
		26 / 28	5.625	Receive 10	6.25 / 2.50
6	Receive 9 bytes (3 header, 6 data) Send 9 bytes (3 header, 6 data)	20 / 24	6.25	Send 10	6.25 / 3.75
		30 / 24	6.875	Receive 10	7.5 / 3.75
7	Receive 9 bytes (9 bytes data) Send 9 bytes (9 bytes HCI data)	21 / 23	7.5	Send 10	7.5 / 5.0
8	Receive 9 bytes (9 bytes data) Send 9 bytes (9 bytes HCI data)	22 / 32	8.125	Receive 10	8.75 / 5.0
		22 / 22	8.75	Send 10	8.75 / 6.25
9	Receive 9 bytes (3 header, 6 data) Send 9 bytes (3 header, 6 data)	26 / 28	9.375	Receive 10	10.0 / 6.25

Table 2.1:

Time (ms)	USB data (header refers to HCI header) (Receive & Send from the host)	Queued data (read / write)	Time (ms)	Air data	Amount Received / Sent (ms)
10	Receive 9 bytes (9 bytes data) Send 9 bytes (9 bytes HCI data)	17 / 27	10	Send 10	10.0 / 7.5
		27 / 27	10.625	Receive 10	11.25 / 7.5
11	Receive 9 bytes (9 bytes data) Send 9 bytes (9 bytes HCI data)	18 / 26	11.25	Send 10	11.25 / 8.75

Table 2.1:

Convergence is expected because the radio is sending out an average of 8 bytes of voice data every 1 ms and USB is sending 8 bytes of voice data every 1 ms.

Number of voice channels	Duration of voice data	Encoding
Two	3 ms per IO Request	8-bit

Time (ms)	USB data (header refers to HCI header) (Receive & Send from the host)	Queued data (read / write)	Time (ms)	Air data	Amount Received / Sent (ms)
0	Receive 0 bytes for Channel #1 Send 17 bytes (3 header, 14 data) for Channel #1	C1- 0/14 C2- 0/0	0	Send 0 for C1	C1- 0/0 C2- 0/0
		C1- 20/14 C2- 0/0	0.625	Receive 20 for C1	C1- 2.5/0 C2- 0/0
1	Receive 0 bytes for Channel #1 Send 17 bytes (17 bytes HCI data) for Channel #1	C1- 20/31 C2- 0/0	1.25	Send 0 for C2	C1- 2.5/0 C2- 0/0
		C1- 20/31 C2- 20/0	1.875	Receive 20 for C2	C1- 2.5/0 C2- 2.5/0
2	Receive 0 bytes for Channel #1 Send 17 bytes (17 bytes HCI data) for Channel #1	C1- 20/28 C2- 20/0	2.50	Send 20 for C1	C1- 2.5/2.5 C2- 2.5/0
		C1- 40/28 C2- 0/0	3.125	Receive 20 for C1	C1- 5.0/2.5 C2- 2.5/0

Table 2.2:

Time (ms)	USB data (header refers to HCI header) (Receive & Send from the host)	Queued data (read / write)	Time (ms)	Air data	Amount Received / Sent (ms)
3	Receive 0 bytes for Channel #2 Send 17 bytes (3 header, 14 data) for Channel #2	C1- 40/28 C2- 20/14	3.75	Send 0 for C2	C1- 5.0/2.5 C2- 2.5/0
4	Receive 0 bytes for Channel #2 Send 17 bytes (17 bytes HCI data) for Channel #2	C1- 40/28 C2- 40/31	4.375	Receive 20 for C2	C1- 5.0/2.5 C2- 5.0/0
5	Receive 0 bytes for Channel #2 Send 17 bytes (17 bytes HCI data) for Channel #2	C1- 40/8 C2- 40/48	5.0	Send 20 for C1	C1- 5.0/5.0 C2- 5.0/0
		C1- 60/8 C2- 40/48	5.625	Receive 20 for C1	C1- 7.5/5.0 C2- 5.0/0
6	Receive 17 bytes (3 header, 14 data) for Channel #1 Send 17 bytes (3 header, 14 data) for Channel #1	C1- 46/22 C2- 40/28	6.25	Send 20 for C2	C1- 7.5/5.0 C2- 5.0/2.5
		C1- 46/22 C2- 60/28	6.875	Receive 20 for C2	C1- 7.5/5.0 C2- 7.5/2.5
7	Receive 17 bytes (17 bytes data) for Channel #1 Send 17 bytes (17 bytes HCI data) for Channel #1	C1- 29/19 C2- 60/28	7.5	Send 20 for C1	C1- 7.5/7.5 C2- 7.5/2.5
8	Receive 17 bytes (17 bytes data) for Channel #1 Send 17 bytes (17 bytes HCI data) for Channel #1	C1- 32/36 C2- 60/28	8.125	Receive 20 for C1	C1- 10/7.5 C2- 7.5/2.5
		C1- 32/36 C2- 60/8	8.75	Send 20 for C2	C1- 10/7.5 C2- 7.5/5.0
9	Receive 17 bytes (3 header, 14 data) for Channel #2 Send 17 bytes (3 header, 14 data) for Channel #2	C1- 32/36 C2- 54/22	9.375	Receive 20 for C2	C1- 10/7.5 C2- 10/5.0
10	Receive 17 bytes (17 bytes data) for Channel #2 Send 17 bytes (17 bytes HCI data) for Channel #2	C1- 32/16 C2- 37/39	10	Send 20 for C1	C1- 10/10 C2- 10/5.0
		C1- 52/16 C2- 37/39	10.625	Receive 20 for C1	C1- 12.5/10 C2- 10/5.0

Table 2.2:



Time (ms)	USB data (header refers to HCI header) (Receive & Send from the host)	Queued data (read / write)	Time (ms)	Air data	Amount Received / Sent (ms)
11	Receive 17 bytes (17 bytes data) for Channel #2 Send 17 bytes (17 bytes HCI data) for Channel #2	C1- 52/16 C2- 20/36	11.25	Send 20 for C2	C1- 12.5/10 C2- 10/7.5

Table 2.2:

## 2.2 CONTROL ENDPOINT EXPECTATIONS

Endpoint 0 is used to configure and control the USB device. Endpoint 0 will also be used to allow the host to send HCI-specific commands to the host controller. When the USB firmware receives a packet over this endpoint that has the Bluetooth class code, it should treat the packet as an HCI command packet.

## 2.3 BULK ENDPOINTS EXPECTATIONS

Data integrity is a critical aspect for ACL data. This, in combination with bandwidth requirements, is the reason for using a bulk endpoint. Multiple 64-byte packets can be shipped, per millisecond, across the bus.

Suggested bulk max packet size is 64 bytes. Bulk has the ability to transfer multiple 64-byte buffers per one millisecond frame, depending on available bus bandwidth.

Bulk has the ability to detect errors and correct them. Data flowing through this pipe might be destined for several different slaves. In order to avoid starvation, a flow control model similar to the shared endpoint model is recommended for the host controller.

## 2.4 INTERRUPT ENDPOINT EXPECTATIONS

An interrupt endpoint is necessary to ensure that events are delivered in a predictable and timely manner. Event packets can be sent across USB with a guaranteed latency.

The interrupt endpoint should have an interval of 1 ms.

The USB software and firmware requires no intimate knowledge of the events passed to the host controller.

## 2.5 ISOCHRONOUS ENDPOINTS EXPECTATIONS

These isochronous endpoints transfer SCO data to and from the host controller of the radio.

Time is the critical aspect for this type of data. The USB firmware should transfer the contents of the data to the host controllers' SCO FIFOs. If the FIFOs are full, the data should be overwritten with new data.

These endpoints have a one (1) ms interval, as required by Chapter 9 of the USB Specification, Versions 1.0 and 1.1.

The radio is capable of three (3) 64Kb/s voice channels (and can receive the data coded in different ways – 16-bit linear audio coding is the method that requires the most data). A suggested max packet size for this endpoint would be at least 64 bytes. (It is recommended that max packet sizes be on power of 2 boundaries for optimum throughput.) However, if it is not necessary to support three voice channels with 16-bit coding, 32 bytes could also be considered an acceptable max packet size.

### **3 CLASS CODE**

---

A class code will be used that is specific to all USB Bluetooth devices. This will allow the proper driver stack to load, regardless of which vendor built the device. It also allows HCI commands to be differentiated from USB commands across the control endpoint.

The class code (bDeviceClass) is 0xE0 – Wireless Controller.

The SubClass code (bDeviceSubClass) is 0x01 – RF Controller.

The Protocol code (bDeviceProtocol) is 0x01 – Bluetooth programming.

---

## 4 DEVICE FIRMWARE UPGRADE

---

Firmware upgrade capability is not a required feature. But if implemented, the firmware upgrade shall be compliant with the "Universal Serial Bus Device Class Specification for Device Firmware Upgrade" (version 1.0 dated May 13, 1999) available on the USB Forum web site at <http://www.usb.org>.

---

## 5 LIMITATIONS

---

### 5.1 POWER SPECIFIC LIMITATIONS

Today, the host controller of USB-capable machines resides inside a chip known as PIIX4. Unfortunately, because of errata, the USB host controller will not receive power while the system is in S3 or S4. This means that a USB wake-up can only occur when the system is in S1 or S2.

Another issue with the USB host controller is that, while a device is attached, it continually snoops memory to see if there is any work that needs to be done. The frequency that it checks memory is 1ms. This prevents the processor from dropping into a low power state known as C3. Because the notebook processor is not able to enter the C3 state, significant power loss will occur. This is a real issue for business users – as a typical business user will spend almost 90% of their time in the C3 state.

### 5.2 OTHER LIMITATIONS

Data corruption may occur across isochronous endpoints. Endpoints one and two may suffer from data corruption.

USB provides 16-CRC on all data transfers. The USB has a bit error rate of  $10^{-13}$ .

*Note that when a dongle is removed from the system, the radio will lose power (assuming this is a bus-powered device). This means that devices will lose connection.*



## **Part H:3**

# **HCI RS232 TRANSPORT LAYER**

**An addendum to the HCI document**

**This document describes the RS232 transport layer (between the Host and the Host Controller). HCI command, event and data packets flow through this layer, but the layer does not decode them.**





## CONTENTS

---

<b>1</b>	<b>General .....</b>	<b>778</b>
<b>2</b>	<b>Overview .....</b>	<b>779</b>
<b>3</b>	<b>Negotiation Protocol.....</b>	<b>780</b>
<b>4</b>	<b>Packet Transfer Protocol.....</b>	<b>784</b>
<b>5</b>	<b>Using delimiters with COBS for synchronization .....</b>	<b>785</b>
5.1	Using Delimiters with COBS and CRC, Protocol Mode 0x13...	785
5.2	Frame Format .....	786
5.3	Error Message Packet.....	786
5.4	Consistent Overhead Byte Stuffing.....	787
<b>6</b>	<b>Using RTS/CTS for Synchronization .....</b>	<b>788</b>
6.1	Using RTS/CTS for Sync without CRC, Protocol Mode 0x14 ..	788
6.2	Error Message Packet.....	789
6.3	Example of Signalling.....	790
6.4	Control Flow Examples .....	791
6.4.1	Case 1, Normal Recovery Process .....	791
6.4.2	Case 2, Both sides detect an error simultaneously .....	791
6.4.3	Case 3, Error Message with an error .....	792
<b>7</b>	<b>References .....</b>	<b>794</b>

# 1 GENERAL

The objective of the HCI RS232 Transport Layer is to make it possible to use the Bluetooth HCI over one physical RS232 interface between the Bluetooth Host and the Bluetooth Host Controller.

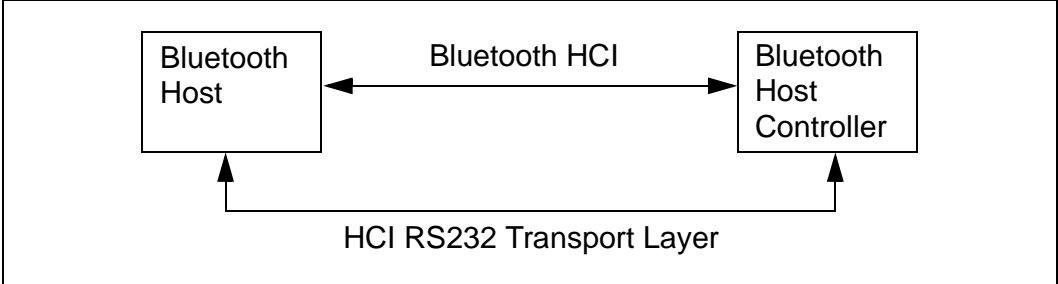


Figure 1.1:

## 2 OVERVIEW

There are four kinds of HCI packets that can be sent via the RS232 Transport Layer; i.e. HCI Command Packet, HCI Event Packet, HCI ACL Data Packet and HCI SCO Data Packet (see “[Host Controller Interface Functional Specification](#)” on page 517). HCI Command Packets can only be sent to the Bluetooth Host Controller, HCI Event Packets can only be sent from the Bluetooth Host Controller, and HCI ACL/SCO Data Packets can be sent both to and from the Bluetooth Host Controller.

However, HCI does not provide the ability to differentiate the four HCI packet types. Therefore, if the HCI packets are sent via a common physical interface, a HCI packet indicator has to be added according to the [Table 2.1](#) below.

HCI packet type	HCI packet indicator
HCI Command Packet	0x01
HCI ACL Data Packet	0x02
HCI SCO Data Packet	0x03
HCI Event Packet	0x04
Error Message Packet*	0x05
Negotiation Packet*	0x06

Table 2.1: HCI RS232 Packet Header

In addition to those four HCI packet types, two additional packet types are introduced to support dynamic negotiation and error reporting. The Error Message Packet (0x05) is used by the receiver to report the nature of error to the transmitting side. The Negotiation Packet (0x06) is used to negotiate the communication settings and protocols.

The HCI packet indicator shall be followed by an 8-bit sequence number that is incremented by 1 every time any of the above packets are sent, except when the retransmission packets are sent as a part of the error recovery. The HCI packet shall immediately follow the sequence number field. All four kinds of HCI packets have a length field, which is used to determine how many bytes are expected for the HCI packet. The Error Message Packet and Negotiation Packet are fixed-length packets, although the negotiation packet can be extended up to 7 more bytes, based on the number in the extension field.

The frame of the basic RS232 Transport Packet is shown below.



The least significant byte is transmitted first.

### 3 NEGOTIATION PROTOCOL

---

Before sending any bytes over the RS232 link, the baud rate, parity type, number of stop bit and protocol mode should be negotiated between the Host Controller and the Host. Tdetect is the maximum time required for the transmitter to detect the CTS state change, plus the time it takes to flush the transmit buffer if RTS/CTS is used for error indication and re-synchronization. Otherwise, Tdetect represents the local-side interrupt latency. Host will first send a negotiation packet with the maximum suggested values, plus Host's Tdetect value with Ack code = 000b at the default UART settings specified below, using protocol mode = 0x13. At the same time, the Host Controller side also sets its UART settings to the same initiating parameters and waits for the negotiation packet from the Host.

If the Host Controller side can accept the suggested values from the Host, it sends back the negotiation packet with the same UART setting values, plus Host Controller's Tdetect value with Ack code = 001b. Then, the Host sends back the negotiation packet with the same UART setting values, plus Host's Tdetect with Ack code = 001b as the final acknowledgment, and then sets its Host's UART to the new value. After it has received the final acknowledgment packet from the Host, the Host Controller also changes its UART setting to the new values.

On the other hand, if the Host Controller side cannot accept the suggested value, it should send a set of new suggested values and its own Tdetect value with Ack code = 010b. Each side should continue these steps until both sides receive the accepted Ack code value. Error detection and error recovery during the initial negotiation are performed in the same manner as described in [Section 5 on page 785](#) (Protocol Mode 0x13)

The negotiation phase can be initiated again by either side at any time in order to renegotiate the new values, or just to inform the new Tdetect time. When the negotiation is reinitiated during the data transfer, it should use the previously negotiated settings to exchange the new parameters rather than using the default values.

The initiating parameters:

baud rate: 9600 bps

parity type: no parity

number of data bit: 8 (Note: Only 8-bit data length is allowed.)

number of stop bit: 1

protocol mode: 0x13 (HDLC like framing with COBS/CCITT-CRC)

**The negotiation packet format:**

LSB

MSB

<b>Packet Type header 0x06 (8 bits)</b>	<b>SEQ No (8 bits)</b>	<b>UART Settings and ACK (8 bits)</b>	<b>Baud Rate (16 bits)</b>	<b>Tdetect Time (16 bits)</b>	<b>Protocol Mode (8 bit)</b>
---	------------------------	---------------------------------------	----------------------------	-------------------------------	------------------------------

**SEQ No:**

This is an 8-bit number that is incremented by 1 each time a packet is transmitted, excluding the retransmission packet. The unsigned Little Endian format is used.

**UART Settings and ACK Field**

Bit 0-1	Bit 2	Bit 3	Bit 4	Bit 5-7
Reserved	Stop bit (1 bit)	Parity Enable (1 bit)	Parity Type (1 bit)	Ack Code (3 bits)

**Stop Bit:**

- 0: 1 stop bit
- 1: 2 stop bits

**Parity Enable:**

- 0: No parity
- 1: Parity

**Parity Type:**

- 0: Odd Parity
- 1: Even Parity

**Ack Code:**

- 000b: Request
- 001b: Accepted
- 010b: Not accepted with new suggested values
- 011b-111b: Reserved

**Baud Rate:**

N should be entered for baud rate where  
 Baud rate = 27,648,000 / N  
 N=0 is invalid

Maximum possible rate is therefore 27.648Mbps  
 Minimum possible rate is therefore 421.88bps

The unsigned Little Endian format is used, and the least significant byte should be transmitted first.

### **Tdetect Time:**

This 16-bit field should be filled with the maximum required time for the transmitter to detect the CTS change, plus the time it takes to flush the transmit FIFO if RTS and CTS are used for resynchronization. Otherwise, it should be filled with the local interrupt latency.

The unit of time should be specified in 100 microseconds.

The unsigned Little Endian format is used, and the least significant byte should be transmitted first.

### **Protocol Mode**

Bit 0	Bit 1	Bit 2	Bit 3	Bit 4	Bit 5	Bit 6	Bit 7
CRC Used	Delimiter Used	RTS /CTS used	RTS/CTS Mode	Error Recovery Used	Ext0	Ext1	Ext2

### **CRC Used:**

0: CRC-CCITT is not attached at the end of the packet.

1: CRC-CCITT is attached at the end of the packet. (Default)

16-bit CRC can be used with either RTS/CTS or delimiters, although this specification only describes a case when it is used with delimiters.

Generator Polynomial =  $x^{16}+x^{12}+x^5+1$

### **Delimiter Used:**

0: Delimiter, 0x7E, is not used.

1: Delimiter, 0x7E, is used with COBS. (Default)

### **RTS/CTS Used:**

0: RTS/CTS is not used. (Default)

1: RTS/CTS is used.

### **RTS/CTS Mode:**

0: RTS/CTS is used for Error indication and resynchronization. (Default)

1: RTS/CTS is used for hardware flow control. Please refer to [“HCI UART Transport Layer” on page 795](#) for details.

**Error Recovery Used:**

- 0: Error Recovery is not supported.  
Even if Error Recovery is not supported, Error Message has to be sent.
- 1: Error Recovery is supported. (Default)  
Error Recovery retransmits the packet with error and all subsequent packets if RTS/CTS are used for synchronization. On the other hand, if 0x7E is used as a delimiter with COBS as a synchronization mechanism, then the error recovery retransmits only the packet with error. Please refer to following sections for details.

**Ext2,Ext1,Ext0:**

These three bits indicate the number of extra bytes attached to the negotiation packet for future expansion.

## 4 PACKET TRANSFER PROTOCOL

---

The packet can be transferred with parity enabled or disabled, and with or without CRC – depending on the environment – as a mechanism to detect the error.

As a synchronization mechanism, one can select either RTS/CTS, or delimiters. Usage of RTS/CTS reduces the computation time for COBS encoding, but it requires two extra copper wires which may not be suitable in some applications. If three-wire cable must be used, or programmable RTS and CTS are not available, delimiter, 0x7E, can be used with COBS.

However, error recovery for these two alternatives may differ slightly. If the RTS/CTS is used for resynchronization, it would be simpler to retransmit all the packets, starting with the packet that had an error. If delimiters are used, the transmitter should retransmit only the packet with an error. The error recovery can be disabled, but the error message packet should still be sent to the transmitter side when the receiver side detects an error.

The HCI RS232 transport layer always uses a data length of 8 bits, and this specification assumes the Little Endian format. Furthermore, the least significant byte should be transmitted first.

The Host Controller may choose to support only one protocol mode, but the Host should be able to support any combination.

Two common schemes (Protocol mode = 0x13 and 0x14) are defined in the following sections to illustrate the usage of each mode.



## 5 USING DELIMITERS WITH COBS FOR SYNCHRONIZATION

This section illustrates how delimiters with COBS are used for synchronization, and how error recovery procedure is performed if delimiters are used as a mechanism to synchronize. This is described using protocol mode 0x13.

### 5.1 USING DELIMITERS WITH COBS AND CRC, PROTOCOL MODE 0X13

In case RTS/CTS are not available, or if they are hard-wired to be used as a hardware flow control, the HDLC-like framing with the 16-bit CRC (CRC-CCITT) and delimiter 0x7E with COBS (Consistent Overhead Byte Stuffing) [2] are used as a means to detect an error and to resynchronize.

The CRC-CCITT uses the following generator polynomial for 16-bit checksum:  $x^{16}+x^{12}+x^5+1$ . The 16-bit CRC should be attached to the end of the packet, but right before the ending delimiter, 0x7E. The beginning delimiter, 0x7E, should be followed by the packet type indicator field.

The Consistent Overhead Byte Stuffing is a recent proposal to PPP that yields less than 0.5% overhead, regardless of the data pattern. It uses two steps to escape the delimiter, 0x7E. The first step is eliminating zeros and then replacing all 0x7E with 0x00 between the beginning and ending delimiters.

A simple error recovery scheme is adapted here to minimize the overhead of supporting the error recovery. When the receiving end detects any error, it should send the error message packet with an error type back to the transmitting side. This error message packet will contain a Sequence Number with Error field (SEQ No with Error) indicating in which packet the error was detected. The Sequence Number field (SEQ No) that is on every packet is an 8-bit field that is incremented by 1 each time any type of packet is transmitted, except for the retransmission packets. The retransmitted packets should contain the original sequence number in the SEQ No field.

The transmitting side should retransmit only the HCI packets that had an error, which is indicated by the SEQ No with Error field. It is the responsibility of the receiving end to reorder the packets in the right order. If the transmitting side doesn't have the packet with the correct sequence number in the retransmission holding buffer, it should send the error message packet with the Error Type equal to 0x81 and SEQ No with Error field with the missing sequence number for the retransmission packet, so that the receiving end can detect missing packets. In this case the full error recovery cannot be performed. However, the receiving side can at least detect the loss of packets.

The receiving side should wait at least 4 times the sum of remote Tdetect, local Tdetect and the transmission time of the error message packet, plus the retransmission packet, before it times out when it is waiting for the retransmission packet. When it times out, the receiver has an option of re-requesting it by

sending another error message packet with error type = 0x09, or simply dropping it and reporting it to the higher layer.

### 5.2 FRAME FORMAT

BOF(0x7E), CRC-CCITT, and EOF(0x7E) are added as shown below to those basic packets described in this document. When the CRC is transmitted, the least significant byte should be transmitted first.

LSB

MSB

<b>0x7E BOF (8 bits)</b>	<b>Packet Type (8 bits)</b>	<b>SEQ No (8 bits)</b>	<b>....Payload....</b>	<b>CRC (16 bits)</b>	<b>0x7E EOF (8 bits)</b>
----------------------------------	-------------------------------------	----------------------------	------------------------	--------------------------	----------------------------------

### 5.3 ERROR MESSAGE PACKET

The error-message packet format is the following:

LSB

MSB

<b>Packet Type, 0x05 (8-bit field)</b>	<b>Sequence No (8-bit field)</b>	<b>Error Type (8-bit field)</b>	<b>SEQ No with Error (8-bit field)</b>
--	--------------------------------------	-------------------------------------	--

Error Type	Description
0x00	Reserved
0x01	Overflow Error
0x02	Parity Error
0x03	Reserved
0x04	Framing Error
0x05-0x07	Reserved
0x08	CRC Error
0x09	Missing SEQ No
0x0A-0x80	Reserved
0x81	Missing Retransmission Packet
0x82- 0xFF	Reserved

Table 5.1: Error Type available

## 5.4 CONSISTENT OVERHEAD BYTE STUFFING

Code(n)	Followed by	Description
0x00		Unused.
0x01-0xCF	n-1 data bytes	The n-1 data bytes plus implicit trailing zero.
0xD0	n-1 data bytes	The n-1 data bytes without trailing zero.
0xD1		Unused.
0xD2		Reserved for future.
0xD3-0xDF	none	A run of n-0xD0 zeros.
0xE0-0xFE	n-E0 data bytes	The data bytes with two trailing zeros.
0xFF		Unused.

Table 5.2:

The COBS requires two step encodes.

The first step is the zero-elimination step. This step takes place after attaching the 16-bit CRC if CRC is enabled, but before adding the beginning and ending delimiters, 0x7E. Each COBS code block consists of the COBS code followed by zero or more data bytes. Code bytes 0x00, 0xD1, 0xD2 and 0xFF are never used. The COBS zero-elimination procedure searches the packet for the first occurrence of value zero. To simplify the encoding, a zero is added temporarily at the end of the packet, after the CRC, as a temporary place holder. The number of octets up to and including the first zero determines the code to be used. If this number is 207 or less, then the number itself is used as a COBS code byte, followed by the actual non-zero data bytes themselves, excluding the last byte, which is zero. On the other hand, if the number is more than 207, then the code byte 0xD0 is used, followed by the first 207 non-zero bytes. This process is repeated until all of the bytes of the packet, including the temporary place-holding zero at the end, have been encoded. If a pair of 0x00 is detected after 0 to 30 non-zero octets, the count of octets plus 0xE0 is used as the COBS code, followed by the non-zero octets, excluding the pair of zeros. If a run of three to fifteen 0x00 octets are detected, then the count of these 0x00 octets, plus 0xD0, is used as the code, followed by no other bytes.

The second step is replacing 0x7E with 0x00. The two steps can be done together in a loop, to reduce the encoding time.

For more details and a reference code, please refer to “PPP Consistent Overhead Byte Stuffing (COBS)” by J. Carlson et al [2].

## 6 USING RTS/CTS FOR SYNCHRONIZATION

This section illustrates how RTS and CTS are used to resynchronize, and how error-recovery procedure is performed if RTS and CTS are used as a mechanism to synchronize. This is described using protocol mode 0x14.

### 6.1 USING RTS/CTS FOR SYNC WITHOUT CRC, PROTOCOL MODE 0X14

The flow of HCI packet transfer is handled by two MODEM control/status signals, -RTS and -CTS. -RTS and -CTS are connected in a null MODEM fashion, meaning that the local-side -RTS should be connected to the remote-side -CTS, and the local-side -CTS should be connected to the remote-side -RTS. These MODEM control/status signals are used to notify the detection of an error to the other side, as well as to resynchronize the beginning of the packet after an error is detected. A very simple error-recovery scheme is adapted here to minimize the overhead of supporting this.

The HCI packet is transmitted only while CTS bit is 1. If the CTS bit changes to 0 during the HCI packet transfer or after the last byte is transmitted, this indicates that there was some error. The receiving end will deassert RTS as soon as it detects any error, and should send the error packet with an error type back to the transmission side. This error packet will contain a Sequence Number with Error field that indicates in which packet the error was detected. The sequence number field that is on every packet is an 8-bit field that is incremented by 1 each time any type of packet is transmitted, except for the retransmission packets. The retransmitted packets should contain the original sequence number in the SEQ No field.

When the transmitting end detects CTS bit changing from 1 to 0 at any time, the transmitting end should hold the transmission and wait until the error packet is received before resuming the transmission. When the receiving end is ready to receive the new data, it should assert RTS after the minimum of Tdetect time. Tdetect time is the maximum time required for the transmit side to detect the state change on CTS bit, plus the time it takes to flush the transmit buffer. The Tdetect value of each side should be informed to the other side during the negotiation phase. The local Tdetect value and the remote side Tdetect value together, along with the baud rate, can also be used to estimate the queue length required for the retransmission holding buffer. Before the receiving side asserts RTS line again, it should flush the RX buffer.

The transmission side should retransmit all of the HCI packets from the packet that had an error, which is indicated by SEQ No with Error field. Before it retransmits, it should flush the transmit buffer that may hold the leftover data from the aborted previous packet. As it retransmits the packets from the retransmission holding buffer, it should start transmitting the packet with the Sequence Number that matches the SEQ No with Error. If the transmitting side doesn't have the packet with the correct sequence number in the retransmission holding buffer, the transmitter should send an error message packet with

error type 0x81, and it should skip to the packet with the sequence number that is available in the buffer. In this case, the full error recovery cannot be performed. However, the receiving side can, at least, detect the loss of packets.

## 6.2 ERROR MESSAGE PACKET

The error-message packet format is the following:

*LSB*

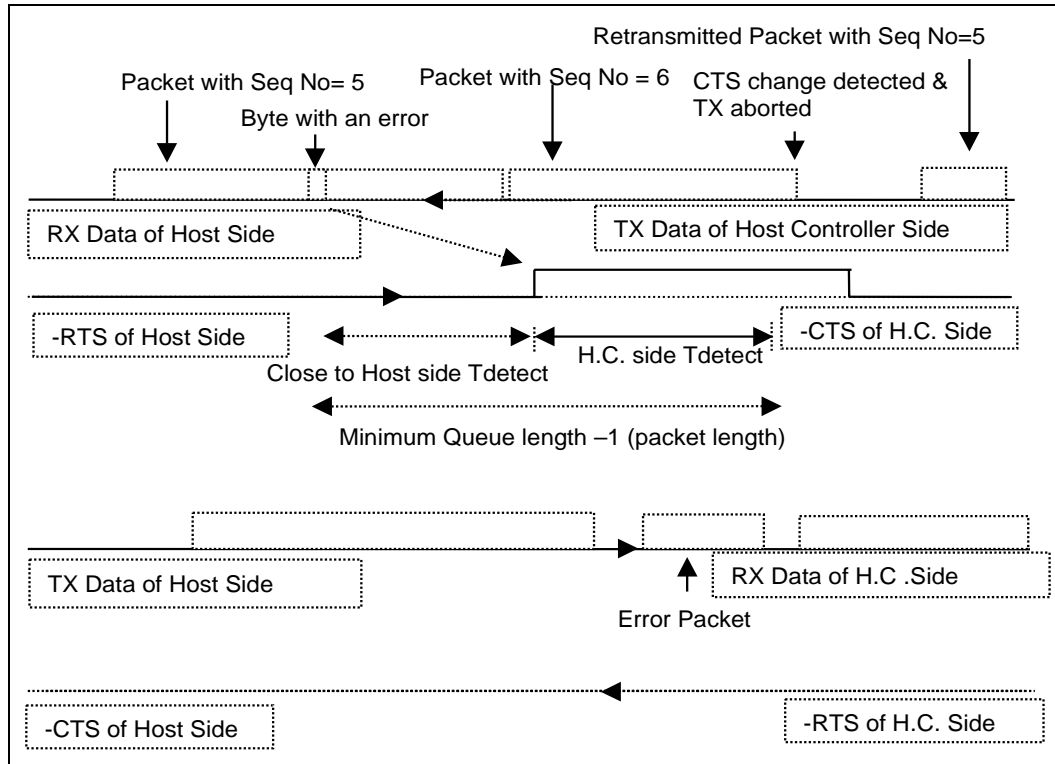
*MSB*

<b>Packet header 0x05 (8-bit field)</b>	<b>Sequence No (8-bit field)</b>	<b>Error Type (8-bit field)</b>	<b>SEQ No with Error (8-bit field)</b>
---	--------------------------------------	-------------------------------------	--

<b>Error Type</b>	<b>Description</b>	<b>Comment</b>
0x00	Reserved	
0x01	Overrun Error	
0x02	Parity Error	
0x03	Reserved	
0x04	Framing Error	
0x05-0x07	Reserved	
0x08	CRC Error*	Not applicable In Mode 0x14
0x09	Missing SEQ No	
0x0A-0x80	Reserved	
0x81	Missing Retransmission Packet	
0x82- 0xFF	Reserved	

Table 6.1: Error Type available

### 6.3 EXAMPLE OF SIGNALLING



## 6.4 CONTROL FLOW EXAMPLES

### 6.4.1 Case 1, Normal Recovery Process

Controller Side	Host Side
0) RTS is asserted and the asserted CTS is detected.	0) RTS is asserted and the asserted CTS is detected.
	1) Ctrl/Data[n] is sent out and Ctrl/Data[n] is stored in the retransmission holding buffer.
2) Ctrl/Data[n] is received with an error.	
3) Deasserts RTS	
4a) Error message for [n] is sent and Error message for [n] is stored in the TX retransmit holding buffer.	4) Detects CTS deasserted.
4b) Empties the RX FIFO and waits for Tdetect (Host) amount of time.	
	5a) Stops further transmission and waits until the TX FiFO is empty (or Flush the FIFO if it can.)
	5b) Error message for [n] is received.
6) Asserts RTS	
.	7) The asserted CTS is detected.
	8) Retransmits Ctrl/Data[n].

### 6.4.2 Case 2, Both sides detect an error simultaneously

Controller Side	Host Side
0) RTS is asserted and the asserted CTS is detected.	0) RTS is asserted and the asserted CTS is detected.
1) Ctrl/Data[x] is sent and Ctrl/Data[x] is stored in the retransmission holding buffer.	1) Ctrl/Data[n] is sent and Ctrl/Data[n] is stored in the retransmission holding buffer.
2) Ctrl/Data[n] is received with an error.	2) Ctrl/Data[x] is received with an error.
3) Deasserts RTS.	3) Deasserts RTS.
4) Detects CTS deasserted.	4) Detects CTS deasserted.
5a) Stops further transmission and waits until the TX FiFO is empty (or Flush the FIFO if it can).	5a) Stops further transmission and waits until the TX FiFO is empty (or Flush the FIFO if it can).

Controller Side	Host Side
5b) Empties the RX FIFO and waits for Tdetect (Host) amount of time.	5b) Empties the RX FIFO and waits for Tdetect (Controller) amount of time.
6) Asserts RTS.	6) Asserts RTS.
7) The asserted CTS is detected.	7) The asserted CTS is detected.
8) Error message for [n] is sent and Error message for [n] is stored in the TX retransmit holding buffer.	8) Error message for [x] is sent and Error message for [x] is stored in the TX retransmit holding buffer.
9) Error message for [x] is received.	9) Error message for [n] is received.
10) Retransmits Ctrl/Data[x].	10) Retransmits Ctrl/Data[n].

**6.4.3 Case 3, Error Message with an error**

Controller Side	Host Side
0) RTS is asserted and the asserted CTS is detected.	0) RTS is asserted and the asserted CTS is detected.
	1) Ctrl/Data[n] is sent and Ctrl/Data[n] is stored in the retransmission holding buffer.
2) Ctrl/Data[n] is received with an error.	
3) Deasserts RTS.	
4a) Error message for [n] (Err[n]) is sent and Err[n] is stored in the TX retransmit holding buffer.	4) Detects CTS deasserted.
4b) Empties the RX FIFO and waits for Tdetect (Host) amount of time.	5a) Stops further transmission and waits until the TX FiFO is empty (or Flush the FIFO if it can.) 5b) Error message for [n] is received with an error.
6) Asserts RTS.	6a) Deasserts RTS. 6b) Empties the RX FIFO and waits for Tdetect (Controller) amount of time.
7) Detects CTS deasserted.	
8) Stops further transmission and waits until the TX FiFO is empty (or Flush the FIFO if it can.)	8) The asserted CTS detected.



Controller Side	Host Side
	9a) Error message for Err[n] is sent and Error message for Err[n] is stored in the retransmission holding buffer. 9b) Asserts RTS.
10a) Error message for Err[n] is received. 10b) The asserted CTS detected.	
11) Retransmits Error message for [n].	
	12) Error message for [n] is received. 13) Retransmit Ctrl/Data[n].

## 7 REFERENCES

---

- [1] Bluetooth Host Controller Interface Function Specification
- [2] J. Carlson, S. Cheshire, M. Baker, draft-ietf-pppext-cobs-00, "PPP Consistent Overhead Byte Stuffing (COBS)", November, 1997
- [3] Bluetooth HCI UART Transport Layer Specification

## Part H:4

# HCI UART TRANSPORT LAYER

An addendum to the HCI document

This document describes the UART transport layer (between the Host and the Host Controller). HCI command, event and data packets flow through this layer, but the layer does not decode them.



---

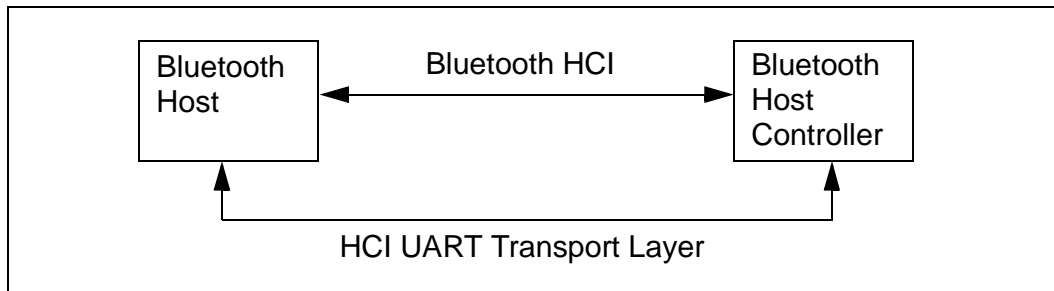
## **CONTENTS**

---

<b>1</b>	<b>General .....</b>	<b>798</b>
<b>2</b>	<b>Protocol.....</b>	<b>799</b>
<b>3</b>	<b>RS232 Settings .....</b>	<b>800</b>
<b>4</b>	<b>Error Recovery .....</b>	<b>801</b>

## 1 GENERAL

The objective of this HCI UART Transport Layer is to make it possible to use the Bluetooth HCI over a serial interface between two UARTs on the same PCB. The HCI UART Transport Layer assumes that the UART communication is free from line errors. See also [“HCI RS232 Transport Layer” on page 775](#).



## 2 PROTOCOL

There are four kinds of HCI packets that can be sent via the UART Transport Layer; i.e. HCI Command Packet, HCI Event Packet, HCI ACL Data Packet and HCI SCO Data Packet (see “[Host Controller Interface Functional Specification](#)” on page 517). HCI Command Packets can only be sent to the Bluetooth Host Controller, HCI Event Packets can only be sent from the Bluetooth Host Controller, and HCI ACL/SCO Data Packets can be sent both to and from the Bluetooth Host Controller.

HCI does not provide the ability to differentiate the four HCI packet types. Therefore, if the HCI packets are sent via a common physical interface, a HCI packet indicator has to be added according to [Table 2.11](#) below.

HCI packet type	HCI packet indicator
HCI Command Packet	0x01
HCI ACL Data Packet	0x02
HCI SCO Data Packet	0x03
HCI Event Packet	0x04

Table 2.1: HCI packet indicators

The HCI packet indicator shall be sent immediately before the HCI packet. All four kinds of HCI packets have a length field, which is used to determine how many bytes are expected for the HCI packet. When an entire HCI packet has been received, the next HCI packet indicator is expected for the next HCI packet. Over the UART Transport Layer, only HCI packet indicators followed by HCI packets are allowed.

### 3 RS232 SETTINGS

---

The HCI UART Transport Layer uses the following settings for RS232:

<b>Baud rate:</b>	<b>manufacturer-specific</b>
<b>Number of data bits:</b>	<b>8</b>
<b>Parity bit:</b>	<b>no parity</b>
<b>Stop bit:</b>	<b>1 stop bit</b>
<b>Flow control:</b>	<b>RTS/CTS</b>
<b>Flow-off response time:</b>	<b>3 ms</b>

Flow control with RTS/CTS is used to prevent temporary UART buffer overrun. It should not be used for flow control of HCI, since HCI has its own flow control mechanisms for HCI commands, HCI events and HCI data.

If CTS is 1, then the Host/Host Controller is allowed to send.  
If CTS is 0, then the Host/Host Controller is not allowed to send.

The flow-off response time defines the maximum time from setting RTS to 0 until the byte flow actually stops.

The RS232 signals should be connected in a null-modem fashion; i.e. the local TXD should be connected to the remote RXD and the local RTS should be connected to the remote CTS and vice versa.



## 4 ERROR RECOVERY

---

If the Host or the Host Controller lose synchronization in the communication over RS232, then a reset is needed. A loss of synchronization means that an incorrect HCI packet indicator has been detected, or that the length field in an HCI packet is out of range.

If the UART synchronization is lost in the communication from Host to Host Controller, then the Host Controller shall send a Hardware Error Event to tell the Host about the synchronization error. The Host Controller will then expect to receive an HCI\_Reset command from the Host in order to perform a reset. The Host Controller will also use the HCI\_Reset command in the byte stream from Host to Host Controller to re-synchronize.

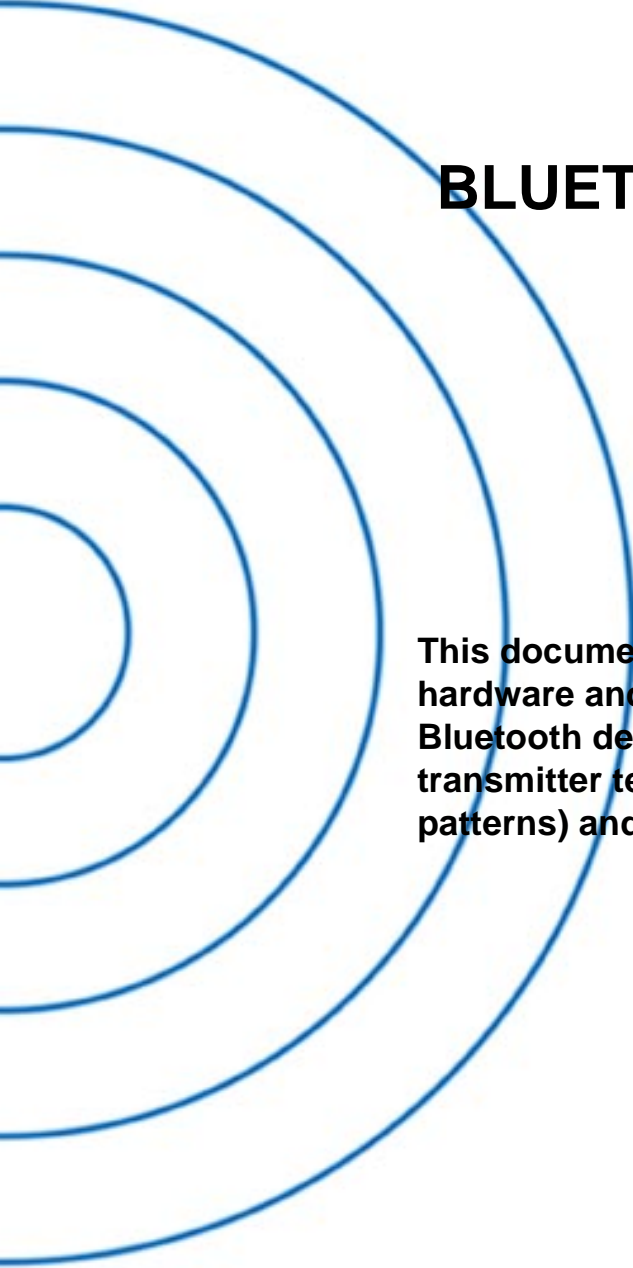
If the UART synchronization is lost in the communication from Host Controller to Host, then the Host shall send the HCI\_Reset command in order to reset the Host Controller. The Host shall then re-synchronize by looking for the HCI Command Complete event for the HCI\_Reset command in the byte stream from Host Controller to Host.

See [“Host Controller Interface Functional Specification” on page 517](#) for HCI commands and HCI events.



## Part I:1

# BLUETOOTH TEST MODE



**This document describes the test mode for hardware and low-level functionality tests of Bluetooth devices. The test mode includes transmitter tests (packets with constant bit patterns) and loop back tests.**



---

## CONTENTS

---

<b>1</b>	<b>General Description .....</b>	<b>806</b>
1.1	Test Setup .....	806
1.2	Activation .....	807
1.3	Control .....	807
<b>2</b>	<b>Test Scenarios .....</b>	<b>808</b>
2.1	Transmitter Test .....	808
2.1.1	Packet Format .....	808
2.1.2	Pseudorandom Sequence .....	810
2.1.3	Reduced Hopping Sequence .....	811
2.1.4	Control of Transmit Parameters .....	811
2.1.5	Power Control .....	812
2.1.6	Switch between different Frequency Settings .....	812
2.2	LoopBack Test .....	812
<b>3</b>	<b>Outline of Proposed LMP Messages .....</b>	<b>817</b>
<b>4</b>	<b>References .....</b>	<b>819</b>

## 1 GENERAL DESCRIPTION

The test mode supports testing of the Bluetooth transmitter and receiver. It is intended mainly for certification/compliance testing of the radio and baseband layer, and may also be used for regulatory approval or in-production and after-sales testing.

A device in test mode must not support normal operation. For security reasons the test mode is designed such that it offers no benefit to the user. Therefore, no data output or acceptance on a HW or SW interface is allowed.

### 1.1 TEST SETUP

The setup consists of a device under test (DUT) and a tester. Optionally, additional measurement equipment may be used.

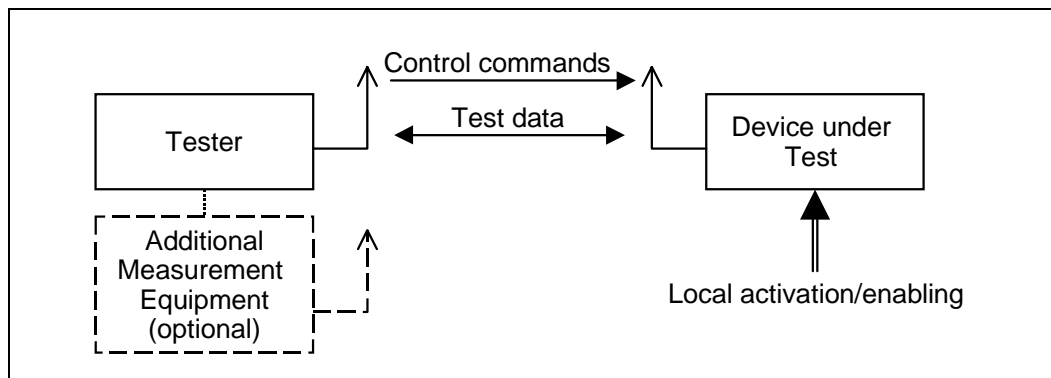


Figure 1.1: Setup for Test Mode

Tester and DUT form a piconet where the tester acts as master and has full control over the test procedure. The DUT acts as slave.

The control is done via the air interface using LMP commands (see [Section 3 on page 817](#) and [“Link Manager Protocol” on page 185](#)). Hardware interfaces to the DUT may exist, but are not subject to standardization.

The test mode is a special state of the Bluetooth model. For security and type approval reasons, a device in test mode may not support normal operation. When the DUT leaves the test mode it enters the standby state. After power-off the Bluetooth device must return to standby state.

## 1.2 ACTIVATION

The activation may be carried out locally (via a HW or SW interface), or using the air interface.

- For activation over the air interface, entering the test mode must be locally enabled for security and type approval reasons. The implementation of this local enabling is not subject to standardization.

The tester sends an LMP command that forces the DUT to enter test mode. The DUT terminates all normal operation before entering the test mode.

The DUT shall return an LMP\_Accepted on reception of an activation command. LMP\_Not\_Accepted shall be returned if the DUT is not locally enabled.

- If the activation is performed locally using a HW or SW interface, the DUT terminates all normal operation before entering the test mode.

Until a connection to the tester exists, the device shall perform page scan and inquiry scan. Extended scan activity is recommended.

## 1.3 CONTROL

Control and configuration is performed using special LMP commands (see [Section 3 on page 817](#)). These commands must be rejected if the Bluetooth device is not in test mode. In this case, an LMP\_not\_accepted is returned. The DUT shall return an LMP\_accepted on reception of a control command when in test mode.

A Bluetooth device in test mode must ignore all LMP commands not related to control of the test mode. LMP commands dealing with power control and the request for LMP features (LMP\_features\_req) are allowed in test mode; the normal procedures are also used to test the adaptive power control.

The DUT can be commanded to leave the test mode by an LMP\_Detach command or by sending an LMP\_test\_control command with test scenario set to 'exit test mode'.

## 2 TEST SCENARIOS

### 2.1 TRANSMITTER TEST

The Bluetooth device transmits a constant bit pattern. This pattern is transmitted periodically with packets aligned to the slave TX timing of the piconet formed by tester and DUT. The same test packet is repeated for each transmission.

The transmitter test is started when the master sends the first POLL packet. In non-hopping mode agreed frequency is used for this POLL packet.

The tester transmits at his TX slots (control commands or POLL packets). The slave starts burst transmission in the following slave TX slot. The master's polling interval is fixed and defined beforehand. The device under test may transmit its burst according to the normal timing even if no packet from the tester was received.

The burst length may exceed the length of a one slot packet. In this case the tester may take the next free master TX slot for polling. The timing is illustrated in [Figure 2.1](#).

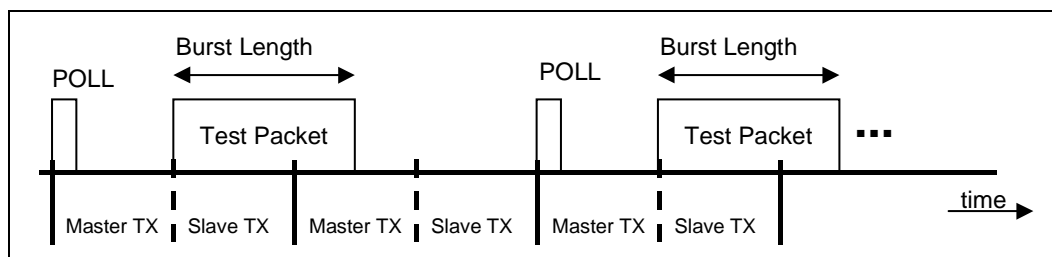


Figure 2.1: Timing for Transmitter Test

#### 2.1.1 Packet Format

The test packet is a normal Bluetooth packet, see [Figure 2.2](#). For the payload itself see below.



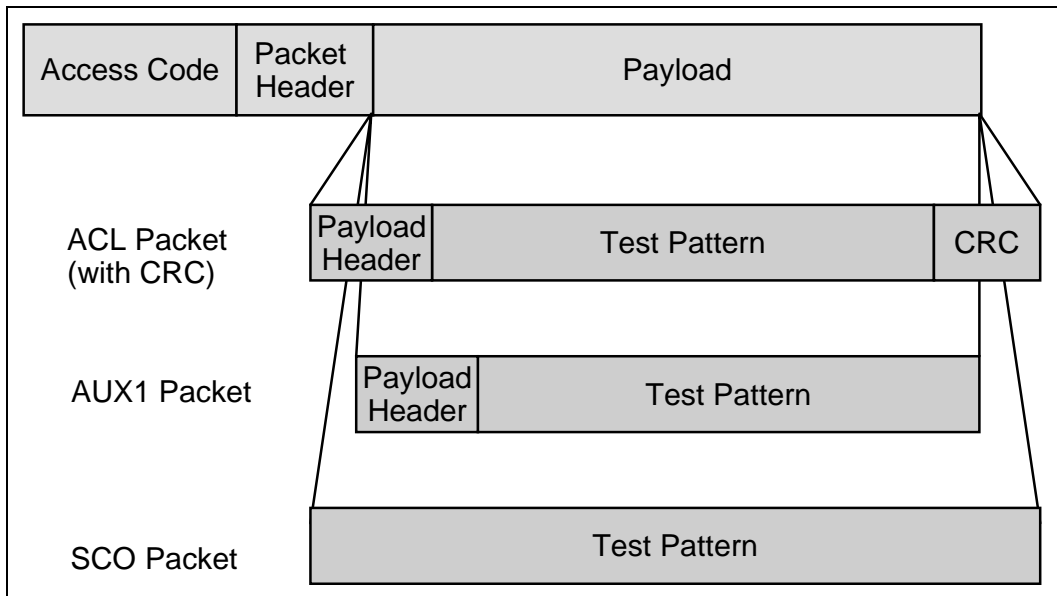


Figure 2.2: General Format of TX Packet

During configuration the tester defines:

- the packet type to be used
- payload length

For the payload length, the restrictions from the baseband specification apply (see “[Baseband Specification](#)” on page 33.). In case of ACL packets the payload structure defined in the baseband specification is preserved as well, see [Figure 2.2](#).

For the transmitter test mode, only packets without FEC should be used; i.e. HV3, DH1, DH3, DH5 and AUX1 packets. Support of packet type is only mandatory up to the longest implemented packet type.

In transmitter test mode, the packets exchanged between tester and DUT are not scrambled with the whitening sequence. Whitening is turned off when the DUT has accepted to enter the transmitter test mode, and is turned on when the DUT has accepted to exit the transmitter test mode, see [Figure 2.3](#).<sup>1</sup>

1. Note: Implementations must ensure that retransmissions of the LMP\_Accepted messages use the same whitening status.

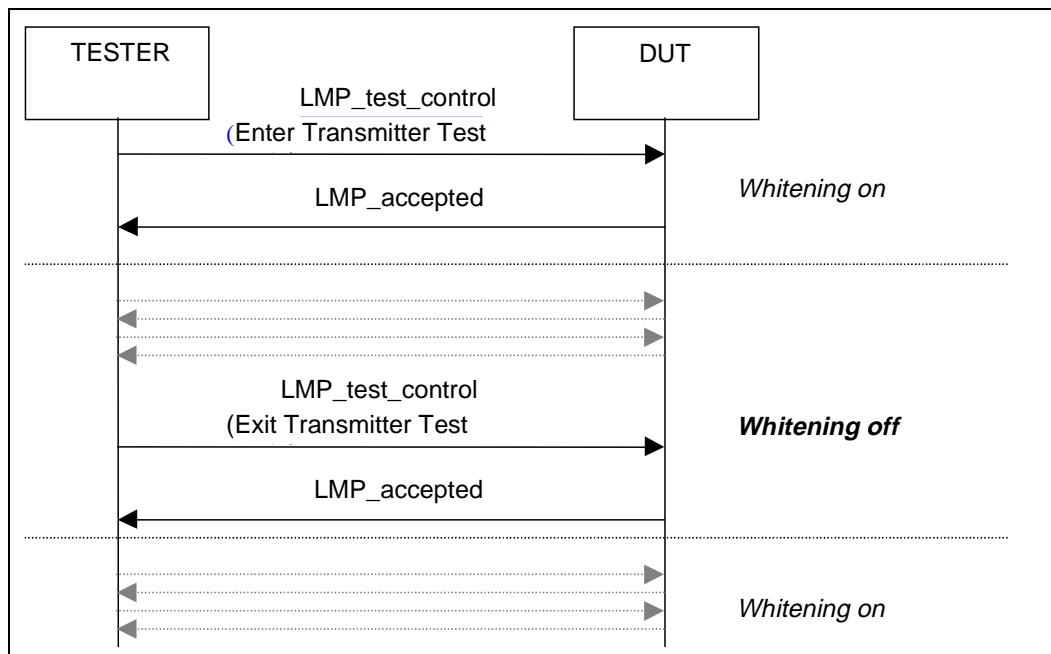


Figure 2.3: Use of whitening in Transmitter mode

### 2.1.2 Pseudorandom Sequence

In case of pseudorandom bit sequence, the same sequence of bits is used for each transmission (i.e. the packet is repeated, see above). A PRBS-9 Sequence<sup>2</sup> is used, see [2] and [3].

The properties of this sequence are as follows (see [3]). The sequence may be generated in a nine-stage shift register whose 5th and 9th stage outputs are added in a modulo-two addition stage (see Figure 2.4), and the result is fed back to the input of the first stage. The sequence begins with the first ONE of 9 consecutive ONES; i.e. the shift register is initialized with nine ones.

- Number of shift register stages: 9
- Length of pseudo-random sequence:  $2^9 - 1 = 511$  bits
- Longest sequence of zeros: 8 (non-inverted signal)

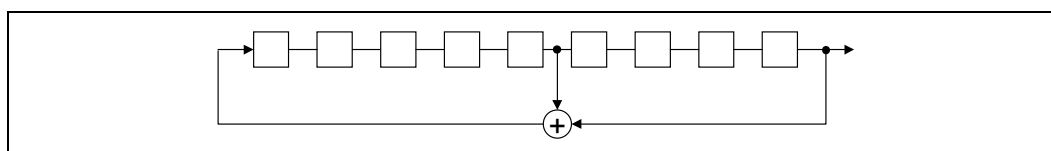


Figure 2.4: Linear Feedback Shift Register for Generation of the PRBS sequence

2. Some uncertainties about Japanese regulatory requirements have been reported. If necessary for regulatory type approval in Japan, some features might be added; e.g. a longer PN sequence.

### 2.1.3 Reduced Hopping Sequence

To support quick testing of the radio over the complete frequency range, a reduced hopping mode is defined. Implementation of this mode is optional for Bluetooth devices and modules.

Reduced hopping uses only five frequencies, on which a sequential hopping is done (channels 0, 23, 46, 69 and 93 are used<sup>3</sup>), see [Figure 2.5](#).

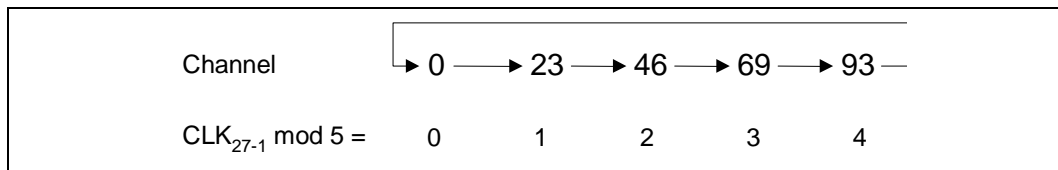


Figure 2.5: Reduced hopping scheme

The timing is based on the Bluetooth clock of the tester. The value of  $CLK_{27-1}$  (i.e. not using  $CLK_0$ , representing half slots) modulo 5 is used to determine the transmit frequency.

### 2.1.4 Control of Transmit Parameters

The following parameters can be set to configure the transmitter test:

1. Bit pattern:
    - Constant zero
    - Constant one
    - Alternating 1010...<sup>4</sup>
    - Alternating 1111 0000 1111 0000...<sup>4</sup>
    - Pseudorandom bit pattern
    - Transmission off
  2. Frequency selection:
    - Single frequency
    - Hopping Europe/USA
    - Hopping Japan
    - Hopping France
    - Hopping Spain
    - Reduced Hopping (implementation in Bluetooth devices and modules is optional)
  3. TX frequency
    - $k \Rightarrow f := (2402 + k)$  MHz
3. The range is chosen to test the whole frequency range, which covers the normal 79 channels, as well as Spanish, French and Japanese hopping schemes. The frequency assignment rule is the same as for the fixed TX frequency:  $f = (2402 + k)$  MHz.
4. It is recommended that the sequence starts with a one; but, as this is irrelevant for measurements, it is also allowed to start with a zero.

4. Default poll period in TDD frames ( $n * 1.25$  ms)
5. Packet Type
6. Length of Test Sequence (user data of packet definition in [Baseband Specification](#) on page 33.)

### 2.1.5 Power Control

If adaptive power control is tested, the normal LMP commands will be used. The DUT starts to transmit at the maximum power and reduces/increases its power by one step on every command received.

### 2.1.6 Switch between different Frequency Settings

A change in the frequency selection becomes effective when the LMP procedure is completed:

The tester switches to a new frequency or hopping pattern after the LMP\_Accepted message has been received.

The DUT switches after the LMP\_accepted message has been sent.

*Note: Loss of the LMP\_Accepted packet will eventually lead to a loss of frequency synchronization that cannot be recovered. Similar problems occur in normal operation, when the hopping pattern changes.*

## 2.2 LOOPBACK TEST

The device under test receives normal baseband packets. The received packets are decoded in the DUT, and the payload is sent back using the same packet type. The return packet is sent back in either the TX slot directly following the transmission of the tester, or it is delayed and sent back in the slot after the next transmission of the tester (see [Figure 2.7](#) to [Figure 2.9](#) on page 815).

Alternatively, it is possible to implement a delayed loopback instead. Then the return packet is delayed to the following TX slot. There is no signalling to determine or control the mode. The device behavior must be fixed or adjusted by other means, but must not change randomly.

The tester can select, whether whitening is on or off. This setting holds for both up- and downlink. For switching the whitening status, the same rules as in [Section 2.1](#) on page 808 ([Figure 2.3](#)) apply.

The following rules apply (for illustration see [Figure 2.6](#) on page 814):

- Clearly, if the synch word was not detected, there will be no reply.
- If the header error check (HEC) fails, the DUT replies with a NULL packet with the ARQN bit set to NAK. It is not mandatory to return a NULL packet in this case; the DUT may send nothing.

- If the packet contains an LMP message relating to the control of the test mode this command is executed and the packet is not returned, though ACK or NAK is still returned as usual procedure. Other LMP commands are ignored and no packet is returned.
- The payload FEC is decoded and the payload is coded again for transmission. This allows testing of the FEC handling. If the pure bit error rate shall be determined the tester chooses a packet type without FEC.
- The CRC is evaluated. In case of a failure, the payload is returned with ARQN = NAK. The CRC for the return packet is calculated for the returned payload.
- If the CRC fails the number of bytes as indicated in the (possibly erroneous) payload header shall be looped back.

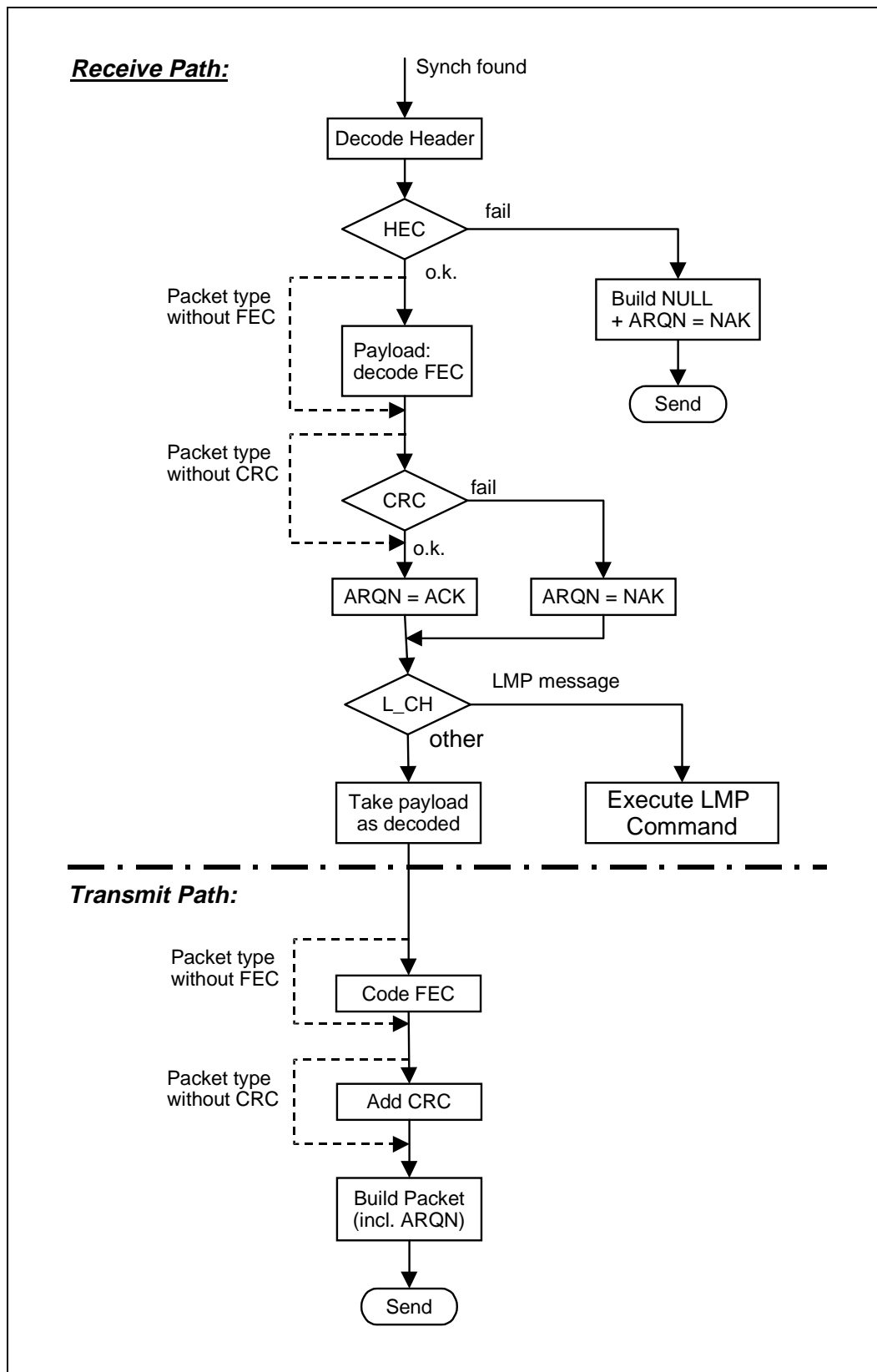


Figure 2.6: DUT Packet Handling in Loop Back Test

The timing for normal and delayed loopback is illustrated in Figure 2.7 to Figure 2.9:

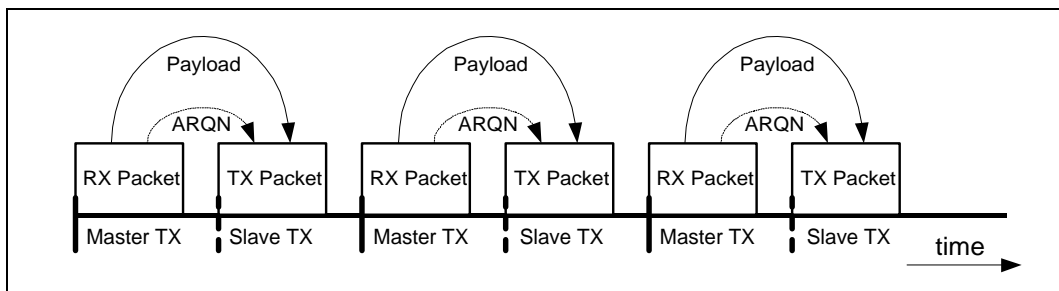


Figure 2.7: Payload & ARQN handling in normal loopback.

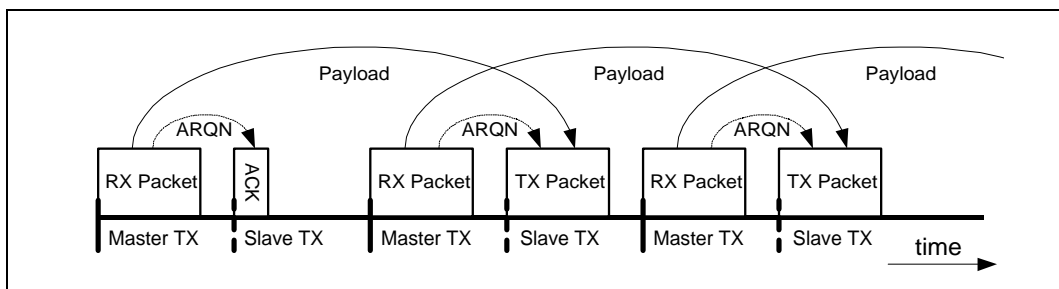


Figure 2.8: Payload & ARQN handling in delayed loopback - start.

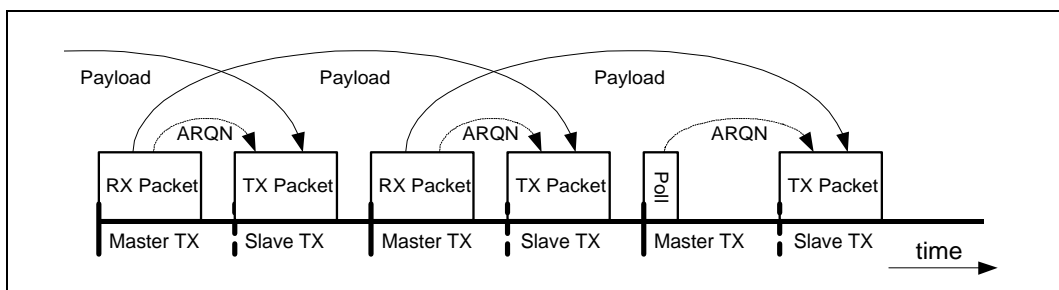


Figure 2.9: Payload & ARQN handling in delayed loopback - end.

The whitening is performed in the same way as it is used in normal active mode.

The following parameters can be set to configure the loop back test:

1. Packet Class<sup>5</sup>
  - ACL Packets
  - SCO Packets
  - ACL Packets without whitening
  - SCO Packets without whitening

5. This is included because, in the future, the packet type numbering may not remain unambiguous.

## 2. Frequency Selection

- Single frequency (independent for RX and TX)
- Hopping Europe/USA
- Hopping Japan
- Hopping France
- Hopping Spain
- Hopping reduced (optional)

*Hopping reduced uses only five frequencies on which a sequential hopping is done on (channel: 0, 23, 46, 69 and 93 is used).*

## 3. Power level: (To be used according radio specification requirements)

- power control or fixed TX power

The switch of the frequency setting is done exactly as for the transmitter test (see [Section 2.1.6 on page 812](#)).



### 3 OUTLINE OF PROPOSED LMP MESSAGES

Table 3.1 lists all LMP messages used for test mode (see Link Manager Protocol, Section 6 on page 237).

LMP PDU	PDU number	Possible Direction	Contents	Position in Payload
LMP_test_activate	56	m → s		
LMP_test_control	57	m → s	test scenario hopping mode TX frequency RX frequency power control mode poll period packet type length of test data	2 3 4 5 6 7 8 9-10
LMP_detach	7	m → s		
LMP_accepted	3	m ← s		
LMP_not_accepted	4	m ← s		

Table 3.1: LMP messages used for Test Mode

Name	Length (bytes)	Type	Unit	Detailed
Test scenario	1	u_int8		0 Pause (TX off) 1 Transmitter test – 0 pattern 2 Transmitter test – 1 pattern 3 Transmitter test – 1010 pattern 4 Pseudorandom bit sequence 5 Closed Loop Back – ACL packets 6 Closed Loop Back – SCO packets 7 ACL Packets without whitening 8 SCO Packets without whitening 9 Transmitter test – 1111 0000 pattern 10–254 reserved 255 Exit Test Mode
Hopping mode	1	u_int8		0 RX/TX on single frequency 1 Hopping Europe/USA 2 Hopping Japan 3 Hopping France 4 Hopping Spain 5 Reduced Hopping (optional) 6–255 reserved
TX frequency (for DUT)	1	u_int8		f = [2402 + k] MHz

Table 3.2: Parameters used in LMP\_Test\_Control PDU

Name	Length (bytes)	Type	Unit	Detailed
RX frequency (for DUT)	1	u_int8		f = [2402 + k] MHz
Power control mode	1	u_int8		0 fixed TX output power 1 adaptive power control
Poll period	1	u_int8	1.25 ms	
Packet type	1	u_int8		numbering as in packet header, see <a href="#">Baseband Specification</a> )
length of test sequence (=length of user data in <a href="#">Baseband Specification</a> )	2	u_int16	1 byte	unsigned binary number

Table 3.2: Parameters used in LMP\_Test\_Control PDU

The control PDU is used for both transmitter and loop back tests. The following restrictions apply for the parameter settings:

Parameter	Restrictions Transmitter Test	Restrictions Loopback Test
TX frequency	$0 \leq k \leq 93$	$0 \leq k \leq 93$
RX frequency	same as TX frequency	$0 \leq k \leq 93$
Poll period		not applicable (set to 0)
Length of test sequence	depends on packet type: DH1: $\leq 28$ byte DH3: $\leq 181$ byte DH5: $\leq 339$ byte AUX1: $\leq 29$ Byte HV3: = 30 byte	not applicable (set to 0)

Table 3.3: Restrictions for Parameters used in LMP\_Test\_Control PDU

---

## 4 REFERENCES

---

- [1] Bluetooth Link Manager Protocol.
- [2] CCITT Recommendation O.153 (1992), Basic parameters for the measurement of error performance at bit rates below the primary rate.
- [3] ITU-T Recommendation O.150 (1996), General requirements for instrumentation for performance measurements on digital transmission equipment.
- [4] Bluetooth Baseband Specification.



**Part 1:2**

# **BLUETOOTH COMPLIANCE REQUIREMENTS**

**This document specifies the requirements for  
Bluetooth compliance.**



**CONTENTS**

<b>1</b>	<b>Scope .....</b>	<b>825</b>
<b>2</b>	<b>Terms used .....</b>	<b>826</b>
<b>3</b>	<b>Legal aspects .....</b>	<b>828</b>
<b>4</b>	<b>The value of the Bluetooth Brand.....</b>	<b>829</b>
<b>5</b>	<b>The Bluetooth qualification program .....</b>	<b>830</b>
<b>6</b>	<b>Bluetooth license requirements for products .....</b>	<b>832</b>
6.1	Bluetooth radio link requirements.....	832
6.1.1	Requirement description .....	832
6.1.2	Qualification.....	832
6.2	Bluetooth protocol requirements .....	832
6.2.1	Qualification.....	833
6.3	Bluetooth profile requirements .....	833
6.3.1	Requirement description .....	833
6.3.2	Qualification.....	834
6.4	Bluetooth information requirements .....	834
6.4.1	Requirement description .....	834
6.4.2	Qualification.....	834
6.5	Requirements on Bluetooth accessory products.....	834
6.5.1	Definition of 'Bluetooth accessory products'.....	834
6.5.2	Qualification.....	834
6.6	Requirements on Bluetooth components .....	834
6.6.1	Definition of "Bluetooth components" .....	834
6.6.2	Requirement description .....	835
6.6.3	Qualification.....	835
<b>7</b>	<b>Bluetooth license provisions for early products.....</b>	<b>836</b>

**8 Bluetooth Brand License provisions for special products & marketing ..... 837**

8.1 Bluetooth Development tools and demos ..... 837

    8.1.1 Definition of ‘Bluetooth Development tools and demos’ ..... 837

    8.1.2 Requirement description ..... 837

    8.1.3 Qualification ..... 837

8.2 Marketing ..... 837

**9 Recommendations concerning information about a product’s Bluetooth capabilities..... 838**

**10 Quality management, configuration management and version control..... 839**

**11 Appendix A – Example of a “Bluetooth Capability Statement” ... 840**

**12 Appendix B - Marketing names of Bluetooth profiles ..... 841**



---

# 1 SCOPE

---

The Bluetooth Promoters and the Bluetooth Adopters have signed the Promoters' Agreement and the Adopters' Agreement respectively. These agreements grant Promoters and Adopters a Bluetooth license for "products which comply with the Specification".

This document specifies the requirements which must be met by a Promoter or Adopter to demonstrate that a particular product does "comply with the Specification", thereby qualifying that particular product to be subject to the rights extended by the Promoters' and Adopters' Agreements respectively.

The Bluetooth Qualification Program is the process by which a Promoter or an Adopter demonstrates that a particular product meets the requirements specified herein. This document provides an overview of the requirements and the Bluetooth Qualification Program. Further details are available through the Bluetooth Web site.

Regulatory requirements and governmental type approval requirements are outside the scope of this document.

## 2 TERMS USED

---

*Bluetooth Trademark* – As defined in the Promoters' Agreement and the Adopters' Agreement.

*Bluetooth Brand* – Covers all the brand elements specified in the "The Bluetooth Brand Book". Equal to the Bluetooth Trademark.

*Bluetooth Logo or Logo* – the brand element referred to as the 'figure mark' in the 'The Bluetooth Brand Book'.

*Bluetooth License* – all the rights, defined in the Promoters' and Adopters' Agreements respectively, that are granted by compliance with the specification, i.e. the Bluetooth Patent License and the Bluetooth Brand License.

*Bluetooth Patent License* – the applicable parts of the Bluetooth license consisting of patent rights or parts thereof as defined in the Promoters' and Adopters' Agreements respectively.

*Bluetooth Brand License* – the applicable parts of the Bluetooth license consisting of trademark rights as defined in the Promoters' and Adopters' Agreements respectively.

*Protocol specification* – defines the communication between two peer devices at a certain layer.

*Profile specification* – defines the usage of (parts of) the protocol stack for a certain Bluetooth usage model.

*Bluetooth qualification process* – the rules and procedures by which the manufacturer demonstrates compliance to the Bluetooth specification.

*Bluetooth qualification program* – the implementation of the Bluetooth qualification process.

*Bluetooth Qualification Review Board (BQRB)* – responsible for managing, reviewing and improving the Bluetooth qualification program. The original Bluetooth SIG companies will appoint BQRB initial members.

*Bluetooth Qualification Test Facility (BQTF)* – a test facility that is officially authorized by BQRB to test Bluetooth products.

*Bluetooth Qualification Body (BQB)* – a specific person authorized by the BQRB to be responsible for checking declarations and documents against requirements, reviewing product test reports, and listing products on the official database of Bluetooth qualified products.

*Bluetooth Qualification Administrator (BQA)* – a person responsible for administering the Bluetooth Qualification Program on behalf of BQRB.

*Implementation Conformance Statement (ICS)* – a document that the manufacturer attaches to the product when submitting it for qualification. It specifies all the implemented Bluetooth capabilities in detail.

*Bluetooth Fellow Adopter* – equal to Bluetooth Promoters + Bluetooth Adopters.

### 3 LEGAL ASPECTS

---

Rules and guidelines on how to use the Bluetooth Brand elements are stated in the document “[The Bluetooth Brand Book](#)” which is available on the Bluetooth Web site.

The Bluetooth Specification has been created, according to our best knowledge, to meet regulatory requirements worldwide. Regulatory certification as such is not a part of the Bluetooth qualification requirements, yet it is a requirement in all markets. It is the sole responsibility of each manufacturer to ensure that their products have all necessary regulatory approvals for the markets where their product(s) are intended to be sold or used.

A product must complete Bluetooth Qualification to meet the requirements for “complying with the Specification”. The Bluetooth license granted by the Promoters’ and Adopters’ Agreements respectively is valid only for qualified products and is not transferable to other products.

In this document, the ‘Bluetooth license’ is sometimes divided into the ‘Bluetooth patent license’ and the ‘Bluetooth brand license’ for practical reasons. These terms correspond, respectively, to the terms ‘necessary claims’ and ‘trademark’ in the Promoters’ and Adopters’ Agreements respectively.

Sanctions will be invoked against any company responsible for producing or trading (a) products containing elements of the Bluetooth Interface, as defined in the Bluetooth Promoters’ Agreement and Adopters’ Agreement respectively, that do not comply with the Specification, or (b) products containing elements of the Bluetooth Interface that have not completed Bluetooth Qualification.

The Bluetooth SIG reserves the right to define a process for adding new Bluetooth profiles after the release of the Specification 1.0.

A Bluetooth brand license is granted by Ericsson to all Fellow Adopters for the use of the trademark in connection with products complying with the Specification.

Ericsson further provides Fellow Adopters a limited indemnity for costs and expenses incurred by the Fellow Adopter based upon the use of the trade mark within countries where Ericsson has registered the trademark. Ericsson does not take upon itself any liability regarding product, whether such liability is based on damages caused by the product for persons or property, or defects in the product itself.

---

## 4 THE VALUE OF THE BLUETOOTH BRAND

---

The purpose of this document is to define the requirements for Bluetooth compliance. This has been done while bearing the basic Bluetooth philosophy in mind:

“Wireless Connections Made Easy”

Examples of important end-user experiences are:

- Reliable high-quality radio links,
- Interoperability between products of any brands,
- Easily understood product capabilities.

A reliable radio link experience depends upon all products demonstrating compliance with the Bluetooth radio link performance specifications. Interoperability is achieved by protocol and profile implementation conformance. Ease of use depends upon clear, consistent documentation of Bluetooth capabilities in product literature. All these elements are addressed in the requirements for Bluetooth compliance.

## 5 THE BLUETOOTH QUALIFICATION PROGRAM

This paragraph specifies the framework of the Bluetooth qualification program that a Bluetooth qualification applicant must perform. When completed, the full Bluetooth qualification program will be published at the Bluetooth web site.

The Bluetooth qualification program (“Program”) establishes the rules and procedures by which the manufacturer demonstrates compliance to the Bluetooth specifications, and the process by which the Bluetooth license may be used by product manufacturers and distributors.

The Program defines the following entities:

- *Bluetooth Qualification Review Board (BQRB)* – responsible for managing, reviewing and improving the Bluetooth qualification program. The original Bluetooth SIG companies will appoint BQRB initial members.
- *Bluetooth Qualification Administrator (BQA)* – responsible for administering the Bluetooth Qualification Program on behalf of BQRB.
- *Bluetooth Qualification Test Facility (BQTF)* – a test facility that is officially authorized by BQRB to test Bluetooth products.
- *Bluetooth Qualification Body (BQB)* – a specific person authorized by the BQRB to be responsible for checking declarations and documents against requirements, reviewing product test reports, and listing products on the official database of Bluetooth qualified products.

Functions and relationships are illustrated in [Figure 5.1](#).

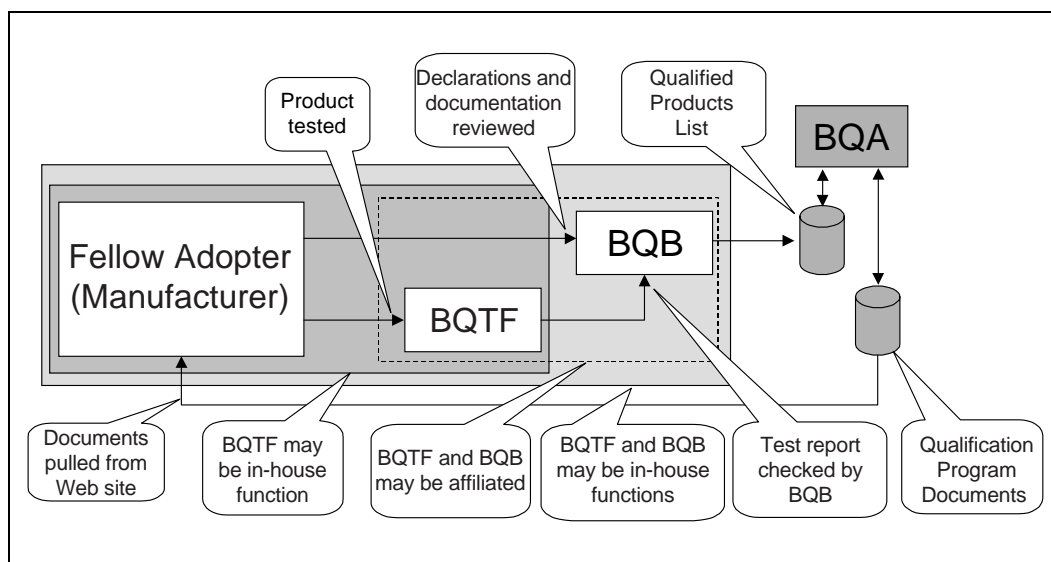


Figure 5.1: Bluetooth Qualification Process

**Summary of the Qualification process:**

1. The Fellow Adopter submits the product for Bluetooth qualification to a BQTF. The manufacturer must add temporary interfaces and/or functionality so that all implemented Bluetooth capabilities can be tested. The BQTF is not responsible for providing any secondary systems such as a LAN, PSTN or GSM network to facilitate the testing. Necessary documentation shall be provided; e.g. product description, user's manual and the Implementation Conformance Statement (a template for this document will be available at the Bluetooth web site). The BQTF tests each Bluetooth feature declared in the Implementation Conformance Statement according to the current Test Specification and BQRB policies and prepares a test report.
2. The test results and product documentation are then sent to the BQB. The Fellow Adopter sends an application to the BQB requesting that the product be listed as 'Bluetooth Qualified'. The application shall contain –
  - a) Precise product description, and
  - b) Declaration of Compliance with the Bluetooth Specification (including this entire document) and the Bluetooth Brand Book, signed by a duly authorized official of the Fellow Adopter.
3. When the application is complete, the BQB issues a Qualified Product notice and (with the applicant's permission) lists the product on the official Bluetooth Qualified products databases which can be viewed by all Fellow Adopters.

The BQTF may either be a third-party test house or an internal function of the applying Fellow Adopter. Also the BQB can be either internal or external. Both the BQTF and the BQB must always be authorized by the BQRB.

It is the responsibility of the manufacturer to establish any necessary non-disclosure agreements with BQTF, BQB and (if required) BQA. In the event the BQB cannot determine compliance the BQB may, with the applicant's permission, submit information to the BQA for a ruling. In the event the BQRB must be consulted, the applicant will be requested to prepare a submission according to BQRB guidelines.

The Fellow Adopter will be invoiced directly from BQTF and BQB for their respective services and expenses. The BQRB will also charge a fee to finance the administration associated with the Qualification program. Initially, this fee will be \$3000 per listed product. It will subsequently be adjusted once per year, to reflect the actual cost.

## **6 BLUETOOTH LICENSE REQUIREMENTS FOR PRODUCTS**

---

This section summarizes the product requirements that must be met to complete a Bluetooth Qualification.

The product requirements are divided into:

- Bluetooth radio link requirements
- Bluetooth protocol requirements
- Bluetooth profile requirements
- Bluetooth information requirements

### **6.1 BLUETOOTH RADIO LINK REQUIREMENTS**

#### **6.1.1 Requirement description**

The Bluetooth radio link shall meet certain minimum requirements, which are documented in the Test Specification. This is to establish and maintain the Bluetooth technology as the preferred choice for wireless short-range links. The Test Specification for the Bluetooth radio link requirements will be based on the Bluetooth specification Part A (Radio specification).

#### **6.1.2 Qualification**

The BQRB will issue a list of BQTFs that are allowed to qualify products against the Bluetooth performance requirements.

### **6.2 BLUETOOTH PROTOCOL REQUIREMENTS**

The implementation of the lower layers of the Bluetooth protocol stack shall meet certain minimum requirements, which are documented in the Test Specification. In order to verify that these requirements are met, individual testing of these protocols will be performed. The verification will be done by accessing the upper interface of these protocols through the Bluetooth Test Control Interface, TCI. How this test control interface will be used during verification is described in the Test Specification.

The Test Specification for the Bluetooth protocol requirements will be based on the Bluetooth specification Part B, C, D and H (Base band, Link Manager, Logical Link Control and Adaptation and, if applicable, the Host Controller Interface).



### 6.2.1 Qualification

The BQRB will issue a list of BQTFs that are allowed to qualify products against the Bluetooth protocol requirements.

The manufacturer is allowed to modify both the HW and SW of the product, to make it possible to perform the protocol tests. If this is done, the manufacturer must guarantee that an identical implementation of Bluetooth specification Part B, C, D and H (Base band, Link Manager, Logical Link Control and Adaptation and, if applicable, the Host Controller Interface) is used in the real product.

## 6.3 BLUETOOTH PROFILE REQUIREMENTS

### 6.3.1 Requirement description

The Bluetooth products shall meet certain minimum Bluetooth profile requirements which, for each profile, is defined in the Test Specification. This is to ensure that the end user can benefit from interoperability between different products and brands. The Test Specification for the Bluetooth profile requirements will be based on the Bluetooth specification Part K (Profile specifications).

The following general Bluetooth profile requirements must always be met:

- The “Generic Access” profile must be complied with.
- All implemented Bluetooth services must be described in the “Implementation Conformance Statement”.
- All Bluetooth profiles declared in the “Implementation Conformance Statement” must be implemented according to each profile specification.
- All mandatory features of a Bluetooth profile role shall be implemented. All implemented optional Bluetooth features of a profile role shall be implemented according to the profile specification.
- If a service, for which there exists a Bluetooth profile, shall be implemented, it must be done according to that profile. It is permitted to make improvements or add features to a profile, as long as interoperability is maintained with other products that have implemented the standard profile as described in the previous paragraph. Improvements or new features can only be activated after proper negotiation between two Bluetooth devices.

Notification: A Fellow Adopter that wants to implement a new service, for which there is no sufficient standardized Bluetooth profile specification available, is allowed to do so. However, this new service must never be referred to in a way that it could mistakenly be interpreted as being a standard Bluetooth profile and part of the Bluetooth specification. The manufacturer must inform the market as well as the end user in a clear and consistent way about these limitations in general interoperability.

### **6.3.2 Qualification**

The BQRB will issue a list of BQTF that are allowed to qualify products against the Bluetooth profile requirements.

## **6.4 BLUETOOTH INFORMATION REQUIREMENTS**

### **6.4.1 Requirement description**

The manufacturer shall inform the market and end users in a clear and consistent way about the implemented Bluetooth capabilities.

### **6.4.2 Qualification**

The product will be qualified against the Bluetooth information requirements.

## **6.5 REQUIREMENTS ON BLUETOOTH ACCESSORY PRODUCTS**

### **6.5.1 Definition of ‘Bluetooth accessory products’**

A Bluetooth accessory product is defined as “A product marketed to the end user, containing at least the hardware for the Bluetooth radio and baseband, yet not being a stand-alone Bluetooth product. After being installed in a host system, the product acts like a complete Bluetooth product.” Examples of Bluetooth accessory products: PC-Cards, serial port dongles, USB dongles.

Bluetooth accessory products must also pass through the complete Bluetooth qualification process. To facilitate testing, the Bluetooth accessory product and the provided Bluetooth SW will be installed in a host device that is provided by the manufacturer.

### **6.5.2 Qualification**

Same as in [Section 6.1](#) - [Section 6.4](#) above.

## **6.6 REQUIREMENTS ON BLUETOOTH COMPONENTS**

### **6.6.1 Definition of “Bluetooth components”**

A Bluetooth component is defined as “A component product designed and marketed for the enabling of a complete Bluetooth product, which component product containing at least a subset of an existing Bluetooth Profile (see [Section 6.3 on page 833](#)), yet not being able to function as a complete Bluetooth product”. For example, a Bluetooth component might be a complete module designed for integration on a PC board, or an integrated circuit implementing all Bluetooth baseband and protocol functions.

A Bluetooth component is typically purchased and integrated by an original equipment manufacturer (OEM) into a product designed for sale to an end user.

A Bluetooth component manufacturer will typically obtain a limited Bluetooth License enabling the manufacturer to identify the component's Bluetooth capabilities. A component manufacturer may also wish to minimize their OEM customer's qualification testing requirements through one-time qualification testing of a reference design based on the component. Qualifying a component is not necessary as long as the final product is qualified. The possibility has been created only to ease the marketing of Bluetooth components.

### **6.6.2 Requirement description**

Bluetooth components must pass through the complete Bluetooth qualification process in a reference design configuration documented in an application note.

Bluetooth products incorporating a limitedly licensed Bluetooth component must also pass through the complete Bluetooth qualification process. However, certain tests may be waived if so indicated in the limited Bluetooth License valid for the component.

A component's limited Bluetooth License identifies specific qualification tests that may be considered pre-qualified by an OEM manufacturer using the component in an end-user product. Those specific qualification tests are identified by the BQTF, which performs qualification testing of the Bluetooth component in its reference design. BQTF identifies those tests based on the unique design characteristics of the component in consultation with the manufacturer.

### **6.6.3 Qualification**

A product which includes an integrated Bluetooth component must be qualified as described in [Section 6.1](#) - [Section 6.4](#) above, possibly with some of the tests waived if so indicated in the limited Bluetooth License valid for the component.

## **7 BLUETOOTH LICENSE PROVISIONS FOR EARLY PRODUCTS**

---

The process and conditions for qualifying early products (that may contain reasonable deviations from the Bluetooth specification) will be defined and published on the Bluetooth web site.

## **8 BLUETOOTH BRAND LICENSE PROVISIONS FOR SPECIAL PRODUCTS & MARKETING**

---

This section defines the requirements for using the Bluetooth Brand elements for special products and marketing.

### **8.1 BLUETOOTH DEVELOPMENT TOOLS AND DEMOS**

#### **8.1.1 Definition of ‘Bluetooth Development tools and demos’**

Bluetooth Development tools and demos are products intended either for developing commercial Bluetooth products or for demonstrating the Bluetooth technology in a certain application. Neither one may be sold to ordinary consumers.

#### **8.1.2 Requirement description**

The manufacturer and/or seller of these products shall clearly inform the targeted audience/customer that the products are for development and/or demonstration purpose only, and that they have not been qualified to the Bluetooth specification.

#### **8.1.3 Qualification**

Qualification testing by a BQTF is not required. Qualification is based upon the applicant’s declaration of compliance with the Specification and Brand Book.

### **8.2 MARKETING**

The Bluetooth Brand elements may be used for general marketing and product announcements. The rules of the Bluetooth Brand Book must be followed.

If the Bluetooth Brand is used on a give-away item, where it is not obvious to everyone that the product doesn’t contain a Bluetooth radio, then a clear disclaimer has to be displayed on the product (e.g. a give-away calculator with the Bluetooth brand must have a visible disclaimer since the idea of calculators with in-built Bluetooth actually makes sense).

## **9 RECOMMENDATIONS CONCERNING INFORMATION ABOUT A PRODUCT'S BLUETOOTH CAPABILITIES**

---

In addition to the requirements set forth in the Brand Book, it is recommended that at least the following pieces of information are provided for the market and the end-user:

- The Bluetooth capabilities of the product should be stated, at least in brief, on the product box.
- The user's manual (or corresponding information) should contain a section where all the Bluetooth capabilities are described. A list of qualified standard profiles using the profile names listed in Appendix B should be contained. If applicable, revision numbers of the implemented profiles shall be included. For early products a list of interoperable products instead of profiles should be contained.

Important places for end-user information are user's manuals (user guides), leaflets, boxes and other advertisement material.

An example of information in a user's manual can be found in Appendix A on [page 840](#).

It is important that new profiles, not sanctioned by the Bluetooth SIG, cannot be mistaken for profiles contained in the Bluetooth specification. In case of new profiles it is important that the manufacturer inform the market and the end user about what other *products* that interoperability can be expected with.

---

## **10 QUALITY MANAGEMENT, CONFIGURATION MANAGEMENT AND VERSION CONTROL**

---

Each manufacturer is responsible for keeping a high quality level when mass-producing an approved product. Products that are put on the market shall meet the requirements for which the product has been qualified.

A Bluetooth Qualification covers specific product hardware and software versions. The product's manufacturer is responsible for ensuring that all production units perform identically to the qualified version, by maintaining appropriate quality management and configuration management programs.

Major hardware or software modifications related to the Bluetooth part of a qualified product, shall be documented and submitted to the BQB for review. Based on the manufacturer's representations, the BQB may certify that the product requires no further testing and allow the license to be updated to include the new version. In other cases, the BQB may identify a limited subset of tests that must be performed by a BQTF to qualify the new version.

Addition of Bluetooth capabilities requires a new qualification of the product.

---

## 11 APPENDIX A – EXAMPLE OF A “BLUETOOTH CAPABILITY STATEMENT”

---

This is an example of a Bluetooth Capability Statement in a User’s Manual.

.....

Bluetooth Capability Statement

**This product is manufactured to meet the Bluetooth Specification 1.0.** The following Bluetooth functions are supported:

- Service Discovery
- Cordless Telephony
- Local Telephony
- Headset

.....

The profiles normally use roles. In most cases it is obvious which role a certain product has implemented. Where doubt or misunderstanding could arise, the implemented role shall be explicitly stated after the profile name.



## 12 APPENDIX B - MARKETING NAMES OF BLUETOOTH PROFILES

Bluetooth uses profiles to ensure interoperability between products and brands. The profile specifications are technical documents. In the marketing communication it is strongly recommended to use the names listed in [Table 12.1](#).

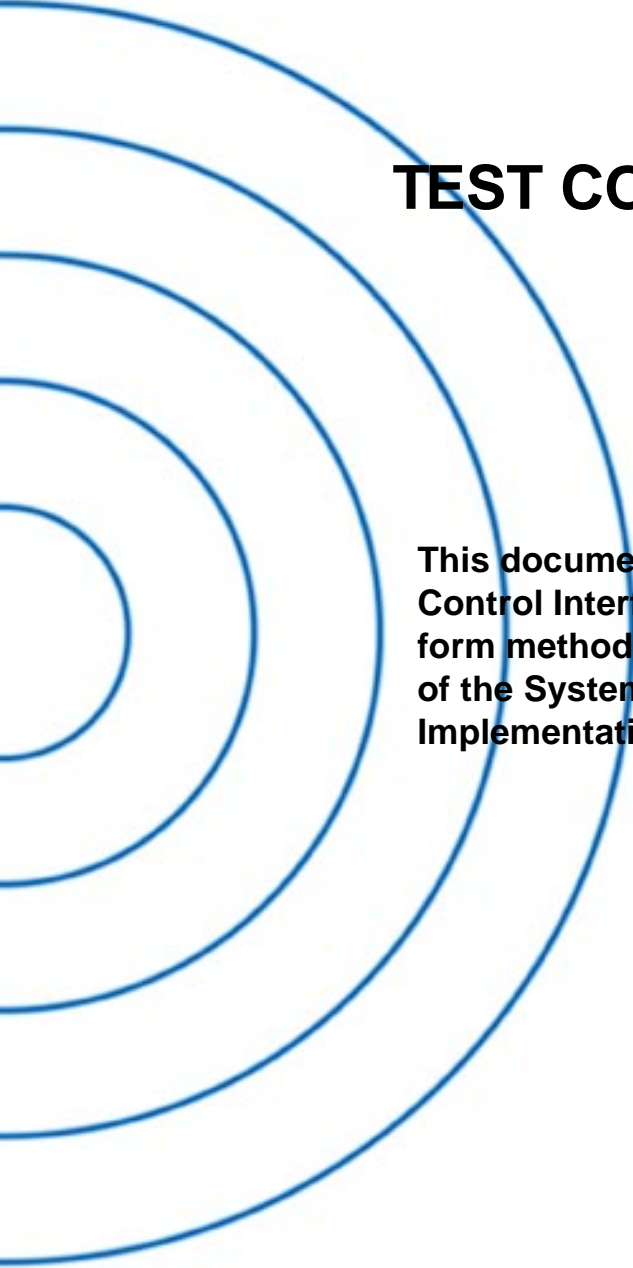
Profile name	Marketing name	Comments
Generic Access	Generic Access	Mandatory
Service Discovery	Service Discovery	
Cordless Telephony	Cordless Telephony	
Intercom	Local Telephony	
Headset	Headset	
Speaker phone	Speakerphone	
Dial-up networking	Modem	
Fax	Fax	
LAN Access	Network access point	
Conferencing	Conferencing	
Serial port	Serial port	
Generic Object Exchange	Object Exchange	
Object Push	Object push	
File Transfer and Browsing	Data sharing	
Synchronization	Synchronization	

Table 12.1: Marketing names for Bluetooth profiles



## Part I:3

# TEST CONTROL INTERFACE



This document describes the Bluetooth Test Control Interface (TCI). The TCI provides a uniform method of accessing the upper interface of the System Under Test (SUT) and/or the Implementation Under Test (IUT).



**CONTENTS**

<b>1</b>	<b>Introduction .....</b>	<b>847</b>
1.1	Terms Used.....	847
1.2	The needs for a unified test interface.....	847
1.3	Usage of the interface .....	848
<b>2</b>	<b>General Description .....</b>	<b>849</b>
2.1	Baseband and Link Management verification .....	849
2.2	HCI verification.....	851
2.3	L2CAP verification.....	852
<b>3</b>	<b>Test Configurations.....</b>	<b>854</b>
3.1	Bluetooth RF Link requirements.....	854
3.1.1	Required Interface(s).....	854
3.2	Bluetooth protocol requirements .....	854
3.2.1	Required Interface(s).....	855
3.3	Bluetooth profile requirements .....	855
3.3.1	Required Interface(s).....	855
<b>4</b>	<b>TCI-L2CAP Specification .....</b>	<b>856</b>
4.1	Events .....	856
4.1.1	Connect Indication.....	856
4.1.2	Configuration Indication.....	857
4.1.3	Disconnect Indication .....	857
4.1.4	Violation Indication .....	857
4.2	Commands.....	857
4.2.1	Connection Establishment.....	858
4.2.2	Connect Response.....	859
4.2.3	Connection Release (Disconnect).....	859
4.2.4	Configuration .....	859
4.2.5	Configure Response.....	860
4.2.6	Disable Connectionless Traffic.....	860
4.2.7	Enable Connectionless Traffic.....	860
4.2.8	Group Create.....	860
4.2.9	Group Close .....	861
4.2.10	Group Add Member.....	861
4.2.11	Group Remove Member.....	862
4.2.12	Group Membership.....	862
4.2.13	Ping .....	862
4.2.14	Get Info.....	863

*Test Control Interface*

**Bluetooth**

- 4.3 Data Transfer ..... 863
  - 4.3.1 Write ..... 863
  - 4.3.2 Read ..... 864
- 5 Abbreviations ..... 866**

---

# 1 INTRODUCTION

---

## 1.1 TERMS USED

**IUT** = Implementation Under Test: An implementation of one or more OSI protocols in an adjacent user/provider relationship, being that part of a real open system which is to be studied by testing.

This term will be used when describing the test concept for Bluetooth accessory products and Bluetooth components. The definition of Bluetooth accessory products and Bluetooth components can be found in [Part I:2 / Section 6.5.1 on page 834](#) and in [Part I:2 / Section 6.6.1 on page 834](#).

**SUT** = System Under Test: The real open system in which the IUT resides. This term will be used when describing the test concept for Bluetooth products.

**TCI** = Test Control Interface: The interface and protocol used by the tester to send and receive commands and messages to and from the upper interface of the SUT/IUT.

## 1.2 THE NEEDS FOR A UNIFIED TEST INTERFACE

For all Bluetooth accessory products, Bluetooth components and Bluetooth products, protocol testing will be used to verify the implemented functionality in the lowest layers; i.e. conformance testing.

For this type of testing, an upper tester (UT) will be required to completely test the implementation.

In order to shield the tester from having to adopt to each and every implementation of IUTs or SUTs, the use of a standardized control interface is mandated. This concept puts some extra burden upon the manufacturer of the IUT/SUT. The manufacturer must:

- adopt the implementation-dependent interface to the TCI
- supply, with the IUT, the adapter needed (can be HW, SW or FW)

### **1.3 USAGE OF THE INTERFACE**

The Bluetooth Test Control Interface, TCI, will be used when verifying the Bluetooth protocol requirements for a Bluetooth accessory product, Bluetooth component or a Bluetooth product. More specifically, the TCI will be used when verifying implemented functionality of the:

- Baseband layer, BB (the protocol-related part)
- Link Manager Protocol, LMP
- Logical Link Control and Adaptation Protocol, L2CAP

and, if support of the HCI is claimed by the manufacturer:

- Host Control Interface, HCI



## 2 GENERAL DESCRIPTION

---

The interface used between the tester and the SUT/IUT will be either of two types:

1. TCI-HCI

This interface is semantically and syntactically identical to the HCI interface described in [“Part H:1” on page 517](#).

2. TCI-L2CAP

This interface is based on the HCI interface, and will be used during verification of the L2CAP layer of the SUT/IUT.

The proposed physical bearer is one of the transport layers specified for the HCI: USB, RS232 or UART, see [“Part H:2” on page 759](#), [“Part H:3” on page 775](#) or [“Part H:4” on page 795](#). However, alternatives do exist. More details will be given in the following sections.

### 2.1 BASEBAND AND LINK MANAGEMENT VERIFICATION

For the verification of the link control part of the Baseband layer and for the Link Manager layer, the TCI-HCI interface will be used as the interface between the test system and the upper interface of the SUT/IUT. The test system accesses the upper interface of the SUT/IUT by sending HCI commands and receiving HCI events from the SUT/IUT as described in the [“Host Controller Interface Functional Specification” on page 517](#). The supported functionality on the TCI-HCI interface depends on the implemented functionality of the BB and LM layers.

The transport bearer used between the tester and the SUT/IUT can be of either of two types:

1. A physical bearer of one of the types USB, RS232 or UART, as defined in [Part H:2](#), [Part H:3](#) or [Part H:4](#). It is recommended to use one of these three physical bearers as transport bearer between the SUT/IUT and the test system.
2. A ‘software’ transfer bearer; i.e. there is no physical connection between the tester and the SUT/IUT. In this case, the manufacturer of the SUT/IUT must supply, when sending in the device for testing, a test software that can be operated by a test operator. The operator will receive instructions from the tester and will execute them on the SUT/IUT. The software must support the same functionality as if using the TCI-HCI with a physical bearer. Use of the ‘software’ interface must be agreed upon between the manufacturer of the SUT/IUT and the test facility that will perform the verification. The test facilities can themselves specify requirements placed on such an interface.

A schematic example is shown in [Figure 2.1](#) of a possible test configuration for BB and LM verification of Bluetooth products which do not support HCI, and which use a physical transport bearer for the TCI-HCI interface. In this figure,

the TC (Test Control) Software represents what the manufacturer has to supply with the SUT/IUT when sending it in for verification. The functionality of the TC software is to adapt the implementation-dependent interface to the TCI-HCI interface.

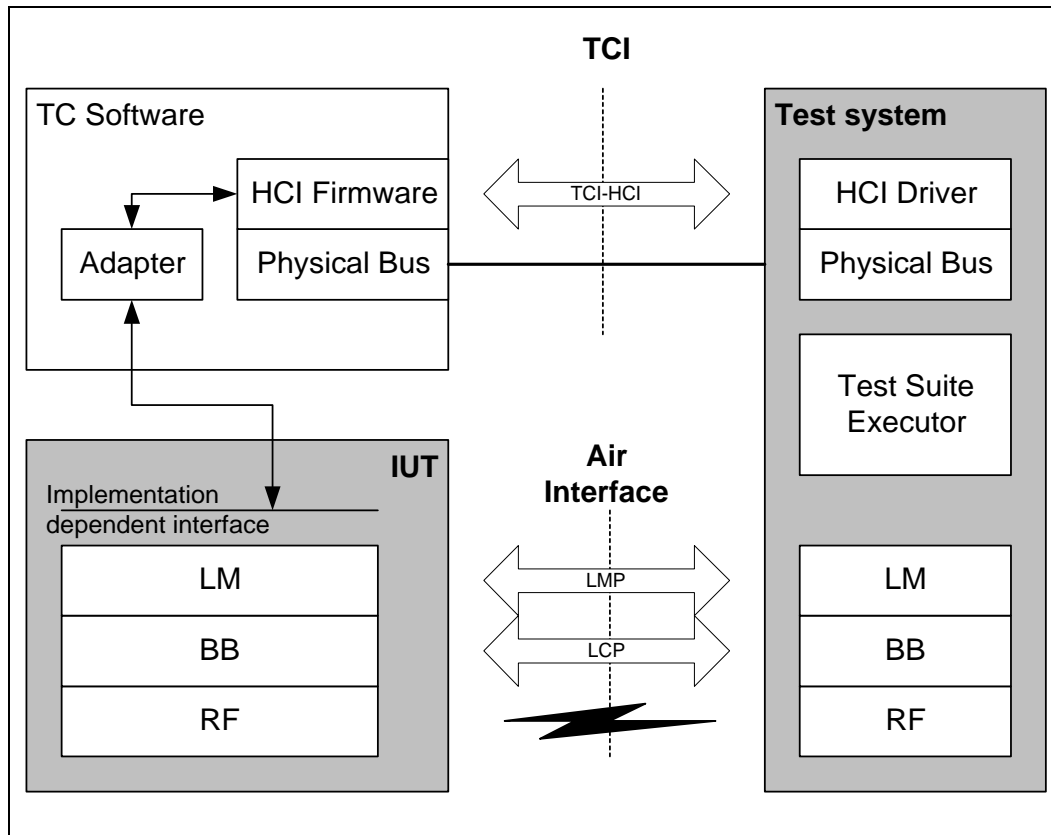


Figure 2.1: Baseband and LM verification without HCI – physical transport bearer

Figure 2.2 shows a schematic example of the test configuration for the same Bluetooth product using a ‘software’ transfer bearer for the TCI-HCI interface. Here, the role of the TC Software is to represent the application that can be controlled by the test operator.

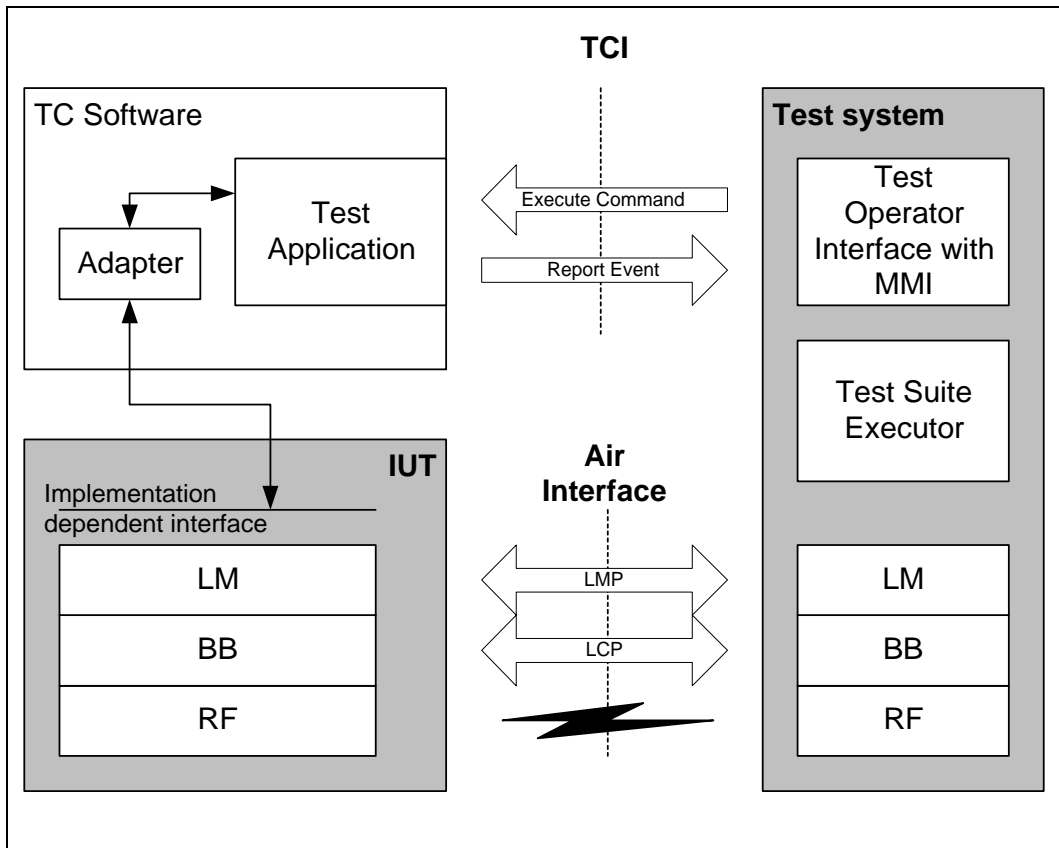


Figure 2.2: Baseband and LM verification without HCI – software transport bearer

## 2.2 HCI VERIFICATION

The TCI-HCI interface may also be used for HCI signalling verification. The HCI signalling will only be verified if support of the HCI functionality is claimed by the manufacturer.

The transport bearer between the tester and the SUT/IUT shall be one of the types USB, RS232, or UART, as defined in [Part H:2](#), [Part H:3](#) or [Part H:4](#).

A schematic example is shown in [Figure 2.3](#) of one possible test configuration for HCI verification of Bluetooth products, using a physical transport bearer for the TCI-HCI interface. As can be seen from the figure, no extra test control software is needed. Instead, the implemented HCI will be used as the interface to the tester.

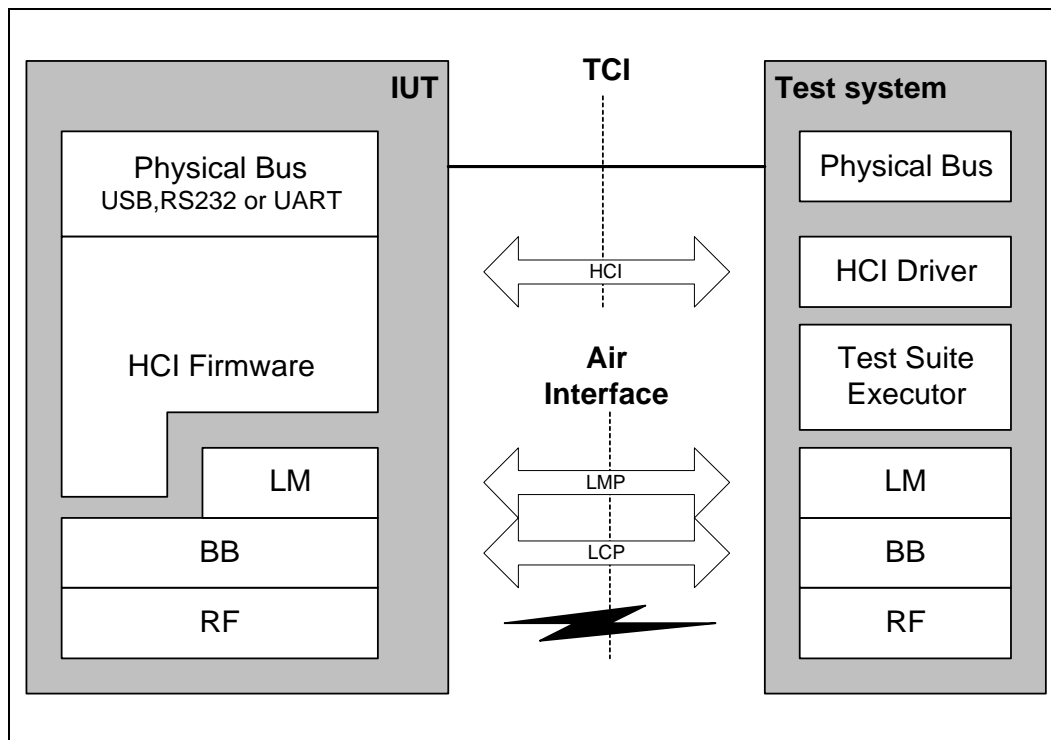


Figure 2.3: HCI verification

### 2.3 L2CAP VERIFICATION

The TCI-L2CAP interface is based on the HCI and will be used during verification of the L2CAP layer of the SUT/IUT. It uses the general event and command syntax as specified in [Part H:1](#), and the mapping to transport layers is also identical to the ones defined in [Part H:2](#), [Part H:3](#) or [Part H:4](#). Commands and events are defined according to the specified L2CAP service interface. See [Part D / Section 7 on page 295](#).

The defined service primitives in the Logical Link and Control Layer specification, [Part D / Section 7 on page 295](#), will be used as reference. However, the primitives for L2CAP events and commands must be converted into messages of the same format as used for the HCI events and commands. The mapping of the L2CAP events and commands to HCI format is described in [Section 4](#) of this document.

A schematic example is shown in [Figure 2.4](#). of how the test configuration can look for L2CAP verification of Bluetooth products, using a physical transport bearer for the TCI-L2CAP interface. In this figure, the TC (Test Control) Software represents what the manufacturer has to supply with the SUT/IUT when sending it in for verification. The functionality of the TC software is to adapt the implementation-dependent interface to the TCI-L2CAP interface.

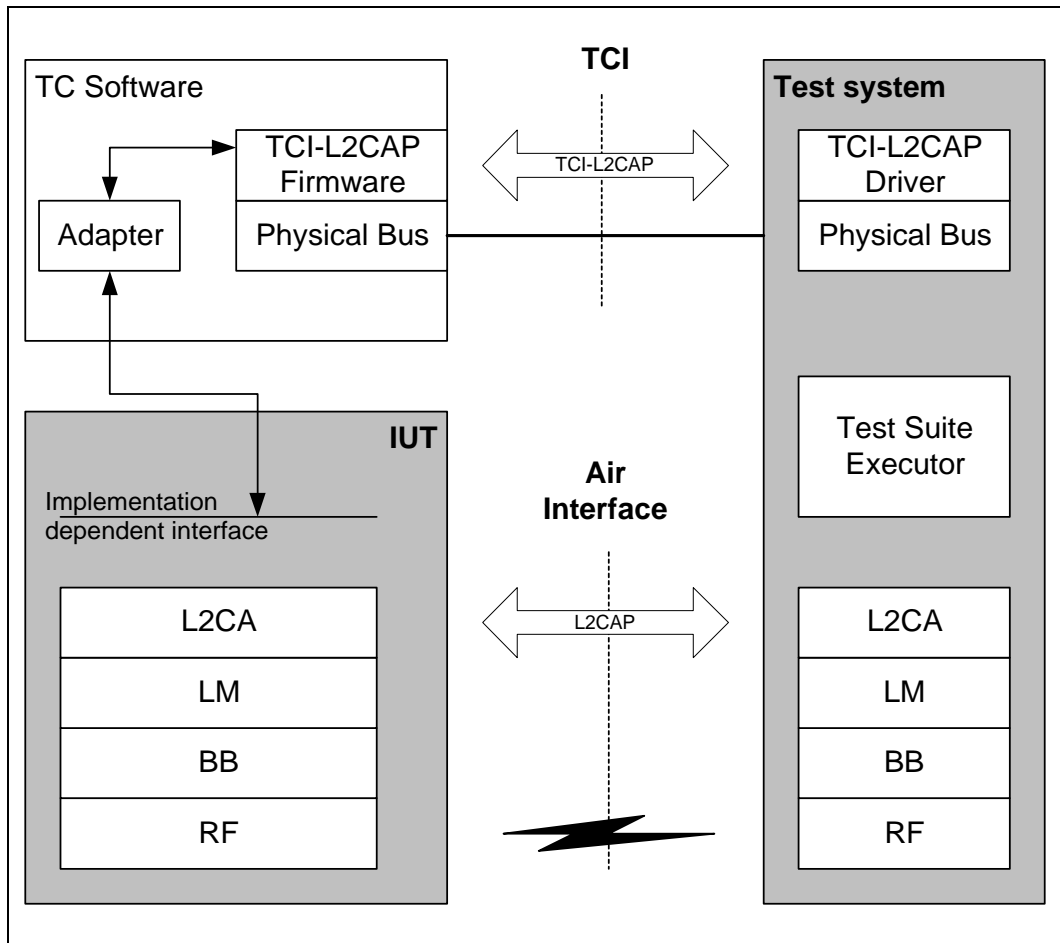


Figure 2.4: L2CAP verification

### 3 TEST CONFIGURATIONS

This section describes the test configurations that will be used when verifying the different Bluetooth requirements.

#### 3.1 BLUETOOTH RF LINK REQUIREMENTS

For the verification of the Bluetooth RF Link requirements, the defined test mode will be used, see “Part I:1” on page 803.

The Test Specification for the Bluetooth radio link requirements will be based on the Bluetooth specification Parts A and B, and will contain the relevant test instructions that should be carried out on the SUT/IUT.

##### 3.1.1 Required Interface(s)

For this type of verification, only the air interface is required. See Figure 3.1. As stated in Part I:1 / Section 1.2 on page 807, for security reasons, the test mode must be locally enabled. The implementation of this local enabling is not subject to standardization.

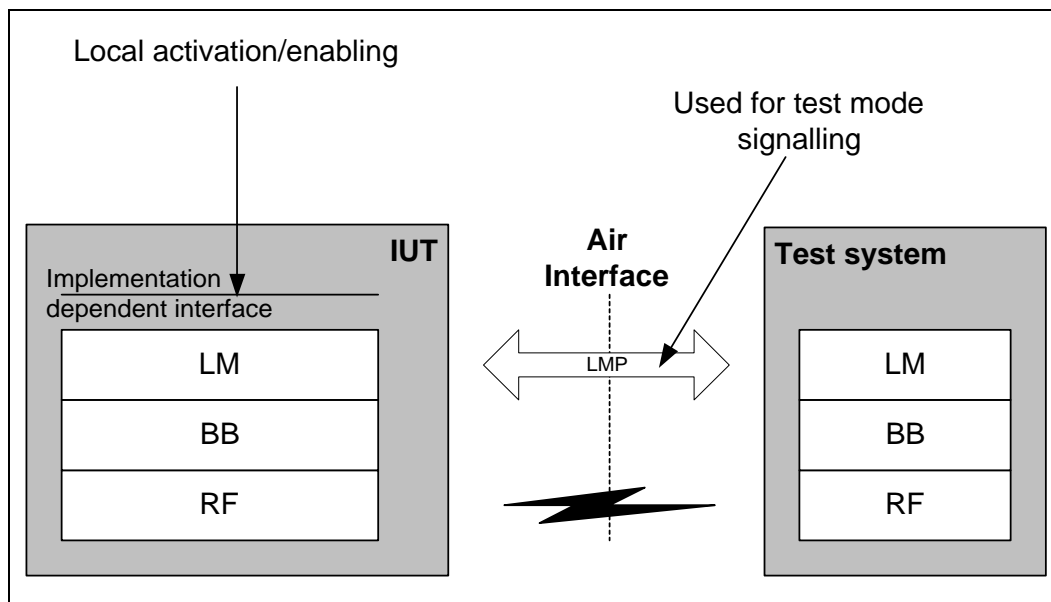


Figure 3.1: Test Configuration for RF link requirement verification

#### 3.2 BLUETOOTH PROTOCOL REQUIREMENTS

Dependent on which Bluetooth layers BB, LM, HCI or L2CAP are implemented in the product sent in for verification, the amount of testing needed to verify the Bluetooth protocol requirements will differ. Also, the TCI used during the verification may be different.

The Test Specification for the Bluetooth protocol requirements will be based on the Bluetooth specification Part A to Part D and Part H, if applicable, and will contain the relevant test instructions that should be carried out on the SUT/IUT.

### 3.2.1 Required Interface(s)

For this type of verification, both the air interface of the SUT/IUT and the test control interface are required. The latter will be one of the types described in section 2.

## 3.3 BLUETOOTH PROFILE REQUIREMENTS

For each profile the Bluetooth product claims to conform to, profile testing will be performed to verify the Bluetooth profile requirements in order to ensure interoperability between products; i.e. interoperability testing.

The Test Specification for the Bluetooth profile requirements will be based on the Bluetooth specification Part K Volume 2, and will contain the relevant test instructions that should be carried out on the SUT.

### 3.3.1 Required Interface(s)

For this type of verification, both the air interface of the SUT and the supported MMI, as described in the profile, will be used during verification, see Figure 3.2.

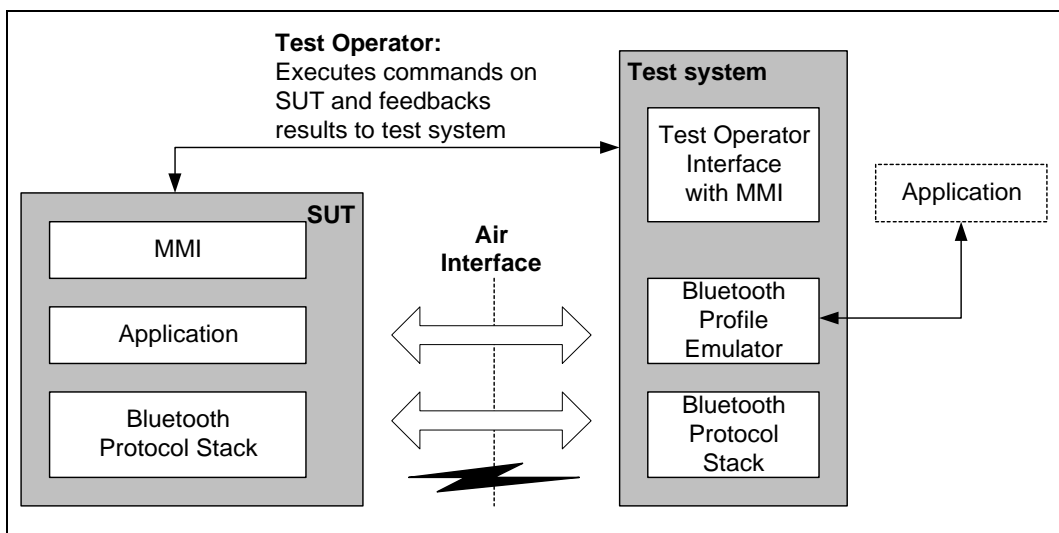


Figure 3.2: Test Configuration for Profile requirement verification

## 4 TCI-L2CAP SPECIFICATION

Note: This specification maps the L2CAP service interface to an appropriate TCI. This section is based on the 0.95b version of the L2CAP specification.

### 4.1 EVENTS

In the L2CAP service interface, indications are mapped to callback functions. The corresponding response parameters are submitted in the return parameter of these functions. For the TCI, the indications are mapped to events and the responses to commands.

A single event code is reserved for testing purposes: 0xFE. To distinguish the L2CAP events, a parameter 'Event\_ID' is submitted as first parameter. This parameter is a single octet, resulting in 256 possible events. The assignment is given in [Table 4.1](#).

Event_ID	L2CAP event
0x00	Reserved
0x01	L2CA_ConnectInd
0x02	L2CA_ConfigInd
0x03	L2CA_DisconnectInd
0x04	L2CA_QoSViolationInd
0x05 – 0xFF	Reserved

Table 4.1: Assignment of event IDs

The events in this test interface follow the HCI syntax as defined in [Part H:1 / Section 4.4.2 on page 535](#).

#### 4.1.1 Connect Indication

Event	Event Code	Event Parameters
L2CA_ConnectInd	0xFE	Event_ID, BD_ADDR, CID, PSM, Identifier

For more details and the event parameter, see [Part D / Section 7.1 on page 295](#).



### 4.1.2 Configuration Indication

Event	Event Code	Event Parameters
L2CA_ConfigInd	0xFE	Event_ID, CID, OutMTU, InFlow, FlushTO

For more details and the event parameter, see [Part D / Section 7.1 on page 295](#).

### 4.1.3 Disconnect Indication

Event	Event Code	Event Parameters
L2CA_DisconnectInd	0xFE	Event_ID, CID

For more details and the event parameter, see [Part D / Section 7.1 on page 295](#).

### 4.1.4 Violation Indication

Event	Event Code	Event Parameters
L2CA_QoSViolationInd	0xFE	Event_ID, BD_ADDR

For more details and the event parameter, see [Part D / Section 7.1 on page 295](#).

## 4.2 COMMANDS

The commands in this test interface follow the HCI syntax as defined in [Part H:1 / Section 4.4.1 on page 532](#). The return parameters are sent back using a Command Complete event, see [Part H:1 / Section 5.2.14 on page 723](#) and [Part H:1 / Section 4.4.1 on page 532](#).

To distinguish the commands used for L2CAP testing from HCI commands, a single subgroup is reserved for the L2CAP test interface. [Figure 4.1](#) shows how to code and decode the OpCode field in the HCI command packet used for testing.

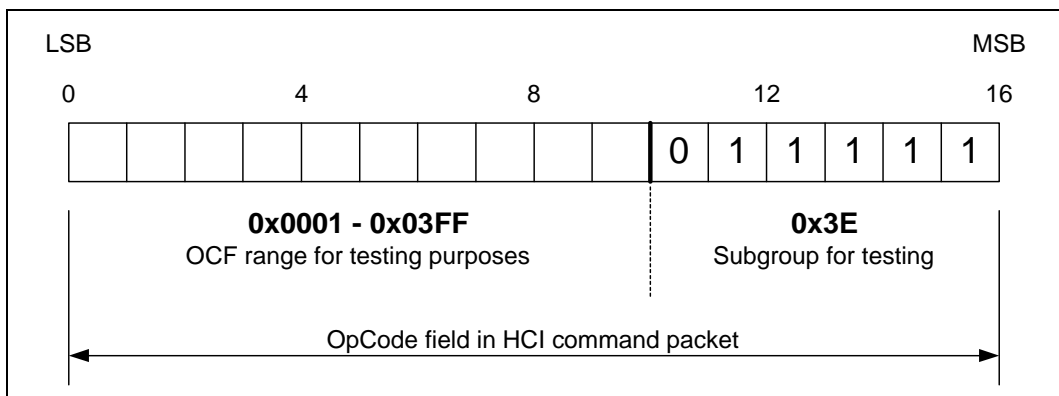


Figure 4.1: HCI Opcode field values used for testing

The assignment of the OpCode Command Field, OCF, for the L2CAP commands is summarized in [Table 4.2](#). It is also detailed following the table, in a format similar to the HCI specification, see [“Part H:1” on page 517](#).

OCF	L2CAP command
0x0000	Reserved
0x0001	L2CA_ConnectReq
0x0002	L2CA_DisconnectReq
0x0003	L2CA_ConfigReq
0x0004	L2CA_DisableCLT
0x0005	L2CA_EnableCLT
0x0006	L2CA_GroupCreate
0x0007	L2CA_GroupClose
0x0008	L2CA_GroupAddMember
0x0009	L2CA_GroupRemoveMember
0x000A	L2CA_GroupMemebership
0x000B	L2CA_WriteData
0x000C	L2CA_ReadData
0x000D	L2CA_Ping
0x000E	L2CA_GetInfo
0x000F	Reserved
0x0010	Reserved
0x0011	L2CA_ConnectRsp
0x0012	Reserved
0x0013	L2CA_ConfigRsp
0x0014 – 0x03FF	Reserved

Table 4.2: Assignment of Opcode Command Field values

#### 4.2.1 Connection Establishment

Command	OCF	Command Parameters	Return Parameters
L2CA_ConnectReq	0x0001	PSM, BD_ADDR	LCID, Result, Status

**Description:**

Requests the creation of a channel representing a logical connection to a physical address (for more details and input/output parameter definition see [Part D / Section 7.2 on page 296](#)).

**4.2.2 Connect Response**

Command	OCF	Command Parameters	Return Parameters
L2CA_ConnectRsp	0x0011	BD_ADDR, Identifier, LCID, Response, Status	Result

**Description:**

Issues a response to a connection request event indication (for more details and input/output parameters definition see [Part D / Section 7.3 on page 298](#))

**4.2.3 Connection Release (Disconnect)**

Command	OCF	Command Parameters	Return Parameters
L2CA_DisconnectReq	0x0002	CID	Result

**Description:**

Requests the disconnection of the channel. Input parameter is the *CID* representing the local channel endpoint (for more details and input/output parameter definition see [Part D / Section 7.6 on page 302](#)).

**4.2.4 Configuration**

Command	OCF	Command Parameters	Return Parameters
L2CA_ConfigReq	0x0003	CID, InMTU, OutFlow, FlushTO, LinkTO	Result, InMTU, OutFlow, FlushTO

**Description:**

Requests the initial or new configuration of a channel to a new set of channel parameters (for more details and input/output parameter definition see [Part D / Section 7.4 on page 299](#)).

### 4.2.5 Configure Response

Command	OCF	Command Parameters	Return Parameters
L2CA_ConfigRsp	0x0013	CID, OutMTU, InFlow	Result

#### Description:

Issues a response to a configuration request event indication (for more details and input/output parameter definition see [Part D / Section 7.5 on page 301](#)).

### 4.2.6 Disable Connectionless Traffic

Command	OCF	Command Parameters	Return Parameters
L2CA_DisableCLT	0x0004	N, List of PSMs	Result

#### Description:

For details and input/output parameter definition see [Part D / Section 7.16 on page 311](#).

### 4.2.7 Enable Connectionless Traffic

Command	OCF	Command Parameters	Return Parameters
L2CA_EnableCLT	0x0005	N, List of PSMs	Result

#### Description:

For details and input/output parameter definition see [Part D / Section 7.17 on page 312](#).

### 4.2.8 Group Create

Command	OCF	Command Parameters	Return Parameters
L2CA_GroupCreate	0x0006	PSM	CID

**Description:**

Request the creation of a channel identifier to represent a logical connection to multiple devices. On creation, the group is empty (for more details and input/output parameter definition see [Part D / Section 7.9 on page 305](#)).

**4.2.9 Group Close**

Command	OCF	Command Parameters	Return Parameters
L2CA_GroupClose	0x0007	CID	Result

**Description:**

This command closes down a Group (for more details and input/output parameter definition see [Part D / Section 7.10 on page 305](#)).

**4.2.10 Group Add Member**

Command	OCF	Command Parameters	Return Parameters
L2CA_GroupAddMember	0x0008	CID, BD_ADDR	Result

**Description:**

This command adds a member to the group (for more details and input/output parameter definition see [Part D / Section 7.11 on page 306](#)).

#### 4.2.11 Group Remove Member

Command	OCF	Command Parameters	Return Parameters
L2CA_GroupRemoveMember	0x0009	CID, BD_ADDR	Result

##### Description:

Remove a member from the group (for more details and input/output parameter definition see [Part D / Section 7.12 on page 307](#)).

#### 4.2.12 Group Membership

Command	OCF	Command Parameters	Return Parameters
L2CA_GroupMembership	0x000A	CID	Result, N, BD_ADDR_Lst

##### Description:

Get report of the members of the group (for more details and input/output parameter definition see [Part D / Section 7.13 on page 308](#)).

#### 4.2.13 Ping

Command	OCF	Command Parameters	Return Parameters
L2CA_Ping	0x000D	BD_ADDR, ECHO_DATA	Result, ECHO_DATA

##### Description:

For more details and input/output parameter definition see [Part D / Section 7.14 on page 309](#).

#### 4.2.14 Get Info

Command	OCF	Command Parameters	Return Parameters
L2CA_GetInfo	0x000E	BD_ADDR, InfoType	Result, InfoData

##### Description:

For more details and input/output parameter definition see [Part D / Section 7.15 on page 310](#).

### 4.3 DATA TRANSFER

Data transfer is modelled with read and write functions. Handling is like an L2CAP command.

To be able to send the amount of data that is needed to verify how the L2CAP implementation handles large chunks of data (i.e. segmentation and reassembly), and since it is not possible to use HCI Command packets as well as HCI Event packets to send the data, the use of HCI ACL Data packets will be used. The procedure/signalling used on the TCI-L2CAP interface to transfer data packets will be described with MSCs.

#### 4.3.1 Write

Command	OCF	Command Parameters	Return Parameters
L2CA_WriteData	0x000B	CID, Length, OutBuffer	Size, Result

##### Description:

Parameters are the CID, the length of the data and the data itself. The data will be sent in a HCI ACL data packets as described in [Figure 4.2](#). For more details and input/output parameter definition see [Part D / Section 7.7 on page 303](#).

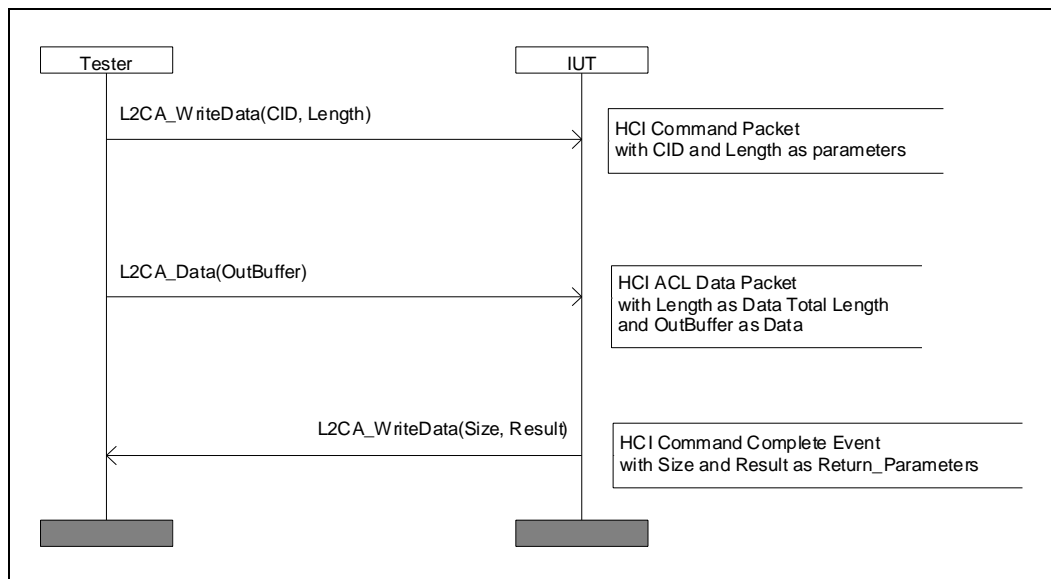


Figure 4.2: MSC showing how to write data to L2CAP

The L2CA\_Data primitive is used as an abstract name for the data transmitted between the Tester and the IUT. The Tester will use Connection Handle 0x0001 for the data and will set the Flags-field to 0x02. The Data Total Length field will contain the length of the OutBuffer.

After the IUT has received the data, it shall send back an HCI Command Complete Event (named L2CAP\_WriteData in the figure) with the N parameter set to 0x01, the OpCode parameter set to the corresponding OCF and subgroup (that is OCF = 0x000B and the subgroup = 0x3E). The Size and Result are sent in the Return\_Parameters field of the HCI ACL Data packet.

### 4.3.2 Read

Command	OCF	Command Parameters	Return Parameters
L2CA_ReadData	0x000C	CID, Length, InBuffer	Result

#### Description:

Input parameter is the CID, length and the InBuffer. Output parameters are the result. The data will be sent in HCI ACL data packets as described in [Figure 4.3](#). For more details and input/output parameter definition see [Part D / Section 7.8 on page 304](#)).



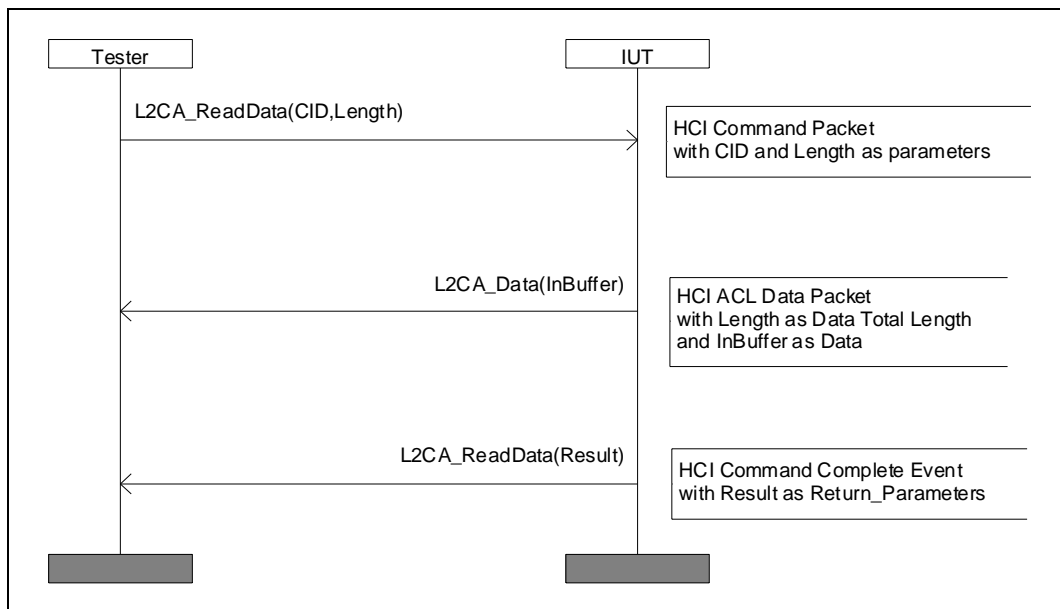


Figure 4.3: MSC showing how to read data from L2CAP

The L2CA\_Data primitive is used as an abstract name for the data transmitted between the Tester and the IUT. The IUT shall use Connection Handle 0x0001 for the data and shall set the Flags-field to 0x02. The Data Total Length field shall contain the length of the InBuffer.

After the IUT has sent the data, it shall send back an HCI Command Complete Event (named L2CAP\_ReadData in the figure) with the N parameter set to 0x01, the OpCode parameter set to the corresponding OCF and subgroup (that is OCF = 0x000C and the subgroup = 0x3E). The Size and Result are sent in the Return\_Parameters field of the HCI ACL Data packet.

## 5 ABBREVIATIONS

---

BB	BaseBand (see LC)
FW	Firmware
HCI	Host Controller Interface
HW	Hardware
IUT	Implementation Under Test
L2CA	Logical Link Control And Management part of the Bluetooth protocol stack
L2CAP	Logical Link Control And Management Protocol
LC	Link Controller (or baseband) part of the Bluetooth protocol stack
LCP	Link Control Protocol
LM	Link Manager part of the Bluetooth Protocol Stack
LMP	Link Management Protocol
MMI	Man-Machine Interface
OCF	Opcode Command Field
RF	Radio part of the Bluetooth protocol stack
SUT	System Under Test
SW	Software
TC	Test Control layer for the test interface
TCI	Test Control Interface
UART	Universal Asynchronous receiver Transmitter
USB	Universal Serial Bus
UT	Upper Tester

Appendix I

**REVISION HISTORY**



## Revision History

### Part A / Radio Specification

Rev	Date	Comments
0.8	Jan 21st 1999	<ul style="list-style-type: none"> <li>• System ambient temperature range</li> <li>• Power control step size</li> <li>• Transmit Spectrum mask</li> <li>• Frequency drift in a packet</li> <li>• New paragraph "Receiver susceptibility to frequency drift"</li> <li>• Adjacent interference levels</li> <li>• Measurement frequency for intermodulation test</li> <li>• Maximum useable level defined</li> <li>• New paragraph "Reference Interference-Signal Definition"</li> </ul>
0.9	April 30th 1999	<ul style="list-style-type: none"> <li>• Eye-diagram added</li> <li>• Out-of band blocking included</li> <li>• RSSI included</li> </ul>
1.0 draft	July 5th 1999	<ul style="list-style-type: none"> <li>• Appendix A and B added, (extreme conditions definition and test conditions)</li> <li>• Tolerances of the Eye-diagram added</li> </ul>
1.0B	Dec 1st 1999	<ul style="list-style-type: none"> <li>• Revised from a linguistic point of view.</li> <li>• Errata items previously published on the web has been included. These corrections and clarifications are marked with correction bars.</li> </ul>

### Part B / Baseband Specification

Rev	Date	Comments
0.7	Oct 19th 1998	<ul style="list-style-type: none"> <li>• Minor changes in chapter 1-9.</li> <li>• "Link Monitoring" chapter removed (chapter 12 in v0.6).</li> <li>• Most parts of chapter 10 - 14 re-written.</li> </ul>
0.8	Jan 21st 1999	<ul style="list-style-type: none"> <li>• Some editorial changes in chapter 1-13.</li> <li>• Chapter 14 revised and partly re-written.</li> </ul>
1.0 draft	July 5th 1999	<ul style="list-style-type: none"> <li>• Please see revision bars in document.</li> </ul>
1.0B	Dec 1st 1999	<ul style="list-style-type: none"> <li>• Revised from a linguistic point of view.</li> <li>• Errata items previously published on the web has been included. These corrections and clarifications are marked with correction bars.</li> </ul>

**Part C / Link Manager Protocol**

Rev	Date	Comments
0.7	Oct 19th 1998	<ul style="list-style-type: none"> <li>• EEE address ⇒ BD_ADDR (or BD address)</li> <li>• M_ADDR ⇒ AM_ADDR</li> <li>• response nbr ⇒ PM_ADDR</li> <li>• Added section 3.1.4</li> <li>• Added section 3.4 "Change the current link key"</li> <li>• Changed section 3.5 "Encryption". Added negotiation for encryption mode and encryption key size.</li> <li>• 3.14 "Sniff mode". Removed author's note in italic. It is now decided how to determine the first sniff slot.</li> <li>• 3.15 "Park mode". This section is totally changed.</li> <li>• 3.18 "Quality of Service". Added a parameter N<sub>BC</sub> in one of the LMP messages.</li> <li>• 3.19 "SCO links". Removed author's note in italic. It is now decided how to determine the first SCO slot.</li> <li>• Added section 4 "Connection establishment"</li> <li>• 5.1 "Description of parameters" The length, type and unit of many parameters changed. Especially, all time-parameters are now measured in slots.</li> <li>• Added section 6 "Test modes"</li> </ul>
0.8	Jan 21st 1999	<ul style="list-style-type: none"> <li>• general: Changed "PDU nbr" to OpCode throughout the document. Two errors found in 0.80 were corrected. Table 5.1: It says that the length of LMP_SCO_link_req is 7. This should be 8. Table 5.2: It says that the length of hold_time is 1. This should be 2.</li> <li>• 2. Added transactionID in bit0 of the byte in the payload where we have the OpCode.</li> <li>• 3.1 Removed LMP_accepted/not_accepted after receiving LMP_sres (3.1).</li> <li>• 3.1.2 Removed the last sentence "It the claimant is Ö initiate pairing, see 3.2.1"</li> <li>• 3.2 Major change since the initiator of the pairing procedure does not have to be the master.</li> <li>• 3.2.3 Minor clarification.</li> <li>• 3.3 Clarified that if the unit key is changed, the units must go through the initialisation procedure in order to change the link key.</li> <li>• 3.5.3 Modified the calculation of Kc according to changes in chapter 14 of the Baseband Specification.</li> <li>• 3.10 Switch can now be done anytime during the connection and it can be initiated by both master and slave.</li> <li>• 3.15 Clarified that the broadcast scan window is only valid for the current beacon.</li> <li>• 3.19.5 Added description that the PDU includes a reason parameter with information about why the SCO link is removed.</li> <li>• 3.21 This section was removed. Instead error handling is described in a separate chapter (CH. 7)</li> <li>• 4. Added LMP_host_connection_req and removed the LMP_accepted or LMP_not_accepted that the slave sends after the paging procedure.</li> <li>• 5.1 Added reason "invalid parameters"</li> <li>• 6. Added sequences. The slave can return LMP_not_accepted if not allowed to enter test or if not in test mode. Changed OpCodes for the two test mode PDU</li> </ul>

0.9	April 30th 1999	<ul style="list-style-type: none"> <li>• Name request procedure: Coding of the characters was changed from ASCII to UTF-8. The length of the name parameter was increased from 16 bytes to 248 bytes.</li> <li>• The detach reason and the reason parameter were merged into one parameter (reason). The coding of this parameter was changed and is now the same as in HCI.</li> <li>• Sniff procedure: Sniff interval and sniff offset parameters were changed from one byte to two bytes. Two parameters, sniff offset and sniff timeout, were also added.</li> <li>• The PDU LMP_slot_offset was added.</li> <li>• The PDU LMP_page_mode_req was added.</li> <li>• The PDU LMP_page_scan_mode_req was added.</li> <li>• Caption text was added to all figures, tables and sequences where such text was missing.</li> <li>• A maximum reply time was defined for response messages in LMP procedures.</li> <li>• The pairing procedure was modified to allow a claimant with fixed PIN to request to become verifier.</li> <li>• Changed some parameters in LMP_test_control to match the latest revision of "Bluetooth test modes".</li> <li>• The PDU LMP_supervision_timeout was added.</li> <li>• The parameter user data rate was removed from the PDU LMP_SCO_link request.</li> <li>• The length of the parameters Compld and SubVersNr included in the PDU LMP_version_req/res was increased to two bytes.</li> <li>• Some editorial changes and clarifications were made here and there.</li> </ul>
1.0 draft	July 5th 1999	<ul style="list-style-type: none"> <li>• Added figure 3 explaining sequence diagram conventions (Section 3).</li> <li>• Modified procedure to negotiate encryption key size to match changes in the Baseband specification (Section 3.6.2).</li> <li>• Added further description about the parameters in the version request (Section 3.10).</li> <li>• Clarified name request procedure and changed parameter name from "name" to "name fragment" (Section 3.13).</li> <li>• Added description that test mode can also be ended by sending LMP_test_control (Section 6.1).</li> <li>• Some editorial comments.</li> <li>• Decoupled RSSI and power control in the features parameter. Changed parameter "TBD" to "for future use".</li> <li>• Rewrote Section 3.20.</li> </ul>
1.0a	July 26th 1999	<ul style="list-style-type: none"> <li>• Correction of Table 5.3: Byte 1/Bit 1 "and power control" deleted Byte 2/Bit 2 "power control" added</li> </ul>
1.0B	Dec 1st 1999	<ul style="list-style-type: none"> <li>• Revised from a linguistic point of view.</li> <li>• Errata items previously published on the web has been included. These corrections and clarifications are marked with correction bars.</li> </ul>

**Part D  
Logical Link Control and Adaptation Protocol Specification**

Rev	Date	Comments
0.8	Jan 21st 1999	<ul style="list-style-type: none"> <li>Changes include the addition of an operational overview section, increasing CID lengths to 16 bits and removing the source CID from normal data flow. Moved all connection, termination, and configuration commands to a separate "CID". Changed the name of the "Connection ID" to the "Channel ID".</li> <li>Added the state machine</li> <li>Re-defined the timers to more clearly indicate their responsibilities. New Flags field in Configuration Request packet defined.</li> <li>Several minor editorial corrections.</li> </ul>
0.9	April 30th 1999	<ul style="list-style-type: none"> <li></li> </ul>
1.0 draft	July 5th 1999	<ul style="list-style-type: none"> <li>Replaced all references to "termination" with "disconnection". KTX timer removed - link loss results in channel loss. OSI naming terms applied to state machine. State machine table revised to remove superfluous states. Added some message sequence charts for clarification. Service interface defined in more detail and no longer specified as a guideline - this interface still needs work to complete.</li> <li>Service interface revised corrections to state machine added, and security key management removed from service interface.</li> <li>Editorial cleanup of various sections with the majority of the edits being in the state machine and service interface.</li> <li>Added L2CA_Response service primitives. Clean up of state machined, closed outstanding issues dealing with MTU,</li> <li>Implements major editorial changes to the configuration process (section 6.3), replacing SCID and DCID with RCID and LCID, removal of flush signalling PDU, and editorial comments from reviewers.</li> </ul>
1.0B	Dec 1st 1999	<ul style="list-style-type: none"> <li>Revised from a linguistic point of view.</li> <li>Errata items previously published on the web has been included. These corrections and clarifications are marked with correction bars.</li> </ul>

### Part E / Service Discovery Protocol (SDP)

Rev	Date	Comments
1.0 draft	July 5th 1999	<ul style="list-style-type: none"> <li>Removed the Icon10 attribute and the Icon data element type. Re-assigned the IconURL attribute ID to be 0x000C. Updated Example 3. Removed "notes to reviewers". Removed the list of TBD items, since it is empty.</li> <li>A few corrections to example 3. Modified the BluetoothProfileList attribute to become the BluetoothProfileDescriptorList attribute, which contains a version number for each profile as well as the profile's UUID</li> <li>Added a description of the protocol version number included in the BluetoothProfileDescriptorList attribute. No change to the 'phonebook' and 'calendar' data store indicators as the values in example 3 already match those of the synchronization profile. Replaced the browse hierarchy diagram in 2.8.1 because the previous version triggered a bug in MS-Word.</li> </ul>
1.0B	Dec 1st 1999	<ul style="list-style-type: none"> <li>Revised from a linguistic point of view.</li> <li>Errata items previously published on the web has been included. These corrections and clarifications are marked with correction bars.</li> </ul>

### Part F:1 / RFCOMM with TS 0710

Rev	Date	Comments
0.8	Jan 21st 1999	<ul style="list-style-type: none"> <li>Table 2.1 corrected.</li> <li>Revised section 2.3.</li> <li>Revised chapter 3.</li> <li>Revised section 5.2, 5.3.</li> <li>Clarifications added to Figure 5.1.</li> <li>Changed title and contents of section 5.4 (old section 5.4 not needed any more).</li> <li>Text removed from section 5.5 and 5.6.</li> <li>Added text on Service Discovery in section 7.3.</li> </ul>
0.9	April 30th 1999	<ul style="list-style-type: none"> <li>Lots of editorial changes and clarifications.</li> <li>Added statement on baud rate settings vs. RFCOMM throughput in chapter 2.</li> <li>Removed section 7.2 on flow control (information duplicated in TS 07.10).</li> <li>Added DLC parameter negotiation command support (section 4.3, 5.7)</li> <li>Added clarifications on session closure handling in section 5.2.</li> <li>Major update regarding SDP; section 7.2.</li> <li>Added section 7.3 on lower layer dependencies.</li> </ul>
1.0 draft	July 5th 1999	<ul style="list-style-type: none"> <li>Editorial changes and clarifications in chapters 5 and 7.</li> <li>Removed sections implying possibility to have more than one RFCOMM entity in a device.</li> </ul>
1.0B	Dec 1st 1999	<ul style="list-style-type: none"> <li>Revised from a linguistic point of view.</li> <li>Errata items previously published on the web has been included. These corrections and clarifications are marked with correction bars.</li> </ul>



**Part F:2 / IrDA Interoperability**

Rev	Date	Comments
0.9	April 30th 1999	<ul style="list-style-type: none"> <li>Many linguistic changes made, Bluetooth OBEX related specifications chapter added, Separate Application profile chapters gathered into one chapter, OBEX operation requirements moved into the profile specifications, Refers to COMM-ports removed.</li> <li>Service Records moved into the profile specifications, and added clarification for the use of connection-oriented OBEX</li> </ul>
1.0 draft	July 5th 1999	<ul style="list-style-type: none"> <li>Changed reference to new version of IrOBEX specification, corrected wrong TCP port number, reference list updated</li> <li>Updated Chapter 3.2</li> </ul>
1.0B	Dec 1st 1999	<ul style="list-style-type: none"> <li>Revised from a linguistic point of view.</li> </ul>

**Part F:3 / Telephony Control Specification (TCS)**

Rev	Date	Comments
1.0 draft	July 5th 1999	<ul style="list-style-type: none"> <li>Version for 1.0 Release, only editorial changes since 0.9</li> </ul>
1.0B	Dec 1st 1999	<ul style="list-style-type: none"> <li>Revised from a linguistic point of view.</li> <li>Errata items previously published on the web has been included. These corrections and clarifications are marked with correction bars. Figure A and Figure B in Appendix are replaced.</li> </ul>

**Part F:4  
Interoperability Requirements for Bluetooth as a WAP Bearer**

Rev	Date	Comments
1.0B	Dec 1st 1999	<ul style="list-style-type: none"> <li>Revised from a linguistic point of view.</li> </ul>

## Part H:1 Bluetooth Host Controller Interface Functional Specification

Rev	Date	Comments
0.8	Jan 21st 1999	<ul style="list-style-type: none"> <li>Many editorial corrections</li> </ul>
0.9	April 30th 1999	<ul style="list-style-type: none"> <li></li> </ul>
1.0 draft	July 5th 1999	<ul style="list-style-type: none"> <li>Flow control for data changed.</li> <li>Format of HCI Data Packet header changed.</li> <li>Command Pending Event replaced by Command Status Event and functionality regarding which event should be returned when a command involving LMP actions can not start to execute due to an error changed.</li> <li>Some commands and events have been renamed.</li> <li>Changed parameters, descriptions and functionality for many commands and events.</li> <li>Many new commands have been added.</li> <li>HCI_Store_Clock_Offset command has been removed. This information is now provided at connection set up or name request as a parameter together with other new baseband related parameters.</li> <li>Some new events have been added.</li> <li>Descriptions of error codes added.</li> </ul>
1.0B	Dec 1st 1999	<ul style="list-style-type: none"> <li>Revised from a linguistic point of view.</li> <li>Errata items previously published on the web has been included. These corrections and clarifications are marked with correction bars.</li> </ul>

## Part H:2 / HCI USB Transport Layer

Rev	Date	Comments
0.8	Jan 21st 1999	<ul style="list-style-type: none"> <li>Added info about 64 byte isochronous endpoints.</li> <li>Added a section detailing one of the mail messages - that discussed how SCO traffic would travel across the interface</li> </ul>
0.9	April 30th 1999	<ul style="list-style-type: none"> <li>Updated revision # &amp; HCI Header sizes</li> <li></li> </ul>
1.0 draft	July 5th 1999	<ul style="list-style-type: none"> <li>Updated endpoint information, interface information relating to isoch, and Device Firmware Upgrade Requirements</li> <li>Tidied up table describing interface/endpoint/alternate setting information</li> </ul>
1.0B	Dec 1st 1999	<ul style="list-style-type: none"> <li>Revised from a linguistic point of view.</li> <li>Errata items previously published on the web has been included. These corrections and clarifications are marked with correction bars.</li> </ul>

**Part H:3 / HCI RS232 Transport Layer**

Rev	Date	Comments
0.9	April 30th 1999	<ul style="list-style-type: none"> <li>Assumption about error free link has been removed.</li> <li>A simple error recovery, negotiation scheme and a resynchronisation/error indication scheme using RTS/CTS were added as proposed by IBM.</li> <li>New document outline.</li> <li>Added synchronisation using delimiters with COBS.</li> <li>Added a support for CCITT-CRC.</li> <li>Available Baud Rate Changed.</li> <li>Only 8 bit data length is valid.</li> <li>HCI Event packet type is added.</li> <li>Available error type has been modified.</li> <li>Editorial changes.</li> </ul>
1.0 draft	July 5th 1999	<ul style="list-style-type: none"> <li>Assumption about error free link has been removed.</li> <li>A simple error recovery, negotiation scheme and a resynchronisation/error indication scheme using RTS/CTS were added .</li> <li>New document outline.</li> <li>Added synchronisation using delimiters with COBS.</li> <li>Added a support for CCITT-CRC</li> <li>Available Baud Rate Changed.</li> <li>Only 8 bit data length is valid.</li> <li>HCI Event packet type is added.</li> <li>Available error type has been modified.</li> <li>Editorial changes.</li> </ul>
1.0B	Dec 1st 1999	<ul style="list-style-type: none"> <li>Revised from a linguistic point of view.</li> </ul>

**Part H:4  
HCI UART Transport Layer**

Rev	Date	Comments
0.9	April 30th 1999	<ul style="list-style-type: none"> <li>was not a part of 0.8</li> <li>First revision. Based on HCI RS232 Transport Layer 0.80.</li> <li>Added Default Settings, HW flow control and Error Recovery.</li> <li>Improved description of RTS/CTS</li> <li>Changed HCI packet indicator for HCI event packet</li> </ul>
1.0 draft	July 5th 1999	<ul style="list-style-type: none"> <li>No changes since 0.9</li> </ul>
1.0B	Dec 1st 1999	<ul style="list-style-type: none"> <li>Revised from a linguistic point of view.</li> </ul>

**Part I:1 / Test Mode**

Rev	Date	Comments
0.9	April 30th 1999	<ul style="list-style-type: none"> <li>• Transmitter Test: added pseudorandom bit sequence</li> <li>• Corresponding changes for LMP messages</li> <li>• Editorial Changes: Explanatory paragraph and figure added to the test packet format of the transmitter test</li> <li>• Proposal of a loopback alternative that has less demanding time constraints.</li> <li>• Reduced Hopping Sequence added</li> <li>• Modification/Clearification of TX packet format</li> <li>• Editorial changes</li> <li>• Statement in introduction that test mode may be used also for regulatory approval.</li> <li>• Description of delayed loopback added</li> <li>• proposed timing for reduced hopping scheme from Ericsson</li> <li>• timing for reduced hopping scheme refined</li> <li>• Loopback: transmission of NULL packet on failed HEC is not mandatory.</li> <li>• Added AUX1 packet explicitly to Figure 3</li> <li>• Included AUX1 to Table 3</li> <li>• Mentioned delayed loopback in first paragraph of Section 2.2</li> <li>• Features request command is allowed, while in test mode.</li> <li>• Added codes for LMP packets according to LMP V0.9 review document</li> <li>• Changed maximum packet length in Table 3</li> <li>• FH timing: clarify that clock of tester is used</li> <li>• editorial changes</li> <li>• Clearifications about Whitening for both TX and Loopback mode</li> <li>• Clearification that RX and TX in the control command refer to the DUT.</li> <li>• Clearification in Table 3: For ACL packets a maximum length is given, for HV3 the exact length is given.</li> <li>• Editorial Changes</li> </ul>
1.0 draft	July 5th 1999	<ul style="list-style-type: none"> <li>• Description over use of whitening in transmitter test mode.</li> <li>• Added an exit command in the test mode control.</li> <li>• Editorial changes to whitening in transmitter test.</li> </ul>
1.0B	Dec 1st 1999	<ul style="list-style-type: none"> <li>• Revised from a linguistic point of view.</li> <li>• Errata items previously published on the web has been included. These corrections and clarifications are marked with correction bars.</li> </ul>

**Part I:2 Bluetooth Compliance Requirements**

Rev	Date	Comments
1.0A	July 26th 1999	<ul style="list-style-type: none"> <li>• The text in Section 6.6.1 “Definition of Bluetooth components” first paragraph has been revised.</li> </ul>
1.0B	Dec 1st 1999	<ul style="list-style-type: none"> <li>• Revised from a linguistic point of view.</li> </ul>

**Part I:3 Test Control Interface**

Rev	Date	Comments
1.0B	Dec 1st 1999	<ul style="list-style-type: none"> <li>Revised from a linguistic point of view.</li> </ul>

**Appendix IV / Sample Data**

Rev	Date	Comments
1.0B	Dec 1st 1999	<ul style="list-style-type: none"> <li>Revised from a linguistic point of view.</li> </ul>

**Appendix V / Bluetooth Audio**

Rev	Date	Comments
1.0B	Dec 1st 1999	<ul style="list-style-type: none"> <li>Revised from a linguistic point of view.</li> </ul>

**Appendix VI / Baseband Timers**

Rev	Date	Comments
1.0B	Dec 1st 1999	<ul style="list-style-type: none"> <li>Revised from a linguistic point of view.</li> <li>Errata items previously published on the web has been included. These corrections and clarifications are marked with correction bars.</li> </ul>

**Appendix VII /Optional Paging Scheme**

Rev	Date	Comments
1.0B	Dec 1st 1999	<ul style="list-style-type: none"> <li>Revised from a linguistic point of view.</li> </ul>

**Appendix VIII / Bluetooth Assigned Numbers**

Rev	Date	Comments
1.0 draft	July 5th 1999	<ul style="list-style-type: none"> <li>Renamed some of the service class mnemonics. Added a bit to indicate if a node is in Limited Discoverable Mode (useful in a reply to GIAC).</li> <li>Updated after review. Added the IAC LAP codes.</li> <li>Minor editorial and clarifications, including section "Universally Unique Identifier (UUID) short forms".</li> </ul>
1.0B	Dec 1st 1999	<ul style="list-style-type: none"> <li>Revised from a linguistic point of view.</li> <li>Errata items previously published on the web has been included. These corrections and clarifications are marked with correction bars.</li> </ul>

## Appendix IX / Message Sequence Charts

Rev	Date	Comments
1.0 draft	July 5th 1999	<ul style="list-style-type: none"> <li>• Command and Parameter updated; Chapter 7 added; Local- and Remote Hold-Mode removed; Chapter 8 clarified; No HCI-Num-Completed-Packets-Event in ACL- and SCO-Connection creation; LMP-feature-req/-res added in ACL-Connection-Setup; LMP-feature-req/-res removed in SCO-Connection-Setup</li> <li>• MSC "Onetime-Inquiry" and "Periodic-Inquiry" clarified with additional ID-Packet;</li> <li>• MSC "Local Loopback-Mode" exited with HCI_Write_Loopback_Mode instead with HCI_Reset;</li> <li>• MSC "Remote Loopback-Mode" exited with HCI_Write_Loopback_Mode instead with HCI_Reset;</li> <li>• MSC "Switch Role" updated with LMP_clkoffset_req/-res and LMP_slot_offset;</li> <li>• Editorial changes;</li> <li>• MSC "Switch Role": subscenario 2 added; Modified as Toru's proposal;</li> <li>• MSC "ACL-Connection Request": slot-offset and clock-offset exchange subscenario3;</li> <li>• Figure 4: no loopback to Page/Page-Res in case of Role-Switch;</li> <li>• LMP_features_req/-res: added in MSC "Pairing" and MSC "Authentication", removed in MSC "Encryption and Setup Complete";</li> <li>• MSC "Local Loopback Mode": two additional SCO-Connections added;</li> </ul>
1.0B	Dec 1st 1999	<ul style="list-style-type: none"> <li>• Revised from a linguistic point of view.</li> <li>• Errata items previously published on the web has been included. These corrections and clarifications are marked with correction bars. The following figures are modified: 3.2, 3.3, 4.3 and 4.9</li> </ul>

Appendix II

**CONTRIBUTORS**







## Contributors

### Part A / Radio Specification

Sven Mattisson	Ericsson Mobile Communications AB
Lars Nord (owner)	Ericsson Mobile Communications AB
Anders Svensson	Ericsson Mobile Communications AB
Paul Burgess	Nokia Mobile Phones
Olaf Joeressen	Nokia Mobile Phones
Thomas Muller	Nokia Mobile Phones
Troy Beukema	IBM Corporation
Brian Gaucher	IBM Corporation
Allen Huotari	Toshiba Corporation

### Part B / Baseband Specification

Ayse Findikli	Ericsson Mobile Communications AB
Jaap Haartsen (owner)	Ericsson Mobile Communications AB
Joakim Persson	Ericsson Mobile Communications AB
Chatschik Bisdikian	IBM Corp.
Kris Fleming	Intel Corp.
Olaf Joeressen	Nokia Mobile Phones
Thomas Muller	Nokia Mobile Phones

### Part C / Link Manager Protocol

Johannes Elg	Ericsson Mobile Communications AB
Jaap Haartsen	Ericsson Mobile Communications AB
Tobias Melin (owner)	Ericsson Mobile Communications AB
Chatschik Bisdikian	IBM Corporation
Kris Fleming	Intel Corporation
Thomas Busse	Nokia Mobile Phones
Olaf Joeressen	Nokia Mobile Phones
Thomas Müller	Nokia Mobile Phones
Dong Nguyen	Nokia Mobile Phones

## Part D

### Logical Link Control and Adaptation Protocol Specification

Burgess, Jon	3COM
Moran, Paul	3COM
Elg, Johannes	Ericsson Mobile Communications AB
Haartsen, Jaap	Ericsson Mobile Communications AB
Nilsson, Ingemar	Ericsson Mobile Communications AB
Runesson, Stefan	Ericsson Mobile Communications AB
Slot, Gerrit	Ericsson Mobile Communications AB
Sörensen, Johan	Ericsson Mobile Communications AB
Svennarp, Goran	Ericsson Mobile Communications AB
Aihara, Tohru	IBM Corporation
Bisdikian, Chatschik	IBM Corporation
Fleming, Kris	Intel Corporation
Gadamsetty, Uma	Intel Corporation
Hunter, Robert	Intel Corporation
Inouye, Jon (owner)	Intel Corporation
Lo, Steve C.	Intel Corporation
Zhu, Chunrong	Intel Corporation
Busse, Thomas	Nokia Mobile Phones
Makinen, Rauno	Nokia Mobile Phones
Müller, Thomas	Nokia Mobile Phones
Nykänen, Petri	Nokia Mobile Phones
Ollikainen, Peter	Nokia Mobile Phones
Kinoshita, Katsuhiko	Toshiba Corporation

## Part E

### Service Discovery Protocol (SDP)

Plasson, Ned	3Com
Avery, John	Convergence
Kronz, Jason	Convergence
Elg, Johannes	Ericsson
Bisdikian, Chatschik	IBM
Kermani, Parviz	IBM
Miller, Brent	IBM
Osterman, Dick	IBM
Inouye, Jon	Intel
Kambhatla, Srikanth	Intel
Eaglstun, Jay	Motorola
Farnsworth, Dale (owner)	Motorola
Rosso, Jean-Michel	Motorola
Grönholm, Jan	Nokia
Müller, Thomas	Nokia
Iwamura, Kazuaki	Toshiba
Pascoe, Bob	Xtraworx

## Part F:1

### RFCOMM with TS 07.10

Ingemar Nilsson	Ericsson Mobile Communications AB
Patrik Olsson	Ericsson Mobile Communications AB
Gerrit Slot	Ericsson Mobile Communications AB
Johan Sörensen (owner)	Ericsson Mobile Communications AB
Srikanth Kambhatla	Intel Corporation
Michael Camp	Nokia Mobile Phones
Riku Mettälä	Nokia Mobile Phones

## Part F:2 IrDA Interoperability

David Kammer	3Com
Christian Andersson	Ericsson Mobile Communications AB
Johannes Elg	Ericsson Mobile Communications AB
Patrik Olsson	Ericsson Mobile Communications AB
Johan Sörensen	Ericsson Mobile Communications AB
Dave Suvak	Extended Systems
Chatschik Bisdikian	IBM
Brent Miller	IBM
Apratim Purakayastha	IBM
Aron Walker	IBM
Jon Inouye	Intel Corporation
Michael Camp	Nokia Mobile Phones
Riku Mettälä (owner)	Nokia Mobile Phones
Peter Ollikainen	Nokia Mobile Phones
James Scales	Nokia Mobile Phones
Steve Rybicki	Puma Technology
John Stossel	Puma Technology

## Part F:3 Telephony Control Protocol Specification

Richard Shaw	3COM
Ken Morley	3COM
Olof Dellien	Ericsson Mobile Communications AB
Gert-jan van Lieshout	Ericsson Mobile Communications AB
Erik Slotboom (owner)	Ericsson Mobile Communications AB
Shridar Rajagopal	Intel Corporation
Ramu Ramakeshavan	Intel Corporation
Brian Redding	Motorola
Thomas Müller	Nokia Mobile Phones
Christian Zechlin	Nokia Mobile Phones
Jun'ichi Yoshizawa	Toshiba Corporation

## Part F:4 Interoperability Requirements for Bluetooth as a WAP Bearer

Johannes Elg	Ericsson Mobile Communications AB
Robert Hed	Ericsson Mobile Communications AB
Jon Inouye	Intel Corporation
Michael T. Camp (owner)	Nokia Mobile Phones
Riku Mettala	Nokia Mobile Phones
Kevin Wagner	Nokia Mobile Phones

## Part H:1 Bluetooth Host Controller Interface Functional Specification

Todor Cooklev	3Com Corporation
Johannes Elg	Ericsson Mobile Communications AB
Christian Johansson	Ericsson Mobile Communications AB
Patrik Lundin	Ericsson Mobile Communications AB
Tobias Melin	Ericsson Mobile Communications AB
Toru Aihara	IBM Corporation
Chatschik Bisdikian	IBM Corporation
Nathan Lee	IBM Corporation
Akihiko Mizutani	IBM Corporation
Les Cline	Intel Corporation
Bailey Cross	Intel Corporation
Kris Fleming (owner)	Intel Corporation
Robert Hunter	Intel Corporation
Jon Inouye	Intel Corporation
Srikanth Kambhatla	Intel Corporation
Steve Lo	Intel Corporation
Vijay Suthar	Intel Corporation
Greg Muchnik	Motorola
Thomas Busse	Nokia Mobile Phones
Thomas Muller	Nokia Mobile Phones
Dong Nguyen	Nokia Mobile Phones
Christian Zechlin	Nokia Mobile Phones
Masahiro Tada	Toshiba Corporation

### Part H:2 / HCI USB Transport Layer

Patrik Lundin	Ericsson Mobile Communications AB
Nathan Lee	IBM Corporation
Les Cline	Intel Corporation
Brad Hosler	Intel Corporation
John Howard	Intel Corporation
Robert Hunter (owner)	Intel Corporation
Srikanth Kambhatla	Intel Corporation
Kosta Koeman	Intel Corporation
John McGrath	Intel Corporation
Uwe Gondrum	Nokia Mobile Phone

### Part H:3 / HCI RS232 Transport Layer

Johannes Elg	Ericsson Mobile Communications AB
Sven Jerlhagen	Ericsson Mobile Communications AB
Patrik Lundin	Ericsson Mobile Communications AB
Chatschik Bisdikian	IBM Corporation
Edgar Kerstan	IBM Corporation
Nathan Lee (owner)	IBM Corporation
Robert Hunter	Intel Corporation
Patrick Kane	Motorola
Uwe Gondrum	Nokia Mobile Phone
Masahiro Tada	Toshiba Corporation

### Part H:4 / HCI UART Transport Layer

Johannes Elg	Ericsson Mobile Communications AB
Sven Jerlhagen	Ericsson Mobile Communications AB
Patrik Lundin (owner)	Ericsson Mobile Communications AB
Lars Novak	Ericsson Mobile Communications AB
Edgar Kerstan	IBM Corporation
Nathan Lee	IBM Corporation
Robert Hunter	Intel Corporation
Patrick Kane	Motorola
Uwe Gondrum	Nokia Mobile Phone
Masahiro Tada	Toshiba Corporation

**Part I:1 / Bluetooth Test Mode**

Ayse Findikli	Ericsson Mobile Communications AB
Mårten Mattsson	Ericsson Mobile Communications AB
Tobias Melin	Ericsson Mobile Communications AB
Lars Nord	Ericsson Mobile Communications AB
Fredrik Töörn	Ericsson Mobile Communications AB
Jeffrey Schiffer	Intel Corporation
Daniel Bencak	Nokia Mobile Phones
Arno Kefenbaum	Nokia Mobile Phones
Thomas Müller (owner)	Nokia Mobile Phones
Roland Schmale	Nokia Mobile Phones

**Part I:2 / Bluetooth Compliance Requirements**

Lawrence Jones	ComBit, Inc.
Magnus Hansson (owner)	Ericsson Mobile Communications AB
Göran Svennarp	Ericsson Mobile Communications AB
Gary Robinson	IBM Corporation
John Webb	Intel Corporation
Petri Morko	Nokia Mobile Phones
Warren Allen	Toshiba Corporation

**Part I:3 / Bluetooth Test Control Interface**

Mårten Mattsson (owner)	Ericsson Mobile Communications AB
Dan Sönnnerstam	Ericsson Mobile Communications AB
Thomas Müller	Nokia Mobile Phones

**Appendix IV / Encryption Sample Data**

Joakim Persson (owner)	Ericsson Mobile Communications AB
Thomas Müller	Nokia Mobile Phones
Thomas Sander	Nokia Mobile Phones

**Appendix V / Bluetooth Audio**

Joakim Persson (owner)	Ericsson Mobile Communication AB
Fisseha Mekuria	Ericsson Mobile Communication AB
Magnus Hansson	Ericsson Mobile Communication AB
Mats Omrin	Ericsson Mobile Communication AB

### Appendix VI / Baseband Timers

Ayse Findikli	Ericsson Mobile Communications AB
Jaap Haartsen (owner)	Ericsson Mobile Communications AB
Joakim Persson	Ericsson Mobile Communications AB

### Appendix VII / Optional Paging Scheme

Ayse Findikli	Ericsson Mobile Communications AB
Jaap Haartsen (owner)	Ericsson Mobile Communications AB
Joakim Persson	Ericsson Mobile Communications AB
Olaf Joeressen	Nokia Mobile Phones
Thomas Muller	Nokia Mobile Phones
Markus Schetelig	Nokia Mobile Phones

### Appendix VIII / Bluetooth Assigned Numbers

Johannes Elg (owner)	Ericsson Mobile Communications AB
Numerous SIG members contributed directly or indirectly to this revision	

### Appendix IX / Message Sequence Charts between

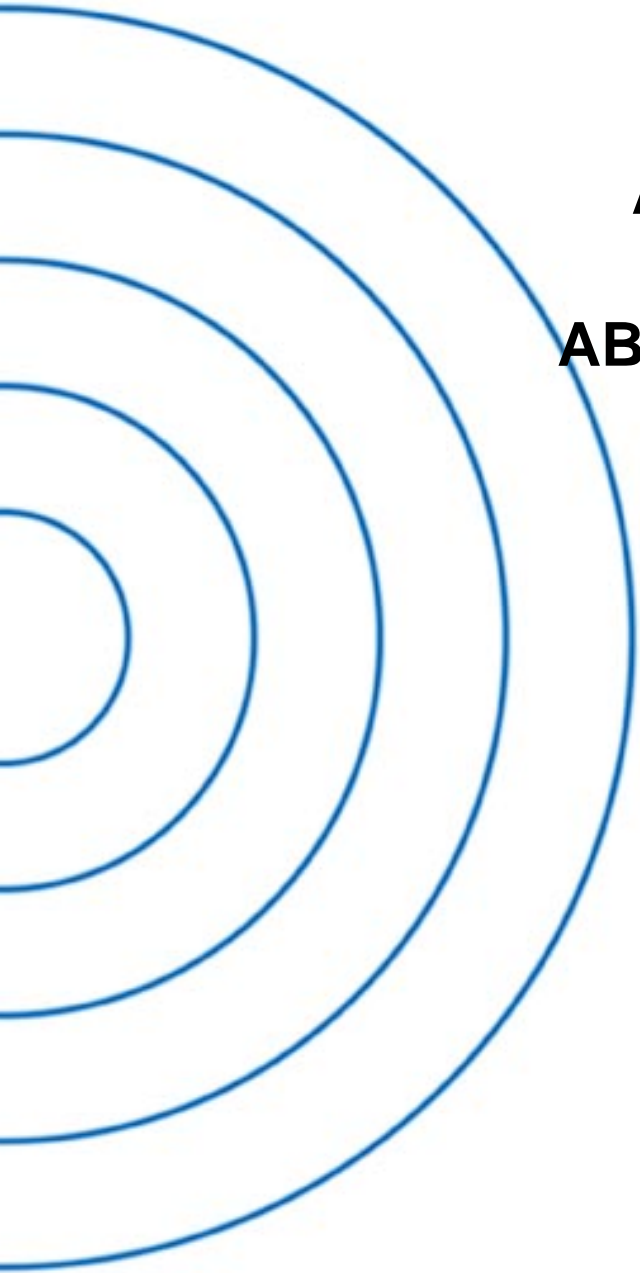
Todor Cooklev	3Com Corporation
Christian Johansson	Ericsson Mobile Communications AB
Tobias Melin	Ericsson Mobile Communications AB
Toru Aihara	IBM Corporation
Chatschik Bisdikian	IBM Corporation
Nathan Lee	IBM Corporation
Kris Fleming	Intel Cop.
Greg Muchnik	Motorola
Thomas Busse	Nokia Mobile Phones
Dong Nguyen (owner)	Nokia Mobile Phones

The Bluetooth Specification was compiled and edited by Dan Sonnerstam, [Pyramid Communication AB](#)



Appendix III

**ACRONYMS  
AND  
ABBREVIATIONS**





## List of Acronyms and Abbreviations

Acronym or abbreviation	Writing out in full	Which means
ACK	Acknowledge	
ACL link	Asynchronous Connection-Less link	Provides a packet-switched connection.(Master to any slave)
ACO	Authenticated Ciphering Offset	
AM_ADDR	Active Member Address	
AR_ADDR	Access Request Address	
ARQ	Automatic Repeat reQuest	
<b>B</b>		
BB	BaseBand	
BCH	Bose, Chaudhuri & Hocquenghem	Type of code The persons who discovered these codes in 1959 (H) and 1960 (B&C)
BD_ADDR	Bluetooth Device Address	
BER	Bit Error Rate	
BT	Bandwidth Time	
BT	Bluetooth	
<b>C</b>		
CAC	Channel Access Code	
CC	Call Control	
CL	Connectionless	
CODEC	COder DECoder	
COF	Ciphering Offset	
CRC	Cyclic Redundancy Check	
CVSD	Continuous Variable Slope Delta Modulation	
<b>D</b>		
DAC	Device Access Code	
DCE	Data Communication Equipment	

<b>Acronym or abbreviation</b>	<b>Writing out in full</b>	<b>Which means</b>
DCE	Data Circuit-Terminating Equipment	In serial communications, DCE refers to a device between the communication endpoints whose sole task is to facilitate the communications process; typically a modem
DCI	Default Check Initialization	
DH	Data-High Rate	Data packet type for high rate data
DIAC	Dedicated Inquiry Access Code	
DM	Data - Medium Rate	Data packet type for medium rate data
DTE	Data Terminal Equipment	In serial communications, DTE refers to a device at the endpoint of the communications path; typically a computer or terminal.
DTMF	Dual Tone Multiple Frequency	
DUT	Device Under Test	
DV	Data Voice	Data packet type for data and voice
<b>E</b>		
ETSI	European Telecommunications Standards Institute	
<b>F</b>		
FCC	Federal Communications Commission	
FEC	Forward Error Correction code	
FH	Frequency Hopping	
FHS	Frequency Hop Synchronization	
FIFO	First In First Out	
FSK	Frequency Shift Keying	type of modulation
FW	Firmware	
<b>G</b>		
GEOP	Generic Object Exchange Profile	
GFSK	Gaussian Frequency Shift Keying	
GIAC	General Inquiry Access Code	
GM	Group Management	

Acronym or abbreviation	Writing out in full	Which means
<b>H</b>		
HA	Host Application	SW using Bluetooth
HCI	Host Controller Interface	
HEC	Header-Error-Check	
HID	Human Interface Device	
HV	High quality Voice	e.g. HV1 packet
HW	Hardware	
<b>I</b>		
IAC	Inquiry Access Code	
IEEE	Institute of Electronic and Electrical Engineering	
IETF	Internet Engineering Task Force	
IP	Internet Protocol	
IrDA	Infra-red Data Association	
IrMC	Ir Mobile Communications	
ISDN	Integrated Services Digital Networks	
ISM	Industrial, Scientific, Medical	
IUT	Implementation Under Test	
<b>L</b>		
L_CH	Logical Channel	
L2CA	Logical Link Control and Adaptation	Logical Link Control And Management part of the Bluetooth protocol stack
L2CAP	Logical Link Control and Adaptation Protocol	
LAP	Lower Address Part	
LC	Link Controller	Link Controller (or baseband) part of the Bluetooth protocol stack Low level Baseband protocol handler
LCP	Link Control Protocol	
LCSS	Link Controller Service Signalling	
LFSR	Linear Feedback Shift Register	
LM	Link Manager	

Acronym or abbreviation	Writing out in full	Which means
LMP	Link Manager Protocol	For LM peer to peer communication
LSB	Least Significant Bit	
<b>M</b>		
M	Master or Mandatory	
M_ADDR	Medium Access Control Address	
MAC	Medium Access Control	
MAPI	Messaging Application Procedure Interface	
MMI	Man Machine Interface	
MS	Mobile Station	
MS	Multiplexing sublayer	
MSB	Most Significant Bit	
MSC	Message Sequence Chart	
MTU	Maximum Transmission Unit	
MUX	Multiplexing Sublayer	a sublayer of the L2CAP layer
<b>N</b>		
NAK	Negative Acknowledge	
NAP	Non-significant Address Part	
<b>O</b>		
O	Optional	
OBEX	OBject EXchange protocol	
OCF	Opcode Command Field	
<b>P</b>		
PCM	Pulse Coded Modulation	
PCMCIA	Personal Computer Memory Card International Association	
PDU	Protocol Data Unit	a message
PIN	Personal Identification Number	
PM_ADDR	Parked Member Address	
PN	Pseudo-random Noise	
PnP	Plug and Play	
POTS	Plain Old Telephone system	

Acronym or abbreviation	Writing out in full	Which means
PPM	Part Per Million	
PPP	Point-to-Point Protocol	
PRBS	Pseudo Random Bit Sequence	
PRNG	Pseudo Random Noise Generation	
PSTN	Public Switched Telephone Network	
<b>Q</b>		
QoS	Quality of Service	
<b>R</b>		
RAND	Random number	
RF	Radio Frequency	
RFC	Request For Comments	
RFCOMM		Serial cable emulation protocol based on ETSI TS 07.10
RSSI	Received Signal Strength Indication	
RX	Receiver	
<b>S</b>		
S	Slave	
SAP	Service Access Points	
SAR	Segmentation and Reassembly	
SCO link	Synchronous Connection-Oriented link	Supports time-bounded information like voice. (Master to single slave)
SD	Service Discovery	
SDDB	Service Discovery Database	
SDP	Service Discovery Protocol	
SEQN	Sequential Numbering scheme	
SRES	Signed Response	
SS	Supplementary Services	
SSI	Signal Strength Indication	
SUT	System Under Test	
SW	Software	

Acronym or abbreviation	Writing out in full	Which means
<b>T</b>		
TAE	Terminal Adapter Equipment	
TBD	To Be Defined	
TC	Test Control	Test Control layer for the test interface
TCI	Test Control Interface	
TCP/IP	Transport Control Protocol/Internet Protocol	
TCS	Telephony Control protocol Specification	
TDD	Time-Division Duplex	
TTP	Tiny Transport Protocol between OBEX and UDP [TBD]	
TX	Transmit	
<b>U</b>		
UA	User Asynchronous	Asynchronous user data
UAP	Upper Address Part	
UART	Universal Asynchronous receiver Transmitter	
UC	User Control	
UDP/IP	User Datagram Protocol/Internet Protocol	
UI	User Isochronous	Isochronous user data
UIAC	Unlimited Inquiry Access Code	
US	User Synchronous	Synchronous user data
USB	Universal Serial Bus	
UT	Upper Tester	
<b>W</b>		
WAP	Wireless Application Protocol	
WUG	Wireless User Group	



---

## Definitions

---

**Baseband.** The Bluetooth baseband specifies the medium access and physical layers procedures to support the exchange of real-time voice and data information streams and ad-hoc networking between Bluetooth units.

**Coverage area .** The area where two Bluetooth units can exchange messages with acceptable quality and performance.

**Host Terminal interface.** Host terminal interface is the Interface between Bluetooth Host and Bluetooth Unit.

**Inquiry.** A Bluetooth unit transmits inquiry messages in order to discover the other Bluetooth units that are active within the coverage area. The Bluetooth units that capture inquiry messages may send a response to the inquiring Bluetooth unit. The response contains information about the Bluetooth unit itself and its Bluetooth Host.

**Isochronous user channel .** Channel used for time bounded information like i.e. compressed audio (ACL link).

**Logical Channel.** The different types of channels on a Physical Link.

**Bluetooth Host.** Bluetooth Host is a computing device, peripheral, cellular telephone, access point to PSTN network, etc. A Bluetooth Host attached to a Bluetooth unit may communicate with other Bluetooth Hosts attached to their Bluetooth units as well. The communication channel through the Bluetooth units provides almost wire-like transparency.

**Bluetooth Unit.** Bluetooth Unit is a voice/data circuit equipment for a short-range wireless communication link. It allows voice and data communications between Bluetooth Hosts.

**Bluetooth.** Bluetooth is a wireless communication link, operating in the unlicensed ISM band at 2,4 GHz using a frequency hopping transceiver. It allows real-time voice and data communications between Bluetooth Hosts. The link protocol is based on time slots.

**Packet.** Format of aggregated bits that can be transmitted in 1, 3, or 5 time slots.

**Paging.** An Bluetooth unit transmits paging messages in order to set up a communication link to another Bluetooth unit who is active within the coverage area.

**Physical Channel.** Synchronized RF hopping sequence in a piconet

**Physical Link.** Connection between devices.

**Piconet.** In the Bluetooth system, the channel is shared among several Bluetooth units. The units sharing a common channel constitute a piconet.

**RFCOMM Client.** An RFCOMM client is an application that requests a connection to another application (RFCOMM server).

**RFCOMM initiator.** The device initiating the RFCOMM session, i.e. setting up RFCOMM channel on L2CAP and starting RFCOMM multiplexing with the SABM command on DLCI 0 (zero).

**RFCOMM Server.** An RFCOMM server is an application that awaits a connection from an RFCOMM client on another device. What happens after such a connection is established is out of scope of this definition.

**RFCOMM Server Channel.** This is a subfield of the TS 07.10 DLCI number. This abstraction is used to allow both server and client applications to reside on both sides of an RFCOMM session.

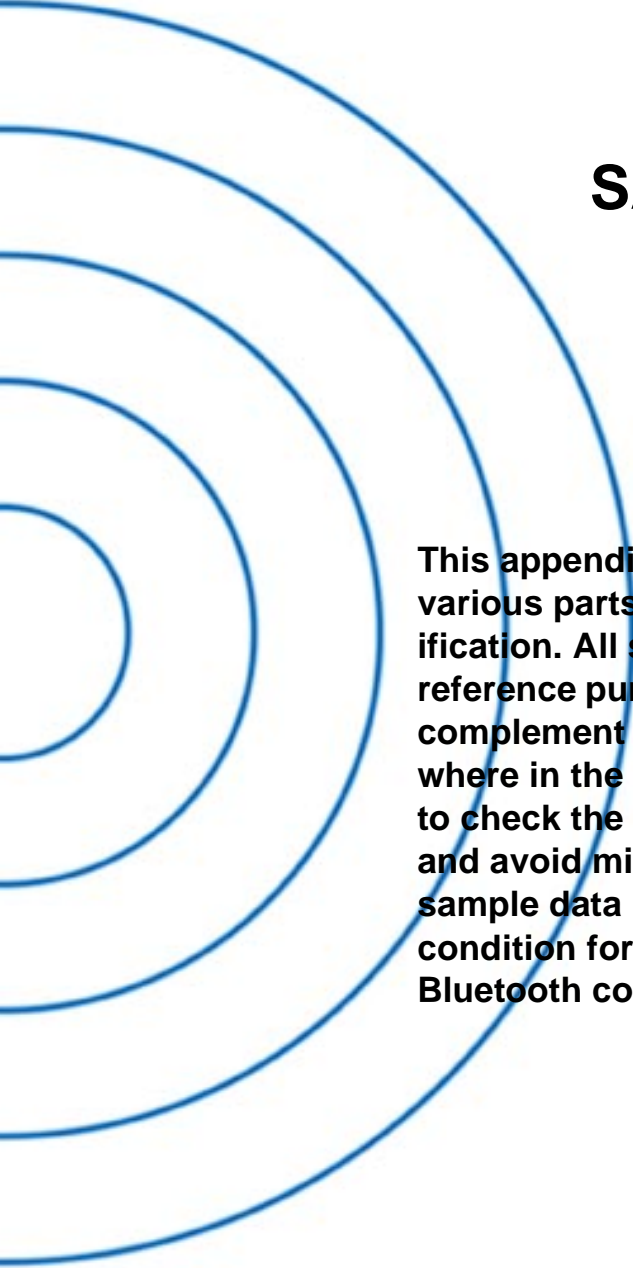
**Service Discovery.** The ability to discover the capability of connecting devices or hosts

**Scatternet.** Two or more piconets co-located in the same area (with or without inter-piconet communication).

**Time Slot.** The Physical Channel is divided into 625  $\mu$ s long time slots.

## Appendix IV

# SAMPLE DATA



**This appendix contains sample data for various parts of the Bluetooth baseband specification. All sample data are provided for reference purpose only; they are intended as a complement to the definitions provided elsewhere in the specification. They can be used to check the behavior of an implementation and avoid misunderstandings. Fulfilling these sample data is a necessary but not sufficient condition for an implementation to be fully Bluetooth compliant.**



**CONTENTS**

<b>1</b>	<b>Encryption Sample Data</b> .....	<b>902</b>
1.1	Generating Kc' from Kc,.....	902
1.2	First Set of Sample Data.....	905
1.3	Second Set of Sample Data.....	913
1.4	Third Set of Samples.....	921
1.5	Fourth Set of Samples.....	929
<b>2</b>	<b>Frequency Hopping Sample Data—Mandatory Scheme</b> .....	<b>937</b>
2.1	The 79-hop System Sample Data.....	937
2.1.1	First set.....	938
2.1.2	Second set.....	940
2.1.3	Third set.....	942
2.2	The 23-hop System Sample Data.....	943
2.2.1	First set.....	943
2.2.2	Second set.....	946
2.2.3	Third set.....	948
<b>3</b>	<b>Access Code Sample Data</b> .....	<b>950</b>
<b>4</b>	<b>HEC and Packet Header Sample Data</b> .....	<b>953</b>
<b>5</b>	<b>CRC Sample Data</b> .....	<b>954</b>
<b>6</b>	<b>Complete Sample Packets</b> .....	<b>955</b>
6.1	Example of DH1 Packet.....	955
6.2	Example of DM1 Packet.....	956
<b>7</b>	<b>Whitening Sequence Sample Data</b> .....	<b>957</b>
<b>8</b>	<b>FEC Sample Data</b> .....	<b>960</b>
<b>9</b>	<b>Encryption Key Sample Data</b> .....	<b>961</b>
9.1	Four Tests of E1.....	961
9.2	Four Tests of E21.....	965
9.3	Three Tests of E22.....	968
9.4	Tests of E22 With Pin Augmenting.....	970
9.5	Four Tests of E3.....	980

# 1 ENCRYPTION SAMPLE DATA

This part consist of four sets of sample data for the encryption process.

With respect to the functional description of the encryption engine in the Bluetooth baseband specification, the contents of registers and resulting concurrent values are listed as well. This by no means excludes different implementations (as far as they produce the same encryption stream) but is intended to describe the functional behavior.

In case of misunderstandings or inconsistencies, these sample data form the normative reference.

## 1.1 GENERATING KC' FROM KC,

where  $Kc'(x) = g2(x)(Kc(x) \text{ mod } g1(x))$ .

Note: All polynomials are in hexadecimal notation.

'L' is the effective key length in bytes.

The notation 'p: [m]' implies that  $\text{deg}(p(x)) = m$ .

		MSB		LSB
L = 1				
g1:	[8]	00000000	00000000	00000000 0000011d
g2:	[119]	00e275a0	abd218d4	cf928b9b bf6cb08f
Kc:		a2b230a4	93f281bb	61a85b82 a9d4a30e
Kc mod g1:	[7]	00000000	00000000	00000000 0000009f
g2(Kc mod g1):	[126]	7aa16f39	59836ba3	22049a7b 87f1d8a5
-----				
L = 2				
g1:	[16]	00000000	00000000	00000000 0001003f
g2:	[112]	0001e3f6	3d7659b3	7f18c258 cff6efef
Kc:		64e7df78	bb7ccaa4	61433123 5b3222ad
Kc mod g1:	[12]	00000000	00000000	00000000 00001ff0
g2(Kc mod g1):	[124]	142057bb	0bceac4c	58bd142e 1e710a50
-----				
L = 3				
g1:	[24]	00000000	00000000	00000000 010000db
g2:	[104]	000001be	f66c6c3a	b1030a5a 1919808b
Kc:		575e5156	ba685dc6	112124ac edb2c179
Kc mod g1:	[23]	00000000	00000000	00000000 008ddbc8
g2(Kc mod g1):	[127]	d56d0adb	8216cb39	7fe3c591 1ff95618
-----				
L = 4				
g1:	[32]	00000000	00000000	00000001 000000af
g2:	[96]	00000001	6ab89969	de17467f d3736ad9
Kc:		8917b4fc	403b6db2	1596b86d 1cb8adab
Kc mod g1:	[31]	00000000	00000000	00000000 aa1e78aa
g2(Kc mod g1):	[127]	91910128	b0e2f5ed	a132a03e af3d8cda
-----				

Appendix IV - Sample Data



L = 5

```

g1:          [40]          00000000 00000000 00000100 00000039
g2:          [88]          00000000 01630632 91da50ec 55715247
Kc:          [80]          785c915b dd25b9c6 0102ab00 b6cd2a68
Kc mod g1:   [38]          00000000 00000000 0000007f 13d44436
g2(Kc mod g1): [126]       6fb5651c cb80c8d7 ea1ee56d f1ec5d02
    
```

L = 6

```

g1:          [48]          00000000 00000000 00010000 00000291
g2:          [77]          00000000 00002c93 52aa6cc0 54468311
Kc:          [80]          5e77d19f 55ccd7d5 798f9a32 3b83e5d8
Kc mod g1:   [47]          00000000 00000000 000082eb 4af213ed
g2(Kc mod g1): [124]       16096bcb afcf8def 1d226a1b 4d3f9a3d
    
```

Appendix IV - Sample Data



L = 7

```
g1:          [56]          00000000 00000000 01000000 00000095
g2:          [71]          00000000 000000b3 f7fffce2 79f3a073
Kc:          [56]          05454e03 8ddcfbe3 ed024b2d 92b7f54c
Kc mod g1:   [55]          00000000 00000000 0095b8a4 8eb816da
g2(Kc mod g1): [126]       50f9c0d4 e3178da9 4a09fe0d 34f67b0e
```

L = 8

```
g1:          [64]          00000000 00000001 00000000 0000001b
g2:          [63]          00000000 00000000 a1ab815b c7ec8025
Kc:          [63]          7ce149fc f4b38ad7 2a5d8a41 eb15ba31
Kc mod g1:   [63]          00000000 00000000 8660806c 1865deec
g2(Kc mod g1): [126]       532c36d4 5d0954e0 922989b6 826f78dc
```

L = 9

```
g1:          [72]          00000000 00000100 00000000 00000609
g2:          [49]          00000000 00000000 0002c980 11d8b04d
Kc:          [72]          5eef7ca 84fc2782 9c051726 3df6f36e
Kc mod g1:   [71]          00000000 00000083 58ccb7d0 b95d3c71
g2(Kc mod g1): [120]       016313f6 0d3771cf 7f8e4bb9 4aa6827d
```

L = 10

```
g1:          [80]          00000000 00010000 00000000 00000215
g2:          [42]          00000000 00000000 0000058e 24f9a4bb
Kc:          [80]          7b13846e 88beb4de 34e7160a fd44dc65
Kc mod g1:   [79]          00000000 0000b4de 34171767 f36981c3
g2(Kc mod g1): [121]       023bc1ec 34a0029e f798dcfb 618ba58d
```

L = 11

```
g1:          [88]          00000000 01000000 00000000 0000013b
g2:          [35]          00000000 00000000 0000000c a76024d7
Kc:          [88]          bda6de6c 6e7d757e 8dfe2d49 9a181193
Kc mod g1:   [86]          00000000 007d757e 8dfe88aa 2fcee371
g2(Kc mod g1): [121]       022e08a9 3aa51d8d 2f93fa78 85cc1f87
```

L = 12

```
g1:          [96]          00000001 00000000 00000000 000000dd
g2:          [28]          00000000 00000000 00000000 1c9c26b9
Kc:          [96]          e6483b1c 2cdb1040 9a658f97 c4efd90d
Kc mod g1:   [93]          00000000 2cdb1040 9a658fd7 5b562e41
g2(Kc mod g1): [121]       030d752b 216fe29b b880275c d7e6f6f9
```

L = 13

```
g1:          [104]         00000100 00000000 00000000 0000049d
g2:          [21]          00000000 00000000 00000000 0026d9e3
Kc:          [104]         d79d281d a2266847 6b223c46 dc0ab9ee
Kc mod g1:   [100]         0000001d a2266847 6b223c45 e1fc5fa6
g2(Kc mod g1): [121]       03f11138 9ceb919 00b93808 4ac158aa
```



Appendix IV - Sample Data



```

L = 14
g1:          [112]      00010000 00000000 00000000 0000014f
g2:          [14]       00000000 00000000 00000000 00004377
Kc:          cad9a65b 9fca1c1d a2320fcf 7c4ae48e
Kc mod g1:   [111]      0000a65b 9fca1c1d a2320fcf 7cb6a909
g2(Kc mod g1): [125]    284840fd f1305f3c 529f5703 76adf7cf
-----
L = 15
g1:          [120]      01000000 00000000 00000000 000000e7
g2:          [7]        00000000 00000000 00000000 00000089
Kc:          21f0cc31 049b7163 d375e9e1 06029809
Kc mod g1:   [119]      00f0cc31 049b7163 d375e9e1 0602840e
g2(Kc mod g1): [126]    7f10b53b 6df84b94 f22e566a 3754a37e
-----
L = 16
g1:          [128]      00000001 00000000 00000000 00000000 00000000
g2:          [0]        00000000 00000000 00000000 00000001
Kc:          35ec8fc3 d50ccd32 5f2fd907 bde206de
Kc mod g1:   [125]      35ec8fc3 d50ccd32 5f2fd907 bde206de
g2(Kc mod g1): [125]    35ec8fc3 d50ccd32 5f2fd907 bde206de
-----

```

## 1.2 FIRST SET OF SAMPLE DATA

Initial values for the key, pan address and clock

```

K'cl[0] = 00  K'cl[1] = 00  K'cl[2] = 00  K'cl[3] = 00
K'cl[4] = 00  K'cl[5] = 00  K'cl[6] = 00  K'cl[7] = 00
K'cl[8] = 00  K'cl[9] = 00  K'cl[10] = 00  K'cl[11] = 00
K'cl[12] = 00  K'cl[13] = 00  K'cl[14] = 00  K'cl[15] = 00

```

```

Addr1[0] = 00  Addr1[1] = 00  Addr1[2] = 00
Addr1[3] = 00  Addr1[4] = 00  Addr1[5] = 00

```

```

Clk1[0] = 00  Clk1[1] = 00  Clk1[2] = 00  Clk1[3] = 00

```

```

=====
Fill LFSRs with initial data
=====

```

t	clk#	LFSR1	LFSR2	LFSR3	LFSR4	X1	X2	X3	X4	Z	C[t+1]	C[t]	C[t-1]
0	0	0000000*	00000000*	000000000*	0000000000*	0	0	0	0	0	00	00	00
1	1	0000000*	00000001*	000000000*	0000000001*	0	0	0	0	0	00	00	00
2	2	0000000*	00000002*	000000000*	00000000003*	0	0	0	0	0	00	00	00
3	3	0000000*	00000004*	000000000*	00000000007*	0	0	0	0	0	00	00	00
4	4	0000000*	00000008*	000000000*	0000000000E*	0	0	0	0	0	00	00	00
5	5	0000000*	00000010*	000000000*	0000000001C*	0	0	0	0	0	00	00	00
6	6	0000000*	00000020*	000000000*	00000000038*	0	0	0	0	0	00	00	00

Appendix IV - Sample Data

Bluetooth.

7	7	0000000*	00000040*	000000000*	0000000070*	0	0	0	0	0	00	00	00
8	8	0000000*	00000080*	000000000*	00000000E0*	0	0	0	0	0	00	00	00
9	9	0000000*	00000100*	000000000*	00000001C0*	0	0	0	0	0	00	00	00
10	10	0000000*	00000200*	000000000*	0000000380*	0	0	0	0	0	00	00	00
11	11	0000000*	00000400*	000000000*	0000000700*	0	0	0	0	0	00	00	00
12	12	0000000*	00000800*	000000000*	0000000E00*	0	0	0	0	0	00	00	00
13	13	0000000*	00001000*	000000000*	0000001C00*	0	0	0	0	0	00	00	00
14	14	0000000*	00002000*	000000000*	0000003800*	0	0	0	0	0	00	00	00
15	15	0000000*	00004000*	000000000*	0000007000*	0	0	0	0	0	00	00	00
16	16	0000000*	00008000*	000000000*	000000E000*	0	0	0	0	0	00	00	00
17	17	0000000*	00010000*	000000000*	000001C000*	0	0	0	0	0	00	00	00
18	18	0000000*	00020000*	000000000*	0000038000*	0	0	0	0	0	00	00	00
19	19	0000000*	00040000*	000000000*	0000070000*	0	0	0	0	0	00	00	00
20	20	0000000*	00080000*	000000000*	00000E0000*	0	0	0	0	0	00	00	00
21	21	0000000*	00100000*	000000000*	00001C0000*	0	0	0	0	0	00	00	00
22	22	0000000*	00200000*	000000000*	0000380000*	0	0	0	0	0	00	00	00
23	23	0000000*	00400000*	000000000*	0000700000*	0	0	0	0	0	00	00	00
24	24	0000000*	00800000*	000000000*	0000E00000*	0	1	0	0	1	00	00	00
25	25	0000000*	01000000*	000000000*	0001C00000*	0	0	0	0	0	00	00	00
26	26	0000000	02000000*	000000000*	0003800000*	0	0	0	0	0	00	00	00
27	27	0000000	04000000*	000000000*	0007000000*	0	0	0	0	0	00	00	00
28	28	0000000	08000000*	000000000*	000E000000*	0	0	0	0	0	00	00	00
29	29	0000000	10000000*	000000000*	001C000000*	0	0	0	0	0	00	00	00
30	30	0000000	20000000*	000000000*	0038000000*	0	0	0	0	0	00	00	00
31	31	0000000	40000000*	000000000*	0070000000*	0	0	0	0	0	00	00	00
32	32	0000000	00000001	000000000*	00E0000000*	0	0	0	1	1	00	00	00
33	33	0000000	00000002	000000000*	01C0000000*	0	0	0	1	1	00	00	00
34	34	0000000	00000004	000000000	0380000000*	0	0	0	1	1	00	00	00
35	35	0000000	00000008	000000000	0700000000*	0	0	0	0	0	00	00	00
36	36	0000000	00000010	000000000	0E00000000*	0	0	0	0	0	00	00	00
37	37	0000000	00000020	000000000	1C00000000*	0	0	0	0	0	00	00	00
38	38	0000000	00000040	000000000	3800000000*	0	0	0	0	0	00	00	00
39	39	0000000	00000080	000000000	7000000000*	0	0	0	0	0	00	00	00

=====  
Start clocking Summation Combiner  
=====

40	1	0000000	00000100	000000000	6000000001	0	0	0	0	0	00	00	00
41	2	0000000	00000200	000000000	4000000003	0	0	0	0	0	00	00	00
42	3	0000000	00000400	000000000	0000000007	0	0	0	0	0	00	00	00
43	4	0000000	00000800	000000000	000000000E	0	0	0	0	0	00	00	00
44	5	0000000	00001001	000000000	000000001D	0	0	0	0	0	00	00	00
45	6	0000000	00002002	000000000	000000003B	0	0	0	0	0	00	00	00
46	7	0000000	00004004	000000000	0000000077	0	0	0	0	0	00	00	00
47	8	0000000	00008008	000000000	00000000EE	0	0	0	0	0	00	00	00
48	9	0000000	00010011	000000000	00000001DD	0	0	0	0	0	00	00	00
49	10	0000000	00020022	000000000	00000003BB	0	0	0	0	0	00	00	00
50	11	0000000	00040044	000000000	0000000777	0	0	0	0	0	00	00	00
51	12	0000000	00080088	000000000	0000000EEE	0	0	0	0	0	00	00	00
52	13	0000000	00100110	000000000	000001DDD	0	0	0	0	0	00	00	00
53	14	0000000	00200220	000000000	000003BBB	0	0	0	0	0	00	00	00
54	15	0000000	00400440	000000000	000007777	0	0	0	0	0	00	00	00
55	16	0000000	00800880	000000000	000000EEEE	0	1	0	0	1	00	00	00
56	17	0000000	01001100	000000000	000001DDDD	0	0	0	0	0	00	00	00
57	18	0000000	02002200	000000000	000003BBBB	0	0	0	0	0	00	00	00
58	19	0000000	04004400	000000000	0000077777	0	0	0	0	0	00	00	00
59	20	0000000	08008800	000000000	000000EEEE	0	0	0	0	0	00	00	00
60	21	0000000	10011000	000000000	00001DDDDD	0	0	0	0	0	00	00	00

Appendix IV - Sample Data

**Bluetooth.**

61	22	0000000	20022000	000000000	00003BBBBB	0	0	0	0	0	00	00	00
62	23	0000000	40044000	000000000	0000777777	0	0	0	0	0	00	00	00
63	24	0000000	00088001	000000000	0000EEEEEE	0	0	0	0	0	00	00	00
64	25	0000000	00110003	000000000	0001DDDDDD	0	0	0	0	0	00	00	00
65	26	0000000	00220006	000000000	0003BBBBBB	0	0	0	0	0	00	00	00
66	27	0000000	0044000C	000000000	0007777777	0	0	0	0	0	00	00	00
67	28	0000000	00880018	000000000	000EEEEEEE	0	1	0	0	1	00	00	00
68	29	0000000	01100031	000000000	001DDDDDDC	0	0	0	0	0	00	00	00
69	30	0000000	02200062	000000000	003BBBBBB8	0	0	0	0	0	00	00	00
70	31	0000000	044000C4	000000000	0077777770	0	0	0	0	0	00	00	00
71	32	0000000	08800188	000000000	00EEEEEEE0	0	1	0	1	0	01	00	00
72	33	0000000	11000311	000000000	01DDDDDDC1	0	0	0	1	0	00	01	00
73	34	0000000	22000622	000000000	03BBBBBB83	0	0	0	1	1	11	00	01
74	35	0000000	44000C44	000000000	0777777707	0	0	0	0	1	10	11	00
75	36	0000000	08001888	000000000	0EEEEEEE0E	0	0	0	1	1	01	10	11
76	37	0000000	10003111	000000000	1DDDDDDC1D	0	0	0	1	0	01	01	10
77	38	0000000	20006222	000000000	3BBBBBB83B	0	0	0	1	0	11	01	01
78	39	0000000	4000C444	000000000	7777777077	0	0	0	0	1	01	11	01
79	40	0000000	00018888	000000000	6EEEEEE0EF	0	0	0	1	0	10	01	11
80	41	0000000	00031110	000000000	5DDDDDC1DE	0	0	0	1	1	00	10	01
81	42	0000000	00062220	000000000	3BBBBB83BC	0	0	0	1	1	01	00	10
82	43	0000000	000C4440	000000000	7777770779	0	0	0	0	1	01	01	00
83	44	0000000	00188880	000000000	6EEEEE0EF2	0	0	0	1	0	11	01	01
84	45	0000000	00311100	000000000	5DDDDC1DE5	0	0	0	1	0	10	11	01
85	46	0000000	00622200	000000000	3BBB83BCB	0	0	0	1	1	01	10	11
86	47	0000000	00C44400	000000000	7777707797	0	1	0	0	0	01	01	10
87	48	0000000	01888801	000000000	6EEEE0EF2F	0	1	0	1	1	11	01	01
88	49	0000000	03111003	000000000	5DDDC1DE5E	0	0	0	1	0	10	11	01
89	50	0000000	06222006	000000000	3BBB83BCBC	0	0	0	1	1	01	10	11
90	51	0000000	0C44400C	000000000	7777077979	0	0	0	0	1	00	01	10
91	52	0000000	18888018	000000000	6EEEE0EF2F2	0	1	0	1	0	10	00	01
92	53	0000000	31110030	000000000	5DDC1DE5E5	0	0	0	1	1	11	10	00
93	54	0000000	62220060	000000000	3BB83BCBCB	0	0	0	1	0	00	11	10
94	55	0000000	444400C1	000000000	7770779797	0	0	0	0	0	10	00	11
95	56	0000000	08880183	000000000	6EE0EF2F2F	0	1	0	1	0	00	10	00
96	57	0000000	11100307	000000000	5DC1DE5E5F	0	0	0	1	1	01	00	10
97	58	0000000	2220060E	000000000	3B83BCBCBF	0	0	0	1	0	00	01	00
98	59	0000000	44400C1C	000000000	770779797E	0	0	0	0	0	11	00	01
99	60	0000000	08801838	000000000	6E0EF2F2FC	0	1	0	0	0	01	11	00
100	61	0000000	11003070	000000000	5C1DE5E5F8	0	0	0	0	1	11	01	11
101	62	0000000	220060E0	000000000	383BCBCBF0	0	0	0	0	1	01	11	01
102	63	0000000	4400C1C0	000000000	70779797E0	0	0	0	0	1	11	01	11
103	64	0000000	08018380	000000000	60EF2F2FC1	0	0	0	1	0	10	11	01
104	65	0000000	10030701	000000000	41DE5E5F82	0	0	0	1	1	01	10	11
105	66	0000000	20060E02	000000000	03BCBCBF04	0	0	0	1	0	01	01	10
106	67	0000000	400C1C05	000000000	0779797E09	0	0	0	0	1	10	01	01
107	68	0000000	0018380A	000000000	0EF2F2FC12	0	0	0	1	1	00	10	01
108	69	0000000	00307015	000000000	1DE5E5F825	0	0	0	1	1	01	00	10
109	70	0000000	0060E02A	000000000	3BCBCBF04B	0	0	0	1	0	00	01	00
110	71	0000000	00C1C055	000000000	779797E097	0	1	0	1	0	10	00	01
111	72	0000000	018380AA	000000000	6F2F2FC12F	0	1	0	0	1	11	10	00
112	73	0000000	03070154	000000000	5E5E5F825E	0	0	0	0	1	11	11	10
113	74	0000000	060E02A8	000000000	3BCBCBF04BC	0	0	0	1	0	11	11	11
114	75	0000000	0C1C0550	000000000	79797E0979	0	0	0	0	1	00	11	11
115	76	0000000	18380AA0	000000000	72F2FC12F2	0	0	0	1	1	10	00	11
116	77	0000000	30701541	000000000	65E5F825E5	0	0	0	1	1	11	10	00
117	78	0000000	60E02A82	000000000	4BCBF04BCB	0	1	0	1	1	00	11	10

Appendix IV - Sample Data

**Bluetooth.**

118	79	0000000	41C05505	000000000	1797E09796	0	1	0	1	0	11	00	11
119	80	0000000	0380AA0A	000000000	2F2FC12F2C	0	1	0	0	0	01	11	00
120	81	0000000	07015415	000000000	5E5F825E59	0	0	0	0	1	11	01	11
121	82	0000000	0E02A82A	000000000	3CBF04BCB2	0	0	0	1	0	10	11	01
122	83	0000000	1C055054	000000000	797E097964	0	0	0	0	0	01	10	11
123	84	0000000	380AA0A8	000000000	72FC12F2C9	0	0	0	1	0	01	01	10
124	85	0000000	70154151	000000000	65F825E593	0	0	0	1	0	11	01	01
125	86	0000000	602A82A3	000000000	4BF04BCB26	0	0	0	1	0	10	11	01
126	87	0000000	40550546	000000000	17E097964C	0	0	0	1	1	01	10	11
127	88	0000000	00AA0A8D	000000000	2FC12F2C99	0	1	0	1	1	01	01	10
128	89	0000000	0154151A	000000000	5F825E5932	0	0	0	1	0	11	01	01
129	90	0000000	02A82A34	000000000	3F04BCB264	0	1	0	0	0	10	11	01
130	91	0000000	05505468	000000000	7E097964C9	0	0	0	0	0	01	10	11
131	92	0000000	0AA0A8D0	000000000	7C12F2C992	0	1	0	0	0	01	01	10
132	93	0000000	154151A1	000000000	7825E59324	0	0	0	0	1	10	01	01
133	94	0000000	2A82A342	000000000	704BCB2648	0	1	0	0	1	00	10	01
134	95	0000000	55054684	000000000	6097964C91	0	0	0	1	1	01	00	10
135	96	0000000	2A0A8D09	000000000	412F2C9923	0	0	0	0	1	01	01	00
136	97	0000000	54151A12	000000000	025E593246	0	0	0	0	1	10	01	01
137	98	0000000	282A3424	000000000	04BCB2648D	0	0	0	1	1	00	10	01
138	99	0000000	50546848	000000000	097964C91A	0	0	0	0	0	01	00	10
139	100	0000000	20A8D090	000000000	12F2C99235	0	1	0	1	1	00	01	00
140	101	0000000	4151A120	000000000	25E593246A	0	0	0	1	1	11	00	01
141	102	0000000	02A34240	000000000	4BCB2648D5	0	1	0	1	1	01	11	00
142	103	0000000	05468481	000000000	17964C91AB	0	0	0	1	0	10	01	11
143	104	0000000	0A8D0903	000000000	2F2C992357	0	1	0	0	1	00	10	01
144	105	0000000	151A1206	000000000	5E593246AE	0	0	0	0	0	01	00	10
145	106	0000000	2A34240C	000000000	3CB2648D5C	0	0	0	1	0	00	01	00
146	107	0000000	54684818	000000000	7964C91AB8	0	0	0	0	0	11	00	01
147	108	0000000	28D09030	000000000	72C9923571	0	1	0	1	1	01	11	00
148	109	0000000	51A12060	000000000	6593246AE2	0	1	0	1	1	10	01	11
149	110	0000000	234240C0	000000000	4B2648D5C5	0	0	0	0	0	00	10	01
150	111	0000000	46848180	000000000	164C91AB8A	0	1	0	0	1	01	00	10
151	112	0000000	0D090301	000000000	2C99235714	0	0	0	1	0	00	01	00
152	113	0000000	1A120602	000000000	593246AE28	0	0	0	0	0	11	00	01
153	114	0000000	34240C04	000000000	32648D5C51	0	0	0	0	1	10	11	00
154	115	0000000	68481809	000000000	64C91AB8A2	0	0	0	1	1	01	10	11
155	116	0000000	50903012	000000000	4992357144	0	1	0	1	1	01	01	10
156	117	0000000	21206024	000000000	13246AE288	0	0	0	0	1	10	01	01
157	118	0000000	4240C048	000000000	2648D5C511	0	0	0	0	0	00	10	01
158	119	0000000	04818090	000000000	4C91AB8A23	0	1	0	1	0	00	00	10
159	120	0000000	09030120	000000000	1923571446	0	0	0	0	0	00	00	00
160	121	0000000	12060240	000000000	3246AE288D	0	0	0	0	0	00	00	00
161	122	0000000	240C0480	000000000	648D5C511B	0	0	0	1	1	00	00	00
162	123	0000000	48180900	000000000	491AB8A237	0	0	0	0	0	00	00	00
163	124	0000000	10301200	000000000	123571446F	0	0	0	0	0	00	00	00
164	125	0000000	20602400	000000000	246AE288DF	0	0	0	0	0	00	00	00
165	126	0000000	40C04800	000000000	48D5C511BE	0	1	0	1	0	01	00	00
166	127	0000000	01809001	000000000	11AB8A237D	0	1	0	1	1	00	01	00
167	128	0000000	03012002	000000000	23571446FA	0	0	0	0	0	11	00	01
168	129	0000000	06024004	000000000	46AE288DF5	0	0	0	1	0	01	11	00
169	130	0000000	0C048008	000000000	0D5C511BEA	0	0	0	0	1	11	01	11
170	131	0000000	18090011	000000000	1AB8A237D5	0	0	0	1	0	10	11	01
171	132	0000000	30120022	000000000	3571446FAA	0	0	0	0	0	01	10	11
172	133	0000000	60240044	000000000	6AE288DF55	0	0	0	1	0	01	01	10
173	134	0000000	40480089	000000000	55C511BEAA	0	0	0	1	0	11	01	01
174	135	0000000	00900113	000000000	2B8A237D54	0	1	0	1	1	10	11	01

Appendix IV - Sample Data

**Bluetooth.**

175	136	0000000	01200227	000000000	571446FAA8	0	0	0	0	0	01	10	11
176	137	0000000	0240044E	000000000	2E288DF550	0	0	0	0	1	00	01	10
177	138	0000000	0480089C	000000000	5C511BEAA0	0	1	0	0	1	11	00	01
178	139	0000000	09001138	000000000	38A237D540	0	0	0	1	0	01	11	00
179	140	0000000	12002270	000000000	71446FAA81	0	0	0	0	1	11	01	11
180	141	0000000	240044E0	000000000	6288DF5503	0	0	0	1	0	10	11	01
181	142	0000000	480089C0	000000000	4511BEAA06	0	0	0	0	0	01	10	11
182	143	0000000	10011381	000000000	0A237D540D	0	0	0	0	1	00	01	10
183	144	0000000	20022702	000000000	1446FAA81A	0	0	0	0	0	11	00	01
184	145	0000000	40044E04	000000000	288DF55035	0	0	0	1	0	01	11	00
185	146	0000000	00089C08	000000000	511BEAA06A	0	0	0	0	1	11	01	11
186	147	0000000	00113810	000000000	2237D540D5	0	0	0	0	1	01	11	01
187	148	0000000	00227021	000000000	446FAA81AA	0	0	0	0	1	11	01	11
188	149	0000000	0044E042	000000000	08DF550355	0	0	0	1	0	10	11	01
189	150	0000000	0089C085	000000000	11BEAA06AA	0	1	0	1	0	10	10	11
190	151	0000000	0113810A	000000000	237D540D54	0	0	0	0	0	10	10	10
191	152	0000000	02270215	000000000	46FAA81AA9	0	0	0	1	1	10	10	10
192	153	0000000	044E042A	000000000	0DF5503553	0	0	0	1	1	10	10	10
193	154	0000000	089C0854	000000000	1BEAA06AA7	0	1	0	1	0	01	10	10
194	155	0000000	113810A8	000000000	37D540D54E	0	0	0	1	0	01	01	10
195	156	0000000	22702150	000000000	6FAA81AA9D	0	0	0	1	0	11	01	01
196	157	0000000	44E042A0	000000000	5F5503553A	0	1	0	0	0	10	11	01
197	158	0000000	09C08540	000000000	3EAA06AA75	0	1	0	1	0	10	10	11
198	159	0000000	13810A80	000000000	7D540D54EA	0	1	0	0	1	10	10	10
199	160	0000000	27021500	000000000	7AA81AA9D5	0	0	0	1	1	10	10	10
200	161	0000000	4E042A00	000000000	75503553AB	0	0	0	0	0	10	10	10
201	162	0000000	1C085400	000000000	6AA06AA756	0	0	0	1	1	10	10	10
202	163	0000000	3810A800	000000000	5540D54EAC	0	0	0	0	0	10	10	10
203	164	0000000	70215000	000000000	2A81AA9D58	0	0	0	1	1	10	10	10
204	165	0000000	6042A001	000000000	5503553AB0	0	0	0	0	0	10	10	10
205	166	0000000	40854002	000000000	2A06AA7561	0	1	0	0	1	10	10	10
206	167	0000000	010A8004	000000000	540D54EAC3	0	0	0	0	0	10	10	10
207	168	0000000	02150009	000000000	281AA9D586	0	0	0	0	0	10	10	10
208	169	0000000	042A0012	000000000	503553AB0C	0	0	0	0	0	10	10	10
209	170	0000000	08540024	000000000	206AA75618	0	0	0	0	0	10	10	10
210	171	0000000	10A80048	000000000	40D54EAC30	0	1	0	1	0	01	10	10
211	172	0000000	21500091	000000000	01AA9D5861	0	0	0	1	0	01	01	10
212	173	0000000	42A00122	000000000	03553AB0C3	0	1	0	0	0	11	01	01
213	174	0000000	05400244	000000000	06AA756186	0	0	0	1	0	10	11	01
214	175	0000000	0A800488	000000000	0D54EAC30D	0	1	0	0	1	01	10	11
215	176	0000000	15000911	000000000	1AA9D5861A	0	0	0	1	0	01	01	10
216	177	0000000	2A001223	000000000	3553AB0C35	0	0	0	0	1	10	01	01
217	178	0000000	54002446	000000000	6AA756186A	0	0	0	1	1	00	10	01
218	179	0000000	2800488D	000000000	554EAC30D5	0	0	0	0	0	01	00	10
219	180	0000000	5000911B	000000000	2A9D5861AA	0	0	0	1	0	00	01	00
220	181	0000000	20012236	000000000	553AB0C355	0	0	0	0	0	11	00	01
221	182	0000000	4002446C	000000000	2A756186AA	0	0	0	0	1	10	11	00
222	183	0000000	000488D9	000000000	54EAC30D54	0	0	0	1	1	01	10	11
223	184	0000000	000911B2	000000000	29D5861AA8	0	0	0	1	0	01	01	10
224	185	0000000	00122364	000000000	53AB0C3550	0	0	0	1	0	11	01	01
225	186	0000000	002446C8	000000000	2756186AA0	0	0	0	0	1	01	11	01
226	187	0000000	00488D90	000000000	4EAC30D540	0	0	0	1	0	10	01	11
227	188	0000000	00911B20	000000000	1D5861AA81	0	1	0	0	1	00	10	01
228	189	0000000	01223640	000000000	3AB0C35502	0	0	0	1	1	01	00	10
229	190	0000000	02446C80	000000000	756186AA05	0	0	0	0	1	01	01	00
230	191	0000000	0488D901	000000000	6AC30D540B	0	1	0	1	1	11	01	01
231	192	0000000	0911B203	000000000	55861AA817	0	0	0	1	0	10	11	01

Appendix IV - Sample Data

**Bluetooth.**

232	193	00000000	12236407	0000000000	2B0C35502F	0	0	0	0	0	01	10	11
233	194	00000000	2446C80E	0000000000	56186AA05F	0	0	0	0	1	00	01	10
234	195	00000000	488D901C	0000000000	2C30D540BF	0	1	0	0	1	11	00	01
235	196	00000000	111B2039	0000000000	5861AA817E	0	0	0	0	1	10	11	00
236	197	00000000	22364072	0000000000	30C35502FD	0	0	0	1	1	01	10	11
237	198	00000000	446C80E4	0000000000	6186AA05FB	0	0	0	1	0	01	01	10
238	199	00000000	08D901C8	0000000000	430D540BF6	0	1	0	0	0	11	01	01
239	200	00000000	11B20391	0000000000	061AA817EC	0	1	0	0	0	10	11	01

- Z[0] = 3D
- Z[1] = C1
- Z[2] = F0
- Z[3] = BB
- Z[4] = 58
- Z[5] = 1E
- Z[6] = 42
- Z[7] = 42
- Z[8] = 4B
- Z[9] = 8E
- Z[10] = C1
- Z[11] = 2A
- Z[12] = 40
- Z[13] = 63
- Z[14] = 7A
- Z[15] = 1E

```

=====
Reload this pattern into the LFSRs
Hold content of Summation Combiner regs and calculate new C[t+1] and Z values
=====
LFSR1 <= 04B583D
LFSR2 <= 208E1EC1
LFSR3 <= 063C142F0
LFSR4 <= 0F7A2A42BB
C[t+1] <= 10

```

```

=====
Generating 125 key symbols (encryption/decryption sequence)
=====
240 1 04B583D 208E1EC1 063C142F0 0F7A2A42BB 0 1 0 0 0 10 11 01
241 2 096B07A 411C3D82 0C78285E1 1EF4548577 1 0 1 1 1 10 10 11
242 3 12D60F4 02387B04 18F050BC3 3DE8A90AEF 0 0 1 1 0 01 10 10
243 4 05AC1E9 0470F609 11E0A1786 7BD15215DF 0 0 0 1 0 01 01 10
244 5 0B583D2 08E1EC13 03C142F0C 77A2A42BBF 1 1 0 1 0 00 01 01
245 6 16B07A5 11C3D827 078285E18 6F4548577E 0 1 0 0 1 11 00 01
246 7 0D60F4B 2387B04F 0F050BC30 5E8A90AEFD 1 1 1 1 1 00 11 00
247 8 1AC1E97 470F609E 1E0A17860 3D15215DFA 1 0 1 0 0 11 00 11
248 9 1583D2E 0E1EC13D 1C142F0C0 7A2A42BBF4 0 0 1 0 0 01 11 00
249 10 0B07A5D 1C3D827B 18285E181 74548577E9 1 0 1 0 1 10 01 11
250 11 160F4BB 387B04F7 1050BC302 68A90AEFD2 0 0 0 1 1 00 10 01
251 12 0C1E976 70F609EE 00A178605 515215DFA5 1 1 0 0 0 00 00 10
252 13 183D2ED 61EC13DD 0142F0C0B 22A42BBF4B 1 1 0 1 1 01 00 00
253 14 107A5DA 43D827BA 0285E1817 4548577E97 0 1 0 0 0 00 01 00
254 15 00F4BB4 07B04F74 050BC302F 0A90AEFD2E 0 1 0 1 0 10 00 01
255 16 01E9769 0F609EE8 0A178605E 15215DFA5C 0 0 1 0 1 11 10 00
256 17 03D2ED3 1EC13DD0 142F0C0BD 2A42BBF4B9 0 1 0 0 0 00 11 10
257 18 07A5DA7 3D827BA0 085E1817B 548577E972 0 1 1 1 1 11 00 11

```

Appendix IV - Sample Data

**Bluetooth.**

258	19	0F4BB4F	7B04F740	10BC302F6	290AEFD2E5	1	0	0	0	0	01	11	00
259	20	1E9769F	7609EE80	0178605ED	5215DFA5CA	1	0	0	0	0	10	01	11
260	21	1D2ED3F	6C13DD01	02F0C0BDA	242BBF4B94	1	0	0	0	1	00	10	01
261	22	1A5DA7E	5827BA03	05E1817B4	48577E9729	1	0	0	0	1	01	00	10
262	23	14BB4FC	304F7407	0BC302F69	10AEFD2E53	0	0	1	1	1	00	01	00
263	24	09769F9	609EE80E	178605ED2	215DFA5CA7	1	1	0	0	0	10	00	01
264	25	12ED3F2	413DD01C	0F0C0BDA4	42BBF4B94F	0	0	1	1	0	00	10	00
265	26	05DA7E5	027BA038	1E1817B49	0577E9729F	0	0	1	0	1	01	00	10
266	27	0BB4FCA	04F74071	1C302F693	0AEFD2E53F	1	1	1	1	1	11	01	00
267	28	1769F95	09EE80E3	18605ED27	15DFA5CA7F	0	1	1	1	0	11	11	01
268	29	0ED3F2B	13DD01C6	10C0BDA4F	2BBF4B94FE	1	1	0	1	0	10	11	11
269	30	1DA7E56	27BA038D	01817B49F	577E9729FD	1	1	0	0	0	10	10	11
270	31	1B4FCAD	4F74071B	0302F693E	2EFD2E53FB	1	0	0	1	0	01	10	10
271	32	169F95B	1EE80E37	0605ED27D	5DFA5CA7F7	0	1	0	1	1	01	01	10
272	33	0D3F2B7	3DD01C6E	0C0BDA4FB	3BF4B94FEF	1	1	1	1	1	00	01	01
273	34	1A7E56F	7BA038DC	1817B49F6	77E9729FDE	1	1	1	1	0	01	00	01
274	35	14FCADF	774071B9	102F693ED	6FD2E53FBD	0	0	0	1	0	00	01	00
275	36	09F95BE	6E80E373	005ED27DB	5FA5CA7F7B	1	1	0	1	1	10	00	01
276	37	13F2B7C	5D01C6E7	00BDA4FB6	3F4B94FEF7	0	0	0	0	0	11	10	00
277	38	07E56F9	3A038DCE	017B49F6C	7E9729FDDE	0	0	0	1	0	00	11	10
278	39	0FCADF2	74071B9C	02F693ED8	7D2E53FBDD	1	0	0	0	1	10	00	11
279	40	1F95BE5	680E3738	05ED27DB0	7A5CA7F7BA	1	0	0	0	1	11	10	00
280	41	1F2B7CA	501C6E71	0BDA4FB60	74B94FEF74	1	0	1	1	0	01	11	10
281	42	1E56F94	2038DCE2	17B49F6C0	69729FDDE8	1	0	0	0	0	10	01	11
282	43	1CADF29	4071B9C4	0F693ED80	52E53FBDD1	1	0	1	1	1	11	10	01
283	44	195BE53	00E37389	1ED27DB01	25CA7F7BA3	1	1	1	1	1	01	11	10
284	45	12B7CA6	01C6E713	1DA4FB602	4B94FEF747	0	1	1	1	0	01	01	11
285	46	056F94C	038DCE26	1B49F6C04	1729FDDEE8E	0	1	1	0	1	11	01	01
286	47	0ADF299	071B9C4D	1693ED808	2E53FBDD1C	1	0	0	0	0	10	11	01
287	48	15BE532	0E37389A	0D27DB011	5CA7F7BA38	0	0	1	1	0	10	10	11
288	49	0B7CA64	1C6E7135	1A4FB6022	394FEF7471	1	0	1	0	0	01	10	10
289	50	16F94C9	38DCE26A	149F6C044	729FDDEE8E2	0	1	0	1	1	01	01	10
290	51	0DF2993	71B9C4D4	093ED8089	653FBDD1C4	1	1	1	0	0	00	01	01
291	52	1BE5327	637389A9	127DB0112	4A7F7BA388	1	0	0	0	1	11	00	01
292	53	17CA64E	46E71353	04FB60224	14FEF74710	0	1	0	1	1	01	11	00
293	54	0F94C9C	0DCE26A6	09F6C0448	29FDDEE8E21	1	1	1	1	1	01	01	11
294	55	1F29939	1B9C4D4D	13ED80890	53FBDD1C42	1	1	0	1	0	00	01	01
295	56	1E53272	37389A9A	07DB01121	27F7BA3884	1	0	0	1	0	10	00	01
296	57	1CA64E5	6E713534	0FB602242	4FEF747108	1	0	1	1	1	00	10	00
297	58	194C9CB	5CE26A69	1F6C04485	1FDEE8E210	1	1	1	1	0	11	00	10
298	59	1299397	39C4D4D3	1ED80890A	3FBDD1C420	0	1	1	1	0	00	11	00
299	60	053272F	7389A9A6	1DB011214	7F7BA38840	0	1	1	0	0	11	00	11
300	61	0A64E5E	6713534C	1B6022428	7EF7471081	1	0	1	1	0	00	11	00
301	62	14C9CBD	4E26A699	16C044850	7DEE8E2102	0	0	0	1	1	10	00	11
302	63	099397A	1C4D4D32	0D80890A0	7BDD1C4205	1	0	1	1	1	00	10	00
303	64	13272F4	389A9A65	1B0112141	77BA38840B	0	1	1	1	1	00	00	10
304	65	064E5E8	713534CB	160224283	6F74710817	0	0	0	0	0	00	00	00
305	66	0C9CBD1	626A6997	0C0448507	5EE8E2102E	1	0	1	1	1	01	00	00
306	67	19397A3	44D4D32E	180890A0E	3DD1C4205C	1	1	1	1	1	11	01	00
307	68	1272F46	09A9A65D	10112141D	7BA38840B8	0	1	0	1	1	10	11	01
308	69	04E5E8C	13534CBA	00224283A	7747108171	0	0	0	0	0	01	10	11
309	70	09CBD19	26A69975	004485075	6E8E2102E3	1	1	0	1	0	10	01	10
310	71	1397A32	4D4D32EB	00890A0EA	5D1C4205C7	0	0	0	0	0	00	10	01
311	72	072F465	1A9A65D7	0112141D5	3A38840B8F	0	1	0	0	1	01	00	10
312	73	0E5E8CA	3534CBAF	0224283AA	747108171F	1	0	0	0	0	00	01	00
313	74	1CBD194	6A69975E	044850755	68E2102E3E	1	0	0	1	0	10	00	01
314	75	197A329	54D32EBC	0890A0EAB	51C4205C7D	1	1	1	1	0	01	10	00

Appendix IV - Sample Data

Bluetooth.

315	76	12F4653	29A65D79	112141D56	238840B8FA	0	1	0	1	1	01	01	10
316	77	05E8CA6	534CBAF2	024283AAD	47108171F4	0	0	0	0	1	10	01	01
317	78	0BD194D	269975E5	04850755B	0E2102E3E9	1	1	0	0	0	11	10	01
318	79	17A329A	4D32EBCB	090A0EAB6	1C4205C7D2	0	0	1	0	0	00	11	10
319	80	0F46535	1A65D797	12141D56D	38840B8FA5	1	0	0	1	0	11	00	11
320	81	1E8CA6A	34CBAF2F	04283AADA	7108171F4B	1	1	0	0	1	01	11	00
321	82	1D194D5	69975E5F	0850755B4	62102E3E97	1	1	1	0	0	01	01	11
322	83	1A329AA	532EBCBF	10A0EAB68	44205C7D2F	1	0	0	0	0	11	01	01
323	84	1465355	265D797F	0141D56D1	0840B8FA5E	0	0	0	0	1	01	11	01
324	85	08CA6AB	4CBAF2FF	0283AADA2	108171F4BC	1	1	0	1	0	01	01	11
325	86	1194D56	1975E5FF	050755B45	2102E3E979	0	0	0	0	1	10	01	01
326	87	0329AAD	32EBCBFF	0A0EAB68A	4205C7D2F3	0	1	1	0	0	11	10	01
327	88	065355A	65D797FF	141D56D14	040B8FA5E7	0	1	0	0	0	00	11	10
328	89	0CA6AB4	4BAF2FFF	083AADA28	08171F4BCF	1	1	1	0	1	11	00	11
329	90	194D569	175E5FFF	10755B450	102E3E979E	1	0	0	0	0	01	11	00
330	91	129AAD3	2EBCBFFF	00EAB68A1	205C7D2F3C	0	1	0	0	0	10	01	11
331	92	05355A6	5D797FFF	01D56D142	40B8FA5E78	0	0	0	1	1	00	10	01
332	93	0A6AB4D	3AF2FFFE	03AADA285	0171F4BCF1	1	1	0	0	0	00	00	10
333	94	14D569B	75E5FFFD	0755B450A	02E3E979E2	0	1	0	1	0	01	00	00
334	95	09AAD37	6BCBFFFA	0EAB68A15	05C7D2F3C4	1	1	1	1	1	11	01	00
335	96	1355A6E	5797FFF4	1D56D142A	0B8FA5E788	0	1	1	1	0	11	11	01
336	97	06AB4DC	2F2FFFE8	1AADA2854	171F4BCF11	0	0	1	0	0	11	11	11
337	98	0D569B8	5E5FFFDD	155B450A9	2E3E979E23	1	0	0	0	0	11	11	11
338	99	1AAD370	3CBFFFA1	0AB68A153	5C7D2F3C46	1	1	1	0	0	10	11	11
339	100	155A6E0	797FFF43	156D142A7	38FA5E788D	0	0	0	1	1	01	10	11
340	101	0AB4DC0	72FFFE87	0ADA2854E	71F4BCF11B	1	1	1	1	1	10	01	10
341	102	1569B81	65FFFD0E	15B450A9D	63E979E236	0	1	0	1	0	11	10	01
342	103	0AD3703	4BFFFA1C	0B68A153B	47D2F3C46C	1	1	1	1	1	01	11	10
343	104	15A6E07	17FFF438	16D142A76	0FA5E788D8	0	1	0	1	1	10	01	11
344	105	0B4DC0F	2FFFE870	0DA2854EC	1F4BCF11B0	1	1	1	0	1	11	10	01
345	106	169B81F	5FFFD0E1	1B450A9D8	3E979E2360	0	1	1	1	0	01	11	10
346	107	0D3703F	3FFFA1C3	168A153B0	7D2F3C46C1	1	1	0	0	1	10	01	11
347	108	1A6E07E	7FFF4386	0D142A761	7A5E788D83	1	1	1	0	1	11	10	01
348	109	14DC0FD	7FFE870C	1A2854EC2	74BCF11B07	0	1	1	1	0	01	11	10
349	110	09B81FB	7FFD0E19	1450A9D84	6979E2360E	1	1	0	0	1	10	01	11
350	111	13703F6	7FFA1C33	08A153B09	52F3C46C1C	0	1	1	1	1	11	10	01
351	112	06E07EC	7FF43867	1142A7612	25E788D838	0	1	0	1	1	00	11	10
352	113	0DC0FD8	7FE870CF	02854EC25	4BCF11B071	1	1	0	1	1	11	00	11
353	114	1B81FB1	7FD0E19E	050A9D84B	179E2360E3	1	1	0	1	0	00	11	00
354	115	1703F62	7FA1C33D	0A153B096	2F3C46C1C7	0	1	1	0	0	11	00	11
355	116	0E07EC4	7F43867B	142A7612C	5E788D838E	1	0	0	0	0	01	11	00
356	117	1C0FD88	7E870CF6	0854EC259	3CF11B071C	1	1	1	1	1	01	01	11
357	118	181FB11	7D0E19ED	10A9D84B3	79E2360E38	1	0	0	1	1	11	01	01
358	119	103F622	7A1C33DA	0153B0967	73C46C1C71	0	0	0	1	0	10	11	01
359	120	007EC45	743867B5	02A7612CE	6788D838E3	0	0	0	1	1	01	10	11
360	121	00FD88B	6870CF6B	054EC259C	4F11B071C6	0	0	0	0	1	00	01	10
361	122	01FB117	50E19ED7	0A9D84B38	1E2360E38C	0	1	1	0	0	10	00	01
362	123	03F622F	21C33DAE	153B09671	3C46C1C718	0	1	0	0	1	11	10	00
363	124	07EC45F	43867B5C	0A7612CE2	788D838E30	0	1	1	1	0	01	11	10
364	125	0FD88BF	070CF6B9	14EC259C4	711B071C61	1	0	0	0	0	10	01	11



### 1.3 SECOND SET OF SAMPLE DATA

Initial values for the key, BD\_ADDR and clock

K'c2[0] = 00 K'c2[1] = 00 K'c2[2] = 00 K'c2[3] = 00  
 K'c2[4] = 00 K'c2[5] = 00 K'c2[6] = 00 K'c2[7] = 00  
 K'c2[8] = 00 K'c2[9] = 00 K'c2[10] = 00 K'c2[11] = 00  
 K'c2[12] = 00 K'c2[13] = 00 K'c2[14] = 00 K'c2[15] = 00

Addr2[0] = 00 Addr2[1] = 00 Addr2[2] = 00  
 Addr2[3] = 00 Addr2[4] = 00 Addr2[5] = 00

Clk2[0] = 00 Clk2[1] = 00 Clk2[2] = 00 Clk2[3] = 03

=====  
 Fill LFSRs with initial data  
 =====

t	clk#	LFSR1	LFSR2	LFSR3	LFSR4	X1	X2	X3	X4	Z	C[t+1]	C[t]	C[t-1]
0	0	0000000*	00000000*	000000000*	0000000000*	0	0	0	0	0	00	00	00
1	1	0000001*	00000001*	000000001*	0000000001*	0	0	0	0	0	00	00	00
2	2	0000002*	00000002*	000000002*	0000000003*	0	0	0	0	0	00	00	00
3	3	0000004*	00000004*	000000004*	0000000007*	0	0	0	0	0	00	00	00
4	4	0000008*	00000008*	000000008*	000000000E*	0	0	0	0	0	00	00	00
5	5	0000010*	00000010*	000000010*	000000001C*	0	0	0	0	0	00	00	00
6	6	0000020*	00000020*	000000020*	0000000038*	0	0	0	0	0	00	00	00
7	7	0000040*	00000040*	000000040*	0000000070*	0	0	0	0	0	00	00	00
8	8	0000080*	00000080*	000000080*	00000000E0*	0	0	0	0	0	00	00	00
9	9	0000100*	00000100*	000000100*	00000001C0*	0	0	0	0	0	00	00	00
10	10	0000200*	00000200*	000000200*	0000000380*	0	0	0	0	0	00	00	00
11	11	0000400*	00000400*	000000400*	0000000700*	0	0	0	0	0	00	00	00
12	12	0000800*	00000800*	000000800*	0000000E00*	0	0	0	0	0	00	00	00
13	13	0001000*	00001000*	000001000*	0000001C00*	0	0	0	0	0	00	00	00
14	14	0002000*	00002000*	000002000*	0000003800*	0	0	0	0	0	00	00	00
15	15	0004000*	00004000*	000004000*	0000007000*	0	0	0	0	0	00	00	00
16	16	0008000*	00008000*	000008000*	000000E000*	0	0	0	0	0	00	00	00
17	17	0010000*	00010000*	000010000*	000001C000*	0	0	0	0	0	00	00	00
18	18	0020000*	00020000*	000020000*	0000038000*	0	0	0	0	0	00	00	00
19	19	0040000*	00040000*	000040000*	0000070000*	0	0	0	0	0	00	00	00
20	20	0080000*	00080000*	000080000*	00000E0000*	0	0	0	0	0	00	00	00
21	21	0100000*	00100000*	000100000*	00001C0000*	0	0	0	0	0	00	00	00
22	22	0200000*	00200000*	000200000*	0000380000*	0	0	0	0	0	00	00	00
23	23	0400000*	00400000*	000400000*	0000700000*	0	0	0	0	0	00	00	00
24	24	0800000*	00800000*	000800000*	0000E00000*	1	1	0	0	0	01	00	00
25	25	1000000*	01000000*	001000000*	0001C00000*	0	0	0	0	0	00	00	00
26	26	0000001	02000000*	002000000*	0003800000*	0	0	0	0	0	00	00	00
27	27	0000002	04000000*	004000000*	0007000000*	0	0	0	0	0	00	00	00
28	28	0000004	08000000*	008000000*	000E000000*	0	0	0	0	0	00	00	00
29	29	0000008	10000000*	010000000*	001C000000*	0	0	0	0	0	00	00	00
30	30	0000010	20000000*	020000000*	0038000000*	0	0	0	0	0	00	00	00
31	31	0000020	40000000*	040000000*	0070000000*	0	0	0	0	0	00	00	00
32	32	0000040	00000001	080000000*	00E0000000*	0	0	1	1	0	01	00	00
33	33	0000080	00000002	100000000*	01C0000000*	0	0	0	1	1	00	00	00
34	34	0000101	00000004	000000001	0380000000*	0	0	0	1	1	00	00	00

Appendix IV - Sample Data

**Bluetooth.**

35	35	0000202	00000008	000000002	0700000000*	0	0	0	0	0	00	00	00	00
36	36	0000404	00000010	000000004	0E00000000*	0	0	0	0	0	00	00	00	00
37	37	0000808	00000020	000000008	1C00000000*	0	0	0	0	0	00	00	00	00
38	38	0001011	00000040	000000011	3800000000*	0	0	0	0	0	00	00	00	00
39	39	0002022	00000080	000000022	7000000000*	0	0	0	0	0	00	00	00	00
=====														
Start clocking Summation Combiner														
=====														
40	1	0004044	00000100	000000044	6000000001	0	0	0	0	0	00	00	00	00
41	2	0008088	00000200	000000088	4000000003	0	0	0	0	0	00	00	00	00
42	3	0010111	00000400	000000111	0000000007	0	0	0	0	0	00	00	00	00
43	4	0020222	00000800	000000222	000000000E	0	0	0	0	0	00	00	00	00
44	5	0040444	00001001	000000444	000000001D	0	0	0	0	0	00	00	00	00
45	6	0080888	00002002	000000888	000000003B	0	0	0	0	0	00	00	00	00
46	7	0101111	00004004	000001111	0000000077	0	0	0	0	0	00	00	00	00
47	8	0202222	00008008	000002222	00000000EE	0	0	0	0	0	00	00	00	00
48	9	0404444	00010011	000004444	00000001DD	0	0	0	0	0	00	00	00	00
49	10	0808888	00020022	000008888	00000003BB	1	0	0	0	1	00	00	00	00
50	11	1011110	00040044	000011111	0000000777	0	0	0	0	0	00	00	00	00
51	12	0022221	00080088	000022222	0000000EEE	0	0	0	0	0	00	00	00	00
52	13	0044442	00100110	000044444	0000001DDD	0	0	0	0	0	00	00	00	00
53	14	0088884	00200220	000088888	0000003BBB	0	0	0	0	0	00	00	00	00
54	15	0111109	00400440	000111111	0000007777	0	0	0	0	0	00	00	00	00
55	16	0222212	00800880	000222222	000000EEEE	0	1	0	0	1	00	00	00	00
56	17	0444424	01001100	000444444	000001DDDD	0	0	0	0	0	00	00	00	00
57	18	0888848	02002200	000888888	000003BBBB	1	0	0	0	1	00	00	00	00
58	19	1111090	04004400	001111110	0000077777	0	0	0	0	0	00	00	00	00
59	20	0222120	08008800	002222220	00000EEEE	0	0	0	0	0	00	00	00	00
60	21	0444240	10011000	004444440	00001DDDDD	0	0	0	0	0	00	00	00	00
61	22	0888480	20022000	008888880	00003BBBBB	1	0	0	0	1	00	00	00	00
62	23	1110900	40044000	011111100	0000777777	0	0	0	0	0	00	00	00	00
63	24	0221200	00088001	022222200	0000EEEEEE	0	0	0	0	0	00	00	00	00
64	25	0442400	00110003	044444400	0001DDDDDD	0	0	0	0	0	00	00	00	00
65	26	0884800	00220006	088888800	0003BBBBBB	1	0	1	0	0	01	00	00	00
66	27	1109000	0044000C	111111000	0007777777	0	0	0	0	1	01	01	00	00
67	28	0212001	00880018	022222001	000EEEEEEE	0	1	0	0	0	11	01	01	01
68	29	0424002	01100031	044444002	001DDDDDDC	0	0	0	0	1	01	11	01	01
69	30	0848004	02200062	088888004	003BBBBBB8	1	0	1	0	1	10	01	11	11
70	31	1090008	044000C4	111110008	0077777770	0	0	0	0	0	00	10	01	01
71	32	0120010	08800188	022220010	00EEEEEEE0	0	1	0	1	0	00	00	10	10
72	33	0240020	11000311	044440020	01DDDDDDC1	0	0	0	1	1	00	00	00	00
73	34	0480040	22000622	088880040	03BBBBBB83	0	0	1	1	0	01	00	00	00
74	35	0900081	44000C44	111100080	0777777707	1	0	0	0	0	00	01	00	00
75	36	1200103	08001888	022200101	0EEEEEEE0E	0	0	0	1	1	11	00	01	01
76	37	0400207	10003111	044400202	1DDDDDDC1D	0	0	0	1	0	01	11	00	00
77	38	080040E	20006222	088800404	3BBBBBB83B	1	0	1	1	0	01	01	11	11
78	39	100081C	4000C444	111000808	7777777077	0	0	0	0	1	10	01	01	01
79	40	0001038	00018888	022001010	6EEEEEE0EF	0	0	0	1	1	00	10	01	01
80	41	0002070	00031110	044002020	5DDDDDC1DE	0	0	0	1	1	01	00	10	10
81	42	00040E0	00062220	088004040	3BBBBB83BC	0	0	1	1	1	00	01	00	00
82	43	00081C1	000C4440	110008081	7777770779	0	0	0	0	0	11	00	01	01
83	44	0010383	00188880	020010103	6EEEEEE0EF2	0	0	0	1	0	01	11	00	00
84	45	0020707	00311100	040020206	5DDDDC1DE5	0	0	0	1	0	10	01	11	11
85	46	0040E0E	00622200	08004040C	3BBBB83BCB	0	0	1	1	0	11	10	01	01
86	47	0081C1D	00C44400	100080819	7777707797	0	1	0	0	0	00	11	10	10
87	48	010383A	01888801	000101032	6EEEEEE0EF2F	0	1	0	1	0	11	00	11	11
88	49	0207075	03111003	000202064	5DDDC1DE5E	0	0	0	1	0	01	11	00	00

Appendix IV - Sample Data

**Bluetooth.**

89	50	040E0EA	06222006	0004040C8	3BBB83BCBC	0	0	0	1	0	10	01	11
90	51	081C1D5	0C44400C	000808191	7777077979	1	0	0	0	1	00	10	01
91	52	10383AB	18888018	001010323	6EEE0EF2F2	0	1	0	1	0	00	00	10
92	53	0070756	31110030	002020646	5DDC1DE5E5	0	0	0	1	1	00	00	00
93	54	00E0EAC	62220060	004040C8C	3BB83BCBCB	0	0	0	1	1	00	00	00
94	55	01C1D59	444400C1	008081919	7770779797	0	0	0	0	0	00	00	00
95	56	0383AB2	08880183	010103232	6EE0EF2F2F	0	1	0	1	0	01	00	00
96	57	0707565	11100307	020206464	5DC1DE5E5F	0	0	0	1	0	00	01	00
97	58	0E0EACA	2220060E	04040C8C8	3B83BCBCBF	1	0	0	1	0	10	00	01
98	59	1C1D594	44400C1C	080819191	770779797E	1	0	1	0	0	00	10	00
99	60	183AB28	08801838	101032323	6E0EF2F2FC	1	1	0	0	0	00	00	10
100	61	1075650	11003070	002064647	5C1DE5E5F8	0	0	0	0	0	00	00	00
101	62	00EACA1	220060E0	0040C8C8E	383BCBCBF0	0	0	0	0	0	00	00	00
102	63	01D5943	4400C1C0	00819191D	70779797E0	0	0	0	0	0	00	00	00
103	64	03AB286	08018380	01032323A	60EF2F2FC1	0	0	0	1	1	00	00	00
104	65	075650C	10030701	020646475	41DE5E5F82	0	0	0	1	1	00	00	00
105	66	0EACA18	20060E02	040C8C8EA	03BCBCBF04	1	0	0	1	0	01	00	00
106	67	1D59430	400C1C05	0819191D4	0779797E09	1	0	1	0	1	00	01	00
107	68	1AB2861	0018380A	1032323A9	0EF2F2FC12	1	0	0	1	0	10	00	01
108	69	15650C3	00307015	006464752	1DE5E5F825	0	0	0	1	1	11	10	00
109	70	0ACA186	0060E02A	00C8C8EA4	3BCBCBF04B	1	0	0	1	1	00	11	10
110	71	159430C	00C1C055	019191D48	779797E097	0	1	0	1	0	11	00	11
111	72	0B28618	018380AA	032323A90	6F2F2FC12F	1	1	0	0	1	01	11	00
112	73	1650C30	03070154	064647520	5E5E5F825E	0	0	0	0	1	11	01	11
113	74	0CA1860	060E02A8	0C8C8EA40	3CBCBF04BC	1	0	1	1	0	11	11	01
114	75	19430C0	0C1C0550	19191D480	79797E0979	1	0	1	0	1	11	11	11
115	76	1286180	18380AA0	12323A900	72F2FC12F2	0	0	0	1	0	11	11	11
116	77	050C301	30701541	046475201	65E5F825E5	0	0	0	1	0	11	11	11
117	78	0A18602	60E02A82	08C8EA402	4BCBF04BCB	1	1	1	1	1	10	11	11
118	79	1430C04	41C05505	1191D4804	1797E09796	0	1	0	1	0	10	10	11
119	80	0861808	0380AA0A	0323A9008	2F2FC12F2C	1	1	0	0	0	01	10	10
120	81	10C3011	07015415	064752011	5E5F825E59	0	0	0	0	1	00	01	10
121	82	0186022	0E02A82A	0C8EA4022	3CBF04BCB2	0	0	1	1	0	10	00	01
122	83	030C045	1C055054	191D48044	797E097964	0	0	1	0	1	11	10	00
123	84	061808A	380AA0A8	123A90088	72FC12F2C9	0	0	0	1	0	00	11	10
124	85	0C30115	70154151	047520111	65F825E593	1	0	0	1	0	11	00	11
125	86	186022A	602A82A3	08EA40222	4BF04BCB26	1	0	1	1	0	00	11	00
126	87	10C0455	40550546	11D480444	17E097964C	0	0	0	1	1	10	00	11
127	88	01808AA	00AA0A8D	03A900888	2FC12F2C99	0	1	0	1	0	00	10	00
128	89	0301155	0154151A	075201111	5F825E5932	0	0	0	1	1	01	00	10
129	90	06022AA	02A82A34	0EA402222	3F04BCB264	0	1	1	0	1	00	01	00
130	91	0C04555	05505468	1D4804445	7E097964C9	1	0	1	0	0	10	00	01
131	92	1808AAA	0AA0A8D0	1A900888A	7C12F2C992	1	1	1	0	1	00	10	00
132	93	1011555	154151A1	152011115	7825E59324	0	0	0	0	0	01	00	10
133	94	0022AAB	2A82A342	0A402222B	704BCB2648	0	1	1	0	1	00	01	00
134	95	0045556	55054684	148044457	6097964C91	0	0	0	1	1	11	00	01
135	96	008AAAC	2A0A8D09	0900888AE	412F2C9923	0	0	1	0	0	01	11	00
136	97	0115559	54151A12	12011115D	025E593246	0	0	0	0	1	11	01	11
137	98	022AAB2	282A3424	0402222BA	04BCB2648D	0	0	0	1	0	10	11	01
138	99	0455564	50546848	080444575	097964C91A	0	0	1	0	1	01	10	11
139	100	08AAAC8	20A8D090	100888AEA	12F2C99235	1	1	0	1	0	10	01	10
140	101	1155591	4151A120	0011115D5	25E593246A	0	0	0	1	1	00	10	01
141	102	02AAB22	02A34240	002222BAA	4BCB2648D5	0	1	0	1	0	00	00	10
142	103	0555644	05468481	004445755	17964C91AB	0	0	0	1	1	00	00	00
143	104	0AAAC88	0A8D0903	00888AEAA	2F2C992357	1	1	0	0	0	01	00	00
144	105	1555911	151A1206	011115D55	5E593246AE	0	0	0	0	1	01	01	00
145	106	0AAB222	2A34240C	02222BAAA	3CB2648D5C	1	0	0	1	1	11	01	01

Appendix IV - Sample Data

**Bluetooth.**

146	107	1556445	54684818	044457555	7964C91AB8	0	0	0	0	1	01	11	01
147	108	0AAC88B	28D09030	0888AEAAA	72C9923571	1	1	1	1	1	01	01	11
148	109	1559117	51A12060	11115D555	6593246AE2	0	1	0	1	1	11	01	01
149	110	0AB222F	234240C0	0222BAAAB	4B2648D5C5	1	0	0	0	0	10	11	01
150	111	156445F	46848180	044575557	164C91AB8A	0	1	0	0	1	01	10	11
151	112	0AC88BF	0D090301	088AEAAAE	2C99235714	1	0	1	1	0	10	01	10
152	113	159117F	1A120602	1115D555D	593246AE28	0	0	0	0	0	00	10	01
153	114	0B222FE	34240C04	022BAAABA	32648D5C51	1	0	0	0	1	01	00	10
154	115	16445FD	68481809	045755574	64C91AB8A2	0	0	0	1	0	00	01	00
155	116	0C88BFA	50903012	08AEAAAE8	4992357144	1	1	1	1	0	01	00	01
156	117	19117F5	21206024	115D555D1	13246AE288	1	0	0	0	0	00	01	00
157	118	1222FEA	4240C048	02BAAABA2	2648D5C511	0	0	0	0	0	11	00	01
158	119	0445FD5	04818090	057555744	4C91AB8A23	0	1	0	1	1	01	11	00
159	120	088BFAA	09030120	0AEAAAE88	1923571446	1	0	1	0	1	10	01	11
160	121	1117F55	12060240	15D555D11	3246AE288D	0	0	0	0	0	00	10	01
161	122	022FEAA	240C0480	0BAAABA22	648D5C511B	0	0	1	1	0	00	00	10
162	123	045FD54	48180900	175557444	491AB8A237	0	0	0	0	0	00	00	00
163	124	08BF9A9	10301200	0EAAAE889	123571446F	1	0	1	0	0	01	00	00
164	125	117F553	20602400	1D555D113	246AE288DF	0	0	1	0	0	00	01	00
165	126	02FEAA7	40C04800	1AAABA227	48D5C511BE	0	1	1	1	1	10	00	01
166	127	05FD54F	01809001	15557444F	11AB8A237D	0	1	0	1	0	00	10	00
167	128	0BF9A9F	03012002	0AAAE889E	23571446FA	1	0	1	0	0	00	00	10
168	129	17F553F	06024004	1555D113D	46AE288DF5	0	0	0	1	1	00	00	00
169	130	0FEAA7E	0C048008	0AABA227A	0D5C511BEA	1	0	1	0	0	01	00	00
170	131	1FD54FC	18090011	1557444F5	1AB8A237D5	1	0	0	1	1	00	01	00
171	132	1FAA9F9	30120022	0AAE889EB	3571446FAA	1	0	1	0	0	10	00	01
172	133	1F553F2	60240044	155D113D7	6AE288DF55	1	0	0	1	0	00	10	00
173	134	1EAA7E4	40480089	0ABA227AE	55C511BEAA	1	0	1	1	1	00	00	10
174	135	1D54FC9	00900113	157444F5D	2B8A237D54	1	1	0	1	1	01	00	00
175	136	1AA9F93	01200227	0AE889EBA	571446FAA8	1	0	1	0	1	00	01	00
176	137	1553F26	0240044E	15D113D75	2E288DF550	0	0	0	0	0	11	00	01
177	138	0AA7E4C	0480089C	0BA227AEA	5C511BEAA0	1	1	1	0	0	00	11	00
178	139	154FC98	09001138	17444F5D4	38A237D540	0	0	0	1	1	10	00	11
179	140	0A9F931	12002270	0E889EBA9	71446FAA81	1	0	1	0	0	00	10	00
180	141	153F262	240044E0	1D113D753	6288DF5503	0	0	1	1	0	00	00	10
181	142	0A7E4C5	480089C0	1A227AEA7	4511BEAA06	1	0	1	0	0	01	00	00
182	143	14FC98B	10011381	1444F5D4F	0A237D540D	0	0	0	0	1	01	01	00
183	144	09F9316	20022702	0889EBA9E	1446FAA81A	1	0	1	0	1	11	01	01
184	145	13F262D	40044E04	1113D753D	288DF55035	0	0	0	1	0	10	11	01
185	146	07E4C5A	00089C08	0227AEA7A	511BEAA06A	0	0	0	0	0	01	10	11
186	147	0FC98B4	00113810	044F5D4F5	2237D540D5	1	0	0	0	0	01	01	10
187	148	1F93169	00227021	089EBA9EB	446FAA81AA	1	0	1	0	1	11	01	01
188	149	1F262D2	0044E042	113D753D7	08DF550355	1	0	0	1	1	10	11	01
189	150	1E4C5A4	0089C085	027AEA7AE	11BEAA06AA	1	1	0	1	1	10	10	11
190	151	1C98B48	0113810A	04F5D4F5C	237D540D54	1	0	0	0	1	10	10	10
191	152	1931691	02270215	09EBA9EB8	46FAA81AA9	1	0	1	1	1	01	10	10
192	153	1262D22	044E042A	13D753D71	0DF5503553	0	0	0	1	0	01	01	10
193	154	04C5A44	089C0854	07AEA7AE2	1BEAA06AA7	0	1	0	1	1	11	01	01
194	155	098B488	113810A8	0F5D4F5C4	37D540D54E	1	0	1	1	0	11	11	01
195	156	1316910	22702150	1EBA9EB89	6FAA81AA9D	0	0	1	1	1	11	11	11
196	157	062D220	44E042A0	1D753D712	5F5503553A	0	1	1	0	1	11	11	11
197	158	0C5A440	09C08540	1AEA7AE25	3EAA06AA75	1	1	1	1	1	10	11	11
198	159	18B4880	13810A80	15D4F5C4B	7D540D54EA	1	1	0	0	0	10	10	11
199	160	1169100	27021500	0BA9EB897	7AA81AA9D5	0	0	1	1	0	01	10	10
200	161	02D2201	4E042A00	1753D712E	75503553AB	0	0	0	0	1	00	01	10
201	162	05A4403	1C085400	0EA7AE25C	6AA06AA756	0	0	1	1	0	10	00	01
202	163	0B48807	3810A800	1D4F5C4B8	5540D54EAC	1	0	1	0	0	00	10	00

Appendix IV - Sample Data

**Bluetooth.**

203	164	169100F	70215000	1A9EB8971	2A81AA9D58	0	0	1	1	0	00	00	10
204	165	0D2201E	6042A001	153D712E3	5503553AB0	1	0	0	0	1	00	00	00
205	166	1A4403C	40854002	0A7AE25C6	2A06AA7561	1	1	1	0	1	01	00	00
206	167	1488079	010A8004	14F5C4B8D	540D54EAC3	0	0	0	0	1	01	01	00
207	168	09100F2	02150009	09EB8971B	281AA9D586	1	0	1	0	1	11	01	01
208	169	12201E5	042A0012	13D712E37	503553AB0C	0	0	0	0	1	01	11	01
209	170	04403CA	08540024	07AE25C6E	206AA75618	0	0	0	0	1	11	01	11
210	171	0880795	10A80048	0F5C4B8DD	40D54EAC30	1	1	1	1	1	11	11	01
211	172	1100F2A	21500091	1EB8971BA	01AA9D5861	0	0	1	1	1	11	11	11
212	173	0201E54	42A00122	1D712E374	03553AB0C3	0	1	1	0	1	11	11	11
213	174	0403CA9	05400244	1AE25C6E9	06AA756186	0	0	1	1	1	11	11	11
214	175	0807952	0A800488	15C4B8DD3	0D54EAC30D	1	1	0	0	1	11	11	11
215	176	100F2A5	15000911	0B8971BA6	1AA9D5861A	0	0	1	1	1	11	11	11
216	177	001E54A	2A001223	1712E374C	3553AB0C35	0	0	0	0	1	00	11	11
217	178	003CA94	54002446	0E25C6E98	6AA756186A	0	0	1	1	0	11	00	11
218	179	0079528	2800488D	1C4B8DD31	554EAC30D5	0	0	1	0	0	01	11	00
219	180	00F2A50	5000911B	18971BA62	2A9D5861AA	0	0	1	1	1	10	01	11
220	181	01E54A0	20012236	112E374C4	553AB0C355	0	0	0	0	0	00	10	01
221	182	03CA940	4002446C	025C6E988	2A756186AA	0	0	0	0	0	01	00	10
222	183	0795280	000488D9	04B8DD310	54EAC30D54	0	0	0	1	0	00	01	00
223	184	0F2A500	000911B2	0971BA620	29D5861AA8	1	0	1	1	1	10	00	01
224	185	1E54A00	00122364	12E374C40	53AB0C3550	1	0	0	1	0	00	10	00
225	186	1CA9400	002446C8	05C6E9880	2756186AA0	1	0	0	0	1	01	00	10
226	187	1952800	00488D90	0B8DD3101	4EAC30D540	1	0	1	1	0	11	01	00
227	188	12A5000	00911B20	171BA6202	1D5861AA81	0	1	0	0	0	10	11	01
228	189	054A000	01223640	0E374C404	3AB0C35502	0	0	1	1	0	10	10	11
229	190	0A94000	02446C80	1C6E98808	756186AA05	1	0	1	0	0	01	10	10
230	191	1528001	0488D901	18DD31011	6AC30D540B	0	1	1	1	0	10	01	10
231	192	0A50003	0911B203	11BA62023	55861AA817	1	0	0	1	0	11	10	01
232	193	14A0006	12236407	0374C4047	2B0C35502F	0	0	0	0	1	11	11	10
233	194	094000C	2446C80E	06E98808E	56186AA05F	1	0	0	0	0	11	11	11
234	195	1280018	488D901C	0DD31011D	2C30D540BF	0	1	1	0	1	11	11	11
235	196	0500030	111B2039	1BA62023A	5861AA817E	0	0	1	0	0	11	11	11
236	197	0A00060	22364072	174C40475	30C35502FD	1	0	0	1	1	11	11	11
237	198	14000C0	446C80E4	0E98808EA	6186AA05FB	0	0	1	1	1	11	11	11
238	199	0800180	08D901C8	1D31011D5	430D540BF6	1	1	1	0	0	10	11	11
239	200	1000301	11B20391	1A62023AB	061AA817EC	0	1	1	0	0	10	10	11

- Z[0] = 25
- Z[1] = 45
- Z[2] = 6B
- Z[3] = 55
- Z[4] = 5F
- Z[5] = C2
- Z[6] = 20
- Z[7] = E5
- Z[8] = C4
- Z[9] = F8
- Z[10] = 3A
- Z[11] = F1
- Z[12] = FF
- Z[13] = 89
- Z[14] = 02
- Z[15] = 35

=====  
 Reload this pattern into the LFSRs

Appendix IV - Sample Data



Hold content of Summation Combiner regs and calculate new C[t+1] and Z values

```

=====
LFSR1  <= 1C45F25
LFSR2  <= 7FF8C245
LFSR3  <= 1893A206B
LFSR4  <= 1A02F1E555
C[t+1] <= 10

```

Generating 125 key symbols (encryption/decryption sequence)

```

=====
240  1  1C45F25  7FF8C245  1893A206B  1A02F1E555  1 1 1 0  1 10  10 11
241  2  188BE4A  7FF1848B  1127440D7  3405E3CAAB  1 1 0 0  0 01  10 10
242  3  1117C95  7FE30917  024E881AF  680BC79557  0 1 0 0  0 01  01 10
243  4  022F92B  7FC6122F  049D1035E  50178F2AAF  0 1 0 0  0 11  01 01
244  5  045F257  7F8C245E  093A206BD  202F1E555E  0 1 1 0  1 10  11 01
245  6  08BE4AE  7F1848BC  127440D7A  405E3CAABC  1 0 0 0  1 01  10 11
246  7  117C95C  7E309178  04E881AF4  00BC795579  0 0 0 1  0 01  01 10
247  8  02F92B8  7C6122F0  09D1035E8  0178F2AAF2  0 0 1 0  0 11  01 01
248  9  05F2570  78C245E1  13A206BD0  02F1E555E5  0 1 0 1  1 10  11 01
249  10 0BE4AE1  71848BC2  07440D7A0  05E3CAABCA  1 1 0 1  1 10  10 11
250  11 17C95C3  63091784  0E881AF40  0BC7955795  0 0 1 1  0 01  10 10
251  12 0F92B87  46122F09  1D1035E80  178F2AAF2B  1 0 1 1  0 10  01 10
252  13 1F2570F  0C245E12  1A206BD01  2F1E555E56  1 0 1 0  0 11  10 01
253  14 1E4AE1F  1848BC25  1440D7A03  5E3CAABCAC  1 0 0 0  0 00  11 10
254  15 1C95C3E  3091784A  0881AF407  3C79557958  1 1 1 0  1 11  00 11
255  16 192B87D  6122F094  11035E80F  78F2AAF2B1  1 0 0 1  1 01  11 00
256  17 12570FA  4245E128  0206BD01E  71E555E562  0 0 0 1  0 10  01 11
257  18 04AE1F4  048BC250  040D7A03D  63CAABCAC5  0 1 0 1  0 11  10 01
258  19 095C3E8  091784A0  081AF407A  479557958A  1 0 1 1  0 01  11 10
259  20 12B87D1  122F0941  1035E80F4  0F2AAF2B14  0 0 0 0  1 11  01 11
260  21 0570FA3  245E1283  006BD01E9  1E555E5628  0 0 0 0  1 01  11 01
261  22 0AE1F46  48BC2506  00D7A03D2  3CAABCAC50  1 1 0 1  0 01  01 11
262  23 15C3E8C  11784A0C  01AF407A5  79557958A0  0 0 0 0  1 10  01 01
263  24 0B87D18  22F09419  035E80F4A  72AAF2B140  1 1 0 1  1 11  10 01
264  25 170FA30  45E12832  06BD01E94  6555E56280  0 1 0 0  0 00  11 10
265  26 0E1F460  0BC25065  0D7A03D28  4AABCAC501  1 1 1 1  0 00  00 11
266  27 1C3E8C0  1784A0CB  1AF407A50  1557958A03  1 1 1 0  1 01  00 00
267  28 187D181  2F094196  15E80F4A0  2AAF2B1406  1 0 0 1  1 00  01 00
268  29 10FA302  5E12832C  0BD01E941  555E56280C  0 0 1 0  1 11  00 01
269  30 01F4604  3C250658  17A03D283  2ABCAC5019  0 0 0 1  0 01  11 00
270  31 03E8C09  784A0CB0  0F407A506  557958A033  0 0 1 0  0 10  01 11
271  32 07D1812  70941960  1E80F4A0C  2AF2B14066  0 1 1 1  1 11  10 01
272  33 0FA3024  612832C1  1D01E9419  55E56280CD  1 0 1 1  0 01  11 10
273  34 1F46049  42506583  1A03D2832  2BCAC5019A  1 0 1 1  0 01  01 11
274  35 1E8C093  04A0CB07  1407A5065  57958A0335  1 1 0 1  0 00  01 01
275  36 1D18127  0941960F  080F4A0CB  2F2B14066B  1 0 1 0  0 10  00 01
276  37 1A3024F  12832C1F  101E94196  5E56280CD7  1 1 0 0  0 00  10 00
277  38 146049F  2506583E  003D2832C  3CAC5019AE  0 0 0 1  1 01  00 10
278  39 08C093E  4A0CB07D  007A50658  7958A0335D  1 0 0 0  0 00  01 00
279  40 118127C  141960FA  00F4A0CB0  72B14066BA  0 0 0 1  1 11  00 01
280  41 03024F8  2832C1F4  01E941961  656280CD74  0 0 0 0  1 10  11 00
281  42 06049F1  506583E9  03D2832C2  4AC5019AE9  0 0 0 1  1 01  10 11
282  43 0C093E2  20CB07D2  07A506585  158A0335D3  1 1 0 1  0 10  01 10
283  44 18127C5  41960FA5  0F4A0CB0B  2B14066BA7  1 1 1 0  1 11  10 01
284  45 1024F8A  032C1F4B  1E9419616  56280CD74F  0 0 1 0  0 00  11 10
285  46 0049F15  06583E97  1D2832C2C  2C5019AE9F  0 0 1 0  1 10  00 11

```

Appendix IV - Sample Data

**Bluetooth.**

286	47	0093E2B	0CB07D2F	1A5065859	58A0335D3E	0	1	1	1	1	00	10	00
287	48	0127C56	1960FA5E	14A0CB0B2	314066BA7D	0	0	0	0	0	01	00	10
288	49	024F8AD	32C1F4BC	094196164	6280CD74FB	0	1	1	1	0	11	01	00
289	50	049F15A	6583E978	12832C2C8	45019AE9F6	0	1	0	0	0	10	11	01
290	51	093E2B5	4B07D2F0	050658591	0A0335D3ED	1	0	0	0	1	01	10	11
291	52	127C56B	160FA5E0	0A0CB0B22	14066BA7DA	0	0	1	0	0	01	01	10
292	53	04F8AD7	2C1F4BC1	141961645	280CD74FB5	0	0	0	0	1	10	01	01
293	54	09F15AF	583E9783	0832C2C8A	5019AE9F6A	1	0	1	0	0	11	10	01
294	55	13E2B5E	307D2F06	106585915	20335D3ED5	0	0	0	0	1	11	11	10
295	56	07C56BD	60FA5E0D	00CB0B22B	4066BA7DAA	0	1	0	0	0	11	11	11
296	57	0F8AD7A	41F4BC1B	019616457	00CD74FB54	1	1	0	1	0	10	11	11
297	58	1F15AF4	03E97836	032C2C8AF	019AE9F6A9	1	1	0	1	1	10	10	11
298	59	1E2B5E9	07D2F06C	06585915E	0335D3ED52	1	1	0	0	0	01	10	10
299	60	1C56BD2	0FA5E0D8	0CB0B22BC	066BA7DAA4	1	1	1	0	0	10	01	10
300	61	18AD7A5	1F4BC1B0	196164578	0CD74FB549	1	0	1	1	1	11	10	01
301	62	115AF4B	3E978361	12C2C8AF0	19AE9F6A92	0	1	0	1	1	00	11	10
302	63	02B5E96	7D2F06C2	0585915E0	335D3ED524	0	0	0	0	0	10	00	11
303	64	056BD2D	7A5E0D85	0B0B22BC1	66BA7DAA49	0	0	1	1	0	00	10	00
304	65	0AD7A5B	74BC1B0A	161645783	4D74FB5493	1	1	0	0	0	00	00	10
305	66	15AF4B6	69783615	0C2C8AF07	1AE9F6A926	0	0	1	1	0	01	00	00
306	67	0B5E96D	52F06C2B	185915E0F	35D3ED524C	1	1	1	1	1	11	01	00
307	68	16BD2DB	25E0D857	10B22BC1F	6BA7DAA499	0	1	0	1	1	10	11	01
308	69	0D7A5B7	4BC1B0AF	01645783F	574FB54933	1	1	0	0	0	10	10	11
309	70	1AF4B6F	1783615F	02C8AF07F	2E9F6A9266	1	1	0	1	1	01	10	10
310	71	15E96DF	2F06C2BF	05915E0FF	5D3ED524CC	0	0	0	0	1	00	01	10
311	72	0BD2DBF	5E0D857F	0B22BC1FE	3A7DAA4998	1	0	1	0	0	10	00	01
312	73	17A5B7F	3C1B0AFE	1645783FD	74FB549331	0	0	0	1	1	11	10	00
313	74	0F4B6FF	783615FD	0C8AF07FA	69F6A92662	1	0	1	1	0	01	11	10
314	75	1E96DFF	706C2BFB	1915E0FF5	53ED524CC4	1	0	1	1	0	01	01	11
315	76	1D2DBFE	60D857F6	122BC1FEB	27DAA49988	1	1	0	1	0	00	01	01
316	77	1A5B7FD	41B0AFEC	045783FD7	4FB5493310	1	1	0	1	1	10	00	01
317	78	14B6FFA	03615FD8	08AF07FAE	1F6A926620	0	0	1	0	1	11	10	00
318	79	096DFF4	06C2BFB1	115E0FF5D	3ED524CC40	1	1	0	1	0	01	11	10
319	80	12DBFE8	0D857F63	02BC1FEBB	7DAA499881	0	1	0	1	1	10	01	11
320	81	05B7FD0	1B0AFEC6	05783FD77	7B54933103	0	0	0	0	0	00	10	01
321	82	0B6FFA1	3615FD8C	0AF07FAEF	76A9266206	1	0	1	1	1	00	00	10
322	83	16DFF42	6C2BFB18	15E0FF5DE	6D524CC40C	0	0	0	0	0	00	00	00
323	84	0DBFE85	5857F631	0BC1FEBBD	5AA4998819	1	0	1	1	1	01	00	00
324	85	1B7FD0B	30AFEC62	1783FD77A	3549331033	1	1	0	0	1	00	01	00
325	86	16FFA16	615FD8C5	0F07FAEF5	6A92662067	0	0	1	1	0	10	00	01
326	87	0DFF42D	42BFB18B	1E0FF5DEA	5524CC40CE	1	1	1	0	1	00	10	00
327	88	1BFE85B	057F6317	1C1FEBBD5	2A4998819C	1	0	1	0	0	00	00	10
328	89	17FD0B7	0AFEC62E	183FD77AA	5493310339	0	1	1	1	1	01	00	00
329	90	0FFA16F	15FD8C5C	107FAEF55	2926620672	1	1	0	0	1	00	01	00
330	91	1FF42DF	2BFB18B9	00FF5DEAA	524CC40CE5	1	1	0	0	0	10	00	01
331	92	1FE85BF	57F63172	01FEBBD55	24998819CA	1	1	0	1	1	00	10	00
332	93	1FD0B7F	2FEC62E4	03FD77AAA	4933103394	1	1	0	0	0	00	00	10
333	94	1FA16FF	5FD8C5C9	07FAEF555	1266206728	1	1	0	0	0	01	00	00
334	95	1F42DFF	3FB18B93	0FF5DEAAA	24CC40CE51	1	1	1	1	1	11	01	00
335	96	1E85BFF	7F631727	1FEBBD554	4998819CA3	1	0	1	1	0	11	11	01
336	97	1D0B7FE	7EC62E4F	1FD77AAA9	1331033947	1	1	1	0	0	10	11	11
337	98	1A16FFC	7D8C5C9F	1FAEF5553	266206728E	1	1	1	0	1	10	10	11
338	99	142DFF9	7B18B93F	1F5DEAAA7	4CC40CE51D	0	0	1	1	0	01	10	10
339	100	085BFF3	7631727F	1EBBD554E	198819CA3B	1	0	1	1	0	10	01	10
340	101	10B7FE6	6C62E4FF	1D77AAA9C	3310339477	0	0	1	0	1	00	10	01
341	102	016FFCC	58C5C9FE	1AEF55538	66206728EE	0	1	1	0	0	00	00	10
342	103	02DFF98	318B93FC	15DEAAA70	4C40CE51DC	0	1	0	0	1	00	00	00

Appendix IV - Sample Data

**Bluetooth.**

343	104	05BFF31	631727F8	0BBD554E1	18819CA3B9	0	0	1	1	0	01	00	00
344	105	0B7FE62	462E4FF1	177AAA9C2	3103394772	1	0	0	0	0	00	01	00
345	106	16FFCC5	0C5C9FE2	0EF555384	6206728EE4	0	0	1	0	1	11	00	01
346	107	0DFF98A	18B93FC4	1DEAAA709	440CE51DC9	1	1	1	0	0	00	11	00
347	108	1BFF315	31727F88	1BD554E12	0819CA3B93	1	0	1	0	0	11	00	11
348	109	17FE62A	62E4FF11	17AAA9C24	1033947726	0	1	0	0	0	01	11	00
349	110	0FFCC54	45C9FE22	0F5553849	206728EE4C	1	1	1	0	0	01	01	11
350	111	1FF98A8	0B93FC44	1EAAA7093	40CE51DC99	1	1	1	1	1	00	01	01
351	112	1FF3150	1727F889	1D554E127	019CA3B933	1	0	1	1	1	10	00	01
352	113	1FE62A0	2E4FF112	1AAA9C24F	0339477267	1	0	1	0	0	00	10	00
353	114	1FCC541	5C9FE225	15553849E	06728EE4CF	1	1	0	0	0	00	00	10
354	115	1F98A82	393FC44B	0AAA7093C	0CE51DC99F	1	0	1	1	1	01	00	00
355	116	1F31504	727F8897	1554E1279	19CA3B933E	1	0	0	1	1	00	01	00
356	117	1E62A09	64FF112F	0AA9C24F2	339477267D	1	1	1	1	0	01	00	01
357	118	1CC5412	49FE225E	1553849E4	6728EE4CFB	1	1	0	0	1	00	01	00
358	119	198A824	13FC44BC	0AA7093C9	4E51DC99F7	1	1	1	0	1	10	00	01
359	120	1315049	27F88979	154E12792	1CA3B933EE	0	1	0	1	0	00	10	00
360	121	062A093	4FF112F3	0A9C24F24	39477267DC	0	1	1	0	0	00	00	10
361	122	0C54127	1FE225E6	153849E48	728EE4CFB8	1	1	0	1	1	01	00	00
362	123	18A824E	3FC44BCD	0A7093C91	651DC99F71	1	1	1	0	0	11	01	00
363	124	115049C	7F88979A	14E127922	4A3B933EE2	0	1	0	0	0	10	11	01
364	125	02A0938	7F112F35	09C24F244	1477267DC5	0	0	1	0	1	01	10	11



### 1.4 THIRD SET OF SAMPLES

Initial values for the key, pan address and clock

K'c3[0] = FF K'c3[1] = FF K'c3[2] = FF K'c3[3] = FF  
 K'c3[4] = FF K'c3[5] = FF K'c3[6] = FF K'c3[7] = FF  
 K'c3[8] = FF K'c3[9] = FF K'c3[10] = FF K'c3[11] = FF  
 K'c3[12] = FF K'c3[13] = FF K'c3[14] = FF K'c3[15] = FF

Addr3[0] = FF Addr3[1] = FF Addr3[2] = FF  
 Addr3[3] = FF Addr3[4] = FF Addr3[5] = FF

Clk3[0] = FF Clk3[1] = FF Clk3[2] = FF Clk3[3] = 03

=====  
 Fill LFSRs with initial data  
 =====

t	clk#	LFSR1	LFSR2	LFSR3	LFSR4	X1	X2	X3	X4	Z	C[t+1]	C[t]	C[t-1]
0	0	0000000*	00000000*	000000000*	0000000000*	0	0	0	0	0	00	00	00
1	1	0000001*	00000001*	000000001*	0000000001*	0	0	0	0	0	00	00	00
2	2	0000003*	00000002*	000000003*	0000000003*	0	0	0	0	0	00	00	00
3	3	0000007*	00000004*	000000007*	0000000007*	0	0	0	0	0	00	00	00
4	4	000000F*	00000009*	00000000F*	000000000F*	0	0	0	0	0	00	00	00
5	5	000001F*	00000013*	00000001F*	000000001F*	0	0	0	0	0	00	00	00
6	6	000003F*	00000027*	00000003F*	000000003F*	0	0	0	0	0	00	00	00
7	7	000007F*	0000004F*	00000007F*	000000007F*	0	0	0	0	0	00	00	00
8	8	00000FF*	0000009F*	0000000FF*	00000000FF*	0	0	0	0	0	00	00	00
9	9	00001FF*	0000013F*	0000001FF*	00000001FF*	0	0	0	0	0	00	00	00
10	10	00003FF*	0000027F*	0000003FF*	00000003FF*	0	0	0	0	0	00	00	00
11	11	00007FF*	000004FF*	0000007FF*	00000007FF*	0	0	0	0	0	00	00	00
12	12	0000FFF*	000009FF*	000000FFF*	0000000FFF*	0	0	0	0	0	00	00	00
13	13	0001FFF*	000013FF*	000001FFF*	0000001FFF*	0	0	0	0	0	00	00	00
14	14	0003FFF*	000027FF*	000003FFF*	0000003FFF*	0	0	0	0	0	00	00	00
15	15	0007FFF*	00004FFF*	000007FFF*	0000007FFF*	0	0	0	0	0	00	00	00
16	16	000FFFF*	00009FFF*	00000FFFF*	000000FFFF*	0	0	0	0	0	00	00	00
17	17	001FFFF*	00013FFF*	00001FFFF*	000001FFFF*	0	0	0	0	0	00	00	00
18	18	003FFFF*	00027FFF*	00003FFFF*	000003FFFF*	0	0	0	0	0	00	00	00
19	19	007FFFF*	0004FFF*	00007FFFF*	000007FFFF*	0	0	0	0	0	00	00	00
20	20	00FFFFFF*	0009FFF*	0000FFFFFF*	00000FFFFFF*	0	0	0	0	0	00	00	00
21	21	01FFFFFF*	0013FFF*	0001FFFFFF*	00001FFFFFF*	0	0	0	0	0	00	00	00
22	22	03FFFFFF*	0027FFF*	0003FFFFFF*	00003FFFFFF*	0	0	0	0	0	00	00	00
23	23	07FFFFFF*	004FFF*	0007FFFFFF*	00007FFFFFF*	0	0	0	0	0	00	00	00
24	24	0FFFFFF*	009FFF*	000FFFFFF*	0000FFFFFF*	1	1	0	0	0	01	00	00
25	25	1FFFFFF*	013FFF*	001FFFFFF*	0001FFFFFF*	1	0	0	0	1	00	00	00
26	26	1FFFFFF*	027FFF*	003FFFFFF*	0003FFFFFF*	1	0	0	0	1	00	00	00
27	27	1FFFFFF*	04FFF*	007FFFFFF*	0007FFFFFF*	1	1	0	0	0	01	00	00
28	28	1FFFFFF*	09FFF*	00FFFFFF*	000FFFFFF*	1	1	0	0	0	01	00	00
29	29	1FFFFFF*	13FFF*	01FFFFFF*	001FFFFFF*	1	1	0	0	0	01	00	00
30	30	1FFFFFF*	27FFF*	03FFFFFF*	003FFFFFF*	1	1	0	0	0	01	00	00
31	31	1FFFFFF*	4FFF*	07FFFFFF*	007FFFFFF*	1	1	0	0	0	01	00	00
32	32	1FFFFFF*	1FFF*	0FFFFFF*	00FFFFFF*	1	1	1	1	0	10	00	00
33	33	1FFFFFF*	3FFF*	1FFFFFF*	01FFFFFF*	1	1	1	1	0	10	00	00
34	34	1FFFFFF*	7FFF*	1FFFFFF*	03FFFFFF*	1	1	1	1	0	10	00	00

Appendix IV - Sample Data

**Bluetooth.**

35	35	1FFFFFF	7FFFFFF9	1FFFFFFF	07FFFFFFF*	1	1	1	1	0	10	00	00
36	36	1FFFFFF	7FFFFFF3	1FFFFFFF	0FFFFFFF*	1	1	1	1	0	10	00	00
37	37	1FFFFFF	7FFFFFFE7	1FFFFFFF	1FFFFFFF*	1	1	1	1	0	10	00	00
38	38	1FFFFFF	7FFFFFFCF	1FFFFFFF	3FFFFFFF*	1	1	1	1	0	10	00	00
39	39	1FFFFFF	7FFFFFF9F	1FFFFFFF	7FFFFFFF*	1	1	1	1	0	10	00	00

=====  
 Start clocking Summation Combiner  
 =====

40	1	1FFFFFF	7FFFFF3F	1FFFFFFF	7FFFFFFF	1	1	1	1	0	01	10	00
41	2	1FFFFFF	7FFFFE7F	1FFFFFFF	7FFFFFFF	1	1	1	1	1	10	01	10
42	3	1FFFFFF	7FFFFCF	1FFFFFFF	7FFFFFFF	1	1	1	1	0	10	10	01
43	4	1FFFFFF	7FFFF9FF	1FFFFFFF	7FFFFFFF	1	1	1	1	0	00	10	10
44	5	1FFFFFF	7FFFF3FF	1FFFFFFF	7FFFFFFF	1	1	1	1	0	11	00	10
45	6	1FFFFFF	7FFE7FE	1FFFFFFF	7FFFFFFF	1	1	1	1	1	00	11	00
46	7	1FFFFFF	7FFCFFC	1FFFFFFF	7FFFFFFF	1	1	1	1	0	00	00	11
47	8	1FFFFFF	7FF9FF9	1FFFFFFF	7FFFFFFF	1	1	1	1	0	10	00	00
48	9	1FFFFFF	7FF3FF3	1FFFFFFF	7FFFFFFF	1	1	1	1	0	01	10	00
49	10	1FFFFFF	7FFE7FE6	1FFFFFFF	7FFFFFFF	1	1	1	1	1	10	01	10
50	11	1FFFFE	7FFCFFC	1FFFFFFF	7FFFFFFF	1	1	1	1	0	10	10	01
51	12	1FFFFC	7FF9FF9	1FFFFF	7FFFFFFF	1	1	1	1	0	00	10	10
52	13	1FFFF8	7FF3FF3	1FFFFF	7FFFFFFF	1	1	1	1	0	11	00	10
53	14	1FFFF0	7FE7FE67	1FFFFF	7FFFFFFF	1	1	1	1	1	00	11	00
54	15	1FFFFE0	7FCFFCC	1FFFFF	7FFFFFFF	1	1	1	1	0	00	00	11
55	16	1FFFFC0	7F9FF99	1FFFFF	7FFFFFFF	1	1	1	1	0	10	00	00
56	17	1FFFF80	7F3FF33E	1FFFFF	7FFFFFFE	1	0	1	1	1	00	10	00
57	18	1FFFF00	7E7FE67C	1FFFFF	7FFFFFFC	1	0	1	1	1	00	00	10
58	19	1FFFE01	7CFFCCF8	1FFFE1E	7FFFFFFF	1	1	1	1	0	10	00	00
59	20	1FFFC03	79FF99F0	1FFFC3C	7FFFFFFF	1	1	1	1	0	01	10	00
60	21	1FFF807	73FF33E0	1FFF878	7FFFFFFE1	1	1	1	1	1	10	01	10
61	22	1FFF00F	67FE67C0	1FFF0F0	7FFFFFFC3	1	1	1	1	0	10	10	01
62	23	1FFE01E	4FFCCF80	1FFE1E1	7FFFFFF87	1	1	1	1	0	00	10	10
63	24	1FFC03C	1FF99F00	1FFFC3C3	7FFFFFF0F	1	1	1	1	0	11	00	10
64	25	1FF8078	3FF33E01	1FFF8787	7FFFFFFE1E	1	1	1	1	1	00	11	00
65	26	1FF00F0	7FE67C02	1FFF0F0F	7FFFFFFC3C	1	1	1	1	0	00	00	11
66	27	1FE01E1	7CFF805	1FFE1E1E	7FFFFFF878	1	1	1	1	0	10	00	00
67	28	1FC03C3	7F99F00A	1FFFC3C3C	7FFFFFF0F0	1	1	1	1	0	01	10	00
68	29	1F80787	7F33E015	1FFF87878	7FFFFFFE1E1	1	0	1	1	0	10	01	10
69	30	1F00F0F	7E67C02A	1FFF0F0F0	7FFFFFFC3C3	1	0	1	1	1	11	10	01
70	31	1E01E1E	7CCF8054	1FE1E1E1	7FFFFFF8787	1	1	1	1	1	01	11	10
71	32	1C03C3C	799F00A9	1FFC3C3C3	7FFFFFF0F0F	1	1	1	1	1	01	01	11
72	33	1807878	733E0152	1FF878787	7FFFFFFE1E1E	1	0	1	1	0	00	01	01
73	34	100F0F0	667C02A5	1FF0F0F0F	7FFF87878	0	0	1	1	0	10	00	01
74	35	001E1E0	4CF8054B	1FE1E1E1F	7FFF87878	0	1	1	1	1	00	10	00
75	36	003C3C1	19F00A96	1FC3C3C3F	7FFF0F0F0	0	1	1	1	1	00	00	10
76	37	0078783	33E0152C	1F878787F	7FFE1E1E1	0	1	1	1	1	01	00	00
77	38	00F0F07	67C02A59	1F0F0F0FF	7FFC3C3C3	0	1	1	1	0	11	01	00
78	39	01E1E0E	4F8054B3	1E1E1E1FF	7FFF87878	0	1	1	1	0	11	11	01
79	40	03C3C1C	1F00A966	1C3C3C3FF	7FFF0F0F0F	0	0	1	1	1	11	11	11
80	41	0787838	3E0152CC	1878787FF	7FE1E1E1E	0	0	1	1	1	11	11	11
81	42	0F0F070	7C02A598	10F0F0FFF	7FFC3C3C3C	1	0	0	1	1	11	11	11
82	43	1E1E0E0	78054B30	01E1E1FFF	7FF8787878	1	0	0	1	1	11	11	11
83	44	1C3C1C0	700A9660	03C3C3FFE	7FF0F0F0F0	1	0	0	1	1	11	11	11
84	45	1878380	60152CC0	078787FFC	7FE1E1E1E0	1	0	0	1	1	11	11	11
85	46	10F0700	402A5980	0F0F0FFF8	7FC3C3C3C0	0	0	1	1	1	11	11	11
86	47	01E0E00	0054B300	1E1E1FFF0	7F87878780	0	0	1	1	1	11	11	11
87	48	03C1C00	00A96601	1C3C3FFE0	7F0F0F0F00	0	1	1	0	1	11	11	11
88	49	0783800	0152CC03	18787FFC0	7E1E1E1E01	0	0	1	0	0	11	11	11

Appendix IV - Sample Data

**Bluetooth.**

89	50	0F07000	02A59806	10F0FFF80	7C3C3C3C03	1	1	0	0	1	11	11	11
90	51	1E0E000	054B300D	01E1FFF00	7878787807	1	0	0	0	0	11	11	11
91	52	1C1C001	0A96601A	03C3FFE01	70F0F0F00F	1	1	0	1	0	10	11	11
92	53	1838003	152CC035	0787FFC03	61E1E1E01E	1	0	0	1	0	10	10	11
93	54	1070007	2A59806B	0F0FFF807	43C3C3C03C	0	0	1	1	0	01	10	10
94	55	00E000F	54B300D7	1E1FFF00F	0787878078	0	1	1	1	0	10	01	10
95	56	01C001F	296601AE	1C3FFE01F	0F0F0F00F1	0	0	1	0	1	00	10	01
96	57	038003F	52CC035C	187FFC03F	1E1E1E01E2	0	1	1	0	0	00	00	10
97	58	070007F	259806B8	10FFF807F	3C3C3C03C4	0	1	0	0	1	00	00	00
98	59	0E000FE	4B300D71	01FFF00FE	7878780788	1	0	0	0	1	00	00	00
99	60	1C001FD	16601AE2	03FFE01FD	70F0F00F10	1	0	0	1	0	01	00	00
100	61	18003FA	2CC035C5	07FFC03FB	61E1E01E21	1	1	0	1	0	11	01	00
101	62	10007F4	59806B8B	0FFF807F7	43C3C03C43	0	1	1	1	0	11	11	01
102	63	0000FE8	3300D717	1FFF00FEE	0787807887	0	0	1	1	1	11	11	11
103	64	0001FD0	6601AE2F	1FFE01FDC	0F0F00F10E	0	0	1	0	0	11	11	11
104	65	0003FA0	4C035C5F	1FFC03FB8	1E1E01E21D	0	0	1	0	0	11	11	11
105	66	0007F40	1806B8BE	1FF807F70	3C3C03C43B	0	0	1	0	0	11	11	11
106	67	000FE81	300D717C	1FF00FEE1	7878078877	0	0	1	0	0	11	11	11
107	68	001FD02	601AE2F8	1FE01FDC2	70F00F10EF	0	0	1	1	1	11	11	11
108	69	003FA05	4035C5F0	1FC03FB84	61E01E21DE	0	0	1	1	1	11	11	11
109	70	007F40B	006B8BE0	1F807F708	43C03C43BC	0	0	1	1	1	11	11	11
110	71	00FE816	00D717C0	1F00FEE11	0780788778	0	1	1	1	0	10	11	11
111	72	01FD02C	01AE2F81	1E01FDC23	0F00F10EF1	0	1	1	0	0	10	10	11
112	73	03FA059	035C5F02	1C03FB847	1E01E21DE3	0	0	1	0	1	10	10	10
113	74	07F40B3	06B8BE05	1807F708F	3C03C43BC7	0	1	1	0	0	01	10	10
114	75	0FE8166	0D717C0B	100FEE11E	780788778F	1	0	0	0	0	01	01	10
115	76	1FD02CD	1AE2F817	001FDC23D	700F10EF1F	1	1	0	0	1	11	01	01
116	77	1FA059B	35C5F02F	003FB847A	601E21DE3F	1	1	0	0	1	10	11	01
117	78	1F40B37	6B8BE05E	007F708F4	403C43BC7F	1	1	0	0	0	10	10	11
118	79	1E8166E	5717C0BD	00FEE11E9	00788778FF	1	0	0	0	1	10	10	10
119	80	1D02CDC	2E2F817A	01FDC23D3	00F10EF1FE	1	0	0	1	0	01	10	10
120	81	1A059B9	5C5F02F5	03FB847A6	01E21DE3FD	1	0	0	1	1	01	01	10
121	82	140B373	38BE05EB	07F708F4C	03C43BC7FB	0	1	0	1	1	11	01	01
122	83	08166E7	717C0BD7	0FEE11E98	0788778FF7	1	0	1	1	0	11	11	01
123	84	102CDCF	62F817AE	1FDC23D31	0F10EF1FEF	0	1	1	0	1	11	11	11
124	85	0059B9F	45F02F5C	1FB847A63	1E21DE3FDE	0	1	1	0	1	11	11	11
125	86	00B373E	0BB05EB9	1F708F4C7	3C43BC7FBC	0	1	1	0	1	11	11	11
126	87	0166E7D	17C0BD72	1EE11E98F	788778FF78	0	1	1	1	0	10	11	11
127	88	02CDCFB	2F817AE5	1DC23D31F	710EF1FEF1	0	1	1	0	0	10	10	11
128	89	059B9F7	5F02F5CA	1B847A63F	621DE3FDE2	0	0	1	0	1	10	10	10
129	90	0B373EF	3E05EB94	1708F4C7F	443BC7FBC4	1	0	0	0	1	10	10	10
130	91	166E7DF	7C0BD728	0E11E98FF	08778FF788	0	0	1	0	1	10	10	10
131	92	0CDCFBE	7817AE50	1C23D31FF	10EF1FEF10	1	0	1	1	1	01	10	10
132	93	19B9F7D	702F5CA1	1847A63FE	21DE3FDE21	1	0	1	1	0	10	01	10
133	94	1373EFB	605EB942	108F4C7FC	43BC7FBC43	0	0	0	1	1	00	10	01
134	95	06E7DF7	40BD7285	011E98FF8	0778FF7886	0	1	0	0	1	01	00	10
135	96	0DCFBFF	017AE50A	023D31FF0	0EF1FEF10D	1	0	0	1	1	00	01	00
136	97	1B9F7DF	02F5CA15	047A63FE1	1DE3FDE21A	1	1	0	1	1	10	00	01
137	98	173EFBF	05EB942B	08F4C7FC3	3BC7FBC434	0	1	1	1	1	00	10	00
138	99	0E7DF7F	0BD72856	11E98FF87	778FF78869	1	1	0	1	1	00	00	10
139	100	1CFBEFF	17AE50AC	03D31FF0F	6F1FEF10D3	1	1	0	0	0	01	00	00
140	101	19F7DFE	2F5CA159	07A63FE1E	5E3FDE21A7	1	0	0	0	0	00	01	00
141	102	13EFBFC	5EB942B3	0F4C7FC3C	3C7FBC434F	0	1	1	0	0	10	00	01
142	103	07DF7F8	3D728566	1E98FF878	78FF78869F	0	0	1	1	0	00	10	00
143	104	0FBEFF0	7AE50ACD	1D31FF0F0	71FEF10D3E	1	1	1	1	0	11	00	10
144	105	1F7DFE1	75CA159B	1A63FE1E1	63FDE21A7D	1	1	1	1	1	00	11	00
145	106	1EFBFC3	6B942B36	14C7FC3C3	47FBC434FB	1	1	0	1	1	11	00	11

Appendix IV - Sample Data

**Bluetooth.**

146	107	1DF7F86	5728566D	098FF8786	0FF78869F7	1	0	1	1	0	00	11	00
147	108	1BEFF0C	2E50ACDB	131FF0F0C	1FEF10D3EF	1	0	0	1	0	11	00	11
148	109	17DFE19	5CA159B6	063FE1E19	3FDE21A7DF	0	1	0	1	1	01	11	00
149	110	0FBFC33	3942B36D	0C7FC3C32	7FBC434FBF	1	0	1	1	0	01	01	11
150	111	1F7F866	728566DB	18FF87865	7F78869F7E	1	1	1	0	0	00	01	01
151	112	1EFF0CC	650ACDB6	11FF0F0CB	7EF10D3EFC	1	0	0	1	0	10	00	01
152	113	1DFE199	4A159B6D	03FE1E196	7DE21A7DF9	1	0	0	1	0	00	10	00
153	114	1BFC333	142B36DB	07FC3C32C	7BC434FBF3	1	0	0	1	0	00	00	10
154	115	17F8666	28566DB6	0FF878659	778869F7E6	0	0	1	1	0	01	00	00
155	116	0FF0CCC	50ACDB6D	1FF0F0CB3	6F10D3EFCC	1	1	1	0	0	11	01	00
156	117	1FE1999	2159B6DA	1FE1E1966	5E21A7DF99	1	0	1	0	1	10	11	01
157	118	1FC3332	42B36DB5	1FC3C32CC	3C434FBF33	1	1	1	0	1	10	10	11
158	119	1F86664	0566DB6B	1F8786599	78869F7E67	1	0	1	1	1	01	10	10
159	120	1F0CCC8	0ACDB6D6	1F0F0CB33	710D3EFCCE	1	1	1	0	0	10	01	10
160	121	1E19991	159B6DAC	1E1E19666	621A7DF99D	1	1	1	0	1	11	10	01
161	122	1C33323	2B36DB58	1C3C32CCC	4434FBF33B	1	0	1	0	1	00	11	10
162	123	1866647	566DB6B0	187865999	0869F7E676	1	0	1	0	0	11	00	11
163	124	10CCC8F	2CDB6D60	10F0CB333	10D3EFCCEC	0	1	0	1	1	01	11	00
164	125	019991E	59B6DAC0	01E196666	21A7DF99D9	0	1	0	1	1	10	01	11
165	126	033323C	336DB580	03C32CCCD	434FBF33B3	0	0	0	0	0	00	10	01
166	127	0666478	66DB6B01	07865999A	069F7E6766	0	1	0	1	0	00	00	10
167	128	0CCC8F0	4DB6D603	0F0CB3334	0D3EFCCECD	1	1	1	0	1	01	00	00
168	129	19991E1	1B6DAC07	1E1966669	1A7DF99D9B	1	0	1	0	1	00	01	00
169	130	13323C3	36DB580E	1C32CCCD3	34FBF33B37	0	1	1	1	1	10	00	01
170	131	0664786	6DB6B01C	1865999A7	69F7E6766F	0	1	1	1	1	00	10	00
171	132	0CC8F0D	5B6D6039	10CB3334F	53EFCCECDF	1	0	0	1	0	00	00	10
172	133	1991E1A	36DAC073	01966669E	27DF99D9BF	1	1	0	1	1	01	00	00
173	134	1323C35	6DB580E6	032CCCD3C	4FBF33B37E	0	1	0	1	1	00	01	00
174	135	064786A	5B6B01CD	065999A78	1F7E6766FC	0	0	0	0	0	11	00	01
175	136	0C8F0D5	36D6039B	0CB3334F0	3EFCCECDF9	1	1	1	1	1	00	11	00
176	137	191E1AA	6DAC0737	1966669E1	7DF99D9BF3	1	1	1	1	0	00	00	11
177	138	123C354	5B580E6E	12CCCD3C3	7BF33B37E7	0	0	0	1	1	00	00	00
178	139	04786A9	36B01CDC	05999A787	77E6766FCE	0	1	0	1	0	01	00	00
179	140	08F0D53	6D6039B8	0B3334F0E	6FCCECDF9C	1	0	1	1	0	11	01	00
180	141	11E1AA6	5AC07370	166669E1D	5F99D9BF38	0	1	0	1	1	10	11	01
181	142	03C354C	3580E6E0	0CCCD3C3A	3F33B37E70	0	1	1	0	0	10	10	11
182	143	0786A99	6B01CDC0	1999A7875	7E6766FCE1	0	0	1	0	1	10	10	10
183	144	0F0D533	56039B81	13334F0EB	7CCECDF9C2	1	0	0	1	0	01	10	10
184	145	1E1AA66	2C073703	06669E1D6	799D9BF385	1	0	0	1	1	01	01	10
185	146	1C354CC	580E6E06	0CCD3C3AC	733B37E70B	1	0	1	0	1	11	01	01
186	147	186A998	301CDC0C	199A78759	66766FCE17	1	0	1	0	1	10	11	01
187	148	10D5331	6039B818	1334F0EB2	4CECDF9C2F	0	0	0	1	1	01	10	11
188	149	01AA662	40737031	0669E1D65	19D9BF385E	0	0	0	1	0	01	01	10
189	150	0354CC5	00E6E063	0CD3C3ACB	33B37E70BD	0	1	1	1	0	00	01	01
190	151	06A998A	01CDC0C6	19A787596	6766FCE17B	0	1	1	0	0	10	00	01
191	152	0D53315	039B818C	134F0EB2C	4ECDF9C2F6	1	1	0	1	1	00	10	00
192	153	1AA662A	07370318	069E1D659	1D9BF385ED	1	0	0	1	0	00	00	10
193	154	154CC54	0E6E0630	0D3C3ACB3	3B37E70BDB	0	0	1	0	1	00	00	00
194	155	0A998A8	1CDC0C60	1A7875967	766FCE17B6	1	1	1	0	1	01	00	00
195	156	1533151	39B818C0	14F0EB2CE	6CDF9C2F6C	0	1	0	1	1	00	01	00
196	157	0A662A3	73703180	09E1D659D	59BF385ED8	1	0	1	1	1	10	00	01
197	158	14CC547	66E06301	13C3ACB3A	337E70BDB0	0	1	0	0	1	11	10	00
198	159	0998A8E	4DC0C602	078759675	66FCE17B61	1	1	0	1	0	01	11	10
199	160	133151D	1B818C05	0F0EB2CEB	4DF9C2F6C2	0	1	1	1	0	01	01	11
200	161	0662A3B	3703180B	1E1D659D6	1BF385ED85	0	0	1	1	1	11	01	01
201	162	0CC5477	6E063017	1C3ACB3AC	37E70BDB0B	1	0	1	1	0	11	11	01
202	163	198A8EF	5C0C602F	187596759	6FCE17B617	1	0	1	1	0	10	11	11

Appendix IV - Sample Data

**Bluetooth.**

203	164	13151DE	3818C05F	10EB2CEB2	5F9C2F6C2F	0	0	0	1	1	01	10	11
204	165	062A3BC	703180BF	01D659D65	3F385ED85E	0	0	0	0	1	00	01	10
205	166	0C54779	6063017E	03ACB3ACB	7E70BDB0BD	1	0	0	0	1	11	00	01
206	167	18A8EF2	40C602FD	075967597	7CE17B617B	1	1	0	1	0	00	11	00
207	168	1151DE4	018C05FA	0EB2CEB2F	79C2F6C2F7	0	1	1	1	1	11	00	11
208	169	02A3BC9	03180BF5	1D659D65E	7385ED85EE	0	0	1	1	1	01	11	00
209	170	0547793	063017EB	1ACB3ACBC	670BDB0BDC	0	0	1	0	0	10	01	11
210	171	0A8EF27	0C602FD6	159675978	4E17B617B9	1	0	0	0	1	00	10	10
211	172	151DE4E	18C05FAD	0B2CEB2F1	1C2F6C2F73	0	1	1	0	0	00	00	10
212	173	0A3BC9C	3180BF5A	1659D65E3	385ED85EE6	1	1	0	0	0	01	00	00
213	174	1477938	63017EB5	0CB3ACBC6	70BDB0BDCC	0	0	1	1	1	00	01	00
214	175	08EF270	4602FD6A	19675978D	617B617B99	1	0	1	0	0	10	00	01
215	176	11DE4E1	0C05FAD5	12CEB2F1A	42F6C2F733	0	0	0	1	1	11	10	00
216	177	03BC9C3	180BF5AA	059D65E34	05ED85EE67	0	0	0	1	0	00	11	10
217	178	0779387	3017EB55	0B3ACBC68	0BDB0BDCCF	0	0	1	1	0	11	00	11
218	179	0EF270F	602FD6AA	1675978D0	17B617B99F	1	0	0	1	1	01	11	00
219	180	1DE4E1F	405FAD54	0CEB2F1A1	2F6C2F733F	1	0	1	0	1	10	01	11
220	181	1BC9C3F	00BF5AA9	19D65E342	5ED85EE67F	1	1	1	1	0	10	10	01
221	182	179387F	017EB552	13ACBC684	3DB0BDCCFE	0	0	0	1	1	10	10	10
222	183	0F270FF	02FD6AA5	075978D09	7B617B99FC	1	1	0	0	0	01	10	10
223	184	1E4E1FF	05FAD54A	0EB2F1A12	76C2F733F9	1	1	1	1	1	10	01	10
224	185	1C9C3FE	0BF5AA94	1D65E3425	6D85EE67F2	1	1	1	1	0	10	10	01
225	186	19387FD	17EB5529	1ACBC684B	5B0BDCCFE4	1	1	1	0	1	01	10	10
226	187	1270FFA	2FD6AA53	15978D096	3617B99FC9	0	1	0	0	0	01	01	10
227	188	04E1FF5	5FAD54A7	0B2F1A12C	6C2F733F93	0	1	1	0	1	11	01	01
228	189	09C3FEB	3F5AA94E	165E34258	585EE67F27	1	0	0	0	0	10	11	01
229	190	1387FD7	7EB5529C	0CBC684B1	30BDCCFE4F	0	1	1	1	1	10	10	11
230	191	070FFAE	7D6AA538	1978D0962	617B99FC9E	0	0	1	0	1	10	10	10
231	192	0E1FF5C	7AD54A70	12F1A12C4	42F733F93D	1	1	0	1	1	01	10	10
232	193	1C3FEB9	75AA94E1	05E342588	05EE67F27A	1	1	0	1	0	10	01	10
233	194	187FD73	6B5529C3	0BC684B10	0BDCCFE4F4	1	0	1	1	1	11	10	01
234	195	10FFAE6	56AA5386	178D09621	17B99FC9E8	0	1	0	1	1	00	11	10
235	196	01FF5CC	2D54A70C	0F1A12C43	2F733F93D0	0	0	1	0	1	10	00	11
236	197	03FEB98	5AA94E19	1E3425887	5EE67F27A1	0	1	1	1	1	00	10	00
237	198	07FD731	35529C33	1C684B10F	3DCCFE4F42	0	0	1	1	0	00	00	10
238	199	0FFAE63	6AA53866	18D09621F	7B99FC9E84	1	1	1	1	0	10	00	00
239	200	1FF5CC6	554A70CD	11A12C43F	7733F93D09	1	0	0	0	1	11	10	00

- Z[0] = 59
- Z[1] = 3B
- Z[2] = EF
- Z[3] = 07
- Z[4] = 13
- Z[5] = 70
- Z[6] = 9B
- Z[7] = B7
- Z[8] = 52
- Z[9] = 8F
- Z[10] = 3E
- Z[11] = B9
- Z[12] = A5
- Z[13] = AC
- Z[14] = EA
- Z[15] = 9E

Appendix IV - Sample Data



=====

Reload this pattern into the LFSRs  
 Hold content of Summation Combiner regs and calculate new C[t+1] and Z values

=====

LFSR1 <= 1521359  
 LFSR2 <= 528F703B  
 LFSR3 <= 0AC3E9BEF  
 LFSR4 <= 4FEAB9B707  
 C[t+1] <= 00

=====

Generating 125 key symbols (encryption/decryption sequence)

=====

240	1	1521359	528F703B	0AC3E9BEF	4FEAB9B707	0	1	1	1	1	00	10	00
241	2	0A426B3	251EE076	1587D37DE	1FD5736E0F	1	0	0	1	0	00	00	10
242	3	1484D67	4A3DC0ED	0B0FA6FBD	3FAAE6DC1E	0	0	1	1	0	01	00	00
243	4	0909ACF	147B81DA	161F4DF7A	7F55CDB83D	1	0	0	0	0	00	01	00
244	5	121359E	28F703B5	0C3E9BEF5	7EAB9B707B	0	1	1	1	1	10	00	01
245	6	0426B3C	51EE076B	187D37DEB	7D5736E0F6	0	1	1	0	0	00	10	00
246	7	084D679	23DC0ED6	10FA6FBD7	7AAE6DC1EC	1	1	0	1	1	00	00	10
247	8	109ACF2	47B81DAC	01F4DF7AF	755CDB83D8	0	1	0	0	1	00	00	00
248	9	01359E4	0F703B59	03E9BEF5E	6AB9B707B1	0	0	0	1	1	00	00	00
249	10	026B3C8	1EE076B3	07D37DEBD	55736E0F63	0	1	0	0	1	00	00	00
250	11	04D6791	3DC0ED67	0FA6FBD7A	2AE6DC1EC7	0	1	1	1	1	01	00	00
251	12	09ACF22	7B81DACF	1F4DF7AF4	55CDB83D8F	1	1	1	1	1	11	01	00
252	13	1359E44	7703B59E	1E9BEF5E8	2B9B707B1F	0	0	1	1	1	10	11	01
253	14	06B3C88	6E076B3C	1D37DEBD0	5736E0F63F	0	0	1	0	1	01	10	11
254	15	0D67911	5C0ED678	1A6FBD7A1	2E6DC1EC7E	1	0	1	0	1	01	01	10
255	16	1ACF223	381DACF0	14DF7AF42	5CDB83D8FD	1	0	0	1	1	11	01	01
256	17	159E446	703B59E0	09BEF5E85	39B707B1FA	0	0	1	1	1	10	11	01
257	18	0B3C88C	6076B3C0	137DEBDOA	736E0F63F4	1	0	0	0	1	01	10	11
258	19	1679118	40ED6780	06FBD7A15	66DC1EC7E8	0	1	0	1	1	01	01	10
259	20	0CF2231	01DACF00	0DF7AF42A	4DB83D8FD1	1	1	1	1	1	00	01	01
260	21	19E4463	03B59E01	1BEF5E854	1B707B1FA3	1	1	1	0	1	10	00	01
261	22	13C88C6	076B3C03	17DEBD0A9	3E0F63F47	0	0	0	1	1	11	10	00
262	23	079118C	0ED67807	0FBD7A152	6DC1EC7E8E	0	1	1	1	0	01	11	10
263	24	0F22318	1DACF00E	1F7AF42A4	5B83D8FD1D	1	1	1	1	1	01	01	11
264	25	1E44630	3B59E01C	1EF5E8548	3707B1FA3B	1	0	1	0	1	11	01	01
265	26	1C88C61	76B3C039	1DEBD0A91	6E0F63F477	1	1	1	0	0	11	11	01
266	27	19118C3	6D678073	1BD7A1523	5C1EC7E8EF	1	0	1	0	1	11	11	11
267	28	1223187	5ACF00E6	17AF42A46	383D8FD1DE	0	1	0	0	0	11	11	11
268	29	044630E	359E01CC	0F5E8548D	707B1FA3BD	0	1	1	0	1	11	11	11
269	30	088C61C	6B3C0399	1EBD0A91A	60F63F477B	1	0	1	1	0	10	11	11
270	31	1118C39	56780733	1D7A15234	41EC7E8EF6	0	0	1	1	0	10	10	11
271	32	0231872	2CF00E67	1AF42A468	03D8FD1DEC	0	1	1	1	1	01	10	10
272	33	04630E5	59E01CCE	15E8548D1	07B1FA3BD8	0	1	0	1	1	01	01	10
273	34	08C61CB	33C0399D	0BD0A91A3	0F63F477B1	1	1	1	0	0	00	01	01
274	35	118C396	6780733A	17A152347	1EC7E8EF63	0	1	0	1	0	10	00	01
275	36	031872D	4F00E674	0F42A468E	3D8FD1DEC7	0	0	1	1	0	00	10	00
276	37	0630E5A	1E01CCE8	1E8548D1D	7B1FA3BD8E	0	0	1	0	1	01	00	10
277	38	0C61CB5	3C0399D0	1D0A91A3B	763F477B1C	1	0	1	0	1	00	01	00
278	39	18C396A	780733A0	1A1523477	6C7E8EF639	1	0	1	0	0	10	00	01
279	40	11872D5	700E6741	142A468EF	58FD1DEC72	0	0	0	1	1	11	10	00
280	41	030E5AB	601CCE83	08548D1DF	31FA3BD8E5	0	0	1	1	1	00	11	10
281	42	061CB57	40399D07	10A91A3BF	63F477B1CB	0	0	0	1	1	10	00	11
282	43	0C396AF	00733A0F	01523477E	47E8EF6396	1	0	0	1	0	00	10	00
283	44	1872D5F	00E6741F	02A468EFD	0FD1DEC72C	1	1	0	1	1	00	00	10

Appendix IV - Sample Data

**Bluetooth.**

284	45	10E5ABE	01CCE83F	0548D1DFA	1FA3BD8E58	0	1	0	1	0	01	00	00
285	46	01CB57C	0399D07F	0A91A3BF4	3F477B1CB0	0	1	1	0	1	00	01	00
286	47	0396AF9	0733A0FE	1523477E9	7E8EF63961	0	0	0	1	1	11	00	01
287	48	072D5F3	0E6741FD	0A468EFD2	7D1DEC72C3	0	0	1	0	0	01	11	00
288	49	0E5ABE7	1CCE83FA	148D1DFA4	7A3BD8E587	1	1	0	0	1	10	01	11
289	50	1CB57CE	399D07F4	091A3BF49	7477B1CB0F	1	1	1	0	1	11	10	01
290	51	196AF9D	733A0FE9	123477E92	68EF63961E	1	0	0	1	1	00	11	10
291	52	12D5F3B	66741FD2	0468EFD25	51DEC72C3C	0	0	0	1	1	10	00	11
292	53	05ABE77	4CE83FA4	08D1DFA4B	23BD8E5879	0	1	1	1	1	00	10	00
293	54	0B57CEE	19D07F49	11A3BF496	477B1CB0F2	1	1	0	0	0	00	00	10
294	55	16AF9DC	33A0FE92	03477E92C	0EF63961E4	0	1	0	1	0	01	00	00
295	56	0D5F3B8	6741FD25	068EFD259	1DEC72C3C9	1	0	0	1	1	00	01	00
296	57	1ABE771	4E83FA4B	0D1DFA4B3	3BD8E58793	1	1	1	1	0	01	00	01
297	58	157CEE2	1D07F496	1A3BF4967	77B1CB0F26	0	0	1	1	1	00	01	00
298	59	0AF9DC5	3A0FE92D	1477E92CE	6F63961E4D	1	0	0	0	1	11	00	01
299	60	15F3B8B	741FD25A	08EFD259C	5EC72C3C9B	0	0	1	1	1	01	11	00
300	61	0BE7716	683FA4B4	11DFA4B39	3D8E587937	1	0	0	1	1	10	01	11
301	62	17CEE2D	507F4968	03BF49672	7B1CB0F26E	0	0	0	0	0	00	10	01
302	63	0F9DC5B	20FE92D0	077E92CE4	763961E4DC	1	1	0	0	0	00	00	10
303	64	1F3B8B6	41FD25A0	0EFD259C9	6C72C3C9B9	1	1	1	0	1	01	00	00
304	65	1E7716D	03FA4B40	1DFA4B393	58E5879373	1	1	1	1	1	11	01	00
305	66	1CEE2DB	07F49680	1BF496727	31CB0F26E6	1	1	1	1	1	11	11	01
306	67	19DC5B7	0FE92D00	17E92CE4E	63961E4DCD	1	1	0	1	0	10	11	11
307	68	13B8B6F	1FD25A00	0FD259C9C	472C3C9B9A	0	1	1	0	0	10	10	11
308	69	07716DF	3FA4B400	1FA4B3938	0E58793735	0	1	1	0	0	01	10	10
309	70	0EE2DBF	7F496800	1F4967271	1CB0F26E6A	1	0	1	1	0	10	01	10
310	71	1DC5B7F	7E92D000	1E92CE4E2	3961E4DCD4	1	1	1	0	1	11	10	01
311	72	1B8B6FF	7D25A001	1D259C9C4	72C3C9B9A9	1	0	1	1	0	01	11	10
312	73	1716DFF	7A4B4002	1A4B39389	6587937352	0	0	1	1	1	10	01	11
313	74	0E2DBFF	74968005	149672713	4B0F26E6A5	1	1	0	0	0	11	10	01
314	75	1C5B7FE	692D000B	092CE4E26	161E4DCD4B	1	0	1	0	1	00	11	10
315	76	18B6FFC	525A0017	1259C9C4D	2C3C9B9A96	1	0	0	0	1	10	00	11
316	77	116DFF8	24B4002F	04B39389B	587937352C	0	1	0	0	1	11	10	00
317	78	02DBFF1	4968005F	096727136	30F26E6A58	0	0	1	1	1	00	11	10
318	79	05B7FE3	12D000BF	12CE4E26C	61E4DCD4B1	0	1	0	1	0	11	00	11
319	80	0B6FFC7	25A0017F	059C9C4D8	43C9B9A963	1	1	0	1	0	00	11	00
320	81	16DFF8E	4B4002FF	0B39389B1	07937352C6	0	0	1	1	0	11	00	11
321	82	0DBFF1C	168005FF	167271363	0F26E6A58C	1	1	0	0	1	01	11	00
322	83	1B7FE38	2D000BFF	0CE4E26C7	1E4DCD4B18	1	0	1	0	1	10	01	11
323	84	16FFC70	5A0017FF	19C9C4D8F	3C9B9A9631	0	0	1	1	0	11	10	01
324	85	0DFF8E1	34002FFF	139389B1E	7937352C62	1	0	0	0	0	00	11	10
325	86	1BFF1C3	68005FFF	07271363D	726E6A58C4	1	0	0	0	1	10	00	11
326	87	17FE387	5000BFFE	0E4E26C7B	64DCD4B188	0	0	1	1	0	00	10	00
327	88	0FFC70F	20017FFD	1C9C4D8F6	49B9A96311	1	0	1	1	1	00	00	10
328	89	1FF8E1F	4002FFFB	19389B1ED	137352C623	1	0	1	0	0	01	00	00
329	90	1FF1C3F	0005FFF7	1271363DB	26E6A58C46	1	0	0	1	1	00	01	00
330	91	1FE387F	000BFEE	04E26C7B6	4DCD4B188C	1	0	0	1	0	10	00	01
331	92	1FC70FF	0017FFDC	09C4D8F6D	1B9A963118	1	0	1	1	1	00	10	00
332	93	1F8E1FF	002FFFB8	1389B1EDA	37352C6231	1	0	0	0	1	01	00	10
333	94	1F1C3FF	005FFF70	071363DB4	6E6A58C462	1	0	0	0	0	00	01	00
334	95	1E387FE	00BFFEE0	0E26C7B68	5CD4B188C5	1	1	1	1	0	01	00	01
335	96	1C70FFC	017FFDC1	1C4D8F6D1	39A963118A	1	0	1	1	0	11	01	00
336	97	18E1FF9	02FFFB82	189B1EDA2	7352C62315	1	1	1	0	0	11	11	01
337	98	11C3FF2	05FFF705	11363DB45	66A58C462B	0	1	0	1	1	11	11	11
338	99	0387FE4	0BFFEE0A	026C7B68B	4D4B188C56	0	1	0	0	0	11	11	11
339	100	070FFC9	17FFDC15	04D8F6D16	1A963118AD	0	1	0	1	1	11	11	11
340	101	0E1FF92	2FFFB82B	09B1EDA2C	352C62315A	1	1	1	0	0	10	11	11

Appendix IV - Sample Data

**Bluetooth.**

341	102	1C3FF24	5FFF7057	1363DB458	6A58C462B4	1	1	0	0	0	10	10	11
342	103	187FE48	3FFEE0AE	06C7B68B0	54B188C569	1	1	0	1	1	01	10	10
343	104	10FFC90	7FFDC15C	0D8F6D161	2963118AD2	0	1	1	0	1	01	01	10
344	105	01FF920	7FFB82B9	1B1EDA2C2	52C62315A5	0	1	1	1	0	00	01	01
345	106	03FF240	7FF70573	163DB4584	258C462B4B	0	1	0	1	0	10	00	01
346	107	07FE481	7FEE0AE6	0C7B68B08	4B188C5696	0	1	1	0	0	00	10	00
347	108	0FFC902	7FDC15CD	18F6D1610	163118AD2D	1	1	1	0	1	00	00	10
348	109	1FF9204	7FB82B9A	11EDA2C20	2C62315A5B	1	1	0	0	0	01	00	00
349	110	1FF2408	7F705735	03DB45841	58C462B4B6	1	0	0	1	1	00	01	00
350	111	1FE4810	7EE0AE6B	07B68B082	3188C5696C	1	1	0	1	1	10	00	01
351	112	1FC9021	7DC15CD6	0F6D16105	63118AD2D8	1	1	1	0	1	00	10	00
352	113	1F92042	7B82B9AD	1EDA2C20B	462315A5B0	1	1	1	0	1	00	00	10
353	114	1F24084	7705735A	1DB458416	0C462B4B61	1	0	1	0	0	01	00	00
354	115	1E48108	6E0AE6B5	1B68B082C	188C5696C3	1	0	1	1	0	11	01	00
355	116	1C90211	5C15CD6A	16D161059	3118AD2D86	1	0	0	0	0	10	11	01
356	117	1920422	382B9AD5	0DA2C20B3	62315A5B0D	1	0	1	0	0	10	10	11
357	118	1240845	705735AA	1B4584167	4462B4B61A	0	0	1	0	1	10	10	10
358	119	048108A	60AE6B55	168B082CF	08C5696C34	0	1	0	1	0	01	10	10
359	120	0902114	415CD6AB	0D161059E	118AD2D869	1	0	1	1	0	10	01	10
360	121	1204228	02B9AD56	1A2C20B3D	2315A5B0D2	0	1	1	0	0	11	10	01
361	122	0408451	05735AAD	14584167B	462B4B61A4	0	0	0	0	1	11	11	10
362	123	08108A2	0AE6B55B	08B082CF7	0C5696C348	1	1	1	0	0	10	11	11
363	124	1021144	15CD6AB6	1161059EF	18AD2D8690	0	1	0	1	0	10	10	11
364	125	0042289	2B9AD56C	02C20B3DE	315A5B0D20	0	1	0	0	1	10	10	10



## 1.5 FOURTH SET OF SAMPLES

Initial values for the key, pan address and clock

K'c4[0] = 21 K'c4[1] = 87 K'c4[2] = F0 K'c4[3] = 4A  
 K'c4[4] = BA K'c4[5] = 90 K'c4[6] = 31 K'c4[7] = D0  
 K'c4[8] = 78 K'c4[9] = 0D K'c4[10] = 4C K'c4[11] = 53  
 K'c4[12] = E0 K'c4[13] = 15 K'c4[14] = 3A K'c4[15] = 63

Addr4[0] = 2C Addr4[1] = 7F Addr4[2] = 94  
 Addr4[3] = 56 Addr4[4] = 0F Addr4[5] = 1B

Clk4[0] = 5F Clk4[1] = 1A Clk4[2] = 00 Clk4[3] = 02

=====  
 Fill LFSRs with initial data  
 =====

t	clk#	LFSR1	LFSR2	LFSR3	LFSR4	X1	X2	X3	X4	Z	C[t+1]	C[t]	C[t-1]
0	0	0000000*	00000000*	000000000*	0000000000*	0	0	0	0	0	00	00	00
1	1	0000000*	00000001*	000000001*	0000000001*	0	0	0	0	0	00	00	00
2	2	0000001*	00000002*	000000002*	0000000003*	0	0	0	0	0	00	00	00
3	3	0000002*	00000004*	000000004*	0000000007*	0	0	0	0	0	00	00	00
4	4	0000004*	00000009*	000000008*	000000000F*	0	0	0	0	0	00	00	00
5	5	0000008*	00000013*	000000010*	000000001E*	0	0	0	0	0	00	00	00
6	6	0000010*	00000027*	000000021*	000000003D*	0	0	0	0	0	00	00	00
7	7	0000021*	0000004F*	000000043*	000000007A*	0	0	0	0	0	00	00	00
8	8	0000042*	0000009F*	000000087*	00000000F4*	0	0	0	0	0	00	00	00
9	9	0000084*	0000013F*	00000010F*	00000001E9*	0	0	0	0	0	00	00	00
10	10	0000108*	0000027F*	00000021F*	00000003D2*	0	0	0	0	0	00	00	00
11	11	0000211*	000004FE*	00000043E*	00000007A5*	0	0	0	0	0	00	00	00
12	12	0000422*	000009FC*	00000087C*	0000000F4A*	0	0	0	0	0	00	00	00
13	13	0000845*	000013F8*	0000010F8*	0000001E94*	0	0	0	0	0	00	00	00
14	14	000108B*	000027F0*	0000021F1*	0000003D29*	0	0	0	0	0	00	00	00
15	15	0002117*	00004FE1*	0000043E3*	0000007A52*	0	0	0	0	0	00	00	00
16	16	000422E*	00009FC2*	0000087C6*	000000F4A4*	0	0	0	0	0	00	00	00
17	17	000845D*	00013F84*	000010F8C*	000001E948*	0	0	0	0	0	00	00	00
18	18	00108BA*	00027F08*	000021F18*	000003D290*	0	0	0	0	0	00	00	00
19	19	0021174*	0004FE10*	000043E30*	000007A520*	0	0	0	0	0	00	00	00
20	20	00422E8*	0009FC21*	000087C61*	00000F4A41*	0	0	0	0	0	00	00	00
21	21	00845D1*	0013F842*	00010F8C3*	00001E9482*	0	0	0	0	0	00	00	00
22	22	0108BA3*	0027F084*	00021F186*	00003D2905*	0	0	0	0	0	00	00	00
23	23	0211747*	004FE109*	00043E30C*	00007A520B*	0	0	0	0	0	00	00	00
24	24	0422E8F*	009FC213*	00087C619*	0000F4A417*	0	1	0	0	1	00	00	00
25	25	0845D1E*	013F8426*	0010F8C32*	0001E9482F*	1	0	0	0	1	00	00	00
26	26	108BA3D*	027F084D*	0021F1864*	0003D2905E*	0	0	0	0	0	00	00	00
27	27	011747B*	04FE109B*	0043E30C9*	0007A520BC*	0	1	0	0	1	00	00	00
28	28	022E8F6*	09FC2136*	0087C6192*	000F4A4179*	0	1	0	0	1	00	00	00
29	29	045D1EC*	13F8426C*	010F8C325*	001E9482F2*	0	1	0	0	1	00	00	00
30	30	08BA3D9*	27F084D8*	021F1864B*	003D2905E5*	1	1	0	0	0	01	00	00
31	31	11747B3*	4FE109B0*	043E30C97*	007A520BCA*	0	1	0	0	1	00	00	00
32	32	02E8F67*	1FC21360*	087C6192E*	00F4A41795*	0	1	1	1	1	01	00	00
33	33	05D1ECF*	3F8426C1*	10F8C325C*	01E9482F2B*	0	1	0	1	0	01	00	00
34	34	0BA3D9F*	7F084D82*	01F1864B8*	03D2905E56*	1	0	0	1	0	01	00	00

Appendix IV - Sample Data

Bluetooth.

35	35	1747B3E	7E109B04	03E30C970	07A520BCAC*	0	0	0	1	1	00	00	00
36	36	0E8F67C	7C213608	07C6192E1	0F4A417958*	1	0	0	0	1	00	00	00
37	37	1D1ECF8	78426C11	0F8C325C3	1E9482F2B1*	1	0	1	1	1	01	00	00
38	38	1A3D9F0	7084D822	1F1864B86	3D2905E563*	1	1	1	0	1	01	00	00
39	39	147B3E1	6109B044	1E30C970C	7A520BCAC6*	0	0	1	0	1	00	00	00
=====													
Start clocking Summation Combiner													
=====													
40	1	08F67C2	42136088	1C6192E18	74A417958D	1	0	1	1	1	01	00	00
41	2	11ECF84	0426C111	18C325C30	69482F2B1B	0	0	1	0	0	00	01	00
42	3	03D9F08	084D8222	11864B861	52905E5637	0	0	0	1	1	11	00	01
43	4	07B3E10	109B0444	030C970C3	2520BCAC6E	0	1	0	0	0	01	11	00
44	5	0F67C21	21360889	06192E186	4A417958DC	1	0	0	0	0	10	01	11
45	6	1ECF843	426C1112	0C325C30C	1482F2B1B8	1	0	1	1	1	11	10	01
46	7	1D9F086	04D82225	1864B8619	2905E56370	1	1	1	0	0	01	11	10
47	8	1B3E10D	09B0444B	10C970C32	520BCAC6E1	1	1	0	0	1	10	01	11
48	9	167C21B	13608897	0192E1865	2417958DC3	0	0	0	0	0	00	10	01
49	10	0CF8436	26C1112F	0325C30CB	482F2B1B87	1	1	0	0	0	00	00	10
50	11	19F086D	4D82225E	064B86197	105E56370F	1	1	0	0	0	01	00	00
51	12	13E10DB	1B0444BC	0C970C32F	20BCAC6E1F	0	0	1	1	1	00	01	00
52	13	07C21B7	36088979	192E1865E	417958DC3F	0	0	1	0	1	11	00	01
53	14	0F8436E	6C1112F2	125C30CBD	02F2B1B87F	1	0	0	1	1	01	11	00
54	15	1F086DD	582225E4	04B86197B	05E56370FF	1	0	0	1	1	10	01	11
55	16	1E10DBA	30444BC9	0970C32F7	0BCAC6E1FF	1	0	1	1	1	11	10	01
56	17	1C21B75	60889793	12E1865EE	17958DC3FF	1	1	0	1	0	01	11	10
57	18	18436EA	41112F27	05C30CBDD	2F2B1B87FF	1	0	0	0	0	10	01	11
58	19	1086DD4	02225E4E	0B86197BA	5E56370FFF	0	0	1	0	1	00	10	01
59	20	010DBA8	0444BC9D	170C32F74	3CAC6E1FFF	0	0	0	1	1	01	00	10
60	21	021B750	0889793A	0E1865EE8	7958DC3FFF	0	1	1	0	1	00	01	00
61	22	0436EA0	1112F274	1C30CBDD0	72B1B87FFE	0	0	1	1	0	10	00	01
62	23	086DD40	2225E4E9	186197BA1	656370FFFC	1	0	1	0	0	00	10	00
63	24	10DBA81	444BC9D3	10C32F743	4AC6E1FFF8	0	0	0	1	1	01	00	10
64	25	01B7502	089793A7	01865EE86	158DC3FFF1	0	1	0	1	1	00	01	00
65	26	036EA05	112F274E	030CBDD0D	2B1B87FFE3	0	0	0	0	0	11	00	01
66	27	06DD40B	225E4E9C	06197BA1A	56370FFFC6	0	0	0	0	1	10	11	00
67	28	0DBA817	44BC9D39	0C32F7434	2C6E1FFF8D	1	1	1	0	1	10	10	11
68	29	1B7502E	09793A72	1865EE868	58DC3FFF1B	1	0	1	1	1	01	10	10
69	30	16EA05D	12F274E5	10CBDD0D0	31B87FFE36	0	1	0	1	1	01	01	10
70	31	0DD40BA	25E4E9CB	0197BA1A1	6370FFFC6D	1	1	0	0	1	11	01	01
71	32	1BA8174	4BC9D397	032F74343	46E1FFF8DA	1	1	0	1	0	11	11	01
72	33	17502E8	1793A72F	065EE8687	0DC3FFF1B4	0	1	0	1	1	11	11	11
73	34	0EA05D0	2F274E5E	0CBDD0D0F	1B87FFE369	1	0	1	1	0	10	11	11
74	35	1D40BA0	5E4E9CBD	197BA1A1F	370FFFC6D2	1	0	1	0	0	10	10	11
75	36	1A81741	3C9D397B	12F74343F	6E1FFF8DA5	1	1	0	0	0	01	10	10
76	37	1502E82	793A72F6	05EE8687F	5C3FFF1B4B	0	0	0	0	1	00	01	10
77	38	0A05D05	7274E5ED	0BDD0D0FF	387FFE3696	1	0	1	0	0	10	00	01
78	39	140BA0B	64E9CBDA	17BA1A1FF	70FFFC6D2C	0	1	0	1	0	00	10	00
79	40	0817416	49D397B4	0F74343FE	61FFF8DA59	1	1	1	1	0	11	00	10
80	41	102E82C	13A72F69	1EE8687FD	43FFF1B4B3	0	1	1	1	0	00	11	00
81	42	005D058	274E5ED2	1DD0D0FFA	07FFE36966	0	0	1	1	0	11	00	11
82	43	00BA0B0	4E9CBDA5	1BA1A1FF5	0FFFC6D2CD	0	1	1	1	0	00	11	00
83	44	0174160	1D397B4A	174343FEA	1FFF8DA59B	0	0	0	1	1	10	00	11
84	45	02E82C0	3A72F695	0E8687FD4	3FFF1B4B37	0	0	1	1	0	00	10	00
85	46	05D0580	74E5ED2B	1D0D0FFA9	7FFE36966E	0	1	1	1	1	00	00	10
86	47	0BA0B00	69CBDA56	1A1A1FF53	7FFC6D2CDC	1	1	1	1	0	10	00	00
87	48	1741600	5397B4AC	14343FEA6	7FF8DA59B8	0	1	0	1	0	00	10	00
88	49	0E82C01	272F6959	08687FD4D	7FF1B4B370	1	0	1	1	1	00	00	10

Appendix IV - Sample Data

**Bluetooth.**

89	50	1D05802	4E5ED2B3	10D0FFA9A	7FE36966E0	1	0	0	1	0	01	00	00
90	51	1A0B004	1CBDA566	01A1FF535	7FC6D2CDC0	1	1	0	1	0	11	01	00
91	52	1416009	397B4ACC	0343FEA6B	7F8DA59B80	0	0	0	1	0	10	11	01
92	53	082C013	72F69599	0687FD4D7	7F1B4B3701	1	1	0	0	0	10	10	11
93	54	1058026	65ED2B33	0D0FFA9AF	7E36966E03	0	1	1	0	0	01	10	10
94	55	00B004D	4BDA5667	1A1FF535E	7C6D2CDC06	0	1	1	0	1	01	01	10
95	56	016009B	17B4ACCE	143FEA6BD	78DA59B80D	0	1	0	1	1	11	01	01
96	57	02C0137	2F69599D	087FD4D7B	71B4B3701A	0	0	1	1	1	10	11	01
97	58	058026F	5ED2B33B	10FFA9AF6	636966E034	0	1	0	0	1	01	10	11
98	59	0B004DF	3DA56677	01FF535ED	46D2CDC068	1	1	0	1	0	10	01	10
99	60	16009BF	7B4ACCEF	03FEA6BDB	0DA59B80D0	0	0	0	1	1	00	10	01
100	61	0C0137F	769599DF	07FD4D7B7	14B4B3701A1	1	1	0	0	0	00	00	10
101	62	18026FE	6D2B33BE	0FFA9AF6E	36966E0342	1	0	1	1	1	01	00	00
102	63	1004DFC	5A56677D	1FF535EDD	6D2CDC0684	0	0	1	0	0	00	01	00
103	64	0009BF9	34ACCEFB	1FEA6BDBB	5A59B80D09	0	1	1	0	0	10	00	01
104	65	00137F2	69599DF7	1FD4D7B76	34B3701A12	0	0	1	1	0	00	10	00
105	66	0026FE5	52B33BEF	1FA9AF6EC	6966E03424	0	1	1	0	0	00	00	10
106	67	004DFCA	256677DF	1F535EDD8	52CDC06848	0	0	1	1	0	01	00	00
107	68	009BF94	4ACCEFBE	1EA6BDBB0	259B80D091	0	1	1	1	0	11	01	00
108	69	0137F29	1599DF7C	1D4D7B760	4B3701A123	0	1	1	0	1	10	11	01
109	70	026FE53	2B33BEF9	1A9AF6EC0	166E034246	0	0	1	0	1	01	10	11
110	71	04DFCA7	56677DF2	1535EDD81	2CDC06848D	0	0	0	1	0	01	01	10
111	72	09BF94F	2CCEFBE4	0A6BDBB03	59B80D091B	1	1	1	1	1	00	01	01
112	73	137F29E	599DF7C9	14D7B7607	33701A1236	0	1	0	0	1	11	00	01
113	74	06FE53C	333BEF93	09AF6EC0E	66E034246C	0	0	1	1	1	01	11	00
114	75	0DFCA79	6677DF26	135EDD81D	4DC06848D8	1	0	0	1	1	10	01	11
115	76	1BF94F2	4CEFBE4D	06BDBB03B	1B80D091B1	1	1	0	1	1	11	10	01
116	77	17F29E5	19DF7C9A	0D7B76077	3701A12363	0	1	1	0	1	00	11	10
117	78	0FE53CA	33BEF934	1AF6EC0EF	6E034246C6	1	1	1	0	1	11	00	11
118	79	1FCA794	677DF269	15EDD81DF	5C06848D8C	1	0	0	0	0	01	11	00
119	80	1F94F29	4EFBE4D2	0BDBB03BE	380D091B19	1	1	1	0	0	01	01	11
120	81	1F29E53	1DF7C9A5	17B76077D	701A123633	1	1	0	0	1	11	01	01
121	82	1E53CA6	3BEF934B	0F6EC0EFB	6034246C66	1	1	1	0	0	11	11	01
122	83	1CA794D	77DF2696	1EDD81DF6	406848D8CD	1	1	1	0	0	10	11	11
123	84	194F29B	6FB4D2C	1DBB03BED	00D091B19B	1	1	1	1	0	11	10	11
124	85	129E536	5F7C9A59	1B76077DA	01A1236337	0	0	1	1	1	00	11	10
125	86	053CA6C	3EF934B3	16EC0EFB4	034246C66E	0	1	0	0	1	10	00	11
126	87	0A794D9	7DF26967	0DD81DF69	06848D8CDD	1	1	1	1	0	01	10	00
127	88	14F29B3	7BE4D2CF	1BB03BED3	0D091B19BB	0	1	1	0	1	01	01	10
128	89	09E5366	77C9A59F	176077DA6	1A12363377	1	1	0	0	1	11	01	01
129	90	13CA6CD	6F934B3F	0EC0EFB4D	34246C66EF	0	1	1	0	1	10	11	01
130	91	0794D9B	5F26967F	1D81DF69A	6848D8CDDF	0	0	1	0	1	01	10	11
131	92	0F29B37	3E4D2CFE	1B03BED35	5091B19BBE	1	0	1	1	0	10	01	10
132	93	1E5366F	7C9A59FD	16077DA6B	212363377C	1	1	0	0	0	11	10	01
133	94	1CA6CDF	7934B3FB	0C0EFB4D6	4246C66EF9	1	0	1	0	1	00	11	10
134	95	194D9BE	726967F6	181DF69AD	048D8CDDF2	1	0	1	1	1	11	00	11
135	96	129B37D	64D2CFED	103BED35B	091B19BBE5	0	1	0	0	0	01	11	00
136	97	05366FA	49A59FDA	0077DA6B7	12363377CA	0	1	0	0	0	10	01	11
137	98	0A6CDF5	134B3FB4	00EFB4D6E	246C66EF95	1	0	0	0	1	00	10	01
138	99	14D9BEA	26967F69	01DF69ADD	48D8CDDF2B	0	1	0	1	0	00	00	10
139	100	09B37D4	4D2CFED2	03BED35BB	11B19BBE56	1	0	0	1	0	01	00	00
140	101	1366FA8	1A59FDA5	077DA6B77	2363377CAC	0	0	0	0	1	01	01	00
141	102	06CDF51	34B3FB4A	0EFB4D6EF	46C66EF959	0	1	1	1	0	00	01	01
142	103	0D9BEA2	6967F695	1DF69ADDF	0D8CDDF2B2	1	0	1	1	1	10	00	01
143	104	1B37D45	52CFED2A	1BED35BBF	1B19BBE564	1	1	1	0	1	00	10	00
144	105	166FA8A	259FDA54	17DA6B77E	363377CAC8	0	1	0	0	1	01	00	10
145	106	0CDF515	4B3FB4A9	0FB4D6EFC	6C66EF9591	1	0	1	0	1	00	01	00

Appendix IV - Sample Data

**Bluetooth.**

146	107	19BEA2B	167F6952	1F69ADDF8	58CDDF2B22	1	0	1	1	1	10	00	01
147	108	137D457	2CFED2A5	1ED35BBF1	319BBE5645	0	1	1	1	1	00	10	00
148	109	06FA8AF	59FDA54A	1DA6B77E2	63377CAC8B	0	1	1	0	0	00	00	10
149	110	0DF515F	33FB4A95	1B4D6EFC4	466EF95916	1	1	1	0	1	01	00	00
150	111	1BEA2BF	67F6952A	169ADDF88	0CDDF2B22C	1	1	0	1	0	11	01	00
151	112	17D457F	4FED2A55	0D35BBF10	19BBE56459	0	1	1	1	0	11	11	01
152	113	0FA8AFE	1FDA54AB	1A6B77E20	3377CAC8B3	1	1	1	0	0	10	11	11
153	114	1F515FD	3FB4A957	14D6EFC40	66EF959166	1	1	0	1	1	10	10	11
154	115	1EA2BFA	7F6952AF	09ADDF880	4DDF2B22CC	1	0	1	1	1	01	10	10
155	116	1D457F4	7ED2A55F	135BBF100	1BBE564598	1	1	0	1	0	10	01	10
156	117	1A8AFE8	7DA54ABF	06B77E200	377CAC8B31	1	1	0	0	0	11	10	01
157	118	1515FD0	7B4A957F	0D6EFC401	6EF9591663	0	0	1	1	1	00	11	10
158	119	0A2BFA1	76952AFE	1ADDF8803	5DF2B22CC7	1	1	1	1	0	00	00	11
159	120	1457F42	6D2A55FD	15BBF1007	3BE564598E	0	0	0	1	1	00	00	00
160	121	08AFE84	5A54ABFB	0B77E200F	77CAC8B31C	1	0	1	1	1	01	00	00
161	122	115FD09	34A957F7	16EFC401F	6F95916639	0	1	0	1	1	00	01	00
162	123	02BFA12	6952AFEF	0DDF8803E	5F2B22CC73	0	0	1	0	1	11	00	01
163	124	057F424	52A55FDF	1BBF1007D	3E564598E7	0	1	1	0	1	01	11	00
164	125	0AFE848	254ABFBF	177E200FA	7CAC8B31CF	1	0	0	1	1	10	01	11
165	126	15FD090	4A957F7E	0EFC401F5	795916639E	0	1	1	0	0	11	10	01
166	127	0BFA121	152AFefd	1DF8803EA	72B22CC73C	1	0	1	1	0	01	11	10
167	128	17F4243	2A55FDFA	1BF1007D4	6564598E78	0	0	1	0	0	10	01	11
168	129	0FE8486	54ABFBF4	17E200FA8	4AC8B31CF0	1	1	0	1	1	11	10	01
169	130	1FD090C	2957F7E8	0FC401F51	15916639E1	1	0	1	1	0	01	11	10
170	131	1FA1219	52AFefd1	1F8803EA3	2B22CC73C2	1	1	1	0	0	01	01	11
171	132	1F42432	255FDFA2	1F1007D47	564598E785	1	0	1	0	1	11	01	01
172	133	1E84865	4ABFBF44	1E200FA8F	2C8B31CF0B	1	1	1	1	1	11	11	01
173	134	1D090CB	157F7E88	1C401F51E	5916639E17	1	0	1	0	1	11	11	11
174	135	1A12196	2AFefd11	18803EA3C	322CC73C2E	1	1	1	0	0	10	11	11
175	136	142432C	55FDFA23	11007D479	64598E785C	0	1	0	0	1	01	10	11
176	137	0848659	2BFBF446	0200FA8F2	48B31CF0B9	1	1	0	1	0	10	01	10
177	138	1090CB2	57F7E88C	0401F51E4	116639E173	0	1	0	0	1	00	10	01
178	139	0121964	2FEFD118	0803EA3C8	22CC73C2E6	0	1	1	1	1	00	00	10
179	140	02432C9	5FDFA230	1007D4791	4598E785CD	0	1	0	1	0	01	00	00
180	141	0486593	3FBF4461	000FA8F23	0B31CF0B9B	0	1	0	0	0	00	01	00
181	142	090CB26	7F7E88C3	001F51E47	16639E1736	1	0	0	0	1	11	00	01
182	143	121964D	7EFD1187	003EA3C8F	2CC73C2E6C	0	1	0	1	1	01	11	00
183	144	0432C9B	7DFA230E	007D4791E	598E785CD8	0	1	0	1	1	10	01	11
184	145	0865936	7BF4461C	00FA8F23C	331CF0B9B0	1	1	0	0	0	11	10	01
185	146	10CB26D	77E88C38	01F51E479	6639E17361	0	1	0	0	0	00	11	10
186	147	01964DA	6FD11870	03EA3C8F2	4C73C2E6C2	0	1	0	0	1	10	00	11
187	148	032C9B4	5FA230E1	07D4791E4	18E785CD84	0	1	0	1	0	00	10	00
188	149	0659368	3F4461C2	0FA8F23C9	31CF0B9B09	0	0	1	1	0	00	00	10
189	150	0CB26D0	7E88C384	1F51E4793	639E173612	1	1	1	1	0	10	00	00
190	151	1964DA0	7D118709	1EA3C8F27	473C2E6C24	1	0	1	0	0	00	10	00
191	152	12C9B41	7A230E12	1D4791E4E	0E785CD848	0	0	1	0	1	01	00	10
192	153	0593683	74461C24	1A8F23C9C	1CF0B9B091	0	0	1	1	1	00	01	00
193	154	0B26D06	688C3848	151E47938	39E1736123	1	1	0	1	1	10	00	01
194	155	164DA0D	51187091	0A3C8F271	73C2E6C247	0	0	1	1	0	00	10	00
195	156	0C9B41A	2230E123	14791E4E3	6785CD848F	1	0	0	1	0	00	00	10
196	157	1936835	4461C247	08F23C9C6	4F0B9B091E	1	0	1	0	0	01	00	00
197	158	126D06A	08C3848E	11E47938D	1E1736123C	0	1	0	0	0	00	01	00
198	159	04DA0D5	1187091C	03C8F271B	3C2E6C2478	0	1	0	0	1	11	00	01
199	160	09B41AA	230E1238	0791E4E37	785CD848F1	1	0	0	0	0	01	11	00
200	161	1368354	461C2470	0F23C9C6F	70B9B091E3	0	0	1	1	1	10	01	11
201	162	06D06A9	0C3848E1	1E47938DF	61736123C6	0	0	1	0	1	00	10	01
202	163	0DA0D52	187091C3	1C8F271BE	42E6C2478D	1	0	1	1	1	00	00	10

Appendix IV - Sample Data

**Bluetooth.**

203	164	1B41AA4	30E12387	191E4E37C	05CD848F1A	1	1	1	1	0	10	00	00
204	165	1683549	61C2470F	123C9C6F9	0B9B091E34	0	1	0	1	0	00	10	00
205	166	0D06A92	43848E1E	047938DF3	1736123C68	1	1	0	0	0	00	00	10
206	167	1A0D524	07091C3C	08F271BE7	2E6C2478D1	1	0	1	0	0	01	00	00
207	168	141AA49	0E123879	11E4E37CF	5CD848F1A2	0	0	0	1	0	00	01	00
208	169	0835492	1C2470F3	03C9C6F9F	39B091E345	1	0	0	1	0	10	00	01
209	170	106A925	3848E1E6	07938DF3F	736123C68B	0	0	0	0	0	11	10	00
210	171	00D524A	7091C3CD	0F271BE7E	66C2478D16	0	1	1	1	0	01	11	10
211	172	01AA495	6123879B	1E4E37CFD	4D848F1A2D	0	0	1	1	1	10	01	11
212	173	035492A	42470F36	1C9C6F9FB	1B091E345B	0	0	1	0	1	00	10	01
213	174	06A9255	048E1E6C	1938DF3F6	36123C68B7	0	1	1	0	0	00	00	10
214	175	0D524AB	091C3CD8	1271BE7EC	6C2478D16E	1	0	0	0	1	00	00	00
215	176	1AA4957	123879B1	04E37CFD8	5848F1A2DD	1	0	0	0	1	00	00	00
216	177	15492AF	2470F363	09C6F9FB0	3091E345BA	0	0	1	1	0	01	00	00
217	178	0A9255E	48E1E6C7	138DF3F61	6123C68B75	1	1	0	0	1	00	01	00
218	179	1524ABD	11C3CD8F	071BE7EC3	42478D16EB	0	1	0	0	1	11	00	01
219	180	0A4957B	23879B1F	0E37CFD87	048F1A2DD6	1	1	1	1	1	00	11	00
220	181	1492AF6	470F363F	1C6F9FB0E	091E345BAD	0	0	1	0	1	10	00	11
221	182	09255EC	0E1E6C7F	18DF3F61D	123C68B75B	1	0	1	0	0	00	10	00
222	183	124ABD9	1C3CD8FF	11BE7EC3A	2478D16EB6	0	0	0	0	0	01	00	10
223	184	04957B3	3879B1FE	037CFD874	48F1A2DD6D	0	0	0	1	0	00	01	00
224	185	092AF66	70F363FD	06F9FB0E9	11E345BADB	1	1	0	1	1	10	00	01
225	186	1255ECD	61E6C7FA	0DF3F61D3	23C68B75B7	0	1	1	1	1	00	10	00
226	187	04ABD9B	43CD8FF5	1BE7EC3A7	478D16EB6E	0	1	1	1	1	00	00	10
227	188	0957B37	079B1FEA	17CFD874E	0F1A2DD6DD	1	1	0	0	0	01	00	00
228	189	12AF66F	0F363FD4	0F9FB0E9C	1E345BADBB	0	0	1	0	0	00	01	00
229	190	055ECDE	1E6C7FA9	1F3F61D39	3C68B75B76	0	0	1	0	1	11	00	01
230	191	0ABD9BC	3CD8FF53	1E7EC3A73	78D16EB6EC	1	1	1	1	1	00	11	00
231	192	157B379	79B1FEA7	1CFD874E6	71A2DD6DD9	0	1	1	1	1	11	00	11
232	193	0AF66F3	7363FD4E	19FB0E9CD	6345BADBB2	1	0	1	0	1	01	11	00
233	194	15ECDE6	66C7FA9D	13F61D39A	468B75B765	0	1	0	1	1	10	01	11
234	195	0BD9BCC	4D8FF53A	07EC3A735	0D16EB6ECA	1	1	0	0	0	11	10	01
235	196	17B3799	1B1FEA75	0FD874E6A	1A2DD6DD94	0	0	1	0	0	00	11	10
236	197	0F66F33	363FD4EA	1FB0E9CD5	345BADBB28	1	0	1	0	0	11	00	11
237	198	1ECDE67	6C7FA9D5	1F61D39AA	68B75B7650	1	0	1	1	0	00	11	00
238	199	1D9BCCF	58FF53AB	1EC3A7354	516EB6ECA0	1	1	1	0	1	11	00	11
239	200	1B3799E	31FEA756	1D874E6A8	22DD6DD940	1	1	1	1	1	00	11	00

- Z[0] = 3F
- Z[1] = B1
- Z[2] = 67
- Z[3] = D2
- Z[4] = 2F
- Z[5] = A6
- Z[6] = 1F
- Z[7] = B9
- Z[8] = E6
- Z[9] = 84
- Z[10] = 43
- Z[11] = 07
- Z[12] = D8
- Z[13] = 1E
- Z[14] = E7
- Z[15] = C3

Appendix IV - Sample Data



```

=====
                Reload this pattern into the LFSRs
                Hold content of Summation Combiner regs and calculate new C[t+1] and Z values
=====
LFSR1  <= 0E62F3F
LFSR2  <= 6C84A6B1
LFSR3  <= 11E431F67
LFSR4  <= 61E707B9D2
C[t+1] <= 00

```

=====
 Generating 125 key symbols (encryption/decryption sequence)
=====

240	1	0E62F3F	6C84A6B1	11E431F67	61E707B9D2	1	1	0	1	0	00	11	00
241	2	1CC5E7F	59094D63	03C863ECE	43CE0F73A5	1	0	0	1	0	11	00	11
242	3	198BCFF	32129AC6	0790C7D9D	079C1EE74A	1	0	0	1	1	01	11	00
243	4	13179FE	6425358C	0F218FB3A	0F383DCE94	0	0	1	0	0	10	01	11
244	5	062F3FD	484A6B19	1E431F675	1E707B9D28	0	0	1	0	1	00	10	01
245	6	0C5E7FB	1094D632	1C863ECEB	3CE0F73A50	1	1	1	1	0	11	00	10
246	7	18BCFF7	2129AC64	190C7D9D7	79C1EE74A1	1	0	1	1	0	00	11	00
247	8	1179FEE	425358C8	1218FB3AE	7383DCE942	0	0	0	1	1	10	00	11
248	9	02F3FDD	04A6B190	0431F675D	6707B9D285	0	1	0	0	1	11	10	00
249	10	05E7FBB	094D6320	0863ECEBB	4E0F73A50B	0	0	1	0	0	00	11	10
250	11	0BCFF77	129AC640	10C7D9D77	1C1EE74A16	1	1	0	0	0	11	00	11
251	12	179FEEE	25358C80	018FB3AEE	383DCE942C	0	0	0	0	1	10	11	00
252	13	0F3FDCC	4A6B1900	031F675DD	707B9D2859	1	0	0	0	1	01	10	11
253	14	1E7FBB8	14D63200	063ECEBBA	60F73A50B3	1	1	0	1	0	10	01	10
254	15	1CF7711	29AC6401	0C7D9D774	41EE74A167	1	1	1	1	0	10	10	01
255	16	19FEEE2	5358C803	18FB3AEE9	03DCE942CE	1	0	1	1	1	01	10	10
256	17	13FDCC4	26B19007	11F675DD2	07B9D2859C	0	1	0	1	1	01	01	10
257	18	07FBB88	4D63200E	03ECEBBA4	0F73A50B38	0	0	0	0	1	10	01	01
258	19	0FF7711	1AC6401D	07D9D7748	1EE74A1670	1	1	0	1	1	11	10	01
259	20	1FEEE23	358C803B	0FB3AEE91	3DCE942CE1	1	1	1	1	1	01	11	10
260	21	1FDCC47	6B190076	1F675DD23	7B9D2859C2	1	0	1	1	0	01	01	11
261	22	1FBB88F	563200ED	1ECEBBA47	773A50B385	1	0	1	0	1	11	01	01
262	23	1F7711E	2C6401DB	1D9D7748F	6E74A1670A	1	0	1	0	1	10	11	01
263	24	1EEE23D	58C803B6	1B3AEE91E	5CE942CE15	1	1	1	1	0	11	10	11
264	25	1DCC47A	3190076C	1675DD23D	39D2859C2B	1	1	0	1	0	01	11	10
265	26	1BB88F4	63200ED9	0CEBBA47A	73A50B3856	1	0	1	1	0	01	01	11
266	27	17711E8	46401DB2	19D7748F5	674A1670AD	0	0	1	0	0	11	01	01
267	28	0EE23D0	0C803B64	13AEE91EA	4E942CE15B	1	1	0	1	0	11	11	01
268	29	1DC47A0	190076C8	075DD23D4	1D2859C2B7	1	0	0	0	0	11	11	11
269	30	1B88F41	3200ED90	0EBBA47A9	3A50B3856E	1	0	1	0	1	11	11	11
270	31	1711E83	6401DB20	1D7748F53	74A1670ADC	0	0	1	1	1	11	11	11
271	32	0E23D07	4803B641	1AEE91EA7	6942CE15B8	1	0	1	0	1	11	11	11
272	33	1C47A0F	10076C82	15DD23D4F	52859C2B71	1	0	0	1	1	11	11	11
273	34	188F41E	200ED905	0BBA47A9E	250B3856E3	1	0	1	0	1	11	11	11
274	35	111E83C	401DB20A	17748F53D	4A1670ADC7	0	0	0	0	1	00	11	11
275	36	023D078	003B6414	0EE91EA7A	142CE15B8E	0	0	1	0	1	10	00	11
276	37	047A0F0	0076C828	1DD23D4F5	2859C2B71C	0	0	1	0	1	11	10	00
277	38	08F41E1	00ED9050	1BA47A9EA	50B3856E39	1	1	1	1	1	01	11	10
278	39	11E83C2	01DB20A0	1748F53D5	21670ADC72	0	1	0	0	0	10	01	11
279	40	03D0785	03B64141	0E91EA7AA	42CE15B8E4	0	1	1	1	1	11	10	01
280	41	07A0F0A	076C8283	1D23D4F54	059C2B71C8	0	0	1	1	1	00	11	10
281	42	0F41E14	0ED90507	1A47A9EA9	0B3856E390	1	1	1	0	1	11	00	11
282	43	1E83C29	1DB20A0F	148F53D52	1670ADC720	1	1	0	0	1	01	11	00
283	44	1D07853	3B64141E	091EA7AA5	2CE15B8E40	1	0	1	1	0	01	01	11

Appendix IV - Sample Data

**Bluetooth.**

284	45	1A0F0A6	76C8283C	123D4F54B	59C2B71C81	1	1	0	1	0	00	01	01
285	46	141E14C	6D905079	047A9EA97	33856E3902	0	1	0	1	0	10	00	01
286	47	083C299	5B20A0F2	08F53D52F	670ADC7204	1	0	1	0	0	00	10	00
287	48	1078533	364141E4	11EA7AA5E	4E15B8E408	0	0	0	0	0	01	00	10
288	49	00F0A67	6C8283C8	03D4F54BC	1C2B71C811	0	1	0	0	0	00	01	00
289	50	01E14CE	59050791	07A9EA978	3856E39022	0	0	0	0	0	11	00	01
290	51	03C299C	320A0F23	0F53D52F1	70ADC72045	0	0	1	1	1	01	11	00
291	52	0785339	64141E47	1EA7AA5E2	615B8E408A	0	0	1	0	0	10	01	11
292	53	0F0A673	48283C8E	1D4F54BC4	42B71C8115	1	0	1	1	1	11	10	01
293	54	1E14CE6	1050791C	1A9EA9788	056E39022B	1	0	1	0	1	00	11	10
294	55	1C299CD	20A0F239	153D52F10	0ADC720456	1	1	0	1	1	11	00	11
295	56	185339B	4141E472	0A7AA5E20	15B8E408AC	1	0	1	1	0	00	11	00
296	57	10A6736	0283C8E4	14F54BC41	2B71C81158	0	1	0	0	1	10	00	11
297	58	014CE6C	050791C9	09EA97882	56E39022B0	0	0	1	1	0	00	10	00
298	59	0299CD9	0A0F2393	13D52F104	2DC7204561	0	0	0	1	1	01	00	10
299	60	05339B3	141E4726	07AA5E208	5B8E408AC3	0	0	0	1	0	00	01	00
300	61	0A67366	283C8E4C	0F54BC411	371C811587	1	0	1	0	0	10	00	01
301	62	14CE6CC	50791C98	1EA978822	6E39022B0F	0	0	1	0	1	11	10	00
302	63	099CD99	20F23930	1D52F1045	5C7204561E	1	1	1	0	0	01	11	10
303	64	1339B33	41E47260	1AA5E208B	38E408AC3D	0	1	1	1	0	01	01	11
304	65	0673666	03C8E4C0	154BC4117	71C811587A	0	1	0	1	1	11	01	01
305	66	0CE6CCC	0791C980	0A978822E	639022B0F5	1	1	1	1	1	11	11	01
306	67	19CD999	0F239301	152F1045C	47204561EB	1	0	0	0	0	11	11	11
307	68	139B332	1E472603	0A5E208B9	0E408AC3D6	0	0	1	0	0	11	11	11
308	69	0736664	3C8E4C06	14BC41172	1C811587AD	0	1	0	1	1	11	11	11
309	70	0E6CCC8	791C980C	0978822E5	39022B0F5A	1	0	1	0	1	11	11	11
310	71	1CD9990	72393019	12F1045CB	7204561EB4	1	0	0	0	0	11	11	11
311	72	19B3320	64726033	05E208B97	6408AC3D69	1	0	0	0	0	11	11	11
312	73	1366640	48E4C067	0BC41172F	4811587AD3	0	1	1	0	1	11	11	11
313	74	06CCC81	1C980CF	178822E5E	1022B0F5A6	0	1	0	0	0	11	11	11
314	75	0D99903	2393019E	0F1045CBC	204561EB4C	1	1	1	0	0	10	11	11
315	76	1B33206	4726033D	1E208B979	408AC3D699	1	0	1	1	1	10	10	11
316	77	166640D	0E4C067B	1C41172F2	011587AD33	0	0	1	0	1	10	10	10
317	78	0CCC81B	1C980CF6	18822E5E5	022B0F5A66	1	1	1	0	1	01	10	10
318	79	1999036	393019EC	11045CBCA	04561EB4CD	1	0	0	0	0	01	01	10
319	80	133206C	726033D9	0208B9794	08AC3D699B	0	0	0	1	0	11	01	01
320	81	06640D9	64C067B3	041172F29	11587AD337	0	1	0	0	0	10	11	01
321	82	0CC81B3	4980CF66	0822E5E53	22B0F5A66F	1	1	1	1	0	11	10	11
322	83	1990366	13019ECC	1045CBCA6	4561EB4CDF	1	0	0	0	0	00	11	10
323	84	13206CC	26033D98	008B9794D	0AC3D699BE	0	0	0	1	1	10	00	11
324	85	0640D98	4C067B31	01172F29B	1587AD337C	0	0	0	1	1	11	10	00
325	86	0C81B30	180CF662	022E5E537	2B0F5A66F9	1	0	0	0	0	00	11	10
326	87	1903660	3019ECC5	045CBCA6F	561EB4CDF3	1	0	0	0	1	10	00	11
327	88	1206CC1	6033D98A	08B9794DE	2C3D699BE6	0	0	1	0	1	11	10	00
328	89	040D983	4067B315	1172F29BD	587AD337CC	0	0	0	0	1	11	11	10
329	90	081B306	00CF662A	02E5E537A	30F5A66F98	1	1	0	1	0	10	11	11
330	91	103660C	019ECC55	05CBCA6F4	61EB4CDF31	0	1	0	1	0	10	10	11
331	92	006CC19	033D98AB	0B9794DE8	43D699BE62	0	0	1	1	0	01	10	10
332	93	00D9833	067B3156	172F29BD0	07AD337CC5	0	0	0	1	0	01	01	10
333	94	01B3066	0CF662AC	0E5E537A0	0F5A66F98B	0	1	1	0	1	11	01	01
334	95	03660CD	19ECC559	1CBCA6F41	1EB4CDF317	0	1	1	1	0	11	11	01
335	96	06CC19B	33D98AB2	19794DE83	3D699BE62F	0	1	1	0	1	11	11	11
336	97	0D98336	67B31565	12F29BD06	7AD337CC5F	1	1	0	1	0	10	11	11
337	98	1B3066D	4F662ACA	05E537A0C	75A66F98BF	1	0	0	1	0	10	10	11
338	99	1660CDB	1ECC5594	0BCA6F418	6B4CDF317E	0	1	1	0	0	01	10	10
339	100	0CC19B7	3D98AB29	1794DE831	5699BE62FC	1	1	0	1	0	10	01	10
340	101	198336F	7B315653	0F29BD062	2D337CC5F9	1	0	1	0	0	11	10	01

Appendix IV - Sample Data

**Bluetooth.**

341	102	13066DE	7662ACA7	1E537A0C5	5A66F98BF2	0	0	1	0	0	00	11	10
342	103	060CDBC	6CC5594F	1CA6F418B	34CDF317E4	0	1	1	1	1	11	00	11
343	104	0C19B78	598AB29F	194DE8317	699BE62FC9	1	1	1	1	1	00	11	00
344	105	18336F1	3315653F	129BD062E	5337CC5F92	1	0	0	0	1	10	00	11
345	106	1066DE2	662ACA7E	0537A0C5C	266F98BF25	0	0	0	0	0	11	10	00
346	107	00CDBC5	4C5594FD	0A6F418B9	4CDF317E4B	0	0	1	1	1	00	11	10
347	108	019B78B	18AB29FA	14DE83172	19BE62FC96	0	1	0	1	0	11	00	11
348	109	0336F16	315653F4	09BD062E5	337CC5F92C	0	0	1	0	0	01	11	00
349	110	066DE2D	62ACA7E8	137A0C5CA	66F98BF258	0	1	0	1	1	10	01	11
350	111	0CDBC5B	45594FD1	06F418B95	4DF317E4B1	1	0	0	1	0	11	10	01
351	112	19B78B6	0AB29FA2	0DE83172B	1BE62FC962	1	1	1	1	1	01	11	10
352	113	136F16C	15653F45	1BD062E57	37CC5F92C5	0	0	1	1	1	10	01	11
353	114	06DE2D9	2ACA7E8B	17A0C5CAE	6F98BF258B	0	1	0	1	0	11	10	01
354	115	0DBC5B2	5594FD16	0F418B95D	5F317E4B16	1	1	1	0	0	01	11	10
355	116	1B78B64	2B29FA2C	1E83172BB	3E62FC962C	1	0	1	0	1	10	01	11
356	117	16F16C8	5653F458	1D062E577	7CC5F92C58	0	0	1	1	0	11	10	01
357	118	0DE2D91	2CA7E8B0	1A0C5CAEF	798BF258B1	1	1	1	1	1	01	11	10
358	119	1BC5B23	594FD161	1418B95DF	7317E4B163	1	0	0	0	0	10	01	11
359	120	178B647	329FA2C2	083172BBF	662FC962C7	0	1	1	0	0	11	10	01
360	121	0F16C8E	653F4584	1062E577F	4C5F92C58E	1	0	0	0	0	00	11	10
361	122	1E2D91C	4A7E8B09	00C5CAEFE	18BF258B1C	1	0	0	1	0	11	00	11
362	123	1C5B238	14FD1613	018B95DFC	317E4B1639	1	1	0	0	1	01	11	00
363	124	18B6471	29FA2C27	03172BBF9	62FC962C72	1	1	0	1	0	01	01	11
364	125	116C8E2	53F4584E	062E577F3	45F92C58E4	0	1	0	1	1	11	01	01



---

## **2 FREQUENCY HOPPING SAMPLE DATA— MANDATORY SCHEME**

---

These sets of sample data show the mandatory frequency hopping scheme for three different combinations of addresses and initial clock values. The first part is for the 79-hop system, the second is for the 23-hop system.

### **2.1 THE 79-HOP SYSTEM SAMPLE DATA**

2.1.1 First set

=====
   
79 HOP SYSTEM
   
=====

Hop sequence {k} for PAGE SCAN/INQUIRY SCAN:

CLKN start: 0x00000000

ULAP: 0x00000000

#ticks:	0000	1000	2000	3000	4000	5000	6000	7000
0x00000000:	0	2	4	6	8	10	12	14
0x00080000:	16	18	20	22	24	26	28	30
0x00100000:	32	34	36	38	40	42	44	46
0x00180000:	48	50	52	54	56	58	60	62
0x00200000:	0	2	4	6	8	10	12	14
0x00280000:	16	18	20	22	24	26	28	30
0x00300000:	32	34	36	38	40	42	44	46
0x00380000:	48	50	52	54	56	58	60	62

Hop sequence {k} for PAGE STATE/INQUIRY STATE:

CLKE start: 0x00000000

ULAP: 0x00000000

#ticks:	00 01 02 03	04 05 06 07	08 09 0a 0b	0c 0d 0e 0f
0x00000000:	48 50 09 13	52 54 41 45	56 58 11 15	60 62 43 47
0x00000010:	00 02 64 68	04 06 17 21	08 10 66 70	12 14 19 23
0x00000020:	48 50 09 13	52 54 41 45	56 58 11 15	60 62 43 47
0x00000030:	00 02 64 68	04 06 17 21	08 10 66 70	12 14 19 23
...				
0x00010000:	48 18 09 05	20 22 33 37	24 26 03 07	28 30 35 39
0x00010100:	32 34 72 76	36 38 25 29	40 42 74 78	44 46 27 31
0x00010200:	48 18 09 05	20 22 33 37	24 26 03 07	28 30 35 39
0x00010300:	32 34 72 76	36 38 25 29	40 42 74 78	44 46 27 31
...				
0x00020000:	16 18 01 05	52 54 41 45	56 58 11 15	60 62 43 47
0x00020100:	00 02 64 68	04 06 17 21	08 10 66 70	12 14 19 23
0x00020200:	16 18 01 05	52 54 41 45	56 58 11 15	60 62 43 47
0x00020300:	00 02 64 68	04 06 17 21	08 10 66 70	12 14 19 23
...				
0x00030000:	48 50 09 13	52 22 41 37	24 26 03 07	28 30 35 39
0x00030100:	32 34 72 76	36 38 25 29	40 42 74 78	44 46 27 31
0x00030200:	48 50 09 13	52 22 41 37	24 26 03 07	28 30 35 39
0x00030300:	32 34 72 76	36 38 25 29	40 42 74 78	44 46 27 31

Hop sequence {k} for SLAVE PAGE RESPONSE STATE:

CLKN\* = 0x00000010

ULAP: 0x00000000

#ticks:	00	02 04	06 08	0a 0c	0e 10	12 14	16 18	1a 1c	1e
0x00000012:	64	02 68	04 17	06 21	08 66	10 70	12 19	14 23	16
0x00000032:	01	18 05	20 33	22 37	24 03	26 07	28 35	30 39	32
0x00000052:	72	34 76	36 25	38 29	40 74	42 78	44 27	46 31	48
0x00000072:	09	50 13	52 41	54 45	56 11	58 15	60 43	62 47	00

Hop sequence {k} for MASTER PAGE RESPONSE STATE:

Offset value: 24

CLKE\* = 0x00000012

ULAP: 0x00000000

#ticks:	00 02	04 06	08 0a	0c 0e	10 12	14 16	18 1a	1c 1e
0x00000014:	02 68	04 17	06 21	08 66	10 70	12 19	14 23	16 01
0x00000034:	18 05	20 33	22 37	24 03	26 07	28 35	30 39	32 72
0x00000054:	34 76	36 25	38 29	40 74	42 78	44 27	46 31	48 09
0x00000074:	50 13	52 41	54 45	56 11	58 15	60 43	62 47	00 64

Appendix IV - Sample Data



Hop sequence {k} for CONNECTION STATE:

CLK start: 0x0000010

ULAP: 0x00000000

#ticks:	00 02	04 06	08 0a	0c 0e	10 12	14 16	18 1a	1c 1e
0x0000010:	08 66	10 70	12 19	14 23	16 01	18 05	20 33	22 37
0x0000030:	24 03	26 07	28 35	30 39	32 72	34 76	36 25	38 29
0x0000050:	40 74	42 78	44 27	46 31	48 09	50 13	52 41	54 45
0x0000070:	56 11	58 15	60 43	62 47	32 17	36 19	34 49	38 51
0x0000090:	40 21	44 23	42 53	46 55	48 33	52 35	50 65	54 67
0x00000b0:	56 37	60 39	58 69	62 71	64 25	68 27	66 57	70 59
0x00000d0:	72 29	76 31	74 61	78 63	01 41	05 43	03 73	07 75
0x00000f0:	09 45	13 47	11 77	15 00	64 49	66 53	68 02	70 06
0x0000110:	01 51	03 55	05 04	07 08	72 57	74 61	76 10	78 14
0x0000130:	09 59	11 63	13 12	15 16	17 65	19 69	21 18	23 22
0x0000150:	33 67	35 71	37 20	39 24	25 73	27 77	29 26	31 30
0x0000170:	41 75	43 00	45 28	47 32	17 02	21 04	19 34	23 36
0x0000190:	33 06	37 08	35 38	39 40	25 10	29 12	27 42	31 44
0x00001b0:	41 14	45 16	43 46	47 48	49 18	53 20	51 50	55 52
0x00001d0:	65 22	69 24	67 54	71 56	57 26	61 28	59 58	63 60
0x00001f0:	73 30	77 32	75 62	00 64	49 34	51 42	57 66	59 74
0x0000210:	53 36	55 44	61 68	63 76	65 50	67 58	73 03	75 11
0x0000230:	69 52	71 60	77 05	00 13	02 38	04 46	10 70	12 78
0x0000250:	06 40	08 48	14 72	16 01	18 54	20 62	26 07	28 15
0x0000270:	22 56	24 64	30 09	32 17	02 66	06 74	10 19	14 27
0x0000290:	04 70	08 78	12 23	16 31	18 03	22 11	26 35	30 43
0x00002b0:	20 07	24 15	28 39	32 47	34 68	38 76	42 21	46 29
0x00002d0:	36 72	40 01	44 25	48 33	50 05	54 13	58 37	62 45
0x00002f0:	52 09	56 17	60 41	64 49	34 19	36 35	50 51	52 67
0x0000310:	38 21	40 37	54 53	56 69	42 27	44 43	58 59	60 75
0x0000330:	46 29	48 45	62 61	64 77	66 23	68 39	03 55	05 71
0x0000350:	70 25	72 41	07 57	09 73	74 31	76 47	11 63	13 00
0x0000370:	78 33	01 49	15 65	17 02	66 51	70 67	03 04	07 20
0x0000390:	68 55	72 71	05 08	09 24	74 59	78 75	11 12	15 28
0x00003b0:	76 63	01 00	13 16	17 32	19 53	23 69	35 06	39 22
0x00003d0:	21 57	25 73	37 10	41 26	27 61	31 77	43 14	47 30
0x00003f0:	29 65	33 02	45 18	49 34	19 04	21 08	23 20	25 24

2.1.2 Second set

Set mode:  
Set clock:  
Set ULAP:

79 HOP SYSTEM

Hop sequence {k} for PAGE SCAN/INQUIRY SCAN:

CLKN start: 0x00000000  
ULAP: 0x2a96ef25

#ticks:	0000	1000	2000	3000	4000	5000	6000	7000
0x0000000:	49	13	17	51	55	19	23	53
0x0008000:	57	21	25	27	31	74	78	29
0x0010000:	33	76	1	35	39	3	7	37
0x0018000:	41	5	9	43	47	11	15	45
0x0020000:	49	13	17	51	55	19	23	53
0x0028000:	57	21	25	27	31	74	78	29
0x0030000:	33	76	1	35	39	3	7	37
0x0038000:	41	5	9	43	47	11	15	45

Hop sequence {k} for PAGE STATE/INQUIRY STATE:

CLKE start: 0x00000000  
ULAP: 0x2a96ef25

#ticks:	00	01	02	03	04	05	06	07	08	09	0a	0b	0c	0d	0e	0f
0x0000000:	41	05	10	04	09	43	06	16	47	11	18	12	15	45	14	32
0x0000010:	49	13	34	28	17	51	30	24	55	19	26	20	23	53	22	40
0x0000020:	41	05	10	04	09	43	06	16	47	11	18	12	15	45	14	32
0x0000030:	49	13	34	28	17	51	30	24	55	19	26	20	23	53	22	40
...																
0x0001000:	41	21	10	36	25	27	38	63	31	74	65	59	78	29	61	00
0x0001010:	33	76	02	75	01	35	77	71	39	03	73	67	07	37	69	08
0x0001020:	41	21	10	36	25	27	38	63	31	74	65	59	78	29	61	00
0x0001030:	33	76	02	75	01	35	77	71	39	03	73	67	07	37	69	08
...																
0x0002000:	57	21	42	36	09	43	06	16	47	11	18	12	15	45	14	32
0x0002010:	49	13	34	28	17	51	30	24	55	19	26	20	23	53	22	40
0x0002020:	57	21	42	36	09	43	06	16	47	11	18	12	15	45	14	32
0x0002030:	49	13	34	28	17	51	30	24	55	19	26	20	23	53	22	40
...																
0x0003000:	41	05	10	04	09	27	06	63	31	74	65	59	78	29	61	00
0x0003010:	33	76	02	75	01	35	77	71	39	03	73	67	07	37	69	08
0x0003020:	41	05	10	04	09	27	06	63	31	74	65	59	78	29	61	00
0x0003030:	33	76	02	75	01	35	77	71	39	03	73	67	07	37	69	08

Hop sequence {k} for SLAVE PAGE RESPONSE STATE:

CLKN\* = 0x00000010  
ULAP: 0x2a96ef25

#ticks:	00	02	04	06	08	0a	0c	0e	10	12	14	16	18	1a	1c	1e
0x0000012:	34	13	28	17	30	51	24	55	26	19	20	23	22	53	40	57
0x0000032:	42	21	36	25	38	27	63	31	65	74	59	78	61	29	00	33
0x0000052:	02	76	75	01	77	35	71	39	73	03	67	07	69	37	08	41
0x0000072:	10	05	04	09	06	43	16	47	18	11	12	15	14	45	32	49

Hop sequence {k} for MASTER PAGE RESPONSE STATE:

Offset value: 24  
CLKE\* = 0x00000012  
ULAP: 0x2a96ef25

#ticks:	00	02	04	06	08	0a	0c	0e	10	12	14	16	18	1a	1c	1e
0x0000014:	13	28	17	30	51	24	55	26	19	20	23	22	53	40	57	42
0x0000034:	21	36	25	38	27	63	31	65	74	59	78	61	29	00	33	02
0x0000054:	76	75	01	77	35	71	39	73	03	67	07	69	37	08	41	10
0x0000074:	05	04	09	06	43	16	47	18	11	12	15	14	45	32	49	34

Appendix IV - Sample Data



Hop sequence {k} for CONNECTION STATE:

CLK start: 0x0000010

ULAP: 0x2a96ef25

#ticks:	00 02	04 06	08 0a	0c 0e	10 12	14 16	18 1a	1c 1e
0x0000010:	55 26	19 20	23 22	53 40	57 42	21 36	25 38	27 63
0x0000030:	31 65	74 59	78 61	29 00	33 02	76 75	01 77	35 71
0x0000050:	39 73	03 67	07 69	37 08	41 10	05 04	09 06	43 16
0x0000070:	47 18	11 12	15 14	45 32	02 66	47 60	49 64	04 54
0x0000090:	06 58	51 52	53 56	08 70	10 74	55 68	57 72	59 14
0x00000b0:	61 18	27 12	29 16	63 30	65 34	31 28	33 32	67 22
0x00000d0:	69 26	35 20	37 24	71 38	73 42	39 36	41 40	75 46
0x00000f0:	77 50	43 44	45 48	00 62	26 11	69 05	73 07	36 17
0x0000110:	40 19	04 13	08 15	38 25	42 27	06 21	10 23	12 48
0x0000130:	16 50	59 44	63 46	14 56	18 58	61 52	65 54	28 64
0x0000150:	32 66	75 60	00 62	30 72	34 74	77 68	02 70	20 01
0x0000170:	24 03	67 76	71 78	22 09	58 43	24 37	26 41	68 47
0x0000190:	70 51	36 45	38 49	72 55	74 59	40 53	42 57	44 78
0x00001b0:	46 03	12 76	14 01	48 07	50 11	16 05	18 09	60 15
0x00001d0:	62 19	28 13	30 17	64 23	66 27	32 21	34 25	52 31
0x00001f0:	54 35	20 29	22 33	56 39	19 04	62 63	66 00	07 73
0x0000210:	11 10	54 69	58 06	23 75	27 12	70 71	74 08	76 33
0x0000230:	01 49	44 29	48 45	13 35	17 51	60 31	64 47	05 41
0x0000250:	09 57	52 37	56 53	21 43	25 59	68 39	72 55	78 65
0x0000270:	03 02	46 61	50 77	15 67	51 36	17 18	19 34	41 24
0x0000290:	43 40	09 22	11 38	57 28	59 44	25 26	27 42	29 63
0x00002b0:	31 00	76 61	78 77	45 67	47 04	13 65	15 02	37 71
0x00002d0:	39 08	05 69	07 06	53 75	55 12	21 73	23 10	33 16
0x00002f0:	35 32	01 14	03 30	49 20	75 60	39 48	43 56	00 66
0x0000310:	04 74	47 62	51 70	08 68	12 76	55 64	59 72	61 18
0x0000330:	65 26	29 14	33 22	69 20	73 28	37 16	41 24	77 34
0x0000350:	02 42	45 30	49 38	06 36	10 44	53 32	57 40	63 50
0x0000370:	67 58	31 46	35 54	71 52	28 13	73 03	75 11	34 17
0x0000390:	36 25	02 15	04 23	42 21	44 29	10 19	12 27	14 48
0x00003b0:	16 56	61 46	63 54	22 52	24 60	69 50	71 58	30 64
0x00003d0:	32 72	77 62	00 70	38 68	40 76	06 66	08 74	18 01
0x00003f0:	20 09	65 78	67 07	26 05	44 29	32 23	36 25	70 43

2.1.3 Third set

Set mode:  
Set clock:  
Set ULAP:

=====  
79 HOP SYSTEM  
=====

Hop sequence {k} for PAGE SCAN/INQUIRY SCAN:

CLKN start: 0x0000000  
ULAP: 0x6587cba9

#ticks:	0000	1000	2000	3000	4000	5000	6000	7000
0x0000000:	16	65	67	18	20	53	55	6
0x0008000:	8	57	59	10	12	69	71	22
0x0010000:	24	73	75	26	28	45	47	77
0x0018000:	0	49	51	2	4	61	63	14
0x0020000:	16	65	67	18	20	53	55	6
0x0028000:	8	57	59	10	12	69	71	22
0x0030000:	24	73	75	26	28	45	47	77
0x0038000:	0	49	51	2	4	61	63	14

Hop sequence {k} for PAGE STATE/INQUIRY STATE:

CLKE start: 0x0000000  
ULAP: 0x6587cba9

#ticks:	00 01 02 03	04 05 06 07	08 09 0a 0b	0c 0d 0e 0f
0x0000000:	00 49 36 38	51 02 42 40	04 61 44 46	63 14 50 48
0x0000010:	16 65 52 54	67 18 58 56	20 53 60 62	55 06 66 64
0x0000020:	00 49 36 38	51 02 42 40	04 61 44 46	63 14 50 48
0x0000030:	16 65 52 54	67 18 58 56	20 53 60 62	55 06 66 64
...				
0x0001000:	00 57 36 70	59 10 74 72	12 69 76 78	71 22 03 01
0x0001010:	24 73 05 07	75 26 11 09	28 45 13 30	47 77 34 32
0x0001020:	00 57 36 70	59 10 74 72	12 69 76 78	71 22 03 01
0x0001030:	24 73 05 07	75 26 11 09	28 45 13 30	47 77 34 32
...				
0x0002000:	08 57 68 70	51 02 42 40	04 61 44 46	63 14 50 48
0x0002010:	16 65 52 54	67 18 58 56	20 53 60 62	55 06 66 64
0x0002020:	08 57 68 70	51 02 42 40	04 61 44 46	63 14 50 48
0x0002030:	16 65 52 54	67 18 58 56	20 53 60 62	55 06 66 64
...				
0x0003000:	00 49 36 38	51 10 42 72	12 69 76 78	71 22 03 01
0x0003010:	24 73 05 07	75 26 11 09	28 45 13 30	47 77 34 32
0x0003020:	00 49 36 38	51 10 42 72	12 69 76 78	71 22 03 01
0x0003030:	24 73 05 07	75 26 11 09	28 45 13 30	47 77 34 32

Hop sequence {k} for SLAVE PAGE RESPONSE STATE:

CLKN\* = 0x0000010  
ULAP: 0x6587cba9

#ticks:	00	02 04	06 08	0a 0c	0e 10	12 14	16 18	1a 1c	1e
0x0000012:	52	65 54	67 58	18 56	20 60	53 62	55 66	06 64	08
0x0000032:	68	57 70	59 74	10 72	12 76	69 78	71 03	22 01	24
0x0000052:	05	73 07	75 11	26 09	28 13	45 30	47 34	77 32	00
0x0000072:	36	49 38	51 42	02 40	04 44	61 46	63 50	14 48	16

Hop sequence {k} for MASTER PAGE RESPONSE STATE:

Offset value: 24  
CLKE\* = 0x0000012  
ULAP: 0x6587cba9

#ticks:	00 02	04 06	08 0a	0c 0e	10 12	14 16	18 1a	1c 1e
0x0000014:	65 54	67 58	18 56	20 60	53 62	55 66	06 64	08 68
0x0000034:	57 70	59 74	10 72	12 76	69 78	71 03	22 01	24 05
0x0000054:	73 07	75 11	26 09	28 13	45 30	47 34	77 32	00 36
0x0000074:	49 38	51 42	02 40	04 44	61 46	63 50	14 48	16 52

Hop sequence {k} for CONNECTION STATE:

CLK start: 0x0000010

ULAP: 0x6587cba9

#ticks:	00 02	04 06	08 0a	0c 0e	10 12	14 16	18 1a	1c 1e
0x0000010:	20 60	53 62	55 66	06 64	08 68	57 70	59 74	10 72
0x0000030:	12 76	69 78	71 03	22 01	24 05	73 07	75 11	26 09
0x0000050:	28 13	45 30	47 34	77 32	00 36	49 38	51 42	02 40
0x0000070:	04 44	61 46	63 50	14 48	50 05	16 07	20 09	48 11
0x0000090:	52 13	06 15	10 17	38 19	42 21	08 23	12 25	40 27
0x00000b0:	44 29	22 31	26 33	54 35	58 37	24 39	28 41	56 43
0x00000d0:	60 45	77 62	02 64	30 66	34 68	00 70	04 72	32 74
0x00000f0:	36 76	14 78	18 01	46 03	72 29	42 39	44 43	74 41
0x0000110:	76 45	46 47	48 51	78 49	01 53	50 63	52 67	03 65
0x0000130:	05 69	54 55	56 59	07 57	09 61	58 71	60 75	11 73
0x0000150:	13 77	30 15	32 19	62 17	64 21	34 31	36 35	66 33
0x0000170:	68 37	38 23	40 27	70 25	27 61	72 71	76 73	25 75
0x0000190:	29 77	78 00	03 02	31 04	35 06	01 16	05 18	33 20
0x00001b0:	37 22	07 08	11 10	39 12	43 14	09 24	13 26	41 28
0x00001d0:	45 30	62 47	66 49	15 51	19 53	64 63	68 65	17 67
0x00001f0:	21 69	70 55	74 57	23 59	53 22	35 12	37 28	67 14
0x0000210:	69 30	23 32	25 48	55 34	57 50	39 40	41 56	71 42
0x0000230:	73 58	27 36	29 52	59 38	61 54	43 44	45 60	75 46
0x0000250:	77 62	15 00	17 16	47 02	49 18	31 08	33 24	63 10
0x0000270:	65 26	19 04	21 20	51 06	06 54	65 42	69 58	18 46
0x0000290:	22 62	55 64	59 01	08 68	12 05	71 72	75 09	24 76
0x00002b0:	28 13	57 66	61 03	10 70	14 07	73 74	77 11	26 78
0x00002d0:	30 15	47 32	51 48	00 36	04 52	63 40	67 56	16 44
0x00002f0:	20 60	49 34	53 50	02 38	38 78	12 05	14 13	44 07
0x0000310:	46 15	16 17	18 25	48 19	50 27	24 33	26 41	56 35
0x0000330:	58 43	20 21	22 29	52 23	54 31	28 37	30 45	60 39
0x0000350:	62 47	00 64	02 72	32 66	34 74	08 01	10 09	40 03
0x0000370:	42 11	04 68	06 76	36 70	70 31	42 35	46 43	74 39
0x0000390:	78 47	48 49	52 57	01 53	05 61	56 65	60 73	09 69
0x00003b0:	13 77	50 51	54 59	03 55	07 63	58 67	62 75	11 71
0x00003d0:	15 00	32 17	36 25	64 21	68 29	40 33	44 41	72 37
0x00003f0:	76 45	34 19	38 27	66 23	11 71	05 18	07 22	13 20

## 2.2 THE 23-HOP SYSTEM SAMPLE DATA

### 2.2.1 First set

Appendix IV - Sample Data



Set mode:  
Set clock:  
Set ULAP:

--

=====  
=  
23 HOP SYSTEM  
=====  
=

Hop sequence {k} for PAGE SCAN/INQUIRY SCAN:

CLKN start: 0x00000000  
ULAP: 0x000000000

#ticks:	0000	1000	2000	3000	4000	5000	6000	7000
0x00000000:	0	2	4	6	8	10	12	14
0x00080000:	16	18	20	22	1	3	5	7
0x00100000:	0	2	4	6	8	10	12	14
0x00180000:	16	18	20	22	1	3	5	7
0x00200000:	0	2	4	6	8	10	12	14
0x00280000:	16	18	20	22	1	3	5	7
0x00300000:	0	2	4	6	8	10	12	14
0x00380000:	16	18	20	22	1	3	5	7

Hop sequence {k} for PAGE STATE/INQUIRY STATE:

CLKE start: 0x00000000  
ULAP: 0x000000000

#ticks:	00 01 02 03	04 05 06 07	08 09 0a 0b	0c 0d 0e 0f
0x00000000:	16 18 02 10	20 22 06 14	01 03 04 12	05 07 08 16
0x00000010:	00 02 09 17	04 06 13 21	08 10 11 19	12 14 15 00
0x00000020:	16 18 02 10	20 22 06 14	01 03 04 12	05 07 08 16
0x00000030:	00 02 09 17	04 06 13 21	08 10 11 19	12 14 15 00
...				
0x00010000:	18 20 10 06	22 01 14 04	03 05 12 08	07 00 16 09
0x00010100:	02 04 17 13	06 08 21 11	10 12 19 15	14 16 00 02
0x00010200:	18 20 10 06	22 01 14 04	03 05 12 08	07 00 16 09
0x00010300:	02 04 17 13	06 08 21 11	10 12 19 15	14 16 00 02
...				
0x00020000:	20 22 06 14	01 03 04 12	05 07 08 16	00 02 09 17
0x00020100:	04 06 13 21	08 10 11 19	12 14 15 00	16 18 02 10
0x00020200:	20 22 06 14	01 03 04 12	05 07 08 16	00 02 09 17
0x00020300:	04 06 13 21	08 10 11 19	12 14 15 00	16 18 02 10
...				
0x00030000:	22 01 14 04	03 05 12 08	07 00 16 09	02 04 17 13
0x00030100:	06 08 21 11	10 12 19 15	14 16 00 02	18 20 10 06
0x00030200:	22 01 14 04	03 05 12 08	07 00 16 09	02 04 17 13
0x00030300:	06 08 21 11	10 12 19 15	14 16 00 02	18 20 10 06

Hop sequence {k} for SLAVE PAGE RESPONSE STATE:

CLKN\* = 0x00000010  
ULAP: 0x000000000

#ticks:	00	02 04	06 08	0a 0c	0e 10	12 14	16 18	1a 1c	1e
0x00000012:	09	02 17	04 13	06 21	08 11	10 19	12 15	14 00	16
0x00000032:	02	18 10	20 06	22 14	01 04	03 12	05 08	07 16	00
0x00000052:	09	02 17	04 13	06 21	08 11	10 19	12 15	14 00	16
0x00000072:	02	18 10	20 06	22 14	01 04	03 12	05 08	07 16	00

Hop sequence {k} for MASTER PAGE RESPONSE STATE:

Offset value: 24  
CLKE\* = 0x00000012  
ULAP: 0x000000000

#ticks:	00 02	04 06	08 0a	0c 0e	10 12	14 16	18 1a	1c 1e
0x00000014:	02 17	04 13	06 21	08 11	10 19	12 15	14 00	16 02
0x00000034:	18 10	20 06	22 14	01 04	03 12	05 08	07 16	00 09



Appendix IV - Sample Data



```
0x0000054:    02 17 | 04 13 | 06 21 | 08 11 | 10 19 | 12 15 | 14 00 | 16 02 |
0x0000074:    18 10 | 20 06 | 22 14 | 01 04 | 03 12 | 05 08 | 07 16 | 00 09 |
```

Hop sequence {k} for CONNECTION STATE:

```
CLK start:    0x0000010
ULAP:        0x00000000
#ticks:      00 02 | 04 06 | 08 0a | 0c 0e | 10 12 | 14 16 | 18 1a | 1c 1e |
```

```
0x0000010:    08 11 | 10 19 | 12 15 | 14 00 | 16 02 | 18 10 | 20 06 | 22 14 |
0x0000030:    01 04 | 03 12 | 05 08 | 07 16 | 16 02 | 18 10 | 20 06 | 22 14 |
0x0000050:    01 04 | 03 12 | 05 08 | 07 16 | 09 18 | 11 03 | 13 22 | 15 07 |
0x0000070:    17 20 | 19 05 | 21 01 | 00 09 | 09 18 | 13 03 | 11 20 | 15 05 |
0x0000090:    17 22 | 21 07 | 19 01 | 00 09 | 02 11 | 06 19 | 04 13 | 08 21 |
0x00000b0:    10 15 | 14 00 | 12 17 | 16 02 | 02 11 | 06 19 | 04 13 | 08 21 |
0x00000d0:    10 15 | 14 00 | 12 17 | 16 02 | 18 04 | 22 12 | 20 06 | 01 14 |
0x00000f0:    03 08 | 07 16 | 05 10 | 09 18 | 18 04 | 20 20 | 22 08 | 01 01 |
0x0000110:    11 06 | 13 22 | 15 10 | 17 03 | 03 12 | 05 05 | 07 16 | 09 09 |
0x0000130:    19 14 | 21 07 | 00 18 | 02 11 | 11 20 | 13 13 | 15 01 | 17 17 |
0x0000150:    04 22 | 06 15 | 08 03 | 10 19 | 19 05 | 21 21 | 00 09 | 02 02 |
0x0000170:    12 07 | 14 00 | 16 11 | 18 04 | 04 13 | 08 06 | 06 15 | 10 08 |
0x0000190:    20 17 | 01 10 | 22 19 | 03 12 | 12 21 | 16 14 | 14 00 | 18 16 |
0x00001b0:    05 02 | 09 18 | 07 04 | 11 20 | 20 06 | 01 22 | 22 08 | 03 01 |
0x00001d0:    13 10 | 17 03 | 15 12 | 19 05 | 05 14 | 09 07 | 07 16 | 11 09 |
0x00001f0:    21 18 | 02 11 | 00 20 | 04 13 | 13 22 | 06 07 | 17 03 | 10 11 |
0x0000210:    21 15 | 14 00 | 02 19 | 18 04 | 15 01 | 08 09 | 19 05 | 12 13 |
0x0000230:    00 17 | 16 02 | 04 21 | 20 06 | 06 15 | 22 00 | 10 19 | 03 04 |
0x0000250:    14 08 | 07 16 | 18 12 | 11 20 | 08 17 | 01 02 | 12 21 | 05 06 |
0x0000270:    16 10 | 09 18 | 20 14 | 13 22 | 22 08 | 15 16 | 01 10 | 17 18 |
0x0000290:    07 01 | 00 09 | 09 03 | 02 11 | 03 12 | 19 20 | 05 14 | 21 22 |
0x00002b0:    11 05 | 04 13 | 13 07 | 06 15 | 15 01 | 08 09 | 17 03 | 10 11 |
0x00002d0:    00 17 | 16 02 | 02 19 | 18 04 | 19 05 | 12 13 | 21 07 | 14 15 |
0x00002f0:    04 21 | 20 06 | 06 00 | 22 08 | 08 17 | 16 10 | 12 21 | 20 14 |
0x0000310:    01 02 | 09 18 | 05 06 | 13 22 | 10 19 | 18 12 | 14 00 | 22 16 |
0x0000330:    03 04 | 11 20 | 07 08 | 15 01 | 01 10 | 09 03 | 05 14 | 13 07 |
0x0000350:    17 18 | 02 11 | 21 22 | 06 15 | 03 12 | 11 05 | 07 16 | 15 09 |
0x0000370:    19 20 | 04 13 | 00 01 | 08 17 | 17 03 | 02 19 | 19 05 | 04 21 |
0x0000390:    10 11 | 18 04 | 12 13 | 20 06 | 21 07 | 06 00 | 00 09 | 08 02 |
0x00003b0:    14 15 | 22 08 | 16 17 | 01 10 | 10 19 | 18 12 | 12 21 | 20 14 |
0x00003d0:    03 04 | 11 20 | 05 06 | 13 22 | 14 00 | 22 16 | 16 02 | 01 18 |
0x00003f0:    07 08 | 15 01 | 09 10 | 17 03 | 03 12 | 05 16 | 11 20 | 13 01 |
```

2.2.2 Second set

Set mode:  
Set clock:  
Set ULAP:

23 HOP SYSTEM

Hop sequence {k} for PAGE SCAN/INQUIRY SCAN:

```

CLKN start: 0x0000000
ULAP: 0x2a96ef25
#ticks: 0000 | 1000 | 2000 | 3000 | 4000 | 5000 | 6000 | 7000 |
-----|-----|-----|-----|-----|-----|-----|-----|
0x0000000: 7 | 18 | 3 | 8 | 16 | 4 | 12 | 1 |
0x0008000: 9 | 20 | 5 | 6 | 14 | 2 | 10 | 22 |
0x0010000: 7 | 18 | 3 | 8 | 16 | 4 | 12 | 1 |
0x0018000: 9 | 20 | 5 | 6 | 14 | 2 | 10 | 22 |
0x0020000: 7 | 18 | 3 | 8 | 16 | 4 | 12 | 1 |
0x0028000: 9 | 20 | 5 | 6 | 14 | 2 | 10 | 22 |
0x0030000: 7 | 18 | 3 | 8 | 16 | 4 | 12 | 1 |
0x0038000: 9 | 20 | 5 | 6 | 14 | 2 | 10 | 22 |
    
```

Hop sequence {k} for PAGE STATE/INQUIRY STATE:

```

CLKE start: 0x0000000
ULAP: 0x2a96ef25
#ticks: 00 01 02 03 | 04 05 06 07 | 08 09 0a 0b | 0c 0d 0e 0f |
-----|-----|-----|-----|
0x0000000: 09 20 18 00 | 05 06 02 04 | 14 02 06 11 | 10 22 13 12 |
0x0000010: 07 18 14 19 | 03 08 21 08 | 16 04 10 15 | 12 01 17 16 |
0x0000020: 09 20 18 00 | 05 06 02 04 | 14 02 06 11 | 10 22 13 12 |
0x0000030: 07 18 14 19 | 03 08 21 08 | 16 04 10 15 | 12 01 17 16 |
...
0x0001000: 20 05 00 02 | 06 14 04 06 | 02 10 11 13 | 22 07 12 14 |
0x0001010: 18 03 19 21 | 08 16 08 10 | 04 12 15 17 | 01 09 16 18 |
0x0001020: 20 05 00 02 | 06 14 04 06 | 02 10 11 13 | 22 07 12 14 |
0x0001030: 18 03 19 21 | 08 16 08 10 | 04 12 15 17 | 01 09 16 18 |
...
0x0002000: 05 06 02 04 | 14 02 06 11 | 10 22 13 12 | 07 18 14 19 |
0x0002010: 03 08 21 08 | 16 04 10 15 | 12 01 17 16 | 09 20 18 00 |
0x0002020: 05 06 02 04 | 14 02 06 11 | 10 22 13 12 | 07 18 14 19 |
0x0002030: 03 08 21 08 | 16 04 10 15 | 12 01 17 16 | 09 20 18 00 |
...
0x0003000: 06 14 04 06 | 02 10 11 13 | 22 07 12 14 | 18 03 19 21 |
0x0003010: 08 16 08 10 | 04 12 15 17 | 01 09 16 18 | 20 05 00 02 |
0x0003020: 06 14 04 06 | 02 10 11 13 | 22 07 12 14 | 18 03 19 21 |
0x0003030: 08 16 08 10 | 04 12 15 17 | 01 09 16 18 | 20 05 00 02 |
    
```

Hop sequence {k} for SLAVE PAGE RESPONSE STATE:

```

CLKN* = 0x0000010
ULAP: 0x2a96ef25
#ticks: 00 | 02 04 | 06 08 | 0a 0c | 0e 10 | 12 14 | 16 18 | 1a 1c | 1e
-----|-----|-----|-----|-----|-----|-----|-----|
0x0000012: 14 | 18 19 | 03 21 | 08 08 | 16 10 | 04 15 | 12 17 | 01 16 | 09
0x0000032: 18 | 20 00 | 05 02 | 06 04 | 14 06 | 02 11 | 10 13 | 22 12 | 07
0x0000052: 14 | 18 19 | 03 21 | 08 08 | 16 10 | 04 15 | 12 17 | 01 16 | 09
0x0000072: 18 | 20 00 | 05 02 | 06 04 | 14 06 | 02 11 | 10 13 | 22 12 | 07
    
```

Hop sequence {k} for MASTER PAGE RESPONSE STATE:

```

Offset value: 24
CLKE* = 0x0000012
ULAP: 0x2a96ef25
#ticks: 00 02 | 04 06 | 08 0a | 0c 0e | 10 12 | 14 16 | 18 1a | 1c 1e |
-----|-----|-----|-----|-----|-----|-----|-----|
0x0000014: 18 19 | 03 21 | 08 08 | 16 10 | 04 15 | 12 17 | 01 16 | 09 18 |
0x0000034: 20 00 | 05 02 | 06 04 | 14 06 | 02 11 | 10 13 | 22 12 | 07 14 |
    
```

Appendix IV - Sample Data



```

                                11_23_D.LXU
0x0000054:    18 19 | 03 21 | 08 08 | 16 10 | 04 15 | 12 17 | 01 16 | 09 18 |
0x0000074:    20 00 | 05 02 | 06 04 | 14 06 | 02 11 | 10 13 | 22 12 | 07 14 |
    
```

Hop sequence {k} for CONNECTION STATE:

```

CLK start:    0x0000010
ULAP:        0x2a96ef25
#ticks:      00 02 | 04 06 | 08 0a | 0c 0e | 10 12 | 14 16 | 18 1a | 1c 1e |
-----
0x0000010:    16 10 | 04 15 | 12 17 | 01 16 | 09 18 | 20 00 | 05 02 | 06 04 |
0x0000030:    14 06 | 02 11 | 10 13 | 22 12 | 00 07 | 11 12 | 19 14 | 01 01 |
0x0000050:    09 03 | 20 08 | 05 10 | 17 09 | 02 11 | 13 16 | 21 18 | 22 20 |
0x0000070:    07 22 | 18 04 | 03 06 | 15 05 | 14 02 | 04 05 | 12 09 | 17 15 |
0x0000090:    02 19 | 15 22 | 00 03 | 10 00 | 18 04 | 08 07 | 16 11 | 13 13 |
0x00000b0:    21 17 | 11 20 | 19 01 | 06 21 | 07 18 | 20 21 | 05 02 | 10 08 |
0x00000d0:    18 12 | 08 15 | 16 19 | 03 16 | 11 20 | 01 00 | 09 04 | 06 06 |
0x00000f0:    14 10 | 04 13 | 12 17 | 22 14 | 02 09 | 05 22 | 21 01 | 03 18 |
0x0000110:    19 20 | 22 10 | 15 12 | 11 11 | 04 13 | 07 03 | 00 05 | 01 14 |
0x0000130:    17 16 | 20 06 | 13 08 | 09 07 | 18 02 | 21 15 | 14 17 | 19 11 |
0x0000150:    12 13 | 15 03 | 08 05 | 04 04 | 20 06 | 00 19 | 16 21 | 17 07 |
0x0000170:    10 09 | 13 22 | 06 01 | 02 00 | 09 20 | 14 08 | 07 12 | 12 02 |
0x0000190:    05 06 | 10 17 | 03 21 | 20 18 | 13 22 | 18 10 | 11 14 | 08 00 |
0x00001b0:    01 04 | 06 15 | 22 19 | 16 16 | 02 13 | 07 01 | 00 05 | 05 18 |
0x00001d0:    21 22 | 03 10 | 19 14 | 13 11 | 06 15 | 11 03 | 04 07 | 01 16 |
0x00001f0:    17 20 | 22 08 | 15 12 | 09 09 | 20 00 | 08 05 | 12 07 | 02 02 |
0x0000210:    06 04 | 17 09 | 21 11 | 18 06 | 22 08 | 10 13 | 14 15 | 00 17 |
0x0000230:    04 19 | 15 01 | 19 03 | 16 21 | 13 16 | 01 21 | 05 00 | 18 18 |
0x0000250:    22 20 | 10 02 | 14 04 | 11 22 | 15 01 | 03 06 | 07 08 | 16 10 |
0x0000270:    20 12 | 08 17 | 12 19 | 09 14 | 04 09 | 17 12 | 19 16 | 13 11 |
0x0000290:    15 15 | 05 18 | 07 22 | 06 13 | 08 17 | 21 20 | 00 01 | 09 03 |
0x00002b0:    11 07 | 01 10 | 03 14 | 02 05 | 20 02 | 10 05 | 12 09 | 06 04 |
0x00002d0:    08 08 | 21 11 | 00 15 | 22 06 | 01 10 | 14 13 | 16 17 | 02 19 |
0x00002f0:    04 00 | 17 03 | 19 07 | 18 21 | 15 10 | 18 00 | 22 02 | 05 20 |
0x0000310:    09 22 | 12 12 | 16 14 | 13 01 | 17 03 | 20 16 | 01 18 | 03 04 |
0x0000330:    07 06 | 10 19 | 14 21 | 11 08 | 08 03 | 11 16 | 15 18 | 21 13 |
0x0000350:    02 15 | 05 05 | 09 07 | 06 17 | 10 19 | 13 09 | 17 11 | 19 20 |
0x0000370:    00 22 | 03 12 | 07 14 | 04 01 | 22 19 | 04 07 | 06 11 | 16 06 |
0x0000390:    18 10 | 00 21 | 02 02 | 01 08 | 03 12 | 08 00 | 10 04 | 12 13 |
0x00003b0:    14 17 | 19 05 | 21 09 | 20 15 | 15 12 | 20 00 | 22 04 | 09 22 |
0x00003d0:    11 03 | 16 14 | 18 18 | 17 01 | 19 05 | 01 16 | 03 20 | 05 06 |
0x00003f0:    07 10 | 12 21 | 14 02 | 13 08 | 19 17 | 07 22 | 15 15 | 02 20 |
    
```

2.2.3 Third set

Set mode:  
Set clock:  
Set ULAP:

--

=====  
23 HOP SYSTEM  
=====

Hop sequence {k} for PAGE SCAN/INQUIRY SCAN:

CLKN start: 0x00000000  
ULAP: 0x6587cba9

#ticks:	0000	1000	2000	3000	4000	5000	6000	7000
0x00000000:	0	10	14	12	16	9	13	11
0x00080000:	15	2	6	4	8	17	21	19
0x00100000:	0	10	14	12	16	9	13	11
0x00180000:	15	2	6	4	8	17	21	19
0x00200000:	0	10	14	12	16	9	13	11
0x00280000:	15	2	6	4	8	17	21	19
0x00300000:	0	10	14	12	16	9	13	11
0x00380000:	15	2	6	4	8	17	21	19

Hop sequence {k} for PAGE STATE/INQUIRY STATE:

CLKE start: 0x00000000  
ULAP: 0x6587cba9

#ticks:	00 01 02 03	04 05 06 07	08 09 0a 0b	0c 0d 0e 0f
0x00000000:	15 02 05 11	06 04 19 13	08 17 21 22	21 19 07 01
0x00000010:	00 10 09 15	14 12 00 17	16 09 02 18	13 11 03 20
0x00000020:	15 02 05 11	06 04 19 13	08 17 21 22	21 19 07 01
0x00000030:	00 10 09 15	14 12 00 17	16 09 02 18	13 11 03 20
...				
0x00010000:	02 06 11 19	04 08 13 21	17 21 22 07	19 00 01 09
0x00010100:	10 14 15 00	12 16 17 02	09 13 18 03	11 15 20 05
0x00010200:	02 06 11 19	04 08 13 21	17 21 22 07	19 00 01 09
0x00010300:	10 14 15 00	12 16 17 02	09 13 18 03	11 15 20 05
...				
0x00020000:	06 04 19 13	08 17 21 22	21 19 07 01	00 10 09 15
0x00020100:	14 12 00 17	16 09 02 18	13 11 03 20	15 02 05 11
0x00020200:	06 04 19 13	08 17 21 22	21 19 07 01	00 10 09 15
0x00020300:	14 12 00 17	16 09 02 18	13 11 03 20	15 02 05 11
...				
0x00030000:	04 08 13 21	17 21 22 07	19 00 01 09	10 14 15 00
0x00030100:	12 16 17 02	09 13 18 03	11 15 20 05	02 06 11 19
0x00030200:	04 08 13 21	17 21 22 07	19 00 01 09	10 14 15 00
0x00030300:	12 16 17 02	09 13 18 03	11 15 20 05	02 06 11 19

Hop sequence {k} for SLAVE PAGE RESPONSE STATE:

CLKN\* = 0x00000010  
ULAP: 0x6587cba9

#ticks:	00	02 04	06 08	0a 0c	0e 10	12 14	16 18	1a 1c	1e
0x00000012:	09	10 15	14 00	12 17	16 02	09 18	13 03	11 20	15
0x00000032:	05	02 11	06 19	04 13	08 21	17 22	21 07	19 01	00
0x00000052:	09	10 15	14 00	12 17	16 02	09 18	13 03	11 20	15
0x00000072:	05	02 11	06 19	04 13	08 21	17 22	21 07	19 01	00

Hop sequence {k} for MASTER PAGE RESPONSE STATE:

Offset value: 24  
CLKE\* = 0x00000012  
ULAP: 0x6587cba9

#ticks:	00 02	04 06	08 0a	0c 0e	10 12	14 16	18 1a	1c 1e
0x00000014:	10 15	14 00	12 17	16 02	09 18	13 03	11 20	15 05
0x00000034:	02 11	06 19	04 13	08 21	17 22	21 07	19 01	00 09

Appendix IV - Sample Data



```

0x0000054:      10 15 | 14 00 | 12 17 | 16 02 | 09 18 | 13 03 | 11 20 | 15 05 |
0x0000074:      02 11 | 06 19 | 04 13 | 08 21 | 17 22 | 21 07 | 19 01 | 00 09 |
    
```

Hop sequence {k} for CONNECTION STATE:

```

CLK start:      0x0000010
ULAP:          0x6587cba9
#ticks:        00 02 | 04 06 | 08 0a | 0c 0e | 10 12 | 14 16 | 18 1a | 1c 1e |
    
```

0x0000010:	16 02	09 18	13 03	11 20	15 05	02 11	06 19	04 13
0x0000030:	08 21	17 22	21 07	19 01	16 02	03 08	07 16	05 10
0x0000050:	09 18	02 11	06 19	04 13	08 21	18 04	22 12	20 06
0x0000070:	01 14	10 15	14 00	12 17	09 18	19 22	21 07	00 03
0x0000090:	02 11	18 04	20 12	22 08	01 16	11 20	13 05	15 01
0x00000b0:	17 09	03 06	05 14	07 10	02 11	12 15	14 00	16 19
0x00000d0:	18 04	11 20	13 05	15 01	17 09	04 13	06 21	08 17
0x00000f0:	10 02	19 22	21 07	00 03	03 12	05 02	09 18	07 04
0x0000110:	11 20	04 13	08 06	06 15	10 08	12 21	16 14	14 00
0x0000130:	18 16	20 17	01 10	22 19	19 05	21 18	02 11	00 20
0x0000150:	04 13	20 06	01 22	22 08	03 01	05 14	09 07	07 16
0x0000170:	11 09	13 10	17 03	15 12	12 21	14 09	16 02	18 13
0x0000190:	20 06	13 22	15 15	17 03	19 19	21 07	00 00	02 11
0x00001b0:	04 04	06 01	08 17	10 05	05 14	07 02	09 18	11 06
0x00001d0:	13 22	06 15	08 08	10 19	12 12	14 00	16 16	18 04
0x00001f0:	20 20	22 17	01 10	03 21	13 22	17 05	21 07	02 13
0x0000210:	06 15	22 08	03 10	07 16	11 18	15 01	19 03	00 09
0x0000230:	04 11	01 12	05 14	09 20	06 15	10 21	14 00	18 06
0x0000250:	22 08	15 01	19 03	00 09	04 11	08 17	12 19	16 02
0x0000270:	20 04	17 05	21 07	02 13	22 08	05 12	07 16	13 20
0x0000290:	15 01	08 17	10 21	16 02	18 06	01 10	03 14	09 18
0x00002b0:	11 22	12 19	14 00	20 04	15 01	21 05	00 09	06 13
0x00002d0:	08 17	01 10	03 14	09 18	11 22	17 03	19 07	02 11
0x00002f0:	04 15	05 12	07 16	13 20	16 02	04 15	08 17	20 08
0x0000310:	01 10	17 03	21 05	10 19	14 21	02 11	06 13	18 04
0x0000330:	22 06	19 07	00 09	12 00	09 18	20 08	01 10	13 01
0x0000350:	17 03	10 19	14 21	03 12	07 14	18 04	22 06	11 20
0x0000370:	15 22	12 00	16 02	05 16	02 11	15 22	17 03	08 15
0x0000390:	10 19	03 12	05 16	19 05	21 09	11 20	13 01	04 13
0x00003b0:	06 17	07 14	09 18	00 07	18 04	08 15	10 19	01 08
0x00003d0:	03 12	19 05	21 09	12 21	14 02	04 13	06 17	20 06
0x00003f0:	22 10	00 07	02 11	16 00	15 01	01 18	17 03	03 20

### 3 ACCESS CODE SAMPLE DATA

#### Different access codes (GIAC, DIACs, others...)

LAP with LSB as rightmost bit.

Bit transmit order on air				
----->				
LAP:	Preamble:	Sync word:	Trailer:	
-----				
000000	5	7e7041e3	4000000d	5
ffffff	a	e758b522	7fffffff2	a
9e8b33	5	475c58cc	73345e72	a
9e8b34	5	28ed3c34	cb345e72	a
9e8b36	5	62337b64	1b345e72	a
9e8b39	a	c05747b9	e7345e72	a
9e8b3d	5	7084eab0	2f345e72	a
9e8b42	5	64c86d2b	90b45e72	a
9e8b48	a	e3c3725e	04b45e72	a
9e8b4f	a	8c7216a6	bc345e72	a
9e8b57	a	b2f16c30	fab45e72	a
9e8b60	5	57bd3b22	c1b45e72	a
9e8b6a	a	d0b62457	55b45e72	a
9e8b75	a	81843a39	abb45e72	a
9e8b81	5	0ca96681	e0745e72	a
9e8b8e	a	aecd5a5c	1c745e72	a
9e8b9c	5	17453fbf	ce745e72	a
9e8bab	a	f20968ad	f5745e72	a
9e8bbb	5	015f4a1e	f7745e72	a
9e8bcc	a	d8c695a0	0cf45e72	a
9e8bde	5	614ef043	def45e72	a
9e8bf1	a	ba81ddc7	a3f45e72	a
9e8c05	5	64a7dc4f	680c5e72	a
9e8c1a	5	3595c221	960c5e72	a
9e8c30	a	cb35cc0d	830c5e72	a
9e8c47	5	12ac13b3	788c5e72	a
9e8c5f	5	2c2f6925	3e8c5e72	a
9e8c78	5	3a351c84	078c5e72	a
9e8c92	5	7396d0f3	124c5e72	a
9e8cad	5	5b0fdfc4	6d4c5e72	a
9e8cc9	a	aea2eb38	e4cc5e72	a
9e8ce6	5	756dc6bc	99cc5e72	a
9e8d04	5	214cf934	882c5e72	a
9e8d23	5	37568c95	b12c5e72	a
9e8d43	5	72281560	f0ac5e72	a
9e8d64	5	643260c1	c9ac5e72	a
9e8d86	a	e044f493	986c5e72	a
9e8da9	5	3b8bd917	e56c5e72	a
9e8dcd	a	ce26edeb	6cec5e72	a
9e8df2	a	e6bfe2dc	13ec5e72	a
9e8e18	a	82dcde3d	c61c5e72	a
9e8e3f	a	94c6ab9c	ff1c5e72	a

Appendix IV - Sample Data

**Bluetooth.**

9e8e67		a		969059a6 799c5e72		a	
9e8e90		a		c4dfccefc 425c5e72		a	
9e8eba		5		3a7fc2c3 575c5e72		a	
9e8ee5		5		57985401 69dc5e72		a	
9e8f11		5		0ae2a363 623c5e72		a	
9e8f3e		a		d12d8ee7 1f3c5e72		a	
9e8f6c		5		547063a8 0dbc5e72		a	
9e8f9b		5		063ff6e1 367c5e72		a	
9e8fcb		a		c9bc5cfe f4fc5e72		a	
9e8ffc		5		2cf00bec cffc5e72		a	
9e902e		a		8ec5052f 5d025e72		a	
9e9061		5		1074b15e 61825e72		a	
9e9095		a		9d59ede6 2a425e72		a	
9e90ca		a		f0be7b24 14c25e72		a	
9e9100		5		10e10dd0 c0225e72		a	
9e9137		a		f5ad5ac2 fb225e72		a	
9e916f		a		f7fba8f8 7da25e72		a	
9e91a8		5		2f490e5b c5625e72		a	
9e91e2		a		94979982 91e25e72		a	
9e921d		5		26cda478 2e125e72		a	
9e9259		a		aacb81dd 26925e72		a	
9e9296		a		bfac7f5b da525e72		a	
9e92d4		a		c9a7b0a7 cad25e72		a	
9e9313		a		c142bdde 32325e72		a	
616cec		5		586a491f 0dcda18d		5	
616ceb		5		37db2de7 b5cda18d		5	
616ce9		5		7d056ab7 65cda18d		5	
616ce6		a		df61566a 99cda18d		5	
616ce2		5		6fb2fb63 51cda18d		5	
616cdd		5		472bf454 2ecda18d		5	
616cd7		a		c020eb21 bacda18d		5	
616cd0		a		af918fd9 02cda18d		5	
616cc8		a		9112f54f 44cda18d		5	
616cbf		5		488b2af1 bf4da18d		5	
616cb5		a		cf803584 2b4da18d		5	
616caa		a		9eb22bea d54da18d		5	
616c9e		a		a49cb509 9e4da18d		5	
616c91		5		06f889d4 624da18d		5	
616c83		a		bf70ec37 b04da18d		5	
616c74		a		ed3f797e 8b8da18d		5	
616c64		5		1e695bcd 898da18d		5	
616c53		a		fb250cdf b28da18d		5	
616c41		5		42ad693c 608da18d		5	
616c2e		a		a5b7cc14 dd0da18d		5	
616c1a		a		9f9952f7 960da18d		5	
616c05		a		ceab4c99 680da18d		5	
616bef		a		d403ddde fdf5a18d		5	
616bd8		5		314f8acc c6f5a18d		5	
616bc0		5		0fccf05a 80f5a18d		5	
616ba7		5		25030d57 7975a18d		5	
616b8d		a		dba3037b 6c75a18d		5	
616b72		5		4439ce17 13b5a18d		5	

*Appendix IV - Sample Data***Bluetooth.**

616b56		a		8d417247 5ab5a18d		5	
616b39		5		6a5bd76f e735a18d		5	
616b1b		5		592e8166 b635a18d		5	
616afc		5		28609d46 cfd5a18d		5	
616adc		5		51cb8c1f 4ed5a18d		5	
616abb		5		7b047112 b755a18d		5	
616a99		5		4871271b e655a18d		5	
616a76		5		24bdc8c4 9b95a18d		5	
616a52		a		edc57494 d295a18d		5	
616a2d		a		f989f30f 6d15a18d		5	
616a07		5		0729fd23 7815a18d		5	
6169e0		a		8bf0ba4f 81e5a18d		5	
6169b8		a		89a64875 0765a18d		5	
61698f		5		6cea1f67 3c65a18d		5	
616965		5		2549d310 29a5a18d		5	
61693a		5		48ae45d2 1725a18d		5	
61690e		5		7280db31 5c25a18d		5	
6168e1		a		ce1b9f34 61c5a18d		5	
6168b3		5		4b46727b 7345a18d		5	
616884		a		ae0a2569 4845a18d		5	
616854		a		ea5fc581 4a85a18d		5	
616823		5		33c61a3f b105a18d		5	
6167f1		a		c49fb8c5 63f9a18d		5	
6167be		5		5a2e0cb4 5f79a18d		5	
61678a		5		60009257 1479a18d		5	
616755		a		86314e62 eab9a18d		5	
61671f		5		3defd9bb be39a18d		5	
6166e8		a		bff7e728 c5d9a18d		5	
6166b0		a		bda11512 4359a18d		5	
616677		5		6513b3b1 fb99a18d		5	
61663d		a		dec2468 af19a18d		5	
616602		a		f6542b5f d019a18d		5	
6165c6		a		dc44b49b d8e9a18d		5	
616589		5		42f500ea e469a18d		5	
61654b		a		bf2885e1 34a9a18d		5	
61650c		a		ec4c69b5 4c29a18d		5	



## 4 HEC AND PACKET HEADER SAMPLE DATA

Test vectors for HEC and header. Note that UAP, Data, and HEC are in hexadecimal notation, while the header is in octal notation. The header is transmitted from left to right over air.

UAP	Data	HEC	Header (octal not.)
00	123	e1	770007 007070 000777
47	123	06	770007 007007 700000
00	124	32	007007 007007 007700
47	124	d5	007007 007070 707077
00	125	5a	707007 007007 077070
47	125	bd	707007 007070 777707
00	126	e2	077007 007007 000777
47	126	05	077007 007070 700000
00	127	8a	777007 007007 070007
47	127	6d	777007 007070 770770
00	11b	9e	770770 007007 777007
47	11b	79	770770 007070 077770
00	11c	4d	007770 007070 770070
47	11c	aa	007770 007007 070707
00	11d	25	707770 007070 700700
47	11d	c2	707770 007007 000077
00	11e	9d	077770 007070 777007
47	11e	7a	077770 007007 077770
00	11f	f5	777770 007070 707777
47	11f	12	777770 007007 007000

## 5 CRC SAMPLE DATA

---

Sample CRC generation

Data:

-----

data[0] = 0x4e  
data[1] = 0x01  
data[2] = 0x02  
data[3] = 0x03  
data[4] = 0x04  
data[5] = 0x05  
data[6] = 0x06  
data[7] = 0x07  
data[8] = 0x08  
data[9] = 0x09

UAP = 0x47

==> CRC = 6d d2

Codeword (hexadecimal notation):

-----

4e 01 02 03 04 05 06 07 08 09 6d d2

NB: Over air each byte in the codeword  
is sent with the LSB first.

## 6 COMPLETE SAMPLE PACKETS

### 6.1 EXAMPLE OF DH1 PACKET

Packet header: (MSB...LSB)

-----

AM\_ADDR = 011

TYPE = 0100 (DH1)

FLOW = 0

ARQN = 1

SEQN = 0

Payload: (MSB...LSB)

-----

payload length: 5 bytes

logical channel = 10 (UA/I, Start L2CAP message)

flow = 1

data byte 1 = 00000001

data byte 2 = 00000010

data byte 3 = 00000011

data byte 4 = 00000100

data byte 5 = 00000101

HEC and CRC initialization: (MSB...LSB)

-----

uap = 01000111

NO WHITENING USED

AIR DATA (LSB...MSB)

Packet header (incl HEC):

-----

111111000

000000111000

000111000

000111111000000000000000

Payload (incl payload header and CRC):

-----

01110100

10000000

01000000

11000000

00100000

10100000

1110110000110110

**6.2 EXAMPLE OF DM1 PACKET**

Packet header: (MSB...LSB)

-----

AM\_ADDR = 011  
 TYPE = 0011 (DM1)  
 FLOW = 0  
 ARQN = 1  
 SEQN = 0

Payload: (MSB...LSB)

-----

payload length: 5 bytes  
 logical channel = 10 (UA/I, Start L2CAP message)  
 flow = 1  
 data byte 1 = 00000001  
 data byte 2 = 00000010  
 data byte 3 = 00000011  
 data byte 4 = 00000100  
 data byte 5 = 00000101

HEC and CRC initialization: (MSB...LSB)

-----

uap = 01000111

NO WHITENING USED

AIR DATA (LSB...MSB)

Packet header (incl HEC):

-----

111111000  
 111111000000  
 000111000  
 11100000011111111111000

Payload (incl payload header, FEC23, CRC and 6 padded zeros):

-----

0111010010 11001  
 0000000100 01011  
 0000110000 11110  
 0000100000 00111  
 1010000011 01100  
 1011000011 00010  
 0110000000 10001

## 7 WHITENING SEQUENCE SAMPLE DATA

Whitening sequence generator.

Whitening Sequence (=D7)	Whitening LFSR D7.....D0
1	1111111
1	1101111
1	1001111
0	0001111
0	0011110
0	0111100
1	1111000
1	1100001
1	1010011
0	0110111
1	1101110
1	1001101
0	0001011
0	0010110
0	0101100
1	1011000
0	0100001
1	1000010
0	0010101
0	0101010
1	1010100
0	0111001
1	1110010
1	1110101
1	1111011
1	1100111
1	1011111
0	0101111
1	1011110
0	0101101
1	1011010
0	0100101
1	1001010
0	0000101
0	0001010
0	0010100
0	0101000
1	1010000
0	0110001
1	1100010
1	1010101
0	0111011
1	1110110

---

*Appendix IV - Sample Data***Bluetooth.**

1	1111101
1	1101011
1	1000111
0	0011111
0	0111110
1	1111100
1	1101001
1	1000011
0	0010111
0	0101110
1	1011100
0	0101001
1	1010010
0	0110101
1	1101010
1	1000101
0	0011011
0	0110110
1	1101100
1	1001001
0	0000011
0	0000110
0	0001100
0	0011000
0	0110000
1	1100000
1	1010001
0	0110011
1	1100110
1	1011101
0	0101011
1	1010110
0	0111101
1	1111010
1	1100101
1	1011011
0	0100111
1	1001110
0	0001101
0	0011010
0	0110100
1	1101000
1	1000001
0	0010011
0	0100110
1	1001100
0	0001001
0	0010010
0	0100100
1	1001000
0	0000001
0	0000010

---

*Appendix IV - Sample Data***Bluetooth.**

0	0000100
0	0001000
0	0010000
0	0100000
1	1000000
0	0010001
0	0100010
1	1000100
0	0011001
0	0110010
1	1100100
1	1011001
0	0100011
1	1000110
0	0011101
0	0111010
1	1110100
1	1111001
1	1100011
1	1010111
0	0111111
1	1111110
1	1101101
1	1001011
0	0000111
0	0001110
0	0011100
0	0111000
1	1110000
1	1110001
1	1110011
1	1110111
1	1111111

## 8 FEC SAMPLE DATA

```

=====
Rate 2/3 FEC -- (15,10) Shortened Hamming Code
=====

```

Data is in hexadecimal notation, the codewords are in binary notation. The codeword bits are sent from left to right over the air interface. The space in the codeword indicates the start of parity bits.

Data:	Codeword:
0x001	1000000000 11010
0x002	0100000000 01101
0x004	0010000000 11100
0x008	0001000000 01110
0x010	0000100000 00111
0x020	0000010000 11001
0x040	0000001000 10110
0x080	0000000100 01011
0x100	0000000010 11111
0x200	0000000001 10101



## 9 ENCRYPTION KEY SAMPLE DATA

Explanation:

Key [ i]: denotes the *i*th sub-key in *A<sub>r</sub>* or *A'<sub>r</sub>*;  
 round *r*: denotes the input to the *r*th round;  
 added ->: denotes the input to round 3 in  
           *A'<sub>r</sub>* after adding original input (of round 1).

### 9.1 FOUR TESTS OF E1

```

rand      :00000000000000000000000000000000
address   :000000000000
key       :00000000000000000000000000000000
round  1:00000000000000000000000000000000
Key [ 1]:00000000000000000000000000000000
Key [ 2]:4697b1baa3b7100ac537b3c95a28ac64
round  2:78d19f9307d2476a523ec7a8a026042a
Key [ 3]:ecabaac66795580df89af66e66dc053d
Key [ 4]:8ac3d8896ae9364943bfabd4969b68a0
round  3:600265247668dda0e81c07bbb30ed503
Key [ 5]:5d57921fd5715cbb22c1be7bbc996394
Key [ 6]:2a61b8343219fdfb1740e6511d41448f
round  4:d7552ef7cc9dbde568d80c2215bc4277
Key [ 7]:dd0480dee731d67f01a2f739da6f23ca
Key [ 8]:3ad01cd1303e12a1cd0fe0a8af82592c
round  5:fb06bef32b52ab8f2a4f2b6ef7f6d0cd
Key [ 9]:7dadbb2efc287ce75061302904f2e7233
Key [10]:c08dcfa981e2c4272f6c7a9f52e11538
round  6:b46b711ebb3cf69e847a75f0ab884bdd
Key [11]:fc2042c708e409555e8c147660ffdfd7
Key [12]:fa0b21001af9a6b9e89e624cd99150d2
round  7:c585f308ff19404294f06b292e978994
Key [13]:18b40784ea5ba4c80ecb48694b4e9c35
Key [14]:454d54e5253c0c4a8b3fcca7db6baef4
round  8:2665fadbb13acf952bf74b4ab12264b9f
Key [15]:2df37c6d9db52674f29353b0f011ed83
Key [16]:b60316733b1e8e70bd861b477e2456f1
Key [17]:884697b1baa3b7100ac537b3c95a28ac
round  1:158ffe43352085e8a5ec7a88e1ff2ba8
Key [ 1]:e9e5dfc1b3a79583e9e5dfc1b3a79583
Key [ 2]:7595bf57e0632c59f435c16697d4c864
round  2:0b5cc75fcbcdf7827ca29ec0901b6b5b
Key [ 3]:e31b96afcc75d286ef0ae257cbbc05b7
Key [ 4]:0d2a27b471bc0108c6263aff9d9b3b6b
round  3:e4278526c8429211f7f2f0016220aef4
added ->:f1b68365fd6217f952de6a89831fd95c
Key [ 5]:98d1eb5773cf59d75d3b17b3bc37c191
Key [ 6]:fd2b79282408ddd4ea0aa7511133336f
round  4:d0304ad18337f86040145d27aa5c8153
Key [ 7]:331227756638a41d57b0f7e071ee2a98

```

Appendix IV - Sample Data



```

Key [ 8]:aa0dd8cc68b406533d0f1d64aabacf20
round 5:84db909d213bb0172b8b6aaf71bf1472
Key [ 9]:669291b0752e63f806fce76f10e119c8
Key [10]:ef8bdd46be8ee0277e9b78adef1ec154
round 6:f835f52921e903dfa762f1df5abd7f95
Key [11]:f3902eb06dc409cfd78384624964bf51
Key [12]:7d72702b21f97984a721c99b0498239d
round 7:ae6c0b4bb09f25c6a5d9788a31b605d1
Key [13]:532e60bceaf902c52a06c2c283ecfa32
Key [14]:181715e5192efb2a64129668cf5d9dd4
round 8:744a6235b86cc0b853cc9f74f6b65311
Key [15]:83017c1434342d4290e961578790f451
Key [16]:2603532f365604646ff65803795ccce5
Key [17]:882f7c907b565ea58dae1c928a0dcf41
sres   :056c0fe6
aco    :48afcd4bd40fef76693b113
-----
rand   :bc3f30689647c8d7c5a03ca80a91eceb
address :7ca89b233c2d
key    :159dd9f43fc3d328efba0cd8a861fa57
round 1:bc3f30689647c8d7c5a03ca80a91eceb
Key [ 1]:159dd9f43fc3d328efba0cd8a861fa57
Key [ 2]:326558b3c15551899a97790e65ff669e
round 2:3e950edf197615638cc19c09f8fedc9b
Key [ 3]:62e879b65b9f53bbfbd020c624b1d682
Key [ 4]:73415f30bac8ab61f410adc9442992db
round 3:6a7640791cb536678936c5ecd4ae5a73
Key [ 5]:5093cfa1d31c1c48acd76df030ea3c31
Key [ 6]:0b4acc2b8f1f694fc7bd91f4a70f3009
round 4:fca2c022a577e2ffb2aa007589693ec7
Key [ 7]:2ca43fc817947804ecff148d50d6f6c6
Key [ 8]:3fcd73524b533e00b7f7825bea2040a4
round 5:e97f8ea4ed1a6f4a36ffc179dc6bb563
Key [ 9]:6c67bec76ae8c8cc4d289f69436d3506
Key [10]:95ed95ee8cb97e61d75848464bffb379
round 6:38b07261d7340d028749de1773a415c7
Key [11]:ff566c1fc6b9da9ac502514550f3e9d2
Key [12]:ab5ce3f5c887d0f49b87e0d380e12f47
round 7:58241f1aed7c1c3e047d724331a0b774
Key [13]:a2cab6f95eac7d655dbe84a6cd4c47f5
Key [14]:f5caff88af0af8c42a20b5bbd2c8b460
round 8:3d1aaeff53c0910de63b9788b13c490f
Key [15]:185099c1131cf97001e2f36fda415025
Key [16]:a0ebb82676bc75e8378b189eff3f6b1d
Key [17]:cf5b348aaee27ae332b4f1bfa10289a6
round 1:2e4b417b9a2a9cfd7d8417d9a6a556eb
Key [ 1]:fe78b835f26468ab069fd3991b086fda
Key [ 2]:095c5a51c6fa6d3ac1d57fa19aa382bd
round 2:b8bca81d6bb45af9d92beadd9300f5ed
Key [ 3]:1af866df817fd9f4ec00bc704192cffc
Key [ 4]:f4a8a059c1f575f076f5fbb24bf16590
round 3:351aa16dec2c3a4787080249ed323eae
    
```

Appendix IV - Sample Data



```

added ->:1b65e2167656d6bafa8c19904bd79445
Key [ 5]:8c9d18d9356a9954d341b4286e88ea1f
Key [ 6]:5c958d370102c9881bf753e69c7da029
round 4:2ce8fef47dda6a5bee74372e33e478a2
Key [ 7]:7eb2985c3697429fbe0da334bb51f795
Key [ 8]:af900f4b63a1138e2874bfb7c628b7b8
round 5:572787f563e1643c1c862b7555637fb4
Key [ 9]:834c8588dd8f3d4f31117a488420d69b
Key [10]:bc2b9b81c15d9a80262f3f48e9045895
round 6:16b4968c5d02853c3a43aa4cdb5f26ac
Key [11]:f08608c9e39ad3147cba61327919c958
Key [12]:2d4131decf4fa3a959084714a9e85c11
round 7:10e4120c7cccef9dd4ba4e6da8571b01
Key [13]:c934fd319c4a2b5361fa8eef05ae9572
Key [14]:4904c17aa47868e40471007cde3a97c0
round 8:f9081772498fed41b6ffd72b71fcf6c6
Key [15]:ea5e28687e97fa3f833401c86e6053ef
Key [16]:1168f58252c4ecfccafb3af857b9f2
Key [17]:b3440f69ef951b78b5cbd6866275301b
sres      :8d5205c5
aco       :3ed75df4abd9af638d144e94
-----
rand      :0891caee063f5da1809577ff94ccdcfb
address   :c62f19f6ce98
key       :45298d06e46bac21421ddfbed94c032b
round 1:0891caee063f5da1809577ff94ccdcfb
Key [ 1]:45298d06e46bac21421ddfbed94c032b
Key [ 2]:8f03e1e1fe1c191cad35a897bc400597
round 2:1c6ca013480a685c1b28e0317f7167e1
Key [ 3]:4f2ce3a092dde854ef496c8126a69e8e
Key [ 4]:968caee2ac6d7008c07283daec67f2f2
round 3:06b4915f5fcc1fc551a52048f0af8a26
Key [ 5]:ab0d5c31f94259a6bf85ee2d22edf56c
Key [ 6]:dfb74855c0085ce73dc17b84bfd50a92
round 4:077a92b040acc86e6e0a877db197a167
Key [ 7]:8f888952662b3db00d4e904e7ea53b5d
Key [ 8]:5e18bfcc07799b0132db88cd6042f599
round 5:7204881fb300914825fdc863e8ceadf3
Key [ 9]:bfca91ad9bd3d1a06c582b1d5512dddf
Key [10]:a88bc477e3fal5a59b5e6cf793c7a41
round 6:27031131d86cea2d747deb4f756143aa
Key [11]:f3cfb8dac8aea2a6a8ef95af3a2a2767
Key [12]:77beb90670c5300b03aa2b2232d3d40c
round 7:fc8c13d49149b1ce8d86f96e44a00065
Key [13]:b578373650af36a06e19fe335d726d32
Key [14]:6bcee918c7d0d24dfdf42237fcf99d53
round 8:04ef5f5a7ddf846cda0a07782fc23866
Key [15]:399f158241eb3e079f45d7b96490e7ea
Key [16]:1bcfbe98ecde2add52aa63ea79fb917a
Key [17]:ee8bc03ec08722bc2b075492873374af
round 1:d989d7a40cde7032d17b52f8117b69d5
Key [ 1]:2ecc6cc797cc41a2ab02007f6af396ae
    
```

Appendix IV - Sample Data



```

Key [ 2]:acfaef7609c12567d537ae1cf9dc2198
round 2:8e76eb9a29b2ad5eea790db97aee37c1
Key [ 3]:079c8ff9b73d428df879906a0b87a6c8
Key [ 4]:19f2710baf403a494193d201f3a8c439
round 3:346bb7c35b2539676375aafe3af69089
added ->:edf48e675703a955b2f0fc062b71f95c
Key [ 5]:d623a6498f915cb2c8002765247b2f5a
Key [ 6]:900109093319bc30108b3d9434a77a72
round 4:fafb6c1f3ebbd2477be2da49dd923f69
Key [ 7]:e28e2ee6e72e7f4e5b5c11f10d204228
Key [ 8]:8e455cd11f8b9073a2dfa5413c7a4bc5
round 5:7c72230df588060a3cf920f9b0a08f06
Key [ 9]:28afb26e2c7a64238c41cef16c53e74
Key [10]:d08dcafc2096395ba0d2ddd0e471f4d
round 6:55991df991db26ff00073a12baa3031d
Key [11]:fcffdcc3ad8faae091a7055b934f87c1
Key [12]:f8df082d77060252c02d91e55bd6a7d6
round 7:70ec682ff864375f63701fa4f6be5377
Key [13]:bef3706e523d708e8a44147d7508bc35
Key [14]:3e98ab283ca2422d56a56cf8b06caeb3
round 8:172f12ec933da85504b4ea5c90f8f0ea
Key [15]:87ad9625d06645d22598dd5ef811ea2c
Key [16]:8bd3db0cc8168009e5da90877e13a36f
Key [17]:0e74631d813a8351ac7039b348c41b42
sres :00507e5f
aco :2a5f19bf60907e69f39ca9f
-----
rand :0ecd61782b4128480c05dc45542b1b8c
address :f428f0e624b3
key :35949a914225fabad91995d226de1d92
round 1:0ecd61782b4128480c05dc45542b1b8c
Key [ 1]:35949a914225fabad91995d226de1d92
Key [ 2]:ea6b3dcccc8ee5d88de349fa5010404f
round 2:8935e2e263fbc4b9302cabdfc06bce3e
Key [ 3]:920f3a0f2543ce535d4e7f25ad80648a
Key [ 4]:ad47227edf9c6874e80ba80ebb95d2c9
round 3:b4c8b878675f184a0c72f3dab51f8f05
Key [ 5]:81a941ca7202b5e884ae8fa493ecac3d
Key [ 6]:bcde1520bee3660e86ce2f0fb78b9157
round 4:77ced9f2fc42bdd5c6312b87fc2377c5
Key [ 7]:c8eee7423d7c6efa75ecec0d2cd969d3
Key [ 8]:910b3f838a02ed441f8e63a02b4a1d0
round 5:fe28e8056f3004d60bb207e628b39cf2
Key [ 9]:56c647c1e865eb078348962ae070972d
Key [10]:883965da77ca5812d8104e2b640aec0d
round 6:1f2ba92259d9e88101518f145a33840f
Key [11]:61d4cb7e4f8868a283327806a9bd8d4d
Key [12]:9f57de3a3ff310e21dc1e696ce060304
round 7:cc9b5d0218d29037e88475152ebbb2f
Key [13]:7aa1d8adc1aeed7127ef9a18f6eb2d8e
Key [14]:b4db9da3bf865912acd14904c7f7785d
round 8:b04d352bedc02682e4a7f59d7cda1dba
    
```

```

Key [15]:a13d7141ef1f6c7d867e3d175467381b
Key [16]:08b2bc058e50d6141cdd566a307e1acc
Key [17]:057b2b4b4be5dc0ac49e50489b8006c9
round 1:5cfacc773bae995cd7f1b81e7c9ec7df
Key [ 1]:1e717950f5828f3930fe4a9395858815
Key [ 2]:d1623369b733d98bbc894f75866c544c
round 2:d571ffa21d9daa797b1a0a3c962fc64c
Key [ 3]:4abf27664ae364cc8a7e5bcf88214cc4
Key [ 4]:2aaedda8dc4933d6aeaf6e5c0d5a482
round 3:e17c8e498a00f125bf654c938c23f36d
added ->:bd765a3eb1ae8a796856048df0c1bab2
Key [ 5]:bc7f8ab2d86000f47b1946cc8d7a7a2b
Key [ 6]:6b28544cb13ec6c5d98470df2cf900b7
round 4:a9727c26f2f06bd9920e83c8605dcd76
Key [ 7]:1be840d9107f2c9523f66bb19f5464a1
Key [ 8]:61d6fblaa2f0c2b26fb2a3d6de8c177c
round 5:aeff751f146eab7e4626b2e2c9e2fb39
Key [ 9]:adabfc82570c568a233173099f23f4c2
Key [10]:b7df6b55ad266c0f1ff7452101f59101
round 6:cf412b95f454d5185e67ca671892e5bd
Key [11]:8e04a7282a2950dcbaea28f300e22de3
Key [12]:21362c114433e29bda3e4d51f803b0cf
round 7:16165722fe4e07ef88f8056b17d89567
Key [13]:710c8fd5bb3cbb5f132a7061de518bd9
Key [14]:0791de7334f4c87285809343f3ead3bd
round 8:28854cd6ad4a3c572b15490d4b81bc3f
Key [15]:4f47f0e5629a674bfcd13770eb3a3bd9
Key [16]:58a6d9a16a284cc0aead2126c79608a1
Key [17]:a564082a0a98399f43f535fd5cefad34
sres      :80e5629c
aco       :a6fe4dcde3924611d3cc6ba1
    
```

=====

## 9.2 FOUR TESTS OF E21

```

rand      :00000000000000000000000000000000
address   :000000000000
round 1:00000000000000000000000000000000
Key [ 1]:00000000000000000000000000000006
Key [ 2]:4697b1baa3b7100ac537b3c95a28dc94
round 2:98611307ab76bbde9a86af1ce8cad412
Key [ 3]:ecabaac66795580df89af66e665d863d
Key [ 4]:8ac3d8896ae9364943bfebd4a2a768a0
round 3:820999ad2e6618f4b578974beedf9e7
added ->:820999ad2e6618f4b578974beedf9e7
Key [ 5]:5d57921fd5715cbb22c1bedb1c996394
Key [ 6]:2a61b8343219fdfb1740e9541d41448f
round 4:acd6edec87581ac22dbdc64ea4ced3a2
Key [ 7]:dd0480dee731d67f01ba0f39da6f23ca
Key [ 8]:3ad01cd1303e12a18dcfe0a8af82592c
    
```

Appendix IV - Sample Data



```

round 5:1c7798732f09fbfe25795a4a2fbc93c2
Key [ 9]:7dadb2efc287ce7b0c1302904f2e7233
Key [10]:c08dcfa981e2f4572f6c7a9f52e11538
round 6:c05b88b56aa70e9c40c79bb81cd911bd
Key [11]:fc2042c708658a555e8c147660ffdfd7
Key [12]:fa0b21002605a6b9e89e624cd99150d2
round 7:abacc71b481c84c798d1bdf3d62f7e20
Key [13]:18b407e44a5ba4c80ecb48694b4e9c35
Key [14]:454d57e8253c0c4a8b3fccca7db6baef4
round 8:e8204e1183ae85cf19edb2c86215b700
Key [15]:2d0b946d9db52674f29353b0f011ed83
Key [16]:76c316733b1e8e70bd861b477e2456f1
Key [17]:8e4697b1baa3b7100ac537b3c95a28ac
Ka      :d14ca028545ec262cee700e39b5c39ee

```

```

-----
rand    :2dd9a550343191304013b2d7e1189d09
address :cac4364303b6

```

```

round 1:cac4364303b6cac4364303b6cac43643
Key [ 1]:2dd9a550343191304013b2d7e1189d0f
Key [ 2]:14c4335b2c43910c5dcc71d81a14242b
round 2:e169f788aad45a9011f11db5270b1277
Key [ 3]:55bfb712cba168d1a48f6e74cd9f4388
Key [ 4]:2a2b3aacca695caef2821b0fb48cc253
round 3:540f9c76652e92c44987c617035037bf
added ->:9ed3d23566e45c007fcac9a1c9146dfc
Key [ 5]:a06aab22d9a287384042976b4b6b00ee
Key [ 6]:c229d054bb72e8eb230e6dcdb32d16b7
round 4:83659a41675f7171ea57909dc5a79ab4
Key [ 7]:23c4812ab1905ddf77dedaed4105649a
Key [ 8]:40d87e272a7a1554ae2e85e3638cdf52
round 5:0b9382d0ed4f2fccdbb69d0db7b130a4
Key [ 9]:bdc064c6a39f6b84fe40db359f62a3c4
Key [10]:58228db841ce3cee983aa721f36aa1b9
round 6:c6ebda0f8f489792f09c189568226c1f
Key [11]:a815bacd6fa747a0d4f52883ac63ebe7
Key [12]:a9ce513b38ea006c333ecaaefcf1d0f8
round 7:75a8aba07e69c9065bcd831c40115116
Key [13]:3635e074792d4122130e5b824e52cd60
Key [14]:511bdb61bb28de72a5d794bfbf407df
round 8:57a6e279dcb764cf7dd6a749dd60c735
Key [15]:a32f5f21044b6744b6d913b13cdb4c0a
Key [16]:9722bbaeef281496ef8c23a9d41e92f4
Key [17]:807370560ad7e8a13a054a65a03b4049
Ka      :e62f8bac609139b3999aedbc9d228042

```

```

-----
rand    :dab3cffe9d5739d1b7bf4a667ae5ee24
address :02f8fd4cd661

```

```

round 1:02f8fd4cd66102f8fd4cd66102f8fd4c
Key [ 1]:dab3cffe9d5739d1b7bf4a667ae5ee22
Key [ 2]:e315a8a65d809ec7c289e69c899fbdcc
round 2:ef85ff081b8709405e19f3e275cec7dc
Key [ 3]:df6a119bb50945fc8a3394e7216448f3

```

Appendix IV - Sample Data



```

Key [ 4]:87fe86fb0d58b5dd0fb3b6b1dab51d07
round 3:aa25c21bf577d92dd97381e3e9edcc54
added ->:a81dbf5723d8dbd524bf5782ebe5c918
Key [ 5]:36cc253c506c0021c91fac9d8c469e90
Key [ 6]:d5fda00f113e303809b7f7d78a1a2b0e
round 4:9e69ce9b53caec3990894d2baed41e0d
Key [ 7]:c14b5edc10cabf16bc2a2ba4a8ae1e40
Key [ 8]:74c6131afc8dce7e11b03b1ea8610c16
round 5:a5460fa8cedca48a14fd02209e01f02e
Key [ 9]:346cfc553c6cbc9713edb55f4dcbc96c
Key [10]:bddf027cb059d58f0509f8963e9bdec6
round 6:92b33f11eadcacc5a43dd05f13d334dd
Key [11]:8eb9e040c36c4c0b4a7fd3dd354d53c4
Key [12]:c6ffecdd5e135b20879b9dfa4b34bf51
round 7:fb0541aa5e5df1a61c51aef606eb5a41
Key [13]:bf12f5a6ba08dfc4fda4bdfc68c997d9
Key [14]:37c4656b9215f3c959ea688fb64ad327
round 8:f0bbd2b94ae374346730581fc77a9c98
Key [15]:e87bb0d86bf421ea4f779a8eee3a866c
Key [16]:faa471e934fd415ae4c0113ec7f0a5ad
Key [17]:95204a80b8400e49db7cf6fd2fd40d9a
Ka      :b0376d0a9b338c2e133c32b69cb816b3
-----
rand    :13ecad08ad63c37f8a54dc56e82f4dc1
address :9846c5ead4d9
round 1:9846c5ead4d99846c5ead4d99846c5ea
Key [ 1]:13ecad08ad63c37f8a54dc56e82f4dc7
Key [ 2]:ad04f127bed50b5e671d6510d392eaeed
round 2:97374e18cdd0a6f7a5aa49dlac875c84
Key [ 3]:57ad159e5774fa222f2f3039b9cd5101
Key [ 4]:9a1e9e1068fed02ef90496e25fd8e79
round 3:9dd3260373edd9d5f4e774826b88fd2d
added ->:0519ebe9a7c6719331d1485bf3cec2c7
Key [ 5]:378dce167db62920b0b392f7cfca316e
Key [ 6]:db4277795c87286faee6c9e9a6b71a93
round 4:40ec6563450299ac4e120d88672504d6
Key [ 7]:ec01aa2f5a8a793b36c1bb858d254380
Key [ 8]:2921a66cfa5bf74ac535424564830e98
round 5:57287bbb041bd6a56c2bd931ed410cd4
Key [ 9]:07018e45aab61b3c3726ee3d57dbd5f6
Key [10]:627381f0fa4c02b0c7d3e7dfbffc3333
round 6:66affa66a8dcd36e36bf6c3f1c6a276e
Key [11]:33b57c925bd5551999f716e138efbe79
Key [12]:a6dc7f9aa95bcc9243aebd12608f657a
round 7:450e65184fd8c72c578d5cdec286743
Key [13]:a6a6db00fd8c72a28ea57ea542f6e102
Key [14]:dcf3377daeb2e24e61f0ad6620951c1f
round 8:e5eb180b519a4e673f21b7c4f4573f3d
Key [15]:621240b9506b462a7fa250da41844626
Key [16]:ae297810f01f43dc35756cd119ee73d6
Key [17]:b959835ec2501ad3894f8b8f1f4257f9
Ka      :5b61e83ad04d23e9d1c698851fa30447
    
```

=====

### 9.3 THREE TESTS OF E22

(for K<sub>master</sub> and overlay generation)

```

rand      :001de169248850245a5f7cc7f0d6d633
PIN       :d5a51083a04a1971f18649ea8b79311a
round 1   :001de169248850245a5f7cc7f0d6d623
Key [ 1 ] :d5a51083a04a1971f18649ea8b79311a
Key [ 2 ] :7317cbbff57f9b99f9810a2525b17cc7
round 2   :5f05c143347b59acae3cb002db23830f
Key [ 3 ] :f08bd258adf1d4ae4a54d8ccb26220b2
Key [ 4 ] :91046cbb4ccc43db18d6dd36ca7313eb
round 3   :c8f3e3300541a25b6ac5a80c3105f3c4
added -> :c810c45921c9f27f302424cbc1dbc9e7
Key [ 5 ] :67fb2336f4d9f069da58d11c82f6bd95
Key [ 6 ] :4fed702c75bd72c0d3d8f38707134c50
round 4   :bd5e0c3a97fa55b91a3bbbf306ebb978
Key [ 7 ] :41c947f80cdc0464c50aa89070af314c
Key [ 8 ] :680eecfa8daf41c7109c9a5cb1f26d75
round 5   :21c1a762c3cc33e75ce8976a73983087
Key [ 9 ] :6e33fbd94d00ff8f72e8a7a0d2cebc4c
Key [10] :f4d726054c6b948add99fabbb5733ddc3
round 6   :56d0df484345582f6b574a449ba155eb
Key [11] :4eda2425546a24cac790f49ef2453b53
Key [12] :cf2213624ed1510408a5a3e00b7333df
round 7   :120cf9963fe9ff22993f7fdf9600d9b8
Key [13] :d04b1a25b0b8fec946d5ecfa626d04c9
Key [14] :01e5611b0f0e140bdb64585fd3ae5269
round 8   :a6337400ad8cb47fefb91332f5cb2713
Key [15] :f15b2dc433f534f61bf718770a3698b1
Key [16] :f990d0273d8ea2b9e0b45917a781c720
Key [17] :f41b3cc13d4301297bb6bdfcb3e5a1dd
Ka        :539e4f2732e5ae2de1e0401f0813bd0d

```

```

-----
rand      :67ed56bfcf99825f0c6b349369da30ab
PIN       :7885b515e84b1f082cc499976f1725ce
round 1   :67ed56bfcf99825f0c6b349369da30bb
Key [ 1 ] :7885b515e84b1f082cc499976f1725ce
Key [ 2 ] :72445901fdaf506beb036f4412512248
round 2   :6b160b66a1f6c26c1f3432f463ef5aa1
Key [ 3 ] :59f0e4982e97633e5e7fd133af8f2c5b
Key [ 4 ] :b4946ec77a41bf7c729d191e33d458ab
round 3   :3f22046c964c3e5ca2a26ec9a76a9f67
added -> :580f5ad359e5c003ae0da25ace44cfdc
Key [ 5 ] :eb0b839f97bdf534183210678520bbef
Key [ 6 ] :cff0bc4a94e5c8b2a2d24d9f59031e19
round 4   :87aa61fc0ff88e744c195249b9a33632
Key [ 7 ] :592430f14d8f93db95dd691af045776d
Key [ 8 ] :3b55b404222bf445a6a2ef5865247695
round 5   :83dcf592a854226c4dcd94e1ecf1bc75

```



Appendix IV - Sample Data



```

Key [ 9]:a9714b86319ef343a28b87456416bd52
Key [10]:e6598b24390b3a0bf2982747993b0d78
round 6:dee0d13a52e96bcf7c72045a21609fc6
Key [11]:62051d8c51973073bff959b032c6e1e2
Key [12]:29e94f4ab73296c453c833e217a1a85b
round 7:08488005761e6c7c4dbb203ae453fe3a
Key [13]:0e255970b3e2fc235f59fc5acb10e8ce
Key [14]:d0dfbb3361fee6d4ffe45babf1cd7abf
round 8:0d81e89bddde7a7065316c47574feb8f
Key [15]:c12eee4eb38b7a171f0f736003774b40
Key [16]:8f962523f1c0abd9a087a0dfb11643d3
Key [17]:24be1c66cf8b022f12f1fb4c60c93fd1
Ka      :04435771e03a9daceb8bb1a493ee9bd8
-----
rand    :40a94509238664f244ff8e3d13b119d3
PIN     :1ce44839badde30396d03c4c36f23006
round 1:40a94509238664f244ff8e3d13b119c3
Key [ 1]:1ce44839badde30396d03c4c36f23006
Key [ 2]:6dd97a8f91d628be4b18157af1a9dcba
round 2:0eac5288057d9947a24eabc1744c4582
Key [ 3]:fef9583d5f55fd4107ad832a725db744
Key [ 4]:fc3893507016d7c1db2bd034a230a069
round 3:60b424f1082b0cc3bd61be7b4c0155f0
added  ->:205d69f82bb17031f9604c465fb26e33
Key [ 5]:0834d04f3e7e1f7f85f0c1db685ab118
Key [ 6]:1852397f9a3723169058e9b62bb3682b
round 4:2c6b65a49d66af6566675afdd6fa7d7d
Key [ 7]:6c10da21d762ae4ac1ba22a96d9007b4
Key [ 8]:9aa23658b90470a78d686344b8a9b0e7
round 5:a2c537899665113a42f1ac24773bdc31
Key [ 9]:137dee3bf879fe7bd02fe6d888e84f16
Key [10]:466e315a1863f47d0f93bc6827cf3450
round 6:e26982980d79b21ed3e20f8c3e71ba96
Key [11]:0b33cf831465bb5c979e6224d7f79f7c
Key [12]:92770660268ede827810d707a0977d73
round 7:e7b063c4e2e3110b89b7e1631c762dd5
Key [13]:7be30ae4961cf24ca17625a77bb7a9f8
Key [14]:be65574a33ae30e6e82dbd2826d3cc1a
round 8:7a963e37b2c2e76b489cfe40a2cf00e5
Key [15]:ed0ba7dd30d60a5e69225f0a33011e5b
Key [16]:765c990f4445e52b39e6ed6105ad1c4f
Key [17]:52627bf9f35d94f30d5b07ef15901adc
Ka      :9cde4b60f9b5861ed9df80858bac6f7f

```

=====

## 9.4 TESTS OF E22 WITH PIN AUGMENTING

for PIN lengths 1,...,16 bytes

```

rand      :24b101fd56117d42c0545a4247357048
PIN length =16 octets
PIN       :fd397c7f5c1f937cdf82d8816cc377e2
round 1:24b101fd56117d42c0545a4247357058
Key [ 1]:fd397c7f5c1f937cdf82d8816cc377e2
Key [ 2]:0f7aac9c9b53f308d9fdbf2c78e3c30e
round 2:838edfe1226266953ccba8379d873107
Key [ 3]:0b8ac18d4bb44fad2efa115e43945abc
Key [ 4]:887b16b062a83bfa469772c25b456312
round 3:8cd0c9283120aba89a7f9d635dd4fe3f
added ->:a881cad5673128ea5ad3f7211a096e67
Key [ 5]:2248cbe6d299e9d3e8fd35a91178f65b
Key [ 6]:b92af6237385bd31f8fb57fblbdd824e
round 4:2648d9c618a622b10ef80c4dbaf68b99
Key [ 7]:2bf5ffe84a37878ede2d4c30be60203b
Key [ 8]:c9cb6cec60cb8a8f29b99f3e71e40f
round 5:b5a7d9e96f68b14cceb361de3914d0f
Key [ 9]:5c2f8a702e4a45575b103b0cce8a91c6
Key [10]:d453db0c9f9d8bd11e355d9a34d9b11b
round 6:632a091e7eefe1336857ddafdlff3265
Key [11]:32805db7e59c5ed4acabf38d27e3fece
Key [12]:fde3a8eedfa3a12be09c1a8a00890fd7
round 7:048531e9fd3efa95910540150f8b137b
Key [13]:def07eb23f3a378f059039a2124bc4c2
Key [14]:2608c58f23d84a09b9ce95e5caac1ab4
round 8:461814ec7439d412d0732f0a6f799a6a
Key [15]:0a7ed16481a623e56ee1442ffa74f334
Key [16]:12add59aca0d19532f1516979954e369
Key [17]:dd43d02d39ffd6a386a4b98b4ac6eb23
Ka       :a5f2adf328e4e6a2b42f19c8b74ba884
-----
rand      :321964061ac49a436f9fb9824ac63f8b
PIN length =15 octets
PIN       :ad955d58b6b8857820ac1262d617a6
address  :0314c0642543
round 1:321964061ac49a436f9fb9824ac63f9b
Key [ 1]:ad955d58b6b8857820ac1262d617a603
Key [ 2]:f281736f68e3d30b2ac7c67f125dc416
round 2:7c4a4ece1398681f4bafd309328b7770
Key [ 3]:43c157f4c8b360387c32ab330f9c9aa8
Key [ 4]:3a3049945a298f6d076c19219c47c3cb
round 3:9672b00738bdfaf9bd92a855bc6f3afb
added ->:a48b1401228194bad23161d7f6357960
Key [ 5]:c8e2eaa6d73b7de18f3228ab2173bc69
Key [ 6]:8623f44488222e66a293677cf30bf2bb
round 4:9b30247aad3bf133712d034b46d21c68
Key [ 7]:f3e500902fba31db9bae50ef30e484a4
Key [ 8]:49d4b1137c18f4752dd9955a5a8d2f43
    
```

Appendix IV - Sample Data



```

round 5:4492c25fda08083a768b4b5588966b23
Key [ 9]:9d59c451989e74785cc097eda7e42ab8
Key [10]:251de25f3917dcd99c18646107a641fb
round 6:21ae346635714d2623041f269978c0ee
Key [11]:80b8f78cb1a49ec0c3e32a238e60fddf
Key [12]:beb84f4d20a501e4a24ecfbde481902b
round 7:9b56a3d0f8932f20c6a77a229514fb00
Key [13]:852571b44f35fd9d9336d3c1d2506656
Key [14]:d0a0d510fb06ba76e69b8ee3ebc1b725
round 8:6cd8492b2fd31a86978bcd6f644eb08a8
Key [15]:c7ffd523f32a874ed4a93430a25976de
Key [16]:16cdcb25e62964876d951fdcc07030d3
Key [17]:def32c0e12596f9582e5e3c52b303f52
Ka      :c0ec1a5694e2b48d54297911e6c98b8f

```

```

-----
rand    :d4ae20c80094547d7051931b5cc2a8d6
PIN length =14 octets
PIN     :e1232e2c5f3b833b3309088a87b6
address :fabecc58e609

```

```

round 1:d4ae20c80094547d7051931b5cc2a8c6
Key [ 1]:e1232e2c5f3b833b3309088a87b6fabe
Key [ 2]:5f0812b47cd3e9a30d7707050ffa1f2
round 2:1f45f16be89794bef33e4547c9c0916a
Key [ 3]:77b681944763244ffa3cd71b248b79b5
Key [ 4]:e2814e90e04f485958ce58c9133e2be6
round 3:b10d2f4ac941035263cee3552d774d2f
added ->:65bb4f82c9d5572f131f764e7139f5e9
Key [ 5]:520acad20801dc639a2c6d66d9b79576
Key [ 6]:c72255cdb61d42be72bd45390dd25ba5
round 4:ead4dc34207b6ea721c62166e155aaad
Key [ 7]:ebf04c02075bf459ec9c3ec06627d347
Key [ 8]:a1363dd2812ee800a4491c0c74074493
round 5:f507944f3018e20586d81d7f326aae9d
Key [ 9]:b0b6ba79493dc833d7f425be7b8daddb6
Key [10]:08cd23e536b9b9b53e85eb004cba3111
round 6:fff450f4302a2b3571e8405e148346da
Key [11]:fec22374c6937dcd26171f4d2edfada3
Key [12]:0f1a8ef5979c69ff44f620c2e007b6e4
round 7:de558779589897f3402a90ee78c3f921
Key [13]:901fb66f0779d6aad0c0fba1fe812cb5
Key [14]:a0cab3cd15cd23603adc8d4474efb239
round 8:b2df0aa0c9f07fbbaa02f510a29cf540
Key [15]:18edc3f4296dd6f1deal3f7c143117a1
Key [16]:8d3d52d700a379d72ded81687f7546c7
Key [17]:5927badfe602f29345f840bb53e1dea6
Ka      :d7b39be13e3692c65b4a9e17a9c55e17

```

```

-----
rand    :272b73a2e40db52a6a61c6520549794a
PIN length =13 octets
PIN     :549f2694f353f5145772d8ae1e
address :20487681eb9f
round 1:272b73a2e40db52a6a61c6520549795a

```

Appendix IV - Sample Data

**Bluetooth.**

```

Key [ 1]:549f2694f353f5145772d8ae1e204876
Key [ 2]:42c855593d66b0c458fd28b95b6a5fbf
round 2:d7276dc8073f7677c31f855bde9501e2
Key [ 3]:75d0a69ae49a2da92e457d767879df52
Key [ 4]:b3aa7e7492971afaa0fb2b64827110df
round 3:71aae503831133d19bc452da4d0e409b
added ->:56d558a1671ee8fbf12518884857b9c1
Key [ 5]:9c8cf1604a98e9a503c342e272de5cf6
Key [ 6]:d35bc2df6b85540a27642106471057d9
round 4:f41a709c89ea80481aa3d2b9b2a9f8ca
Key [ 7]:b454dda74aeb4eff227ba48a58077599
Key [ 8]:bcba6aec050116aa9b7c6a9b7314d796
round 5:20fdda20f4a26b1bd38eb7f355a7be87
Key [ 9]:d41f8a9de0a716eb7167a1b6e321c528
Key [10]:5353449982247782d168ab43f17bc4d8
round 6:a70e316997eed49a5a9ef9ba5e913b5
Key [11]:32cbc9cf1a81e36a45153972347ce4ac
Key [12]:5747619006cf4ef834c749f2c4b9feb6
round 7:e66f2317a825f589f76b47b6aa6e73fb
Key [13]:f9b68beba0a09d2a570a7dc88cc3c3c2
Key [14]:55718f9a4f0b1f9484e8c6b186a41a4b
round 8:5f68f940440a9798e074776019804ada
Key [15]:4ecc29be1b4d78433f6aa30db974a7fb
Key [16]:8470a066ffb00cda7b08059599f919f5
Key [17]:f39a36d74e960a051e1ca98b777848f4
Ka      :9ac64309a37c25c3b4a584fc002a1618
-----
rand    :7edb65f01a2f45a2bc9b24fb3390667e
PIN length =12 octets
PIN     :2e5a42797958557b23447ca8
address :04f0d2737f02
round 1:7edb65f01a2f45a2bc9b24fb3390666e
Key [ 1]:2e5a42797958557b23447ca804f0d273
Key [ 2]:18a97c856561eb23e71af8e9e1be4799
round 2:3436e12db8ffdc1265cb5a86da2fed0b
Key [ 3]:7c0908dcbc73201e17c4f7aa1ab8aec8
Key [ 4]:7cb58833602fbc4194c7cc797ce8c454
round 3:caed6af4226f67e4ad1914620803ef2a
added ->:b4c8cf04389eac4611b438993b935544
Key [ 5]:f4dce7d607b5234562d0ebb2267b08b8
Key [ 6]:560b75c5545751fd8fa99fa4346e654b
round 4:ee67c87d6f74bb75db98f68bff0192c1
Key [ 7]:32f10cefd8d3e6424c6f91f1437808af
Key [ 8]:a934a46045be30fb3be3a5f3f7b18837
round 5:792398dcbcb8d10bdb07ae3c819e943c
Key [ 9]:a0f12e97c677a0e8ac415cd2c8a7ca88
Key [10]:e27014c908785f5ca03e8c6a1da3bf13
round 6:e778b6e0c3e8e7edf90861c7916d97a8
Key [11]:1b4a4303bcc0b2e0f41c72d47654bd9f
Key [12]:4b1302a50046026d6c9054fc8387965a
round 7:1fafddc7efa5f04c1dec1869d3f2d9bb
Key [13]:58c334bb543d49eca562cdbe0280e0fc
    
```

*Appendix IV - Sample Data***Bluetooth.**

```

Key [14]:bdb60d383c692d06476b76646c8dec48
round 8:3d7c326d074bd6aa222ea050f04a3c7f
Key [15]:78c0162506be0b5953e8403c01028f93
Key [16]:24d7dbbe834dbd7b67f57fcf0d39d60f
Key [17]:2e74f1f3331c0f6585e87b2f715e187e
Ka      :d3af4c81e3f482f062999dee7882a73b
-----
rand    :26a92358294dce97b1d79ec32a67e81a
PIN length =11 octets
PIN     :05fbad03f52fa9324f7732
address :b9ac071f9d70
round 1:26a92358294dce97b1d79ec32a67e80a
Key [ 1]:05fbad03f52fa9324f7732b9ac071f9d
Key [ 2]:2504c9691c04a18480c8802e922098c0
round 2:0be20e3d76888e57b6bf77f97a8714fb
Key [ 3]:576b2791d1212bea8408212f2d43e77e
Key [ 4]:90ae36dcce8724adb618f912d1b27297
round 3:1969667060764453257d906b7e58bd5b
added ->:3f12892849c312c494542ea854bfa551
Key [ 5]:bc492c42c9e87f56ec31af5474e9226e
Key [ 6]:c135d1dbed32d9519acfb4169f3e1a10
round 4:ac404205118fe771e54aa6f392dal153
Key [ 7]:83ccbdbbaf17889b7d18254dc9252fa1
Key [ 8]:80b90a1767d3f2848080802764e21711
round 5:41795e89ae9a0cf776ffece76f47fd7a
Key [ 9]:cc24e4a86e8eed129118fd3d5223a1dc
Key [10]:7b1e9c0eb9dab083574be7b7015a62c9
round 6:29ca9e2f87ca00370ef1633505bfba4b
Key [11]:888e6d88cf4beb965cf7d4f32b696baa
Key [12]:6d642f3e5510b0b043a44daa2cf5eec0
round 7:81fc891c3c6fd99acc00028a387e2366
Key [13]:e224f85da2ab63a23e2a3a036e421358
Key [14]:c8dc22aaa739e2cb85d6a0c08226c7d0
round 8:e30b537e7a000e3d2424a9c0f04c4042
Key [15]:a969aa818c6b324bae391bedcdd9d335
Key [16]:6974b6f2f07e4c55f2cc0435c45bebd1
Key [17]:134b925ebd98e6b93c14aee582062fcb
Ka      :be87b44d079d45a08a71d15208c5cb50
-----
rand    :0edef05327eab5262430f21fc91ce682
PIN length =10 octets
PIN     :8210e47390f3f48c32b3
address :7a3cdfe377d1
round 1:0edef05327eab5262430f21fc91ce692
Key [ 1]:8210e47390f3f48c32b37a3cdfe377d1
Key [ 2]:c6be4c3e425e749b620a94c779e33a7e
round 2:07ca3c7a7a6bcbc31d79a856d9cffc0e
Key [ 3]:2587cec2a4b8e4f996a9ed664350d5dd
Key [ 4]:70e4bf72834d9d3dbb7eb2c239216dc0
round 3:792ad2ac4e4559d1463714d2f161b6f4
added ->:7708c2ff692f0ef7626706cd387d9c66
Key [ 5]:6696e1e7f8ac037e1fff3598f0c164e2

```

Appendix IV - Sample Data



```

Key [ 6]:23dbfe4d0b561bea08fbcef25e49b648
round 4:7d8c71a9d7fbdcbd851bdf074550b100
Key [ 7]:b03648acd021550edee904431a02f00c
Key [ 8]:cb169220b7398e8f077730aa4bf06baa
round 5:b6fcaa45064ffd557e4b7b30cfbb83e0
Key [ 9]:af602c2ba16a454649951274c2be6527
Key [10]:5d60b0a7a09d524143ecal3ad680bc9c
round 6:b3416d391a0c26c558843debd0601e9e
Key [11]:9a2f39bfe558d9f562c5f09a5c3c0263
Key [12]:72cae8eed7fabd9b1848333c2aab439
round 7:abe4b498d9c36ea97b8fd27d7f813913
Key [13]:15f27ea11e83a51645d487b81371d7dc
Key [14]:36083c8666447e03d33846edf444eb12
round 8:8032104338a945ba044d102eabda3b22
Key [15]:0a3a8977dd48f3b6c1668578befadd02
Key [16]:f06b6675d78ca0ee5b1761bdcdab516d
Key [17]:cbc8a7952d33aa0496f7ea2d05390b23
Ka      :bf0706d76ec3b11cce724b311bf71ff5
-----
rand    :86290e2892f278ff6c3fb917b020576a
PIN length = 9 octets
PIN     :3dcdfcfd086802107
address :791a6a2c5cc3
round 1:86290e2892f278ff6c3fb917b0205765
Key [ 1]:3dcdfcfd086802107791a6a2c5cc33d
Key [ 2]:b4962f40d7bb19429007062a3c469521
round 2:1ec59ffd3065f19991872a7863b0ef02
Key [ 3]:eb9ede6787dd196b7e340185562bf28c
Key [ 4]:2964e58aacf7287d1717a35b100ae23b
round 3:f817406f1423fc2fe33e25152679eaaf
added ->:7e404e47861574d08f7dde02969941ca
Key [ 5]:6abf9a314508fd61e486fa4e376c3f93
Key [ 6]:6da148b7ee2632114521842cbb274376
round 4:e9c2a8fac22b8c7cf0c619e2b3f890ed
Key [ 7]:df889cc34fda86f01096d52d116e620d
Key [ 8]:5eb04b147dc39d1974058761ae7b73fc
round 5:444a8aac0efee1c02f8d38f8274b7b28
Key [ 9]:8426cc59eee391b2bd50cf8f1efef8b3
Key [10]:8b5d220a6300ade418da791dd8151941
round 6:9185f983db150b1bccable5c12eb63a1
Key [11]:82ba4ddef833f6a4d18b07aa011f2798
Key [12]:ce63d98794682054e73d0359dad35ec4
round 7:5eded2668f5916dfd036c09e87902886
Key [13]:da794357652e80c70ad8b0715dbe33d6
Key [14]:732ef2c0c3220b31f3820c375e27bb29
round 8:88a5291b4acbba009a85b7dd6a834b3b
Key [15]:3ce75a61d4b465b70c95d7ccd5799633
Key [16]:5df9bd2c3a17a840cdaafb76c171db7c
Key [17]:3f8364b089733d902bccb0cd3386846f
Ka      :cdb0cc68f6f6fbd70b46652de3ef3ffb
-----
rand    :3ab52a65bb3b24a08eb6cd284b4b9d4b
    
```

*Appendix IV - Sample Data***Bluetooth.**

```

PIN length = 8 octets
PIN      :d0fb9b6838d464d8
address  :25a868db91ab
round   1:3ab52a65bb3b24a08eb6cd284b4b9d45
Key [ 1]:d0fb9b6838d464d825a868db91abd0fb
Key [ 2]:2573f47b49dad6330a7a9155b7ae8ba1
round   2:ad2ffdfdf408fcfab44941016a9199251
Key [ 3]:d2c5b8fb80cba13712905a589adaee71
Key [ 4]:5a3381511b338719fae242758dea0997
round   3:2ddc17e570d7931a2b1d13f6ace928a5
added  ->:17914180cb12b7baa5d3e0dee734c5e0
Key [ 5]:e0a4d8ac27fbe2783b7bcb3a36a6224d
Key [ 6]:949324c6864deac3eca8e324853e11c3
round   4:62c1db5cf31590d331ec40ad692e8df5
Key [ 7]:6e67148088a01c2d4491957cc9ddc4aa
Key [ 8]:557431deab7087bb4c03fa27228f60c6
round   5:9c8933bc361f4bde4dlbda2b5f8bb235
Key [ 9]:a2551aca53329e70ade3fd2bb7664697
Key [10]:05d0ad35de68a364b54b56e2138738fe
round   6:9156db34136aa06655bf28a05be0596a
Key [11]:1616a6b13ce2f2895c722e8495181520
Key [12]:b12e78a1114847b01f6ed2f5a1429a23
round   7:84dcc292ed836c1c2d523f2a899a2ad5
Key [13]:316e144364686381944e95afd8a026bb
Key [14]:1ab551b88d39d97ea7a9fe136dbfe2e1
round   8:87bdcac878d777877f4eccf042cfee5e
Key [15]:70e21ab08c23c7544524b64492b25cc9
Key [16]:35f730f2ae2b950a49alb5c8b9f8866
Key [17]:2f16924c22db8b74e2eadf1ba4ebd37c
Ka      :983218718ca9aa97892e312d86dd9516
-----
rand    :a6dc447ff08d4b366fff96e6cf207e179
PIN length = 7 octets
PIN      :9c57e10b4766cc
address  :54ebd9328cb6
round   1:a6dc447ff08d4b366fff96e6cf207e174
Key [ 1]:9c57e10b4766cc54ebd9328cb69c57e1
Key [ 2]:00a609f4d61db26993c8177e3ee2bba8
round   2:1ed26b96a306d7014f4e5c9ee523b73d
Key [ 3]:646d7b5f9aaa528384bda3953b542764
Key [ 4]:a051a42212c0e9ad5c2c248259aca14e
round   3:a53f526db18e3d7d53edbf9c9711041ed
added  ->:031b9612411b884b3ce62da583172299
Key [ 5]:d1bd5e64930e7f838d8a33994462d8b2
Key [ 6]:5dc7e2291e32435665ebd6956bec3414
round   4:9438be308ec83f35c560e2796f4e0559
Key [ 7]:10552f45af63b0f15e2919ab37f64fe7
Key [ 8]:c44d5717c114a58b09207392ebe341f8
round   5:b79a7b14386066d339f799c40479cb3d
Key [ 9]:6886e47b782325568eaf59715a75d8ff
Key [10]:8e1e335e659cd36b132689f78c147bda
round   6:ef232462228aa166438d10c34e17424b

```

Appendix IV - Sample Data



```
Key [11]:8843efeedd5c2b7c3304d647f932f4d1
Key [12]:13785aaedd0adf67abb4f01872392785
round 7:02d133fe40d15f1073673b36bba35abd
Key [13]:837d7ca2722419e6be3fae35900c3958
Key [14]:93f8442973e7fccf2e7232d1d057c73a
round 8:275506a3d08c84e94cc58ed60054505e
Key [15]:8a7a9edffa3c52918bc6a45f57d91f5d
Key [16]:f214a95d777f763c56109882c4b52c84
Key [17]:10e2ee92c5ealddc5eb010e55510c403
Ka      :9cd6650ead86323e87cafblff516d1e0
```

```
-----
rand    :3348470a7ea6cc6eb81b40472133262c
PIN length = 6 octets
PIN     :fcad169d7295
address :430d572f8842
round 1:3348470a7ea6cc6eb81b404721332620
Key [ 1]:fcad169d7295430d572f8842fcad169d
Key [ 2]:b3479d4d4fd178c43e7bc5b0c7d8983c
round 2:af976da9225066d563e10ab955e6fc32
Key [ 3]:7112462b37d82dd81a2a35d9eb43cb7c
Key [ 4]:c5a7030f8497945ac7b84600d1d161fb
round 3:d08f826ebd55a0bd7591c19a89ed9bde
added ->:e3d7c964c3fb6cd3cdac01dda820c1fe
Key [ 5]:84b0c6ef4a63e4dff19b1f546d683df5
Key [ 6]:f4023edfc95d1e79ed4bb4de9b174f5d
round 4:6cd952785630dfc7cf81eea625e42c5c
Key [ 7]:ea38dd9a093ac9355918632c90c79993
Key [ 8]:dbba01e278ddc76380727f5d7135a7de
round 5:93573b2971515495978264b88f330f7f
Key [ 9]:d4dc3a31be34e412210fafa6eca00776
Key [10]:39d1e190ee92b0ff16d92a8be58d2fa0
round 6:b3f01d5e7fe1ce6da7b46d8c389baf47
Key [11]:1eb081328d4bcf94c9117b12c5cf22ac
Key [12]:7e047c2c552f9f1414d946775fabfe30
round 7:0b833bfff6106d5bae033b4ce5af5a924
Key [13]:e78e685d9b2a7e29e7f2a19d1bc38ebd
Key [14]:1b582272a3121718c4096d2d8602f215
round 8:23de0bbdc70850a7803f4f10c63b2c0f
Key [15]:8569e860530d9c3d48a0870dac33f676
Key [16]:6966b528fdd1dc222527052c8f6cf5a6
Key [17]:a34244c757154c53171c663b0b56d5c2
Ka      :98f1543ab4d87bd5ef5296fb5e3d3a21
```

```
-----
rand    :0f5bb150b4371ae4e5785293d22b7b0c
PIN length = 5 octets
PIN     :b10d068bca
address :b44775199f29
round 1:0f5bb150b4371ae4e5785293d22b7b07
Key [ 1]:b10d068bcab44775199f29b10d068bca
Key [ 2]:aec70d1048f1bbd2c18040318a8402ad
round 2:342d2b79d7fb7cd110379742b9842c79
Key [ 3]:6d8d5cf338f29ef4420639ef488e4fa9
```



*Appendix IV - Sample Data***Bluetooth.**

```

Key [ 4]:a1584117541b759ba6d9f7eb2bedcbba
round 3:9407e8e3e810603921bf81cfda62770a
added ->:9b6299b35c477addc437d35c088df20d
Key [ 5]:09a20676666aeed6f22176274eb433f4
Key [ 6]:840472c001add5811a054be5f5c74754
round 4:9a3ba953225a7862c0a842ed3d0b2679
Key [ 7]:fad9e45c8bf70a972fcd9bff0e8751f5
Key [ 8]:e8f30ff666dfd212263416496ff3b2c2
round 5:2c573b6480852e875df34b28a5c44509
Key [ 9]:964cdba0cf8d593f2fc40f96daf8267a
Key [10]:bcd65c11b13e1a70bcd4aafba8864fe3
round 6:21b0cc49e880c5811d24dee0194e6e9e
Key [11]:468c8548ea9653c1a10df6288dd03c1d
Key [12]:5d252d17af4b09d3f4b5f7b5677b8211
round 7:e6d6bdcd63e1d37d9883543ba86392fd
Key [13]:e814bf307c767428c67793dda2df95c7
Key [14]:4812b979fdc20f0ff0996f61673a42cc
round 8:e3dde7ce6bd7d8a34599aa04d6a760ab
Key [15]:5b1e2033d1cd549fc4b028146eb5b3b7
Key [16]:0f284c14fb8fe706a5343e3aa35af7b1
Key [17]:b1f7a4b7456d6b577fded6dc7a672e37
Ka      :c55070b72bc982adb972ed05d1a74ddb
-----
rand    :148662a4baa73cfadb55489159e476e1
PIN length = 4 octets
PIN     :fb20f177
address :a683bd0b1896
round 1:148662a4baa73cfadb55489159e476eb
Key [ 1]:fb20f177a683bd0b1896fb20f177a683
Key [ 2]:47266cefbfba468ca7916b458155dc825
round 2:3a942eb6271c3f4e433838a5d3fcbd27
Key [ 3]:688853a6d6575eb2f6a2724b0fbc133b
Key [ 4]:7810df048019634083a2d9219d0b5fe0
round 3:9c835b98a063701c0887943596780769
added ->:8809bd3c1a0aace6d3dcdca4cf5c7d82
Key [ 5]:c78f6dcf56da1bbd413828b33f5865b3
Key [ 6]:eb3f3d407d160df3d293a76d1a513c4a
round 4:7e68c4bafa020a4a59b5a1968105bab5
Key [ 7]:d330e038d6b19d5c9bb0d7285a360064
Key [ 8]:9bd3ee50347c00753d165faced702d9c
round 5:227bad0cf0838bdb15b3b3872c24f592
Key [ 9]:9543ad0fb3fe74f83e0e2281c6d4f5f0
Key [10]:746cd0383c17e0e80e6d095a87fd0290
round 6:e026e98c71121a0cb739ef6f59e14d26
Key [11]:fa28bea4b1c417536608f11f406ealdd
Key [12]:3aee0f4d21699df9cb8caf5354a780ff
round 7:cd6a6d8137d55140046f8991da1fa40a
Key [13]:372b71bc6d1aa6e785358044fbcf05f4
Key [14]:00a01501224c0405de00aa2ce7b6ab04
round 8:52cd7257fe8d0c782c259bcb6c9f5942
Key [15]:c7015c5c1d7c030e00897f104a006d4a
Key [16]:260a9577790c62e074e71e19fd2894df

```

Appendix IV - Sample Data



```

Key [17]:c041b7a231493acd15ddcdaee94b9f52
Ka      :7ec864df2f1637c7e81f2319ae8f4671
-----
rand    :193alb84376c88882c8d3b4ee93ba8d5
PIN length = 3 octets
PIN     :a123b9
address :4459a44610f6
round  1:193alb84376c88882c8d3b4ee93ba8dc
Key [ 1]:a123b94459a44610f6a123b94459a446
Key [ 2]:5f64d384c8e990c1d25080eb244dde9b
round  2:3badbd58f100831d781ddd3ccedefd3f
Key [ 3]:5abc00eff8991575c00807c48f6dbea5
Key [ 4]:127521158ad6798fb6479d1d2268abe6
round  3:0b53075a49c6bf2df2421c655fdef68
added  ->:128d22de7e3247a5decf572bb61987b4
Key [ 5]:f2a1f620448b8e56665608df2ab3952f
Key [ 6]:7c84c0af02aad91dc39209c4edd220b1
round  4:793f4484fb592e7a78756fd4662f990d
Key [ 7]:f6445b647317e7e493bb92bf6655342f
Key [ 8]:3cae503567c63d3595eb140ce60a84c0
round  5:9e46a8df925916a342f299a8306220a0
Key [ 9]:734ed5a806e072bbeceb4254993871679
Key [10]:cda69ccb4b07f65e3c8547c11c0647b8
round  6:6bf9cd82c9e1be13fc58eae0b936c75a
Key [11]:c48e531d3175c2bd26fa25cc8990e394
Key [12]:6d93d349a6c6e9ff5b26149565b13d15
round  7:e96a9871471240f198811d4b8311e9a6
Key [13]:5c4951e85875d663526092cd4cbdb667
Key [14]:f19f7758f5cde86c3791efaf563b3fd0
round  8:e94ca67d3721d5fb08ec069191801a46
Key [15]:bf0c17f3299b37d984ac938b769dd394
Key [16]:7edf4ad772a6b9048588f97be25bde1c
Key [17]:6ee7ba6afefc5b561abbd8d6829e8150
Ka      :ac0daabf17732f632e34ef193658bf5d
-----
rand    :1453db4d057654e8eb62d7d62ec3608c
PIN length = 2 octets
PIN     :3eaf
address :411fbbb51d1e
round  1:1453db4d057654e8eb62d7d62ec36084
Key [ 1]:3eaf411fbbb51d1e3eaf411fbbb51d1e
Key [ 2]:c3a1a997509f00fb4241aba607109c64
round  2:0b78276clebc65707d38c9c5fa1372bd
Key [ 3]:3c729833ae1ce7f84861e4dbad6305cc
Key [ 4]:c83a43c3a66595cb8136560ed29be4ff
round  3:23f3f0f6441563d4c202cee0e5cb2335
added  ->:3746cbbb418bb73c2964a536cb8e83b1
Key [ 5]:18b26300b86b70acd1c8f5cbc7c5da8
Key [ 6]:04efc75309b98cd8f1cef5513c18e41e
round  4:c61afa90d3c14bdf588320e857afdc00
Key [ 7]:517c789cecad455751af73198749fb8
Key [ 8]:fd9711f913b5c844900fa79dd765d0e2
    
```

Appendix IV - Sample Data



```

round 5:a8a0e02ceb556af8bfa321789801183a
Key [ 9]:bb5cf30e7d3ceb930651b1d16ee92750
Key [10]:3d97c7862ecab42720e984972f8efd28
round 6:0b58e922438d224db34b68fca9a5ea12
Key [11]:4ce730344f6b09e449dcdb64cd466666
Key [12]:38828c3a56f922186adcd9b713cdcc31
round 7:b90664c4ac29a8b4bb26debec9ffc5f2
Key [13]:d30fd865ea3e9edcff86a33a2c319649
Key [14]:1fdb63e54413acd968195ab6fa424e83
round 8:6934de3067817cefd811abc5736c163b
Key [15]:a16b7c655bbaa262c807cba8ae166971
Key [16]:7903dd68630105266049e23ca607cda7
Key [17]:888446f2d95e6c2d2803e6f4e815ddc9
Ka      :1674f9dc2063cc2b83d3ef8ba692ebef
-----
rand    :1313f7115a9db842fcedc4b10088b48d
PIN length = 1 octets
PIN     :6d
address :008aa9be62d5
round 1:1313f7115a9db842fcedc4b10088b48a
Key [ 1]:6d008aa9be62d56d008aa9be62d56d00
Key [ 2]:46ebfeafb6657b0a1984a8dc0893accf
round 2:839b23b83b5701ab095bafd162ec0ac7
Key [ 3]:8e15595edcf058af62498ee3c1dc6098
Key [ 4]:dd409c3444e94b9cc08396ae967542a0
round 3:c0a2010cc44f2139427f093f4f97ae68
added ->:d3b5f81d9eecd97bbe6ccd8e4f1f62e2
Key [ 5]:487deff5d519f6a6481e947b926f633c
Key [ 6]:5b4b6e3477ed5c2c01f6e607d3418963
round 4:1a5517a0efad3575931d8ea3bee8bd07
Key [ 7]:34b980088d2b5fd6b6a2aceeda99c9c4
Key [ 8]:e7d06d06078acc4ecdbc8da800b73078
round 5:d3ce1fdfe716d72c1075ff37a8a2093f
Key [ 9]:7d375bad245c3b757380021af8ecd408
Key [10]:14dac4bc2f4dc4929a6cceec47f4c3a3
round 6:47e90cb55be6e8dd0f583623c2f2257b
Key [11]:66cfda3c63e464b05e2e7e25f8743ad7
Key [12]:77cfccdalad380b9fdf1df10846b50e7
round 7:f866ae6624f7abd4a4f5bd24b04b6d43
Key [13]:3e11dd84c031a470a8b66ec6214e44cf
Key [14]:2f03549bdb3c511eea70b65ddbb08253
round 8:02e8e17cf8be4837c9c40706b613dfa8
Key [15]:e2f331229ddfcc6e7bea08b01ab7e70c
Key [16]:b6b0c3738c5365bc77331b98b3fba2ab
Key [17]:f5b3973b636119e577c5c15c87bcfd19
Ka      :38ec0258134ec3f08461ae5c328968a1

```

=====

### 9.5 FOUR TESTS OF E3

```

rand      :00000000000000000000000000000000
aco       :48afcd4bd40fef76693b113
key       :00000000000000000000000000000000
round 1:00000000000000000000000000000000
Key [ 1]:00000000000000000000000000000000
Key [ 2]:4697b1baa3b7100ac537b3c95a28ac64
round 2:78d19f9307d2476a523ec7a8a026042a
Key [ 3]:ecabaac66795580df89af66e66dc053d
Key [ 4]:8ac3d8896ae9364943bfebd4969b68a0
round 3:600265247668dda0e81c07bbb30ed503
Key [ 5]:5d57921fd5715cbb22c1be7bbc996394
Key [ 6]:2a61b8343219fdfb1740e6511d41448f
round 4:d7552ef7cc9dbde568d80c2215bc4277
Key [ 7]:dd0480dee731d67f01a2f739da6f23ca
Key [ 8]:3ad01cd1303e12a1cd0fe0a8af82592c
round 5:fb06bef32b52ab8f2a4f2b6ef7f6d0cd
Key [ 9]:7dad2efc287ce75061302904f2e7233
Key [10]:c08dcfa981e2c4272f6c7a9f52e11538
round 6:b46b711ebb3cf69e847a75f0ab884bdd
Key [11]:fc2042c708e409555e8c147660ffdf7
Key [12]:fa0b21001af9a6b9e89e624cd99150d2
round 7:c585f308ff19404294f06b292e978994
Key [13]:18b40784ea5ba4c80ecb48694b4e9c35
Key [14]:454d54e5253c0c4a8b3fcc7db6baef4
round 8:2665fadbl3acf952bf74b4ab12264b9f
Key [15]:2df37c6d9db52674f29353b0f011ed83
Key [16]:b60316733b1e8e70bd861b477e2456f1
Key [17]:884697b1baa3b7100ac537b3c95a28ac
round 1:5d3ecb17f26083df0b7f2b9b29aef87c
Key [ 1]:e9e5dfc1b3a79583e9e5dfc1b3a79583
Key [ 2]:7595bf57e0632c59f435c16697d4c864
round 2:de6fe85c5827233fe22514a16f321bd8
Key [ 3]:e31b96afcc75d286ef0ae257cbbc05b7
Key [ 4]:0d2a27b471bc0108c6263aff9d9b3b6b
round 3:7cd335b50d09d139ea6702623af85edb
added ->:211100a2ff6954e6e1e62df913a656a7
Key [ 5]:98d1eb5773cf59d75d3b17b3bc37c191
Key [ 6]:fd2b79282408ddd4ea0aa7511133336f
round 4:991dcc3201b5b1c4ceff65a3711e1e9
Key [ 7]:331227756638a41d57b0f7e071ee2a98
Key [ 8]:aa0dd8cc68b406533d0f1d64aabacf20
round 5:18768c7964818805fe4c6ecae8a38599
Key [ 9]:669291b0752e63f806fce76f10e119c8
Key [10]:ef8bdd46be8ee0277e9b78adef1ec154
round 6:82f9aa127a72632af43d1a17e7bd3a09
Key [11]:f3902eb06dc409cfd78384624964bf51
Key [12]:7d72702b21f97984a721c99b0498239d
round 7:1543d7870bf2d6d6efab3cbf62dca97d
Key [13]:532e60bceaf902c52a06c2c283ecfa32
Key [14]:181715e5192efb2a64129668cf5d9dd4
    
```

Appendix IV - Sample Data



```

round 8:eee3e8744a5f8896de95831ed837ffd5
Key [15]:83017c1434342d4290e961578790f451
Key [16]:2603532f365604646ff65803795ccce5
Key [17]:882f7c907b565ea58dae1c928a0dcf41
kc      :cc802aecc7312285912e90af6a1e1154
-----
rand   :950e604e655ea3800fe3eb4a28918087
aco    :68f4f472b5586ac5850f5f74
key    :34e86915d20c485090a6977931f96df5
round 1:950e604e655ea3800fe3eb4a28918087
Key [ 1]:34e86915d20c485090a6977931f96df5
Key [ 2]:8de2595003f9928efaf37e5229935bdb
round 2:d46f5a04c967f55840f83d1cdb5f9afc
Key [ 3]:46f05ec979a97cb6ddf842ecc159c04a
Key [ 4]:b468f0190a0a83783521deae8178d071
round 3:e16edede9cb6297f32e1203e442ac73a
Key [ 5]:8a171624dedbd552356094daaadcf12a
Key [ 6]:3085e07c85e4b99313f6e0c837b5f819
round 4:805144e55e1ece96683d23366fc7d24b
Key [ 7]:fe45c27845169a66b679b2097d147715
Key [ 8]:44e2f0c35f64514e8bec66c5dc24b3ad
round 5:edba77af070bd22e9304398471042f1
Key [ 9]:0d534968f3803b6af447eaf964007e7b
Key [10]:f5499a32504d739ed0b3c547e84157ba
round 6:0dab1a4c846aef0b65b1498812a73b50
Key [11]:e17e8e456361c46298e6592a6311f3fb
Key [12]:ec6d14da05d60e8abac807646931711f
round 7:1e7793cac7f55a8ab48bd33bc9c649e0
Key [13]:2b53dde3d89e325e5ff808ed505706ae
Key [14]:41034e5c3fb0c0d4f445f0cf23be79b0
round 8:3723768baa78b6a23ade095d995404da
Key [15]:e2ca373d405a7abf22b494f28a6fd247
Key [16]:74e09c9068c0e8f1c6902dlb70537c30
Key [17]:767a7f1acf75c3585a55dd4a428b2119
round 1:39809afb773efd1b7510cd4cb7c49f34
Key [ 1]:1d0d48d485abddd3798b483a82a0f878
Key [ 2]:aed957e600a5aed5217984dd5fef6fd8
round 2:6436ddbabe92655c87a7d0c12ae5e5f6
Key [ 3]:fee00bb0de89b6ef0a289696a4faa884
Key [ 4]:33ce2f4411db4dd9b7c42cc586b8a2ba
round 3:cec690f7e0aa5f063062301e049a5cc5
added ->:f7462a0c97e85c1d4572fd52b35efbf1
Key [ 5]:b5116f5c6c29e05e4acb4d02a46a3318
Key [ 6]:ff4fa1f0f73d1a3c67bc2298abc768f9
round 4:dcdfe942e9f0163fc24a4718844b417d
Key [ 7]:5453650c0819e001e48331ad0e9076e0
Key [ 8]:b4ff8dda778e26c0dce08349b81c09a1
round 5:265a16b2f766afae396e7a98c189fda9
Key [ 9]:f638fa294427c6ed94300fd823b31d10
Key [10]:1ccfa0bd86a9879b17d4bc457e3e03d6
round 6:628576b5291d53d1eb8611c8624e863e
Key [11]:0eaae2ef4602ac9ca19e49d74a76d335
    
```

Appendix IV - Sample Data



```
Key [12]:6e1062f10a16e0d378476da3943842e9
round 7:d7b9c2e9b2d5ea5c27019324cae882b3
Key [13]:40be960bd22c744c5b23024688e554b9
Key [14]:95c9902cb3c230b44d14ba909730d211
round 8:97fb6065498385e47eb3df6e2ca439dd
Key [15]:10d4b6e1d1d6798aa0aa2951e32d58d
Key [16]:c5d4b91444b83ee578004ab8876ba605
Key [17]:1663a4f98e2862eddd3ec2fb03dcc8a4
kc      :c1beafea6e747e304cf0bd7734b0a9e2
```

```
-----
rand    :6a8ebcf5e6e471505be68d5eb8a3200c
aco     :658d791a9554b77c0b2f7b9f
key     :35cf77b333c294671d426fa79993a133
round 1:6a8ebcf5e6e471505be68d5eb8a3200c
Key [ 1]:35cf77b333c294671d426fa79993a133
Key [ 2]:c4524e53b95b4bf2d7b2f095f63545fd
round 2:ade94ec585db0d27e17474b58192c87a
Key [ 3]:c99776768c6e9f9dd3835c52cea8d18a
Key [ 4]:f1295db23823ba2792f21217fc01d23f
round 3:da8dc1a10241ef9e6e069267cd2c6825
Key [ 5]:9083db95a6955235bbfad8aefec5f0b
Key [ 6]:8bab6bc253d0d0c7e0107feab728ff68
round 4:e6665ca0772ceecbc21222ff7be074f8
Key [ 7]:2fa1f4e7a4cf3ccd876ec30d194cf196
Key [ 8]:267364be247184d5337586a19df8bf84
round 5:a857a9326c9ae908f53fee511c5f4242
Key [ 9]:9aef21965b1a6fa83948d107026134c7
Key [10]:d2080c751def5dc0d8ea353ceb7b973
round 6:6678748a1b5f21ac05cf1b117a7c342f
Key [11]:d709a8ab70b0d5a2516900421024b81e
Key [12]:493e4843805f1058d605c8d1025f8a56
round 7:766c66fe9c460bb2ae39ec01e435f725
Key [13]:b1ed21b71daea03f49fe74b2c11fc02b
Key [14]:0e1ded7ebf23c72324a0165a698c65c7
round 8:396e0ff7b2b9b7a3b35c9810882c7596
Key [15]:b3bf4841dc92f440fde5f024f9ce8be9
Key [16]:1c69bc6c2994f4c84f72be8f6b188963
Key [17]:bb7b66286dd679a471e2792270f3bb4d
round 1:45654f2f26549675287200f07cb10ec9
Key [ 1]:1e2a5672e66529e4f427b0682a3a34b6
Key [ 2]:974944f1ce0037b1feb7c61a2bc961a2
round 2:990cd869c534e76ed4f4af7b3bfb6c6c8
Key [ 3]:8147631fblce95d624b480fc7389f6c4
Key [ 4]:6e90a2db33d284aal3135f3c032aa4f4
round 3:ceb662f875aa6b94e8192b5989abf975
added ->:8b1bb1d753fe01e1c08b2ba9f55c07bc
Key [ 5]:cbad246d24e36741c46401e6387a05f9
Key [ 6]:dcf52aaec5713110345a41342c566fc8
round 4:d4e000be5de78c0f56ff218f3c1df61b
Key [ 7]:8197537aa9d27e67d17c16b182c8ec65
Key [ 8]:d66e00e73d835927a307a3ed79d035d8
round 5:9a4603bdef954cfaade2052604bed4e4
```

Appendix IV - Sample Data



```

Key [ 9]:71d46257ecc1022bcd312ce6c114d75c
Key [10]:f91212fa528379651fbd2c32890c5e5f
round 6:09a0fd197ab81eb933eece2fe0132dbb
Key [11]:283acc551591fadce821b02fb9491814
Key [12]:ca5f95688788e20d94822f162b5a3920
round 7:494f455a2e7a5db861ece816d4e363e4
Key [13]:ba574aef663c462d35399efb999d0e40
Key [14]:6267afc834513783fef1601955fe0628
round 8:37a819f91c8380fb7880e640e99ca947
Key [15]:fdcd9be5450eef0f8737e6838cd38e2b
Key [16]:8cfbd9b8056c6a1ce222b92b94319b38
Key [17]:4f64c1072c891c39eeb95e63318462e0
kc      :a3032b4df1cceb8adcl1a04427224299
-----
rand    :5ecd6d75db322c75b6afbd799cb18668
aco     :63f701c7013238bbf88714ee
key     :b9f90c53206792b1826838b435b87d4d
round 1:5ecd6d75db322c75b6afbd799cb18668
Key [ 1]:b9f90c53206792b1826838b435b87d4d
Key [ 2]:15f74bbbde4b9d1e08f858721f131669
round 2:72abb85fc80c15ec2b00d72873ef9ad4
Key [ 3]:ef7fb29f0b01f82706c7439cc52f2dab
Key [ 4]:3003a6aecdee06b9ac295cce30dcdb93
round 3:2f10bab93a0f73742183c68f712dfa24
Key [ 5]:5fcdbb3afdf7df06754c954fc6340254
Key [ 6]:ddaa90756635579573fe8calf93d4a38
round 4:183b145312fd99d5ad08e7ca4a52f04e
Key [ 7]:27ca8a7fc703aa61f6d7791fc19f704a
Key [ 8]:702029d8c6e42950762317e730ec5d18
round 5:cbad52d3a026b2e38b9ae6fefffecc32
Key [ 9]:ff15eaa3f73f4bc2a6ccfb9ca24ed9c5
Key [10]:034e745246cd2e2cfc3bda39531ca9c5
round 6:ce5f159d0a1acaacd9fb4643272033a7
Key [11]:0a4d8ff5673731c3dc8fe87e39a34b77
Key [12]:637592fab43a19ac0044a21afef455a2
round 7:8a49424a10c0bea5aba52dbbffcbbcce8
Key [13]:6b3fde58f4f6438843cdbe92667622b8
Key [14]:a10bfa35013812f39bf2157f1c9fca4e
round 8:f5e12da0e93e26a5850251697ec0b917
Key [15]:2228fe5384e573f48fdd19ba91f1bf57
Key [16]:5f174db2bc88925c0fbc6b5485bafc08
Key [17]:28ff90bd0dc31ea2bb479feb7d8fe029
round 1:0c75eed2b54c1cfb9ff522daef94ed4d
Key [ 1]:a21ceb92d3c027326b4de775865fe8d0
Key [ 2]:26f64558a9f0a1652f765efd546f3208
round 2:48d537ac209a6aa07b70000016c602e8
Key [ 3]:e64f9ef630213260f1f79745a0102ae5
Key [ 4]:af6a59d7cebfd0182dcca9a537c4add8
round 3:8b6d517ac893743a401b3fb7911b64e1
added ->:87e23fa87ddf90c1df10616d7eaf51ac
Key [ 5]:9a6304428b45da128ab64c8805c32452
Key [ 6]:8af4d1e9d80cb73ec6b44e9b6e4f39d8
    
```

Appendix IV - Sample Data



```

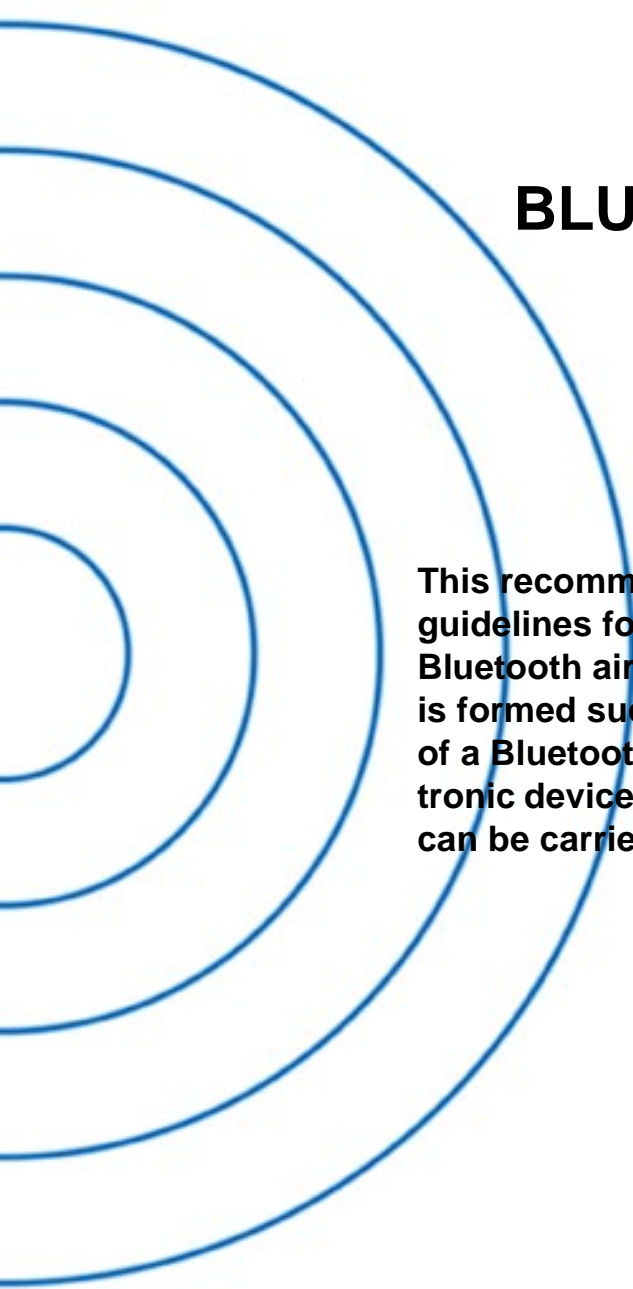
round 4:9f0512260a2f7a5067efc35bf1706831
Key [ 7]:79cc2d138606f0fca4e549c34a1e6d19
Key [ 8]:803dc5cdde0efdbee7a1342b2cd4d344
round 5:0cfd7856edfafac51f29e86365de6f57
Key [ 9]:e8fa996448e6b6459ab51e7be101325a
Key [10]:2acc7add7b294acb444cd933f0e74ec9
round 6:2f1fa34bf352dc77c0983a01e8b7d622
Key [11]:f57de39e42182efd6586b86a90c86bb1
Key [12]:e418dfd1bb22ebf1bfc309cd27f5266c
round 7:ee4f7a53849bf73a747065d35f3752b1
Key [13]:80a9959133856586370854db6e0470b3
Key [14]:f4c1bc2f764a0193749f5fc09011a1ae
round 8:8fec6f7249760ebf69e370e9a4b80a92
Key [15]:d036cef70d6470c3f52f1b5d25b0c29d
Key [16]:d0956af6b8700888a1cc88f07ad226dc
Key [17]:1ce8b39c4c7677373c30849a3ee08794
kc      :ea520cfc546b00eb7c3a6cea3ecb39ed
    
```

=====



## Appendix V

# BLUETOOTH AUDIO



**This recommendation outlines some general guidelines for voice transmission over the Bluetooth air interface. The recommendation is formed such that a smooth audio interface of a Bluetooth terminal to other audio, electronic devices and cellular terminal equipment can be carried out.**



---

## CONTENTS

---

<b>1</b>	<b>General Audio Recommendations.....</b>	<b>989</b>
1.1	Maximum Sound Pressure.....	989
1.2	Other Telephony Network Requirements .....	989
1.3	Audio Levels For Bluetooth.....	989
1.4	Microphone Path.....	990
1.4.1	SLR measurement model.....	990
1.5	Loudspeaker Path.....	990
1.5.1	RLR measurement model .....	990
1.6	Bluetooth Voice Interface .....	990
1.7	Frequency Mask.....	992



# 1 GENERAL AUDIO RECOMMENDATIONS

## 1.1 MAXIMUM SOUND PRESSURE

It is the sole responsibility of each manufacturer to design their audio products in a safe way with regards to injury to the human ear. Bluetooth doesn't specify maximum sound pressure from an audio device.

## 1.2 OTHER TELEPHONY NETWORK REQUIREMENTS

It is the sole responsibility of each manufacturer to design the Bluetooth audio product so that it meets the regulatory requirements of all telephony networks that it may be connected to.

## 1.3 AUDIO LEVELS FOR BLUETOOTH

Audio levels shall be calculated as Send Loudness Rating, SLR, and Receive Loudness Rating, RLR. The calculation methods are specified in ITU-T Recommendation P.79.

The physical test set-up for Handsets and Headsets is described in ITU-T Recommendation P.51 and P.57

The physical test set-up for speakerphones and "Vehicle handsfree systems" is specified in ITU-T Recommendation P.34.

A general equation for computation of loudness rating (LR) for telephone sets is given by ITU-T recommendations P.79 and is given by

$$LR = -\frac{10}{m} \log_{10} \left( \sum_{i=N_1}^{N_2} 10^{m(s_i - w_i)/10} \right), \quad (\text{EQ 1})$$

where

$m$  is a constant ( $\sim 0.2$ ).

$w_i$  = weighting coefficient (different for the various LRs).

$S_i$  = the sensitivity at frequency  $F_i$ , of the electro-acoustic path

$N_1, N_2$ , consecutive filter bank numbers (Art. Index: 200-4000 Hz)

(EQ 1) is used for calculating the (SLR) according to Figure 1.1., and (RLR) according to Figure 1.2:. When calculating LRs one must only include those parts of the frequency band where an actual signal transmission can occur in order to ensure that the additive property of LRs is retained. Therefore ITU-T P.79 uses only the frequency band 200-4000 Hz in LR computations.

## 1.4 MICROPHONE PATH

### 1.4.1 SLR measurement model

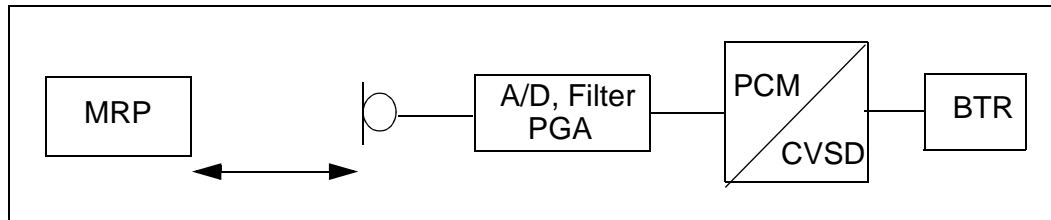


Figure 1.1: SLR measurement set-up.

## 1.5 LOUDSPEAKER PATH

### 1.5.1 RLR measurement model

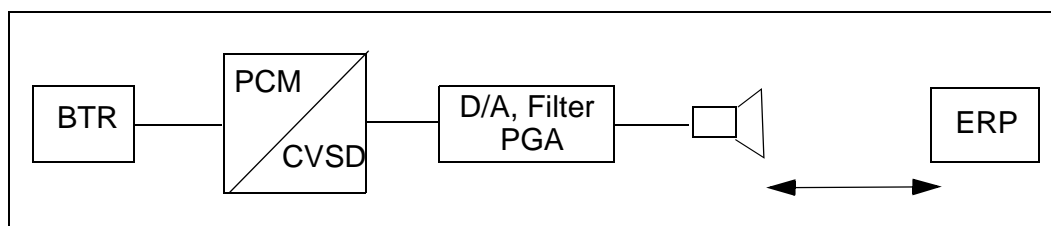


Figure 1.2: RLR measurement set-up.

## 1.6 BLUETOOTH VOICE INTERFACE

The specification for the Bluetooth voice interface should follow in the first place the *ITU-T Recommendations P.79*, which specifies the loudness ratings for telephone sets. These recommendations give general guidelines and specific algorithms used for calculating the loudness ratings of the audio signal with respect to Ear Reference Point (ERP).

For Bluetooth voice interface to the different cellular system terminals, loudness and frequency recommendations based on the cellular standards should be used. For example, GSM 03.50 gives recommendation for both the loudness ratings and frequency mask for a GSM terminal interconnection with Bluetooth.

1- The output of the CVSD decoder are 16-bit linear PCM digital samples, at a sampling frequency of 8 ksample/second. Bluetooth also supports 8-bit log PCM samples of A-law and  $\mu$ -law type. The sound pressure at the ear reference point for a given 16-bit CVSD sample, should follow the sound pressure level given in the cellular standard specification.

2- A maximum sound pressure which can be represented by a 16-bit linear PCM sample at the output of the CVSD decoder should be specified according

to the loudness rating, in ITU P.79 and at PGA value of 0 dB. Programmable Gain Amplifiers (PGAs) are used to control the audio level at the terminals by the user. For conversion between various PCM representations: A-law,  $\mu$ -law and linear PCM, ITU-T G.711, G.712, G.714 give guidelines and PCM value relationships. Zero-code suppression based on ITU-T G.711 is also recommended to avoid network mismatches.

## 1.7 FREQUENCY MASK

For interfacing a Bluetooth terminal to a digital cellular mobile terminal, a compliance of the CVSD decoder signal to the frequency mask given in the cellular standard, is recommended to guarantee correct function of the speech coders. A recommendation for a frequency mask is given in Table 1.1. Figure 1.3: shows a plot of the frequency mask for Bluetooth (solid line). The GSM frequency mask (dotted line) is shown in Figure 1.3: for comparison.

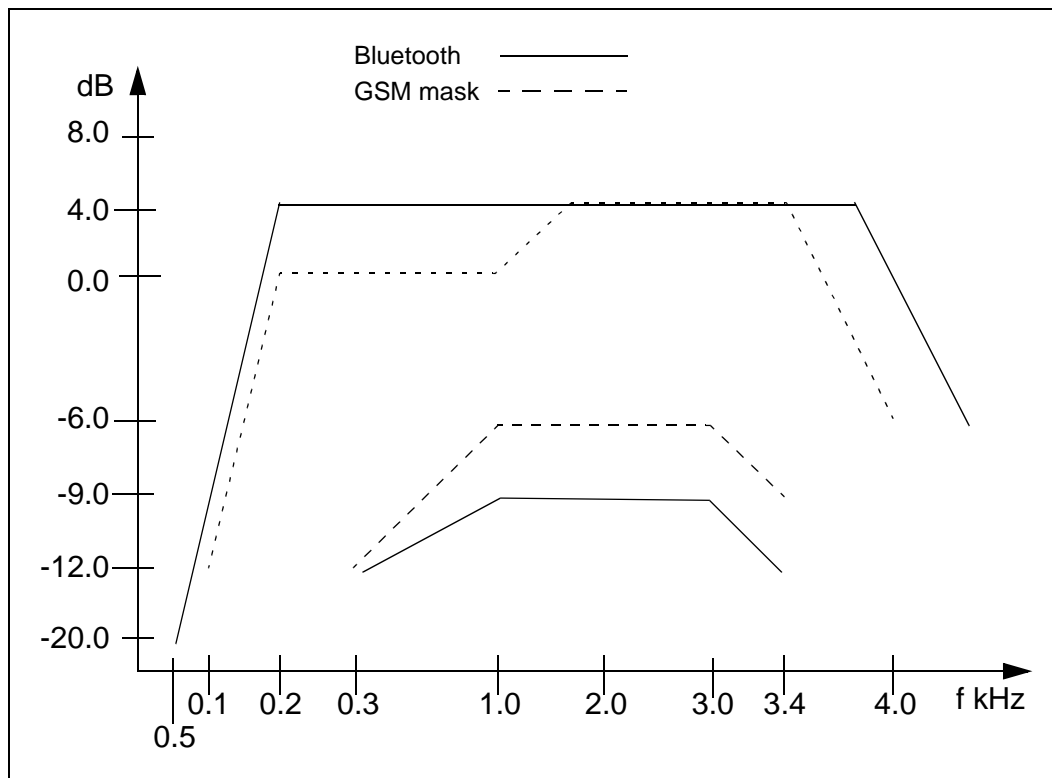


Figure 1.3: Plot of recommended frequency mask for Bluetooth. The GSM send frequency mask is given for comparison (dotted line)

Frequency (Hz)	Upper Limit (dB)	Lower Limit (dB)
50	-20	-
300	4	-12
1000	4	-9
2000	4	-9
3000	4	-9
3400	4	-12
4000	0	-

Table 1.1: Recommended Frequency Mask for Bluetooth



## Appendix VI

# BASEBAND TIMERS

This appendix contains a list of all timers defined the Baseband Specification.



---

**CONTENTS**

---

<b>1</b>	<b>Baseband Timers .....</b>	<b>996</b>
1.1	LIST OF TIMERS .....	996
1.1.1	inquiryTO .....	996
1.1.2	pageTO .....	996
1.1.3	pagerespTO .....	996
1.1.4	inqrespTO .....	996
1.1.5	newconnectionTO .....	996
1.1.6	supervisionTO .....	997

## 1 BASEBAND TIMERS

---

This appendix contains a list of all timers defined in this specification. Definitions and default values of the timers are listed below.

All timer values are given in slots.

### 1.1 LIST OF TIMERS

#### 1.1.1 *inquiryTO*

The *inquiryTO* defines the number of slots the **inquiry** substate will last. Its value is determined by an HCI command.

#### 1.1.2 *pageTO*

The *pageTO* defines the number of slots the **page** substate can last before a response is received. Its value is determined by an HCI command.

#### 1.1.3 *pagerespTO*

In the slave, it defines the number of slots the slave awaits the master's response, FHS packet, after sending the page acknowledgment ID packet. In the master, *pagerespTO* defines the number of slots the master should wait for the FHS packet acknowledgment before returning to **page** substate. Both master and slave units should use the same value for this timeout, to ensure common page/scan intervals after reaching *pagerespTO*.

The *pagerespTO* default value is 8 slots.

#### 1.1.4 *inqrespTO*

In the inquiry scan substate, when a device triggers on an inquiry, it waits a RAND random number of slots and returns to inquiry scan. The *inqRespTO* defines the number of slots the device will stay in the inquiry scan substate without triggering on an inquiry after the RAND wait period. The timeout value should preferably be in multiples of an inquiry train period. Upon reaching the *inqrespTO*, the device returns to **CONNECTION** or **STANDBY** state.

The *inqrespTO* default value is 128 slots.

#### 1.1.5 *newconnectionTO*

Every time a new connection is started through paging, scanning, master-slave switch or unparking, the master sends a POLL packet as the first packet in the new connection. Transmission and acknowledgment of this POLL packet is used to confirm the new connection. If the POLL packet is not received by the

slave or the response packet is not received by the master for *newconnectionTO* number of slots, both the master and the slave will return to the previous substate.

| *newconnectionTO* default value is 32 slots.

### 1.1.6 supervisionTO

The *supervisionTO* is used by both the master and slave to monitor link loss. If a device does not receive any packets that pass the HEC check and have the proper AM\_ADDR for a period of *supervisionTO*, it will reset the link *supervisionTO* will work through hold and sniff periods.

The *supervisionTO* value is determined by an HCI command. At the baseband level a default value that is equivalent to 20 seconds will be used.



Appendix VII

**OPTIONAL PAGING SCHEMES**







---

## **CONTENTS**

---

<b>1</b>	<b>General .....</b>	<b>1003</b>
<b>2</b>	<b>Optional Paging Scheme I .....</b>	<b>1004</b>
2.1	Page .....	1004
2.2	Page Scan .....	1006
2.3	Page Response Procedures .....	1006
2.4	Train Tracing .....	1007



---

## 1 GENERAL

---

For the access procedure, several paging schemes may be used. There is one mandatory paging scheme which has to be supported by all Bluetooth devices. This scheme has been described in [Baseband Specification Section 10.6 on page 99](#) In addition to the mandatory scheme, a Bluetooth unit may support one or more optional paging schemes. The method used for page scan is indicated in the FHS payload, see [Baseband Specification Section 4.4.1.4 on page 56](#). Three additional optional paging schemes are possible; only optional paging scheme **I** has been defined yet.

## 2 OPTIONAL PAGING SCHEME I

In this section the first optional paging scheme is described which may be used according to the rules specified in [Baseband Specification Section 10 on page 95](#) and [LMP Specification Section 3.23 on page 223](#). The paging code for optional scheme **I** is 1 (0 is used for the mandatory scheme), see also [Baseband Specification Section 4.4.1.4 on page 56](#)

The main difference between the first optional paging scheme and the mandatory scheme is the construction of the page train sent by the pager. In addition to transmission in the even master slots, the master is transmitting in the odd master slots as well. This allows the slave unit to reduce the scan window.

### 2.1 PAGE

The same 32 frequencies that are used for transmitting ID-packets in the mandatory paging scheme are used in the optional paging scheme **I** (for the construction of page trains, see [Baseband Specification Section 11.3.2 on page 135](#)). The 32 frequencies are also split into an **A-train** and **B train**. In contrast to the mandatory scheme, the same 32 frequencies that are used for transmitting are also used for reception trials, to catch the response from the addressed device.

The construction of the page train in optional page scheme **I** differs from the page train in the mandatory scheme in two ways:

- the page train consists of 10 slots, or 6.25 ms
- the first 8 slots of the train are used to transmit the ID packets, the 9th slot is used to send a marker packet, and the 10th slot is used for the return of a slave response

The marker packets precede the return slot, indicating the position where the slave can respond, and with which frequency. For the marker codes  $M\_ID$ , bit-inverted page access codes are used. If a marker code is received at  $T_m$  with frequency  $f_k$ , a return is expected at nominally  $T_m+625\mu s$  at frequency  $f_k$ .

**Note:** The bit-inverted code  $M\_ID$  to be used as marker code is beneficial for the implementation of the correlators, because the sign of the correlation peak can be used to identify the mark code during page scanning. Still, the transmitting party is uniquely identified, since inverted ID packets are not identical to the ID packets for the device with bit-wise inverted LAP.

The frequency ordering in the train and the frequencies used for the marker and receive slots change after every train. After 8 trains, all of which have a different appearance, the entire procedure is repeated. It is, therefore, more appropriate to talk about subtrains, each with length 6.25ms. Eight subtrains form a supertrain, which is repeated. An example of a supertrain with the eight subtrains is

illustrated in Figure 2.1. The supertrain length is 50ms. In this example, the **A-train** is assumed with an estimated frequency of  $f_8$ ; as a consequence, the frequencies selected for the train range from  $f_0$  to  $f_{15}$ . The marker codes M\_ID are indicated as **M**; the receive (half) slots are indicated as **R**.

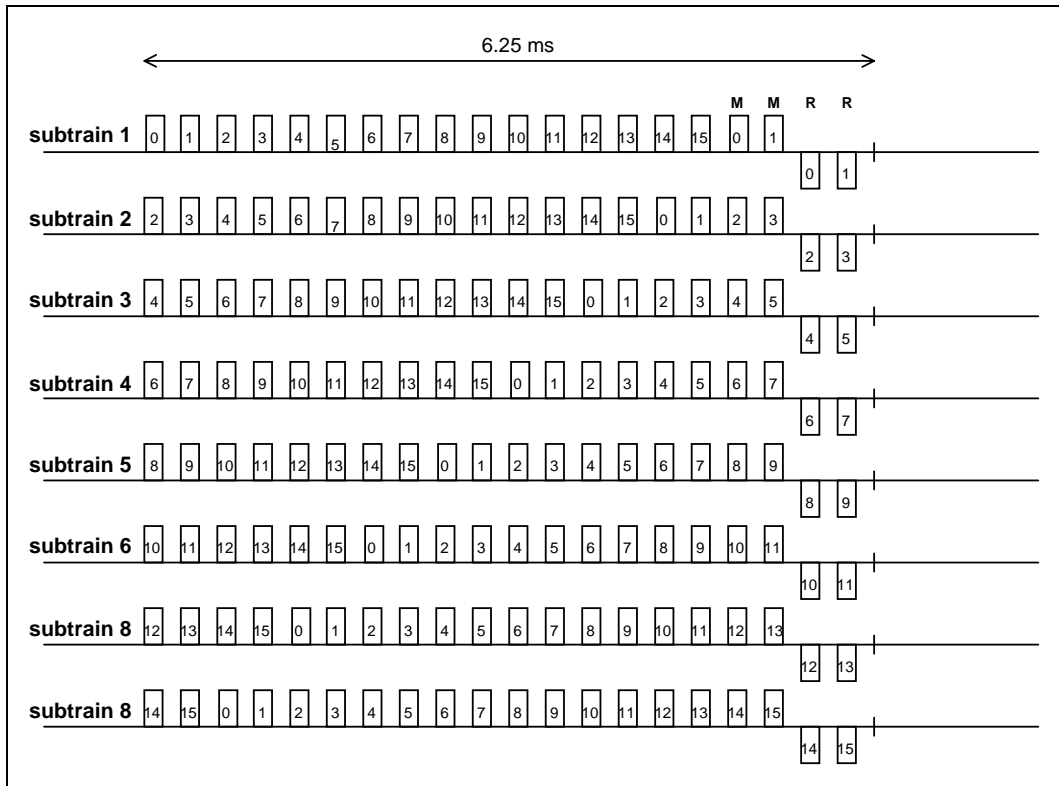


Figure 2.1: Example of train configuration for optional page scheme I.

Corresponding to the paging modes R0, R1 and R2 of the mandatory scheme, the optional scheme supports the same three modes as described for the mandatory scheme in Baseband Specification Section 10.6.2 on page 99

Since the subtrain length is now 10 slots, the 1.28s interval does not cover a multiple of (sub)trains any longer. Therefore, in contrast to the mandatory scheme, the exchange from **A-train** to **B-train** and vice versa is not based on the 1.28s interval, but instead on a multiple number of supertrains. For the R1 and R2 modes, the repetition of a supertrain  $N_{sup}$  is indicated in Table 2.1 below.

mode	No SCO link	One SCO link (HV3)	Two SCO links (HV3)
R1	$N_{sup}=26$	$N_{sup}=52$	$N_{sup}=77$
R2	$N_{sup}=52$	$N_{sup}=103$	$N_{sup}=154$

Table 2.1: Relation between repetition duration of **A-** and **B-**trains and paging modes R1 and R2 when SCO links are present

In accordance with the phase input to the hop selection scheme  $X_p$  in (EQ 4) on page 135 in the Baseband Specification (Section 11.3.2), the phase input  $X_{p\_opt}$  in the optional mode is determined by:

$$X_{p\_opt} = [k_{offset\_opt} + ST(cnt)] \bmod 32 \quad (\text{EQ A1})$$

where  $k_{offset\_opt}$  is determined by the A/B selection and the clock estimation of the recipient:

$$k_{offset\_opt} = \begin{cases} \text{CLKE}_{16-12} + 24 & \text{A-train} \\ \text{CLKE}_{16-12} + 8 & \text{B-train} \end{cases} \quad (\text{EQ A2})$$

and  $ST$  is a function determining the structure of the sub- and supertrain:

$$ST(cnt) = (cnt \bmod 160 - 2 * \text{INT}[(cnt \bmod 160) / 20]) \bmod 16 \quad (\text{EQ A3})$$

$k_{offset\_opt}$  is determined once at the beginning of the repetition period.

The  $\text{CLKE}$  value as is found at the beginning of the repetition interval is taken (the repetition interval being the interval in which the same supertrain is repeated all the time). As long as no train change takes place,  $k_{offset\_opt}$  is not updated.  $cnt$  is a counter which is reset to zero at the beginning of the repetition interval and is incremented at the half-slot rate (3200 cycles/s)

The first two ID-packets of a train are transmitted in an even numbered slot.

## 2.2 PAGE SCAN

The basic page scanning is identical to the mandatory scheme except that a scan duration of  $9.5 \cdot 0.625 = 5.9375$  ms is sufficient at the slave side.

If a device wants to scan concurrently for the mandatory and optional mode (e.g. after an inquiry response was sent), the device shall try to identify whether the paging party uses the optional scheme after an ID packet was caught. This can be done by train tracing; i.e. the device can determine whether transmission takes place in consecutive slots (optional paging scheme **I**) or in every over slot (mandatory paging scheme), and/or whether mark codes are sent.

## 2.3 PAGE RESPONSE PROCEDURES

The page response procedures at the master and slave sides are almost identical to the procedures described in the mandatory mode (see Baseband Specification Section 10.6.4 on page 104). There are two differences:

- The page response routine starts after the transmission and reception of the marker code  $M\_ID$
- The ID packet sent by recipient is identical to the frequency in which the marker code was received

For the page response timing, see Figure 2.2 and Figure 2.3.

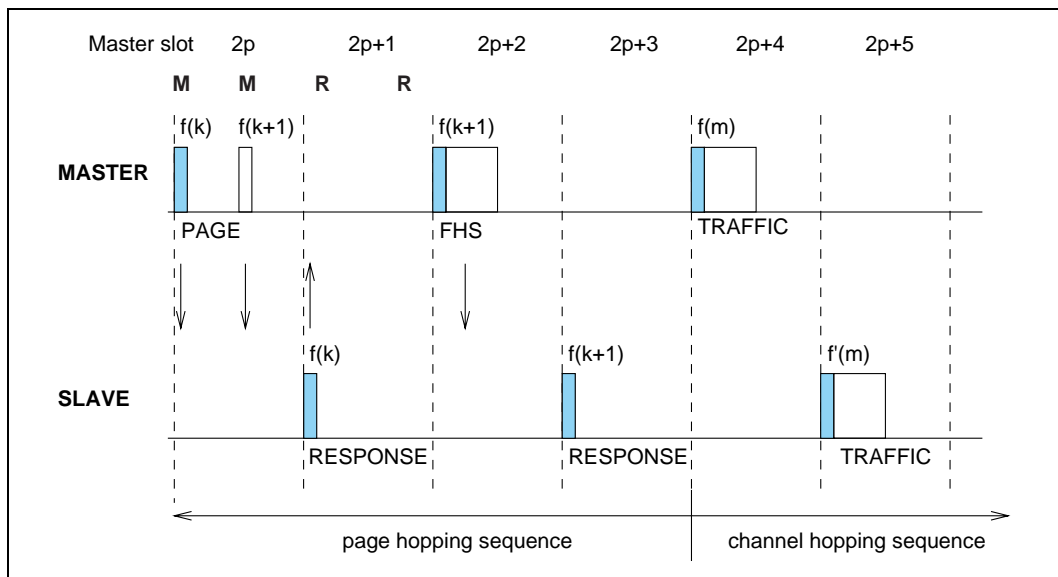


Figure 2.2: Messaging when marker code is received in first half slot of even master slot

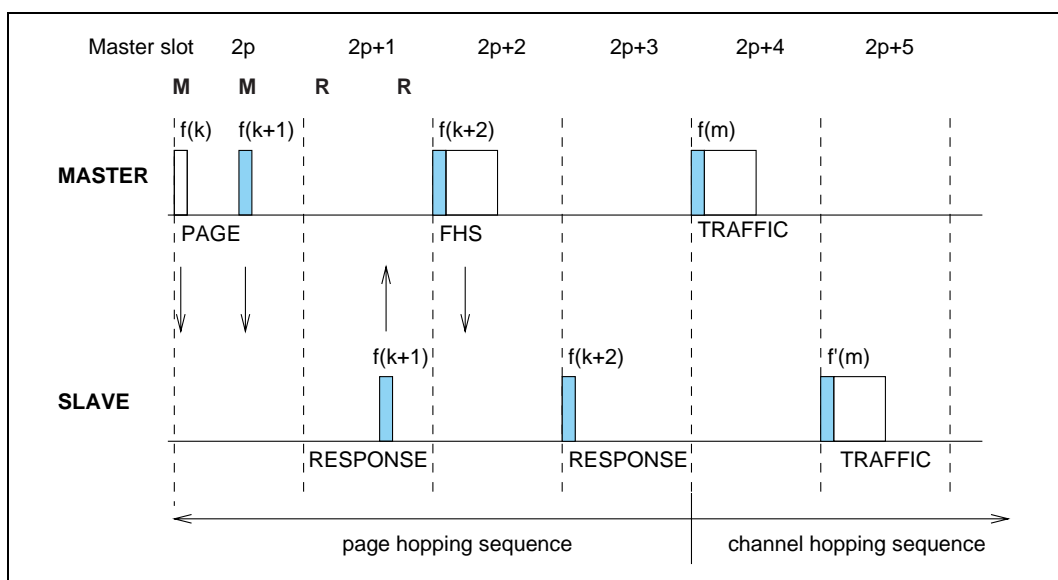


Figure 2.3: Messaging when marker code is received in second half slot of even master slot

## 2.4 TRAIN TRACING

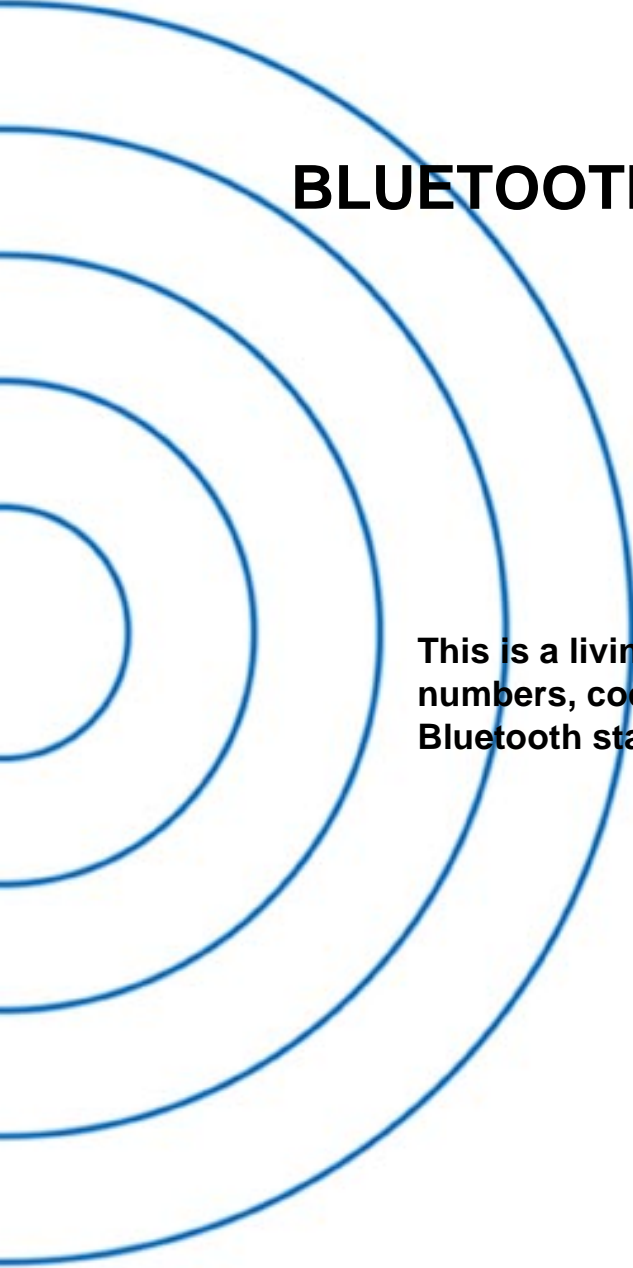
This section outlines how a slave may search for the mark code although the current partitioning into A- and B-trains at the master side is not known. Train tracing means that the slave tries to receive as many page access codes from the train as possible, to catch a mark code as soon as possible. When searching for the mark codes, or trying to distinguish between the mandatory paging mode and the optional paging mode, a unit shall set up a hopping pattern for train tracing after the reception of the first access code. The hopping pattern

shall ensure that the transmission and reception is performed with a 50% probability on the same frequency regardless of the actual frequency set (16 frequencies) used for paging.



## Appendix VIII

# BLUETOOTH ASSIGNED NUMBERS



This is a living document that lists assigned numbers, codes and identifiers in the Bluetooth standard.



**CONTENTS**

<b>1</b>	<b>Bluetooth Baseband .....</b>	<b>1012</b>
1.1	The General- and Device-Specific Inquiry Access Codes (DIACs) .....	1012
1.2	The Class of Device/Service field .....	1012
1.2.1	Major Service Classes.....	1013
1.2.2	Major Device Classes.....	1014
1.2.3	The Minor Device Class field.....	1014
1.2.4	Minor Device Class field - Computer Major Class.....	1015
1.2.5	Minor Device Class field - Phone Major Class .....	1015
1.2.6	Minor Device Class field - LAN Access Point Major Class .....	1016
1.2.7	Minor Device Class field - Audio Major Class .....	1017
<b>2</b>	<b>Link Manager Protocol (LMP).....</b>	<b>1018</b>
2.1	The Link Manger Version parameter.....	1018
2.2	The LMP_Compld parameter codes.....	1018
<b>3</b>	<b>Logical Link Control and Adaptation Protocol (L2CAP).....</b>	<b>1019</b>
3.1	Channel Identifiers .....	1019
3.2	Protocol and Service Multiplexor (PSM) .....	1019
<b>4</b>	<b>Service Discovery Protocol (SDP).....</b>	<b>1020</b>
4.1	Universally Unique Identifier (UUID) short forms .....	1020
4.2	Base Universally Unique Identifier (UUID) .....	1020
4.3	Protocols .....	1021
4.4	Service classes .....	1022
4.5	Attribute Identifier codes .....	1023
4.6	Protocol Parameters .....	1024
4.7	Host Operating Environment Identifiers .....	1024
4.7.1	ClientExecutableURL substitution strings .....	1024
4.7.2	IconURL substitution strings.....	1027
<b>5</b>	<b>References .....</b>	<b>1028</b>
<b>6</b>	<b>Terms and Abbreviations .....</b>	<b>1029</b>
<b>7</b>	<b>List of Figures.....</b>	<b>1030</b>
<b>8</b>	<b>List of Tables .....</b>	<b>1031</b>

# 1 BLUETOOTH BASEBAND

## 1.1 THE GENERAL- AND DEVICE-SPECIFIC INQUIRY ACCESS CODES (DIACS)

The Inquiry Access Code is the first level of filtering when finding Bluetooth devices and services. The main purpose of defining multiple IACs is to limit the number of responses that are received when scanning devices within range.

#	LAP value	Usage
0	0x9E8B33	General/Unlimited Inquiry Access Code (GIAC)
1	0x9E8B00	Limited Dedicated Inquiry Access Code (LIAC)
2-63	0x9E8B01-0x9E8B32, 0x9E8B34-0x9E8B3F	RESERVED FOR FUTURE USE

Table 1.1: The Inquiry Access Codes

The Limited Inquiry Access Code (LIAC) is only intended to be used for limited time periods in scenarios where both sides have been explicitly caused to enter this state, usually by user action. For further explanation of the use of the LIAC, please refer to the Generic Access Profile [7].

In contrast it is allowed to be continuously scanning for the General Inquiry Access Code (GIAC) and respond whenever inquired.

## 1.2 THE CLASS OF DEVICE/SERVICE FIELD

The Class of Device/Service (CoD) field has a variable format. The format is indicated using the 'Format Type field' within the CoD. The length of the Format Type field is variable and ends with two bits different from '11'. The version field starts at the least significant bit of the CoD and may extend upwards.

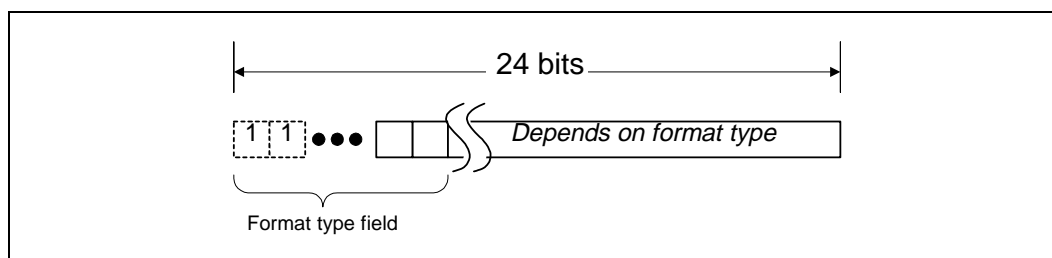


Figure 1.1: General format of Class of Device/Service

In the 'format #1' of the CoD (Format Type field = 00), 11 bits are assigned as a bit-mask (multiple bits can be set) each bit corresponding to a high level generic category of service class. Currently 7 categories are defined. These

are primarily of a 'public service' nature. The remaining 11 bits are used to indicate device type category and other device-specific characteristics.

Any reserved but otherwise unassigned bits, such as in the Major Service Class field, should be set to 0.

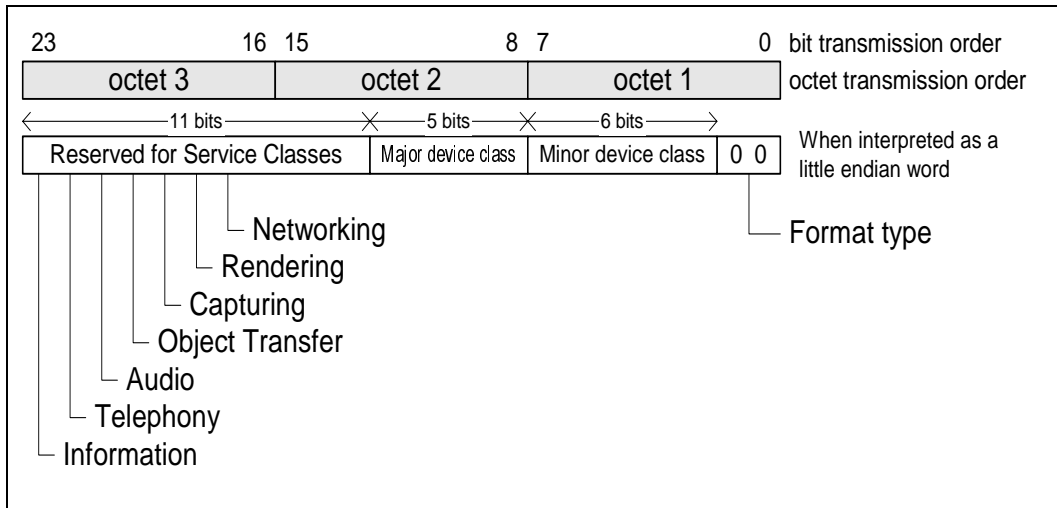


Figure 1.2: The Class of Device/Service field (format type 1). Note the order in which the octets are sent on the air and stored in memory.

### 1.2.1 Major Service Classes

Bit no	Major Service Class
13	Limited Discoverable Mode <sup>1</sup>
14	(reserved)
15	(reserved)
16	(reserved)
17	Networking (LAN, Adhoc, ...)
18	Rendering (Printing, Speaker, ...)
19	Capturing (Scanner, Microphone, ...)
20	Object Transfer (v-Inbox, v-Folder, ...)
21	Audio (Speaker, Microphone, Headset service, ...)
22	Telephony (Cordless telephony, Modem, Headset service, ...)
23	Information (WEB-server, WAP-server, ...)

Table 1.2: Major Service Classes

1. As defined in [7]

## 1.2.2 Major Device Classes

The Major Class segment is the highest level of granularity for defining a Bluetooth Device. The main function of a device is used to determine the major class grouping. There are 32 different possible major classes. The assignment of this Major Class field is defined in [Table 1.3](#).

Code (bits)					Major Device Class
12	11	10	9	8	bit no of CoD
0	0	0	0	0	Miscellaneous <sup>1</sup>
0	0	0	0	1	Computer (desktop, notebook, PDA, organizers, ...)
0	0	0	1	0	Phone (cellular, cordless, payphone, modem, ...)
0	0	0	1	1	LAN Access Point
0	0	1	0	0	Audio (headset, speaker, stereo, ...)
0	0	1	0	1	Peripheral (mouse, joystick, keyboards, ...)
x	x	x	x	x	Range 0x06 to 0x1E reserved
1	1	1	1	1	Unclassified, specific device code not assigned

Table 1.3: Major Device Classes

1. Used where a more specific Major Device Class code is not suited (but only as specified in this document. Devices that do not have a major class code assigned can use the all-1 code until 'classified')

## 1.2.3 The Minor Device Class field

The 'Minor Device Class field' (bits 7 to 1 in the CoD), are to be interpreted only in the context of the Major Device Class (but independent of the Service Class field). Thus the meaning of the bits may change, depending on the value of the 'Major Device Class field'. When the Minor Device Class field indicates a device class, then the primary device class should be reported, e.g. a cellular phone that can also work as a cordless handset should use 'Cellular' in the minor device class field.

### 1.2.4 Minor Device Class field - Computer Major Class

Code (bits)						Minor Device Class
7	6	5	4	3	2	bit no of CoD
0	0	0	0	0	0	Unclassified, code for device not assigned
0	0	0	0	0	1	Desktop workstation
0	0	0	0	1	0	Server-class computer
0	0	0	0	1	1	Laptop
0	0	0	1	0	0	Handheld PC/PDA (clam shell)
0	0	0	1	0	1	Palm sized PC/PDA
x	x	x	x	x	x	Range 0x06-0x7F reserved

Table 1.4: Sub Device Class field for the 'Computer' Major Class

### 1.2.5 Minor Device Class field - Phone Major Class

Code (bits)						Minor Device Class
7	6	5	4	3	2	bit no of CoD
0	0	0	0	0	0	Unclassified, code not assigned
0	0	0	0	0	1	Cellular
0	0	0	0	1	0	Cordless
0	0	0	0	1	1	Smart phone
0	0	0	1	0	0	Wired modem or voice gateway
x	x	x	x	x	x	Range 0x05-0x7F reserved

Table 1.5: Sub Device Classes for the 'Phone' Major Class

### 1.2.6 Minor Device Class field - LAN Access Point Major Class

Code (bits)			Minor Device Class
7	6	5	bit no of CoD
0	0	0	Fully available
0	0	1	1-17% utilized
0	1	0	17 - 33% utilized
0	1	1	33 - 50% utilized
1	0	0	50 - 67% utilized
1	0	1	67 - 83% utilized
1	1	0	83 - 99% utilized
1	1	1	No Service Available <sup>1</sup>

Table 1.6: The LAN Access Point Load Factor field

1. "Device is fully utilized and cannot accept additional connections at this time, please retry later"

The exact loading formula is not standardized. It is up to each LAN Access Point implementation to determine what internal conditions to report as a utilization percentage. The only requirement is that the number reflects an ever-increasing utilization of communication resources within the box. As a recommendation, a client that locates multiple LAN Access Points should attempt to connect to the one reporting the lowest load.

Code (bits)			Minor Device Class
4	3	2	bit no of CoD
0	0	0	Unclassified (use this value if no other apply)
x	x	x	range 0x01-0x0F reserved

Table 1.7: Reserved sub-field for the LAN Access Point



### 1.2.7 Minor Device Class field - Audio Major Class

Code (bits)						Minor Device Class
7	6	5	4	3	2	bit no of CoD
0	0	0	0	0	0	Unclassified, code not assigned
0	0	0	0	0	1	Device conforms to the Headset profile <a href="#">[9]</a>
x	x	x	x	x	x	Range 0x02-0x7F reserved

Table 1.8: Sub Device Classes for the 'Audio' Major Class

## 2 LINK MANAGER PROTOCOL (LMP)

### 2.1 THE LINK MANGER VERSION PARAMETER

Parameter name	Assigned values	
VersNr	0	Bluetooth LMP 1.0, [2]
	1-255	(reserved)

Table 2.1: The LMP Version Parameter Values

### 2.2 THE LMP\_COMPID PARAMETER CODES

This is the parameter used in the LMP Version procedure.

Code	Company
0	Ericsson Mobile Communications
1	Nokia Mobile Phones
2	Intel Corp.
3	IBM Corp.
4	Toshiba Corp.
5 - 65534	(reserved)
65535	Unassigned. For use in internal and interoperability tests before a Company ID has been assigned. May not be used in products.

Table 2.2: The LMP\_CompId parameter codes

### 3 LOGICAL LINK CONTROL AND ADAPTATION PROTOCOL (L2CAP)

Please see [Section 4.3](#) for assigned PSM values.

#### 3.1 CHANNEL IDENTIFIERS

Destination CID	Protocol/usage	Reference
0x0000	Illegal, should not be used	[3]
0x0001	L2CAP signalling channel	[3]
0x0002	L2CA connection less data	[3]
0x0003 - 0x003F	(reserved)	

Table 3.1: Pre-defined L2CAP Channel Identifiers

#### 3.2 PROTOCOL AND SERVICE MULTIPLEXOR (PSM)

Protocol	PSM	Reference
SDP	0x0001	[4]
RFCOMM	0x0003	[5]
TCS-BIN	0x0005	[6]
TCS-BIN-CORDLESS	0x0007	[6]

Table 3.2: Assigned Protocol and Service Multiplexor values (PSM)

## 4 SERVICE DISCOVERY PROTOCOL (SDP)

### 4.1 UNIVERSALLY UNIQUE IDENTIFIER (UUID) SHORT FORMS

The Bluetooth Service Discovery Protocol (SDP) specification defines a way to represent a range of UUIDs (which are nominally 128-bits) in a shorter form. A *reserved* range of  $2^{32}$  values can be represented using 32-bits (denoted uuid32). Of these, a sub-range of  $2^{16}$  values can be represented using only 16-bits (denoted uuid16). Any value in the  $2^{32}$  range that is not assigned in this document is reserved pending future revisions of this document. In other words, no value in this range may be used except as specified in this or future revisions of this document. UUID values outside of this range can be allocated as described in [19] for any purpose the allocator desires.

### 4.2 BASE UNIVERSALLY UNIQUE IDENTIFIER (UUID)

The Base UUID is used for calculating 128-bit UUIDs from 'short UUIDs' (uuid16 and uuid32) as described in the SDP Specification [4].

Mnemonic	UUID
BASE_UUID	00000000-0000-1000-8000-00805F9B34FB

### 4.3 PROTOCOLS

Mnemonic	UUID	Name	Ref.
SDP	uuid16: 0x0001 <sup>1</sup>	sdp.bt	[4]
RFCOMM	uuid16: 0x0003	com.bt	[5]
TCS-BIN	uuid16: 0x0005	tcs.bt	[6]
L2CAP	uuid16: 0x0100		[3]
IP	uuid16: 0x0009		
UDP	uuid16: <u>0x0002</u>		
TCP	uuid16: 0x0004		
TCS-AT	uuid16: 0x0006	modem	
OBEX	uuid16: 0x0008	obex	
FTP	uuid16: 0x000A	ftp	
HTTP	uuid16: 0x000C	http	
WSP	uuid16: 0x000E	wsp	

Table 4.1: Protocol Universally Unique Identifiers and Names

1. 'Short UUID'

### 4.4 SERVICE CLASSES

Mnemonic	UUID	Profile <sup>1</sup>	AbstractName
ServiceDiscoveryServerServiceClassID	uuid16: 0x1000		
BrowseGroupDescriptorServiceClassID	uuid16: 0x1001		
PublicBrowseGroup	uuid16: 0x1002		
SerialPort	uuid16: 0x1101	[7]	serial.bt
LANAccessUsingPPP	uuid16: 0x1102		
DialupNetworking	uuid16: 0x1103	[13]	
IrMCSync	uuid16: 0x1104	[17]	
OBEXObjectPush	uuid16: 0x1105	[16]	
OBEXFileTransfer	uuid16: 0x1106	[15]	
IrMCSyncCommand	uuid16: 0x1107	[17]	
Headset	uuid16: 0x1108	[7]	headset
CordlessTelephony	uuid16: 0x1109	[10]	
Intercom	uuid16: 0x1110	[11]	
Fax	uuid16: 0x1111	[12]	
HeadsetAudioGateway	uuid16: 0x1112	[7]	
PnPInformation	uuid16: 0x1200		
GenericNetworking	uuid16: 0x1201	n/a	
GenericFileTransfer	uuid16: 0x1202	n/a	
GenericAudio	uuid16: 0x1203	n/a	
GenericTelephony	uuid16: 0x1204	n/a	

Table 4.2: Service Class Identifiers and Names

1. If the specified Service Class directly and exactly implies a certain Profile, the Profile is indicated here (i.e. for concrete Service Classes). Leave empty for abstract Service Classes.

The Profile column in Table 4.2 indicates which Service Class identifiers that also directly corresponds to a Bluetooth Profile. It is not allowed to use the Service Class UUID unless the service complies with the specified Profile. These UUIDs might also appear as Profile Identifiers in the BluetoothProfileDescriptorList attribute.

## 4.5 ATTRIBUTE IDENTIFIER CODES

Mnemonic	Attribute ID	Reference
ServiceRecordHandle	0x0000	[4] <i>Bluetooth Service Discovery Protocol (SDP)</i> , Bluetooth SIG
ServiceClassIDList	0x0001	
ServiceRecordState	0x0002	
ServiceID	0x0003	
ProtocolDescriptorList	0x0004	
BrowseGroupList	0x0005	
LanguageBaseAttributeIDList	0x0006	
ServiceInfoTimeToLive	0x0007	
ServiceAvailability	0x0008	
BluetoothProfileDescriptorList	0x0009	
DocumentationURL	0x000A	
ClientExecutableURL	0x000B	
Icon10	0x000C	
IconURL	0x000D	
Reserved	0x000E- 0x01FF	
ServiceName	0x0000 + b <sup>1</sup>	
ServiceDescription	0x0001 + b	
ProviderName	0x0002 + b	
VersionNumberList	0x0200	
ServiceDatabaseState	0x0201	
GroupID	0x0200	
Remote audio volume control	0x0302 <sup>2</sup>	[7]
External network	0x0301	[10]
Service Version	0x0300	
Supported Data Stores List	0x0301	[17]
Supported Formats List	0x0303	[16]

Table 4.3: Attribute Identifiers

Mnemonic	Attribute ID	Reference
Fax Class 1 Support	0x0302	[12]
Fax Class 2.0 Support	0x0303	
Fax Class 2 Support	0x0304	
Audio Feedback Support	0x0305	

Table 4.3: Attribute Identifiers

- 'b' in this table represents a base offset as given by the LanguageBaseAttributeIDList attribute. For the primary language, 'b' must be equal to 0x0100 as described in the SDP specification.
- Items in *italic* are tentative values in this version of the document.

## 4.6 PROTOCOL PARAMETERS

Protocol	Parameter mnemonic	Index
L2CAP	PSM	1
TCP or UDP	Port	1
RFCOMM	Channel	1

Table 4.4: Protocol Parameters

## 4.7 HOST OPERATING ENVIRONMENT IDENTIFIERS

### 4.7.1 ClientExecutableURL substitution strings

The operating environment identifier strings have the following format<sup>1</sup>:

```
<cpu_type>-<manufacturer>[-<kernel>-]<os>[<version>][-<object_format>]
```

The general rule is that is that a new identifier should only be defined as required to differentiate incompatible operating environments concerning an executable file image. That is, for example different <version>-tags should not be used for compatible versions of the same operating system.

1. It is based on a format used by the GNU AutoConfig tools



Currently defined tags:

CPU-Type ID	Description
alpha	Digital Alpha* compatible
arm	ARM* core or compatible
i86	Any Intel* 80x86-family compatible CPU
i960	Intel* i960 compatible
jvm	Java Virtual Machine*
mips	MIPS MIPS* compatible
ppc	IBM/Motorola PowerPC* compatible
sh3	Hitachi SH-3* compatible
sh4	Hitachi SH-4* compatible
sparc	Sun Sparc* compatible
Kernel ID	Description
chorus, linux, javaos, os9, qnx, vxworks	
<os>	An 'OS identifier' as listed below, might appear in the <kernel> field when the requested OS platform is Java based.
OS+Version-Identifiers	
amigaos, beos4.5, ejava, epocc, epoce, epocq, epocs, gnu, jre1.1, jre1.2, macos, macosx, os2, os9, palmos, pjava, pjava1.1, photon, plan9, qnx, rtjava, win95, win98, win2000, wince, winnt4	
Object Format Identifiers <sup>1</sup>	
aout, bout, coff, elf, jar	
Manufacturer Identifiers	
amiga*, apple*, be*, ericsson*, ibm*, intel*, lucent*, microsoft*, microware*, motorola*, nokia*, palm*, psion*, qnx*, sun*, symbian*, toshiba*, unknown <sup>2</sup>	

1. Only applicable when the object format is not otherwise uniquely implied by the identifier string.
2. Use when no other applies.

For Linux, the 'manufacturer' field may be used to indicate Linux distribution if so required (in which case <version> indicates the version of the distribution). Otherwise use 'unknown'.

Linux Distribution Identifiers
caldera, debian, dlx, doslinux, linuxpro, linuxware, mandrake, mklinux, redhat, slackware, stampede, suse, turbolinux, yggdrasil

Example Operating Environment Identifier Strings		
i86-microsoft-win95	ppc-apple-macos	i86-redhat-linux-gnu6
i86-microsoft-win98	m68k-apple-macos	ppc-mklinux-linux-gnu
i86-microsoft-winnt4	ppc-apple-macosx	
alpha-microsoft-winnt4	i86-apple-macosx	
i86-microsoft-win2000	m68k-amiga-amigaos	
alpha-microsoft-win2000	ppc-amiga-amigaos	
i86-be-beos4.5	jvm-sun-jre1.2	
ppc-be-beos4.5	jvm-sun-pjava1.1	
arm-symbian-epoc3	jvm-sun-ejava	
i86-unknown-linux-gnu	m68k-palm-palmos-coff	
sh3-microsoft-wince	ppc-ibm-vxworks-pjava1.2	
arm-microsoft-wince	sparc-sun-javaos-jre1.2	

### 4.7.2 IconURL substitution strings

The IconURL operating environment identifier strings have the following general format:

```
<horizontal_pixels>x<vertical_pixels>x<color_depth>[m].<file_format>
```

The optional tag 'm' indicates monochrome or grayscale. The host is free to try to match/request any graphics file format as indicated by a <file\_format> tag, however at a minimum files conforming to the Portable Network Graphic standard [18] should be made available at the resulting URL (indicated by <file\_format>=png)<sup>2</sup>.

File format tag	Description
png	Portable Network Graphics [18]
gif	Graphics Interchange File format
bmp	Windows bitmap

Currently defined IconURL Icon format identifier strings:

Example Icon format Identifier Strings	
32x32x8.png	256 color 32 by 32 icon (or 255 colors + transparent)
16x16x8.png	
16x16x1m.png	Black and white (or monochrome + transparent)
10x10x2m.png	4 gray-scales

2. The use of PNG, and whether a subset of PNG should be required, is currently pending further investigation.

## 5 REFERENCES

---

- [1] *Bluetooth Baseband Specification*, Bluetooth SIG
- [2] *Bluetooth Link Manager Specification*, Bluetooth SIG
- [3] *Logical Link Control and Adaptation Protocol Specification*, Bluetooth SIG
- [4] *Bluetooth Service Discovery Protocol (SDP)*, Bluetooth SIG
- [5] *RFCOMM with TS 07.10*, Bluetooth SIG
- [6] *Bluetooth Telephony Control Specification / TCS Binary*, Bluetooth SIG
- [7] *Generic Access Profile*, Bluetooth SIG
- [8] *Serial Port Profile*, Bluetooth SIG
- [9] *Headset Profile*, Bluetooth SIG
- [10] *Cordless Telephony Profile*, Bluetooth SIG
- [11] *Intercom Profile*, Bluetooth SIG
- [12] *Fax Profile*, Bluetooth SIG
- [13] *Dial-up Networking Profile*, Bluetooth SIG
- [14] *IrDA Interoperability*, Bluetooth SIG
- [15] *File Transfer Profile*, Bluetooth SIG
- [16] *Object Push Profile*, Bluetooth SIG
- [17] *Synchronization Profile*, Bluetooth SIG
- [18] *Portable Network Graphics (PNG)*, <http://www.w3.org/Graphics/PNG>
- [19] *UUIDs and GUIDs*, P. J. Leach et al, <http://www.ietf.org/internet-drafts/draft-leach-uuids-guids-01.txt>

## 6 TERMS AND ABBREVIATIONS

---

LMP	Link Management Protocol
L2CA	Logical Link Control and Adaptation, protocol multiplexer layer for Bluetooth
MTU	Maximum Transmission Unit
SAP	Service Access Points
Baseband	Baseband Protocol
Service Discovery	The ability to discover the capability of connecting devices or hosts.
PnP	Plug and Play
SAR	Segmentation and Reassembly
IP	Internet Protocol
IrDA	InfraRed Data Association
PPP	Point-to-Point Protocol
IETF	Internet Engineering Task Force
RFC	Request For Comments

---

## **7 LIST OF FIGURES**

---

Figure 1.1: General format of Class of Device/Service ..... 1012  
Figure 1.2: The Class of Device/Service field (format type 1)..... 1013

**8 LIST OF TABLES**

Table 1.1:	The Inquiry Access Codes .....	1012
Table 1.2:	Major Service Classes .....	1013
Table 1.3:	Major Device Classes .....	1014
Table 1.4:	Sub Device Class field for the 'Computer' Major Class .....	1015
Table 1.5:	Sub Device Classes for the 'Phone' Major Class.....	1015
Table 1.6:	The LAN Access Point Load Factor field .....	1016
Table 1.7:	Reserved sub-field for the LAN Access Point .....	1016
Table 1.8:	Sub Device Classes for the 'Audio' Major Class .....	1017
Table 2.1:	The LMP Version Parameter Values .....	1018
Table 2.2:	The LMP_CompId parameter codes .....	1018
Table 3.1:	Pre-defined L2CAP Channel Identifiers .....	1019
Table 3.2:	Assigned Protocol and Service Multiplexor values (PSM) .....	1019
Table 4.1:	Protocol Universally Unique Identifiers and Names .....	1021
Table 4.2:	Service Class Identifiers and Names .....	1022
Table 4.3:	Attribute Identifiers .....	1023
Table 4.4:	Protocol Parameters .....	1024





## Appendix IX

# MESSAGE SEQUENCE CHARTS

Between Host and Host Controller/Link Manager

This document shows examples of interworking between HCI Commands and LM Protocol Data Units in form of message sequence charts. It helps to understand and to correctly use the HCI Commands.



## CONTENTS

---

<b>1</b>	<b>Introduction .....</b>	<b>1037</b>
<b>2</b>	<b>Services without connection request.....</b>	<b>1038</b>
2.1	Remote Name Request.....	1038
2.2	One-Time Inquiry .....	1039
2.3	Periodic Inquiry .....	1040
<b>3</b>	<b>ACL connection establishment and detachment .....</b>	<b>1042</b>
3.1	ACL Connection Request phase.....	1043
3.2	ACL Connection Setup phase.....	1045
3.2.1	Pairing .....	1045
3.2.2	Authentication.....	1047
3.3	Encryption and Connection Setup Complete .....	1047
3.4	ACL Disconnection.....	1048
<b>4</b>	<b>Optional activities after ACL Connection establishment .....</b>	<b>1050</b>
4.1	Authentication Requested .....	1050
4.2	Set Connection Encryption.....	1051
4.3	Change Connection Link Key.....	1052
4.4	Master Link Key .....	1053
4.5	Read Remote Supported Features .....	1055
4.6	Read Clock Offset.....	1055
4.7	Read Remote Version Information .....	1056
4.8	QoS Setup .....	1057
4.9	Switch Role .....	1057
<b>5</b>	<b>SCO Connection establishment and detachment .....</b>	<b>1059</b>
5.1	SCO Connection setup .....	1059
5.1.1	Master activates the SCO Connection setup .....	1059
5.1.2	Slave activates the SCO Connection setup .....	1060
5.2	SCO Disconnection.....	1060
<b>6</b>	<b>Special modes: sniff, hold, park .....</b>	<b>1062</b>
6.1	Sniff Mode .....	1062
6.2	Hold Mode.....	1063
6.3	Park Mode.....	1065
6.3.1	Enter park mode.....	1065
6.3.2	Exit Park Mode .....	1066
<b>7</b>	<b>Buffer management, flow control .....</b>	<b>1068</b>
<b>8</b>	<b>Loopback Mode .....</b>	<b>1070</b>
8.1	Local Loopback Mode .....	1070
8.2	Remote Loopback Mode .....	1072

**9 List of Acronyms and Abbreviations ..... 1073**

**10 List of Figures ..... 1074**

**11 List of Tables ..... 1075**

**12 References..... 1076**

# 1 INTRODUCTION

---

The goal of this document is to show the interworkings of HCI-Commands and LM-PDUs. It focuses on the message sequence charts for the procedures specified in [3] “Bluetooth Host Controller Interface Functional Specification” with regard to LM Procedures from [2] “Link Manager Protocol”.

We illustrate here the most useful scenarios, but we do not cover all possible alternatives. Furthermore, the message sequence charts do not consider the transfer error over Air Interface or Host Interface. In all message sequence charts it is assumed that all events are not masked, so the Host Controller will not filter out any events.

Notation used in the message sequence charts:

**Box:**

- Replaces a group of transactions
- Indicates the start of a procedure or a sub-scenario

Note: in a message sequence chart where several sub-scenarios exist, the sub-scenarios can be executed optionally, consequently, exclusively or independently from each other.

**Hexagon:**

- Indicates a condition that is needed to start the transaction below this hexagon

**Arrow:**

- Represents a message, signal or transaction

**Comment:**

- “/\* ... \*/” indicates editor comments

---

## 2 SERVICES WITHOUT CONNECTION REQUEST

---

### 2.1 REMOTE NAME REQUEST

The service Remote Name Request is used to find out the name of the remote BT Device without an explicit ACL Connection request.

Sending an HCI\_Remote\_Name\_Request (BD\_ADDR, Page\_Scan\_Repetition\_Mode, Page\_Scan\_Mode, Clock\_Offset), the Host expects that its local BT Device will automatically try to connect to the remote BT Device (with the specified BD\_ADDR). Then the local BT Device should try to get the name, to disconnect, and finally to return the name of the remote BT Device back to the Host (see [Figure 2.1](#) Remote Name Request: sub-scenario 1).

Note: if an ACL Connection already exists (see [Figure 2.1](#) Remote Name Request: sub-scenario 2), the Remote Name Request procedure will be executed like an optional service. No Paging and no ACL Detachment need to be done.

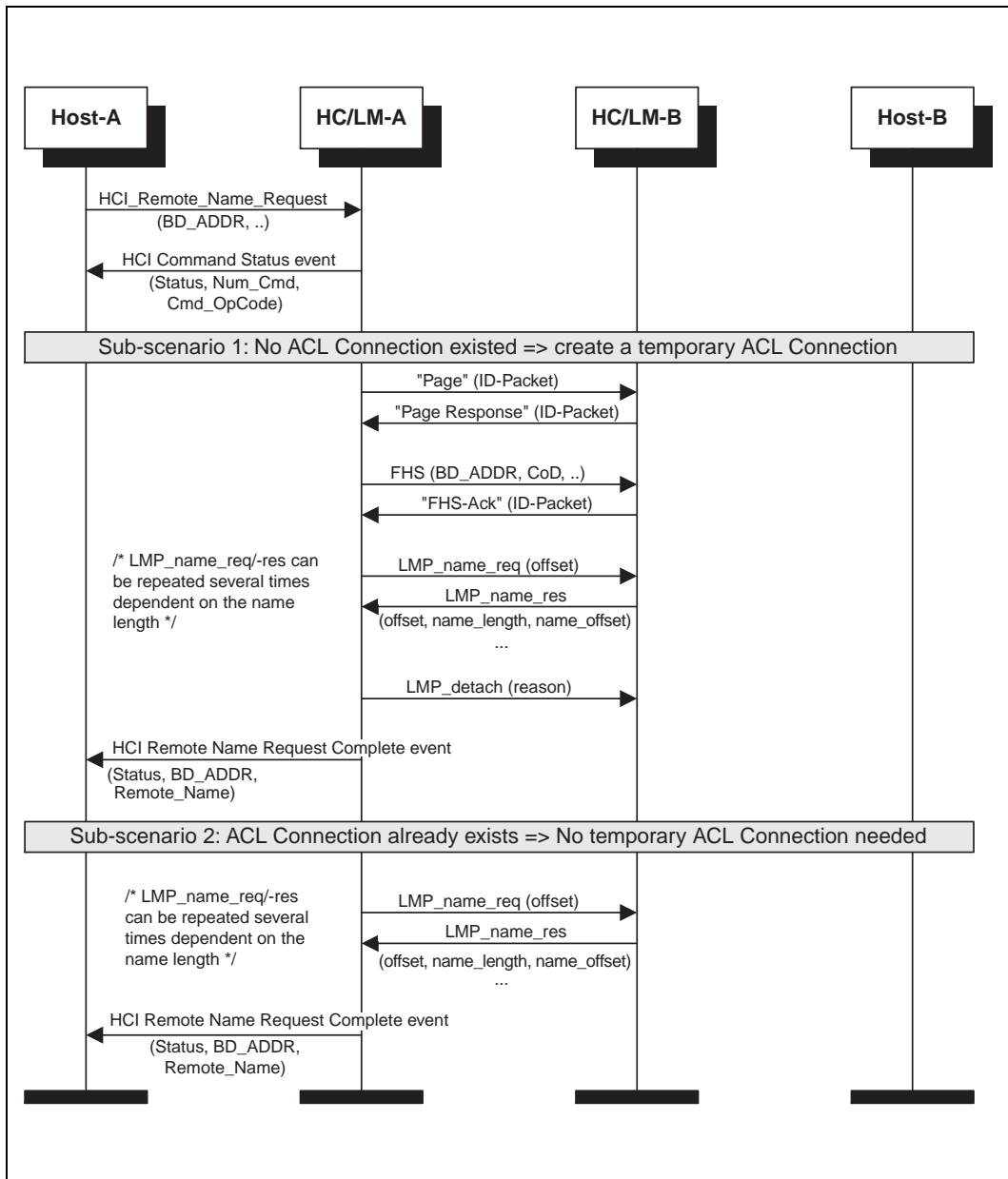


Figure 2.1: Remote Name Request

## 2.2 ONE-TIME INQUIRY

Inquiry is used to detect and collect nearby BT Devices. When receiving the command `HCI_Inquiry (LAP, Inquiry_Length, Num_Responses)`, HC will start the baseband inquiry procedure with an Inquiry Access Code (derived from the specified LAP) and Inquiry Length. When Inquiry Responses are received, HC will filter out and then return the information related to the found BT Devices using one or several Inquiry Result events (`Num_Responses, BD_ADDR[i], Page_Scan_Repetition_Mode[i], Page_Scan_Period_Mode[i], Page_Scan_Mode[i], Class_Of_Device[i], Clock_Offset[i]`) to the Host.

The filtering of found BT Devices is specified in HCI\_Set\_Event\_Filter (Filter\_Type, Filter\_Condition\_Type, Condition) with the Filter\_Type = Inquiry Result. When the Inquiry procedure is completed, Inquiry Complete event (Status, Num\_Responses) must be returned to the Host. Otherwise, the command HCI\_Inquiry\_Cancel() will be used to directly stop the inquiry procedure.

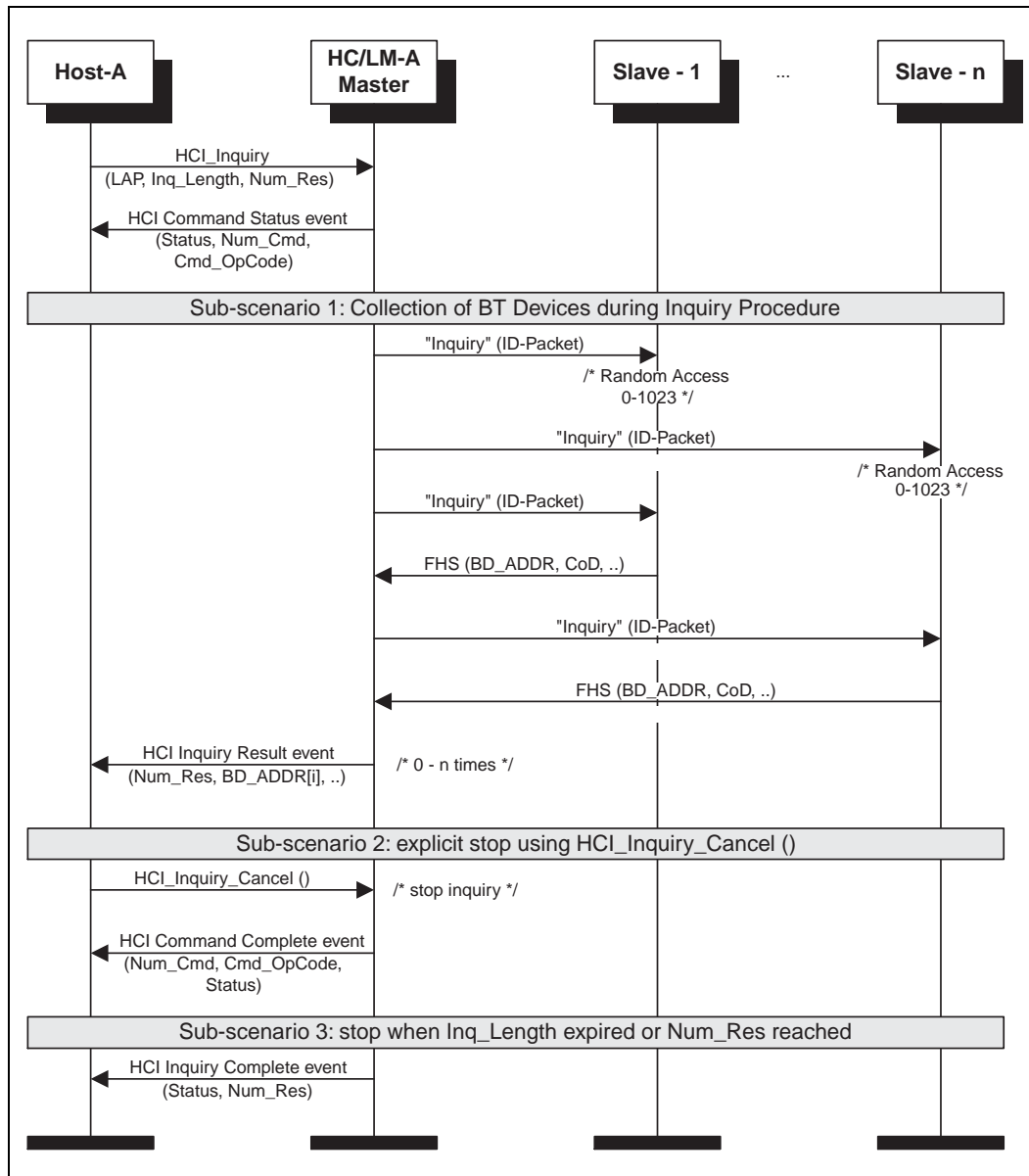


Figure 2.2: One-Time Inquiry

### 2.3 PERIODIC INQUIRY

Periodic inquiry is needed when the inquiry procedure is to be repeated periodically. Receipt of the command `HCI_Periodic_Inquiry_Mode (Max_Period_Length, Min_Period_Length, LAP, Inquiry_Length, Num_Responses)` HC will start the periodic Inquiry Mode with the specified



parameters Max\_Period\_Length, Min\_Period\_Length, Inquiry\_Access\_code (derived from LAP) and Inquiry\_Length. As in the one-time Inquiry procedure, only BT Devices that are specified in the HCI\_Set\_Event\_Filter (Filter\_Type, Filter\_Condition\_Type, Condition) with the Filter\_Type = Inquiry Result will not be filtered out. Therefore, in the inquiry cycle, one or several Inquiry Result events (Num\_Responses, BD\_ADDR[i], Page\_Scan\_Repetition\_Mode[i], Page\_Scan\_Period\_Mode[i], Page\_Scan\_Mode[i], Class\_Of\_Device[i], Clock\_Offset[i]) and Inquiry Complete event (Status, Num\_Responses) will be returned to the Host with one, or a list of, found BT Devices. The periodic Inquiry can be stopped using HCI\_Exit\_Periodic\_Inquiry\_Mode( ).

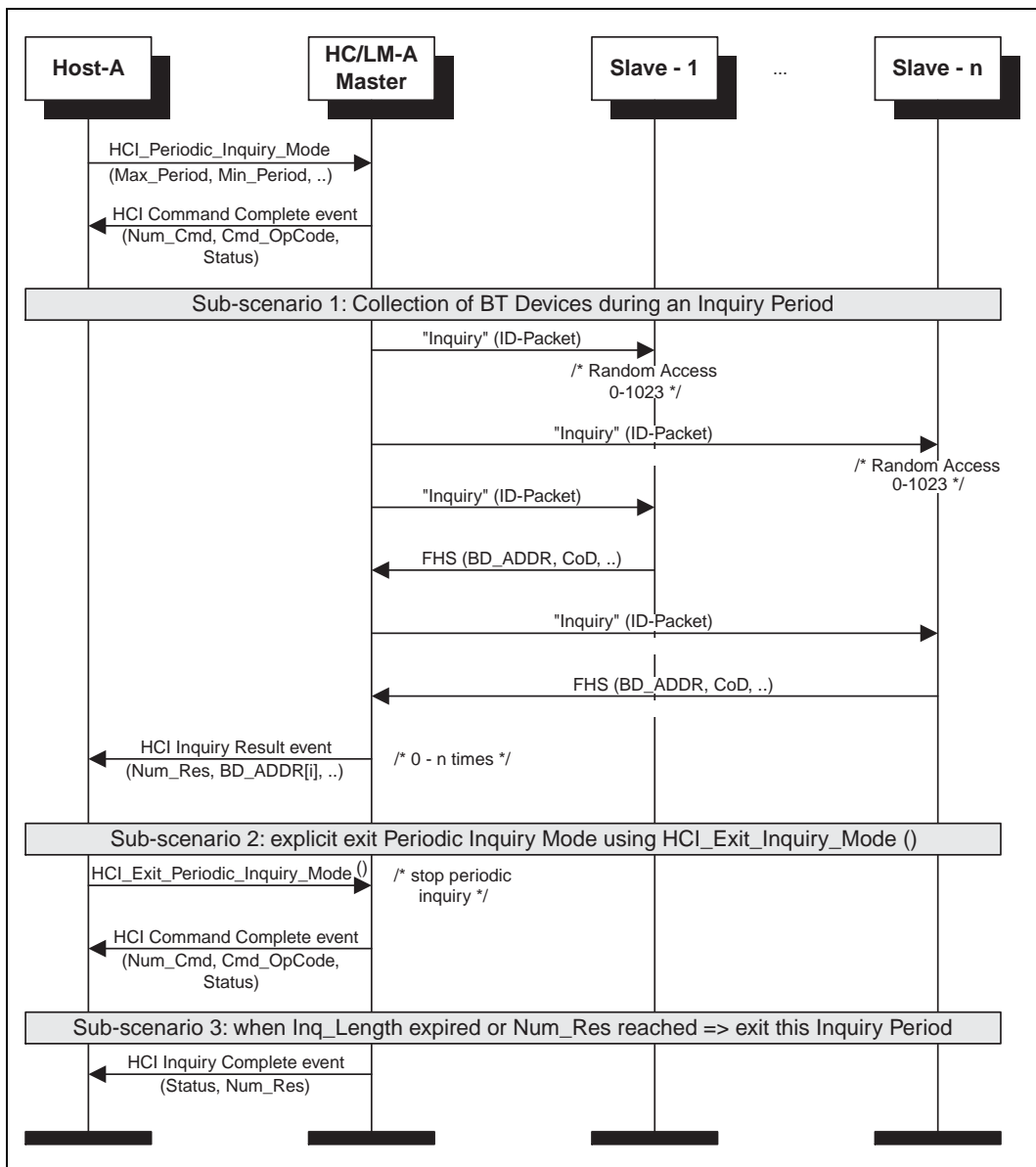


Figure 2.3: Periodic Inquiry

### 3 ACL CONNECTION ESTABLISHMENT AND DETACHMENT

The overview of the ACL Connection establishment and detachment is shown in [Figure 3.1](#) Overview of ACL Connection establishment and detachment.

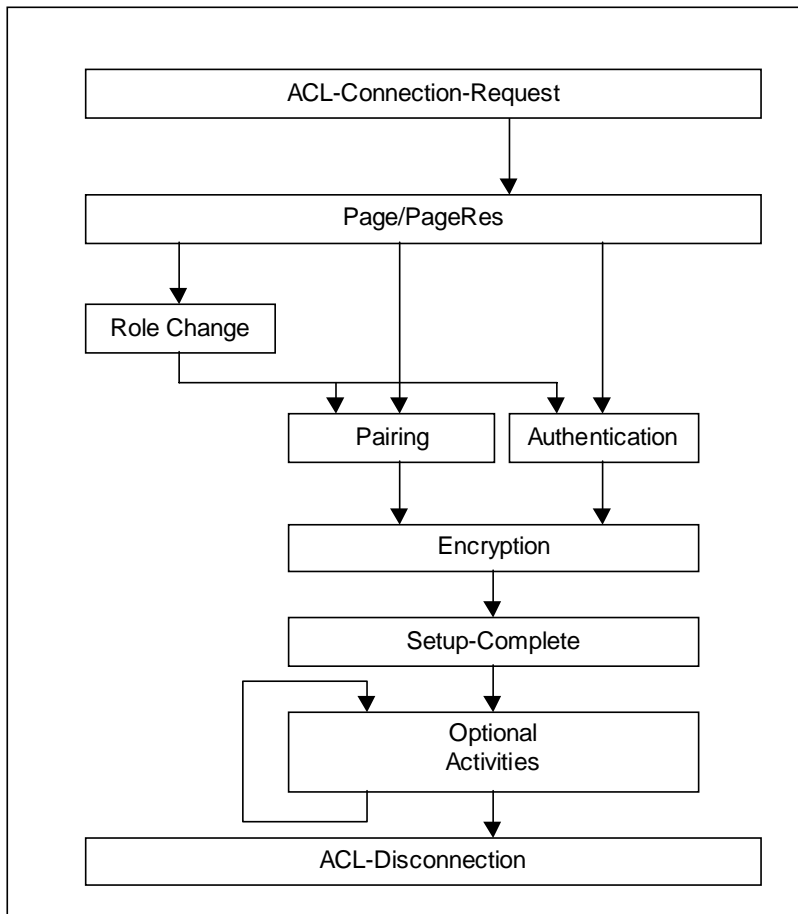


Figure 3.1: Overview of ACL Connection establishment and detachment

### 3.1 ACL CONNECTION REQUEST PHASE

The ACL Connection Request phase is identified between the HCI\_Create\_Connection (BD\_ADDR, Packet\_Type, Page\_Scan\_Repetition\_Mode, Page\_Scan\_Mode, Clock\_Offset, Allow\_Role\_Switch) from the master side and the response from the slave side with rejection or acceptance on the LM level. Three alternative sub-scenarios are shown in [Figure 3.2, “ACL Connection Request phase,” on page 1044.](#)

#### Sub-scenario 1: Slave rejects ACL Connection Request

If the ACL Connection request is rejected by slave, a Connection Complete event (Status, Connection\_Handle, BD\_ADDR, Link\_Type, Encryption\_Mode) will be then returned to Host, whereby the Status will be copied from the Reason parameter of the command HCI\_Reject\_Connection\_Request (Reason, BD\_ADDR). The parameters Connection\_Handle and Encryption\_Mode will be meaningless.

#### Sub-scenario 2: Slave accepts ACL Connection Request

When the slave responds with LMP\_accepted ( ) correspondent to LMP\_host\_connection\_req ( ), the ACL Connection Request is accepted. The master will continue with the ACL Connection Setup, where pairing, authentication or encryption will be executed.

#### Sub-scenario 3: Slave accepts ACL Connection Request with Role Change

This case is identified when the slave sends an LMP\_switch\_req ( ) to initiate Role Change. If the master accepts, the baseband Master-Slave Switch will be executed. Thereafter, the ACL Connection Setup will continue.

Note: on the slave side, an incoming connection request can be automatically accepted by using HCI\_Set\_Event\_Filter (Filter\_Type, Filter\_Condition\_Type, Condition) with the Filter\_Type = 0x02 /\*Connection\_Setup\*/.

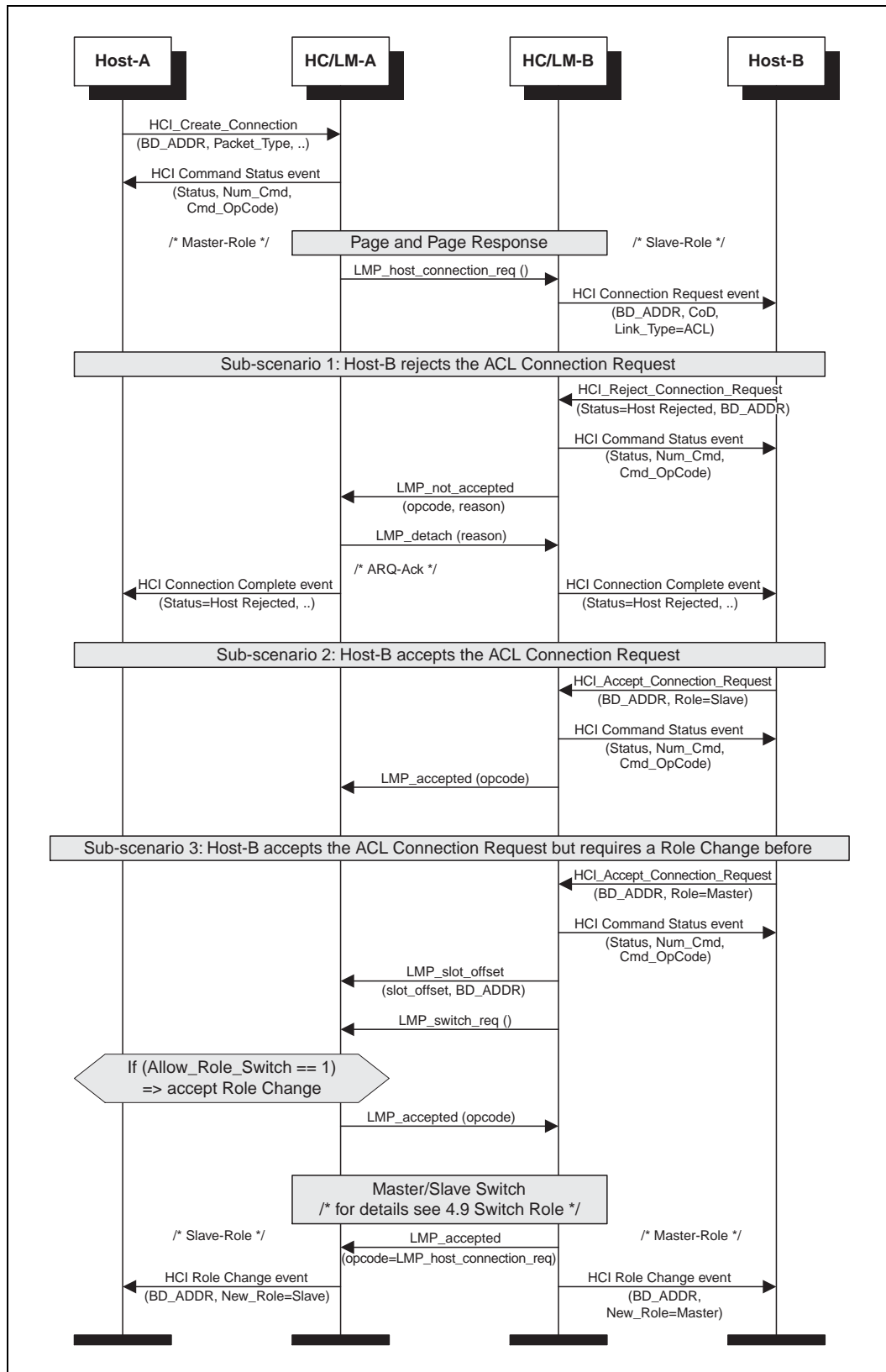


Figure 3.2: ACL Connection Request phase

## **3.2 ACL CONNECTION SETUP PHASE**

If the ACL Connection Request phase was successful, the ACL Connection Setup phase will start, with the goal of executing security procedures like pairing, authentication and encryption. The ACL Connection Setup phase is successfully finished when LMP\_setup\_complete ( ) is exchanged and the Connection Complete event (Status=0x00, Connection\_Handle, BD\_ADDR, Link\_Type, Encryption\_Mode) is sent to the Host.

### **3.2.1 Pairing**

If authentication is required and the BT Devices to be connected don't have a common link key, the pairing procedure on LM Level will be executed using the PIN Input from Host. During the pairing, the authentication- and link key creation procedures will be done. Note: the created Link Key can be stored either in the BT Device or in the Host.

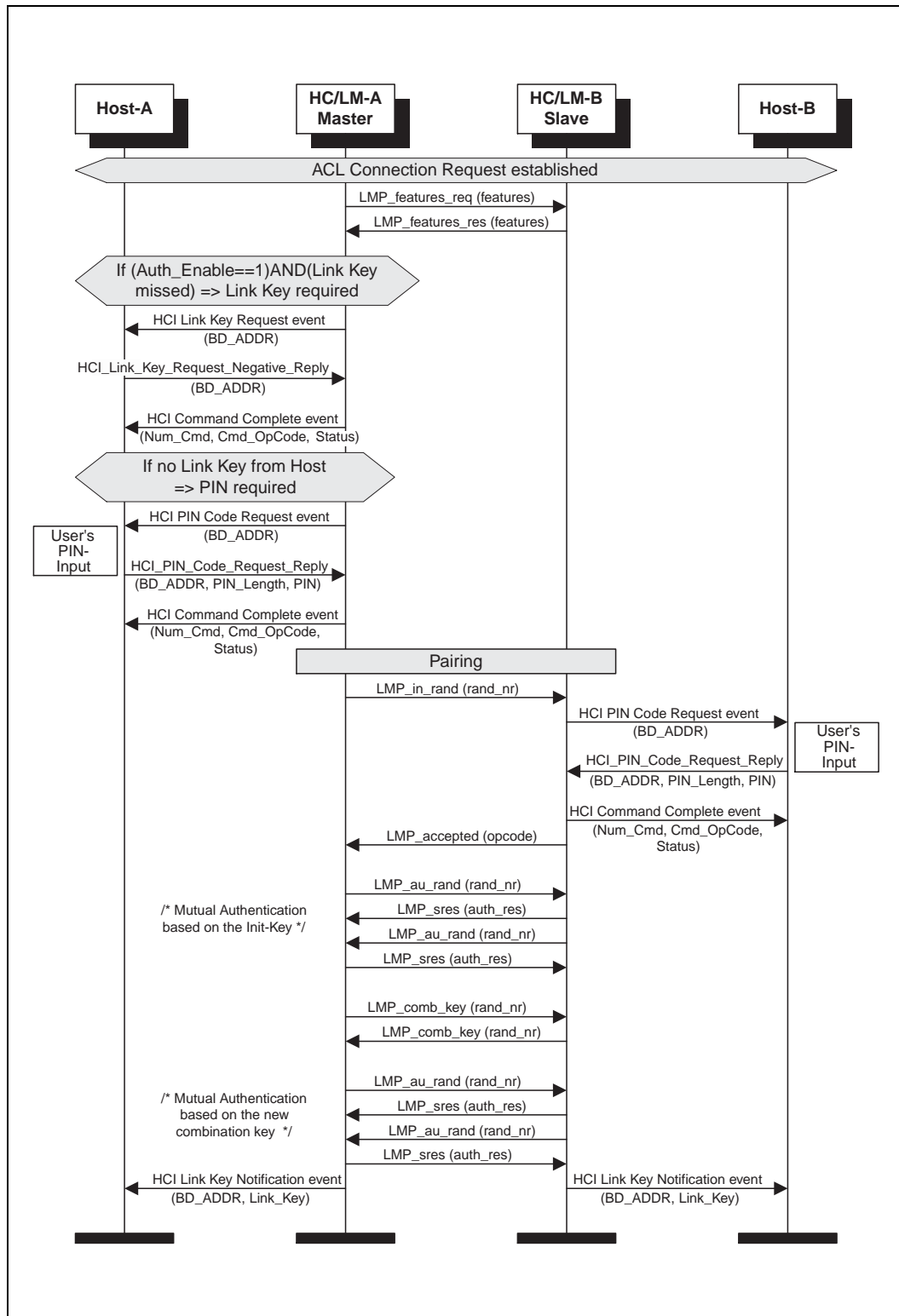


Figure 3.3: ACL Connection setup with pairing

### 3.2.2 Authentication

If a common link key already exists between the BT Devices, pairing is not needed. Note: a Link Key created during pairing can be stored either in the BT Device or in the Host. If the parameter Authentication\_Enable is set, the authentication procedure has to be executed. Here, the MSC only shows the case when Authentication\_Enable is set on both sides.

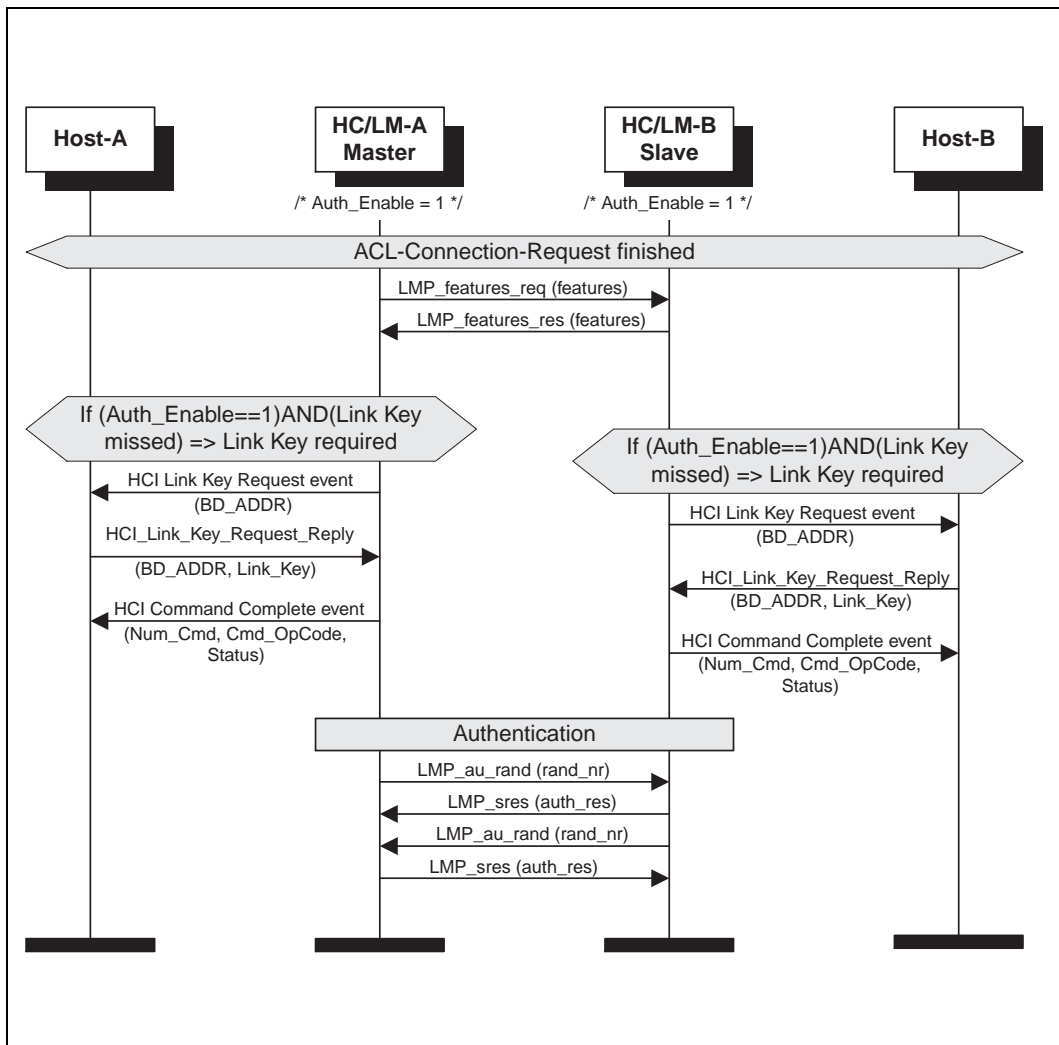


Figure 3.4: ACL Connection setup with authentication

### 3.3 ENCRYPTION AND CONNECTION SETUP COMPLETE

Once the pairing/authentication procedure is successful, the encryption procedure will be started. Here, the MSC only shows how to set up an encrypted point-to-point connection (Encryption\_Mode = 1 /\*point-to-point/). Note: an encrypted connection requires an established common link key.

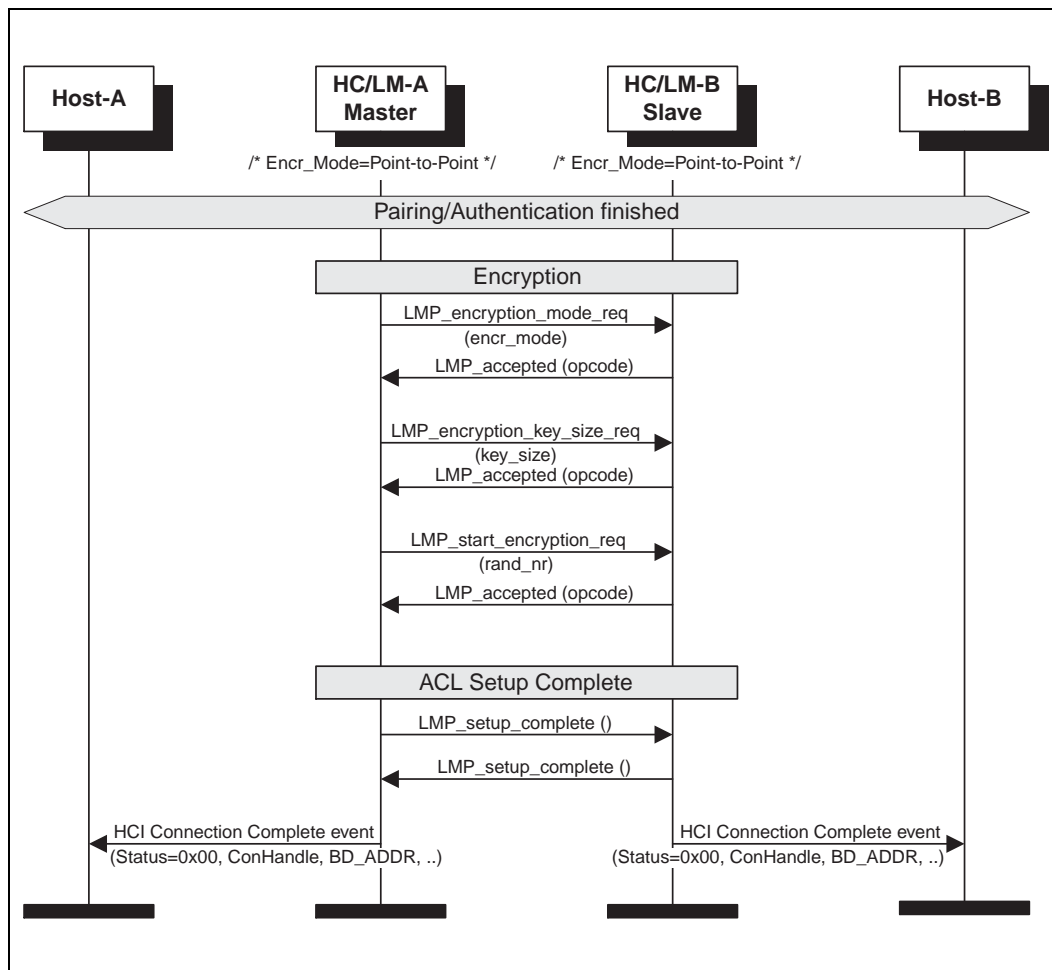


Figure 3.5: Encryption and Setup complete

### 3.4 ACL DISCONNECTION

At any time, an established ACL Connection can be detached by an HCI\_Disconnect (Connection\_Handle, Reason). If one or several SCO Connections exist, they must first be detached before the ACL Connection can be released.

Note: the disconnection procedure is one-sided and doesn't need an explicit acknowledgment from the remote LM. So the ARQ Acknowledgment from the LC is needed, to ensure that the remote LM has received the LMP\_detach (reason).



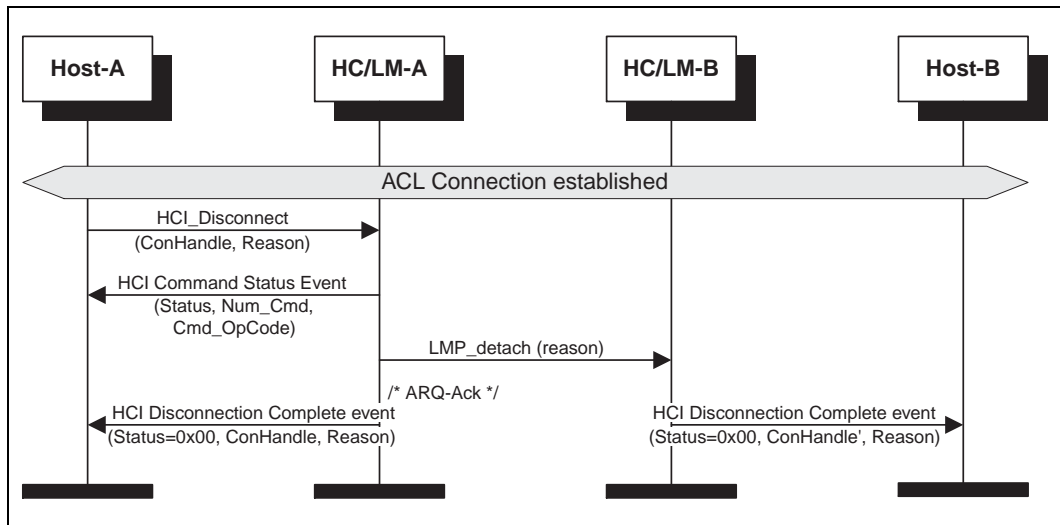


Figure 3.6: ACL Disconnection

## 4 OPTIONAL ACTIVITIES AFTER ACL CONNECTION ESTABLISHMENT

### 4.1 AUTHENTICATION REQUESTED

Authentication can be explicitly executed at any time after an ACL Connection has been established. If the Link Key was missed in HC/LM, the Link Key will be required from the Host, as in the authentication procedure (see 3.2.2).

Note: if the HC/LM and the Host don't have the Link Key a PIN Code Request event will be sent to the Host to request a PIN Code for pairing. A procedure identical to ACL Connection Setup with Pairing (see 3.2.1) will be used.

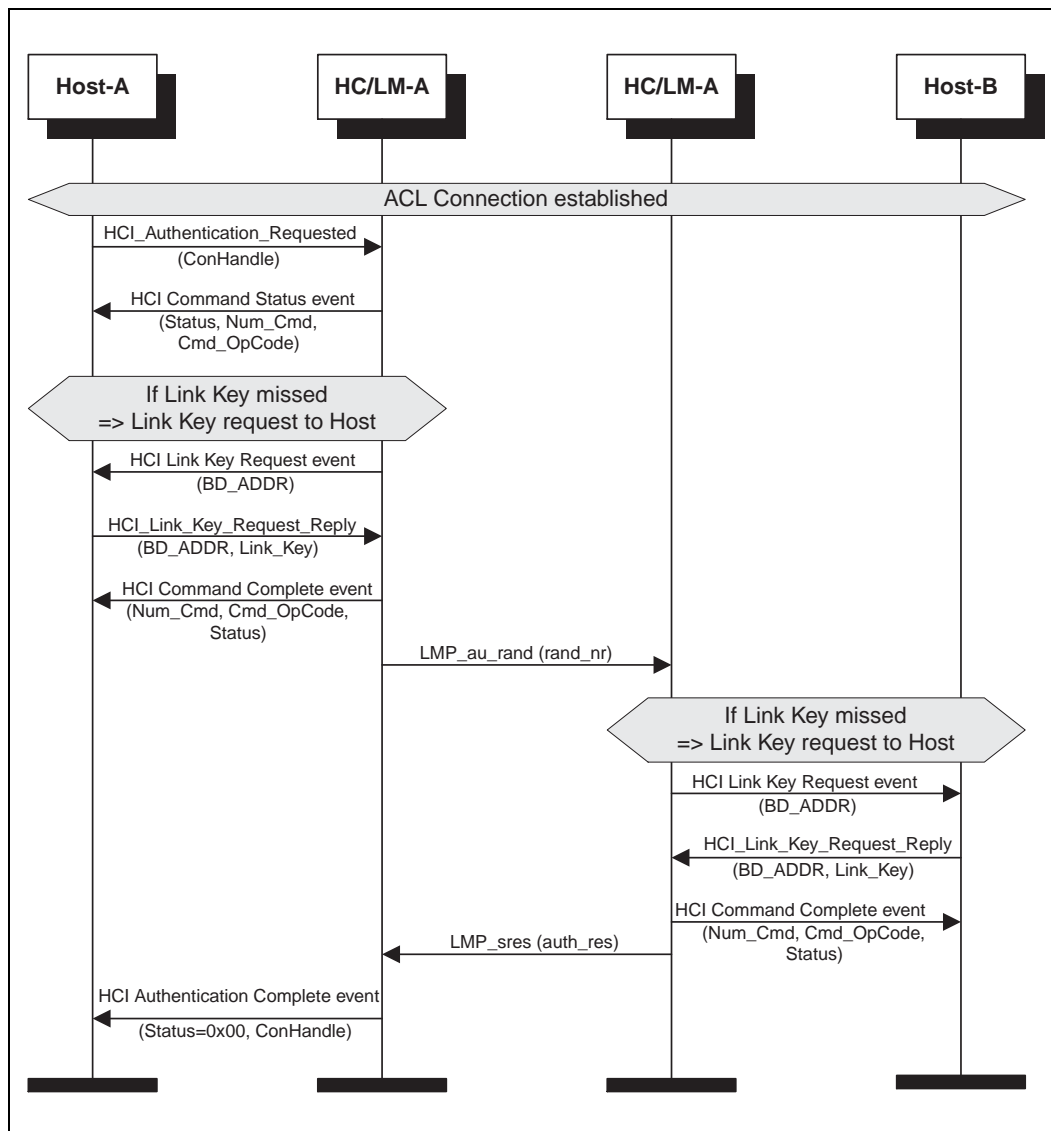


Figure 4.1: Authentication Requested

## 4.2 SET CONNECTION ENCRYPTION

Using the command `HCI_Set_Connection_Encryption` (`Connection_Handle`, `Encryption_Enable`), the Host is able to switch the encryption of a connection with the specified `Connection_Handle` to ON/OFF. This command can be applied on both the master- and slave sides (only the master side is shown in [Figure 4.2](#) Set Connection Encryption). If this command occurs on the slave side, the only difference is that `LMP_encryption_mode_req` (`encryption_mode`) will be sent from the HC/LM Slave. `LMP_encryption_key_size_req` (`key_size`) and `LMP_start_encryption_req` (`rand_nr`) will still be requested from the HC/LM master.

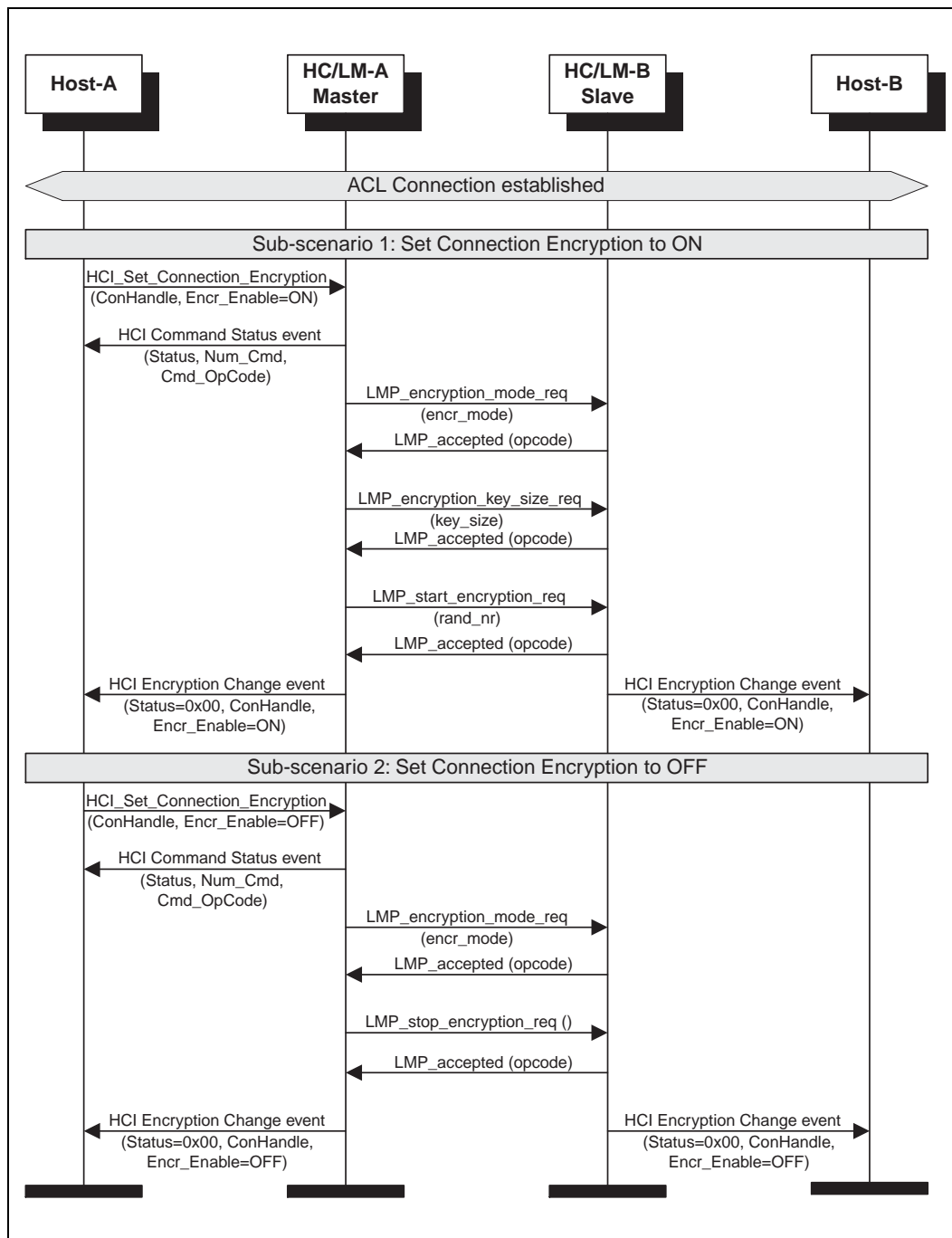


Figure 4.2: Set Connection Encryption

### 4.3 CHANGE CONNECTION LINK KEY

Using the command `HCI_Change_Connection_Link_Key` (Connection\_Handle), the Host can explicitly change the common link key shared between the BT Devices.

Note: if the connection encryption was enabled and the temporary link key was used, it is the task of the BT Master to automatically restart the encryption (first stop and then restart) after the link key is successfully changed.

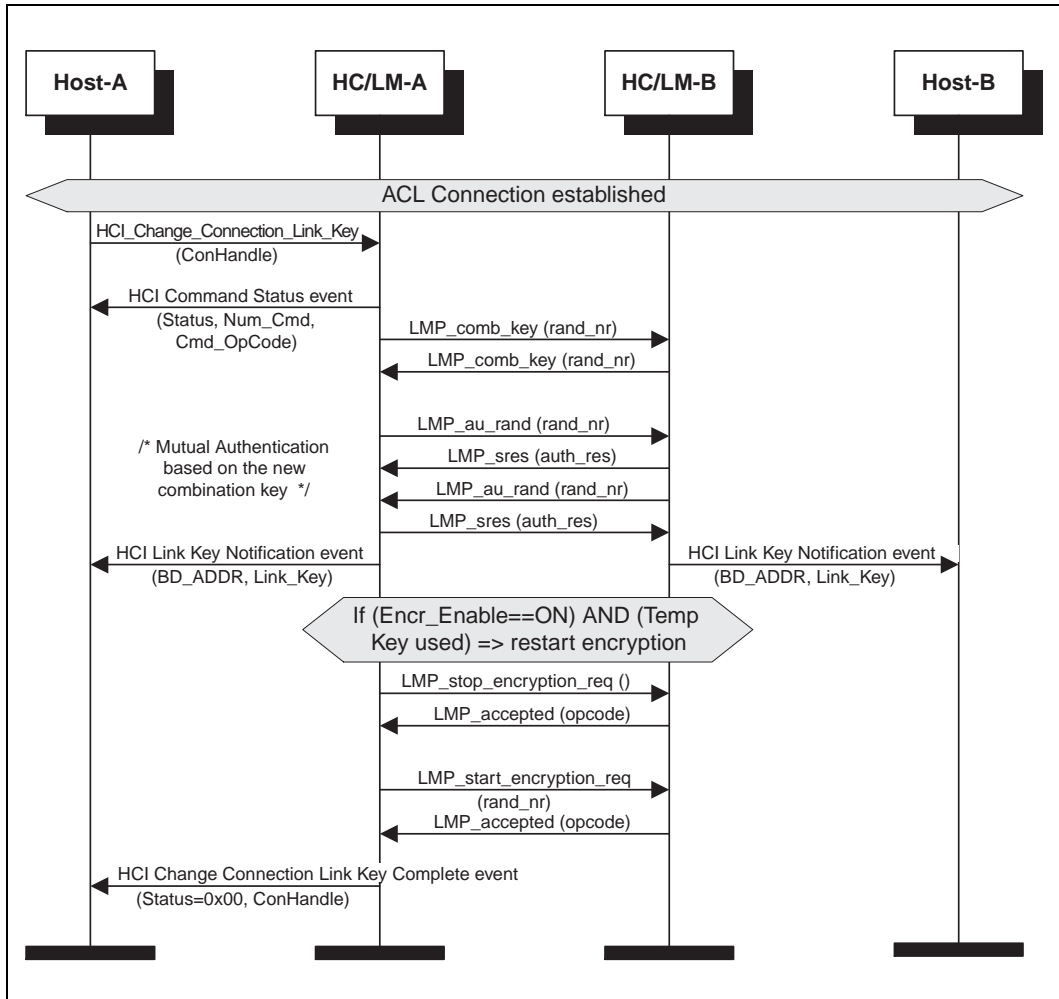


Figure 4.3: Change Connection Link Key

#### 4.4 MASTER LINK KEY

The Figure 4.4 Master Link Key shows how the Host can explicitly switch between the temporary Link Key and the semi-permanent Link Key. Since this command can only be used for the BT Master, the Link Key switch will affect all connections.

Note: if encryption was enabled, it is the task of the BT Master to restart the encryption separately for each slave.

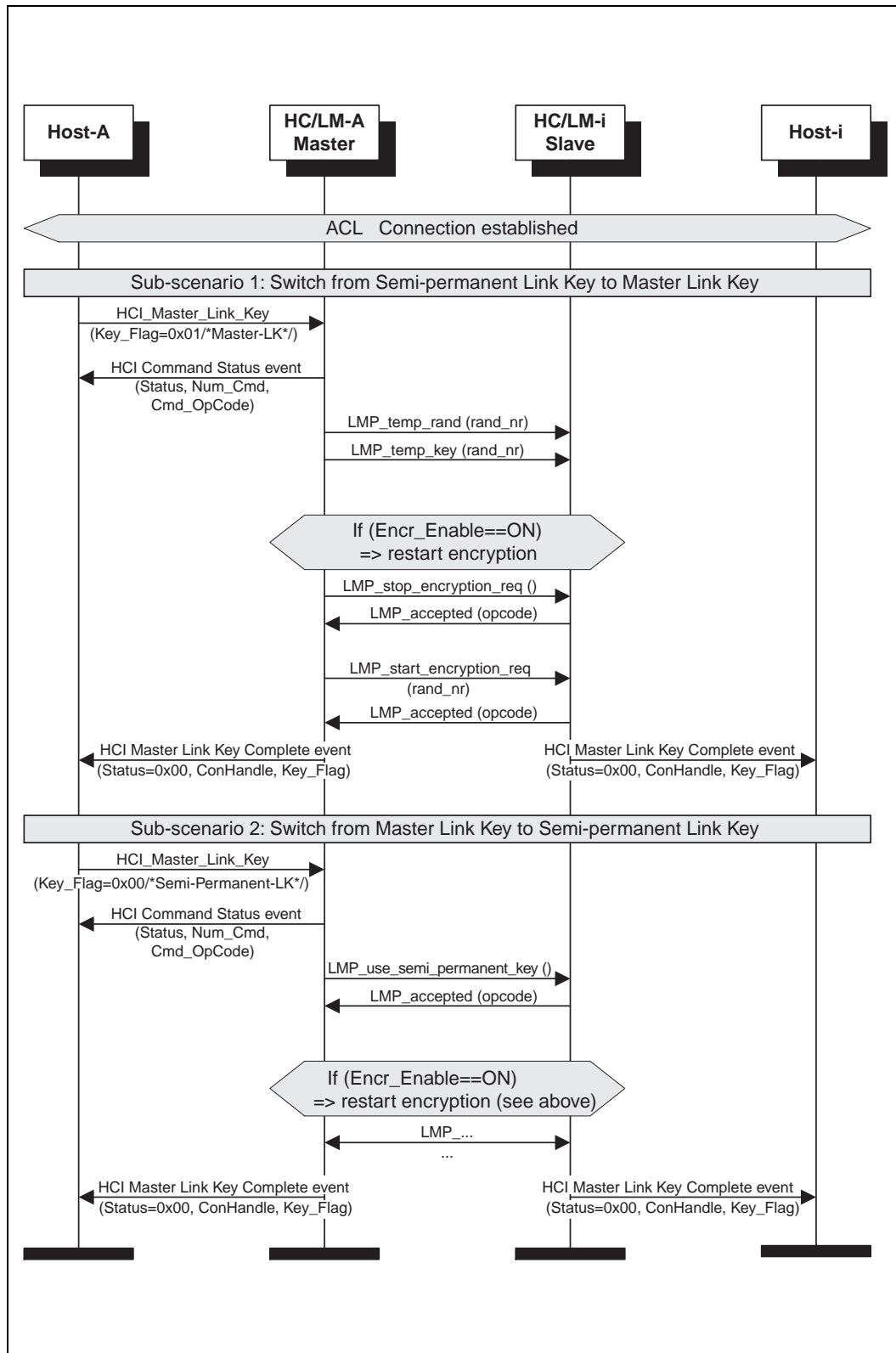


Figure 4.4: Master Link Key

### 4.5 READ REMOTE SUPPORTED FEATURES

Using the command `HCI_Read_Remote_Supported_Features` (`Connection_Handle`) the supported LMP Features of a remote BT Device can be read. These features contain supported packet types, supported modes, supported audio coding modes, etc.

Note: if the LMP Features was exchanged during ACL Connection Setup, the HC/LM A may return the Read Remote Supported Features Complete event (`Status`, `Connection_Handle`, `LMP_Features`) without exchange of LMP PDUs.

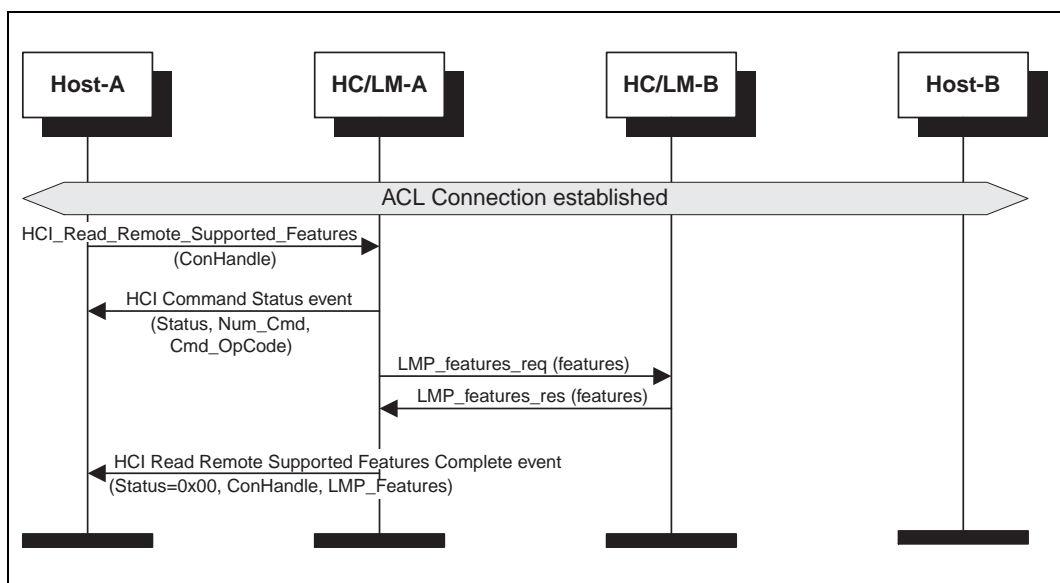


Figure 4.5: Read Remote Supported Features

### 4.6 READ CLOCK OFFSET

Using the command `HCI_Read_Clock_Offset` (`Connection_Handle`) the BT Master can read the Clock Offset of the BT Slaves. The Clock Offset can be used to speed up the paging procedure in a later connection attempt. If the command is requested from the slave device, the HC/LM Slave will directly return a Command Status event and an Read Clock Offset Complete event without exchange of LMP PDUs.

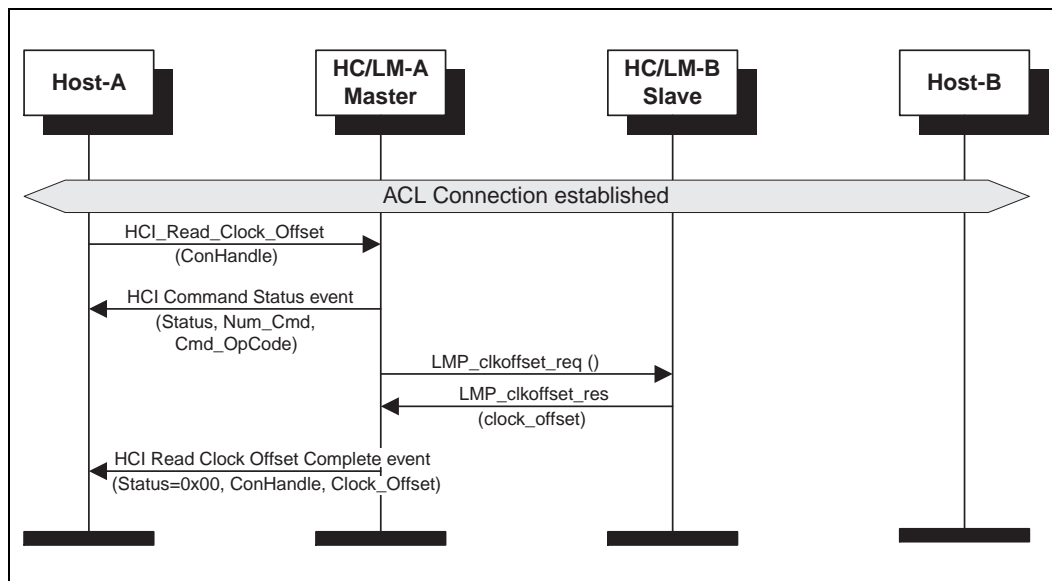


Figure 4.6: Read Clock Offset

### 4.7 READ REMOTE VERSION INFORMATION

Using HCI\_Read\_Remote\_Version\_Information (Connection\_Handle) the version information consisting of LMP\_Version, Manufacturer\_Name and LMP\_Subversion from the remote BT Device can be read.

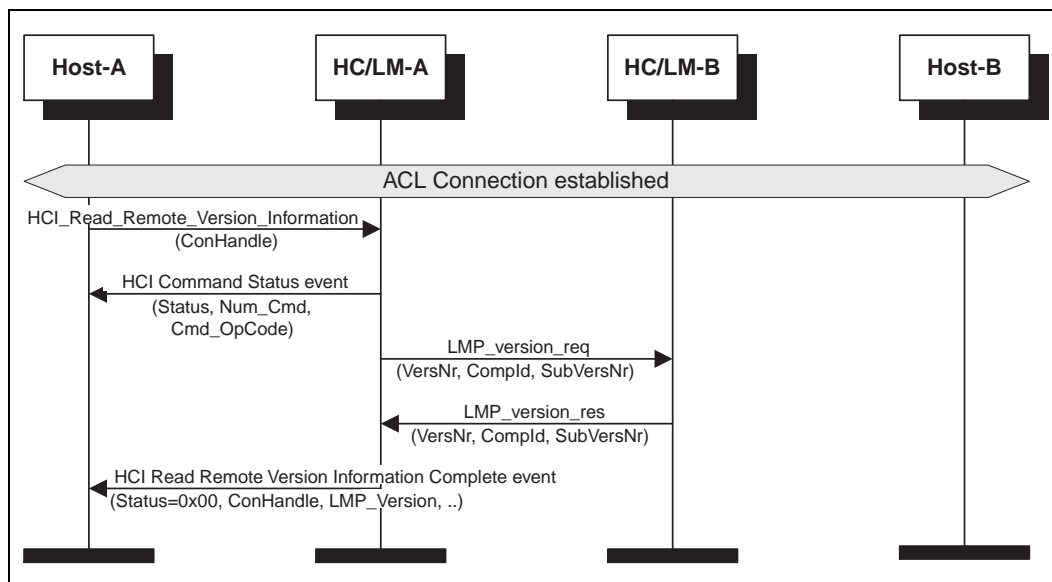


Figure 4.7: Read Remote Version Information



### 4.8 QOS SETUP

To set up the Quality of Service, the command HCI\_QoS\_Setup (Connection\_Handle, Flags, Service\_Type, Token\_Rate, Peak\_Bandwidth, Latency, Delay\_Variation) is used.

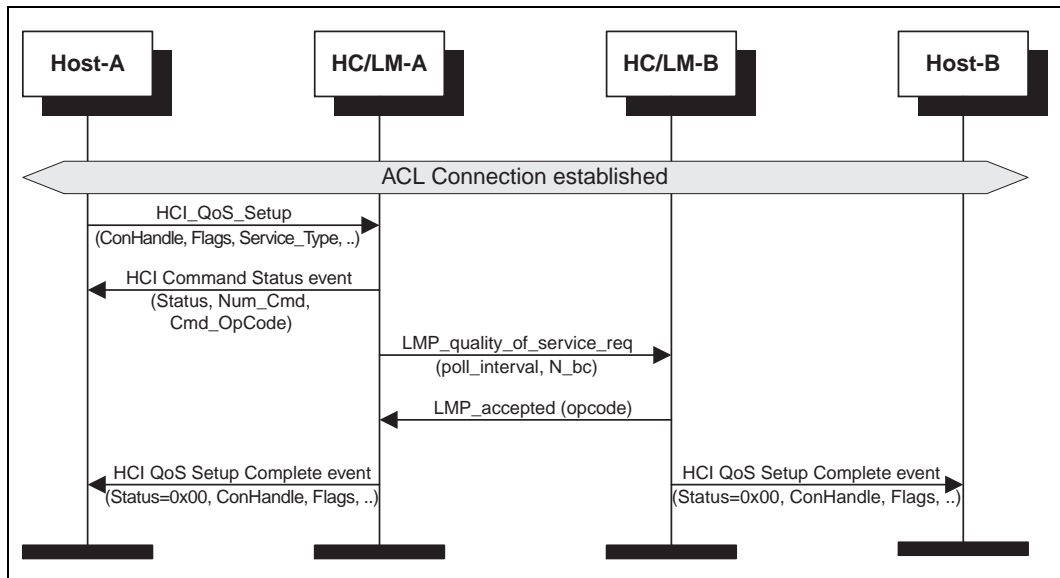


Figure 4.8: QoS Setup

### 4.9 SWITCH ROLE

The command HCI\_Switch\_Role (BD\_ADDR, Role) can be used to explicitly switch the current role of the local BT Device for a particular connection with the specified BT Device (BD\_ADDR). The local HC/LM has to check whether the switch is performed or not.

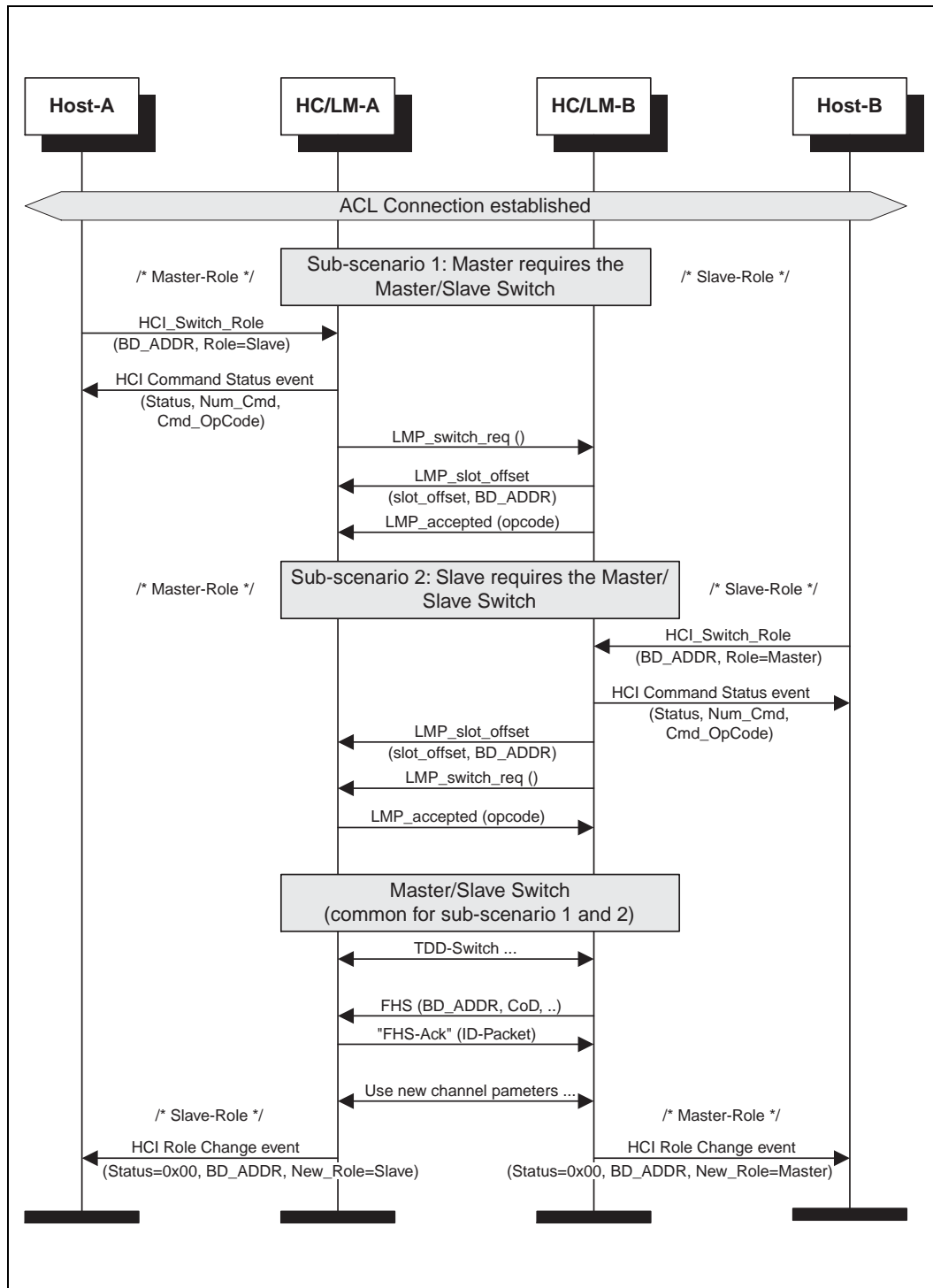


Figure 4.9: Switch Role

## 5 SCO CONNECTION ESTABLISHMENT AND DETACHMENT

### 5.1 SCO CONNECTION SETUP

SCO Connection setup requires an established ACL Connection. It is the task of the Host to create an ACL Connection first and then the SCO Link.

Note: On the slave side, an incoming connection request can be automatically accepted by using `HCI_Set_Event_Filter` (Filter\_Type, Filter\_Condition\_Type, Condition) with the Filter\_Type = 0x02 /\*Connection\_Setup\*/. Furthermore, for each SCO Link to a BT Device, a separate SCO Connection Handle is needed.

#### 5.1.1 Master activates the SCO Connection setup

To set up an SCO Connection, the `HCI_Add_SCO_Connection` (Connection\_Handle, Packet\_Type) command is used. The specified Connection\_Handle is related to the ACL Connection that must have been created before the `HCI_Add_SCO_Connection` is issued.

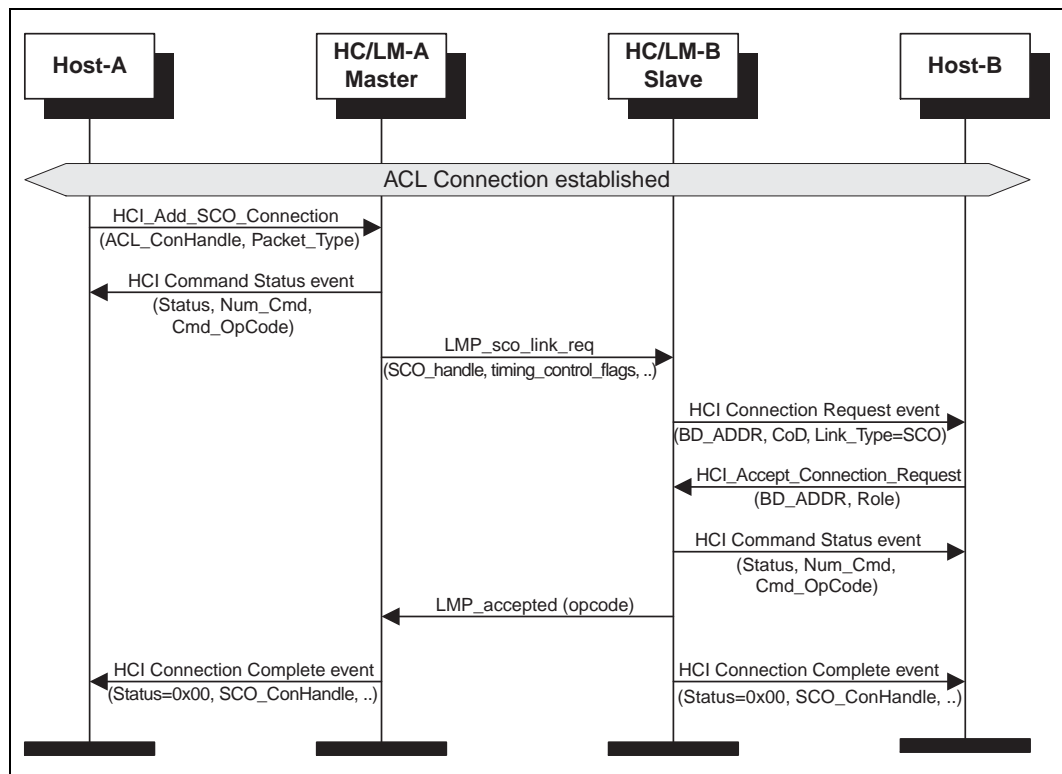


Figure 5.1: SCO Connection setup (activated from master)

### 5.1.2 Slave activates the SCO Connection setup

The same command HCI\_Add\_SCO\_Connection (Connection\_Handle, Packet\_Type) can be used to create an SCO Link when the local BT Device is a BT Slave. Here the specified Connection\_Handle belongs to the established ACL Connection between the BT Devices. Compared to 5.1.1, the only difference is that the HC/LM Slave starts the SCO Setup with LMP\_sco\_link\_req first.

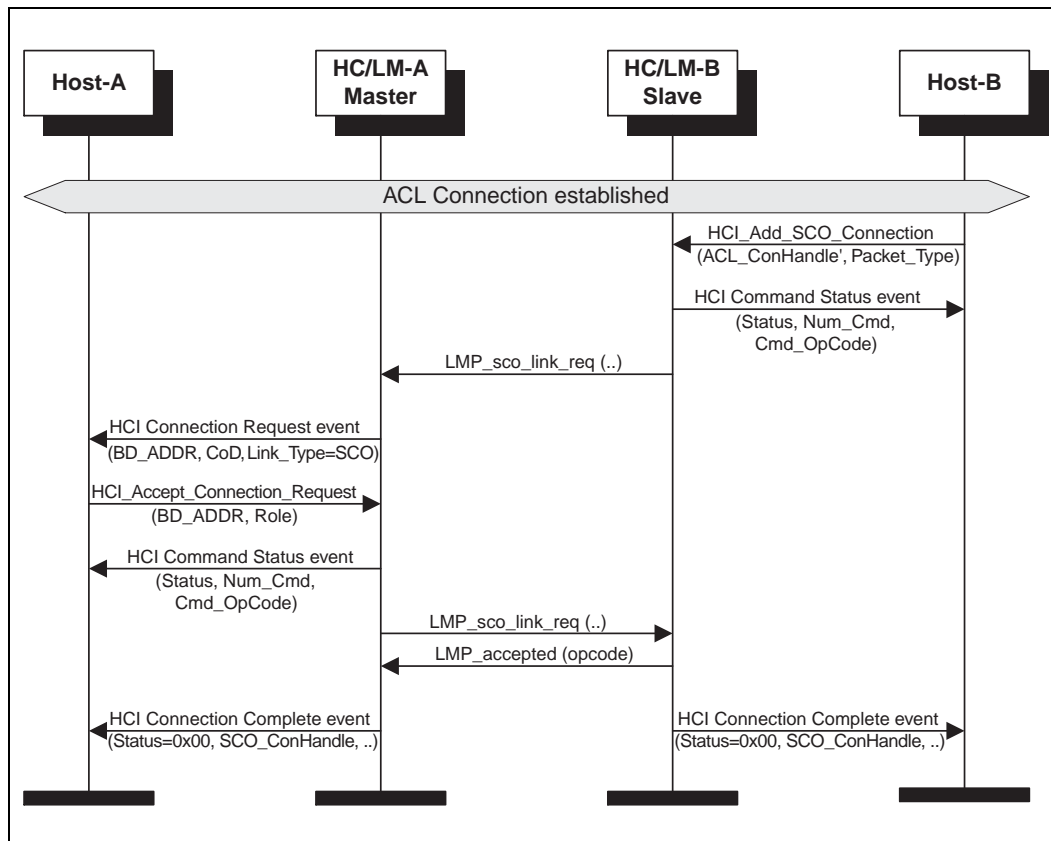


Figure 5.2: SCO Connection setup (activated from slave)

## 5.2 SCO DISCONNECTION

An established SCO Connection can be detached at any time. Since several SCO Connections can exist between a BT Master and a BT Slave, an SCO Disconnection only removes the SCO Link with the specified SCO Connection Handle. The other SCO Connections will still exist.

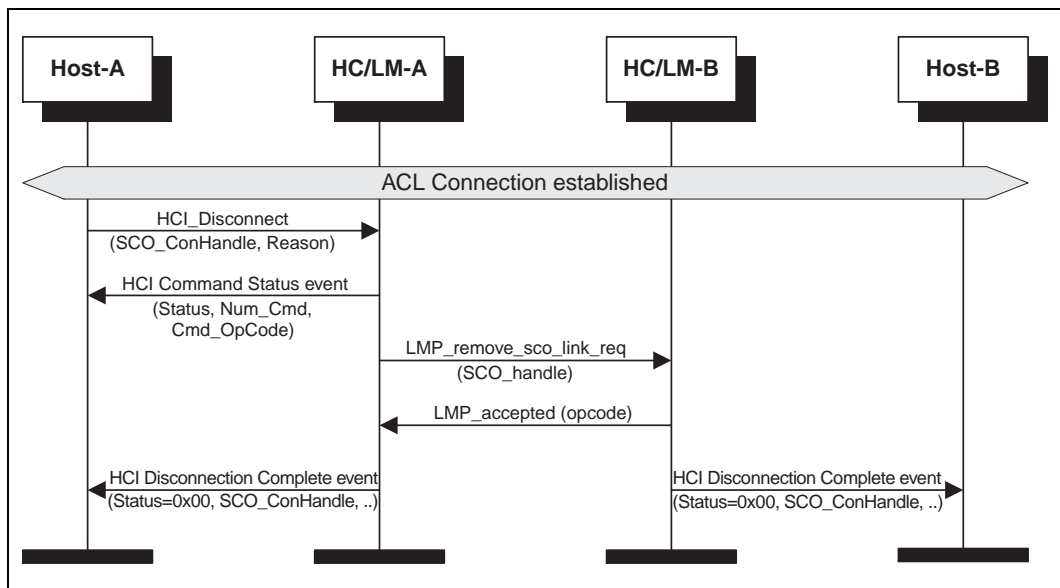


Figure 5.3: SCO Disconnection

## 6 SPECIAL MODES: SNIFF, HOLD, PARK

Entry into sniff, hold or park mode requires an established ACL Connection. The following table summarizes the modes and the BT Role that can request, force, activate or exit the modes.

	Sniff	Hold	Park
<b>Request</b>	Master/Slave	Master/Slave	Master/Slave
<b>Force</b>	Master	Master/Slave	Master
<b>Activation</b>	Master	Master/Slave	Master
<b>Release</b>	Master/Slave	Automatic	Master/Slave

Table 6.1: Summary of modes (Sniff, Hold, Park)

### 6.1 SNIFF MODE

Sniff Mode is used when a slave shall participate in the piconet only in a sniff interval. For the Sniff Mode negotiation, the Host specifies the Sniff\_Max\_Interval and the Sniff\_Min\_Interval so that HC/LM will be able to choose the one sniff interval in this range. The used command is HCI\_Sniff\_Mode (Connection\_Handle, Sniff\_Max\_Interval, Sniff\_Min\_Interval, Sniff\_Attempt, Sniff\_Timeout).

Since Sniff Mode is a periodic mode, the command HCI\_Exit\_Sniff\_Mode (Connection\_Handle) is needed to return to Active Mode.

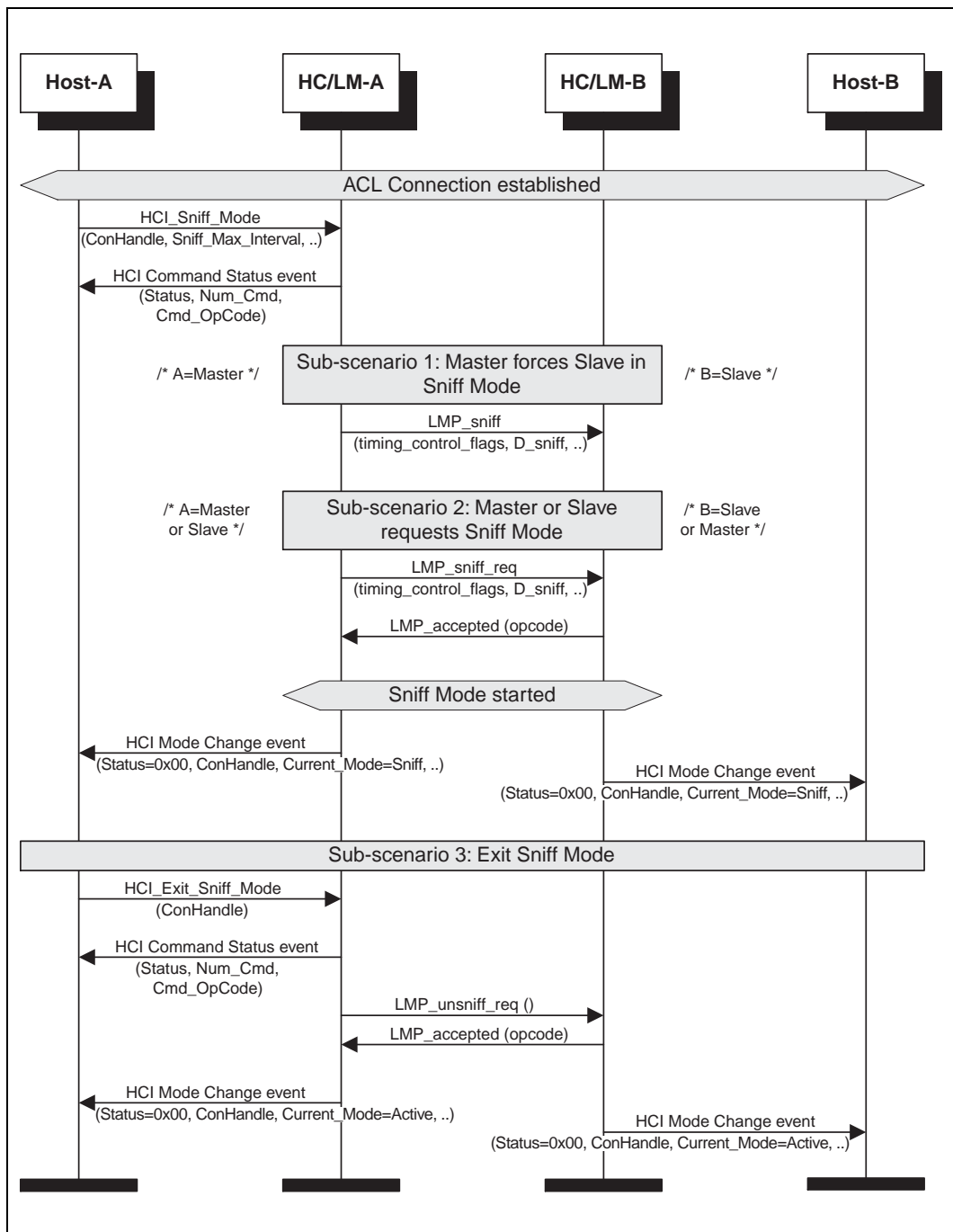


Figure 6.1: Sniff Mode

## 6.2 HOLD MODE

Hold Mode is useful when a BT Device doesn't want to participate in the connection for a Hold Mode Length. Using the command `HCI_Hold_Mode` (Connection\_Handle, Hold\_Max\_Length, Hold\_Min\_Length), the Host specifies the Hold\_Max\_Length and Hold\_Min\_Length. The HC/LM will then be able to negotiate a Hold Mode Length in this range. When the hold mode is started

or complete, Mode Change event (Status, Connection\_Handle, Current\_Mode, Interval) will be used to inform the Host about the actual mode.

Note: the Hold Mode is exited when the Hold Mode Length has expired, so it is no guarantee that the remote BT Device is immediately active.

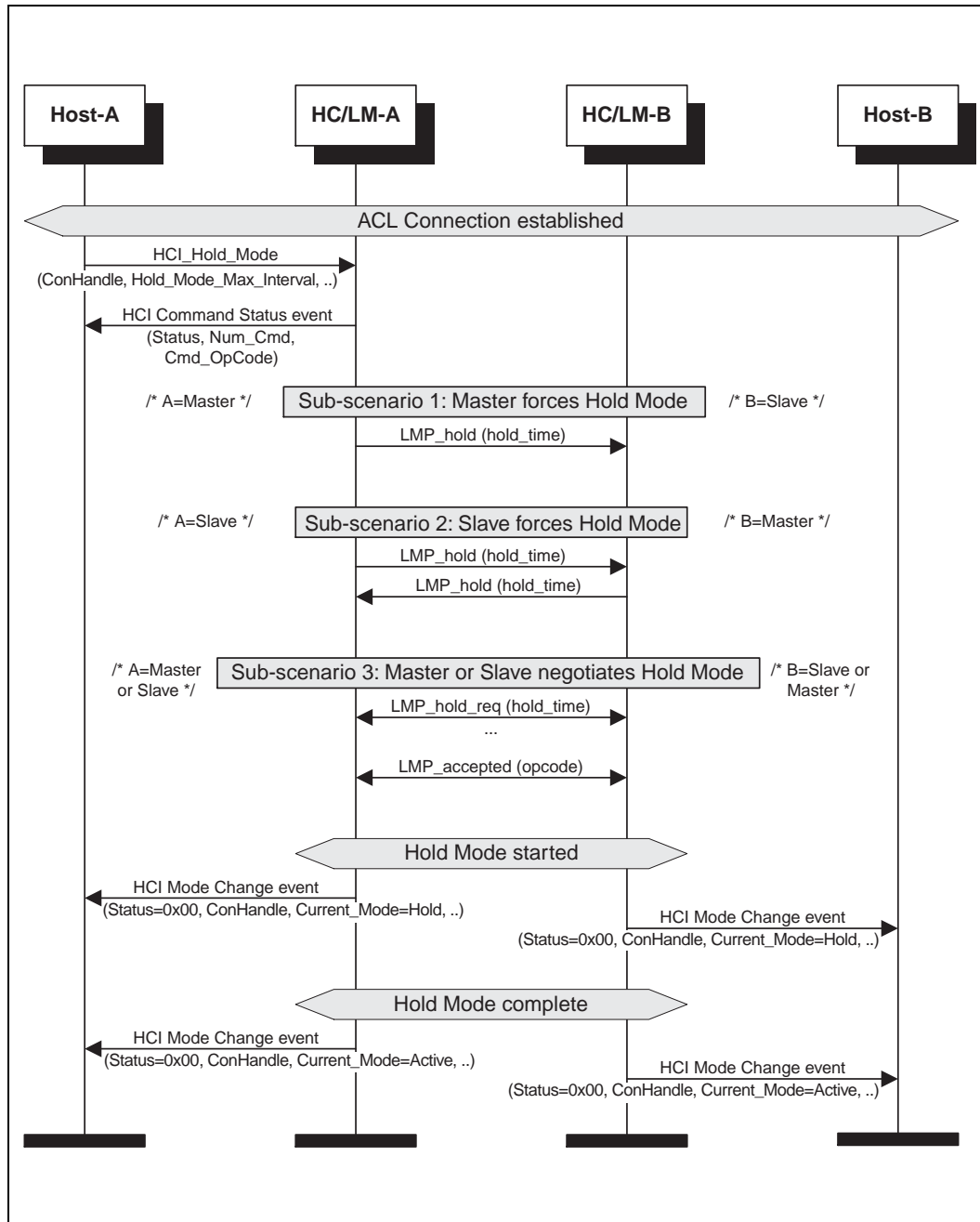


Figure 6.2: Hold Mode



## **6.3 PARK MODE**

Park Mode is used to render the slaves inactive but still synchronized to the master using the beacon interval. In park mode, broadcast is performed.

### **6.3.1 Enter park mode**

Using the command HCI\_Park\_Mode (Connection\_Handle, Beacon\_Max\_Interval, Beacon\_Min\_Interval) the Host specifies the Beacon\_Max\_Interval and Beacon\_Min\_Interval so that HC/LM can set up a Beacon-Interval in this range for the BT Slaves. In Park Mode, the BT Slave gives up its AM\_ADDR.

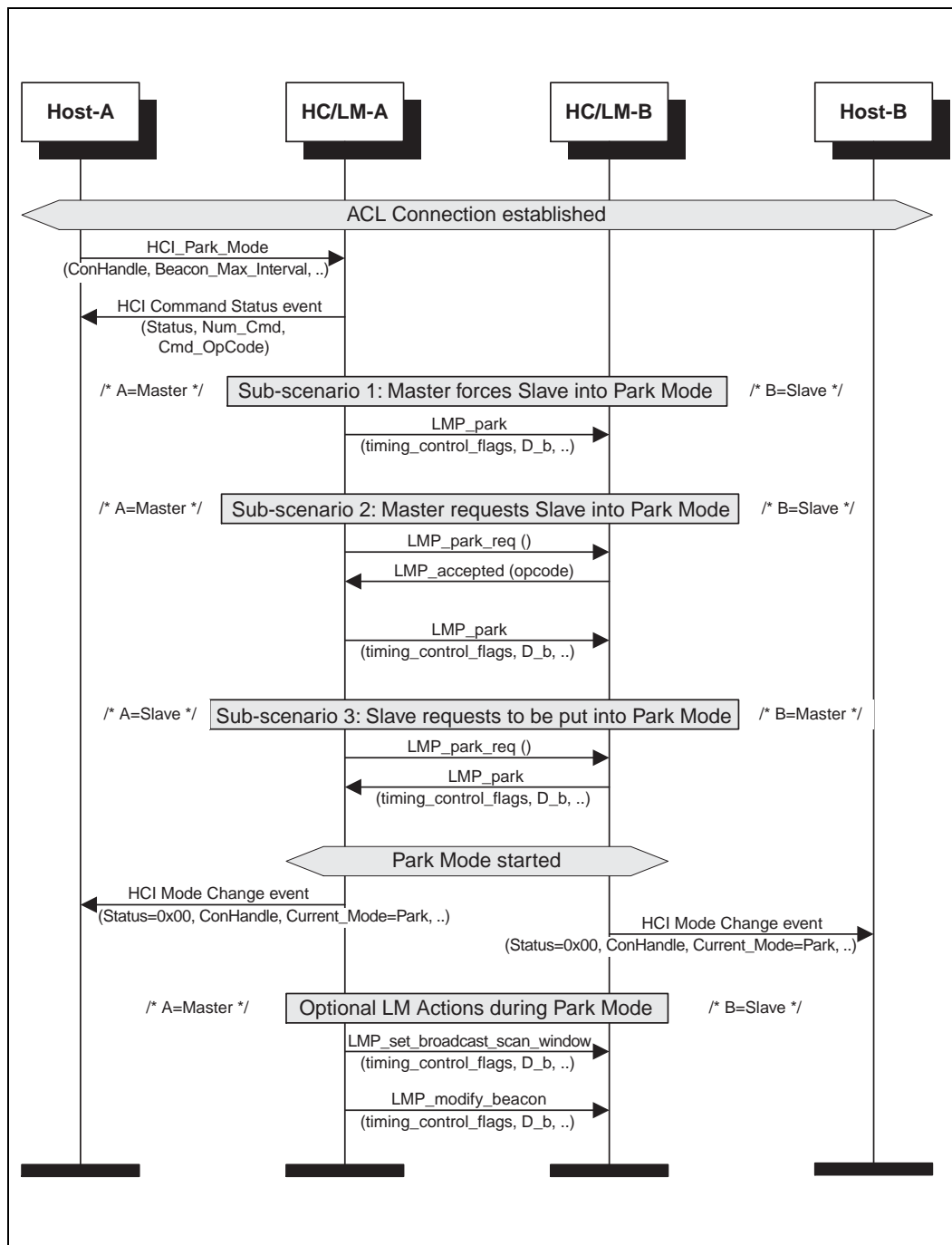


Figure 6.3: Enter Park Mode

### 6.3.2 Exit Park Mode

Since Park Mode is a periodic mode, the command `HCI_Exit_Park_Mode` (Connection\_Handle) will be used to return to Active Mode. A parked BT Slave can send an `Access_Request_Message` to request to leave the Park Mode. It is the task of master HC/LM to use `LMP_unpark_PM_ADDR_req` (..) or `LMP_unpark_BD_ADDR_req` (..) to unpark a BT Slave.

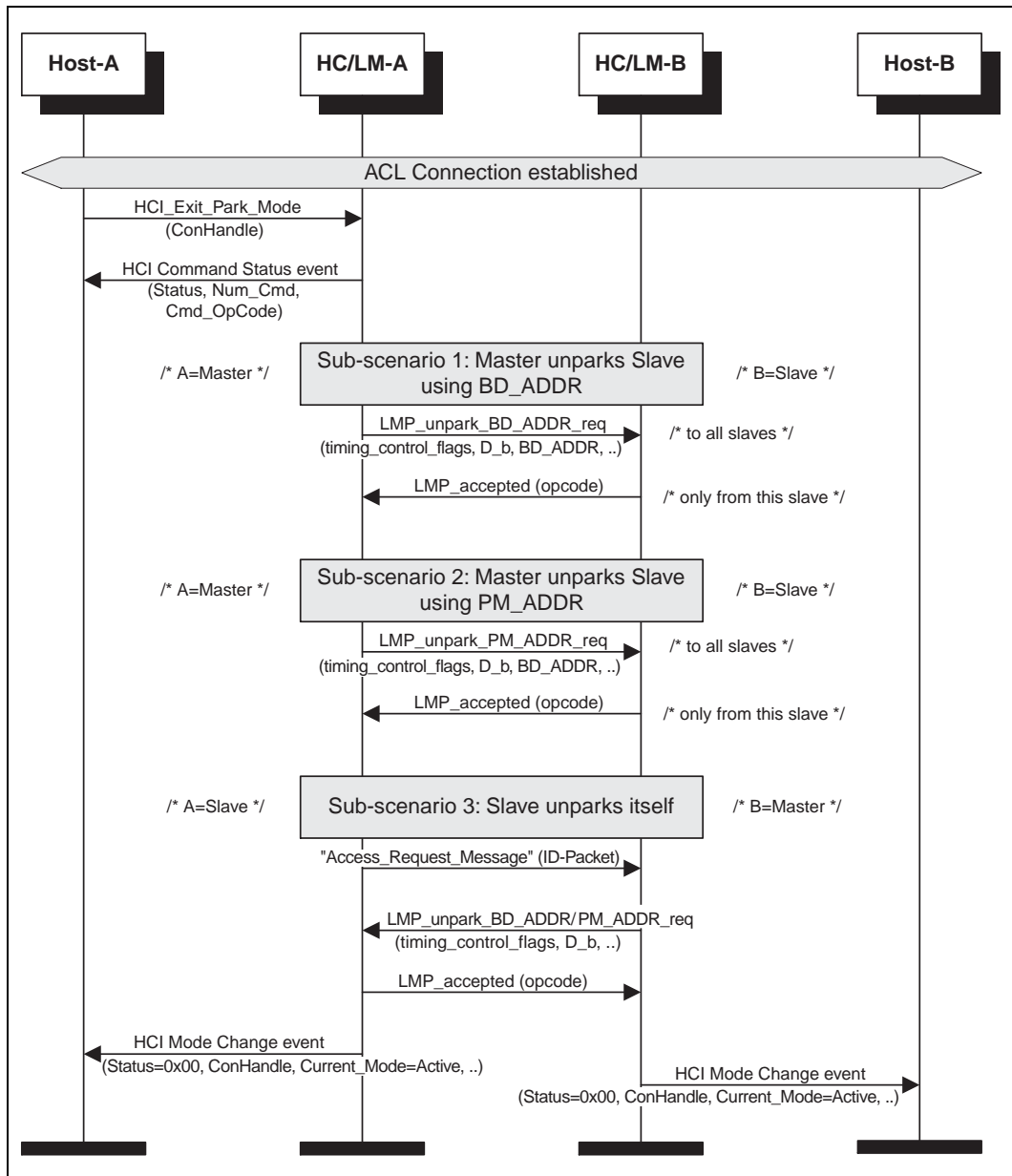


Figure 6.4: Exit Park Mode

## 7 BUFFER MANAGEMENT, FLOW CONTROL

The HC Data buffers are configured by the HC and managed by the Host. On initialization, the Host will issue `HCI_Read_Buffer_Size`. This specifies the maximum allowed length of HCI data packets sent from the Host to the HC, and the maximum number of ACL and SCO data packets that the HC can store in its buffer. After a connection is created, HC will frequently inform the Host about the number of sent packets using Number Of Completed Packets event (`Number_of_Handles`, `Connection_Handle[i]`, `HC_Num_Of_Completed_Packets[i]`) (see [Figure 7.1](#) Host-to-HC flow control).

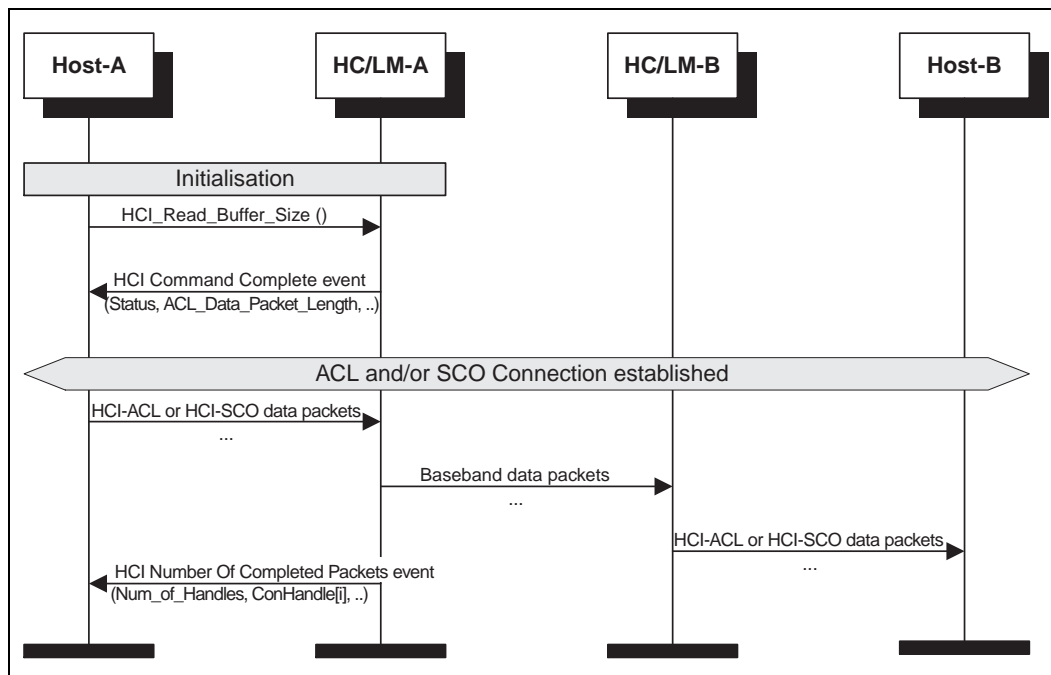


Figure 7.1: Host to HC flow control

Accordingly the HC to Host flow control can be applied in the same way so that during initialization the Host configures the Buffer Size and later the Host Controller will manage the Host Buffers.

Using `HCI_Set_Host_Controller_To_Host_Flow_Control` (`Flow_Control_Enable`) the Host can decide to apply the HC to Host flow control or not. For flow control itself `HCI_Host_Buffer_Size` (`Host_ACL_Data_Packet_Length`, `Host_SCO_Data_Packet_Length`, `Host_Total_Num_ACL_Data_Packets`, `Host_Total_Num_SCO_Data_Packets`) and `HCI_Host_Number_Of_Completed_Packets` (`Number_of_Handles`, `Connection_Handle[i]`, `Host_Num_Of_Completed_Packets[i]`) will be used (for details see [Figure 7.2](#) HC to Host Flow Control).

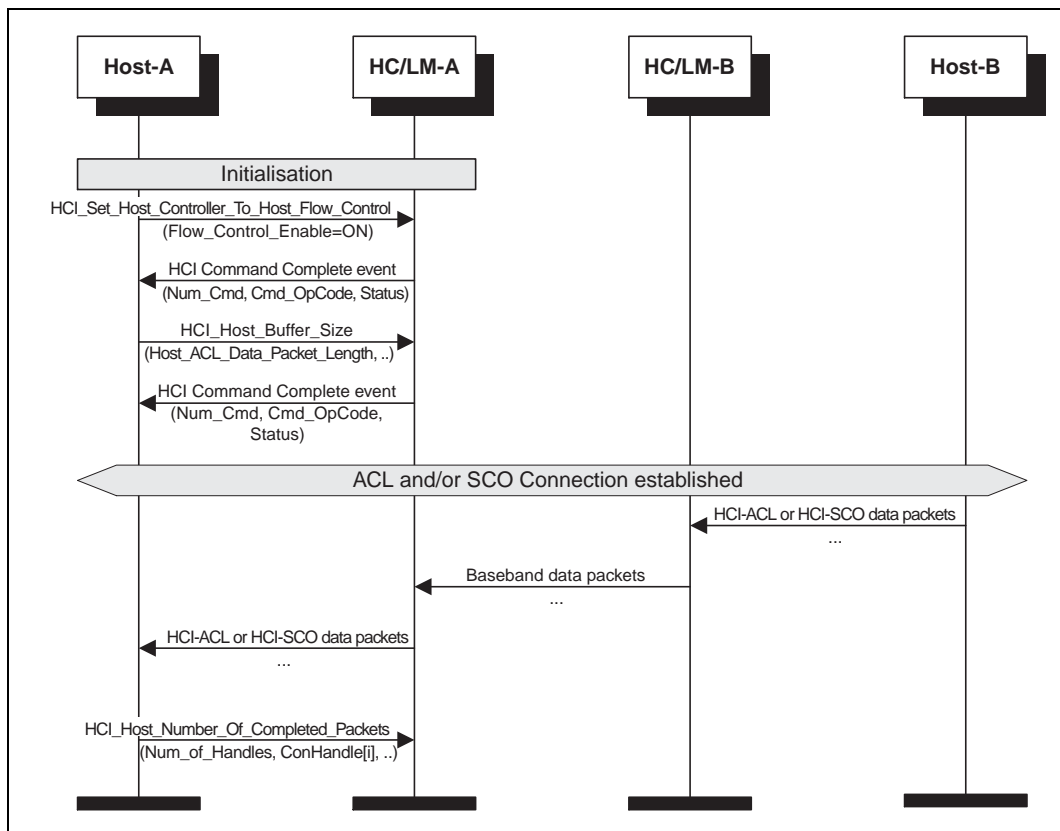


Figure 7.2: HC to Host Flow Control

---

## **8 LOOPBACK MODE**

---

### **8.1 LOCAL LOOPBACK MODE**

The local Loopback Mode is used to loopback received HCI Commands, and HCI ACL and HCI SCO packets sent from the Host.

The HC will send four Connection Complete events (one for ACL, three for SCO Connections) so that the Host can use the Connection\_Handles to re-send HCI ACL and HCI SCO Packet to HC. To exit the local Loopback Mode, HCI\_Write\_Loopback\_Mode (Loopback\_Mode=0x00) or HCI\_Reset ( ) will be used.

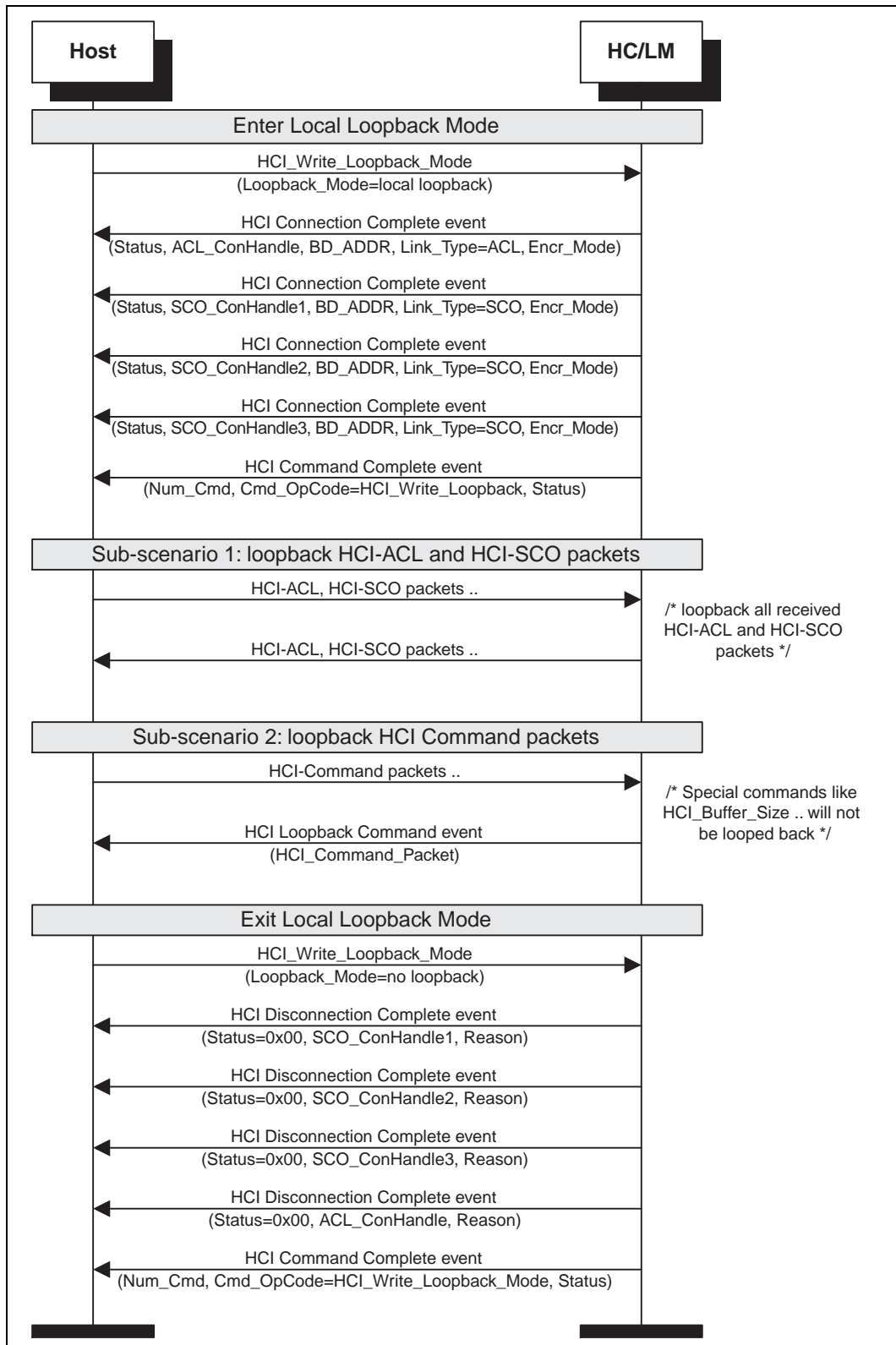


Figure 8.1: Local Loopback Mode

## 8.2 REMOTE LOOPBACK MODE

The remote Loopback Mode is used to loopback all received Baseband ACL and SCO Data received from a remote BT Device. During remote Loopback Mode, ACL and SCO Connection can be created. The remote Loopback Mode can be released with the command HCI\_Write\_Loopback\_Mode (Loopback\_Mode=0x00).

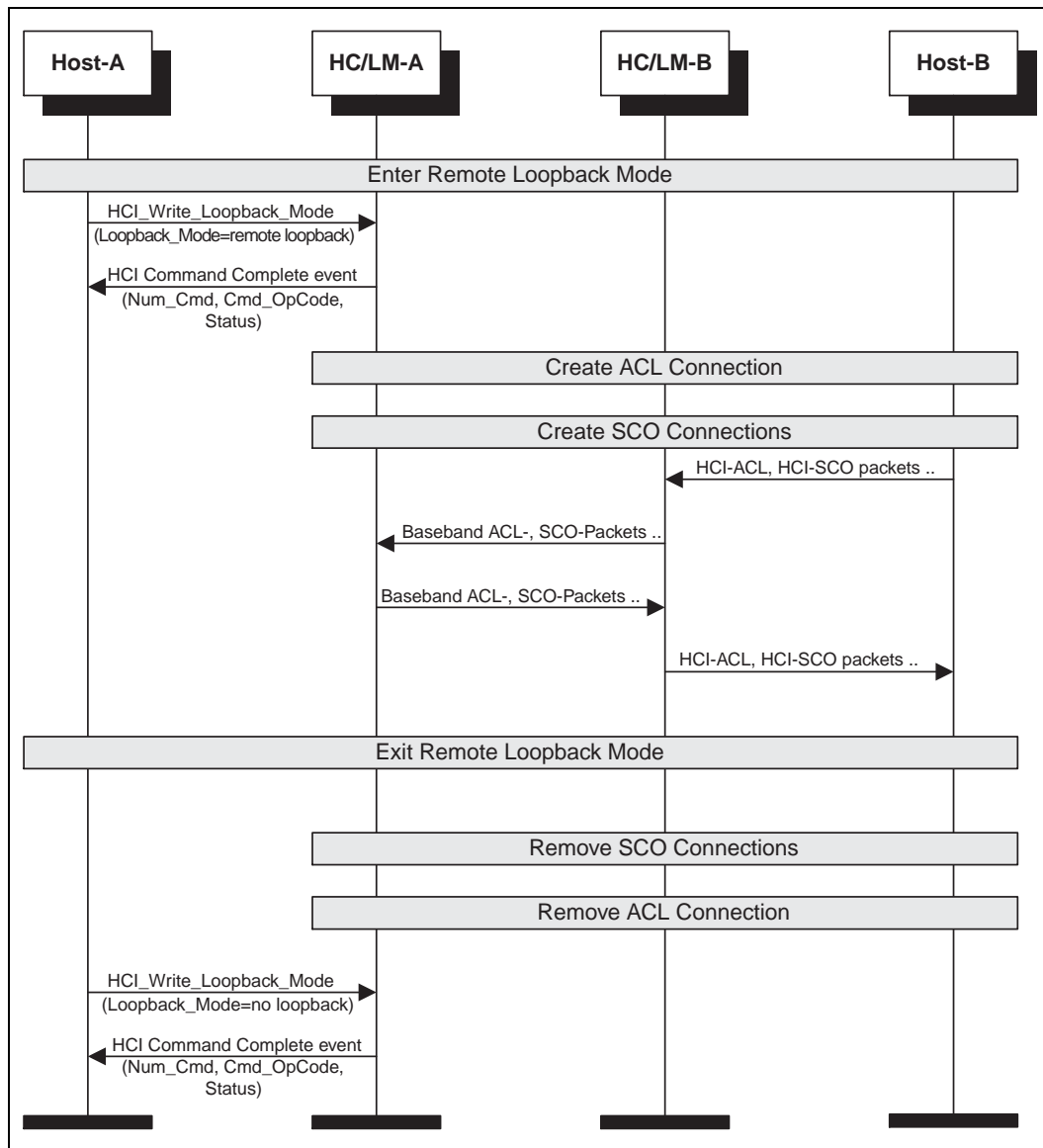


Figure 8.2: Remote Loopback Mode



## 9 LIST OF ACRONYMS AND ABBREVIATIONS

---

<b>BT</b>	<b>Bluetooth</b>
HC	Host Controller
HCI	Host Controller Interface
LAP	Lower Address Part
LC	Link Controller
LM	Link Manager
LMP	Link Manager Protocol
MSC	Message Sequence Chart
PDU	Protocol Data Unit

**10 LIST OF FIGURES**

Figure 2.1:	Remote Name Request .....	1039
Figure 2.2:	One-Time Inquiry .....	1040
Figure 2.3:	Periodic Inquiry .....	1041
Figure 3.1:	Overview of ACL Connection establishment and detachment .....	1042
Figure 3.2:	ACL Connection Request phase .....	1044
Figure 3.3:	ACL Connection setup with pairing.....	1046
Figure 3.4:	ACL Connection setup with authentication .....	1047
Figure 3.5:	Encryption and Setup complete .....	1048
Figure 3.6:	ACL Disconnection .....	1049
Figure 4.1:	Authentication Requested.....	1050
Figure 4.2:	Set Connection Encryption .....	1052
Figure 4.3:	Change Connection Link Key .....	1053
Figure 4.4:	Master Link Key .....	1054
Figure 4.5:	Read Remote Supported Features.....	1055
Figure 4.6:	Read Clock Offset.....	1056
Figure 4.7:	Read Remote Version Information.....	1056
Figure 4.8:	QoS Setup .....	1057
Figure 4.9:	Switch Role .....	1058
Figure 5.1:	SCO Connection setup (activated from master) .....	1059
Figure 5.2:	SCO Connection setup (activated from slave).....	1060
Figure 5.3:	SCO Disconnection .....	1061
Figure 6.1:	Sniff Mode.....	1063
Figure 6.2:	Hold Mode .....	1064
Figure 6.3:	Enter Park Mode .....	1066
Figure 6.4:	Exit Park Mode .....	1067
Figure 7.1:	Host to HC flow control .....	1068
Figure 7.2:	HC to Host Flow Control .....	1069
Figure 8.1:	Local Loopback Mode.....	1071
Figure 8.2:	Remote Loopback Mode.....	1072

---

# 11 LIST OF TABLES

---

Table 6.1: Summary of modes (Sniff, Hold, Park).....1062

---

## 12 REFERENCES

---

- [1] [“Baseband Specification” on page 33](#)
- [2] [“Link Manager Protocol” on page 185](#)
- [3] [“Host Controller Interface Functional Specification” on page 517](#)
- [4] [“Logical Link Control and Adaptation Protocol Specification” on page 245](#)

## Alphabetical Index

---

### Numerics

0x7E [H:3] 784

### A

Abort- [F:2] 420  
ACCESS RIGHTS ACCEPT [F:3] 451  
ACCESS RIGHTS REJECT [F:3] 451  
ACCESS RIGHTS REQUEST [F:3] 451  
Ack Code [H:3] 781  
Ack code [H:3] 780  
Acknowledgement Timer (T1) [F:1] 400  
ALERTING [F:3] 442  
asynchronous notifications [F:4] 508  
AT+CMUX [F:1] 399  
authentication [C] 194

### B

basic option [F:1] 396, [F:1] 398  
Baud Rate [H:3] 781  
baud rate [F:1] 391, [H:3] 780  
beacon [C] 211  
beginning delimiter [H:3] 785  
Bluetooth [F:2] 414  
BOF(0x7E) [H:3] 786  
Briefcase Trick [F:4] 500  
business card [F:2] 415  
byte ordering [F:1] 390  
byte stream [F:2] 421

### C

Call Control [F:3] 435  
CALL PROCEEDING [F:3] 441  
Calling Line Identity [F:3] 456  
checksum [H:3] 785  
CL INFO [F:3] 455  
claimant [C] 194  
clock offset [C] 202  
COBS [H:3] 784, [H:3] 785, [H:3] 787  
COBS code block [H:3] 787  
COBS code byte [H:3] 787  
combination key [C] 197  
commands in TS 07.10 [F:1] 396  
Configuration distribution [F:3] 449  
CONNECT [F:3] 442  
Connect-request [F:2] 418  
Consistent Overhead Byte Stuffing [H:3] 785

control channel [F:1] 396  
convergence layer [F:1] 397  
CRC [H:3] 782  
CRC-CCITT [H:3] 785, [H:3] 786  
CTS [H:3] 788  
current link key [C] 198

### D

Data Link Connection Identifier [F:1] 393  
data throughput [F:1] 391  
DCE [F:1] 391  
default URL [F:4] 509  
delayed loopback [I:1] 812  
Delimiter [H:3] 782  
delimiter 0x7E [H:3] 785  
delimiter, 0x7E [H:3] 784  
direction bit [F:1] 400  
DISC command [F:1] 400, [F:1] 401  
DISC command frame [F:1] 399  
DISCONNECT [F:3] 446  
Disconnect-request [F:2] 419  
DNS [F:4] 503  
drift [C] 203  
DTE [F:1] 391, [F:1] 399  
DTMF ACKNOWLEDGE [F:3] 457  
DTMF start & stop [F:3] 456  
DTR/DSR [F:1] 403

### E

EIATIA-232-E [F:1] 389, [F:1] 391  
eliminating zeros [H:3] 785  
emergency call [F:3] 479  
emulated ports [F:1] 393  
encryption [C] 199  
ending delimiter [H:3] 785  
EOF(0x7E) [H:3] 786  
Error detection [H:3] 780  
error message packet [H:3] 785, [H:3] 789  
Error Message Packet (0x05) [H:3] 779  
error packet [H:3] 788  
Error Recovery [H:3] 783  
error recovery [H:3] 780, [H:3] 784  
error recovery procedure [H:3] 785, [H:3] 788  
Error Type [H:3] 786, [H:3] 789  
ETSI TS 07.10 [F:2] 421  
external call [F:3] 479

**F**

Fast inter member access [F:3] 449  
FCoff [F:1] 403  
FCon [F:1] 403  
flow control [F:1] 403  
Forbidden Message [F:4] 501  
frame types [F:1] 396

**G**

generator polynomial [H:3] 785  
Get-request [F:2] 420  
Group Management [F:3] 435

**H**

HCI RS232 Transport Layer [H:3] 778  
header ID [F:2] 417  
hold mode [C] 208  
Host Controller Interface [F:4] 508  
HTML [F:4] 505  
HTTP [F:4] 503, [F:4] 505

**I**

in-band tones/announcements [F:3] 443  
INFO ACCEPT [F:3] 452  
INFO SUGGEST [F:3] 452  
INFORMATION [F:3] 441  
initialisation key [C] 195  
intercom call [F:3] 479  
Internet Engineering Task Force (IETF) [F:4] 504  
interoperability [F:4] 511  
interrupt latency [H:3] 780  
IrCOMM [F:2] 416  
IrDA [F:2] 414  
IrMC [F:2] 425  
IrOBEX [F:2] 414

**J**

JavaScript [F:4] 505  
jitter [C] 203

**L**

L2CAP channel [F:1] 407  
latency requirements [F:1] 407  
link key [C] 194  
link loss notification [F:1] 399, [F:1] 407  
link supervision [C] 224  
LISTEN REJECT [F:3] 454  
LISTEN REQUEST [F:3] 453  
LISTEN SUGGEST [F:3] 453

loop back test [I:1] 815  
low power mode [F:1] 407

**M**

Management Entity [F:4] 508  
Maximum Frame Size (N1) [F:1] 400  
Modem Status Command [F:1] 397  
multiple bearers [F:4] 508  
multiplexer control channel [F:1] 399  
Multiplexer Control commands [F:1] 401

**N**

name request [C] 207  
negotiation packet [H:3] 780, [H:3] 781  
Negotiation Packet (0x06) [H:3] 779  
negotiation phase [H:3] 780  
null modem [F:1] 392  
null modem emulation [F:1] 391  
number of data bit [H:3] 780  
number of stop bit [H:3] 780

**O**

OBEX [F:2] 414  
OBEX session protocol [F:2] 417  
Obtain access rights [F:3] 449  
output power [C] 215

**P**

paging scheme [C] 223  
pairing [C] 195  
parity type [H:3] 780  
park mode [C] 211  
payload head [C] 192  
PIN [C] 195  
PN command [F:1] 402  
port emulation entity [F:1] 405  
port proxy entity [F:1] 405  
Protocol Mode [H:3] 782  
protocol mode [H:3] 780  
protocol mode 0x13 [H:3] 785  
protocol mode 0x14 [H:3] 788  
Proxy/gateway Addressing [F:4] 509  
Put-request [F:2] 419

**Q**

Q.931 [F:3] 435  
Quality of Service [C] 218

**R**

register recall [F:3] 456

**Bluetooth.**

- RELEASE [F:3] 446  
 RELEASE COMPLETE [F:3] 446  
 reliability [F:1] 407  
 reliable transmission [F:1] 400  
 Response Timer for Multiplexer Control Channel (T2) [F:1] 400  
 resynchronization [H:3] 784  
 resynchronize [H:3] 788  
 retransmission holding buffer [H:3] 785, [H:3] 788  
 retransmission packets [H:3] 785, [H:3] 788  
 RFCOMM [F:2] 414  
 RFCOMM entity [F:1] 393  
 RFCOMM multiplexer [F:1] 399  
 RFCOMM reference model [F:1] 395  
 RFCOMM Server Channel [F:1] 405  
 RFCOMM server channels [F:1] 393, [F:1] 400  
 RFCOMM session [F:1] 393, [F:1] 399  
 RLS command [F:1] 402  
 RPN command [F:1] 401  
 RS-232 [F:1] 389, [F:1] 391, [F:1] 405  
 RS232 [H:3] 778  
 RS-232 control signals [F:1] 392, [F:1] 397  
 RS232 Transport Packet [H:3] 779  
 RSSI [C] 215  
 RTS [H:3] 788  
 RTS/CTS [F:1] 403, [H:3] 780  
 RTS/CTS Mode [H:3] 782
- S**
- SABM command [F:1] 399, [F:1] 400  
 SCO link [C] 219  
 semi-permanent link key [C] 198, [C] 199  
 SEQ No with Error [H:3] 785  
 sequence number [H:3] 779  
 sequence number field [H:3] 785, [H:3] 788  
 Sequence Number with Error field [H:3] 785, [H:3] 788  
 serial port emulation entity [F:1] 395  
 service call [F:3] 479  
 Service Discovery Protocol [F:4] 506, [F:4] 512  
 service records [F:1] 405  
 SetPath- [F:2] 420  
 SETUP [F:3] 439  
 SETUP ACKNOWLEDGE [F:3] 441  
 simple error recovery scheme [H:3] 788  
 Smart Kiosk [F:4] 501  
 sniff mode [C] 209  
 SSL [F:4] 505  
 START DTMF [F:3] 457  
 START DTMF REJECT [F:3] 457  
 STOP DTMF [F:3] 457  
 STOP DTMF ACKNOWLEDGE [F:3] 457  
 supervision timeout [C] 224  
 synchronization [H:3] 785  
 synchronize [H:3] 788
- T**
- TCP [F:4] 505  
 TCP port number [F:2] 423  
 TCP/IP [F:2] 414  
 TCS Binary [F:3] 435  
 Tdetect [H:3] 780  
 Tdetect Time [H:3] 782  
 Tdetect time [H:3] 788  
 temporary link key [C] 198  
 test mode [C] 237, [I:1] 806  
 Tiny TP [F:2] 416  
 transmitter test [I:1] 811  
 TS 07.10 [F:1] 389  
 TS 07.10 multiplexer [F:1] 393, [F:1] 407
- U**
- UART [H:3] 780  
 UART Settings [H:3] 781  
 UDP [F:4] 504  
 Uniform Resource Locators [F:4] 509  
 unit key [C] 197  
 URL [F:4] 507  
 User Addressing [F:4] 509
- V**
- vCalendar [F:2] 415  
 vCard [F:2] 415  
 verifier [C] 194  
 vMessage [F:2] 415  
 vNotes [F:2] 415
- W**
- WAP Client [F:4] 502  
 WAP Proxy/gateway [F:4] 503  
 WAP Server [F:4] 503  
 WDP [F:4] 504  
 Wireless User Group [F:3] 449  
 WSP [F:4] 504  
 WTLS [F:4] 504  
 WTP [F:4] 504  
 WUG [F:3] 449

---

*Confidential Bluetooth*

**Bluetooth.**

**X**

XML [\[F:4\] 505](#)

XON/XOFF [\[F:1\] 403](#)

**Z**

zero elimination [\[H:3\] 787](#)





