

HiFi ENGINE®

For more Hi-Fi manuals and set-up information
please visit www.hifiengine.com

Service Manual

Radio

FM-LW-MW-SW Portable Radio

RF-545L

Color

(S)···Silver Type



Area

Color	Areas
(S)	[Z] ·····For European areas except [ZE], [ZG] [ZI] and [ZY].
(S)	[ZE]·····For United Kingdom.
(S)	[ZG]·····For F.R.Germany.
(S)	[ZI] ·····For Italy and Finland.
(S)	[ZY]·····For Spain and Greece.

■ SPECIFICATIONS

Frequency Range:	FM; 87.5~108MHz LW; 148.5~285kHz (2000~1052m) MW; 520~1610kHz (577~186m) SW; 5.9~18MHz (50.8~16.7m)
Intermediate Frequency:	FM; 10.7MHz AM (MW, LW, SW); 455kHz (470kHz···[ZE] Only)
Sensitivity:	FM; 3 μ V/50 mW output (-3 dB, Limit Sens) LW; 500 μ V/50 mW output (at 285 kHz, S/N 20 dB) MW; 100 μ V/m/50 mW output SW; 30 μ V/50mW (at 6 MHz, S/N 20 dB)
Power Output:	700mW RMS. (Max)

Power Requirement:	AC; [Z] [ZI] [ZG] [ZY]···220V, 50Hz [ZE]··········240V, 50Hz
Battery:	4.5V (Three UM-1 "R20P" type batteries)
Power Consumption:	3W (AC only)
Speaker:	10cm PM Dynamic Speaker 4 Ω
Impedance:	Earphone/EXT SP Jack·····4~8 Ω ϕ 3.5
Dimensions:	252(W) \times 145(H) \times 83(D)mm
Weight:	1kg Without Batteries

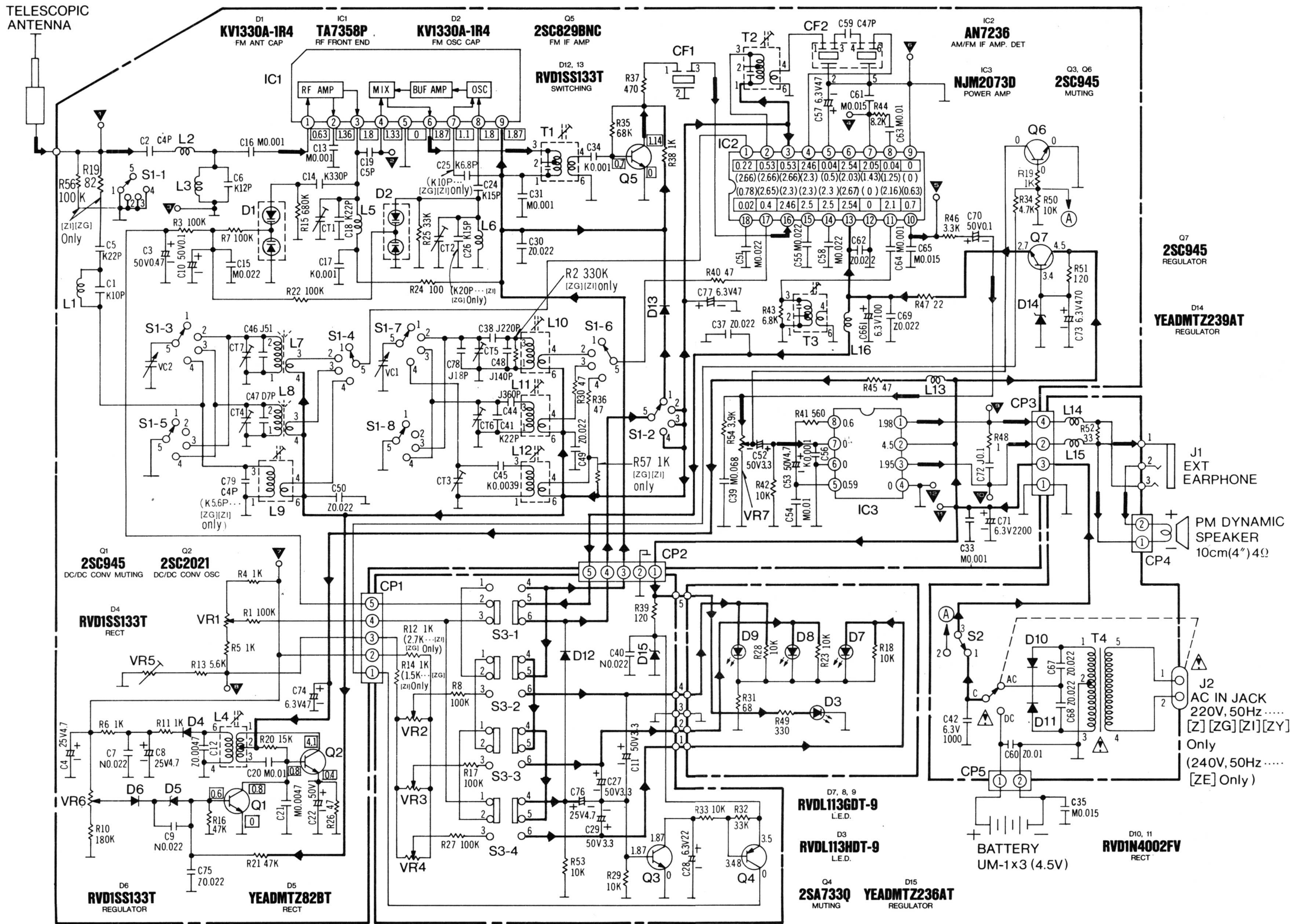
Design and specifications are subject to change without notice.

Panasonic

Matsushita Electric Industrial Co., Ltd.

Central P.O. Box 288, Osaka 530-91, Japan

SCHEMATIC DIAGRAM



IC1

IC2

IC3

Q1,3~7

Q2

D1,2

D3,7~9

D4,6,12,13

D5,14,15

D10,11

IC1: 9-pin component

IC2: 18-pin component

IC3: 5-pin component

Q1,3~7: 3-pin components

Q2: 3-pin component

D1,2: Diodes with Anode and Cathode labels

D3,7~9: Diodes with Anode and Cathode labels

D4,6,12,13: Diodes with Anode and Cathode labels

D5,14,15: Diodes with Anode and Cathode labels

D10,11: Diodes with Anode and Cathode labels

