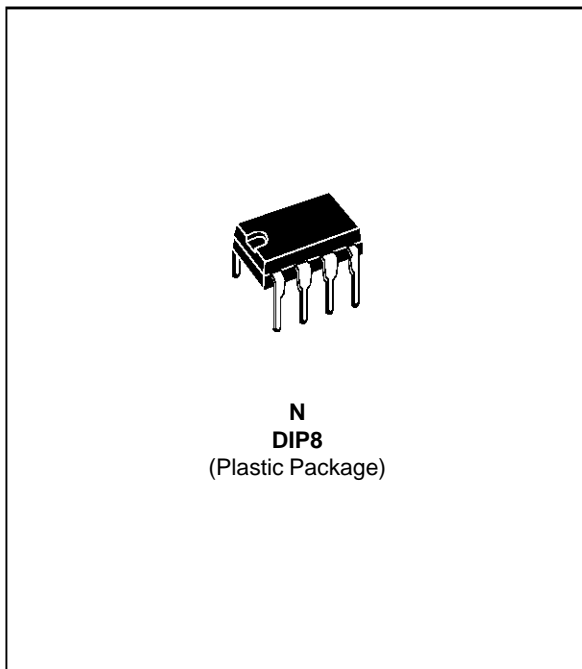


**VERY LOW OFFSET
SINGLE BIPOLAR OPERATIONAL AMPLIFIERS**

- EXTREMELY LOW OFFSET : 150 μ V MAX
- LOW INPUT BIAS CURRENT : 1.8nA
- LOW V_{io} DRIFT : 0.5 μ V/ $^{\circ}$ C
- ULTRA STABLE WITH TIME : 2 μ V/month max.
- WIDE SUPPLY VOLTAGE RANGE :
 \pm 3V to \pm 22V



DESCRIPTION

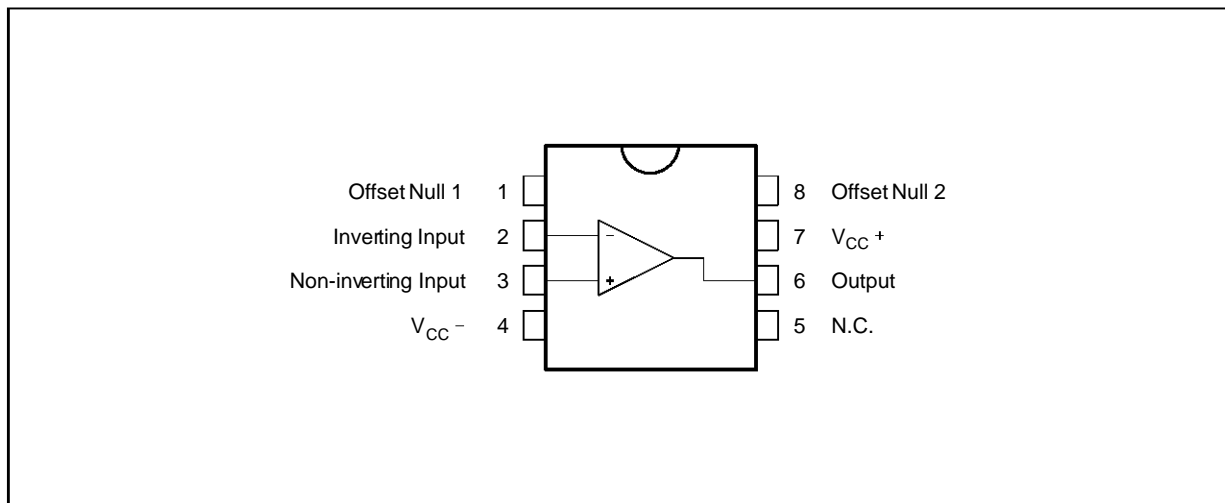
The OP07C is a very high precision op amp with an offset voltage maximum of 150 μ V.

Offering also low input current (1.8nA) and high gain (400V/mV), the OP07C is particularly suitable for instrumentation applications.

ORDER CODES

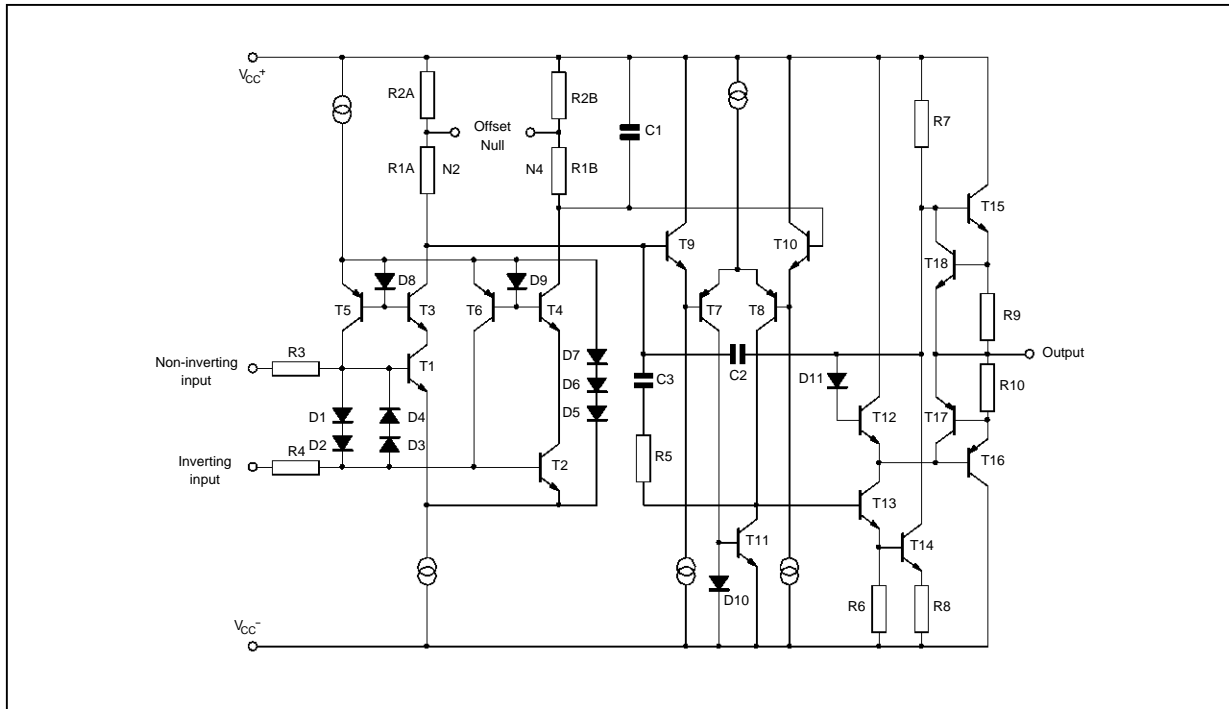
Part Number	Temperature Range	Package
		N
OP07C	-40 $^{\circ}$ C, +105 $^{\circ}$ C	•

PIN CONNECTIONS (top view)

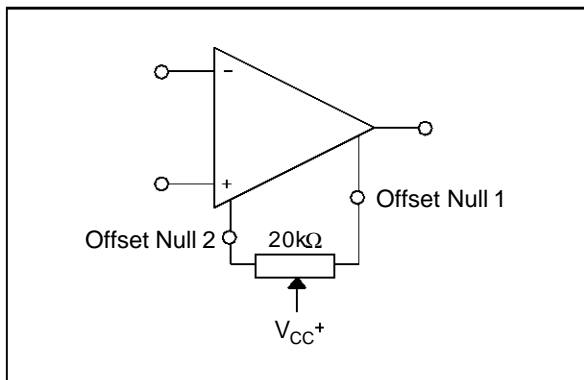


OP07C

SCHEMATIC DIAGRAM



INPUT OFFSET VOLTAGE NULLING CIRCUIT



ABSOLUTE MAXIMUM RATINGS

Symbol	Parameter	Value	Unit
V_{CC}	Supply Voltage	± 22	V
V_{id}	Differential Input Voltage	± 30	V
V_i	Input Voltage	± 22	V
T_{oper}	Operating Temperature	-40 to +105	$^{\circ}\text{C}$
T_{stg}	Storage Temperature	-65 to +150	$^{\circ}\text{C}$

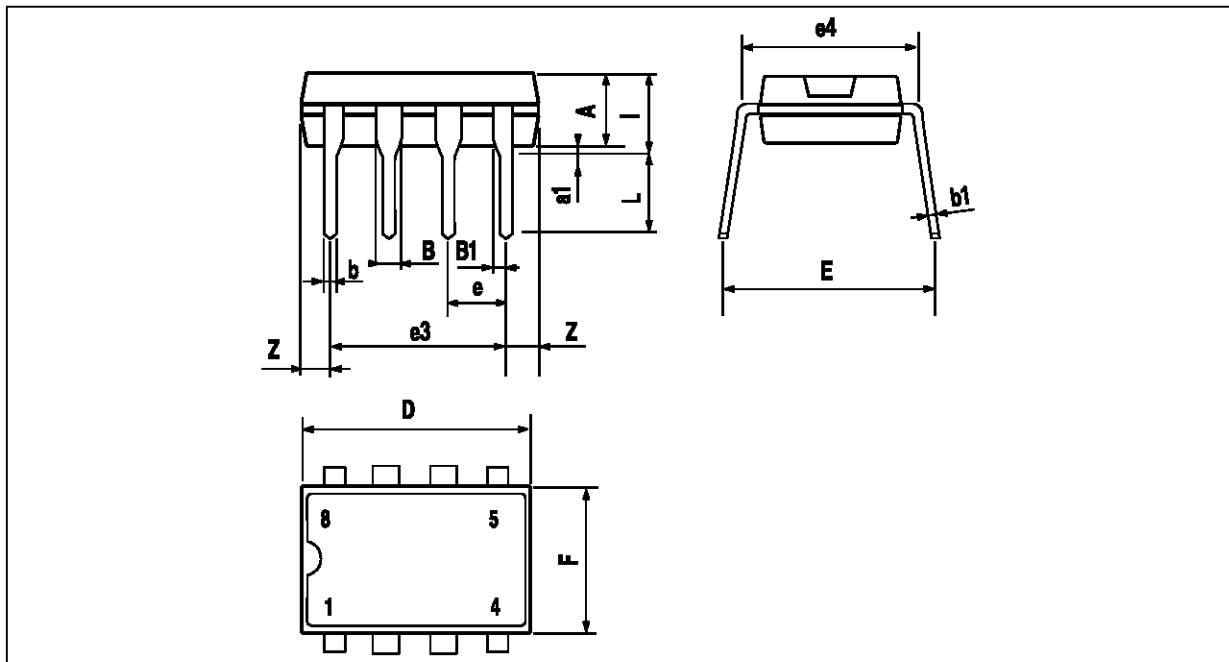
ELECTRICAL CHARACTERISTICS

$V_{CC} = \pm 15V$, $T_{amb} = +25^{\circ}C$ (unless otherwise specified)

Symbol	Parameter	Min.	Typ.	Max.	Unit
V_{io}	Input Offset Voltage $0^{\circ}C \leq T_{amb} \leq +70^{\circ}C$		60	150 250	μV
	Long Term Input Offset Voltage Stability - (note 1)		0.4	2	$\mu V/ Mo$
DV_{io}	Input Offset Voltage Drift		0.5	1.8	$\mu V/^{\circ}C$
I_{io}	Input Offset Current $0^{\circ}C \leq T_{amb} \leq +70^{\circ}C$		0.8	6 8	nA
DI_{io}	Input Offset Current Drift		15	50	$pA/^{\circ}C$
I_{ib}	Input Bias Current $0^{\circ}C \leq T_{amb} \leq +70^{\circ}C$		1.8	7 9	nA
DI_{ib}	Input Bias Current Drift		15	50	$pA/^{\circ}C$
R_o	Open Loop Output Resistance		60		Ω
R_{id}	Differential Input Resistance		33		$M\Omega$
R_{ic}	Common Mode Input Resistance		120		$G\Omega$
V_{icm}	Input Common Mode Voltage Range $0^{\circ}C \leq T_{amb} \leq +70^{\circ}C$	± 13 ± 13	± 13.5		V
CMR	Common Mode Rejection Ratio ($V_i = V_{icm} \text{ min}$) $0^{\circ}C \leq T_{amb} \leq +70^{\circ}C$	100 97	120		dB
SVR	Supply Voltage Rejection Ratio ($V_{CC} = \pm 3 \text{ to } \pm 18V$) $0^{\circ}C \leq T_{amb} \leq +70^{\circ}C$	90 86	104		dB
A_{vd}	Large Signal Voltage Gain $V_{CC} = \pm 15$, $R_L = 2k\Omega$, $V_O = \pm 10V$, $0^{\circ}C \leq T_{amb} \leq +105^{\circ}C$ $V_{CC} = \pm 3V$, $R_L = 500\Omega$, $V_O = \pm 0.5V$	120 100 100	400 400		V/mV
V_{opp}	Output Voltage Swing $0^{\circ}C \leq T_{amb} \leq +70^{\circ}C$ $R_L = 10k\Omega$ $R_L = 2k\Omega$ $R_L = 1k\Omega$ $R_L = 2k\Omega$	± 12 ± 11.5 ± 11	± 13 ± 12.8 ± 12		V
SR	Slew Rate ($R_L = 2k\Omega$, $C_L = 100pF$)		0.17		$V/\mu S$
GBP	Gain Bandwidth Product ($R_L = 2k\Omega$, $C_L = 100pF$, $f = 100kHz$)		0.5		MHz
I_{CC}	Supply Current - (no load) $0^{\circ}C \leq T_{amb} \leq +70^{\circ}C$ $V_{CC} = \pm 3V$		2.7 0.67	5 1.3	mA
e_n	Equivalent Input Noise Voltage $f = 10Hz$ $f = 100Hz$ $f = 1kHz$		11 10.5 10	20 13.5 11.5	$\frac{nV}{\sqrt{Hz}}$
i_n	Equivalent Input Noise Current $f = 10Hz$ $f = 100Hz$ $f = 1kHz$		0.3 0.2 0.1	0.9 0.3 0.2	$\frac{pA}{\sqrt{Hz}}$

Note 1 : 1. Long Term Input Offset Voltage Stability refers to the average trend line of V_{io} vs time over extended periods after the first 30 days of operation.

PACKAGE MECHANICAL DATA
8 PINS - PLASTIC DIP



PM-DIP8-EPS

Dimensions	Millimeters			Inches		
	Min.	Typ.	Max.	Min.	Typ.	Max.
A		3.32			0.131	
a1	0.51			0.020		
B	1.15		1.65	0.045		0.065
b	0.356		0.55	0.014		0.022
b1	0.204		0.304	0.008		0.012
D			10.92			0.430
E	7.95		9.75	0.313		0.384
e		2.54			0.100	
e3		7.62			0.300	
e4		7.62			0.300	
F			6.6			0.260
i			5.08			0.200
L	3.18		3.81	0.125		0.150
Z			1.52			0.060

DIP8-TBL

Information furnished is believed to be accurate and reliable. However, SGS-THOMSON Microelectronics assumes no responsibility for the consequences of use of such information nor for any infringement of patents or other rights of third parties which may result from its use. No license is granted by implication or otherwise under any patent or patent rights of SGS-THOMSON Microelectronics. Specifications mentioned in this publication are subject to change without notice. This publication supersedes and replaces all information previously supplied. SGS-THOMSON Microelectronics products are not authorized for use as critical components in life support devices or systems without express written approval of SGS-THOMSON Microelectronics.

© 1997 SGS-THOMSON Microelectronics – Printed in Italy – All Rights Reserved

SGS-THOMSON Microelectronics GROUP OF COMPANIES
Australia - Brazil - Canada - China - France - Germany - Hong Kong - Italy - Japan - Korea - Malaysia - Malta - Morocco
The Netherlands - Singapore - Spain - Sweden - Switzerland - Taiwan - Thailand - United Kingdom - U.S.A.

ORDER CODE :