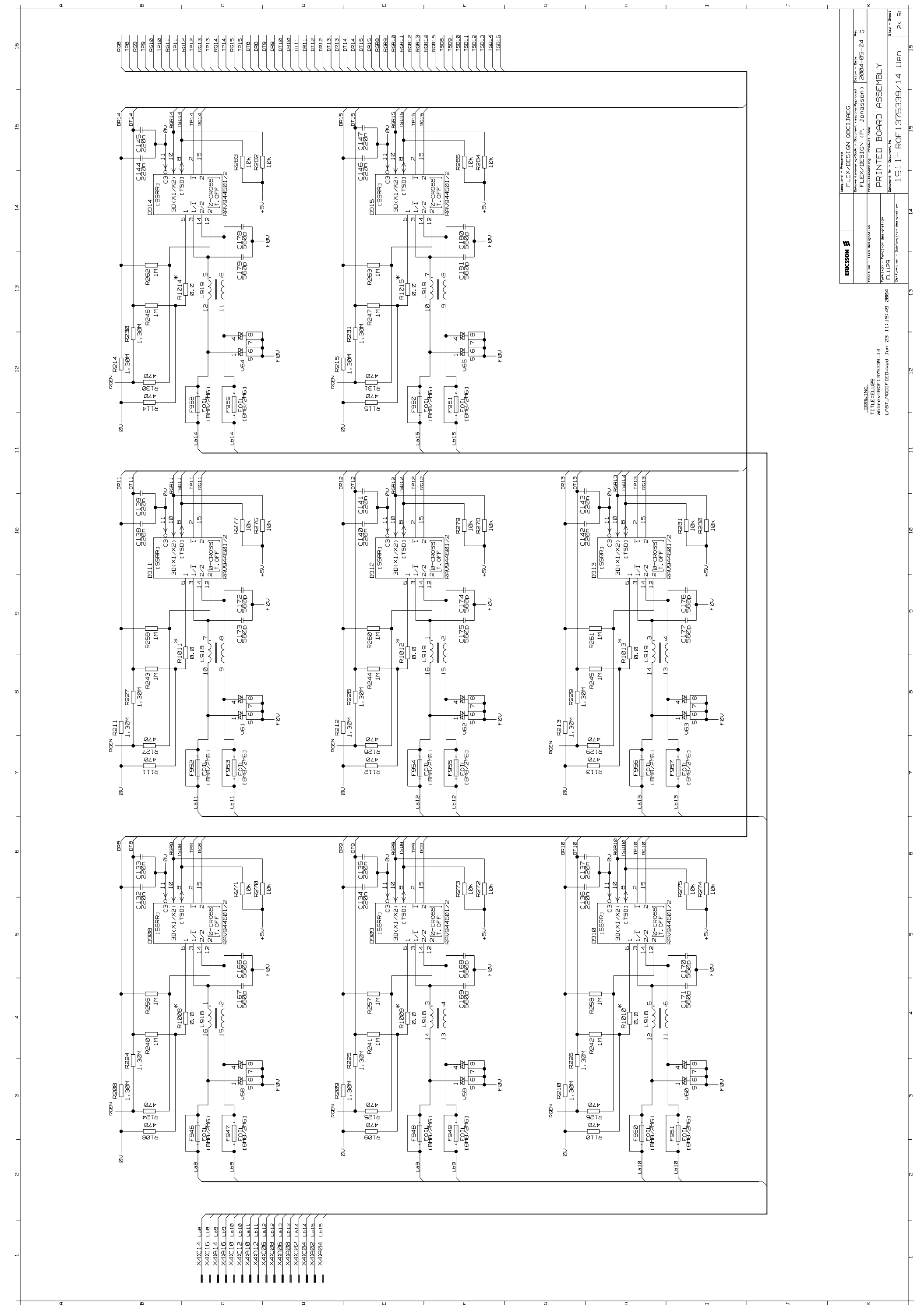


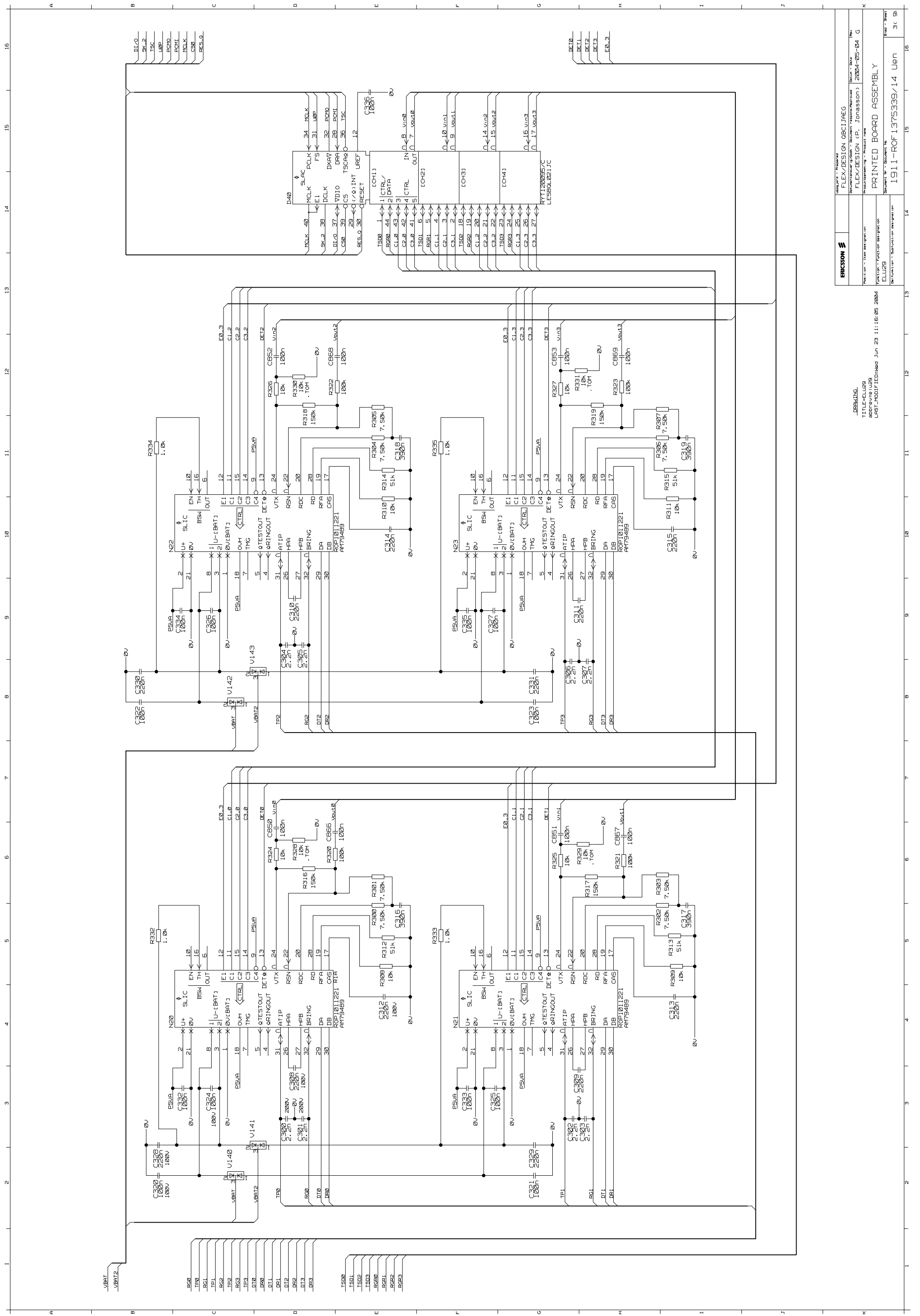
List of Non Electrical Parts

Item	Description	Ericsson Product
AL	BOARD	TVM 1135413
7	INTERMEDIATE PART	SKA1062057
9	STIFFENING BAR	9601818
11	LABEL	LZT083204/3
E99	FIDUCIAL	FIDUCIAL1
E98	FIDUCIAL	FIDUCIAL1
E97	FIDUCIAL	FIDUCIAL1
E100	FIDUCIAL	FIDUCIAL1

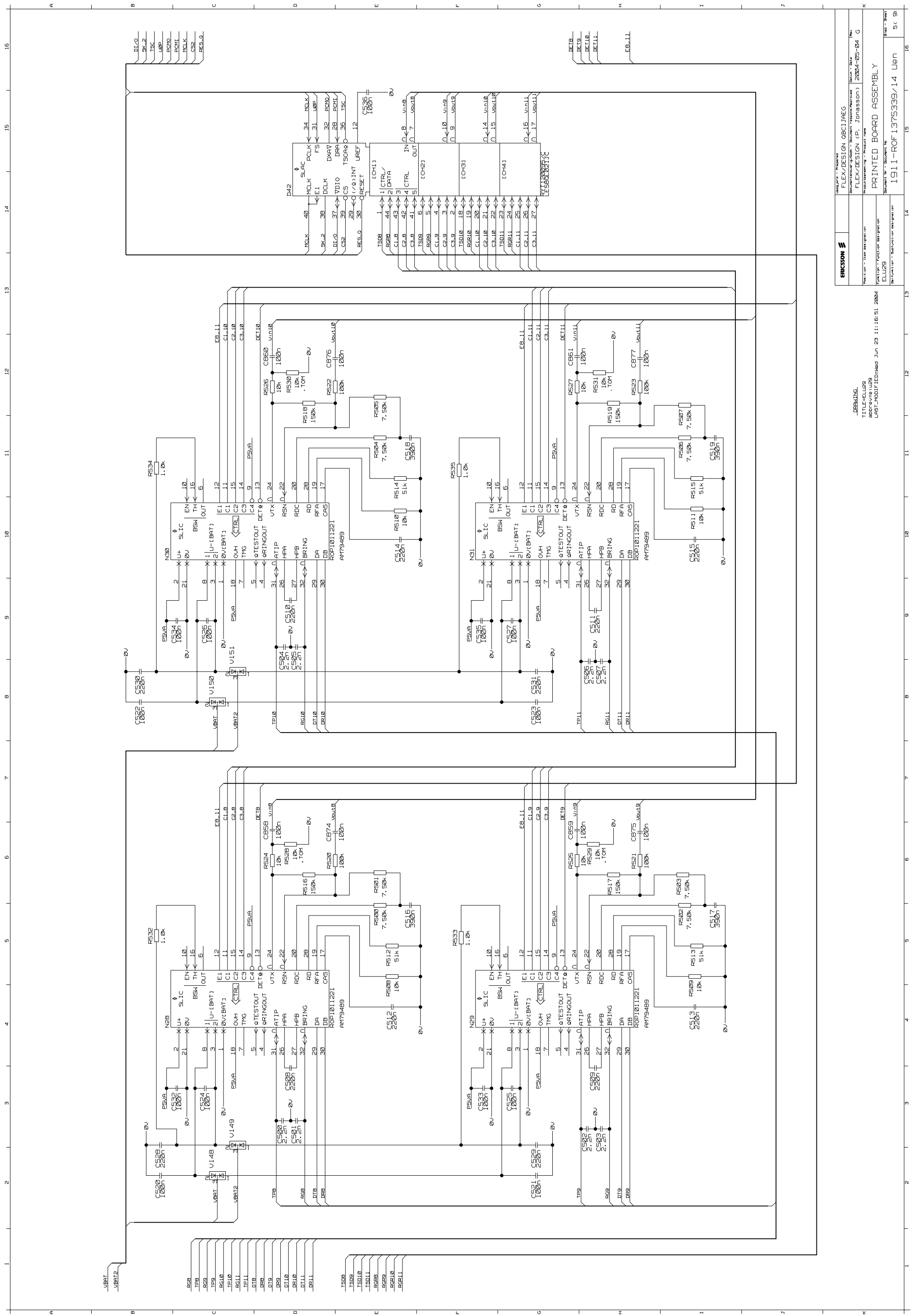
03941 RNK 060 11/1 001/81Z 109 15/11

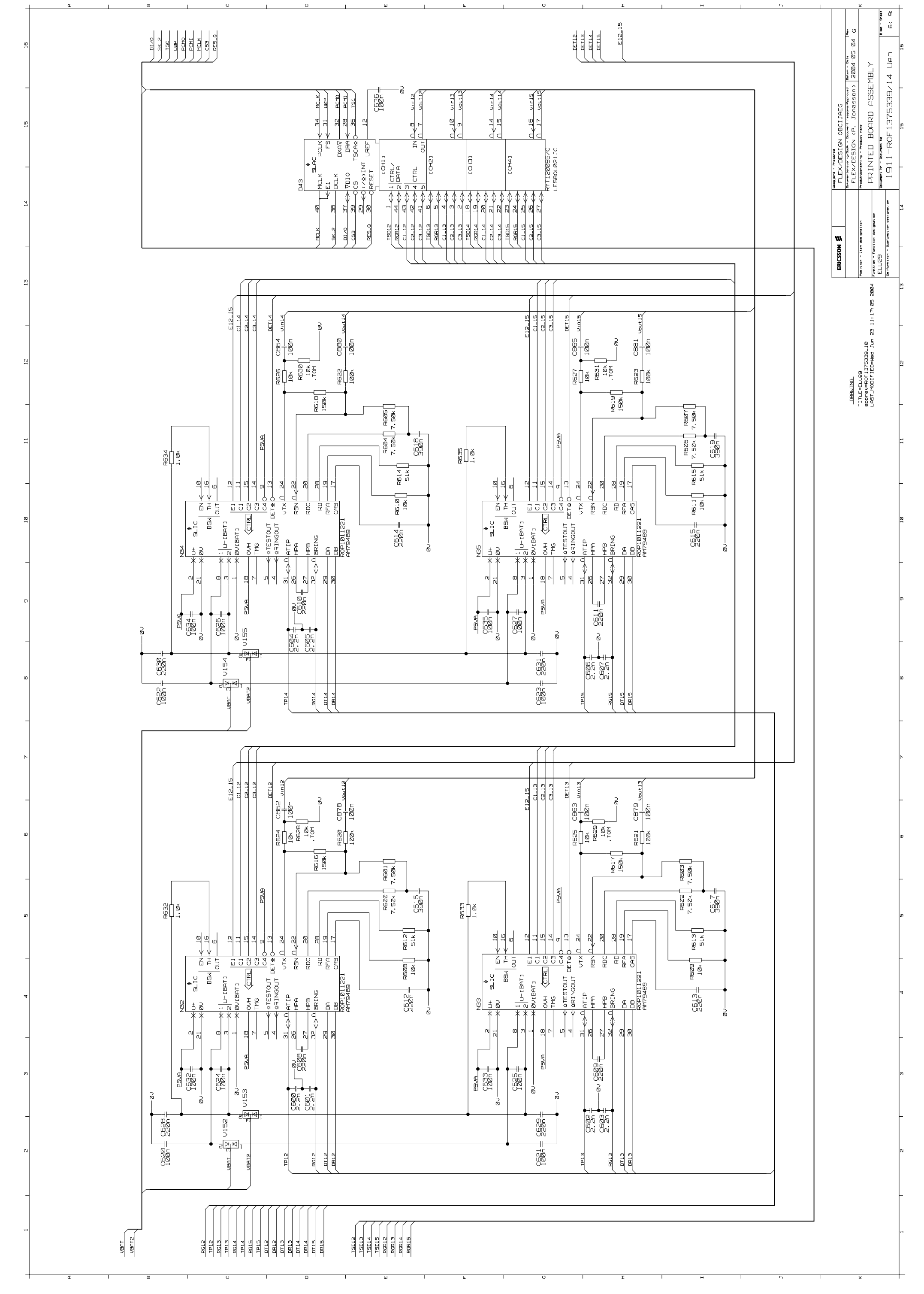
R206	DR5
R207	DR7
R208	DR9
R209	DR11
R210	DR13
R211	DR15
R212	DR17
R213	DR19
R214	DR21
R215	DR23
R216	DR25
R217	DR27
R218	DR29
R219	DR31
R220	DR33
R221	DR35
R222	DR37
R223	DR39
R224	DR41
R225	DR43
R226	DR45
R227	DR47
R228	DR49
R229	DR51
R230	DR53
R231	DR55
R232	DR57
R233	DR59
R234	DR61
R235	DR63
R236	DR65
R237	DR67
R238	DR69
R239	DR71
R240	DR73
R241	DR75
R242	DR77
R243	DR79
R244	DR81
R245	DR83
R246	DR85
R247	DR87
R248	DR89
R249	DR91
R250	DR93
R251	DR95
R252	DR97
R253	DR99
R254	DR101
R255	DR103
R256	DR105
R257	DR107
R258	DR109
R259	DR111
R260	DR113
R261	DR115
R262	DR117
R263	DR119
R264	DR121
R265	DR123
R266	DR125
R267	DR127
R268	DR129
R269	DR131
R270	DR133
R271	DR135
R272	DR137
R273	DR139
R274	DR141
R275	DR143
R276	DR145
R277	DR147
R278	DR149
R279	DR151
R280	DR153
R281	DR155
R282	DR157
R283	DR159
R284	DR161
R285	DR163
R286	DR165
R287	DR167
R288	DR169
R289	DR171
R290	DR173
R291	DR175
R292	DR177
R293	DR179
R294	DR181
R295	DR183
R296	DR185
R297	DR187
R298	DR189
R299	DR191
R300	DR193
R301	DR195
R302	DR197
R303	DR199
R304	DR201
R305	DR203
R306	DR205
R307	DR207
R308	DR209
R309	DR211
R310	DR213
R311	DR215
R312	DR217
R313	DR219
R314	DR221
R315	DR223
R316	DR225
R317	DR227
R318	DR229
R319	DR231
R320	DR233
R321	DR235
R322	DR237
R323	DR239
R324	DR241
R325	DR243
R326	DR245
R327	DR247
R328	DR249
R329	DR251
R330	DR253
R331	DR255
R332	DR257
R333	DR259
R334	DR261
R335	DR263
R336	DR265
R337	DR267
R338	DR269
R339	DR271
R340	DR273
R341	DR275
R342	DR277
R343	DR279
R344	DR281
R345	DR283
R346	DR285
R347	DR287
R348	DR289
R349	DR291
R350	DR293
R351	DR295
R352	DR297
R353	DR299
R354	DR301
R355	DR303
R356	DR305
R357	DR307
R358	DR309
R359	DR311
R360	DR313
R361	DR315
R362	DR317
R363	DR319
R364	DR321
R365	DR323
R366	DR325
R367	DR327
R368	DR329
R369	DR331
R370	DR333
R371	DR335
R372	DR337
R373	DR339
R374	DR341
R375	DR343
R376	DR345
R377	DR347
R378	DR349
R379	DR351
R380	DR353
R381	DR355
R382	DR357
R383	DR359
R384	DR361
R385	DR363
R386	DR365
R387	DR367
R388	DR369
R389	DR371
R390	DR373
R391	DR375
R392	DR377
R393	DR379
R394	DR381
R395	DR383
R396	DR385
R397	DR387
R398	DR389
R399	DR391
R400	DR393
R401	DR395
R402	DR397
R403	DR399
R404	DR401
R405	DR403
R406	DR405
R407	DR407
R408	DR409
R409	DR411
R410	DR413
R411	DR415
R412	DR417
R413	DR419
R414	DR421
R415	DR423
R416	DR425
R417	DR427
R418	DR429
R419	DR431
R420	DR433
R421	DR435
R422	DR437
R423	DR439
R424	DR441
R425	DR443
R426	DR445
R427	DR447
R428	DR449
R429	DR451
R430	DR453
R431	DR455
R432	DR457
R433	DR459
R434	DR461
R435	DR463
R436	DR465
R437	DR467
R438	DR469
R439	DR471
R440	DR473
R441	DR475
R442	DR477
R443	DR479
R444	DR481
R445	DR483
R446	DR485
R447	DR487
R448	DR489
R449	DR491
R450	DR493
R451	DR495
R452	DR497
R453	DR499
R454	DR501
R455	DR503
R456	DR505
R457	DR507
R458	DR509
R459	DR511
R460	DR513
R461	DR515
R462	DR517
R463	DR519
R464	DR521
R465	DR523
R466	DR525
R467	DR527
R468	DR529
R469	DR531
R470	DR533
R471	DR535
R472	DR537
R473	DR539
R474	DR541
R475	DR543
R476	DR545
R477	DR547
R478	DR549
R479	DR551
R480	DR553
R481	DR555
R482	DR557
R483	DR559
R484	DR561
R485	DR563
R486	DR565
R487	DR567
R488	DR569
R489	DR571
R490	DR573
R491	DR575
R492	DR577
R493	DR579
R494	DR581
R495	DR583
R496	DR585
R497	DR587
R498	DR589
R499	DR591
R500	DR593
R501	DR595
R502	DR597
R503	DR599
R504	DR601
R505	DR603
R506	DR605
R507	DR607
R508	DR609
R509	DR611
R510	DR613
R511	DR615
R512	DR617
R513	DR619
R514	DR621
R515	DR623
R516	DR625
R517	DR627
R518	DR629
R519	DR631
R520	DR633
R521	DR635
R522	DR637
R523	DR639
R524	DR641
R525	DR643
R526	DR645
R527	DR647
R528	DR649
R529	DR651
R530	DR653
R531	DR655
R532	DR657
R533	DR659
R534	DR661
R535	DR663
R536	DR665
R537	DR667
R538	DR669
R539	DR671
R540	DR673
R541	DR675
R542	DR677
R543	DR679
R544	DR681
R545	DR683
R546	DR685
R547	DR687
R548	DR689
R549	DR691
R550	DR693
R551	DR695
R552	DR697
R553	DR699
R554	DR701
R555	DR703
R556	DR705
R557	DR707
R558	DR709
R559	DR711
R560	DR713
R561	DR715
R562	DR717
R563	DR719
R564	DR721
R565	DR723
R566	DR725
R567	DR727
R568	DR729
R569	DR731
R570	DR733
R571	DR735
R572	DR737
R573	DR739
R574	DR741
R575	DR743
R576	DR745
R577	DR747
R578	DR749
R579	DR751
R580	DR753
R581	DR755
R582	DR757
R583	DR759
R584	DR761
R585	DR763
R586	DR765
R587	DR767
R588	DR769
R589	DR771
R590	DR773
R591	DR775
R592	DR777
R593	DR779
R594	DR781
R595	DR783
R596	DR785
R597	DR787
R598	DR789
R599	DR791
R600	DR793
R601	DR795
R602	DR797
R603	DR799
R604	DR801
R605	DR803
R606	DR805
R607	DR807
R608	DR809
R609	DR811
R610	DR813
R611	DR815
R612	DR817
R613	DR819
R614	DR821
R615	DR823
R616	DR825
R617	DR827
R618	DR829
R619	DR831
R620	DR833
R621	DR835
R622	DR837
R623	DR839
R624	DR841
R625	DR843
R626	DR845
R627	DR847
R628	DR849
R629	DR851
R630	DR853
R631	DR855
R632	DR857
R633	DR859
R634	DR861
R635	DR863
R636	DR865
R637	DR867
R638	DR869
R639	DR871
R640	DR873
R641	DR875
R642	DR877
R643	DR879
R644	DR881
R645	DR883
R646	DR885
R647	DR887
R648	DR889
R649	DR891
R650	DR893
R651	DR895
R652	DR897
R653	DR899
R654	DR901
R655	DR903
R656	DR905
R657	DR907
R658	DR909
R659	DR911
R660	DR913
R661	DR915
R662	DR917
R663	DR919
R664	DR921
R665	DR923
R666	DR925
R667	DR927
R668	DR929
R669	DR931
R670	DR933
R671	DR935
R672	DR937
R673	DR939
R674	DR941
R675	DR943
R676	DR945
R677	DR947
R678	DR949
R679	DR951
R680	DR953
R681	DR955
R682	DR957
R683	DR959
R684	DR961
R685	DR963
R686	DR965
R687	DR967
R688	DR969
R689	DR971
R690	DR973
R691	DR975
R692	DR977
R693	DR979
R694	DR981
R695	DR983
R696	DR985
R697	DR987
R698	DR989
R699	DR991
R700	DR993
R701	DR995
R702	DR997
R703	DR999
R704	DR1001
R705	DR1003
R706	DR1005
R707	DR1007
R708	DR1009
R709	DR1011
R710	DR1013
R711	DR1015
R712	DR1017
R713	DR1019
R714	DR1021
R715	DR1023
R716	DR1025
R717	DR1027
R718	DR1029
R719	DR1031
R720	DR1033
R721	DR1035
R722	DR1037
R723	DR1039
R724	DR1041
R725	DR1043
R726	DR1045
R727	DR1047
R728	DR1049
R729	DR1051
R730	DR1053
R731	DR1055
R732	DR1057
R733	DR1059
R734	DR1061
R735	DR1063
R736	DR1065
R737	DR1067
R738	DR1069
R739	DR1071</

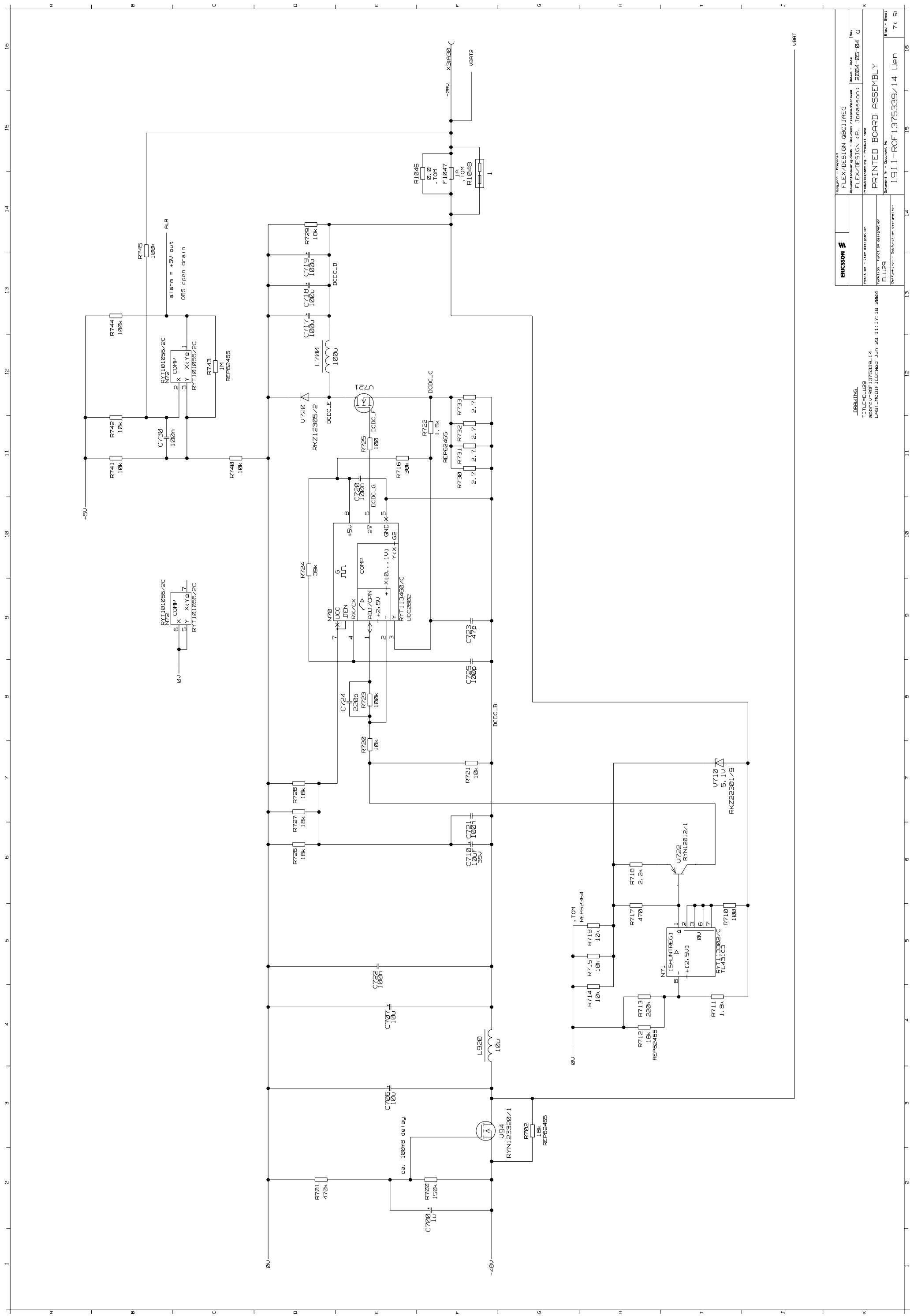










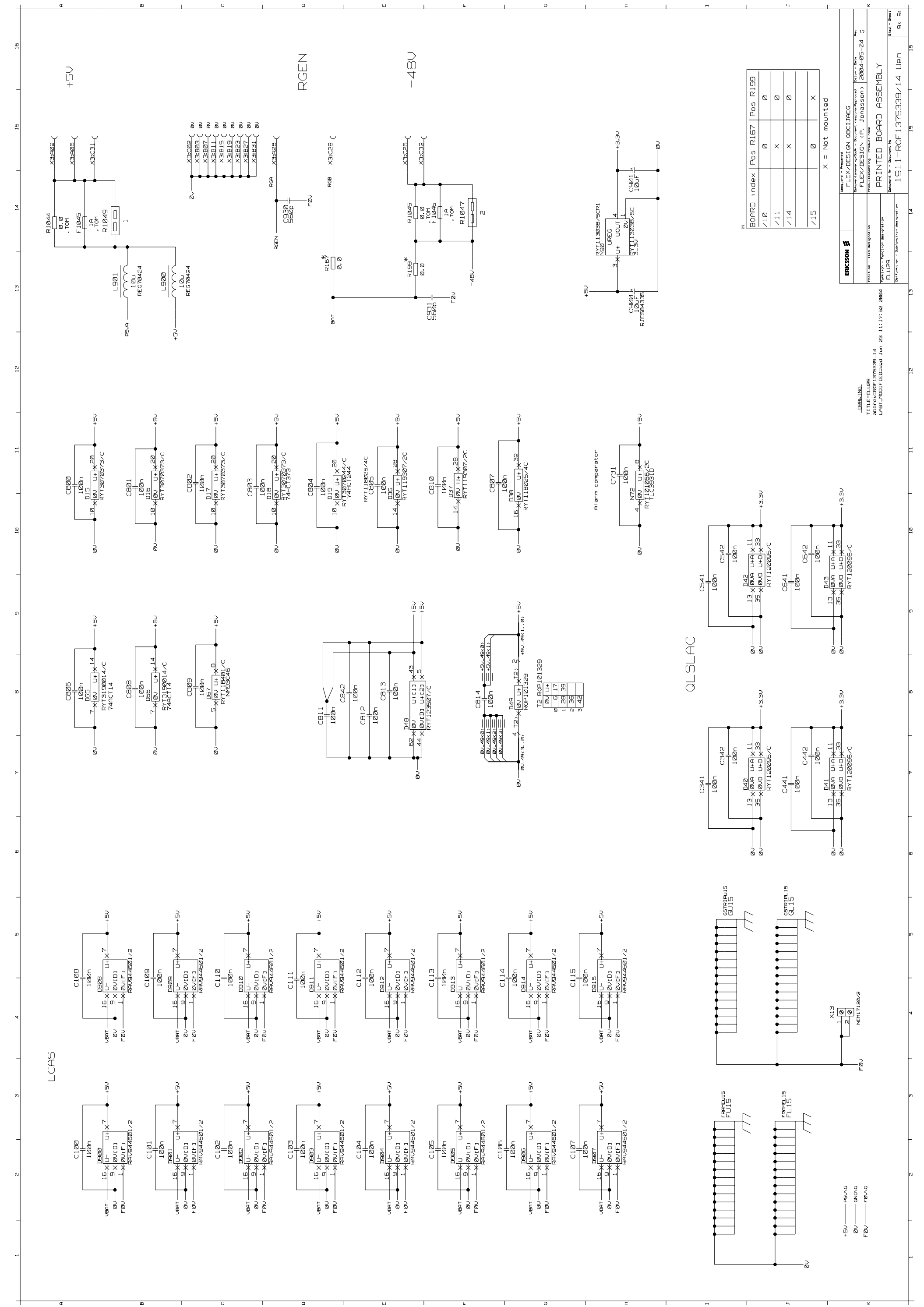


ERICSSON		Using part - Reserved	FLEX/DESIGN OBC1JAE6
TITLE: ELL29		Document - Revision	Document - Revision
LAST_MODIFIED: Head Jun 23 11:17:18 2004		Document - Project Name	2004-05-04 G
PART: 1911-ROF1375339/14 Uen		Document - Project Name	PRINTED BOARD ASSEMBLY
Sheet No - 7 of 9		Document No	1911-ROF1375339/14 Uen

ERICSSON		Using part - Reserved	FLEX/DESIGN OBC1JAE6
TITLE: ELL29		Document - Revision	Document - Revision
LAST_MODIFIED: Head Jun 23 11:17:18 2004		Document - Project Name	2004-05-04 G
PART: 1911-ROF1375339/14 Uen		Document - Project Name	PRINTED BOARD ASSEMBLY
Sheet No - 7 of 9		Document No	1911-ROF1375339/14 Uen







\* BOARD index Pos R167 Pos R199

/10	0	0
/11	X	0
/14	X	0
/15	0	X

X = Not mounted

**ERICSSON**

Using part - Reference: FLEX/DESIGN OBC1JAE6  
 Date: 2004-05-04 G

Function: FLEX/DESIGN (P. JONASSON) | 2004-05-04 G

Production: Project Name: PRINTED BOARD ASSEMBLY

Sheet No: 1911-ROF1375339/14 Uen

Page: 9 of 9

DEBUGGING  
 TITLE: ELL29  
 BOARD: ROF1375339\_14  
 LAST\_MODIFIED: Jun 23 11:17:52 2004

Legend:

- +5V — PS/AVG
- 0V — GND/G
- F0V — F0V/AVG