

# POWER AMPLIFIER P 5000S/P 7000S

## SERVICE MANUAL



P5000S



P7000S

A manufacture number should use this manual with goods of 9 or more figures.  
(本マニュアルは、製造番号が9桁以上の商品でご使用ください。)

The example of a manufacture number

(製造番号例)

UCCKX01001

9-11 figures

(9~11桁)

The service manual of PA[011698] should be used for the goods whose manufacture number is 7 figures.

(製造番号が7桁の商品は、PA[011698]のサービスマニュアルをご使用ください。)

The example of a manufacture number

(製造番号例)

KL01001

7 figures

(7桁)

### ■ CONTENTS (目次)

|  |       |
|--|-------|
| SPECIFICATIONS (総合仕様).....   | 3/4   |
| DIMENSIONS (寸法図).....  | 5     |
| PERFORMANCE GRAPHS (特性図).....  | 5     |
| PANEL LAYOUT (パネルレイアウト).....   | 6     |
| CIRCUIT BOARD LAYOUT&WIRING<br>(ユニットレイアウト&結線図).....  | 8     |
| DISASSEMBLY PROCEDURE (分解手順).....  | 14    |
| IC BLOCK DIAGRAM (ICブロック図).....  | 21    |
| CIRCUIT BOARDS (シート基板図).....   | 22    |
| INSPECTION (検査).....   | 35/43 |
| PARTS LIST<br>BLOCK DIAGRAM (ブロックダイアグラム)<br>WIRING (基板結線図)<br>OVERALL CIRCUIT DIAGRAM (総回路図) |       |

PA 011756

P5000S: 200410-162750  
P7000S: 200410-194250



HAMAMATSU, JAPAN

## IMPORTANT NOTICE

This manual has been provided for the use of authorized Yamaha Retailers and their service personnel. It has been assumed that basic service procedures inherent to the industry, and more specifically Yamaha Products, are already known and understood by the users, and have therefore not been restated.

**WARNING:** Failure to follow appropriate service and safety procedures when servicing this product may result in personal injury, destruction of expensive components and failure of the product to perform as specified. For these reasons, we advise all Yamaha product owners that all service required should be performed by an authorized Yamaha Retailer or the appointed service representative.

**IMPORTANT:** This presentation or sale of this manual to any individual or firm does not constitute authorization, certification, recognition of any applicable technical capabilities, or establish a principal-agent relationship of any form.

The data provided is believed to be accurate and applicable to the unit(s) indicated on the cover. The research engineering, and service departments of Yamaha are continually striving to improve Yamaha products. Modifications are, therefore, inevitable and changes in specification are subject to change without notice or obligation to retrofit. Should any discrepancy appear to exist, please contact the distributor's Service Division.

**WARNING:** Static discharges can destroy expensive components. Discharge any static electricity your body may have accumulated by grounding yourself to the ground bus in the unit (heavy gauge black wires connect to this bus).

**IMPORTANT:** Turn the unit OFF during disassembly and parts replacement. Recheck all work before you apply power to the unit.

## WARNING: CHEMICAL CONTENT NOTICE!

The solder used in the production of this product contains LEAD. In addition, other electrical / electronic and / or plastic (where applicable) components may also contain traces of chemicals found by the California Health and Welfare Agency (and possibly other entities) to cause cancer and / or birth defects or other reproductive harm.

**DO NOT PLACE SOLDER, ELECTRICAL / ELECTRONIC OR PLASTIC COMPONENTS IN YOUR MOUTH FOR ANY REASON WHATSOEVER EVER!**

Avoid prolonged, unprotected contact between solder and your skin! When soldering, do not inhale solder fumes or expose eyes to solder / flux vapor!

If you come in contact with solder or components located inside the enclosure of this product, wash your hands before handling food.


### IMPORTANT NOTICE FOR THE UNITED KINGDOM

#### Connecting the Plug and Cord

**WARNING:** THIS APPARATUS MUST BE EARTHED  
**IMPORTANT.** The wires in this mains lead are coloured in accordance with the following code:

|                  |           |
|------------------|-----------|
| GREEN-AND-YELLOW | : EARTH   |
| BLUE             | : NEUTRAL |
| BROWN            | : LIVE    |

As the colours of the wires in the mains lead of this apparatus may not correspond with the coloured markings identifying the terminals in your plug proceed as follows:


The wire which is coloured GREEN-and-YELLOW must be connected to the terminal in the plug which is marked by the letter E or by the safety earth symbol  or colored GREEN or GREEN-and-YELLOW.

The wire which is coloured BLUE must be connected to the terminal which is marked with the letter N or coloured BLACK.

The wire which is coloured BROWN must be connected to the terminal which is marked with the letter L or coloured RED.

• This applies only to products distributed by Yamaha-Kemble Music (U.K.) Ltd. (3 wires)

### WARNING

Components having special characteristics are marked  and must be replaced with parts having specification equal to those originally installed.

 印の商品は、安全を維持するために重要な部品です。交換する場合は、安全のため必ず指定の部品をご使用下さい。

## ■ SPECIFICATIONS

|  |                              | P5000S   | P7000S                   |
|--|------------------------------|--|--------------------------|
| Power Output Level (Rated Power)       | 8Ω/STEREO                    | 525 W×2  | 750 W×2                  |
|  | 1 kHz<br>4Ω/STEREO           | 750 W×2  | 1100 W×2                 |
| THD + N = 1%                           | 8Ω/BRIDGE                    | 1500 W×1   | 2200 W×1                 |
|  | 8Ω/STEREO                    | 500 W×2  | 700 W×2                  |
| 20 Hz – 20 kHz                         | 4Ω/STEREO                    | 700 W×2  | 650 W×2 (European Model) |
|  | THD + N = 0.1%               | 1400 W×1   | 950 W×2                  |
| 1 kHz                                  | 8Ω/BRIDGE                    | 1300 W×2   | 1900 W×1                 |
|  | 20 ms non-clip               | 2600 W×1   | 1600 W×2                 |
| 20 ms non-clip                         | 4Ω/BRIDGE                    |  | 3200 W×1                 |
| Power Bandwidth                        | Half Power                   | 10 Hz – 40 kHz (THD + N = 0.5 %)   |                          |
| Total Harmonic Distortion (THD + N)    | 4Ω – 8Ω/STEREO               | ≤ 0.1 %  |                          |
|  | 20 Hz – 20 kHz, Half Power   |  |                          |
| Frequency Response                     | RL = 8Ω , Po = 1 W           | 0 dB, +0.5 dB, –1 dB f = 20 Hz – 50 kHz  |                          |
| Intermodulation distortion (IMD)       | 4Ω – 8Ω/STEREO               | ≤ 0.1 %  |                          |
|  | 60 Hz:7 kHz, 4:1, Half Power |  |                          |
| Channel Separation                     | Half Power RL = 8Ω 1 kHz     | ≥ 70 dB  |                          |
| Vol. max                               | input 600 shunt              |  |                          |
| Residual Noise Vol. min.               | 20 Hz – 20 kHz (DIN AUDIO)   | ≤ –70 dBu  |                          |
| SN Ratio                               | 20 Hz – 20 kHz (DIN AUDIO)   | 103 dB   | 104 dB                   |
| Damping Factor                         | RL = 8Ω , 1 kHz              | ≥ 350  |                          |
| Sensitivity (Vol. max.) Rated Power 8Ω |                              | +6 dBu   | +8 dBu                   |
| Voltage Gain (Vol. max.)               |                              | 32.1 dB  |                          |
| Input Impedance                        |                              | 30 kΩ/balanced, 15 kΩ/unbalanced   |                          |
| Controls                               | Front Panel                  | POWER switch (Push on/Push off)<br>Two 31-step Volume control knobs (one per ch)   |                          |
|  | Rear Panel                   | MODE switch (STEREO/PARALLEL/BRIDGE)<br>Two FILTER switches (SUBWOOFER/LOW CUT/OFF)<br>Two fc knobs (25 to 150 Hz, 12dB/octave)<br>YS Processing switch (ON/OFF) |                          |
| Connectors                             | INPUT                        | XLR-3-31 jacks (one per ch)<br>1/4-inch TRS phone jacks (one per ch)   |                          |
|  | OUTPUT                       | Speakon jacks (one per ch)<br>5-way binding posts<br>1/4-inch phone jacks (one per ch)   |                          |
| Indicators                             | POWER                        | 1 (Green)  |                          |
|  | PROTECTION                   | 1 (Red)  |                          |
|  | TEMP                         | 1 (Red) (heatsink temp ≥ 85°C)   |                          |
|  | CLIP                         | 2 (Red)  |                          |
|  | SIGNAL                       | 2 (Green)  |                          |
|  | YS Processing                | 1 (Yellow)   |                          |
| Load protection                        |                              | POWER switch ON/OFF muting   |                          |
|  |                              | DC-fault power supply shutdown   |                          |
| Amp. protection                        |                              | Temp. detection (heat sink temp ≥ 90°C), VI limiter (RL ≤ 1Ω)  |                          |
| Limiter                                |                              | Comp: THD ≥ 0.5 %  |                          |
| Cooling                                |                              | Dual variable-speed fan  |                          |
| Power Requirements                     | United States & Canada       | 120 V, 60 Hz   |                          |
|  | Europe                       | 230 V, 50 Hz   |                          |
|  | Australia                    | 240 V, 50 Hz   |                          |
| Power Consumption                      | Idling                       | 35 W   | 35 W                     |
|  | Output power, 4Ω             | 500 W  | 650 W                    |
| Dimensions (W×H×D)                     |                              | 480 × 88 × 456 mm  |                          |
| Weight                                 |                              | 12 kg  |                          |
| Included Accessories                   |                              | Security cover (with a hex wrench), Owner's Manual   |                          |

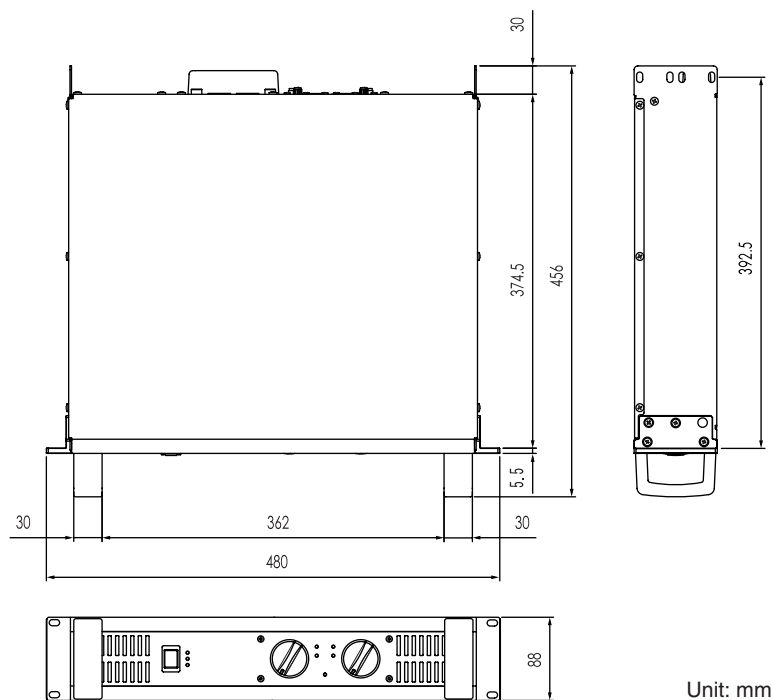
0 dBu=0.775 Vrms, Half Power=1/2 Power Output Level (Rated Power)

## ■ 総合仕様

|                             |  | P5000S  | P7000S     |
|-----------------------------|--|---|------------|
| 出力レベル                       | 8 /STEREO                              | 525 W × 2   | 750 W × 2  |
|                             | 1 kHz                                  | 750 W × 2   | 1100 W × 2 |
|                             | THD + N = 1 %                          | 1500 W × 1  | 2200 W × 1 |
| -----                       | 8 /STEREO                              | 500 W × 2   | 700 W × 2  |
|                             | 20 Hz ~ 20 kHz                         | 700 W × 2   | 950 W × 2  |
|                             | THD + N = 0.1 %                        | 1400 W × 1  | 1900 W × 1 |
| -----                       | 1 kHz                                  | 1300 W × 2  | 1600 W × 2 |
|                             | 20 ms nonclip                          | 2600 W × 1  | 3200 W × 1 |
| 出力帯域幅                       | Half Power                             | 10 Hz ~ 40 kHz (THD + N = 0.5 %)  |            |
| 全高調波歪率 (THD + N)            | 4 ~ 8 /STEREO                          | 0.1 %   |            |
|                             | 20 Hz ~ 20 kHz、Half Power              |   |            |
| 周波数特性                       | RL = 8、Po = 1 W                        | 0 dB、+0.5 dB、-1 dB f = 20 Hz ~ 50 kHz   |            |
| 混変調歪率                       | 4 ~ 8 /STEREO                          | 0.1 %   |            |
|                             | 60 Hz : 7 kHz、4 : 1、Half Power         |   |            |
| チャンネル間セパレーション<br>ボリューム max. | Half Power RL = 8 1 kHz<br>入力 600 シェント | 70 dB   |            |
| 残留ノイズ ボリューム min.            | 20 Hz ~ 20 kHz (DIN AUDIO)             | -70 dBu   |            |
| SN 比                        | 20 Hz ~ 20 kHz (DIN AUDIO)             | 103 dB  | 104dB      |
| ダンピングファクター                  | RL = 8、1 kHz                           | 350   |            |
| 入力感度 ボリューム max. Rated Power | 8                                      | +6 dBu  | +8 dBu     |
| ボルテージゲイン ボリューム max.         |  | 32.1 dB   |            |
| 入力インピーダンス                   |  | 30 k /バランス型、15 k /アンバランス型   |            |
| コントロール                      | フロントパネル                                | POWER スイッチ : ON/OFF<br>ボリューム : 31 ポジション (チャンネル単位) × 2   |            |
|                             | リアパネル                                  | MODE スイッチ : STEREO/PARALLEL/BRIDGE<br><br>フィルタースイッチ : (SUB WOOFER/LOW CUT/OFF) × 2<br>fc = (25 Hz ~ 150 Hz, 12dB/octave) × 2<br>YS Processing スイッチ (ON/OFF) |            |
|                             |  |   |            |
| コネクター                       | INPUT                                  | XLR-3-31 端子 (チャンネル単位)<br>1/4 インチ TRS フォーン端子 (チャンネル単位)   |            |
|                             | OUTPUT                                 | スピコン (チャンネル単位)<br>5 ウェイバインディングポスト、<br>1/4 インチフォーン端子 (チャンネル単位)   |            |
| インジケータ                      | POWER                                  | × 1 (緑)   |            |
|                             | PROTECTION                             | × 1 (赤)   |            |
|                             | TEMP                                   | × 1 (赤) (ヒートシンク温度 85 )  |            |
|                             | CLIP                                   | × 2 (赤)   |            |
|                             | SIGNAL                                 | × 2 (緑)   |            |
|                             | YS Processing                          | × 1 (黄)   |            |
| ロードプロテクション                  |  | POWER スイッチオン / オフ、ミュート  |            |
|                             |  | DC 検出 (シャットダウン)   |            |
| アンププロテクション                  |  | 温度検出 (ヒートシンク温度 90 ) VI リミッタ - (RL 1 )   |            |
| リミッター                       |  | コンプ : THD 0.5 %   |            |
| クーリング                       |  | 連続可変式ファン (デュアル)   |            |
| 電源                          |  | 100 V、50/60 Hz  |            |
| 消費電力                        | 無信号                                    | 35 W  | 35 W       |
|                             | 出力、4                                   | 500 W   | 650 W      |
| 最大外形寸法 (W × H × D)          |  | 480 × 88 × 456 mm   |            |
| 質量                          |  | 12 kg   |            |
| 付属品                         |  | セキュリティカバー (6 角レンチを含む) 取扱説明書   |            |

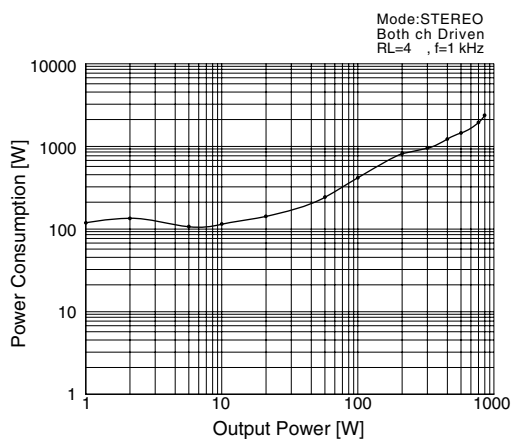
0 dBu = 0.775 Vrms, Half Power = 1/2 Power Output Level (Rated Power)

## ■ DIMENSIONS (寸法図)

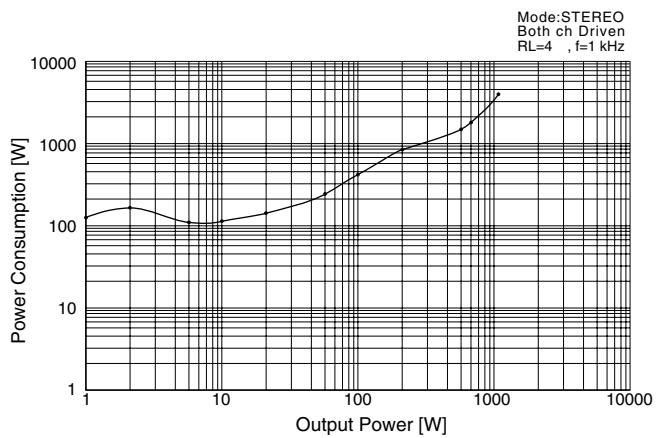


## ■ PERFORMANCE GRAPHS (特性図)

P5000S

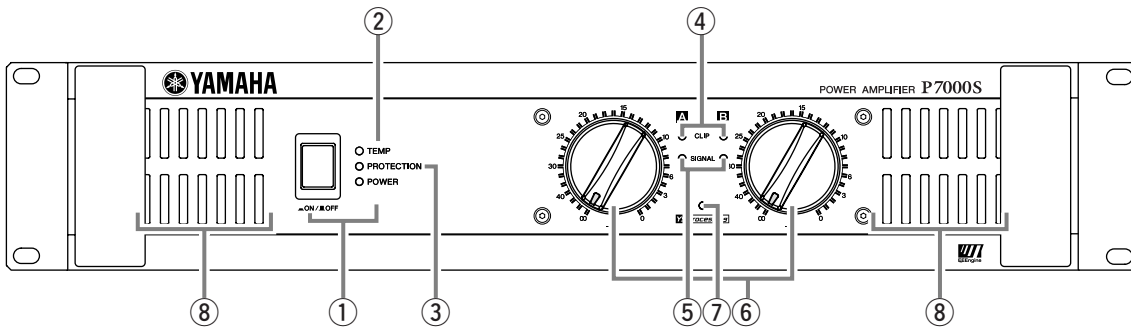


P7000S



## ■ PANEL LAYOUT (パネルレイアウト)

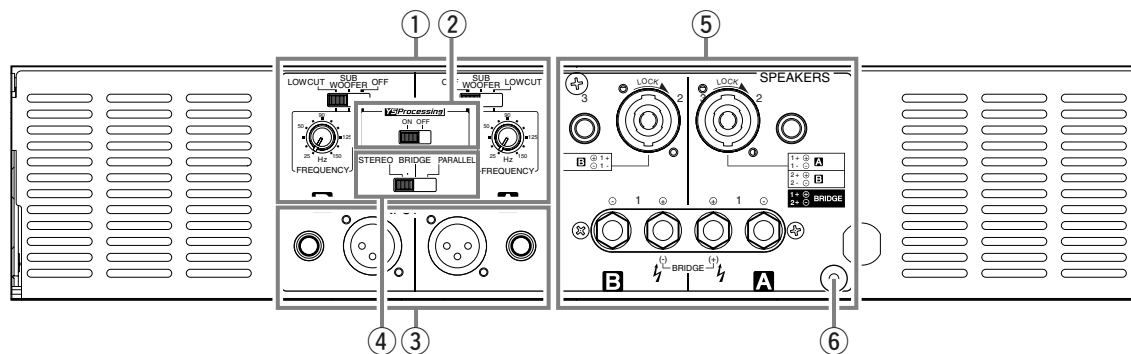
### ・ Front Panel (フロントパネル)



- ① [POWER] switch and indicator
- ② [TEMP] indicator
- ③ [PROTECTION] indicator
- ④ [CLIP] indicator
- ⑤ [SIGNAL] indicator
- ⑥ Volume control knobs
- ⑦ [ **YSProcessing** ] indicator
- ⑧ Air intakes

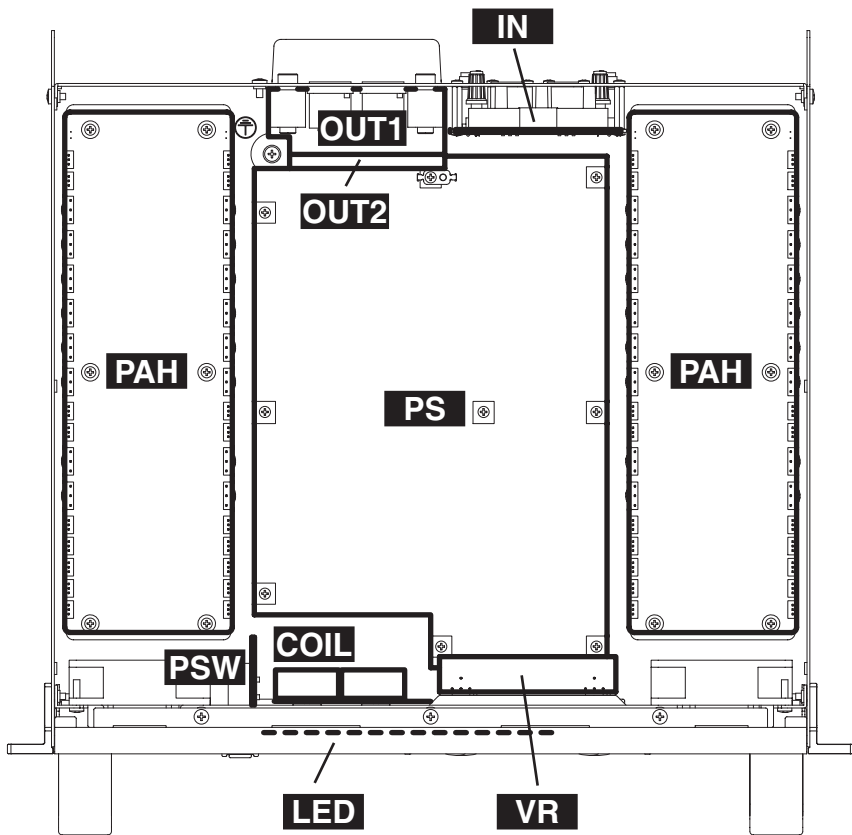
- ① [POWER] スイッチ/インジケータ
- ② [TEMP] インジケータ
- ③ [PROTECTION] インジケータ
- ④ [CLIP] インジケータ
- ⑤ [SIGNAL] インジケータ
- ⑥ ボリューム
- ⑦ [ **YSProcessing** ]インジケータ
- ⑧ 吸気口

・Rear Panel (リアパネル)

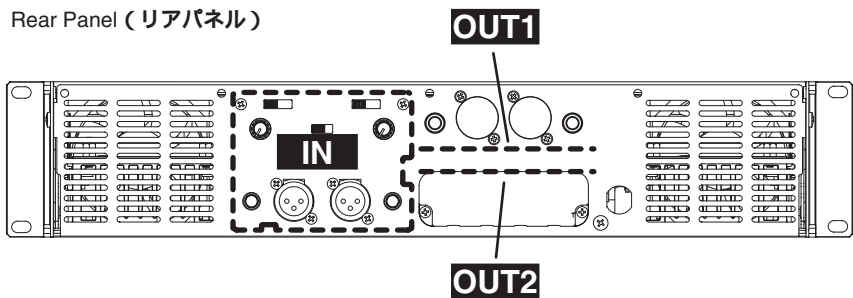


- |   |  |
|---|--|
| ① FILTER switch and[FREQUENCY] adjustment knob<br>(One pair for each channel) | ① FILTER スイッチ、[FREQUENCY]調整つまみ<br>(チャンネルA、B) |
| ② [ <b>VS Processing</b> ] ON/OFF switch                                      | ② [ <b>VS Processing</b> ]切り替えスイッチ           |
| ③ [INPUT] jacks (Channels A, B)   | ③ [INPUT]端子(チャンネルA、B)                        |
| ④ [STEREO/PARALLEL/BRIDGE] switch   | ④ [STEREO/PARALLEL/BRIDGE]モード切り替えスイッチ        |
| ⑤ [SPEAKERS] jacks  | ⑤ [SPEAKERS]端子                               |
| ⑥ GND terminal  | ⑥ GND 端子                                     |

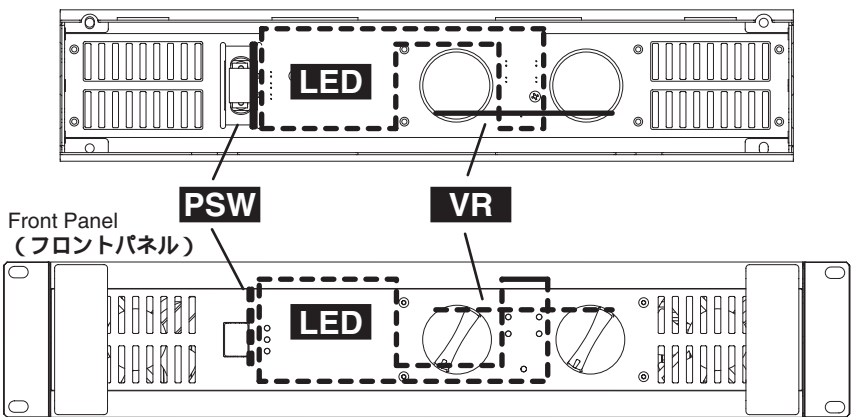
■ CIRCUIT BOARD LAYOUT & WIRING (ユニットレイアウト & 結線図)



Rear Panel (リアパネル)



The figure which looked at the front panel from the inner side (フロントパネルを内側から見た図)

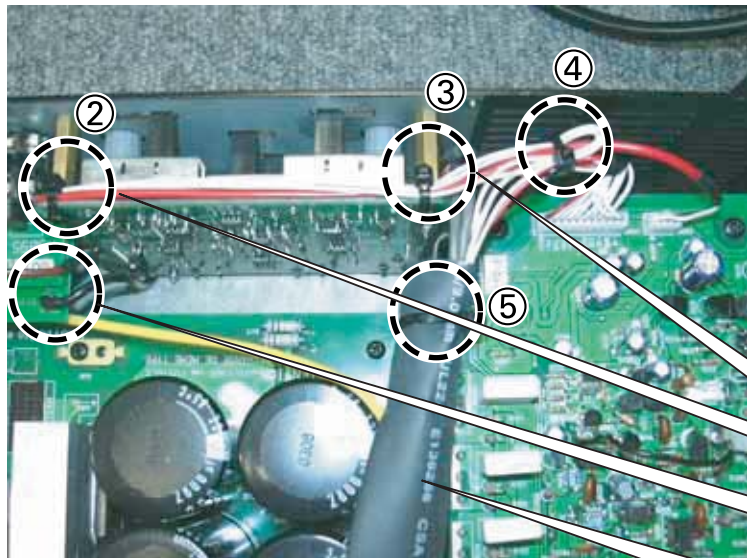








• Detail drawing (2)(3)(4)(5) ((2)(3)(4)(5)部詳細図)



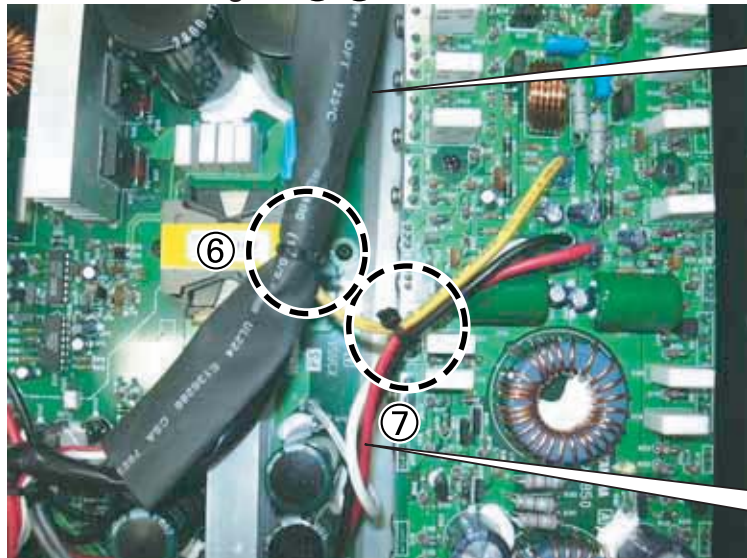
\* The following "wiring ass'y" are tied.  
(下記ワイヤーを束ねます)

|     |                           |
|-----|---------------------------|
| (2) | (WD35970)                 |
| (3) | (WD35970)                 |
| (4) | (WD35950,WD35970)         |
| (5) | (WD35950,WD35960,WD35970) |

ATTENTION:  
Tie the wires (WD35970) at the side of switch.  
(WD35970ワイヤーは各スイッチの横で束ねます)

Soldering (WD35980) (半田付け)

• Detail drawing (6)(7) ((6)(7)部詳細図)



ATTENTION:  
(WD35960, WD35970) are through the CH00440. (TUBE L=180mm)  
(WD35960,WD35970ワイヤーは(CH00440)<長さ180mmのチューブ>に通します)

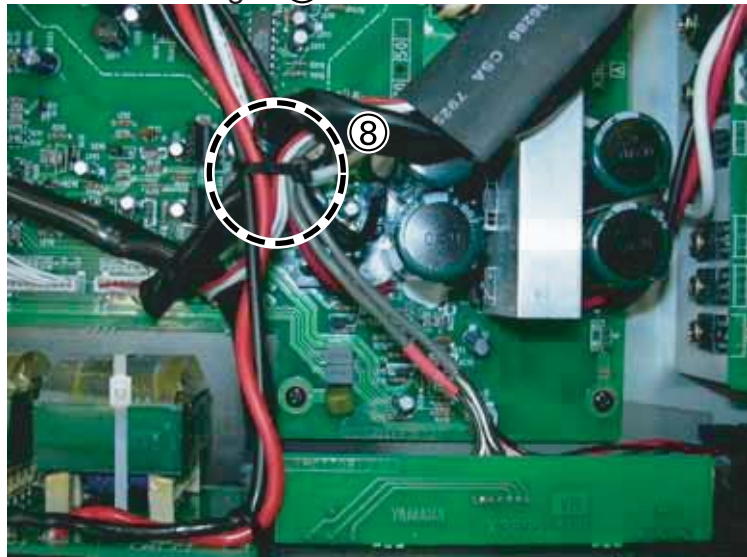
\* CH00440 is not a service parts.  
(CH00440はサービス部品ではありません)

\* The following "wiring ass'y" are tied.  
(下記ワイヤーを束ねます)

|     |                                   |
|-----|-----------------------------------|
| (6) | (WD35950,WD35960,ED35970,WD36090) |
| (7) | (WD36030,WD36040,W36050,WD36090)  |

Need twist of two rotations.  
(2回撚り合わせます)  
(WD36030,WD36040,WD36050)

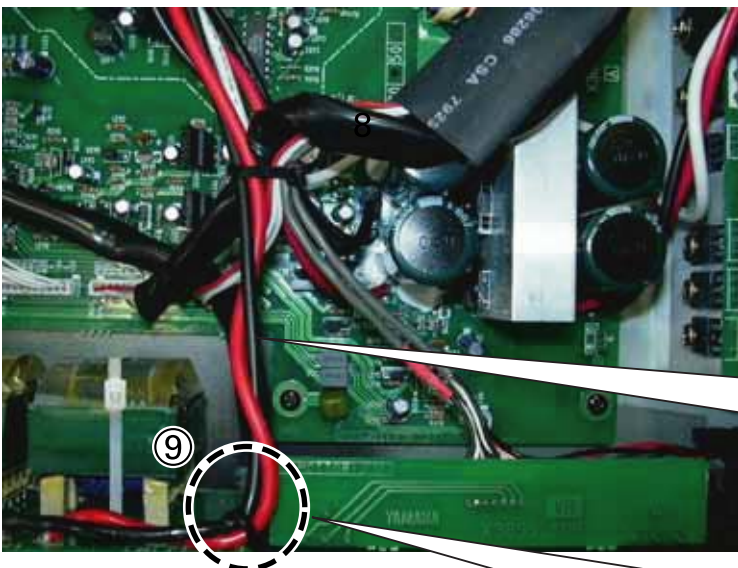
• Detail drawing (8) ((8)部詳細図)



\* The following "wiring ass'y" are tied.  
(下記ワイヤーを束ねます)

|     |   |
|-----|---|
| (8) | (WD35950,WD35960,WD35970,WD36000,WD36010x2,WD36020,WD36100,WD36110)<br>• (WD36100,WD36110):<br>J,H,B,CHN destination only.<br>(J,H,B,CHN仕向のみ)<br>• The wiring ass'y(WD35950) has to be tense condition from CN411 side to the tie of No.8.<br>(束線(WD35950)は、CN411側からNo.8の結束部へ引っ張ります。) |
|-----|---|

• Detail drawing ⑨ (⑨部詳細図)



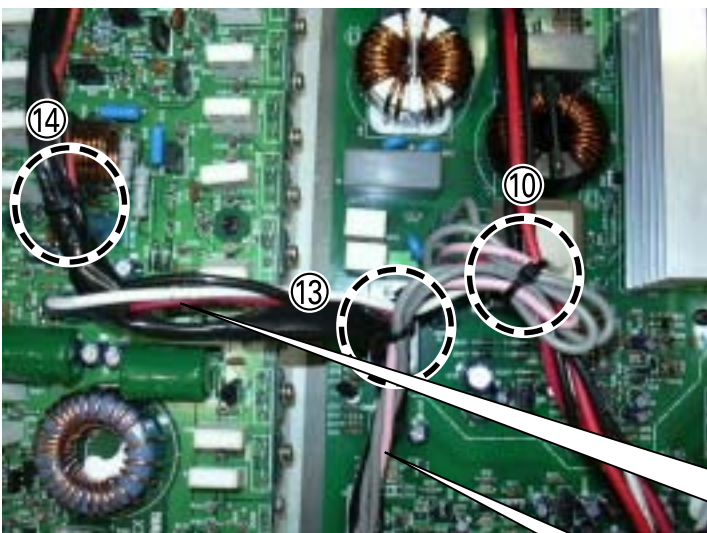
\* The following "wiring ass'y" are tied.  
(下記ワイヤーを束ねます)

|   |   |
|---|---|
| ⑨ | (WD36100,WD36110)<br>J,H,B,CHN destination only.<br>(J,H,B,CHN 仕向のみ)  |
|   | • These wiring ass'y has to be tense condition from tie of No.9 to the tie of No.8.<br>(束線は、No.9の結束部からNo.8の結束部へ引っ張ります。) |

Need twist of three rotations.  
(3回撚り合わせます)  
(WD36100,WD36110)



• Detail drawing ⑩ ⑬ ⑭ (⑩⑬⑭部詳細図)



\* The following "wiring ass'y" are tied.  
(下記ワイヤーを束ねます)

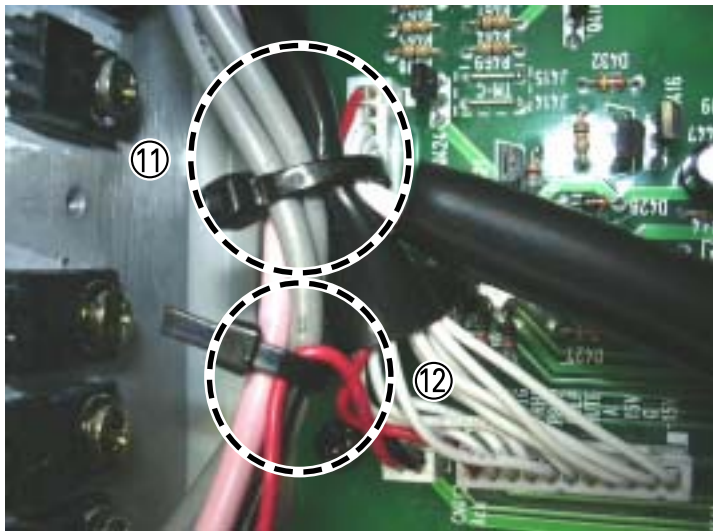
|   |  |
|---|--|
| ⑩ | (WD36000,WD36010x2,WD36020<br>WD36060x2,WD36070,WD36100<br>WD36110)    |
|   | • (WD36100,WD36110):<br>J,H,B,CHN destination only.<br>(J,H,B,CHN仕向のみ) |
| ⑬ | (WD35950,WD36000,WD36010<br>WD36020,WD36060x2,WD36070)                 |
| ⑭ | (WD35950,WD36080)  |

Need twist of two rotations.  
(2回撚り合わせます)  
(WD36000,WD36010,WD36020)

Need twist of three rotations.  
(3回撚り合わせます)  
(WD36060x2,WD36070)



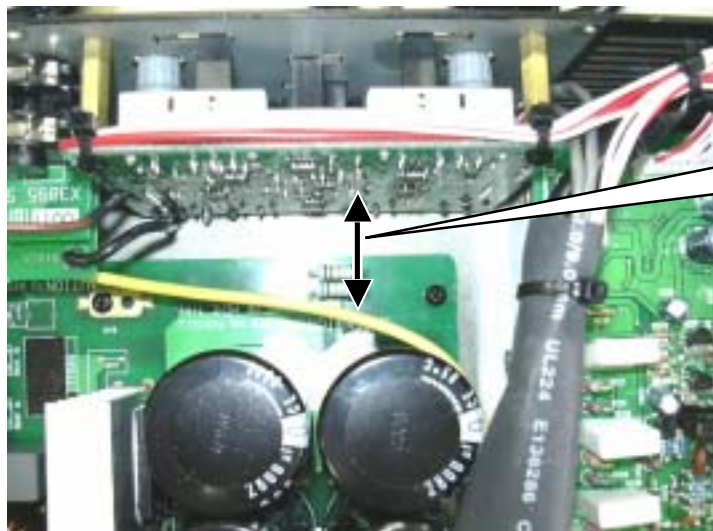
• Detail drawing ⑪ ⑫ (⑪⑫部詳細図)



\* The following "wiring ass'y" are tied.  
(下記ワイヤーを束ねます)

|   |  |
|---|--|
| ⑪ | (WD35940,WD38950,WD36060x2<br>WD36070)<br>• The wiring ass'y(WD35950) has to be<br>tense condition from CN412 side to<br>the tie of No.11.<br>(束線(WD35950)は、CN412側からNo.11<br>の結束部へ引っ張ります。) |
| ⑫ | (WD36060x2,WD36070,FAN WIRING)<br>• These wiring ass'y of fan has to be<br>tense condition from fan side to the<br>tie of No.12.<br>(これらの束線は、ファン側からNo.12<br>の結束部へ引っ張ります。)                  |

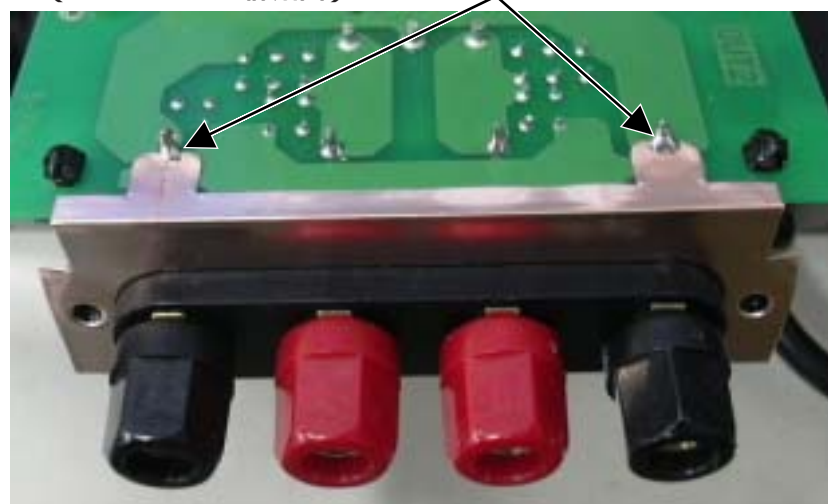
• W606



ATTENTION:  
Please detach the wiring ass'y(WD36090)  
from IN sheet.  
(束線(WD36090)はINシートから離してく  
ださい)

• Detail drawing OUT 2  
(OUT2シートの詳細図)

Soldering EARTHFILM.  
(アースフィルムを半田付けします)



• Connect of coils. (コイルワイヤーの接続)



\*Regarding to connect the wire of coil.  
(コイルワイヤーの接続について)

Please connect the Red wire to CN406.  
Please connect the Black wire to CN415.

(赤いワイヤーはCN406、黒いワイヤーは  
CN415へ接続してください)

## ■ DISASSEMBLY PROCEDURE (分解手順)

### 1. Rack Angle (Time required: about 1 min.)

- 1-1 Remove the three (3) screws marked [430] for each side.

The rack angle can then be removed. (Fig.1)

### 1. ラックアングル(所要時間: 約1分)

- 1-1 [430] のネジを左右3本ずつ外し、ラックアングルを外します。(Fig.1)

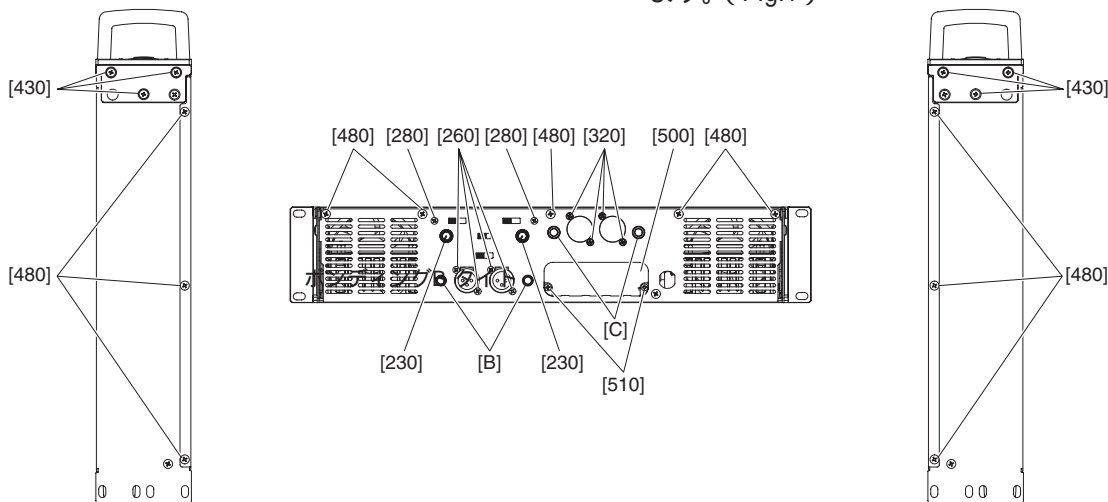
### 2. Top Cover (Time required: about 2 min.)

- 2-1 Remove the eleven (11) screws marked [480].

The top cover can then be removed. (Fig.1)

### 2. トップカバー(所要時間: 約2分)

- 2-1 [480] のネジ11本を外し、トップカバーを外します。(Fig.1)



[230]: VR Knob (V9665200) ノブVR (S)

[260]: Bonding Tapping Screw-B 3.0X10 MFZN2BL (VQ049800) ボンディングBタイト

[280]: Bind Head Tapping Screw-S 3.0X6 MFZN2BL (EP630210) +バインドSタイト

[320]: Flat Head Tapping Screw-B 3.0X8 MFZN2BL (EP600790) +皿Bタイト

[430]: Bind Head Screw 4.0X10 MFZN2BL (VA22160) +バインド小ネジ

[480]: Bind Head Tapping Screw-B 4.0X8 MFZN2BL (EG340190) +バインドBタイト

[510]: Bind Head Tapping Screw-S 3.0X6 MFZN2BL (EP630210) +バインドSタイト

(Fig.1)

### 3. PA Unit (Time required: about 5 min.)

- 3-1 Remove the rack angle. (See procedure 1.)

- 3-2 Remove the top cover. (See procedure 2.)

- 3-3 Remove the six screws marked [150] for each side from the bottom.

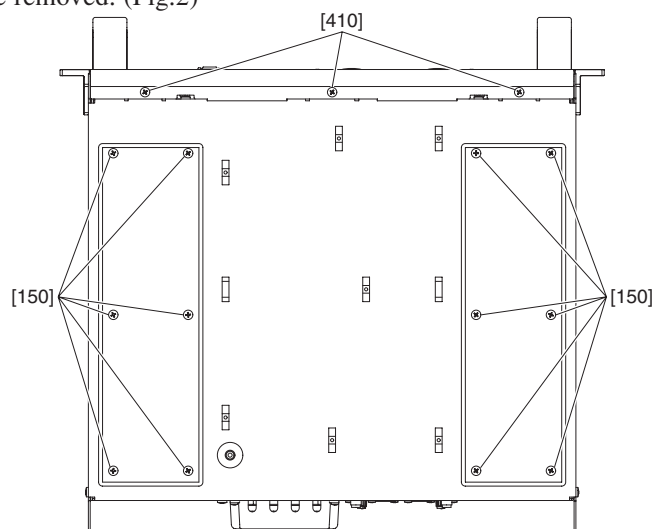
The PA units can then be removed. (Fig.2)

### 3. P A ユニット(所要時間: 約5分)

- 3-1 ラックアングルを外します。(1項参照)

- 3-2 トップカバーを外します。(2項参照)

- 3-3 本体の底面より[150]のネジを左右6本ずつ外し、各PAユニットを外します。(Fig.2)



[150]: Bind Head Tapping Screw-B 4.0X8 MFZN2BL (EG340190) +バインドBタイト

[410]: Bind Head Tapping Screw-B 4.0X8 MFZN2BL (EG340190) +バインドBタイト

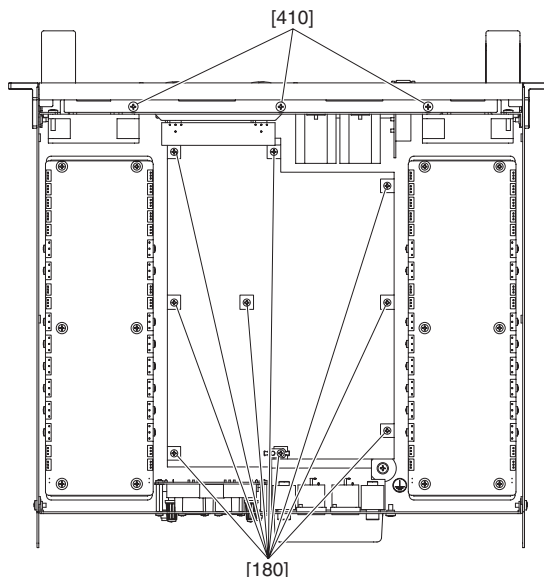
(Fig.2)

#### 4. PS Circuit Board (Time required: about 5 min.)

- 4-1 Remove the rack angle. (See procedure 1.)
- 4-2 Remove the top cover. (See procedure 2.)
- 4-3 Remove the nine (9) screws marked [180].  
The PS circuit board can then be removed. (Fig.3)

#### 4. PS シート(所要時間: 約5分)

- 4-1 ラックアングルを外します。(1項参照)
- 4-2 トップカバーを外します。(2項参照)
- 4-3 [180] のネジ9本を外し、PSシートを外します。(Fig.3)



[180]: Bind Head Tapping Screw-S 3.0X6 MFZN2BL (EP630210) +バインドSタイト  
[410]: Bind Head Tapping Screw-B 4.0X8 MFZN2BL (EG340190) +バインドBタイト

(Fig.3)

#### 5. IN Circuit Board (Time required: about 6 min.)

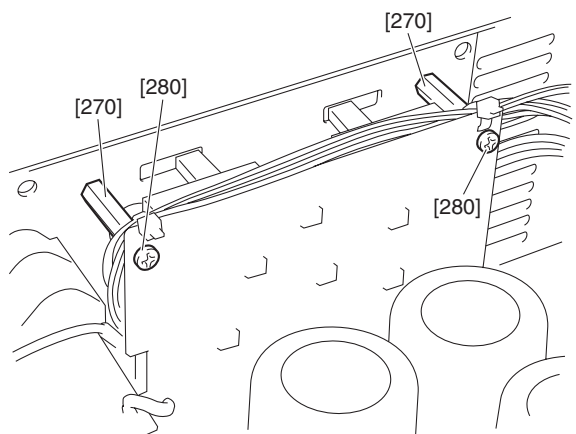
- 5-1 Remove the rack angle. (See procedure 1.)
- 5-2 Remove the top cover. (See procedure 2.)
- 5-3 Remove the four (4) screws marked [260] and the two (2) screws marked [280]. (Fig.1)
- 5-4 Remove the two (2) hexagonal nuts marked [B]. (Fig.1)
- 5-5 Remove the two (2) screws marked [280] to remove the two hex spacers marked [270]. (Fig.4)
- 5-6 Remove the two (2) VR knobs marked [230]. (Fig.1)
- 5-7 Because the IN circuit board and the OUT2 circuit board are connected by the connector assembly W301, it removes the solder of IN circuit board terminal W301A or OUT2 circuit board terminal W301B.  
The IN circuit board can then be removed.

#### 5. IN シート(所要時間: 約6分)

- 5-1 ラックアングルを外します。(1項参照)
- 5-2 トップカバーを外します。(2項参照)
- 5-3 [260] のネジ4本と[280] のネジ2本を外します。(Fig.1)
- 5-4 [B] の六角ナット2個を外します。(Fig.1)
- 5-5 [280] のネジ2本を外し、[270] の六角スペーサーを外します。(Fig.4)
- 5-6 [230] のノブ2個を外します。(Fig.1)
- 5-7 OUT2シートと束線W301で接続されていますので、INシート側端子W301AまたはOUT2側端子W301Bのハンダを外してINシートを外します。

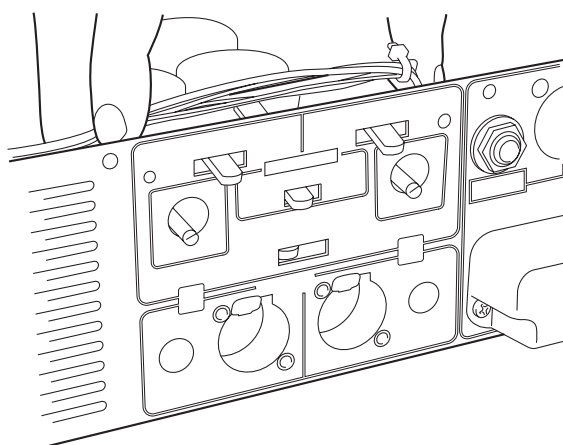
\* INシートを再度取り付けるときは、キャノンコネクタのツメをシャーシの外側に出した後、ジャックやスイッチをシャーシの穴に通します。(Fig.5)

\* When reinstalling the IN circuit board, let the hooks of the XLR connectors out of the chassis at first, and inserts the jacks or switches into the holes on the chassis. (Fig.5)



[270]: Hex Spacer H=24.5 B=5.5 (WD490100) 六角スペーサー  
 [280]: Bind Head Tapping Screw-S 3.0X6 MFZN2BL (EP630210) +バインドタイト

(Fig.4)



(Fig.5)

**6. OUT1 Circuit Board (Time required: about 4 min.)**

- 6-1 Remove the rack angle. (See procedure 1.)
- 6-2 Remove the top cover. (See procedure 2.)
- 6-3 Remove the four (4) screws marked [320]. (Fig.1)
- 6-4 Remove the two (2) hexagonal nuts marked [C].

The OUT1 circuit board can then be removed. (Fig.1)

\* The OUT1 circuit board and the OUT2 circuit board are connected by the connector assembly W607.

**6. OUT1 シート(所要時間: 約4分)**

- 6-1 ラックアングルを外します。(1項参照)
- 6-2 トップカバーを外します。(2項参照)
- 6-3 [320] のネジ4本を外します。(Fig.1)
- 6-4 [C] の六角ナット2個を外し、OUT1シートを外します。(Fig.1)

\* OUT1シートとOUT2シートは束線W607で接続されています。

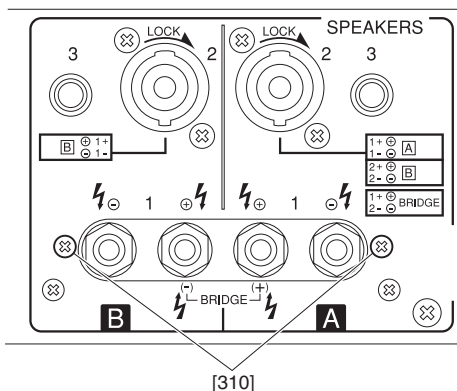
**7. OUT2 Circuit Board (Time required: about 5 min.)**

- 7-1 Remove the rack angle. (See procedure 1.)
- 7-2 Remove the top cover. (See procedure 2.)
- 7-3 Remove the OUT1 circuit board. (See procedure 6.)
- 7-4 Remove the two (2) screws marked [510].  
Remove the SP terminal cover marked [500]. (Fig.1)
- 7-5 Remove the two (2) screws marked [310]. (Fig.6)
- 7-6 Because the OUT2 circuit board and the IN circuit board are connected by the connector assembly W301, it removes the solder of terminal W301B.

The OUT2 circuit board (and the OUT1 circuit board) can then be removed.

**7. OUT2 シート(所要時間: 約5分)**

- 7-1 ラックアングルを外します。(1項参照)
- 7-2 トップカバーを外します。(2項参照)
- 7-3 OUT1シートを外します。(6項参照)
- 7-4 [510] のネジ2本を外し、[500] のSPターミナルカバーを外します。(Fig.1)
- 7-5 [310] のネジ2本を外します。(Fig.6)
- 7-6 INシートと束線W301で接続されていますので、端子W301Bのハンダを外してOUT2(およびOUT1)シートを外します。



[310]: Bind Head Tapping Screw-B 3.0X10 MFZN2BL (VQ049800) +ボンディングBタイト

(Fig.6)

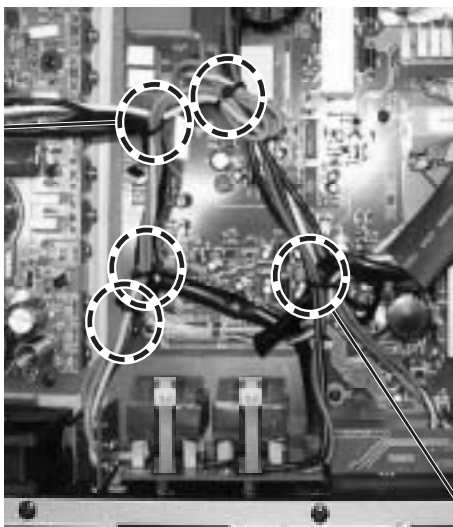


**8. Front Panel part (Time required: about 5 min.)**

- 8-1 Remove the rack angle. (See procedure 1.)
- 8-2 Remove the top cover. (See procedure 2.)
- 8-3 Cuts Cord Holder (5 Point) of the Connector assembly. (Fig.7)
- 8-4 Remove the six (6) screws marked [410]. (Fig.2, Fig.3)
- 8-5 Draws out in front of the front panel part.

**8. フロントパネル部(所要時間: 約5分)**

- 8-1 ラックアングルを外します。(1項参照)
- 8-2 トップカバーを外します。(2項参照)
- 8-3 束線のインシュロックタイ(5箇所)を切断します。(Fig.7)
- 8-4 [410]のネジ6本を外します。(Fig.2, Fig.3)
- 8-5 フロントパネルを前方へ引き出します。



Front Panel side (フロントパネル側)

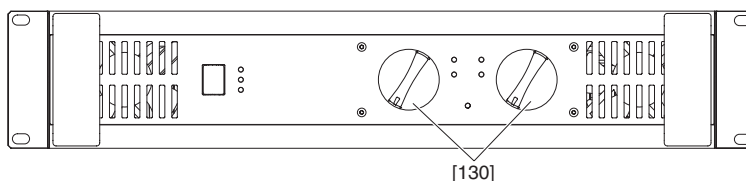
(Fig.7)

**9. VR Circuit Board (Time required: about 6 min.)**

- 9-1 Remove the front panel part. (See procedure 8.)
- 9-2 Remove the attenuator knobs marked [130]. (Fig.8)
- 9-3 Remove the two (2) hexagonal nuts marked [A]. The VR circuit board can then be removed. (Fig.9)

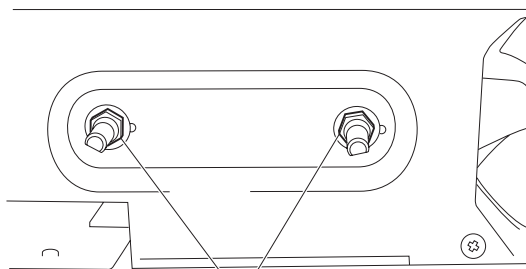
**9. VRシート(所要時間: 約6分)**

- 9-1 フロントパネル部を外します。(8項参照)
- 9-2 [130]のアッテネーターノブを外します。(Fig.8)
- 9-3 [A]の六角ナット2個を外し、VRシートを外します。(Fig.9)



[130]: Attenuator Knob (WD490700) アッテネーターノブ印刷上

(Fig.8)

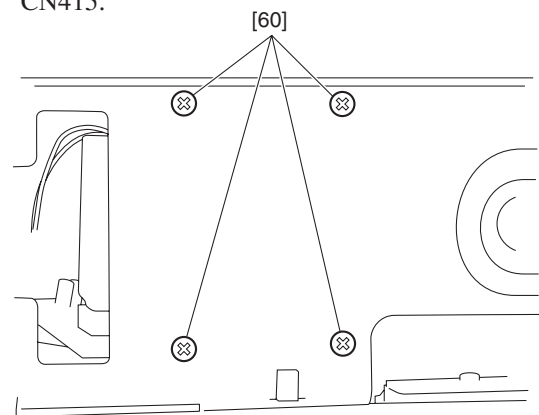


[A]  
(Fig.9)

**10. Coil circuit board (Time required: about 7 min.)**

- 10-1 Remove the front panel part. (See procedure 8.)
- 10-2 Remove the PS circuit board. (See procedure 4.)
- 10-3 Remove the four (4) screws marked [60].  
The coil circuit board can then be removed. (Fig.10)
- 10-4 Remove the four (4) hexagonal nuts marked [70].  
The four (4) spacers can then removed marked [65]. (Fig.11)

\*When reinstalling the COIL circuit board, connect the Red wire to CN406 and the Black wire to CN415.

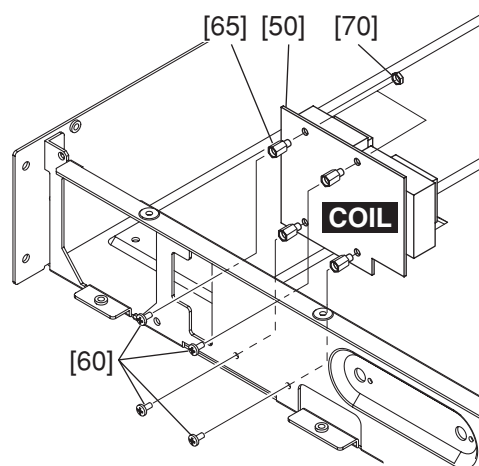


[60]: Bind Head Tapping Screw-S 3.0X6 MFZN2BL (EP630210)  
+バインドSタイト

(Fig.10)

**10. コイルシート(所要時間: 約7分)**

- 10-1 フロントパネル部を外します。(8項参照)
  - 10-2 PSシートを外します。(4項参照)
  - 10-3 [60] のネジ4本を外し、コイルシートを外します。( Fig.10 )
  - 10-4 [70]の六角ナット4個を外し、[65] の六角スペーサ4本を外します。( Fig.11 )
- \*コイルを再度取り付けるとき、コイルシートのワイヤー '赤'はCN406、'黒'はCN415へ接続してください。



[60]: Bind Head Tapping Screw-S 3.0X6 MFZN2BL (EP630210)  
+バインドSタイト

[65]:Spacer H=7.5 B=5.5 (WD490000) 六角スペーサー  
[70]:Hexagonal Nuts 4.0 MFZN2BL (03760280) 六角ナット

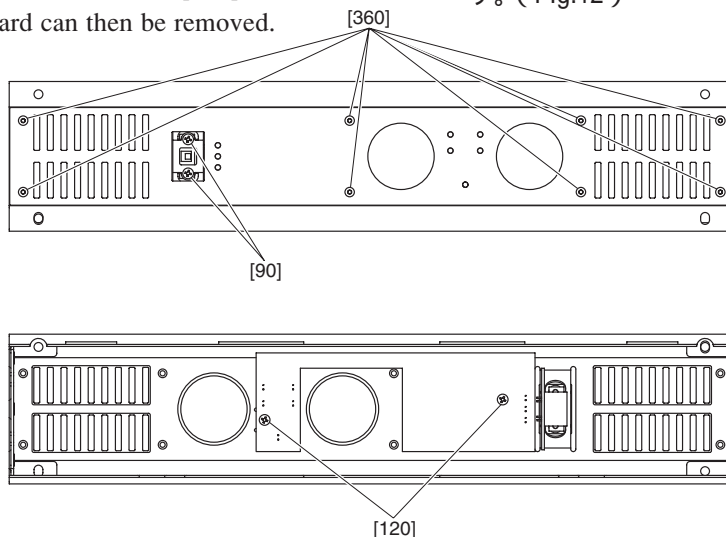
(Fig.11)

**11. LED Circuit Board (Time required: about 5 min.)**

- 11-1 Remove the front panel part. (See procedure 8.)
- 11-2 Remove the two (2) screws marked [120].  
The LED circuit board can then be removed. (Fig.12)

**11. LEDシート(所要時間: 約5分)**

- 11-1 フロントパネル部を外します。(8項参照)
- 11-2 [120] のネジ2本を外してLEDシートを外します。( Fig.12 )



[90]: Bind Head Tapping Screw-S 3.0X6 MFZN2BL (EP630210)+バインドSタイト  
[120]: Bind Head Tapping Screw-S 3.0X6 MFZN2BL (EP630210)+バインドSタイト  
[360]: Hex Socket Tapping Screw-S3.0X10 MFZN2BL (WD345200)六角穴付きSタイト

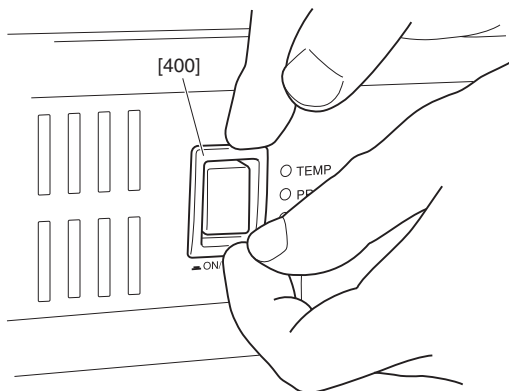
(Fig.12)

**12. PSW Circuit Board (Time required: about 10 min.)**

- 12-1 Remove the front panel part. (See procedure 8.)
- 12-2 Remove the power switch escutcheon marked [400]. (Fig.13)
- 12-3 It presses lightly from the panel back and remove the power switch knob marked [100].

\* When it is hard to remove the power switch knob, insert an L-shaped rod into the gap and pull out the knob as shown the illustration. (Fig.14)  
Be careful so as not to bruise a panel and a knob at this time.

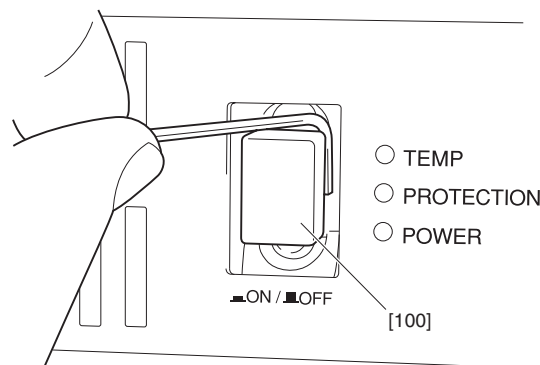
- 12-4 Remove the two (2) screws marked [90].  
The PSW circuit board can then be removed. (Fig.12)



[400]: Power Switch Escutcheon (WD345700)  
PSWエスカッション  
(Fig.13)

**12. PSW シート(所要時間: 約10分)**

- 12-1 フロントパネル部を外します。(8項参照)
- 12-2 [400] のPSW エスカッションを外します。( Fig.13 )
- 12-3 パネル裏面から軽く押し出して[100] のPSW ノブを外します。  
\* 外しにくいときは、図で示すように隙間からL型の棒などを挿入し、PSW ノブを引き出して外します。( Fig.14 )  
このときパネルやノブへ傷をつけない様に注意してください。
- 12-4 [90] のネジ2本を外し、PSW シートを外します。( Fig.12 )



[100]: Power Switch Knob (WD345600) PSW ノブ  
(Fig.14)

**13. Handle (Time required: about 6 min.)**

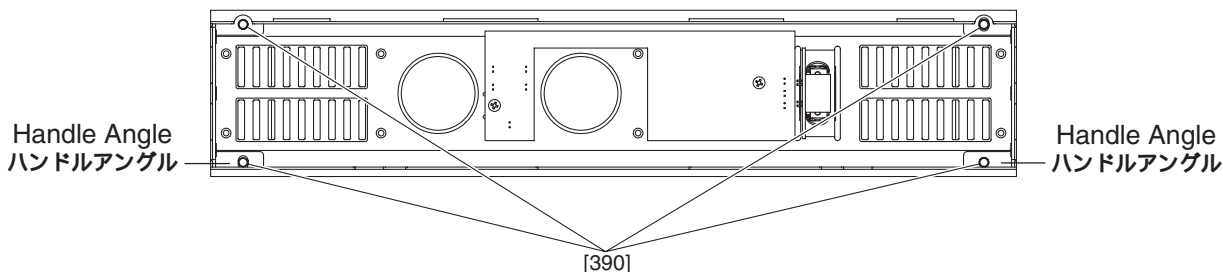
- 13-1 Remove the front panel part. (See procedure 8.)
- 13-2 Remove the two (2) screws marked [390] for each side.  
The handles can then be removed. (Fig.15)

\*The handle angle is removed simultaneously, at this time.

**13. ハンドル(所要時間: 約6分)**

- 13-1 フロントパネル部を外します。(8項参照)
- 13-2 [390] のネジを左右2本ずつ外し、ハンドルを外します。( Fig.15 )

\*この時、ハンドルアングルも同時に外れます。



[390]: Bind Head Screw SP 5.0X16 MFZN2BL (VU68800)+バインド小ネジ  
(Fig.15)

**14. Disassemble of Front Panel 1 and Front Panel 2 (Time required: about 8 min.)**

- 14-1 Remove the front panel part. (See procedure 8.)
- 14-2 Remove the handles. (See procedure 13.)
- 14-3 Remove the eight (8) hex socket tapping screws marked [360].  
The front panel 1 and the front panel 2 can then be disassembled. (Fig.12)

**14. フロントパネル1 印刷上り、フロントパネル2 印刷上りの分解(所要時間: 約8分)**

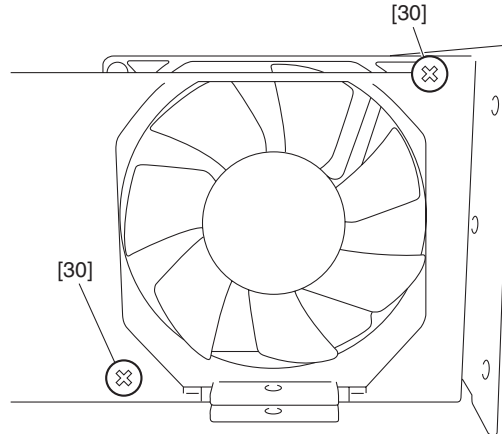
- 14-1 フロントパネル部を外します。(8項参照)
- 14-2 ハンドルを外します。(13項参照)
- 14-3 [360] の六角穴付きS タイプ8 本を外し、フロントパネル1印刷上りとフロントパネル2印刷上りを分解します(Fig.12)。

**15. Fan (Time required: about 12 min.)**

- 15-1 Remove the front panel part. (See procedure 8.)
- 15-2 Remove the PA unit located on the same side as the fan to remove. (See procedure 3.)
- 15-3 Remove the two (2) screws marked [30] for each side.  
Fans can then be removed. (Fig.16)

**15. DCファン(所要時間: 約12分)**

- 15-1 フロントパネル部を外します。(8項参照)
- 15-2 外すDC ファンと同じ側のPA ユニットのを外します。(3項参照)
- 15-3 [30] のネジを左右2 本ずつ外し、DC ファンを外します。(Fig.16)



[30]: Bind Head Screw SP 4.0X16 MFZN2Y (VB764900) + バインド小ネジ

(Fig.16)

## ■ IC BLOCK DIAGRAM (IC ブロック図)

### ● NJM2068MD-TE2 (X3505A00)

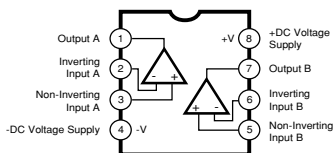
Dual Operational Amplifier

P5000S IN: IC301, IC302, IC303, IC304,  
IC305, IC306, IC307

PAH: IC201

P7000S IN: IC301, IC302, IC303, IC304,  
IC305, IC306, IC307

PAH: IC201

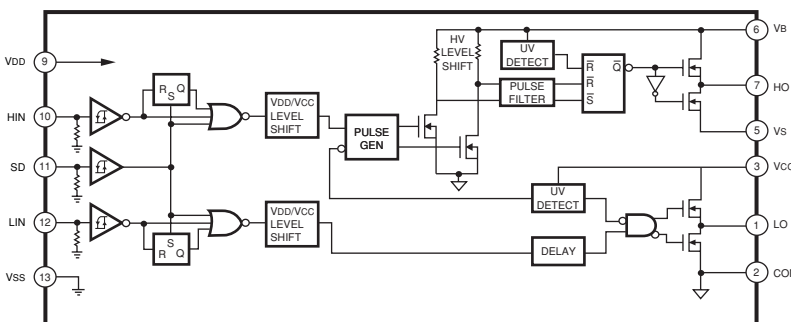
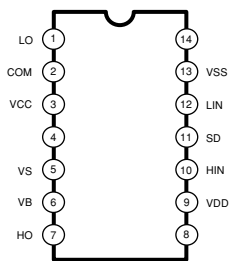


### IR2110 (X2382A00)

#### ● DRIVER

P5000S PS: IC402

P7000S PS: IC402

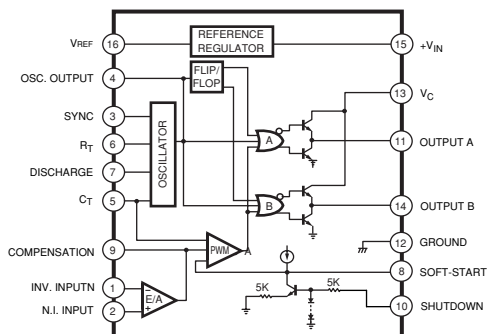
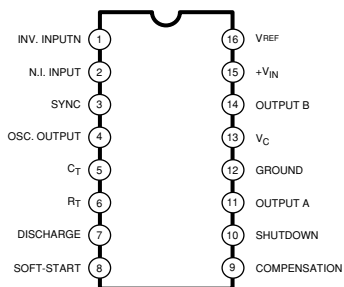


### ● SG3525AN (X2383A00)

Regulating Pulse Width Modulator

P5000S PS: IC401

P7000S PS: IC401

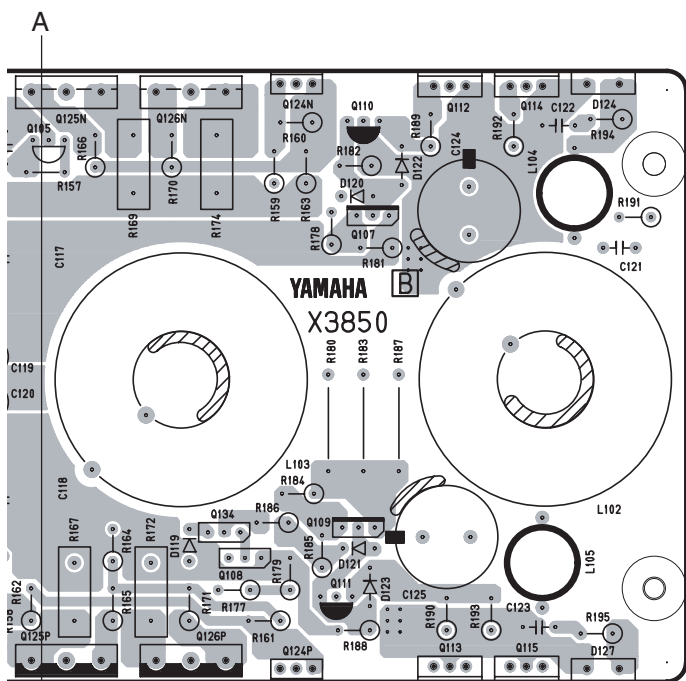


## ■ CIRCUIT BOARDS (シート基板図)

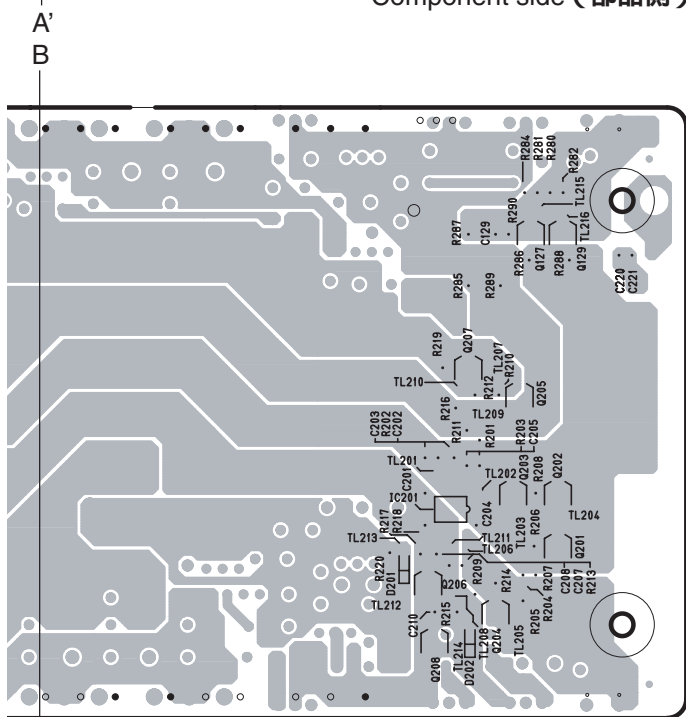
### CONTENTS (目次)

|                                      |    |
|--------------------------------------|----|
| ● PAH Circuit Board (X3850B0) .....  | 23 |
| ● PS Circuit Board (X5600A0) .....   | 25 |
| ● IN Circuit Board (X3501C0) .....   | 29 |
| ● LED Circuit Board (X3895C0) .....  | 30 |
| ● OUT1 Circuit Board (X3895C0) ..... | 31 |
| ● OUT2 Circuit Board (X3895C0) ..... | 32 |
| ● PSW Circuit Board (X3895C0) .....  | 33 |
| ● VR Circuit Board (X3895C0) .....   | 33 |
| ● COIL Circuit Board (X4945A0) ..... | 34 |





Component side (部品側)



Pattern side (パターン側)

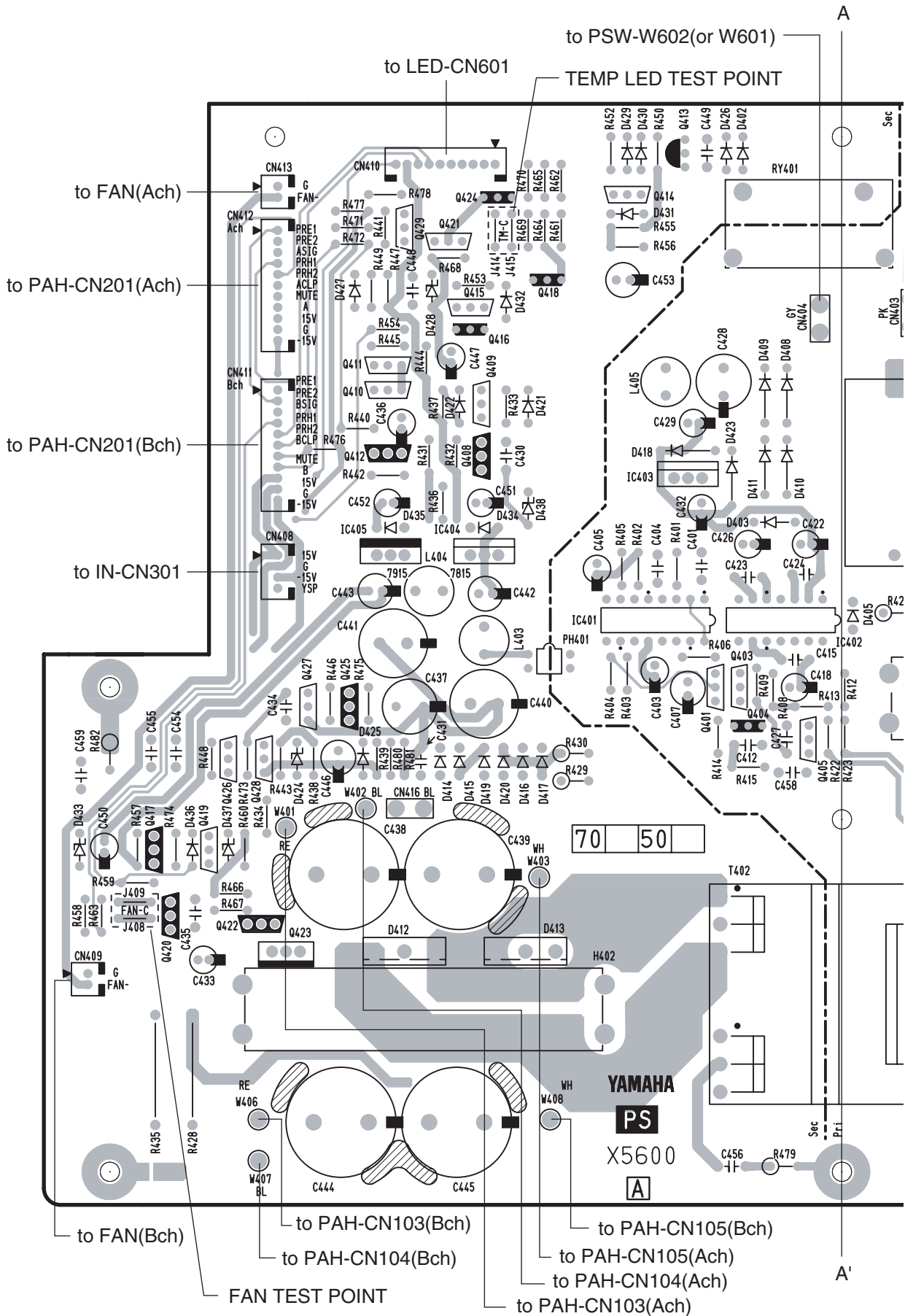
Following semi-conductors are installed for the PA unit.  
(下記半導体はPAユニットで取付されます。)

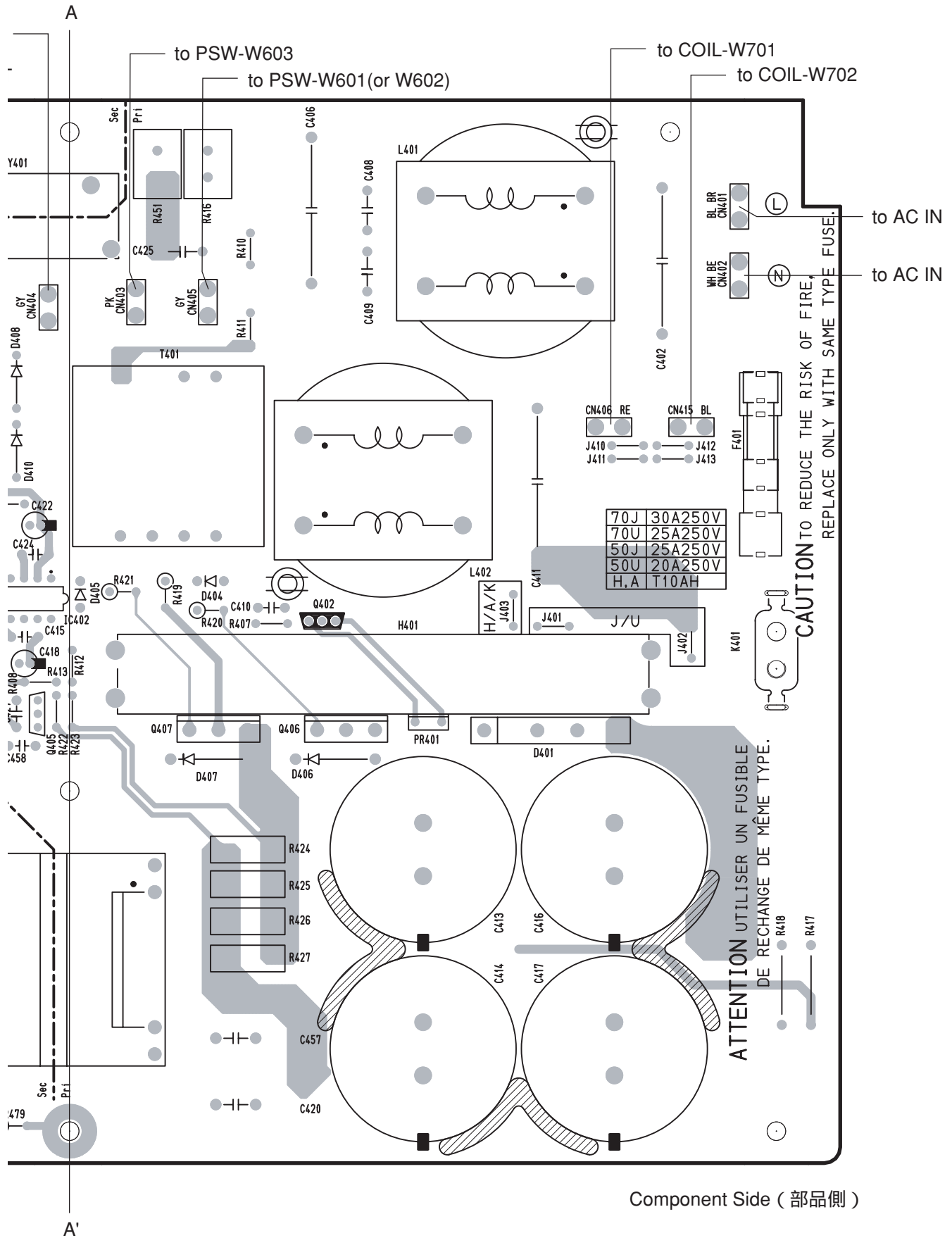
| ref.  | P5000S | P7000S |
|-------|--------|--------|
| D124  | ○      | ○      |
| D125  | ○      | ○      |
| D126  | ○      | ○      |
| D127  | ○      | ○      |
| Q112  | ○      | ○      |
| Q113  | ○      | ○      |
| Q114  | ○      | ○      |
| Q115  | ○      | ○      |
| Q117N | ○      | ○      |
| Q117P | ○      | ○      |
| Q118N | ○      | ○      |
| Q118P | ○      | ○      |
| Q119N | ○      | ○      |
| Q119P | ○      | ○      |
| Q120N | ○      | ○      |
| Q120P | ○      | ○      |
| Q121N | ○      | ○      |
| Q121P | ○      | ○      |
| Q122N | ○      | ○      |
| Q122P | ○      | ○      |
| Q123N | —      | ○      |
| Q123P | —      | ○      |
| Q124N | ○      | ○      |
| Q124P | ○      | ○      |
| Q125N | ○      | ○      |
| Q125P | ○      | ○      |
| Q126N | ○      | ○      |
| Q126P | ○      | ○      |
| Q218  | ○      | ○      |
| PR201 | ○      | ○      |
| PR202 | ○      | ○      |

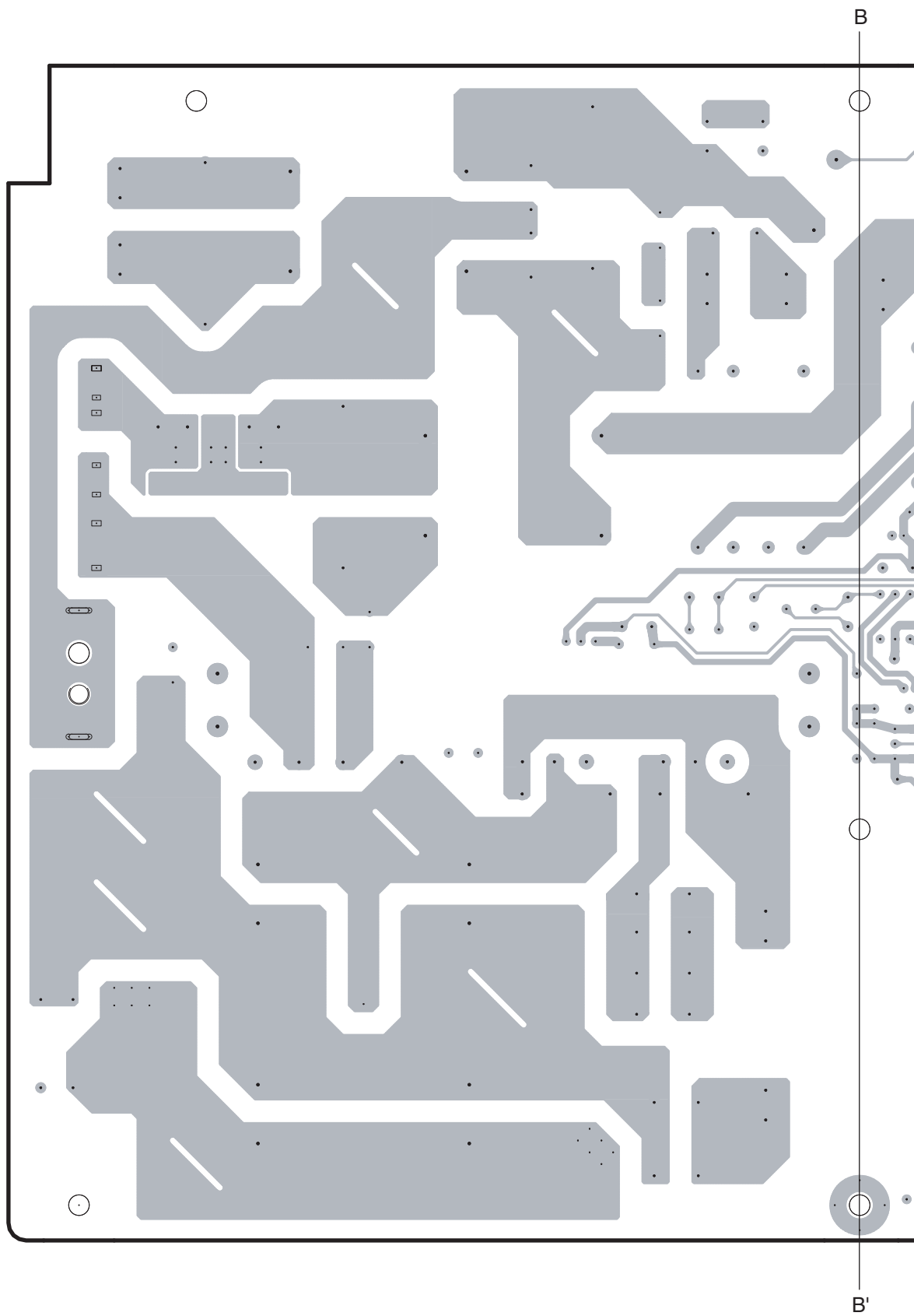
○ :Installed    — :not installed

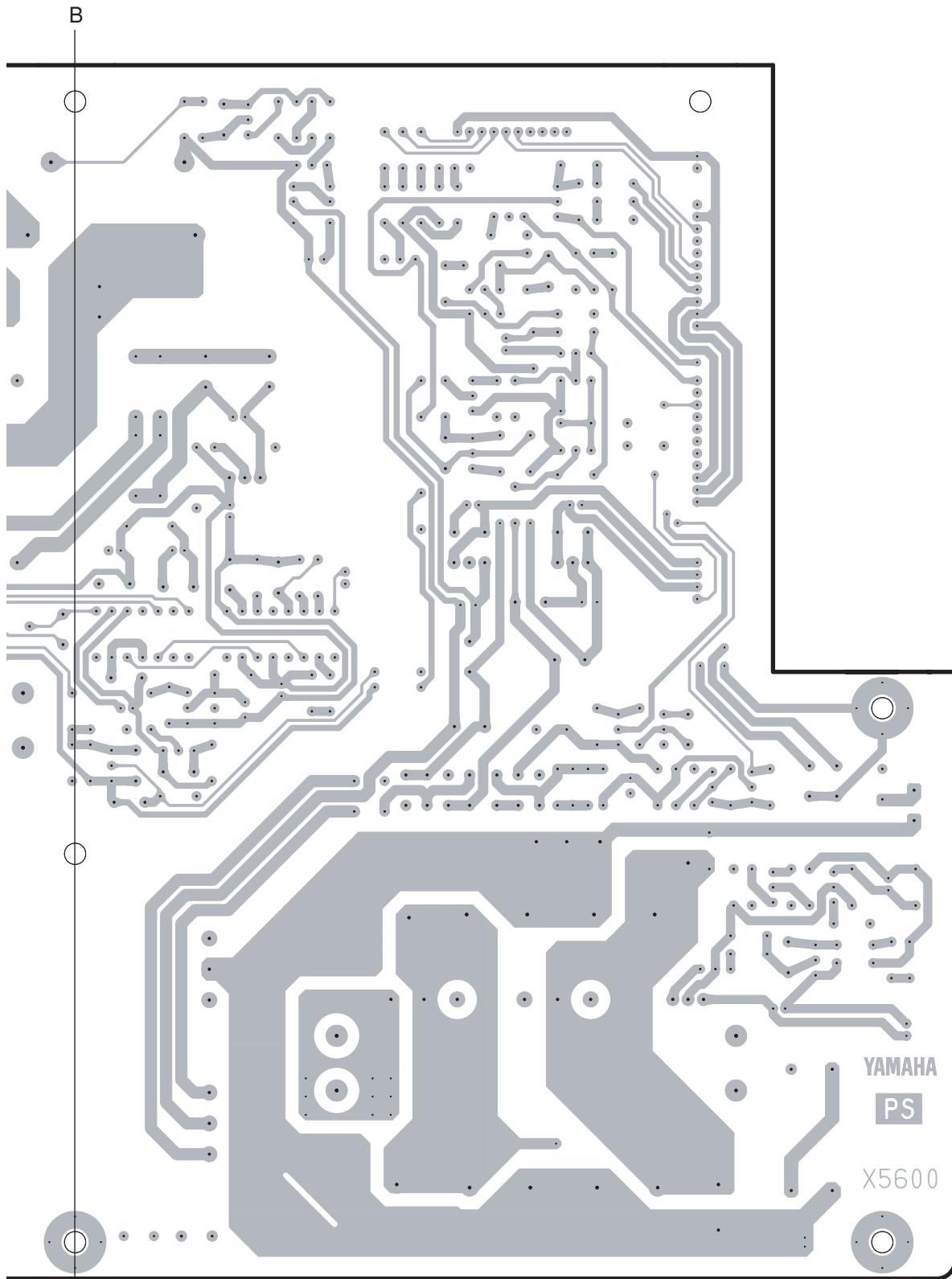


• PS Circuit Board







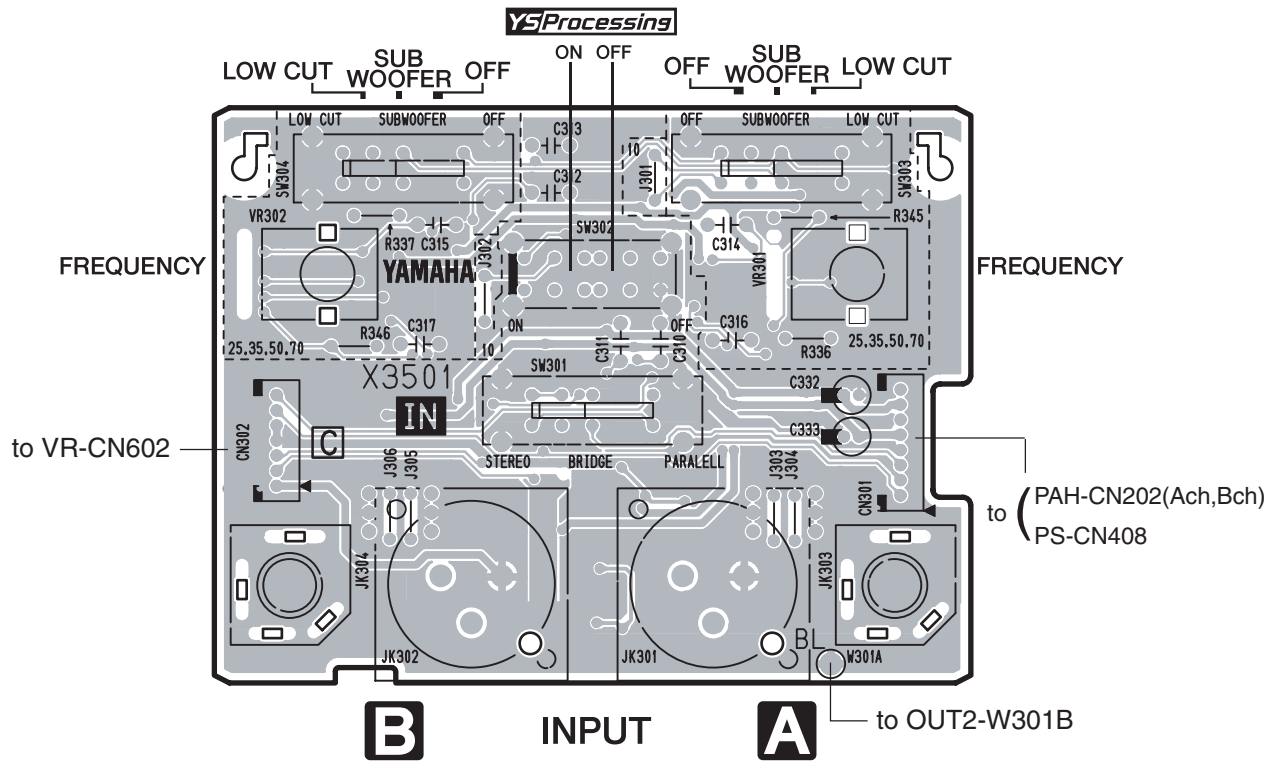


Pattern Side (パターン側)

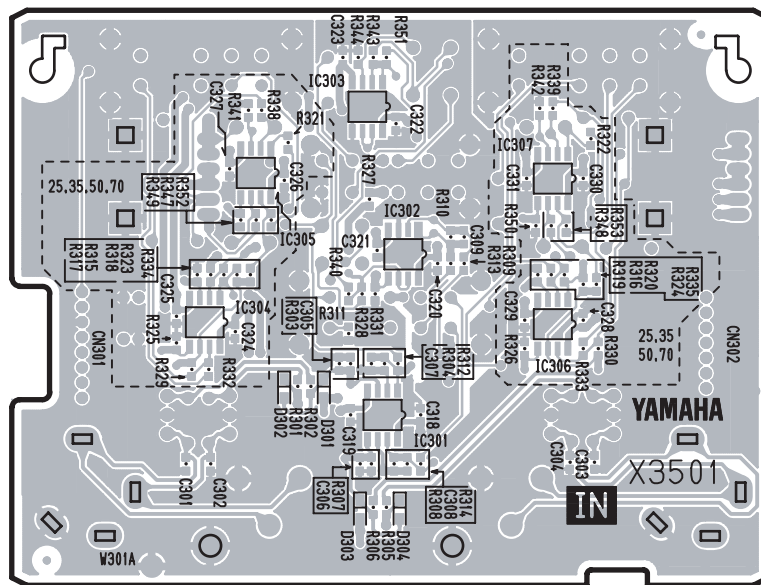
PS: 2NAP-WD35180  $\triangle$  (P5000S)

PS: 2NAP-WD35180  $\triangle$  (P7000S)

• IN Circuit Board

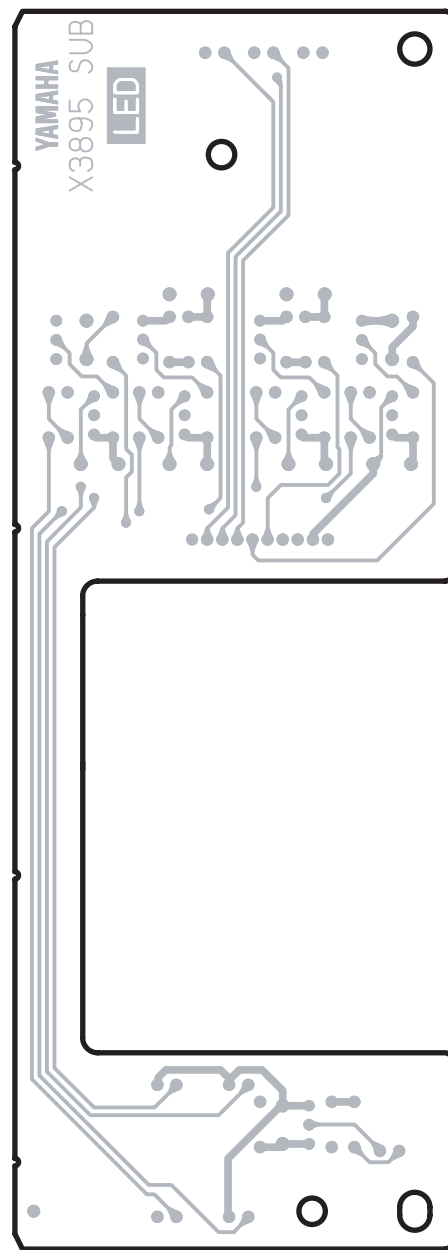
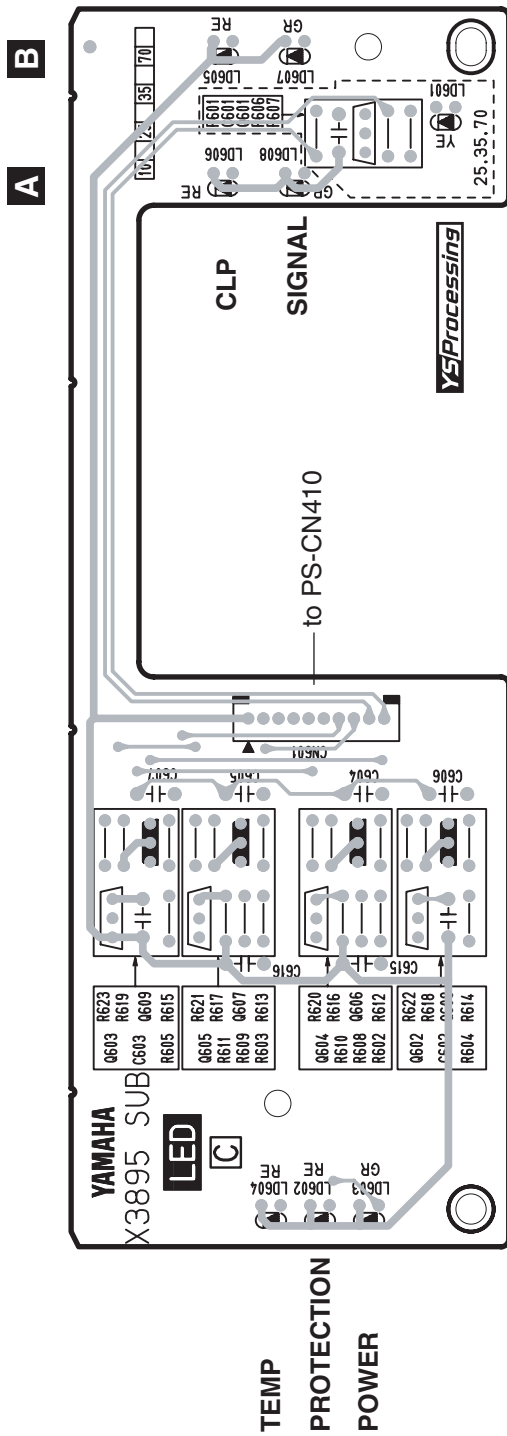


Component Side (部品側)



Pattern Side (パターン側)

• LED Circuit Board

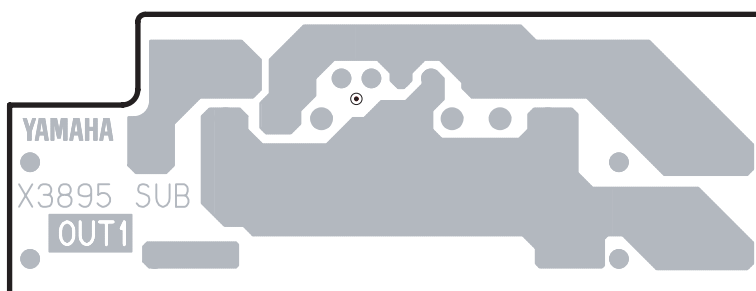
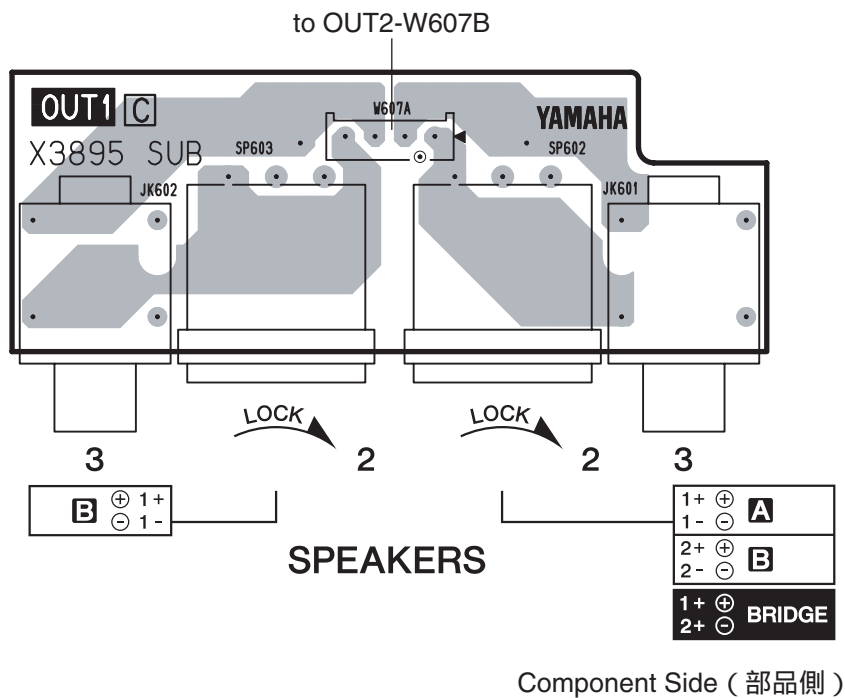


Pattern Side (パターン側)

As for Ver B, some silk prints are different.  
Ver. Bはシルク印刷が若干異なります。

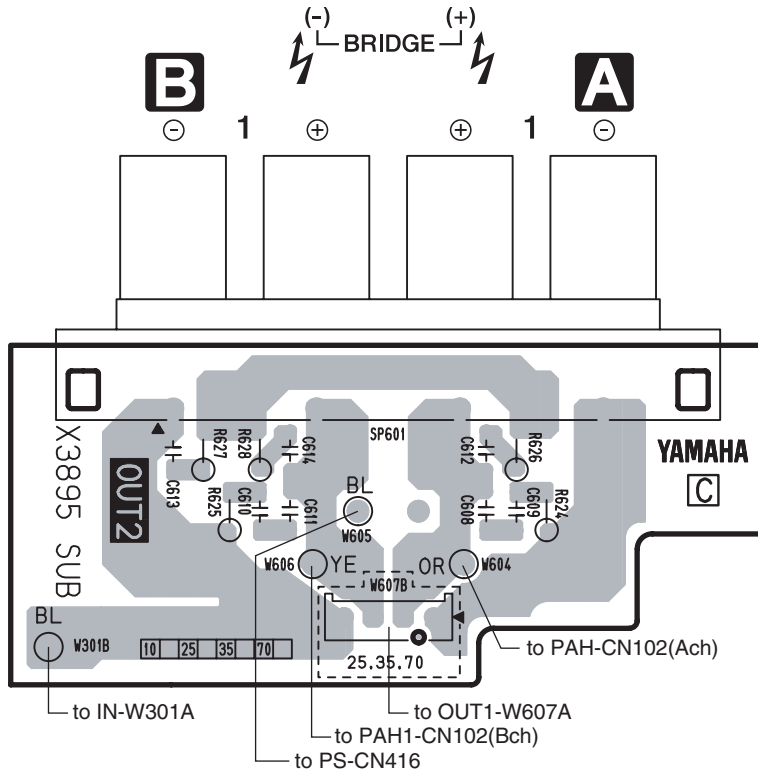
Component Side (部品側)

• OUT1 Circuit Board

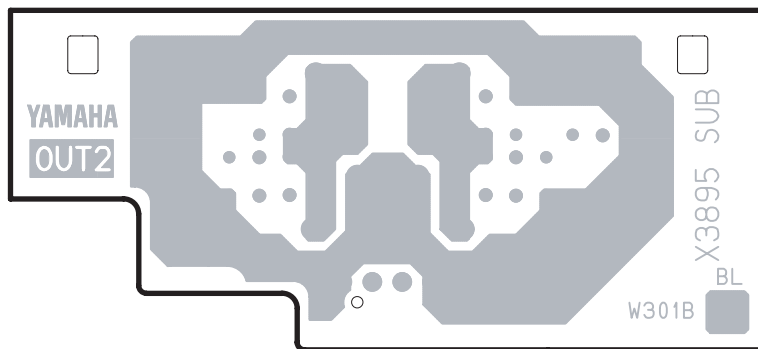


As for Ver B, some silk prints are different.  
Ver. Bはシルク印刷が若干異なります。

• OUT2 Circuit Board



Component Side (部品側)

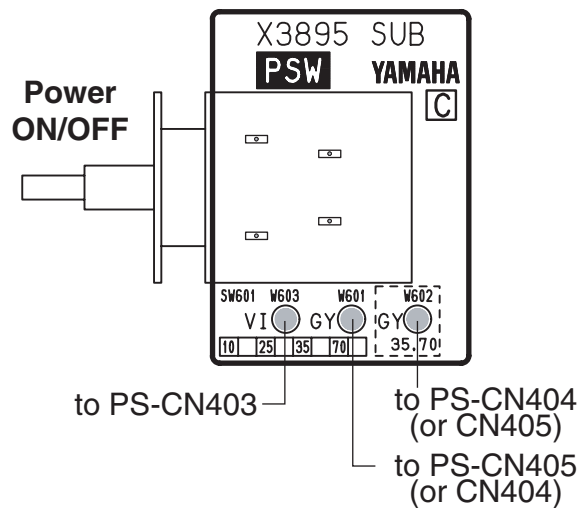


Pattern Side (パターン側)

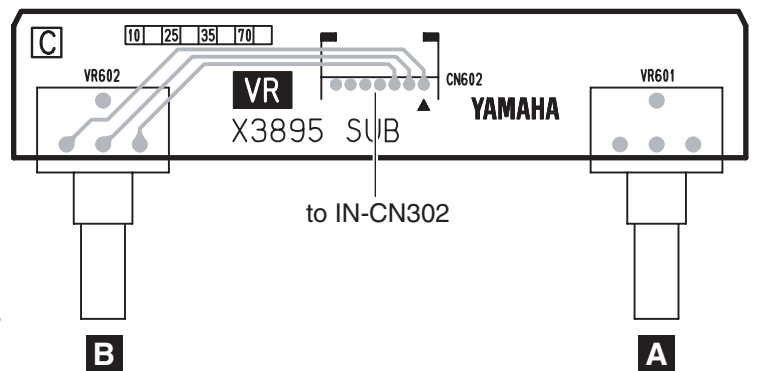
As for Ver B, some silk prints are different.  
Ver. Bはシルク印刷が若干異なります。



• PSW Circuit Board

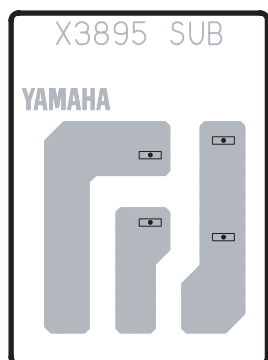


• VR Circuit Board



Component Side (部品側)

Component Side (部品側)



Pattern Side (パターン側)

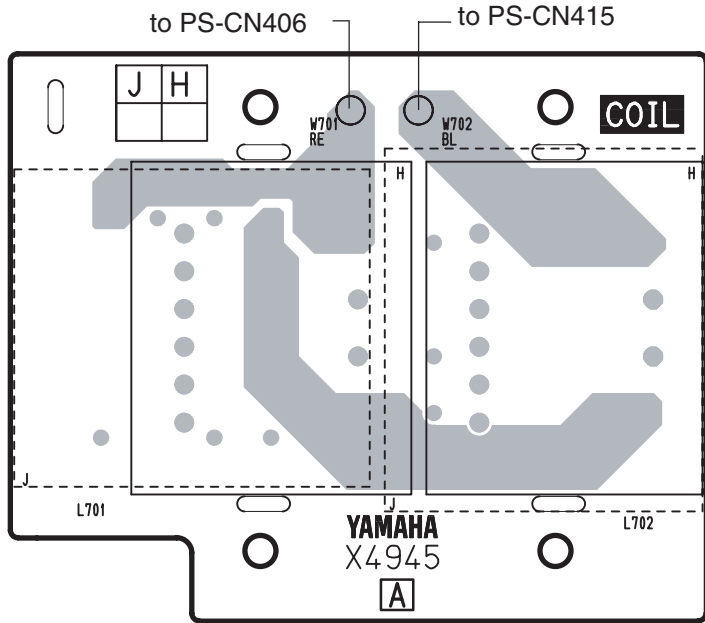
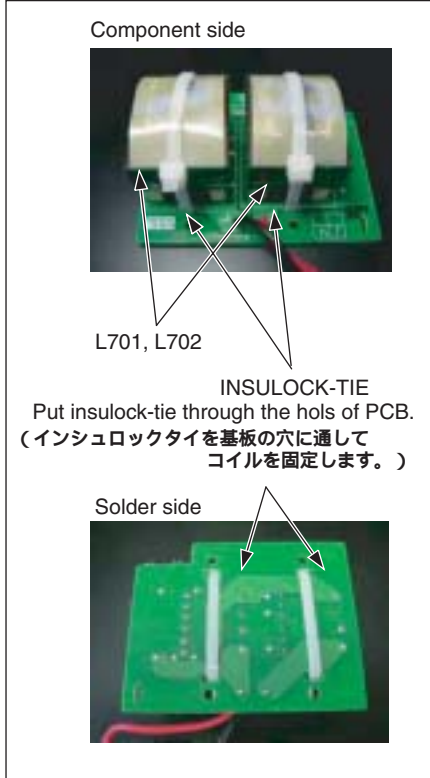


Pattern Side (パターン側)

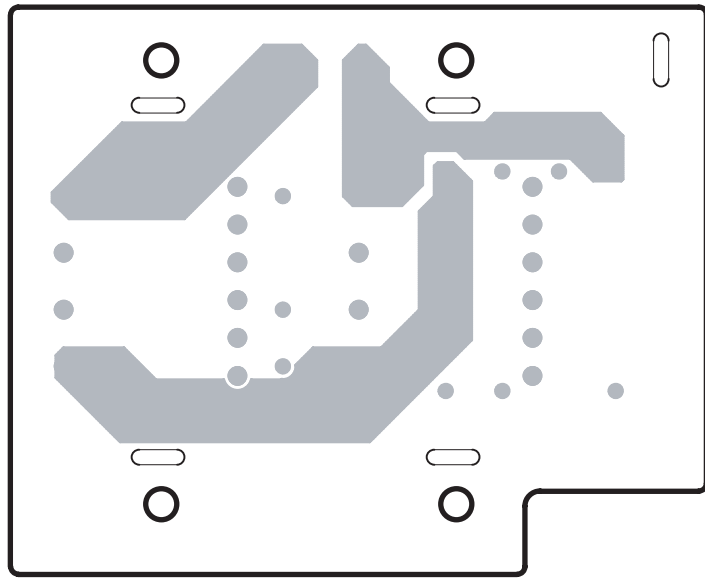
As for Ver B, some silk prints are different.  
Ver. Bはシルク印刷が若干異なります。

• COIL Circuit Board

H destination(H 仕向)



Component Side  
(部品側)



Pattern Side  
(パターン側)

## ■ INSPECTION

### 1. Scope

- This inspection specifications is applied to the power amplifier P5000S/P7000S.
- \* Refer to P42 “The switch and adjustment part” for details in the adjustment part.

### 2. Preparation for STEREO/PARALLEL mode

|                          |  |
|--------------------------|--|
| Attenuator               | : "0"(MAX)                                     |
| Input terminal           | : cannon connector 2PIN-HOT/3PIN-COLD/1PIN-GND |
| MODE switch              | : STEREO                                       |
| SUBWOOFER/LOW CUT switch | : OFF  |
| YS Processing switch     | : OFF  |
| Load resistor            | : 8ohms +/- 1%                                 |

Unless otherwise specified, the operation shall be both channels drive.

DIN AUDIO filter shall be used for the noise level measurements.

Unless otherwise specified, the input signal shall be high quality sine wave.

### 3. Inspection and Adjustment

#### 3.1 POWER LED, PROTECTION LED and Power on muting time

POWER LED and PROTECTION LED shall light when the POWER switch is turned on.  
2.5 +/- 1 seconds after the power switch is turned on, PROTECTION LED shall lights off.

#### 3.2 Fan and TEMPLED

The fan shall operate when short circuit on the two jumper wires that mounted of PS circuit board marked "FAN-C". The TEMP LED shall lights up when short circuit on the two jumper wires that marked "TM-C".

#### 3.3 Idle current

Connect the input terminal to the GROUND and adjust VR201 on the PAH circuit board that the DC voltage of Vb between the pin1 and pin2 of CN101 shall be 0.275 +/- 0.025mV.  
After finishing all inspections, adjust the Vb again to 0.5 +/- 0.1mV.  
This adjustment should be performed in both channels.

#### 3.4 DC Voltage of output terminal

Connect the input terminal to the GROUND and measure the DC voltage Vdc of the output terminal shall be 0 +/- 75mV.

#### 3.5 Gain

The output voltage should be +22.1 +/- 0.5dBu when input signal is 1kHz, -10.0dBu.  
This inspection shall be performed on PARALLEL mode.  
Don't feed input signal to channel B on PARALLEL mode.  
Set the input attenuator to -10dB. Input signal is 1kHz, -10dBu.  
The output voltage shall be 12.0 +/- 3.0dB.

#### 3.6 Frequency response

Input signals are each 20Hz, 1kHz and 20kHz, -10dBu.  
The output voltage shall be 0.0 +/- 0.5dB at 20Hz, -0.5 +/- 0.5dB at 20kHz compared to the 1kHz.  
Set MODE switch to PARALLEL.  
The inspection process of SUB WOOFER and LOW CUT position as follows.

- 1) channel A 25Hz
- 2) channel A 150Hz
- 3) channel B 25Hz
- 4) channel B 150Hz

**\*SUB WOOFER position(OFF/SUB WOOFER/LOW CUT switch)**

<It sets [FREQUENCY] adjustment knob to 25Hz (Min.).>

Input signal is 25Hz, -10dBu, and set FREQUENCY to 25Hz.

The output voltage shall be -3.0 +/- 2.0dB compared to the 1kHz at the switch off.

<It sets [FREQUENCY] adjustment knob to 150Hz (Max.).>

Input signal is 150Hz, -10dBu, and set FREQUENCY to 150Hz.

The output voltage shall be -3.0 +/- 2.0dB compared to the 1kHz at the switch off.

**\*LOW CUT position(OFF/SUB WOOFER/LOW CUT switch)**

<It sets [FREQUENCY] adjustment knob to 25Hz (Min.).>

Input signal is 25Hz, -10dBu, and set FREQUENCY to 25Hz.

The output voltage shall be -4.2 +/- 2.0dB compared to the 1kHz at the switch off.

<It sets [FREQUENCY] adjustment knob to 150Hz (Max.).>

Input signal is 150Hz, -10dBu, and set FREQUENCY to 150Hz.

The output voltage shall be -4.0 +/- 2.0dB compared the 1kHz at the switch off.

**\*YS Processing switch: ON**

Input signal is 70Hz, -10dBu,

the output voltage shall be +6.5 +/- 1.5dB compared to the 1kHz at the YS Processing switch off, and the YS Processing LED shall lights up

**\*Set MODE switch to STEREO.**

**3.7 Distortion Factor**

Input signals are each 20Hz and 20kHz,The distortion shall be less than 0.1% when output power level as follows. This inspection should have been finished within 30 seconds.

| P5000S    | P7000S(J/U/V/A/T) | P7000S(H/W/B/K/O) |
|-----------|-------------------|-------------------|
| 500W+500W | 700W+700W         | 650W+650W         |

**3.8 Cross talk**

Input signal is 1kHz to the channel A, and shunt the input terminal of channel B with 600ohms (2pin-hot, 3pin-cold).

Set the output power of channel A as follows.

The output voltage of channel B shall be less than -70dB compared to output voltage of channel A. The conditions of channel A and channel B are replaced and inspected.

| P5000S | P7000S |
|--------|--------|
| 250W   | 350W   |

**3.9 Output Noise level**

Shunt the input terminal with 600 ohms (2pin-hot, 3pin-cold).

The noise level of the output terminal shall be less than -65 dBu.

Set the input attenuator to MIN. The noise level shall be less than -70 dBu.

### 3.10 Stability

Input the rectangular waveform of 10kHz at -10dBu.

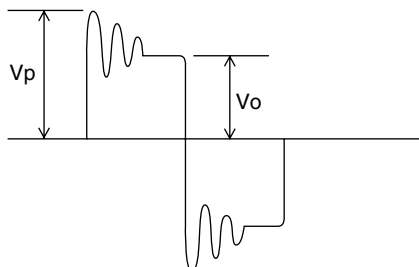
Connect only capacitance of 0.01uF (Polyester film capacitance) to output terminal.

Input signal is 10kHz, -10dBu square wave.

The overshoot and the ringing should be as follows.

Overshoot :  $V_p/V_o < 2.5$

Ringing : Within 7 waves and no oscillation.



### 3.11 Protection circuit for DC fault

Disconnect of load resistor from output terminal.

PROTECTION LED shall not light up when input signal is 10Hz, +9.0dBu.

The power supply shall shut down less than 2 seconds when input signal is 1Hz, +5.0dBu.

Turn off the power switch.

The power amp shall restart, when the switch will be turned on again after 3 seconds.

### 3.12 Efficiency

(1) The primary electrical power shall be as follows when input signal is 1kHz, -6.6dBu.

| P5000S      | P7000S      |
|-------------|-------------|
| 140 +/- 30W | 140 +/- 30W |

(2) The primary electrical power shall be as follows when shunt the input terminal with 600 ohms (2pin-hot, 3pin-cold).

| P5000S     | P7000S     |
|------------|------------|
| 35 +/- 10W | 35 +/- 10W |

### 3.13 VI limiter and compressor

Connect 1ohm(+/- 5%) load resistor to output terminal.

Input signal is 1kHz, -1.5dBu.

The output voltage shall be as follows and the distortion shall be less than 5%.

Then, CLIP LED shall light up.

This inspection should have been finished within 30 seconds.

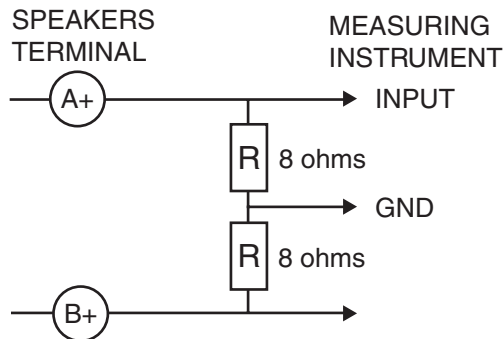
| P5000S    | P7000S    |
|-----------|-----------|
| 16 +/- 4V | 18 +/- 4V |

### 3.14 SIGNAL LED

SIGNAL LED shall lights up when input signal is 1kHz, -23dBu.

**4. Preparation For BRIDGE mode**

- Attenuator : "0"(MAX) Effective only channel A.
- Input terminal : cannon connector 2PIN-HOT/3PIN-COLD/1PIN-GND
- MODE switch : BRIDGE
- SUBWOOFER/LOW CUT switch : OFF
- YS Processing switch : OFF
- Load resistor : 8+8 ohms +/- 1%
- Connection for measuring : Measure the output at the point as shown below.



**5. Inspection**

**5.1 gain**

The output voltage shall be +22.1 +/- 1dBu when input signal is 1kHz, -10.0dBu.

**5.2 Frequency response**

Input signals are each 20Hz, 1kHz and 20kHz, -10dBu.

The output voltage shall be 0.0 +/- 0.5dB at 20Hz, -0.5 +/- 0.5dB at 20kHz compared to the 1kHz.

**5.3 Distortion Factor**

Input signals are each 20Hz and 20kHz.

The distortion shall be less than 0.1% when output voltage as follows.

This inspection should have been finished within 30 seconds.

| P5000S | P7000S(J/U/V/A/T) | P7000S(H/W/B/K/O) |
|--------|-------------------|-------------------|
| 63.25V | 74.83V            | 72.11V            |

## 5.4 Output Noise level

Shunt the input terminal with 600 ohms (2pin-hot, 3pin-cold).

The noise level of output terminal shall be less than -60 dBu.

Next, set the input attenuator to MIN.

The noise level shall be less than -65 dBu.

## 6. PS sheet trouble repair guide

### 6.1 The application sheet part number and the line voltage

<Table 1-1>

| Part number | Sheet name | Line voltage |
|-------------|------------|--------------|
| WD351800    | PS70J      | AC100V/50Hz  |
| WD351900    | PS70U      | AC120V/60Hz  |
| WD352000    | PS70H      | AC230V/50Hz  |
| WD352100    | PS70A      | AC240V/50Hz  |
| WD352200    | PS70K      | AC230V/50Hz  |
| WD352300    | PS50J      | AC100V/50Hz  |
| WD352400    | PS50U      | AC120V/60Hz  |
| WD352500    | PS50H      | AC230V/50Hz  |
| WD352600    | PS50A      | AC240V/50Hz  |
| WD352700    | PS50K      | AC230V/50Hz  |

### 6.2 Electric performance

#### 6.2-1 Preparation

- It connects sheet PSW (WD353900 the part of the SUB sheet) with CN403, CN404, CN405.
- The sheet In case of setting which COIL70J or COIL70H are used for, it connects J410-J413.  
(Or, it short-circuits in CN406 and CN415).
- Connecting load resistor with the  $\pm B$ ,  $\pm 15 V$ . <Table 2-1>
- It connects power code in CN401, CN402.
- It adjusts a line voltage to the voltage which suited each sheet. It refers to <table 1-1>

\* As for the location, refer to Fig.1.

#### 6.2-2 Each part voltage

It is ON in POWER SW when being, each part output voltage is normal if it is stored in the range in <table 2-1>.

When a line voltage is shifted, it doesn't sometimes become the output voltage of <table 2-1> when measuring output voltage without the load resistor.

<Table 2-1>

| Model      | Measurement part | Measurement place | Output voltage(DC) |                  |                  | Load resistor     |
|------------|------------------|-------------------|--------------------|------------------|------------------|-------------------|
|            |                  |                   | J                  | U,A              | H                |                   |
| P7000S     | + B              | W406RE-W407BL     | +150.8 $\pm$ 3V    | +141.4 $\pm$ 3V  | +143.5 $\pm$ 3V  | 22K $\Omega$ 3W   |
|            | - B              | W407BL-W408WH     | -150.8 $\pm$ 3V    | -141.4 $\pm$ 3V  | -143.5 $\pm$ 3V  | 22K $\Omega$ 3W   |
| P5000S     | + B              | W406RE-W407BL     | +122.5 $\pm$ 3V    | +113.1 $\pm$ 3V  | +124.3 $\pm$ 3V  | 22K $\Omega$ 3W   |
|            | - B              | W407BL-W408WH     | -122.5 $\pm$ 3V    | -113.1 $\pm$ 3V  | -124.3 $\pm$ 3V  | 22K $\Omega$ 3W   |
| commonness | +15V             | CN408 1-2pin      | +15.0 $\pm$ 0.6V   | +15.0 $\pm$ 0.6V | +15.0 $\pm$ 0.6V | 10K $\Omega$ 1/4W |
|            | -15V             | CN408 3-2pin      | -15.0 $\pm$ 0.6V   | -15.0 $\pm$ 0.6V | -15.0 $\pm$ 0.6V | 10K $\Omega$ 1/4W |

### 6.3 Discharge

When treating with simple substance sheet, for the shock guard (discharging in the electric charge of the capacitor), discharge with the following terminal by resistor.

- Terminals of C416 and C417(Power SW OFF there is not need of the discharge but checking voltage for the safe confirmation if leaving later for equal to or more than 10 minutes)
- Between W406RE-W407BL and W407BL-W408WH.
- Terminals of C402

#### 6.4 Repair concrete instance at the trouble part

All secondary output isn't output.

Check the following instruction.

- ① Confirm the resistor value of R416, R451(6.8Ω 5 W).  
Exchange if open the resistor value.
- ② Confirm the resistor value of Q406, Q407 Between C-E.  
If short or several value(Ω), remove the part and then exchange IC402 because it is broken.
- ③ Conform the resistor value of R420, R421.  
Confirm whether or not it is a 10Ω .  
Remove if open or a resistor value is increased.
- ④ Conform the resistor value of R419.  
Confirm whether or not it is a 4.7Ω .  
Remove if open or a resistor value is increased.
- ⑤ Conform the resistor value of R429, R430.  
Remove if open or a resistor value is increased.
- ⑥ Confirmation of F401.  
Confirm the resistor value of F401.  
Don't install the test of ⑦ ends.
- ⑦ Conform a waveform of IC402.  
Confirm alternating volts.

#### 【Note】

The earth of the measuring machine doesn't connect.

The parts sometimes damages when using in the connecting condition.

After ① - ⑦ ending, it observes a waveform IC402-1Pin(Lo),2Pin(COM) with the oscilloscope.

There is good if being the square wave (0-15V) of the about 70 kHz.

In the waveform malfunction case, confirm that the output of IC403 (regulator) is +15 V.

In case of equal to or less than 15V, it exchanges IC402 and it observes a waveform once again.

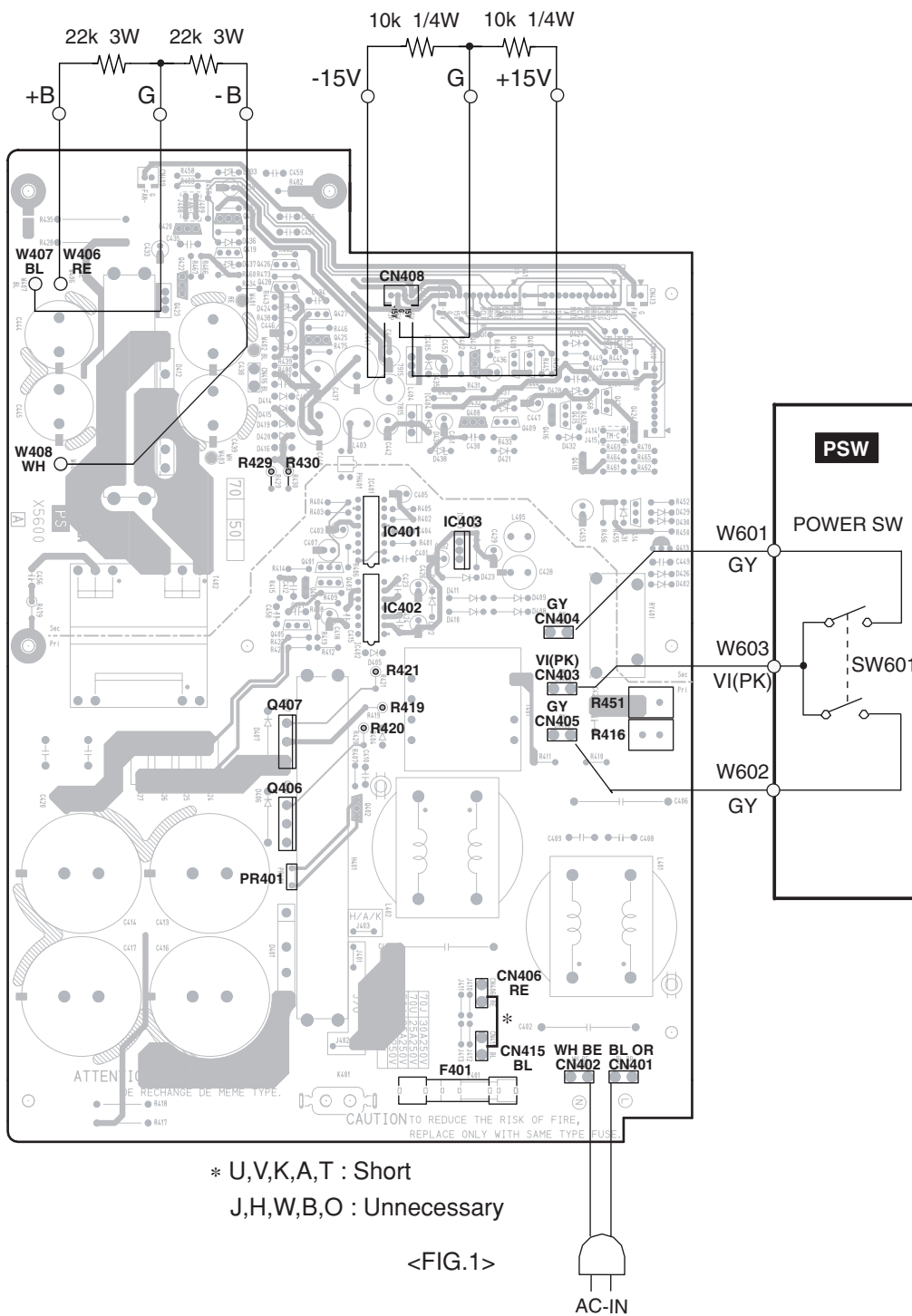
(When exchanging IC402 already by ② , you exchange IC401).

\* When observing a waveform, do short-circuiting of PR401.

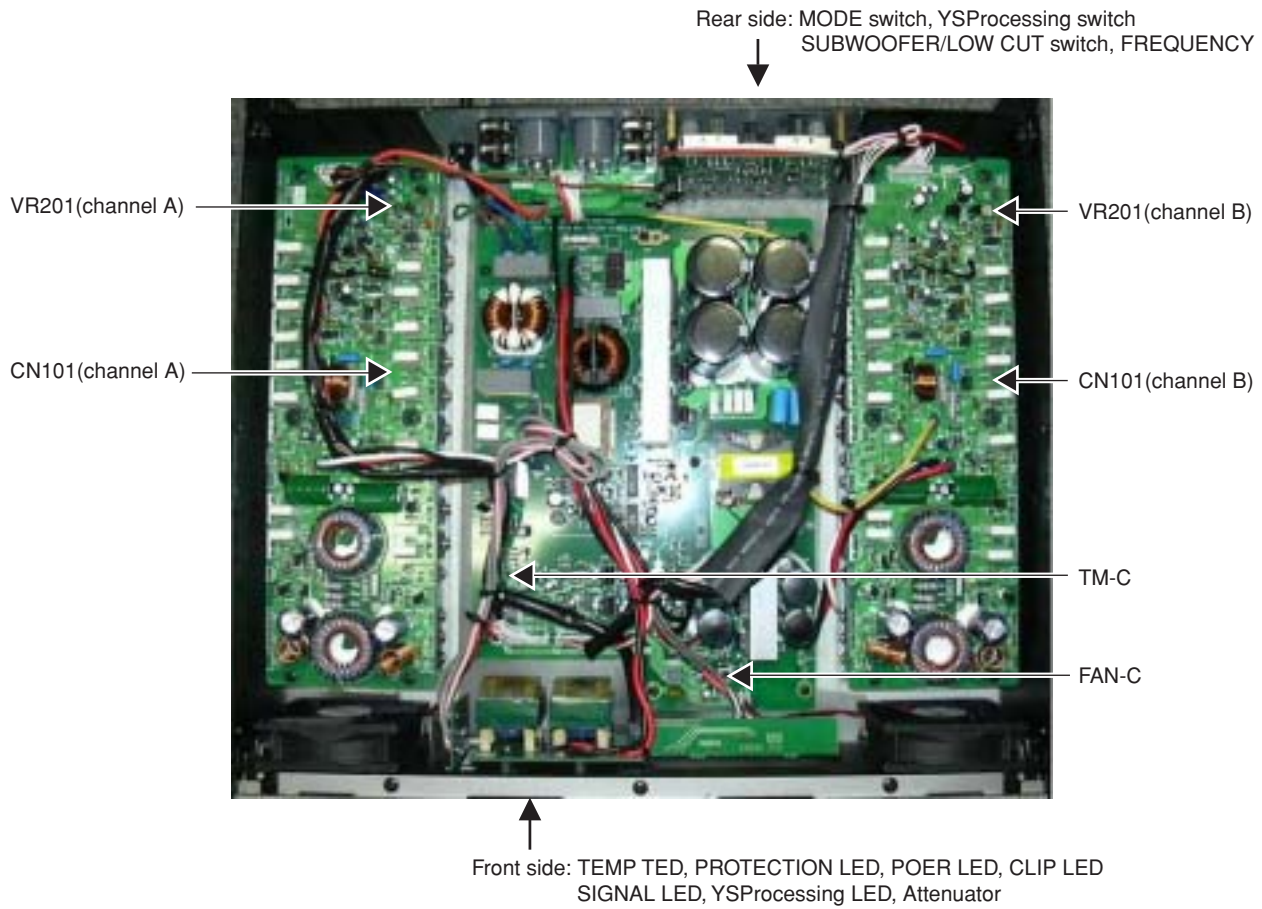
- ⑧ Exchange the parts which was removed by ① - ⑦ for the normal part.
- ⑨ It is repair completion if confirming "6-2. Electric performance" and not being in the problem.



• Wurubg/Check Parts



● The switch and adjustment part



**7. Preparation of Delivery**

|                          |          |
|--------------------------|----------|
| Attenuator               | : MIN    |
| MODE switch              | : STEREO |
| SUBWOOFER/LOW CUT switch | : OFF    |
| YS Processing switch     | : ON     |
| FREQUENCY                | : 25Hz   |

## ■ 検査

### 1. 適用範囲

- ・パワーアンプ P5000S/P7000S について規定します。
- \* 調整箇所の詳細については P50 " スイッチ及び調整箇所 " を参照してください。

### 2. STEREO/PARALLEL モード用の準備

|                        |  |
|------------------------|--|
| アッテネータ                 | : "0"(MAX)                                     |
| 入力端子                   | : cannon connector 2PIN-HOT/3PIN-COLD/1PIN-GND |
| モードスイッチ                | : STEREO                                       |
| SUBWOOFER/LOW CUT スイッチ | : OFF  |
| YS Processing スイッチ     | : OFF  |
| 負荷抵抗                   | : 8 +/- 1%                                     |

特に指定の無い場合、両チャンネル駆動とします。  
DIN AUDIO フィルタを用いてノイズレベルを測定します。  
特に指定の無い場合、入力信号は高品位サイン波とします。

### 3. 検査及び調整

#### 3.1 POWER LED, PROTECTION LED 及び Power on muting time

電源を投入し、POWER,PROTECTION LED が点灯することを確認します。  
電源を投入し、2.5 ± 1 秒にて、PROTECTION LED が消灯することを確認します。

#### 3.2 Fan 及び TEMP LED

PS シートの "FAN-C" と表記された枠内の 2 本のジャンパー線をショートした時、FAN が回転することを確認します。同じく "TM-C" と表記された枠内の 2 本のジャンパー線をショートした時、TEMP LED が点灯することを確認します。

#### 3.3 アイドリング電流

入力端子を接地して、PAH シート CN101 の 1-2 番端子間の直流電圧  $V_b$  が  $0.275 \pm 0.025\text{mV}$  となるように、VR201 を調整します。全検査終了後、再度  $V_b$  を  $0.5 \pm 0.1\text{mV}$  となるように調整します。  
この調整は両チャンネル共に行います。

#### 3.4 出力端子、直流電圧

入力端子を接地し、出力端子の直流電圧  $V_{dc}$  を測定し、 $0 \pm 75\text{mV}$  であることを確認します。

#### 3.5 利得

入力端子に 1kHz、-10.0dBu の正弦波を入力した時、 $+22.1 \pm 0.5\text{dBu}$  の出力電圧を得られる事を確認します。  
さらに PARALLEL モードでも検査を行います。  
PARALLEL モードでは、Bch の入力端子に信号を入力しないでください。  
アッテネーターを -10dB のポジションに設定し、入力端子に 1kHz、-10.0dBu の正弦波を入力した時、出力電圧が  $+12.0 \pm 3.0\text{dB}$  以内であることを確認します。

#### 3.6 周波数特性

20Hz、1kHz、20kHz、-10dBu の信号を入力した時、出力電圧が 1kHz を基準に 20Hz では  $0.0 \pm 0.5\text{dB}$  以内、20kHz では  $-0.5 \pm 0.5\text{dB}$  以内であることを確認します。  
MODE スイッチを PARALLEL にセットします。  
SUB WOOFER と LOW CUT のポジションの検査は、次の順序で行います。

- 1) channel A 25Hz
- 2) channel A 150Hz
- 3) channel B 25Hz
- 4) channel B 150Hz

**\*[OFF/SUB WOOFER/LOW CUT] スイッチを ' SUB WOOFER ' にします。**

<[FREQUENCY]調整つまみを 25Hz(最小)にします >

25Hz、-10dBu の信号を入力した時、出力電圧が、[OFF/SUB WOOFER/LOW CUT] スイッチ OFF 時の 1kHz の出力電圧を基準に  $-3.0 \pm 2.0\text{dB}$  以内であることを確認します。

<[FREQUENCY]調整つまみを 150Hz(最大)にします >

150Hz、-10dBu の信号を入力した時、出力電圧が、[OFF/SUB WOOFER/LOW CUT] スイッチ OFF 時の 1kHz の出力電圧を基準に  $-3.0 \pm 2.0\text{dB}$  以内であることを確認します。

**\*[OFF/SUB WOOFER/LOW CUT] スイッチを ' LOW CUT ' にします。**

<[FREQUENCY]調整つまみを 25Hz(最小)にします >

25Hz、-10dBu の信号を入力した時、出力電圧が[OFF/SUB WOOFER/LOW CUT] スイッチ OFF 時の 1kHz の出力電圧を基準に  $-4.2 \pm 2.0\text{dB}$  以内であることを確認します。

<[FREQUENCY]調整つまみを 150Hz(最大)にします >

150Hz、-10dBu の信号を入力した時、出力電圧が[OFF/SUB WOOFER/LOW CUT] スイッチ OFF 時の 1kHz の出力電圧を基準に  $-4.0 \pm 2.0\text{dB}$  以内であることを確認します。

**\*YS Processing switch: ON**

70Hz、-10dBu の信号を入力した時の出力電圧が、1kHz,YS Processing SW OFF 時の出力電圧を基準に  $+6.5 \pm 1.5\text{dB}$  以内であることを確認します。

また、YS Processing LED が点灯することを確認します。

**\*MODE スイッチを STEREO にセットします**

**3.7 歪率**

入力端子に 20Hz,20kHz の信号を入力し下表の定格出力を得た時の歪率は 0.1% 以下であることを確認します。この検査は 30 秒以内に終了してください。

| P5000S    | P7000S(J/U/V/A/T) | P7000S(H/W/B/K/O) |
|-----------|-------------------|-------------------|
| 500W+500W | 700W+700W         | 650W+650W         |

**3.8 チャンネルセパレーション**

A チャンネルに 1kHz を入力し、B チャンネルの入力端子間 (2pin-hot, 3pin-cold) を 600 Ω でシャントします。

A チャンネルの出力を下表の値にセットします。

B チャンネルの出力電圧は A チャンネルに比較して -70dB 以下であることを確認します。

次に A と B を入れ換えて検査します。

| P5000S | P7000S |
|--------|--------|
| 250W   | 350W   |

**3.9 出力ノイズレベル**

入力端子間 (2pin-hot, 3pin-cold) を 600 Ω でシャントします。

出力端子に発生するノイズレベルを測定し、-65dBu 以下であることを確認します。

アッテネーターを MIN にし、-70dBu 以下であることを確認します。

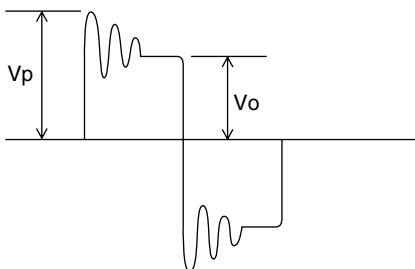
### 3.10 安定度

負荷を純容量 0.01 $\mu$ F (フィルムコンデンサ) のみとします。

10kHz, -10dBu の矩形波を入力した時、発振せずに以下の条件を満足することを確認します。

オーバーシュート :  $V_p/V_o < 2.5$

リングング : 7 波以内に収束し、発振などを生じないこと。



### 3.11 プロテクション回路

出力端子から負荷抵抗の接続を外します。

10Hz, +9.0dBu の信号を入力し、PROTECTION LED が点灯しないことを確認します。

1Hz, +5.0dBu の信号を入力した時、2 秒以内に電源がシャットダウンすることを確認します。

パワースイッチを OFF します。その 3 秒後にパワースイッチを ON して、再起動可能な事を確認します。

### 3.12 効率

(1) 1kHz, -6.6dBu の信号を入力して、一次電力を測定し下表の範囲内であることを確認します。

| P5000S      | P7000S      |
|-------------|-------------|
| 140 +/- 30W | 140 +/- 30W |

(2) 入力端子間 (2pin-hot, 3pin-cold) を 600  $\Omega$  でシャントして、一次電力を測定し下表の範囲内であることを確認します。

| P5000S     | P7000S     |
|------------|------------|
| 35 +/- 10W | 35 +/- 10W |

### 3.13 V I リミッター及びコンプ

出力端子に負荷として 1  $\Omega$  ( $\pm 5\%$ ) を接続し 1kHz, -1.5dBu の信号を入力します。

出力電圧は下表の範囲であること、また歪率は 5% 以下であり、CLIP LED が点灯することを確認します。

この検査は 30 秒以内に終了してください。

| P5000S    | P7000S    |
|-----------|-----------|
| 16 +/- 4V | 18 +/- 4V |

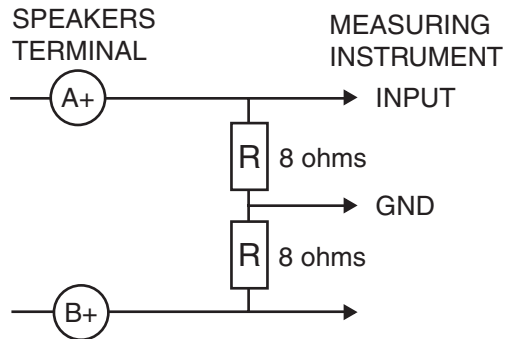
### 3.14 SIGNAL LED

1kHz, -23dBu の正弦波を入力し、SIGNAL LED が点灯することを確認します。

4. BRIDGE モード用の準備

- アッテネーター : "0"(MAX)A チャンネルのみ有効.
- 入力端子 : cannon connector 2PIN-HOT/3PIN-COLD/1PIN-GND
- モードスイッチ : BRIDGE
- SUBWOOFER/LOW CUT スイッチ : OFF
- YS Processing スイッチ : OFF
- 負荷抵抗 : 8+8 +/- 1%

下図のとおりに接続して、各点における出力を測定します。



5. 検査

5.1 利得

1kHz、-10.0dBu の信号を入力した時、+22.1 ± 1.0dBu の出力電圧を得ることを確認します。

5.2 周波数特性

20Hz、1kHz、20kHz、-10dB の信号を入力した時、出力電圧が1kHz の出力電圧を基準に 20Hz では 0.0 ± 0.5dB 以内、20kHz では -0.5 ± 0.5dB 以内であることを確認します。

5.3 歪率

入力端子に 20Hz,20kHz の信号を入力し下表の出力電圧を得た時の歪率は 0.1% 以下であることを確認します。この検査は 30 秒以内に終了してください。

| P5000S | P7000S(J/U/V/A/T) | P7000S(H/W/B/K/O) |
|--------|-------------------|-------------------|
| 63.25V | 74.83V            | 72.11V            |

5.4 出力ノイズレベル

入力端子間 (2pin-hot, 3pin-cold) を 600 Ω でシャントします。

出力端子に発生するノイズレベルを測定し、-60dBu 以下であることを確認します。

次にアッテネーターを MIN にし、-65dBu 以下であることを確認します。

## 6. PSシート故障修理ガイド

### 6.1 適用シート部品番号及び電源電圧

<表1-1>

| 部品番号     | シート名称 | 電源電圧        |
|----------|-------|-------------|
| WD351800 | PS70J | AC100V/50Hz |
| WD351900 | PS70U | AC120V/60Hz |
| WD352000 | PS70H | AC230V/50Hz |
| WD352100 | PS70A | AC240V/50Hz |
| WD352200 | PS70K | AC230V/50Hz |
| WD352300 | PS50J | AC100V/50Hz |
| WD352400 | PS50U | AC120V/60Hz |
| WD352500 | PS50H | AC230V/50Hz |
| WD352600 | PS50A | AC240V/50Hz |
| WD352700 | PS50K | AC230V/50Hz |

### 6.2 正常動作時電気的性能

#### 6-2-2 準備

- ・ CN403,CN404,CN405 にシート PSW(WD353900 SUB シートの1部)を接続します。
  - ・ COIL70J 又は COIL70H シートが使用されている仕向においては、J410 ~ J413 を接続します。  
(もしくは CN406 と CN415 をショートします)
  - ・ ± B 電源、± 15V に負荷抵抗を接続します。 <表 2-1 > 参照
  - ・ 電源コードを CN401,CN402 に挿入します。
  - ・ 電源電圧を各シート(仕向け)に合った電圧に調整します。( <表 1-1 > を参照)
- \* ロケーションについては < Fig. 1 > を参照願います。

#### 6-2-2 各部電圧

POWER SW を ON した時、各部出力電圧は <表 2-1 > の範囲に入っていれば正常です。  
負荷抵抗なしで出力電圧を測定した場合や電源電圧がずれている場合、 <表 2-1 > の出力電圧にならない場合があります。

<表2-1>

| モデル    | 測定部     | 測定場所           | 出力電圧(DC)     |              |              | 負荷抵抗     |
|--------|---------|----------------|--------------|--------------|--------------|----------|
|        |         |                | J            | U,A          | H            |          |
| P7000S | + B 電圧  | W406RE-W407BL間 | +150.8 ± 3V  | +141.4 ± 3V  | +143.5 ± 3V  | 22KΩ3W   |
|        | - B 電圧  | W407BL-W408WH間 | -150.8 ± 3V  | -141.4 ± 3V  | -143.5 ± 3V  | 22KΩ3W   |
| P5000S | + B 電圧  | W406RE-W407BL間 | +122.5 ± 3V  | +113.1 ± 3V  | +124.3 ± 3V  | 22KΩ3W   |
|        | - B 電圧  | W407BL-W408WH間 | -122.5 ± 3V  | -113.1 ± 3V  | -124.3 ± 3V  | 22KΩ3W   |
| 共通     | +15V 電源 | CN408 1-2ピン    | +15.0 ± 0.6V | +15.0 ± 0.6V | +15.0 ± 0.6V | 10KΩ1/4W |
|        | -15V 電源 | CN408 3-2ピン    | -15.0 ± 0.6V | -15.0 ± 0.6V | -15.0 ± 0.6V | 10KΩ1/4W |

### 6.3 放電

シート単体で取り扱う場合には、感電防止(コンデンサの電荷を放電)の為、下記の端子を抵抗で放電して下さい。

- ・ C416 及び C417 の ± 端子間(パワー SW OFF 後 10 分以上放置すれば放電の必要はありませんが安全確認の為電圧をチェックして下さい)
- ・ W406RE - W407BL 間及び W407BL - W408WH 間
- ・ C402 の端子間



## 6.4 故障箇所の修理具体例

**2 次側出力電圧が、すべて出力されない。**

下記の部品をチェックして、指示に従って下さい。

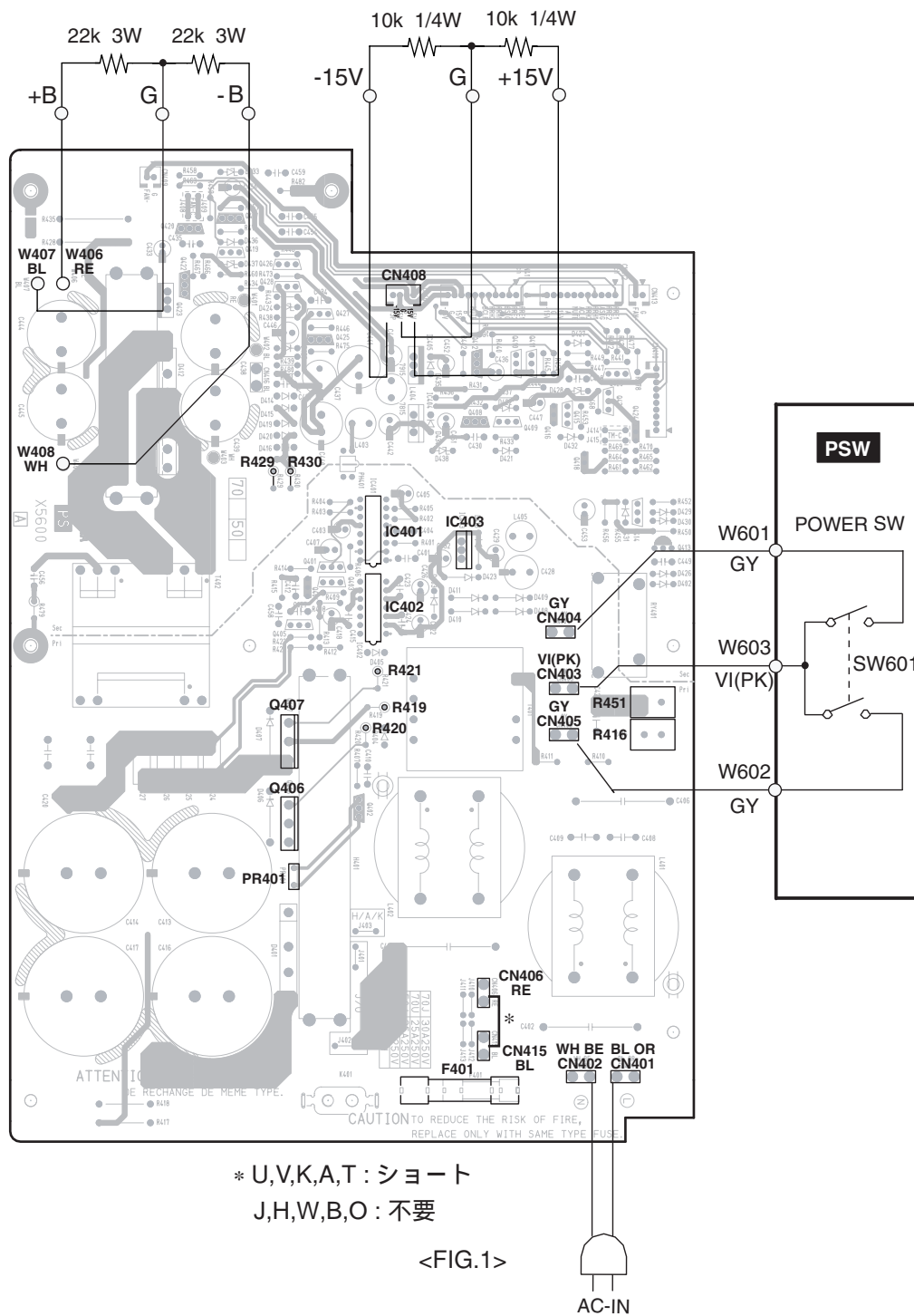
- ① R416,R451(6.8 5 W)の抵抗値  
オープンしていれば交換して下さい。
- ② Q406,Q407 C-E 間の抵抗値  
ショートまたは、抵抗値が低下(数 程度)していれば、その部品を外してください。  
その場合、IC402 が壊れていますので交換してください。
- ③ R420、R421 の抵抗値  
10 の抵抗値であるか確認してください。  
オープンまたは、抵抗値が増大していれば外して下さい。
- ④ R419 の抵抗値  
4.7 の抵抗値であるか確認してください。  
オープンまたは、抵抗値が増大していれば外して下さい。
- ⑤ R429,R430 の抵抗値  
オープンまたは、抵抗値が増大していれば、その部品を外して下さい。
- ⑥ F401 の確認  
F401 の抵抗値(断線等)を確認してください。⑦ の試験が終わるまで取付けないでください。
- ⑦ IC402 の発振波形  
交流電圧を確認してください。

【注意】測定機器のアース・3 芯電源コードのアースは、接続しないで下さい。

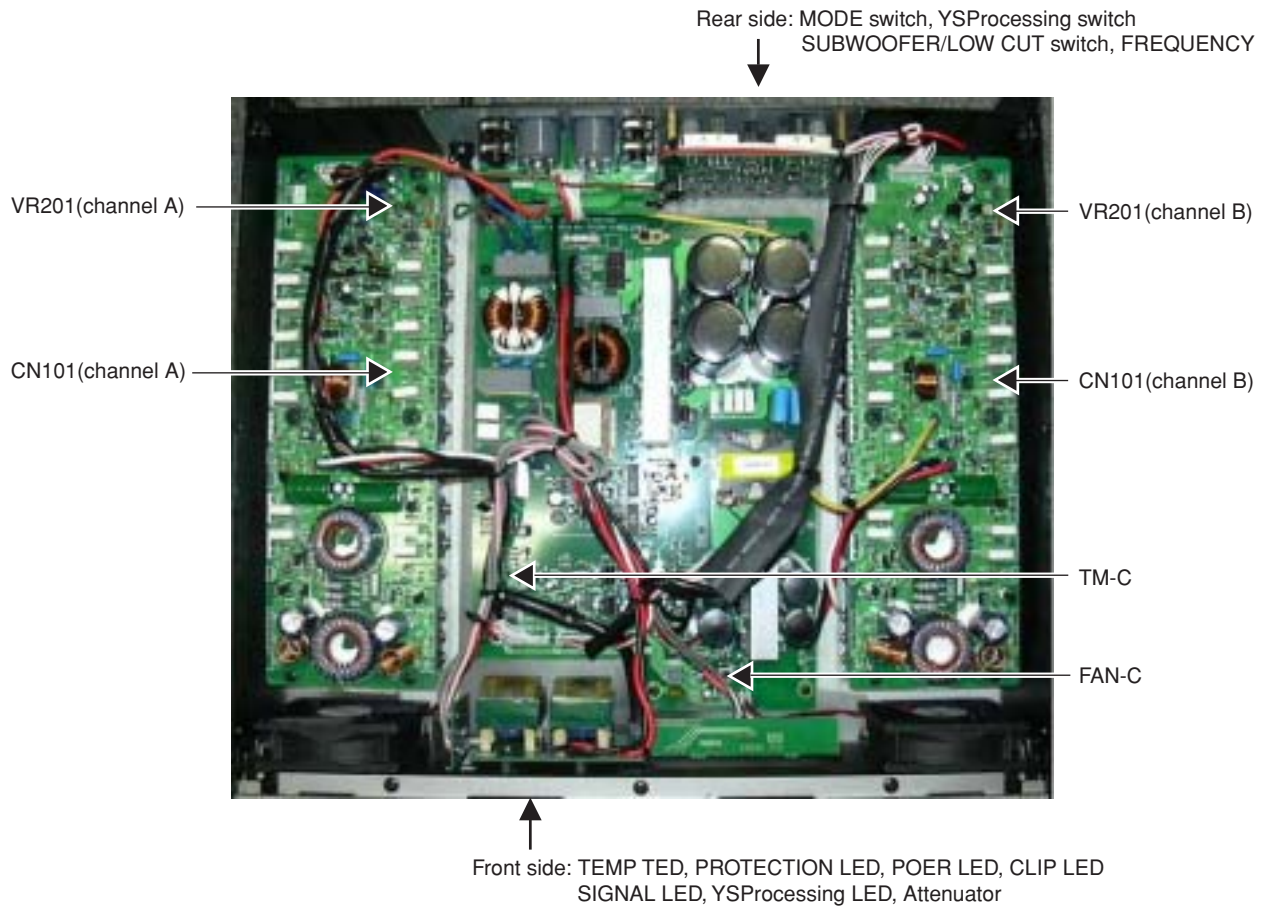
接続した状態で波形を観測すると部品が破壊する恐れがあります。

- ① ~ ⑦ の作業が終了後、IC402 の 1 番ピン(LO)と 2 番ピン(COM)間の波形をオシロスコープで観測します。約 70KHz の矩形波(0-15V)であれば問題ありません。  
波形異常の場合は、IC403(3 端子レギュレーター)の出力が、+15V であることを確認して下さい。  
+15V 以下の場合、IC402 を交換し再度波形を観測します。  
(既に②でIC402を交換している場合は、IC401を交換して下さい)  
波形を観測する時は、PR401をショートして観測して下さい。
- ⑧ ① ~ ⑦ で外した部品を、正常な部品と取りかえて組付けて下さい。
- ⑨ 「6-2. 正常動作時電氣的性能」を確認し問題なければ、修理完了です。

・接続図/チェック部品



・スイッチ及び調整箇所



7. 出荷時のセッティング

|                        |          |
|------------------------|----------|
| アッテネーター                | : MIN    |
| モードスイッチ                | : STEREO |
| SUBWOOFER/LOW CUT スイッチ | : OFF    |
| YS Processing スイッチ     | : ON     |
| FREQUENCY              | : 25Hz   |

# POWER AMPLIFIER

# P 5000S/P 7000S

# PARTS LIST

## ■ CONTENTS (目次)

|                               |   |
|-------------------------------|---|
| OVERALL ASSEMBLY (総組立) .....  | 2 |
| PAUNIT (PAユニット) .....         | 5 |
| ELECTRICAL PARTS (電気部品) ..... | 7 |

## Note) DESTINATION ABBREVIATIONS

|                         |                                |
|-------------------------|--------------------------------|
| A: Australian model     | O: Chinese model               |
| B: British model        | Q: South-east Asia model       |
| C: Canadian model       | T: Taiwan model                |
| D: German model         | U: U.S.A. model                |
| E: European model       | V: General export model (110V) |
| F: French model         | W: General export model (220V) |
| H: North European model | N,X: General export model      |
| I: Indonesian model     | Y: Export model                |
| J: Japanese model       | K: Korean model                |
| M: South African model  |                                |

## ■ WARNING

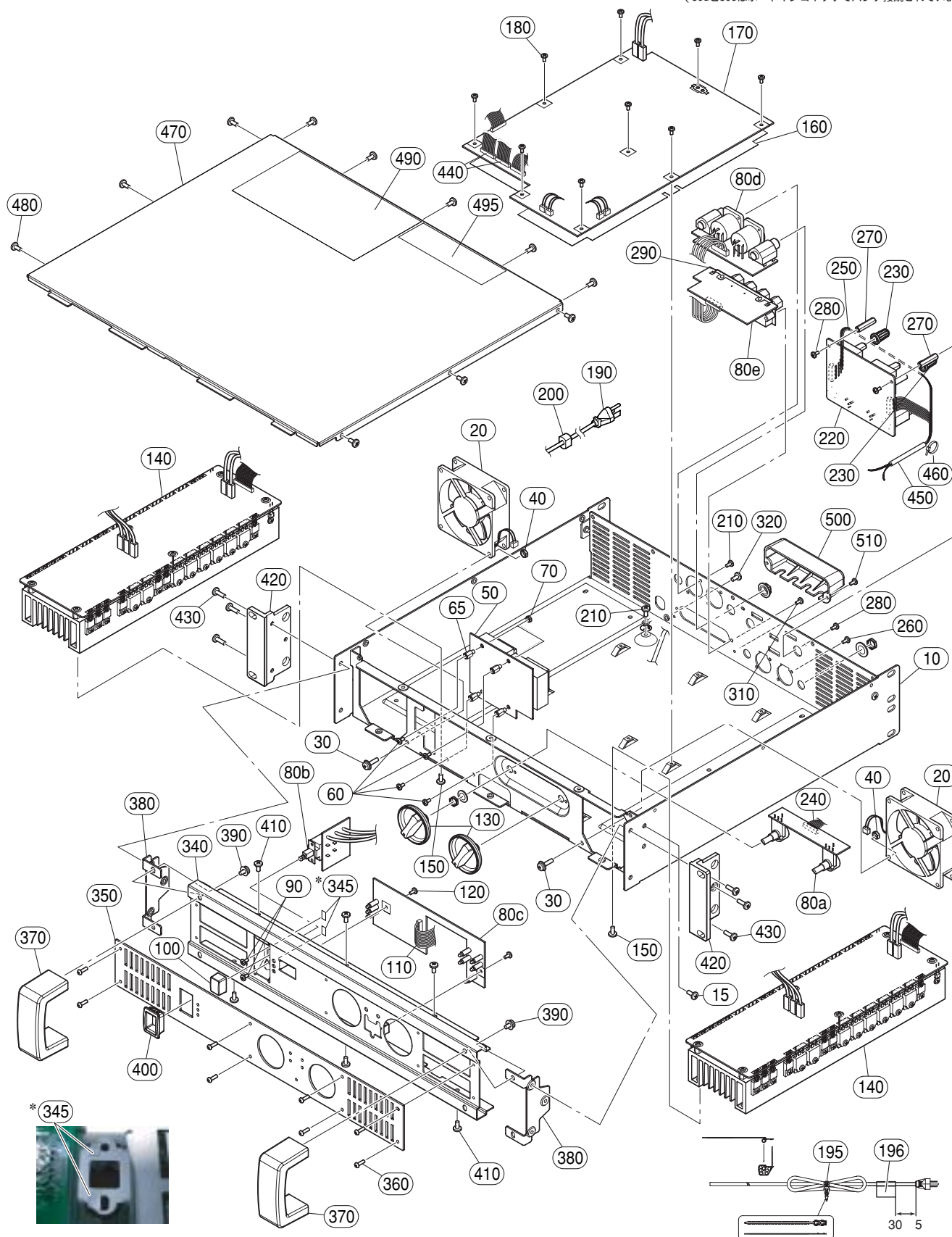
Components having special characteristics are marked  $\triangle$  and must be replaced with parts having specifications equal to those originally installed.

$\triangle$  印の部品は、安全を維持するために重要な部品です。交換をする場合は、安全のため必ず指定の部品をご使用下さい。

- The numbers in "QTY" shows quantities for each unit.
- The parts with "--" in "Part No." are not available as spare parts.
- The second letter of the shaded ( ) part number is I, not one.
- The second letter of the shaded ( ) part number is O, not zero.
- QTY 欄に記載されている数字は、各ユニット当たりの使用個数です。
- 部品 NO. が "--" の部品は、サービス用部品として準備されておりません。
- 網掛けの付いた PARTS NO. の 2 番目の文字は「イチ」ではなく「アイ」です。
- 網掛けの付いた PARTS NO. の 2 番目の文字は「ゼロ」ではなく「オー」です。

# OVERALL ASSEMBLY (総組立)

\* 80d and 80e are soldered with board-in-connectors.  
 (80dと80eはボードインコネクタでハンダ接続されています)





| REF NO. | PART NO. | DESCRIPTION               |                    | 部 品 名          | REMARKS                    | QTY | RANK |
|---------|----------|---------------------------|--------------------|----------------|----------------------------|-----|------|
|         | --       | OVERALL ASSEMBLY          |                    | 総組立            | P5000S_A/P7000S_A          |     |      |
|         | --       | Overall Assembly          | P5000S_A J         | 総組立            | P5000S_A J (WD48630)       |     |      |
|         | --       | Overall Assembly          | P5000S_A U         | 総組立            | P5000S_A U,V (WD48640)     |     |      |
|         | --       | Overall Assembly          | P5000S_A H         | 総組立            | P5000S_A H,W (WD48650)     |     |      |
|         | --       | Overall Assembly          | P5000S_A B         | 総組立            | P5000S_A B (WD48660)       |     |      |
|         | --       | Overall Assembly          | P5000S_A A         | 総組立            | P5000S_A A (WD48670)       |     |      |
|         | --       | Overall Assembly          | P5000S_A K         | 総組立            | P5000S_A K (WD48680)       |     |      |
|         | --       | Overall Assembly          | P5000S_A T         | 総組立            | P5000S_A T (WD48690)       |     |      |
|         | --       | Overall Assembly          | P5000S_A CHN       | 総組立            | P5000S_A O (WD48700)       |     |      |
|         | --       | Overall Assembly          | P7000S_A J         | 総組立            | P7000S_A J (WD48550)       |     |      |
|         | --       | Overall Assembly          | P7000S_A U         | 総組立            | P7000S_A U,V (WD48560)     |     |      |
|         | --       | Overall Assembly          | P7000S_A H         | 総組立            | P7000S_A H,W (WD48570)     |     |      |
|         | --       | Overall Assembly          | P7000S_A B         | 総組立            | P7000S_A B (WD48580)       |     |      |
|         | --       | Overall Assembly          | P7000S_A A         | 総組立            | P7000S_A A (WD48590)       |     |      |
|         | --       | Overall Assembly          | P7000S_A K         | 総組立            | P7000S_A K (WD48600)       |     |      |
|         | --       | Overall Assembly          | P7000S_A T         | 総組立            | P7000S_A T (WD48610)       |     |      |
|         | --       | Overall Assembly          | P7000S_A CHN       | 総組立            | P7000S_A O (WD48620)       |     |      |
| 10      | --       | Main Chassis              | P7000S_A PRINTED   | メインシャーシ印刷      |                            |     |      |
| 15      | EG340190 | Bind Head Tapping Screw-B | 4.0X8 MFZN2BL      | + バインド B タイ    |                            | 4   | 01   |
| 20      | WA968500 | Fan                       | RDH8025S2          | D C ファン        |                            | 2   | 06   |
| 30      | VB764900 | Bind Head Screw           | SP 4.0X16 MFZN2Y   | + バインド小ネジ      |                            | 4   | 01   |
| 40      | 03760280 | Hexagonal Nut             | #1 4.0 MFZN2BL     | 六角ナット          |                            | 4   | 01   |
| 50      | WD354900 | Circuit Board             | COIL P7000S_A J    | シート COIL       | J (X4945A0)                |     |      |
| 50      | WD355000 | Circuit Board             | COIL P7000S_A H    | シート COIL       | H,W,B,O (X4945A0)          |     |      |
| 60      | EP630210 | Bind Head Tapping Screw-S | 3.0X6 MFZN2BL      | + バインド S タイ    | J,H,W,B,O                  | 4   | 01   |
| 65      | WD490000 | Spacer                    | H=7.5 B=5.5        | 六角スペーサー        | J,H,W,B,O                  | 4   |      |
| 70      | 03760280 | Hexagonal Nut             | #1 4.0 MFZN2BL     | 六角ナット          | J,H,W,B,O                  | 4   | 01   |
| 80      | WD353900 | Circuit Board             | SUB70 P7000S_A     | シート SUB70      | (X3895B0)                  |     |      |
| 80a     | --       | Circuit Board             | SUB70 VR           | シート V R        | (WD35390)(WD35460)         |     |      |
| 80b     | --       | Circuit Board             | SUB70 PSW          | シート P S W      | (WD35390)(WD35470)         |     |      |
| 80c     | --       | Circuit Board             | SUB70 LED          | シート L E D      | (WD35390)(WD35480)         |     |      |
| 80d     | --       | Circuit Board             | SUB70 OUT1         | シート O U T 1    | (WD35390)(WD35430)         |     |      |
| 80e     | --       | Circuit Board             | SUB70 OUT2         | シート O U T 2    | (WD35390)(WD35430)         |     |      |
| 90      | EP630210 | Bind Head Tapping Screw-S | 3.0X6 MFZN2BL      | + バインド S タイ    |                            | 2   | 01   |
| 100     | WD345600 | Power Switch Knob         | MG32/14FX A        | P S W ノブ       | ON/OFF                     |     |      |
| 110     | --       | Connector Assembly        | C&C 10P 200L       | 束線 # 2 8       | (WD35940)                  |     |      |
| 120     | EP630210 | Bind Head Tapping Screw-S | 3.0X6 MFZN2BL      | + バインド S タイ    |                            | 2   | 01   |
| 130     | WD490700 | Attenuation Knob          | P7000S_A PRINTED   | アッテネーターノブ      | ATT A,B                    | 2   |      |
| 140     | WD490500 | PA Unit                   | P5000S_A J         | P A ユニット       | P5000S_A                   | 2   |      |
| 140     | WD490400 | PA Unit                   | P7000S_A J         | P A ユニット       | P7000S_A                   | 2   |      |
| 150     | EG340190 | Bind Head Tapping Screw-B | 4.0X8 MFZN2BL      | + バインド B タイ    |                            | 12  | 01   |
| 160     | WD491800 | Insulation Sheet          | PPE E56107         | 絶縁シート          |                            |     |      |
| 170     | WD352300 | Circuit Board             | PS50 P5000S_A J    | シート P S 5 0    | P5000S_A (X5600A0)         |     |      |
| 170     | WD352400 | Circuit Board             | PS50 P5000S_A U    | シート P S 5 0    | P5000S_A U,V,T (X5600A0)   |     |      |
| 170     | WD352500 | Circuit Board             | PS50 P5000S_A H    | シート P S 5 0    | P5000S_A H,W,B,O (X5600A0) |     |      |
| 170     | WD352600 | Circuit Board             | PS50 P5000S_A A    | シート P S 5 0    | P5000S_A A (X5600A0)       |     |      |
| 170     | WD352700 | Circuit Board             | PS50 P5000S_A K    | シート P S 5 0    | P5000S_A K (X5600A0)       |     |      |
| 170     | WD351800 | Circuit Board             | PS70 P7000S_A J    | シート P S 7 0    | P7000S_A J (X5600A0)       |     |      |
| 170     | WD351900 | Circuit Board             | PS70 P7000S_A U    | シート P S 7 0    | P7000S_A U,V,T (X5600A0)   |     |      |
| 170     | WD352000 | Circuit Board             | PS70 P7000S_A H    | シート P S 7 0    | P7000S_A H,W,B,O (X5600A0) |     |      |
| 170     | WD352100 | Circuit Board             | PS70 P7000S_A A    | シート P S 7 0    | P7000S_A (X5600A0)         |     |      |
| 170     | WD352200 | Circuit Board             | PS70 P7000S_A K    | シート P S 7 0    | P7000S_A K (X5600A0)       |     |      |
| 180     | EP630210 | Bind Head Tapping Screw-S | 3.0X6 MFZN2BL      | + バインド S タイ    |                            | 9   | 01   |
| 190     | V9842200 | AC Cord                   | J VCTF 2.0X3       | 電源コード          | J                          |     | 08   |
| 190     | WC183200 | AC Cord                   | UC SJT 3X#18 10A   | 電源コード          | J,U,V,T                    |     | 07   |
| 190     | WC183300 | AC Cord                   | H H05VV-F0.75X316A | 電源コード          | H,W,A,K                    |     | 05   |
| 190     | WC183500 | AC Cord                   | BS H05VV-F 13A     | 電源コード          | B                          |     | 08   |
| 190     | WD030800 | AC Cord                   | CHN 10A 250V 2.5M  | 電源コード          | O                          |     |      |
| 195     | --       | Cord Strap                | CS-180             | コードストラップ       | (V366280)                  |     | 01   |
| 196     | --       | Label                     | J                  | 注意ラベル J 電源コード用 | J (WB12860)                |     |      |
| 200     | VV103100 | Cord Strain Relief        | SR-6P1             | コードストッパー       |                            |     | 01   |
| 210     | VP156800 | Bind Head Screw           | A4.0X8 MFZN2BL     | + バインド小ネジ      |                            | 2   | 01   |
| 220     | WD355200 | Circuit Board             | IN P7000S_A        | シート I N        |                            |     |      |
| 230     | V9665200 | Knob, VR                  | WHITE/M-GRAY       | ノブ V R         |                            | 2   | 01   |
| 240     | --       | Connector Assembly        | ATT                | 束線 A T T       | (WD35960)                  |     |      |
| 250     | --       | Connector Assembly        | SIG                | 束線 S I G       | (WD35970)                  |     |      |
| 260     | VQ049800 | Bonding Tapping Screw-B   | 3.0X10 MFZN2BL     | ボンディング B タイ    |                            | 4   | 01   |
| 270     | WD490100 | Spacer                    | H=24.5 B=5.5       | 六角スペーサー        |                            | 2   |      |
| 280     | EP630210 | Bind Head Tapping Screw-S | 3.0X6 MFZN2BL      | + バインド S タイ    |                            | 4   | 01   |
| 290     | WD494300 | GND Film                  | P7000S_A           | アースフィルム        |                            |     |      |

\* : New parts (新規部品)

RANK : Japan only

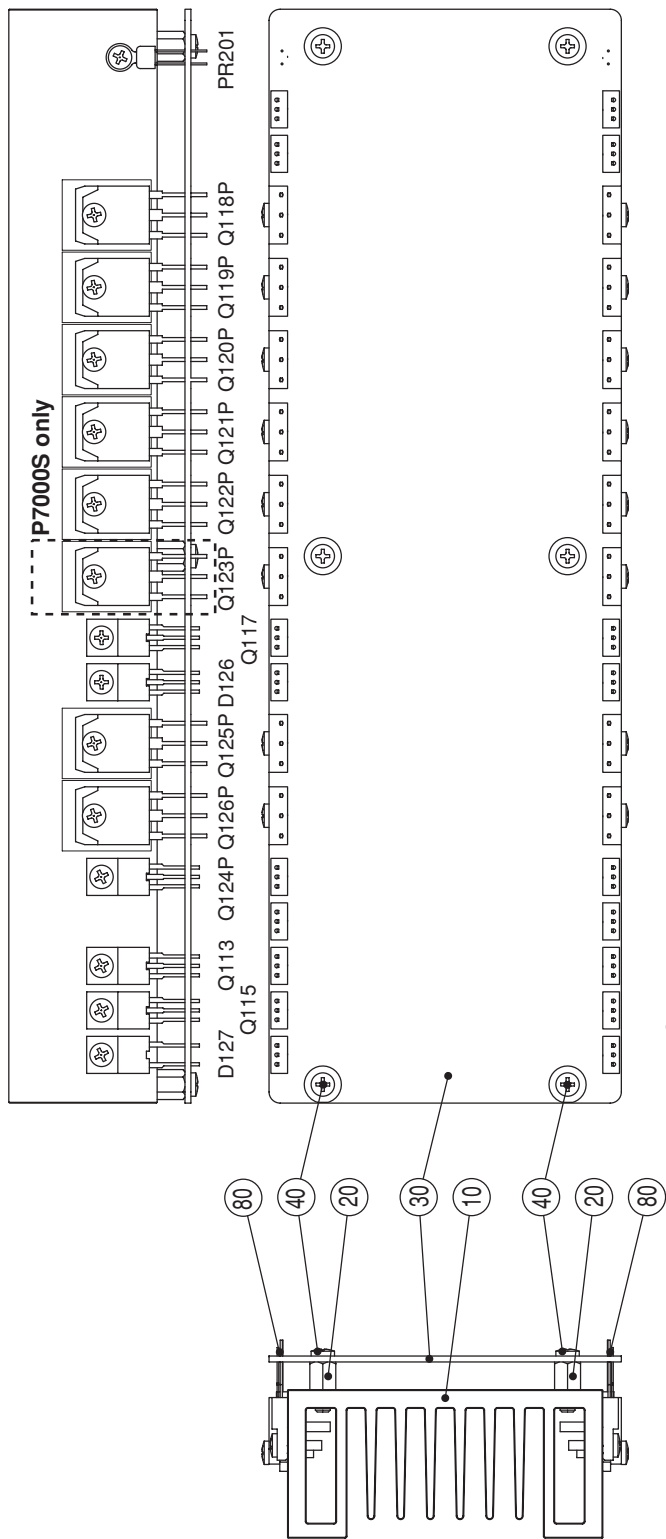
| REF NO.     | PART NO. | DESCRIPTION                | 部 品 名             | REMARKS         | QTY                       | RANK  |
|-------------|----------|----------------------------|-------------------|-----------------|---------------------------|-------|
| 310         | VQ049800 | Bonding Tapping Screw-B    | 3.0X10 MFZN2BL    | ボンディングBタイト      |                           | 2 01  |
| 320         | EP600790 | Flat Head Tapping Screw-B  | 3.0X8 MFZN2BL     | + 皿 B タイト       |                           | 4 01  |
| * 340       | WD491100 | Front Panel 1              | P5000S_A PRINTED  | フロントパネル1印刷      | P5000S_A                  |       |
| * 340       | WD491000 | Front Panel 1              | P7000S_A PRINTED  | フロントパネル1印刷      | P7000S_A                  |       |
| 345         | --       | Adhesive tape              |                   | 粘 着 テ ー プ       | (2276490)                 |       |
| * 350       | WD491400 | Front Panel 2              | P7000S_A PRINTED  | フロントパネル2印刷      |                           |       |
| * 360       | WD345200 | Hex Socket Tapping Screw-S | 3.0X10 MFZN2BL    | 六角穴付きSタイト       |                           | 8     |
| * 370       | WD491600 | Handle 2U                  | PAINTED ADC12     | ハンドル 2U 塗装      |                           | 2     |
| * 380       | WD491700 | Angle, Handle              | P7000S_A          | ハンドルアングル        |                           | 2     |
| 390         | VU688000 | Bind Head Screw            | SP 5.0X16 MFZN2BL | + バインド小ネジ       |                           | 4 01  |
| * 400       | WD345700 | Escutcheon, Power Switch   | MG32/14FX_A       | P S W エスカッション   |                           |       |
| 410         | EG340190 | Bind Head Tapping Screw-B  | 4.0X8 MFZN2BL     | + バインドBタイト      |                           | 6 01  |
| * 420       | WD492100 | Rack Angle                 | P7000S_A PAINTED  | ラックアングル塗装       |                           | 2     |
| 430         | VA221600 | Bind Head Screw            | 4.0X10 MFZN2BL    | + バインド小ネジ       |                           | 6 01  |
| 440         | --       | Connector Assembly         | C&C 11P 450L      | 束 線 # 2 8       | (WD35950)                 | 2     |
| 450         | --       | Tube                       | BLACK 18.0        | スミューブ クロ        | (CH00440)                 |       |
| 460         | V3272800 | Cord Holder                | T18R              | インシュロックタイ       |                           | 14    |
| * 470       | WD492300 | Top Cover                  | P7000S_A PAINTED  | トップカバー 塗装       |                           |       |
| 480         | EG340190 | Bind Head Tapping Screw-B  | 4.0X8 MFZN2BL     | + バインドBタイト      |                           | 11 01 |
| 490         | --       | Label                      | P5000S-J          | ラ ベ ル           | P5000S_A J (WD48920)      |       |
| 490         | --       | Label                      | P5000S-U          | ラ ベ ル           | P5000S_A U,V (WD48930)    |       |
| 490         | --       | Label                      | P5000S-HB         | ラ ベ ル           | P5000S_A H,W,B (WD48940)  |       |
| 490         | --       | Label                      | P5000S-A          | ラ ベ ル           | P5000S_A A (WD48950)      |       |
| 490         | --       | Label                      | P5000S-K          | ラ ベ ル           | P5000S_A K (WD48960)      |       |
| 490         | --       | Label                      | P5000S-T          | ラ ベ ル           | P5000S_A T (WD48970)      |       |
| 490         | --       | Label                      | P5000S-CHN        | ラ ベ ル           | P5000S_A O (WD48980)      |       |
| 490         | --       | Label                      | P7000S-J          | ラ ベ ル           | PS7000S_A J (WD48850)     |       |
| 490         | --       | Label                      | P7000S-U          | ラ ベ ル           | PS7000S_A U,V (WD48860)   |       |
| 490         | --       | Label                      | P7000S-HB         | ラ ベ ル           | PS7000S_A H,W,B (WD48870) |       |
| 490         | --       | Label                      | P7000S-A          | ラ ベ ル           | PS7000S_A A (WD48880)     |       |
| 490         | --       | Label                      | P7000S-K          | ラ ベ ル           | PS7000S_A K (WD48890)     |       |
| 490         | --       | Label                      | P7000S-T          | ラ ベ ル           | PS7000S_A T (WD48900)     |       |
| 490         | --       | Label                      | P7000S-CHN        | ラ ベ ル           | PS7000S_A O (WD48910)     |       |
| 495         | --       | Label                      | FCC               | ラ ベ ル F C C     | U,V (WD47830)             |       |
| * 500       | WD494500 | Cover, Speaker Terminal    | P7000S_A PRINTED  | S P ターミナルカバー    |                           |       |
| 510         | EP630210 | Bind Head Tapping Screw-S  | 3.0X6 MFZN2BL     | + バインドSタイト      |                           | 2 01  |
| ACCESSORIES |          |                            |                   |                 |                           |       |
| * 10        | WD494200 | Security Cover Assembly    | P7000S_A          | 付 属 品           | P5000S_A/P7000S_A         |       |
| 20          | --       | Security Cover             | P7000S_A          | S / C A s s ' y | (WD49410)                 |       |
| 20          | --       | Allen Wrench               | 2mm 16x50 BE ZINC | セキリティカバー        | (WD49390)                 |       |
|             |          |                            |                   | 六 角 レ ン チ       |                           |       |

\* : New parts (新規部品)

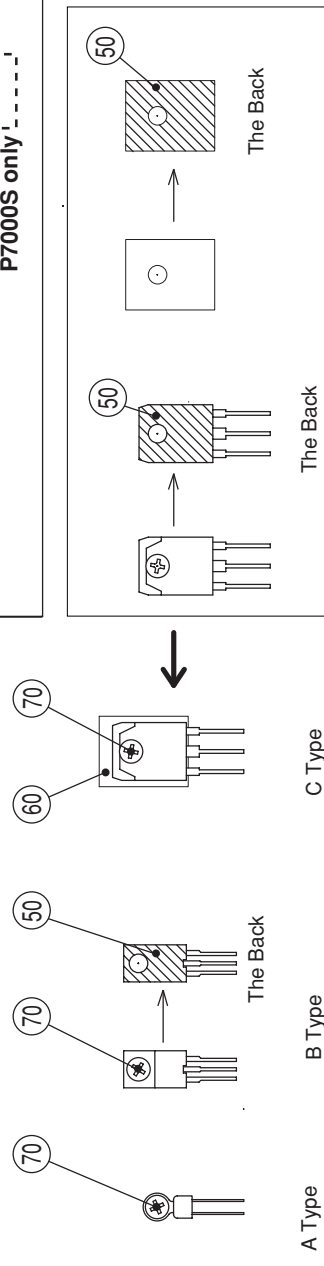
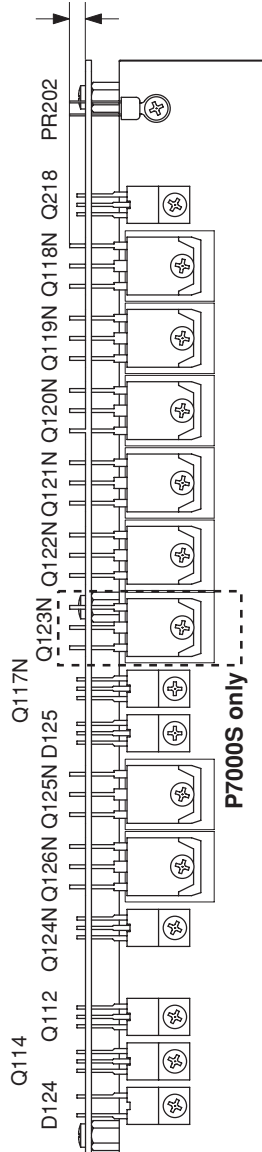
RANK : Japan only



# ■ PA UNIT (PA ユニット)



Read : MAX. 3.0mm



Note:  
 1. Quantity A type, B type and C type: Refer to a parts list.  
 2. There is not any burrs and convex wound in fitting of each types area.

| REF NO. | PART NO.        | DESCRIPTION               | 部 品 名             | REMARKS            | QTY | RANK |
|---------|-----------------|---------------------------|-------------------|--------------------|-----|------|
| *       | <b>WD490500</b> | PA UNIT                   | P A ユ ニ ッ ト       | P5000S_A/P7000S_A  |     |      |
| *       |                 | PA Unit                   | P A ユ ニ ッ ト       | P5000S_A           |     |      |
| *       | <b>WD490400</b> | PA Unit                   | P A ユ ニ ッ ト       | P7000S_A           |     |      |
| 10      | --              | Heat Sink                 | ヒ ー ト シ ン ク       | (WD49030)          |     |      |
| 20      | <b>WD490000</b> | Spacer                    | 6 角 ス ペ ー サ ー     |                    | 6   |      |
| 30      | <b>WD351600</b> | Circuit Board             | シ ー ト P A H 5 0   | P5000S_A (X3850B0) |     |      |
| 30      | <b>WD351400</b> | Circuit Board             | シ ー ト P A H 7 0   | P7000S_A (X3850B0) |     |      |
| 40      | <b>EP630210</b> | Bind Head Tapping Screw-S | + バ イ ン ド S タ イ ト |                    | 6   | 01   |
| 50      | --              | Grease                    | シ リ コ ン グ リ ス     | (VA79810)          |     |      |
| 60      | <b>WB448600</b> | Insulation Sheet          | 放 熱 シ ー ト         |                    | 14  | 01   |
| 70      | <b>VB763800</b> | Bind Head Screw           | + バ イ ン ド 小 ネ ジ   |                    | 29  | 01   |
| D124    | <b>V6351700</b> | Diode                     | ダ イ オ ー ド         |                    |     | 06   |
| D125    | <b>V4816400</b> | Diode                     | ダ イ オ ー ド ス タ ッ ク |                    |     | 03   |
| D126    | <b>V4816400</b> | Diode                     | ダ イ オ ー ド ス タ ッ ク |                    |     | 03   |
| D127    | <b>V6351700</b> | Diode                     | ダ イ オ ー ド         |                    |     | 06   |
| PR201   | <b>VL965100</b> | Positive Thermistor       | ボ ジ ス タ           |                    |     | 04   |
| PR202   | <b>VL964800</b> | Positive Thermistor       | ボ ジ ス タ           |                    |     | 04   |
| Q112    | <b>V8093500</b> | FET                       | F E T             |                    |     | 04   |
| -115    | <b>V8093500</b> | FET                       | F E T             |                    |     | 04   |
| Q218    | <b>VQ547300</b> | Transistor                | ト ラ ン ジ ス タ       |                    |     | 03   |
| Q117N   | <b>VQ547300</b> | Transistor                | ト ラ ン ジ ス タ       |                    |     | 03   |
| Q117P   | <b>VQ547200</b> | Transistor                | ト ラ ン ジ ス タ       |                    |     | 03   |
| Q118N   | <b>V8094900</b> | Pair Transistor           | ベ ア ト ラ ン ジ ス タ   |                    |     | 05   |
| Q118P   | <b>V8094900</b> | Pair Transistor           | ベ ア ト ラ ン ジ ス タ   |                    |     | 05   |
| Q119N   | <b>V8094900</b> | Pair Transistor           | ベ ア ト ラ ン ジ ス タ   |                    |     | 05   |
| Q119P   | <b>V8094900</b> | Pair Transistor           | ベ ア ト ラ ン ジ ス タ   |                    |     | 05   |
| Q120N   | <b>V8094900</b> | Pair Transistor           | ベ ア ト ラ ン ジ ス タ   |                    |     | 05   |
| Q120P   | <b>V8094900</b> | Pair Transistor           | ベ ア ト ラ ン ジ ス タ   |                    |     | 05   |
| Q121N   | <b>V8094900</b> | Pair Transistor           | ベ ア ト ラ ン ジ ス タ   |                    |     | 05   |
| Q121P   | <b>V8094900</b> | Pair Transistor           | ベ ア ト ラ ン ジ ス タ   |                    |     | 05   |
| Q122N   | <b>V8094900</b> | Pair Transistor           | ベ ア ト ラ ン ジ ス タ   |                    |     | 05   |
| Q122P   | <b>V8094900</b> | Pair Transistor           | ベ ア ト ラ ン ジ ス タ   |                    |     | 05   |
| Q123N   | <b>V8094900</b> | Pair Transistor           | ベ ア ト ラ ン ジ ス タ   | P7000S_A           |     | 05   |
| Q123P   | <b>V8094900</b> | Pair Transistor           | ベ ア ト ラ ン ジ ス タ   | P7000S_A           |     | 05   |
| Q124N   | <b>VQ547300</b> | Transistor                | ト ラ ン ジ ス タ       |                    |     | 03   |
| Q124P   | <b>VQ547200</b> | Transistor                | ト ラ ン ジ ス タ       |                    |     | 03   |
| Q125N   | <b>V8094900</b> | Pair Transistor           | ベ ア ト ラ ン ジ ス タ   |                    |     | 05   |
| Q125P   | <b>V8094900</b> | Pair Transistor           | ベ ア ト ラ ン ジ ス タ   |                    |     | 05   |
| Q126N   | <b>V8094900</b> | Pair Transistor           | ベ ア ト ラ ン ジ ス タ   |                    |     | 05   |
| Q126P   | <b>V8094900</b> | Pair Transistor           | ベ ア ト ラ ン ジ ス タ   |                    |     | 05   |

\* : New parts (新規部品)

RANK : Japan only

■ ELECTRICAL PARTS (電気部品)

| REF NO. | PART NO. | DESCRIPTION                | 部 品 名           | REMARKS                   | QTY | RANK |
|---------|----------|----------------------------|-----------------|---------------------------|-----|------|
| *       |          | ELECTRICAL PARTS           | 電 気 部 品         | P5000S_A/P7000S_A         |     |      |
| *       | WD354900 | Circuit Board              | シ ー ト C O I L   | J (X4945A0)               |     |      |
| *       | WD355000 | Circuit Board              | シ ー ト C O I L   | H,W,B,O (X4945A0)         |     |      |
| *       | WD355200 | Circuit Board              | シ ー ト I N       | (X3501C0)                 |     |      |
| *       | WD352300 | Circuit Board              | シ ー ト P S 5 0   | P5000S_A J (X5600A0)      |     |      |
| *       | WD352400 | Circuit Board              | シ ー ト P S 5 0   | P5000S_A U,V,T (X5600A0)  |     |      |
| *       | WD352500 | Circuit Board              | シ ー ト P S 5 0   | P5000S_A H,W,B,O(X5600A0) |     |      |
| *       | WD352600 | Circuit Board              | シ ー ト P S 5 0   | P5000S_AA (X5600A0)       |     |      |
| *       | WD352700 | Circuit Board              | シ ー ト P S 5 0   | P5000S_A K (X5600A0)      |     |      |
| *       | WD351800 | Circuit Board              | シ ー ト P S 7 0   | P7000S_A J (X5600A0)      |     |      |
| *       | WD351900 | Circuit Board              | シ ー ト P S 7 0   | P7000S_A U,V,T (X5600A0)  |     |      |
| *       | WD352000 | Circuit Board              | シ ー ト P S 7 0   | P7000S_A H,W,B,O(X5600A0) |     |      |
| *       | WD352100 | Circuit Board              | シ ー ト P S 7 0   | P7000S_AA (X5600A0)       |     |      |
| *       | WD352200 | Circuit Board              | シ ー ト P S 7 0   | P7000S_A K (X5600A0)      |     |      |
| *       | WD353900 | Circuit Board              | シ ー ト S U B 7 0 | (X3895B0)/(X3895C0)       |     |      |
|         | 10       | Circuit Board              | シ ー ト V R       | (WD353900)(WD35460)       |     |      |
|         | 20       | Circuit Board              | シ ー ト P S W     | (WD353900)(WD35470)       |     |      |
|         | 30       | Circuit Board              | シ ー ト L E D     | (WD353900)(WD35480)       |     |      |
|         | 40       | Circuit Board              | シ ー ト O U T 1   | (WD353900)(WD35430)       |     |      |
|         | 50       | Circuit Board              | シ ー ト O U T 2   | (WD353900)(WD35430)       |     |      |
| *       | WD351600 | Circuit Board              | シ ー ト P A H 5 0 | P5000S_A (X3850B0)        |     |      |
| *       | WD351400 | Circuit Board              | シ ー ト P A H 7 0 | P7000S_A (X3850B0)        |     |      |
|         |          |                            |                 |                           |     |      |
| *       | WD354900 | Circuit Board              | シ ー ト C O I L   | J (X4945A0)               |     |      |
| ⚠       | L701     | WC175800                   | コイル 0.8MH       |                           |     |      |
| ⚠       | L702     | WC175800                   | コイル 0.8MH       |                           |     |      |
|         | W701     | --                         | B&C             | 束線 (WD36100)              |     |      |
|         | W702     | --                         | B&C             | 束線 (WD36110)              |     |      |
|         |          |                            |                 |                           |     |      |
| *       | WD355000 | Circuit Board              | シ ー ト C O I L   | H,W,B,O (X4945A0)         |     |      |
|         | 230      | WD494700                   | インシュロックタイ       |                           |     |      |
| ⚠       | L701     | V0076300                   | チョークコイル         |                           |     | 06   |
| ⚠       | L702     | V0076300                   | チョークコイル         |                           |     | 06   |
|         | W701     | --                         | B&C             | 束線 (WD36100)              |     |      |
|         | W702     | --                         | B&C             | 束線 (WD36110)              |     |      |
|         |          |                            |                 |                           |     |      |
| *       | WD355200 | Circuit Board              | シ ー ト I N       | (X3501C0)                 |     |      |
| C301    | US061220 | Ceramic Capacitor-CH(chip) | チップセラ (C H)     |                           |     | 01   |
| -304    | US061220 | Ceramic Capacitor-CH(chip) | チップセラ (C H)     |                           |     | 01   |
| C305    | US061560 | Ceramic Capacitor-CH(chip) | チップセラ (C H)     |                           |     | 01   |
| -308    | US061560 | Ceramic Capacitor-CH(chip) | チップセラ (C H)     |                           |     | 01   |
| C309    | US061220 | Ceramic Capacitor-CH(chip) | チップセラ (C H)     |                           |     | 01   |
| C310    | WA628700 | Mylar Capacitor            | マイラ - コン        |                           |     |      |
| -313    | WA628700 | Mylar Capacitor            | マイラ - コン        |                           |     |      |
| C314    | UA654560 | Mylar Capacitor            | マイラ - コン        |                           |     |      |
| -317    | UA654560 | Mylar Capacitor            | マイラ - コン        |                           |     |      |
| C318    | US065100 | Ceramic Capacitor-F (chip) | チップセラ F         |                           |     |      |
| -331    | US065100 | Ceramic Capacitor-F (chip) | チップセラ F         |                           |     |      |
| C332    | V9727600 | Electrolytic Cap.          | ケ ミ コ ン         |                           |     | 01   |
| C333    | V9727600 | Electrolytic Cap.          | ケ ミ コ ン         |                           |     | 01   |
| CN301   | VB390400 | Connector Base Post        | コネクタベースポスト      |                           |     | 01   |
| CN302   | VB390300 | Connector Base Post        | コネクタベースポスト      |                           |     | 01   |
| D301    | VT332900 | Diode                      | ダイオード           |                           |     | 01   |
| -304    | VT332900 | Diode                      | ダイオード           |                           |     | 01   |
| IC301   | X3505A00 | IC                         | IC              | OP AMP                    |     | 02   |
| -307    | X3505A00 | IC                         | IC              | OP AMP                    |     | 02   |
| J303    | --       | Jumper Wire                | ジャンパー線          | (VD04170)                 |     |      |
| -306    | --       | Jumper Wire                | ジャンパー線          | (VD04170)                 |     |      |
| JK301   | WA767800 | XLR Connector              | キャノンコネクタ        | INPUT A                   |     | 03   |
| JK302   | WA767800 | XLR Connector              | キャノンコネクタ        | INPUT B                   |     | 03   |
| JK303   | V9812600 | Phone Jack                 | ホンコネクタ          | INPUT A                   |     | 01   |
| JK304   | V9812600 | Phone Jack                 | ホンコネクタ          | INPUT B                   |     | 01   |
| R301    | RF357150 | Carbon Resistor (chip)     | チップ抵抗           |                           |     | 01   |
| -308    | RF357150 | Carbon Resistor (chip)     | チップ抵抗           |                           |     | 01   |
| R309    | RF356620 | Carbon Resistor (chip)     | チップ抵抗           |                           |     |      |
| -311    | RF356620 | Carbon Resistor (chip)     | チップ抵抗           |                           |     |      |
| R312    | RD354180 | Carbon Resistor (chip)     | チップ抵抗           |                           |     | 01   |
| -314    | RD354180 | Carbon Resistor (chip)     | チップ抵抗           |                           |     | 01   |
| R315    | RF356910 | Carbon Resistor (chip)     | チップ抵抗           |                           |     | 01   |
| R316    | RF356910 | Carbon Resistor (chip)     | チップ抵抗           |                           |     | 01   |

\* : New parts (新規部品)

RANK : Japan only

| REF NO. | PART NO. | DESCRIPTION              | 部 品 名              | REMARKS           | QTY                         | RANK |
|---------|----------|--------------------------|--------------------|-------------------|-----------------------------|------|
| R317    | RD356100 | Carbon Resistor (chip)   | 1.0K 63M J         | チ ッ プ 抵 抗         |                             | 01   |
| R318    | RF356910 | Carbon Resistor (chip)   | 9.1K D 1608        | チ ッ プ 抵 抗         |                             | 01   |
| R319    | RD356100 | Carbon Resistor (chip)   | 1.0K 63M J         | チ ッ プ 抵 抗         |                             | 01   |
| R320    | RF356910 | Carbon Resistor (chip)   | 9.1K D 1608        | チ ッ プ 抵 抗         |                             | 01   |
| R321    | RF356620 | Carbon Resistor (chip)   | 6.2K D 1608        | チ ッ プ 抵 抗         |                             | 01   |
| R322    | RF356620 | Carbon Resistor (chip)   | 6.2K D 1608        | チ ッ プ 抵 抗         |                             | 01   |
| R323    | RF357100 | Carbon Resistor (chip)   | 10.0K D 1608       | チ ッ プ 抵 抗         |                             | 01   |
| R324    | RF357100 | Carbon Resistor (chip)   | 10.0K D 1608       | チ ッ プ 抵 抗         |                             | 01   |
| R325    | RD356100 | Carbon Resistor (chip)   | 1.0K 63M J         | チ ッ プ 抵 抗         |                             | 01   |
| R326    | RD356100 | Carbon Resistor (chip)   | 1.0K 63M J         | チ ッ プ 抵 抗         |                             | 01   |
| R327    | RD356510 | Carbon Resistor (chip)   | 5.1K 63M J         | チ ッ プ 抵 抗         |                             | 01   |
| R328    | RF356390 | Carbon Resistor (chip)   | 3.9K D 1608        | チ ッ プ 抵 抗         |                             | 01   |
| R329    | RF357100 | Carbon Resistor (chip)   | 10.0K D 1608       | チ ッ プ 抵 抗         |                             | 01   |
| R330    | RF357100 | Carbon Resistor (chip)   | 10.0K D 1608       | チ ッ プ 抵 抗         |                             | 01   |
| R331    | RF357820 | Carbon Resistor (chip)   | 82.0K D 1608       | チ ッ プ 抵 抗         |                             | 01   |
| R332    | RD354180 | Carbon Resistor (chip)   | 18.0 63M J         | チ ッ プ 抵 抗         |                             | 01   |
| R333    | RD354180 | Carbon Resistor (chip)   | 18.0 63M J         | チ ッ プ 抵 抗         |                             | 01   |
| R334    | RF357100 | Carbon Resistor (chip)   | 10.0K D 1608       | チ ッ プ 抵 抗         |                             | 01   |
| R335    | RF357100 | Carbon Resistor (chip)   | 10.0K D 1608       | チ ッ プ 抵 抗         |                             | 01   |
| * R336  | HB029100 | Metal Film Resistor      | 1.0M 1/4 F         | 金 属 被 膜 抵 抗       |                             |      |
| * R337  | HB029100 | Metal Film Resistor      | 1.0M 1/4 F         | 金 属 被 膜 抵 抗       |                             |      |
| R338    | RF357180 | Carbon Resistor (chip)   | 18.0K D 1608       | チ ッ プ 抵 抗         |                             |      |
| R339    | RF357180 | Carbon Resistor (chip)   | 18.0K D 1608       | チ ッ プ 抵 抗         |                             |      |
| R340    | RD354180 | Carbon Resistor (chip)   | 18.0 63M J         | チ ッ プ 抵 抗         |                             | 01   |
| R341    | RD356100 | Carbon Resistor (chip)   | 1.0K 63M J         | チ ッ プ 抵 抗         |                             | 01   |
| R342    | RD356100 | Carbon Resistor (chip)   | 1.0K 63M J         | チ ッ プ 抵 抗         |                             | 01   |
| R343    | RF356390 | Carbon Resistor (chip)   | 3.9K D 1608        | チ ッ プ 抵 抗         |                             | 01   |
| R344    | RF357820 | Carbon Resistor (chip)   | 82.0K D 1608       | チ ッ プ 抵 抗         |                             | 01   |
| * R345  | HB029100 | Metal Film Resistor      | 1.0M 1/4 F         | 金 属 被 膜 抵 抗       |                             |      |
| * R346  | HB029100 | Metal Film Resistor      | 1.0M 1/4 F         | 金 属 被 膜 抵 抗       |                             |      |
| R347    | RF357180 | Carbon Resistor (chip)   | 18.0K D 1608       | チ ッ プ 抵 抗         |                             |      |
| R348    | RF357180 | Carbon Resistor (chip)   | 18.0K D 1608       | チ ッ プ 抵 抗         |                             |      |
| R349    | RD356100 | Carbon Resistor (chip)   | 1.0K 63M J         | チ ッ プ 抵 抗         |                             | 01   |
| R350    | RD356100 | Carbon Resistor (chip)   | 1.0K 63M J         | チ ッ プ 抵 抗         |                             | 01   |
| R351    | RD354180 | Carbon Resistor (chip)   | 18.0 63M J         | チ ッ プ 抵 抗         |                             | 01   |
| -353    | RD354180 | Carbon Resistor (chip)   | 18.0 63M J         | チ ッ プ 抵 抗         |                             | 01   |
| SW301   | V2802500 | Slide Switch             | SS001-P223BDB-PA14 | ス ラ イ ド S W 2 - 3 | STEREO/BRIEGE/PARALELL      | 03   |
| SW302   | WA025500 | Slide Switch             | SS001-P242BPC-PA14 | ス ラ イ ド S W       | YS PROCESSING ON/OFF        | 03   |
| SW303   | V2802500 | Slide Switch             | SS001-P223BDB-PA14 | ス ラ イ ド S W 2 - 3 | OFF/SUBWOOFER/LOWCUT<br>Ach | 03   |
| SW304   | V2802500 | Slide Switch             | SS001-P223BDB-PA14 | ス ラ イ ド S W 2 - 3 | OFF/SUBWOOFER/LOWCUT<br>Bch | 03   |
| VR301   | V9791300 | Rotary Variable Resistor | C 100.0K XV012313  | 2 連 ロ ー タ リ ー V R | FREQUENCY Ach               | 04   |
| VR302   | V9791300 | Rotary Variable Resistor | C 100.0K XV012313  | 2 連 ロ ー タ リ ー V R | FREQUENCY Bch               | 04   |
| W301    | --       | Connector Assembly       | B&B                | 束 線 B & B         | (WD35980)                   |      |
| * *     | WD352300 | Circuit Board            | PS50 P5000S_A J    | シ ー ト P S 5 0     | P5000S_A J (X5600A0)        |      |
| * *     | WD352400 | Circuit Board            | PS50 P5000S_A U    | シ ー ト P S 5 0     | P5000S_A U,V,T (X5600A0)    |      |
| * *     | WD352500 | Circuit Board            | PS50 P5000S_A H    | シ ー ト P S 5 0     | P5000S_A H,W,B,O (X5600A0)  |      |
| * *     | WD352600 | Circuit Board            | PS50 P5000S_AA     | シ ー ト P S 5 0     | P5000S_AA (X5600A0)         |      |
| * *     | WD352700 | Circuit Board            | PS50 P5000S_A K    | シ ー ト P S 5 0     | P5000S_A K (X5600A0)        |      |
| 130     | --       | Grease                   | X-113A G746        | シ リ コ ン グ リ ス     | (VA79810)                   |      |
| 200     | WB448600 | Insulation Sheet         | RSI T=0.07         | 放 熱 シ ー ト         |                             | 01   |
| 210     | WA772200 | Fuse Holder              | WL-211             | ヒ ュ ー ズ ホ ル ダ     | J,U,V,T                     |      |
| 210     | VU801500 | Fuse Holder              | WL-210A            | ヒ ュ ー ズ ホ ル ダ     | H,W,B,O,A,K                 | 01   |
| 220     | EG330380 | Bind Head Screw          | 3.0X10 MFZN2BL     | + バ イ ン ド 小 ネ ジ   |                             | 01   |
| C401    | WA615400 | Mylar Capacitor          | 0.1000 63V J ST    | マ イ ラ ー コ ン       |                             |      |
| C402    | WB116000 | Capacitor                | 1.000 275V U.C.S   | 規 格 認 定 コ ン       |                             |      |
| C403    | WA862800 | Electrolytic Cap.        | 10.00 35.0V        | ケ ミ コ ン           |                             |      |
| C404    | UA652470 | Mylar Capacitor          | 470P 50V J         | マ イ ラ ー コ ン       |                             | 01   |
| C405    | WA862800 | Electrolytic Cap.        | 10.00 35.0V        | ケ ミ コ ン           |                             |      |
| C406    | WB116000 | Capacitor                | 1.000 275V U.C.S   | 規 格 認 定 コ ン       |                             |      |
| C407    | V9726400 | Electrolytic Cap.        | 100.00 16.0V       | ケ ミ コ ン           |                             | 01   |
| C408    | V6185400 | Capacitor                | 3300P 400V J.U.C.S | 規 格 認 定 コ ン       |                             | 01   |
| C408    | WD090900 | Capacitor                | 3300P 250V J.U.C.S | 規 格 認 定 コ ン       |                             |      |
| C409    | V6185400 | Capacitor                | 3300P 400V J.U.C.S | 規 格 認 定 コ ン       |                             | 01   |
| C409    | WD090900 | Capacitor                | 3300P 250V J.U.C.S | 規 格 認 定 コ ン       |                             |      |
| C410    | UA652470 | Mylar Capacitor          | 470P 50V J         | マ イ ラ ー コ ン       |                             | 01   |
| C411    | WB116000 | Capacitor                | 1.000 275V U.C.S   | 規 格 認 定 コ ン       |                             |      |
| C412    | FG651220 | Ceramic Capacitor-SL     | 22P 50V J          | セ ラ コ ン ( S L )   |                             | 01   |

\* : New parts (新規部品)

RANK : Japan only

| REF. NO. | PART NO. | DESCRIPTION             | 部 品 名              | REMARKS             | QTY           | RANK |
|----------|----------|-------------------------|--------------------|---------------------|---------------|------|
| C413     | V8499100 | Electrolytic Cap.       | 2200 200V          | ケ ミ コ ン             | J,H,W,B,O,A,K | 09   |
| C413     | WB543200 | Electrolytic Cap.       | 2800 200V          | ケ ミ コ ン             | U,V,T         |      |
| C414     | V8499100 | Electrolytic Cap.       | 2200 200V          | ケ ミ コ ン             | J,H,W,B,O,A,K | 09   |
| C414     | WB543200 | Electrolytic Cap.       | 2800 200V          | ケ ミ コ ン             | U,V,T         |      |
| C415     | FG644100 | Electrolytic Cap.       | 0.0100 50V Z       | セ ラ コ ン ( F )       |               | 01   |
| C416     | WB543200 | Electrolytic Cap.       | 2800 200V          | ケ ミ コ ン             | U,V,T         |      |
| C416     | V8499100 | Electrolytic Cap.       | 2200 200V          | ケ ミ コ ン             | J,H,W,B,O,A,K | 09   |
| C417     | WB543200 | Electrolytic Cap.       | 2800 200V          | ケ ミ コ ン             | U,V,T         |      |
| C417     | V8499100 | Electrolytic Cap.       | 2200 200V          | ケ ミ コ ン             | J,H,W,B,O,A,K | 09   |
| C418     | WA862800 | Electrolytic Cap.       | 10.00 35.0V        | ケ ミ コ ン             |               |      |
| C420     | WB543800 | Polypropylene Capacitor | 0.4700 400V J      | P P コ ン             | J             |      |
| C420     | WB544400 | Polypropylene Capacitor | 0.3900 400V J      | P P コ ン             | U,V,T         |      |
| C420     | WB544300 | Polypropylene Capacitor | 0.4300 400V J      | P P コ ン             | H,W,B,O,A,K   |      |
| C422     | WA862800 | Electrolytic Cap.       | 10.00 35.0V        | ケ ミ コ ン             |               |      |
| C423     | WA615400 | Mylar Capacitor         | 0.1000 63V J ST    | マ イ ラ - コ ン         |               |      |
| C424     | FG644100 | Electrolytic Cap.       | 0.0100 50V Z       | セ ラ コ ン ( F )       |               | 01   |
| C425     | V6113500 | Capacitor               | 1000P 400V J.U.C.S | 規 格 認 定 コ ン         |               |      |
| C425     | V6146500 | Capacitor               | 1000P 250V J.U.C.S | 規 格 認 定 コ ン K H     |               |      |
| C426     | V9726500 | Electrolytic Cap.       | 10.00 25.0V        | ケ ミ コ ン             |               | 01   |
| C427     | FG651220 | Ceramic Capacitor-SL    | 22P 50V J          | セ ラ コ ン ( S L )     |               | 01   |
| C428     | V9728100 | Electrolytic Cap.       | 470.00 35.0V       | ケ ミ コ ン             |               | 01   |
| C429     | WA862800 | Electrolytic Cap.       | 10.00 35.0V        | ケ ミ コ ン             |               |      |
| C430     | FG613100 | Ceramic Capacitor-B     | 1000P 50V K        | セ ラ コ ン ( B )       |               | 01   |
| C431     | WA615400 | Mylar Capacitor         | 0.1000 63V J ST    | マ イ ラ - コ ン         |               |      |
| C432     | WA862800 | Electrolytic Cap.       | 10.00 35.0V        | ケ ミ コ ン             |               |      |
| C433     | V9727600 | Electrolytic Cap.       | 4.7 50.0V          | ケ ミ コ ン             |               | 01   |
| C434     | WA615400 | Mylar Capacitor         | 0.1000 63V J ST    | マ イ ラ - コ ン         |               |      |
| C435     | FG644100 | Electrolytic Cap.       | 0.0100 50V Z       | セ ラ コ ン ( F )       |               | 01   |
| C436     | V9726600 | Electrolytic Cap.       | 47.00 25.0V        | ケ ミ コ ン             |               | 01   |
| C437     | WC015200 | Electrolytic Cap.       | 330.00 50.0V       | ケ ミ コ ン             |               |      |
| C438     | V8740200 | Electrolytic Cap.       | 560.00 200.0V      | ケ ミ コ ン G U         |               | 06   |
| C439     | V8740200 | Electrolytic Cap.       | 560.00 200.0V      | ケ ミ コ ン G U         |               | 06   |
| C440     | V8500200 | Electrolytic Cap.       | 470 50.0V          | ケ ミ コ ン P W         |               | 03   |
| C441     | V8500200 | Electrolytic Cap.       | 470 50.0V          | ケ ミ コ ン P W         |               | 03   |
| C442     | V9728000 | Electrolytic Cap.       | 47.00 50.0V        | ケ ミ コ ン             |               | 01   |
| C443     | V9728000 | Electrolytic Cap.       | 47.00 50.0V        | ケ ミ コ ン             |               | 01   |
| C444     | V8740200 | Electrolytic Cap.       | 560.00 200.0V      | ケ ミ コ ン G U         |               | 06   |
| C445     | V8740200 | Electrolytic Cap.       | 560.00 200.0V      | ケ ミ コ ン G U         |               | 06   |
| C446     | V9728000 | Electrolytic Cap.       | 47.00 50.0V        | ケ ミ コ ン             |               | 01   |
| C447     | V9727700 | Electrolytic Cap.       | 10.00 50.0V        | ケ ミ コ ン             |               |      |
| C448     | FG644100 | Electrolytic Cap.       | 0.0100 50V Z       | セ ラ コ ン ( F )       |               | 01   |
| C449     | FG651220 | Ceramic Capacitor-SL    | 22P 50V J          | セ ラ コ ン ( S L )     |               | 01   |
| C450     | V9727500 | Electrolytic Cap.       | 1.00 50.0V         | ケ ミ コ ン             |               | 01   |
| C451     | V9727700 | Electrolytic Cap.       | 10.00 50.0V        | ケ ミ コ ン             |               |      |
| C452     | V9727700 | Electrolytic Cap.       | 10.00 50.0V        | ケ ミ コ ン             |               |      |
| C453     | V9726300 | Electrolytic Cap.       | 470.00 10.0V       | ケ ミ コ ン             |               |      |
| C454     | WA615700 | Mylar Capacitor         | 0.4700 63V J ST    | マ イ ラ - コ ン         |               |      |
| C455     | WA615700 | Mylar Capacitor         | 0.4700 63V J ST    | マ イ ラ - コ ン         |               |      |
| C456     | FG644100 | Electrolytic Cap.       | 0.0100 50V Z       | セ ラ コ ン ( F )       |               | 01   |
| C457     | WB543800 | Polypropylene Capacitor | 0.4700 400V J      | P P コ ン             | J             |      |
| C457     | WB544400 | Polypropylene Capacitor | 0.3900 400V J      | P P コ ン             | U,V,A,T       |      |
| C457     | WB544300 | Polypropylene Capacitor | 0.4300 400V J      | P P コ ン             | H,W,B,K,O     |      |
| C458     | FG612100 | Ceramic Cap.-B          | 100P 50V K         | セ ラ コ ン B           |               | 01   |
| C459     | WA615700 | Mylar Capacitor         | CL23B-63V-474J     | マ イ ラ - コ ン         |               |      |
| CN401    | WA767700 | Fasten Terminal         | 16611BL-2          | フ ァ ス ト ン 端 子       |               |      |
| CN405    | WA767700 | Fasten Terminal         | 16611BL-2          | フ ァ ス ト ン 端 子       |               |      |
| CN406    | WA767700 | Fasten Terminal         | 16611BL-2          | フ ァ ス ト ン 端 子       | J,H,W,B,O     |      |
| CN408    | VB390000 | Connector Base Post     | PH- 4P TE          | コ ネ ク タ ベ ー ス ポ ス ト |               | 01   |
| CN409    | VB389800 | Connector Base Post     | PH- 2P TE          | コ ネ ク タ ベ ー ス ポ ス ト |               | 01   |
| CN410    | VB390600 | Connector Base Post     | PH-10P TE          | コ ネ ク タ ベ ー ス ポ ス ト |               | 01   |
| CN411    | VB390700 | Connector Base Post     | PH-11P TE          | コ ネ ク タ ベ ー ス ポ ス ト |               | 01   |
| CN412    | VB390700 | Connector Base Post     | PH-11P TE          | コ ネ ク タ ベ ー ス ポ ス ト |               | 01   |
| CN413    | VB389800 | Connector Base Post     | PH- 2P TE          | コ ネ ク タ ベ ー ス ポ ス ト |               | 01   |
| CN415    | WA767700 | Fasten Terminal         | 16611BL-2          | フ ァ ス ト ン 端 子       | J,H,W,B,O     |      |
| CN416    | WA767700 | Fasten Terminal         | 16611BL-2          | フ ァ ス ト ン 端 子       |               |      |
| D401     | V4833600 | Diode Stack             | RBV2506 25.0A 600V | ダ イ オ ー ド ス タ ッ ク   |               | 04   |
| D402     | VD631600 | Diode                   | 1SS133,176,HSS104  | ダ イ オ ー ド           |               | 01   |
| D403     | V8629800 | Diode                   | AG01A WS           | ダ イ オ ー ド           |               | 01   |
| D404     | WA757600 | Diode                   | AL01Z              | ダ イ オ ー ド           |               | 05   |
| D405     | WA757600 | Diode                   | AL01Z              | ダ イ オ ー ド           |               | 05   |

\* : New parts (新規部品)

RANK : Japan only



△  
△  
△  
△  
△  
△  
△  
△

△  
△  
△

△  
△

| REF NO. | PART NO. | DESCRIPTION                | 部 品 名              | REMARKS     | QTY                      | RANK |
|---------|----------|----------------------------|--------------------|-------------|--------------------------|------|
| D406    | V8629700 | Diode                      | RL3ALF014-302      |             |                          | 02   |
| D407    | V8629700 | Diode                      | RL3ALF014-302      |             |                          | 02   |
| D408    | WD543900 | Diode                      | 1N4004 DO-41       |             |                          |      |
| -411    | WD543900 | Diode                      | 1N4004 DO-41       |             |                          |      |
| D412    | VN399500 | Diode                      | FMU-36S 20.0A 600V |             |                          | 05   |
| D413    | V8498700 | Diode                      | FMU-36R 20.0A 600V |             |                          | 04   |
| D414    | WA757600 | Diode                      | AL01Z              |             |                          | 05   |
| -417    | WA757600 | Diode                      | AL01Z              |             |                          | 05   |
| D418    | WD543900 | Diode                      | 1N4004 DO-41       |             |                          |      |
| D419    | WA757600 | Diode                      | AL01Z              |             |                          | 05   |
| D420    | WA757600 | Diode                      | AL01Z              |             |                          | 05   |
| D421    | VD631600 | Diode                      | 1SS133,176,HSS104  |             |                          | 01   |
| D422    | VD631600 | Diode                      | 1SS133,176,HSS104  |             |                          | 01   |
| D423    | WD543900 | Diode                      | 1N4004 DO-41       |             |                          |      |
| D424    | VG440800 | Zener Diode                | MTZ J 15.0B 15.0V  |             |                          | 01   |
| D425    | VD631600 | Diode                      | 1SS133,176,HSS104  |             |                          | 01   |
| -427    | VD631600 | Diode                      | 1SS133,176,HSS104  |             |                          | 01   |
| D428    | VG437700 | Zener Diode                | MTZ J 5.6B 5.6V    |             |                          | 01   |
| D429    | VD631600 | Diode                      | 1SS133,176,HSS104  |             |                          | 01   |
| -432    | VD631600 | Diode                      | 1SS133,176,HSS104  |             |                          | 01   |
| D433    | VG440800 | Zener Diode                | MTZ J 15.0B 15.0V  |             |                          | 01   |
| D434    | VJ657300 | Diode                      | AK03 V0            |             |                          | 01   |
| D435    | VJ657300 | Diode                      | AK03 V0            |             |                          | 01   |
| D436    | VD631600 | Diode                      | 1SS133,176,HSS104  |             |                          | 01   |
| D437    | VG440200 | Zener Diode                | MTZ J 12.0B 12.0V  |             |                          | 01   |
| D438    | VG438300 | Zener Diode                | MTZ J 6.8B 6.8V    |             |                          | 01   |
| F401    | V8932000 | Fuse                       | 25.00A JU          | J           |                          | 03   |
| F401    | V8932100 | Fuse                       | 20.00A JU          | U,V,T       |                          | 03   |
| F401    | V5413700 | Fuse                       | TH10.00A IEC       | H,W,B,A,K,O |                          | 01   |
| H401    | --       | Heat Sink                  | OSV1545-L100-BPM   |             | (WB12260)                |      |
| H401    | --       | Heat Sink                  | #HS-P2-75-L100-1V  |             | (WD01060)                |      |
| H402    | --       | Heat Sink                  | OSV1545-L65-BPM    |             | (WB12270)                |      |
| H402    | --       | Heat Sink                  | #HS-P2-75-L65-1V   |             | (WD01070)                |      |
| IC401   | X2383A00 | IC                         | SG3525AN           | C           | Regulator                | 03   |
| IC402   | X2382A00 | IC                         | IR2110             | C           | High and Low Side Driver | 06   |
| IC403   | XD853A00 | IC                         | NJM7815FA          | C           | Regulator +15V           | 03   |
| IC404   | XD853A00 | IC                         | NJM7815FA          | C           | Regulator +15V           | 03   |
| IC405   | XD854A00 | IC                         | NJM7915FA          | C           | Regulator -15V           | 03   |
| J401    | --       | Jumper Wire                | 0.55               | J,U,V,T     | (VD04170)                |      |
| J402    | --       | Jumper Wire                | 0.55               | J,U,V,T     | (VD04170)                |      |
| J403    | --       | Jumper Wire                | 0.55               | H,W,B,A,K,O | (VD04170)                |      |
| J408    | --       | Jumper Wire                | 0.55               |             | (VD04170)                |      |
| J409    | --       | Jumper Wire                | 0.55               |             | (VD04170)                |      |
| J410    | --       | Jumper Wire                | 0.55               | U,V,A,K,T   | (VD04170)                |      |
| -413    | --       | Jumper Wire                | 0.55               | U,V,A,K,T   | (VD04170)                |      |
| J414    | --       | Jumper Wire                | 0.55               |             | (VD04170)                |      |
| J415    | --       | Jumper Wire                | 0.55               |             | (VD04170)                |      |
| K401    | WC533400 | Plate, GND                 | MLA8               |             |                          |      |
| L401    | V8740400 | Coil                       | SC-15-10JH         |             |                          |      |
| L402    | V9708500 | Coil                       | FY10502MREZ        |             |                          | 10   |
| L403    | VR929200 | Coil                       | LH L 08TB100K      |             |                          | 01   |
| -405    | VR929200 | Coil                       | LH L 08TB100K      |             |                          | 01   |
| PH401   | V8100500 | Photo Coupler              | TLP421 GR          |             |                          | 01   |
| PR401   | VM850600 | Positive Thermistor        | PTFM04BD222Q2N34B0 |             |                          | 04   |
| Q401    | V2797700 | Transistor                 | 2SC5395 E,F        |             |                          | 01   |
| Q402    | V2797600 | Transistor                 | 2SA1993 E,F        |             |                          | 01   |
| Q403    | VV911900 | Digital Transistor         | DTC114ESA-TP       |             |                          | 01   |
| Q404    | VD678500 | Digital Transistor         | DTA114ES           |             |                          | 01   |
| Q405    | VV911900 | Digital Transistor         | DTC114ESA-TP       |             |                          | 01   |
| Q406    | V8629500 | Insulated Gate Bipolar Tra | IRG4PC50U          |             |                          | 08   |
| Q407    | V8629500 | Insulated Gate Bipolar Tra | IRG4PC50U          |             |                          | 08   |
| Q408    | V2797600 | Transistor                 | 2SA1993 E,F        |             |                          | 01   |
| Q409    | V2797700 | Transistor                 | 2SC5395 E,F        |             |                          | 01   |
| -411    | V2797700 | Transistor                 | 2SC5395 E,F        |             |                          | 01   |
| Q412    | V2797600 | Transistor                 | 2SA1993 E,F        |             |                          | 01   |
| Q413    | VI242900 | Transistor                 | 2SA1020-Y(TPE6) Y  |             |                          | 01   |
| Q414    | V2797700 | Transistor                 | 2SC5395 E,F        |             |                          | 01   |
| Q415    | V2797700 | Transistor                 | 2SC5395 E,F        |             |                          | 01   |
| Q416    | VD678500 | Digital Transistor         | DTA114ES           |             |                          | 01   |
| Q417    | V2797600 | Transistor                 | 2SA1993 E,F        |             |                          | 01   |

\* : New parts (新規部品)

RANK : Japan only

| REF. NO. | PART NO. | DESCRIPTION               | 部 品 名         | REMARKS    | QTY | RANK |
|----------|----------|---------------------------|---------------|------------|-----|------|
| Q418     | VD678500 | Digital Transistor        | DTA114ES      | デジタルトランジスタ |     | 01   |
| Q419     | V2797700 | Transistor                | 2SC5395 E,F   | トランジスタ     |     | 01   |
| Q420     | V2797600 | Transistor                | 2SA1993 E,F   | トランジスタ     |     | 01   |
| Q421     | V2797700 | Transistor                | 2SC5395 E,F   | トランジスタ     |     | 01   |
| Q422     | V2797600 | Transistor                | 2SA1993 E,F   | トランジスタ     |     | 01   |
| Q423     | VQ547200 | Transistor                | 2SA1837 (HFE) | トランジスタ     |     | 03   |
| Q424     | VD678500 | Digital Transistor        | DTA114ES      | デジタルトランジスタ |     | 01   |
| Q425     | V2797600 | Transistor                | 2SA1993 E,F   | トランジスタ     |     | 01   |
| Q426     | V2797700 | Transistor                | 2SC5395 E,F   | トランジスタ     |     | 01   |
| -429     | V2797700 | Transistor                | 2SC5395 E,F   | トランジスタ     |     | 01   |
| R401     | HF457100 | Carbon Resistor           | 10.0K 1/4 J   | カーボン抵抗     |     | 01   |
| R402     | HB027200 | Metal Film Resistor       | 20.0K 1/4 F   | 金属被膜抵抗     |     | 01   |
| R403     | HF455560 | Carbon Resistor           | 560.0 1/4 J   | カーボン抵抗     |     | 01   |
| R404     | HF455560 | Carbon Resistor           | 560.0 1/4 J   | カーボン抵抗     |     | 01   |
| R405     | HF455330 | Carbon Resistor           | 330.0 1/4 J   | カーボン抵抗     |     | 01   |
| R406     | HF457240 | Carbon Resistor           | 24.0K 1/4 J   | カーボン抵抗     |     | 01   |
| R407     | HF458120 | Carbon Resistor           | 120.0K 1/4 J  | カーボン抵抗     |     | 01   |
| R408     | HF457220 | Carbon Resistor           | 22.0K 1/4 J   | カーボン抵抗     |     | 01   |
| R409     | HF456470 | Carbon Resistor           | 4.7K 1/4 J    | カーボン抵抗     |     | 01   |
| △ R410   | HF458220 | Carbon Resistor           | 220.0K 1/4 J  | カーボン抵抗     |     | 01   |
| △ R411   | HF458220 | Carbon Resistor           | 220.0K 1/4 J  | カーボン抵抗     |     | 01   |
| R412     | HF457100 | Carbon Resistor           | 10.0K 1/4 J   | カーボン抵抗     |     | 01   |
| R413     | HF457100 | Carbon Resistor           | 10.0K 1/4 J   | カーボン抵抗     |     | 01   |
| R414     | HF456470 | Carbon Resistor           | 4.7K 1/4 J    | カーボン抵抗     |     | 01   |
| R415     | HF457220 | Carbon Resistor           | 22.0K 1/4 J   | カーボン抵抗     |     | 01   |
| △ R416   | VN067400 | Wire Wound Resistor       | 6.8 5W K      | セメント抵抗     |     | 03   |
| R417     | VC766300 | Metal Oxide Film Resistor | 100.0K 2W J   | 酸化金属被膜抵抗   |     | 01   |
| R418     | VC766300 | Metal Oxide Film Resistor | 100.0K 2W J   | 酸化金属被膜抵抗   |     | 01   |
| R419     | HV753470 | Flame Proof C. Resistor   | 4.7 1/4 J     | 不燃化カーボン抵抗  |     | 01   |
| R420     | HV754100 | Flame Proof C. Resistor   | 10.0 1/4 J    | 不燃化カーボン抵抗  |     | 01   |
| R421     | HV754100 | Flame Proof C. Resistor   | 10.0 1/4 J    | 不燃化カーボン抵抗  |     | 01   |
| R422     | HF456330 | Carbon Resistor           | 3.3K 1/4 J    | カーボン抵抗     |     | 01   |
| R423     | HF456470 | Carbon Resistor           | 4.7K 1/4 J    | カーボン抵抗     |     | 01   |
| R424     | VZ370200 | Wire Wound Resistor       | 0.1 5W K      | セメント抵抗     |     | 01   |
| -427     | VZ370200 | Wire Wound Resistor       | 0.1 5W K      | セメント抵抗     |     | 01   |
| * R428   | WD407200 | Metal Oxide Film Resistor | 10.0K 3W J    | 酸化金属被膜抵抗   |     | 01   |
| R429     | HV753220 | Flame Proof C. Resistor   | 2.2 1/4 J     | 不燃化カーボン抵抗  |     | 01   |
| R430     | HV753220 | Flame Proof C. Resistor   | 2.2 1/4 J     | 不燃化カーボン抵抗  |     | 01   |
| R431     | HF457100 | Carbon Resistor           | 10.0K 1/4 J   | カーボン抵抗     |     | 01   |
| R432     | HF457220 | Carbon Resistor           | 22.0K 1/4 J   | カーボン抵抗     |     | 01   |
| R433     | HF457470 | Carbon Resistor           | 47.0K 1/4 J   | カーボン抵抗     |     | 01   |
| R434     | HF458220 | Carbon Resistor           | 220.0K 1/4 J  | カーボン抵抗     |     | 01   |
| * R435   | WD407200 | Metal Oxide Film Resistor | 10.0K 3W J    | 酸化金属被膜抵抗   |     | 01   |
| R436     | HF457560 | Carbon Resistor           | 56.0K 1/4 J   | カーボン抵抗     |     | 01   |
| R437     | HF458150 | Carbon Resistor           | 150.0K 1/4 J  | カーボン抵抗     |     | 01   |
| R438     | HF457680 | Carbon Resistor           | 68.0K 1/4 J   | カーボン抵抗     |     | 01   |
| R439     | HF457150 | Carbon Resistor           | 15.0K 1/4 J   | カーボン抵抗     |     | 01   |
| R440     | HF457100 | Carbon Resistor           | 10.0K 1/4 J   | カーボン抵抗     |     | 01   |
| R441     | HF456120 | Carbon Resistor           | 1.2K 1/4 J    | カーボン抵抗     |     | 01   |
| R442     | HF457100 | Carbon Resistor           | 10.0K 1/4 J   | カーボン抵抗     |     | 01   |
| R443     | HF458100 | Carbon Resistor           | 100.0K 1/4 J  | カーボン抵抗     |     | 01   |
| R444     | HF457470 | Carbon Resistor           | 47.0K 1/4 J   | カーボン抵抗     |     | 01   |
| R445     | HF457470 | Carbon Resistor           | 47.0K 1/4 J   | カーボン抵抗     |     | 01   |
| R446     | HF458220 | Carbon Resistor           | 220.0K 1/4 J  | カーボン抵抗     |     | 01   |
| R447     | HF457680 | Carbon Resistor           | 68.0K 1/4 J   | カーボン抵抗     |     | 01   |
| R448     | HF457560 | Carbon Resistor           | 56.0K 1/4 J   | カーボン抵抗     |     | 01   |
| R449     | HF456120 | Carbon Resistor           | 1.2K 1/4 J    | カーボン抵抗     |     | 01   |
| R450     | HF454100 | Carbon Resistor           | 10.0 1/4 J    | カーボン抵抗     |     | 01   |
| △ R451   | VN067400 | Wire Wound Resistor       | 6.8 5W K      | セメント抵抗     |     | 03   |
| R452     | HF457220 | Carbon Resistor           | 22.0K 1/4 J   | カーボン抵抗     |     | 01   |
| R453     | HF457100 | Carbon Resistor           | 10.0K 1/4 J   | カーボン抵抗     |     | 01   |
| R454     | HF457560 | Carbon Resistor           | 56.0K 1/4 J   | カーボン抵抗     |     | 01   |
| R455     | HF458100 | Carbon Resistor           | 100.0K 1/4 J  | カーボン抵抗     |     | 01   |
| R456     | HF458100 | Carbon Resistor           | 100.0K 1/4 J  | カーボン抵抗     |     | 01   |
| R457     | HF456820 | Carbon Resistor           | 8.2K 1/4 J    | カーボン抵抗     |     | 01   |
| R458     | HF455330 | Carbon Resistor           | 330.0 1/4 J   | カーボン抵抗     |     | 01   |
| R459     | HF456560 | Carbon Resistor           | 5.6K 1/4 J    | カーボン抵抗     |     | 01   |
| R460     | HF456820 | Carbon Resistor           | 8.2K 1/4 J    | カーボン抵抗     |     | 01   |
| R461     | HF456180 | Carbon Resistor           | 1.8K 1/4 J    | カーボン抵抗     |     | 01   |
| R462     | HF456180 | Carbon Resistor           | 1.8K 1/4 J    | カーボン抵抗     |     | 01   |

\* : New parts (新規部品)

RANK : Japan only



| REF NO. | PART NO. | DESCRIPTION             | 部 品 名              | REMARKS           | QTY                        | RANK |
|---------|----------|-------------------------|--------------------|-------------------|----------------------------|------|
| R463    | HF455330 | Carbon Resistor         | 330.0 1/4 J        | 力 - ボ ン 抵 抗       |                            | 01   |
| R464    | HF456180 | Carbon Resistor         | 1.8K 1/4 J         | 力 - ボ ン 抵 抗       |                            | 01   |
| R465    | HF456180 | Carbon Resistor         | 1.8K 1/4 J         | 力 - ボ ン 抵 抗       |                            | 01   |
| R466    | HF456820 | Carbon Resistor         | 8.2K 1/4 J         | 力 - ボ ン 抵 抗       |                            | 01   |
| R467    | HF455220 | Carbon Resistor         | 220.0 1/4 J        | 力 - ボ ン 抵 抗       |                            | 01   |
| R468    | HF456680 | Carbon Resistor         | 6.8K 1/4 J         | 力 - ボ ン 抵 抗       |                            | 01   |
| R469    | HF456180 | Carbon Resistor         | 1.8K 1/4 J         | 力 - ボ ン 抵 抗       |                            | 01   |
| R470    | HF456180 | Carbon Resistor         | 1.8K 1/4 J         | 力 - ボ ン 抵 抗       |                            | 01   |
| R471    | HF458120 | Carbon Resistor         | 120.0K 1/4 J       | 力 - ボ ン 抵 抗       |                            | 01   |
| R472    | HF458120 | Carbon Resistor         | 120.0K 1/4 J       | 力 - ボ ン 抵 抗       |                            | 01   |
| R473    | HF458220 | Carbon Resistor         | 220.0K 1/4 J       | 力 - ボ ン 抵 抗       |                            | 01   |
| R474    | HF455220 | Carbon Resistor         | 220.0 1/4 J        | 力 - ボ ン 抵 抗       |                            | 01   |
| R475    | HF458220 | Carbon Resistor         | 220.0K 1/4 J       | 力 - ボ ン 抵 抗       |                            | 01   |
| R476    | HF456270 | Carbon Resistor         | 2.7K 1/4 J         | 力 - ボ ン 抵 抗       |                            | 01   |
| R477    | HF456270 | Carbon Resistor         | 2.7K 1/4 J         | 力 - ボ ン 抵 抗       |                            | 01   |
| R478    | HF456560 | Carbon Resistor         | 5.6K 1/4 J         | 力 - ボ ン 抵 抗       |                            | 01   |
| R479    | HV753470 | Flame Proof C. Resistor | 4.7 1/4 J          | 不 燃 化 力 - ボ ン 抵 抗 |                            | 01   |
| R480    | HF457150 | Carbon Resistor         | 15.0K 1/4 J        | 力 - ボ ン 抵 抗       |                            | 01   |
| R481    | HF457150 | Carbon Resistor         | 15.0K 1/4 J        | 力 - ボ ン 抵 抗       |                            | 01   |
| R482    | HV753100 | Flame Proof C. Resistor | 1.0 1/4 J          | 不 燃 化 力 - ボ ン 抵 抗 |                            | 01   |
| RY401   | V8628500 | Relay                   | JM1AN-P-DC24V      | リ レ               |                            | 07   |
| T401    | X5642A00 | Power Transformer       | A                  | 電 源 ト ラ ン ス       | J                          |      |
| T401    | X5643A00 | Power Transformer       | UL,CSAA            | 電 源 ト ラ ン ス       | U,V,T                      |      |
| T401    | X5644A00 | Power Transformer       | CE E               | 電 源 ト ラ ン ス       | H,W,B,K,O                  |      |
| T401    | X5645A00 | Power Transformer       | CE E               | 電 源 ト ラ ン ス       | A                          |      |
| T402    | X5639A00 | Power Transformer       | A                  | 電 源 ト ラ ン ス       | J                          |      |
| T402    | X5640A00 | Power Transformer       | UL CSAA            | 電 源 ト ラ ン ス       | U,V,A,T                    |      |
| T402    | X5641A00 | Power Transformer       | CE E               | 電 源 ト ラ ン ス       | H,W,B,K,O                  |      |
| W401    | --       | Connector Assembly      | B&C                | 束 線 B & C         | (WD36000)                  |      |
| W402    | --       | Connector Assembly      | B&C                | 束 線               | (WD36010)                  |      |
| W403    | --       | Connector Assembly      | B&C                | 束 線               | (WD36020)                  |      |
| W406    | --       | Connector Assembly      | B&C                | 束 線               | (WD36030)                  |      |
| W407    | --       | Connector Assembly      | B&C                | 束 線               | (WD36040)                  |      |
| W408    | --       | Connector Assembly      | B&C                | 束 線               | (WD36050)                  |      |
| *       | WD351800 | Circuit Board           | PS70 P7000S_A J    | シ ー ト P S 7 0     | P7000S_A J (X5600A0)       |      |
| *       | WD351900 | Circuit Board           | PS70 P7000S_A U    | シ ー ト P S 7 0     | P7000S_A U,V,T (X5600A0)   |      |
| *       | WD352000 | Circuit Board           | PS70 P7000S_A H    | シ ー ト P S 7 0     | P7000S_A H,W,B,O (X5600A0) |      |
| *       | WD352100 | Circuit Board           | PS70 P7000S_A A    | シ ー ト P S 7 0     | P7000S_A A (X5600A0)       |      |
| *       | WD352200 | Circuit Board           | PS70 P7000S_A K    | シ ー ト P S 7 0     | P7000S_A K (X5600A0)       |      |
| 130     | --       | Grease                  | X-113A G746        | シ リ コ ン グ リ ス     | (VA79810)                  |      |
| 200     | WB448600 | Insulation Sheet        | RSI T=0.07         | 放 熱 シ ー ト         |                            | 01   |
| 210     | WA772200 | Fuse Holder             | WL-211             | ヒ ュ ー ス ホ ル ダ     | J,U,V,T                    |      |
| 210     | VU801500 | Fuse Holder             | WL-210A            | ヒ ュ ー ス ホ ル ダ     | H,W,B,O,A,K                | 01   |
| 220     | EG330380 | Bind Head Screw         | 3.0X10 MFZN2BL     | + バ イ ン ド 小 ネ ジ   |                            | 01   |
| C401    | WA615400 | Mylar Capacitor         | 0.1000 63V J ST    | マ イ ラ ー コ ン       |                            |      |
| C402    | WB116000 | Capacitor               | 1.000 275V U.C.S   | 規 格 認 定 コ ン       |                            |      |
| C403    | WA862800 | Electrolytic Cap.       | 10.00 35.0V        | ケ ミ コ ン           |                            |      |
| C404    | UA652470 | Mylar Capacitor         | 470P 50V J         | マ イ ラ ー コ ン       |                            | 01   |
| C405    | WA862800 | Electrolytic Cap.       | 10.00 35.0V        | ケ ミ コ ン           |                            |      |
| C406    | WB116000 | Capacitor               | 1.000 275V U.C.S   | 規 格 認 定 コ ン       |                            |      |
| C407    | V9726400 | Electrolytic Cap.       | 100.00 16.0V       | ケ ミ コ ン           |                            | 01   |
| C408    | V6185400 | Capacitor               | 3300P 400V J.U.C.S | 規 格 認 定 コ ン       |                            | 01   |
| C408    | WD090900 | Capacitor               | 3300P 250V J.U.C.S | 規 格 認 定 コ ン       |                            |      |
| C409    | V6185400 | Capacitor               | 3300P 400V J.U.C.S | 規 格 認 定 コ ン       |                            | 01   |
| C409    | WD090900 | Capacitor               | 3300P 250V J.U.C.S | 規 格 認 定 コ ン       |                            |      |
| C410    | UA652470 | Mylar Capacitor         | 470P 50V J         | マ イ ラ ー コ ン       |                            | 01   |
| C411    | WB116000 | Capacitor               | 1.000 275V U.C.S   | 規 格 認 定 コ ン       |                            |      |
| C412    | FG651220 | Ceramic Capacitor-SL    | 22P 50V J          | セ ラ コ ン ( S L )   |                            | 01   |
| C413    | WB543100 | Electrolytic Cap.       | 3300 180V          | ケ ミ コ ン           | J                          |      |
| C413    | V8499100 | Electrolytic Cap.       | 2200 200V          | ケ ミ コ ン           | U,V,T                      | 09   |
| C413    | WB543200 | Electrolytic Cap.       | 2800 200V          | ケ ミ コ ン           | H,W,B,O,A,K                |      |
| C414    | WB543100 | Electrolytic Cap.       | 3300 180V          | ケ ミ コ ン           | J                          |      |
| C414    | V8499100 | Electrolytic Cap.       | 2200 200V          | ケ ミ コ ン           | U,V,T                      | 09   |
| C414    | WB543200 | Electrolytic Cap.       | 2800 200V          | ケ ミ コ ン           | H,W,B,O,A,K                |      |
| C415    | FG644100 | Electrolytic Cap.       | 0.0100 50V Z       | セ ラ コ ン ( F )     |                            | 01   |
| C416    | WB543100 | Electrolytic Cap.       | 3300 180V          | ケ ミ コ ン           | J                          |      |
| C416    | V8499100 | Electrolytic Cap.       | 2200 200V          | ケ ミ コ ン           | U,V,T                      | 09   |
| C416    | WB543200 | Electrolytic Cap.       | 2800 200V          | ケ ミ コ ン           | H,W,B,O,A,K                |      |
| C417    | WB543100 | Electrolytic Cap.       | 3300 180V          | ケ ミ コ ン           | J                          |      |

\* : New parts (新規部品)

RANK : Japan only

| REF. NO. | PART NO. | DESCRIPTION             | 部 品 名              | REMARKS             | QTY                  | RANK |
|----------|----------|-------------------------|--------------------|---------------------|----------------------|------|
| C417     | V8499100 | Electrolytic Cap.       | 2200 200V          | ケ ミ コ ン             |                      | 09   |
| C417     | WB543200 | Electrolytic Cap.       | 2800 200V          | ケ ミ コ ン             | U,V,T<br>H,W,B,O,A,K |      |
| C418     | WA862800 | Electrolytic Cap.       | 10.00 35.0V        | ケ ミ コ ン             |                      |      |
| C420     | WB543800 | Polypropylene Capacitor | 0.4700 400V J      | P P コ ン             | J                    |      |
| C420     | WB544400 | Polypropylene Capacitor | 0.3900 400V J      | P P コ ン             | U,V,T,A              |      |
| C420     | WB544300 | Polypropylene Capacitor | 0.4300 400V J      | P P コ ン             | H,W,B,O,K            |      |
| C422     | WA862800 | Electrolytic Cap.       | 10.00 35.0V        | ケ ミ コ ン             |                      |      |
| C423     | WA615400 | Mylar Capacitor         | 0.1000 63V J ST    | マ イ ラ - コ ン         |                      |      |
| C424     | FG644100 | Electrolytic Cap.       | 0.0100 50V Z       | セ ラ コ ン ( F )       |                      | 01   |
| C425     | V6113500 | Capacitor               | 1000P 400V J.U.C.S | 規 格 認 定 コ ン         |                      |      |
| C425     | V6146500 | Capacitor               | 1000P 250V J.U.C.S | 規 格 認 定 コ ン K H     |                      |      |
| C426     | V9726500 | Electrolytic Cap.       | 10.00 25.0V        | ケ ミ コ ン             |                      | 01   |
| C427     | FG651220 | Ceramic Capacitor-SL    | 22P 50V J          | セ ラ コ ン ( S L )     |                      | 01   |
| C428     | V9728100 | Electrolytic Cap.       | 470.00 35.0V       | ケ ミ コ ン             |                      | 01   |
| C429     | WA862800 | Electrolytic Cap.       | 10.00 35.0V        | ケ ミ コ ン             |                      |      |
| C430     | FG613100 | Ceramic Capacitor-B     | 1000P 50V K        | セ ラ コ ン ( B )       |                      | 01   |
| C431     | WA615400 | Mylar Capacitor         | 0.1000 63V J ST    | マ イ ラ - コ ン         |                      |      |
| C432     | WA862800 | Electrolytic Cap.       | 10.00 35.0V        | ケ ミ コ ン             |                      |      |
| C433     | V9727600 | Electrolytic Cap.       | 4.7 50.0V          | ケ ミ コ ン             |                      | 01   |
| C434     | WA615400 | Mylar Capacitor         | 0.1000 63V J ST    | マ イ ラ - コ ン         |                      |      |
| C435     | FG644100 | Electrolytic Cap.       | 0.0100 50V Z       | セ ラ コ ン ( F )       |                      | 01   |
| C436     | V9726600 | Electrolytic Cap.       | 47.00 25.0V        | ケ ミ コ ン             |                      | 01   |
| C437     | WC015200 | Electrolytic Cap.       | 330.00 50.0V       | ケ ミ コ ン             |                      |      |
| C438     | V8740200 | Electrolytic Cap.       | 560.00 200.0V      | ケ ミ コ ン G U         |                      | 06   |
| C439     | V8740200 | Electrolytic Cap.       | 560.00 200.0V      | ケ ミ コ ン G U         |                      | 06   |
| C440     | V8500200 | Electrolytic Cap.       | 470 50.0V          | ケ ミ コ ン P W         |                      | 03   |
| C441     | V8500200 | Electrolytic Cap.       | 470 50.0V          | ケ ミ コ ン P W         |                      | 03   |
| C442     | V9728000 | Electrolytic Cap.       | 47.00 50.0V        | ケ ミ コ ン             |                      | 01   |
| C443     | V9728000 | Electrolytic Cap.       | 47.00 50.0V        | ケ ミ コ ン             |                      | 01   |
| C444     | V8740200 | Electrolytic Cap.       | 560.00 200.0V      | ケ ミ コ ン G U         |                      | 06   |
| C445     | V8740200 | Electrolytic Cap.       | 560.00 200.0V      | ケ ミ コ ン G U         |                      | 06   |
| C446     | V9728000 | Electrolytic Cap.       | 47.00 50.0V        | ケ ミ コ ン             |                      | 01   |
| C447     | V9727700 | Electrolytic Cap.       | 10.00 50.0V        | ケ ミ コ ン             |                      |      |
| C448     | FG644100 | Electrolytic Cap.       | 0.0100 50V Z       | セ ラ コ ン ( F )       |                      | 01   |
| C449     | FG651220 | Ceramic Capacitor-SL    | 22P 50V J          | セ ラ コ ン ( S L )     |                      | 01   |
| C450     | V9727500 | Electrolytic Cap.       | 1.00 50.0V         | ケ ミ コ ン             |                      | 01   |
| C451     | V9727700 | Electrolytic Cap.       | 10.00 50.0V        | ケ ミ コ ン             |                      |      |
| C452     | V9727700 | Electrolytic Cap.       | 10.00 50.0V        | ケ ミ コ ン             |                      |      |
| C453     | V9726300 | Electrolytic Cap.       | 470.00 10.0V       | ケ ミ コ ン             |                      |      |
| C454     | WA615700 | Mylar Capacitor         | 0.4700 63V J ST    | マ イ ラ - コ ン         |                      |      |
| C455     | WA615700 | Mylar Capacitor         | 0.4700 63V J ST    | マ イ ラ - コ ン         |                      |      |
| C456     | FG644100 | Electrolytic Cap.       | 0.0100 50V Z       | セ ラ コ ン ( F )       |                      | 01   |
| C457     | WB543800 | Polypropylene Capacitor | 0.4700 400V J      | P P コ ン             | J                    |      |
| C457     | WB544400 | Polypropylene Capacitor | 0.3900 400V J      | P P コ ン             | U,V,T,A              |      |
| C457     | WB544300 | Polypropylene Capacitor | 0.4300 400V J      | P P コ ン             | H,W,B,K,O            |      |
| C458     | FG612100 | Ceramic Cap.-B          | 100P 50V K         | セ ラ コ ン B           |                      | 01   |
| C459     | WA615700 | Mylar Capacitor         | CL23B-63V-474J     | マ イ ラ - コ ン         |                      |      |
| CN401    | WA767700 | Fasten Terminal         | 16611BL-2          | フ ァ ス ト ン 端 子       |                      |      |
| -405     | WA767700 | Fasten Terminal         | 16611BL-2          | フ ァ ス ト ン 端 子       |                      |      |
| CN406    | WA767700 | Fasten Terminal         | 16611BL-2          | フ ァ ス ト ン 端 子       | J,H,W,B,O            |      |
| CN408    | VB390000 | Connector Base Post     | PH- 4P TE          | コ ネ ク タ ベ ー ス ポ ス ト |                      | 01   |
| CN409    | VB389800 | Connector Base Post     | PH- 2P TE          | コ ネ ク タ ベ ー ス ポ ス ト |                      | 01   |
| CN410    | VB390600 | Connector Base Post     | PH-10P TE          | コ ネ ク タ ベ ー ス ポ ス ト |                      | 01   |
| CN411    | VB390700 | Connector Base Post     | PH-11P TE          | コ ネ ク タ ベ ー ス ポ ス ト |                      | 01   |
| CN412    | VB390700 | Connector Base Post     | PH-11P TE          | コ ネ ク タ ベ ー ス ポ ス ト |                      | 01   |
| CN413    | VB389800 | Connector Base Post     | PH- 2P TE          | コ ネ ク タ ベ ー ス ポ ス ト |                      | 01   |
| CN415    | WA767700 | Fasten Terminal         | 16611BL-2          | フ ァ ス ト ン 端 子       | J,H,W,B,O            |      |
| CN416    | WA767700 | Fasten Terminal         | 16611BL-2          | フ ァ ス ト ン 端 子       |                      |      |
| D401     | V4833600 | Diode Stack             | RBV2506 25.0A 600V | ダ イ オ ー ス タ ッ ク     |                      | 04   |
| D402     | VD631600 | Diode                   | 1SS133,176,HSS104  | ダ イ オ ー ド           |                      | 01   |
| D403     | V8629800 | Diode                   | AG01A WS           | ダ イ オ ー ド           |                      | 01   |
| D404     | WA757600 | Diode                   | AL01Z              | ダ イ オ ー ド           |                      | 05   |
| D405     | WA757600 | Diode                   | AL01Z              | ダ イ オ ー ド           |                      | 05   |
| D406     | V8629700 | Diode                   | RL3ALF014-302      | ダ イ オ ー ド           |                      | 02   |
| D407     | V8629700 | Diode                   | RL3ALF014-302      | ダ イ オ ー ド           |                      | 02   |
| D408     | WD543900 | Diode                   | 1N4004 DO-41       | ダ イ オ ー ド           |                      |      |
| -411     | WD543900 | Diode                   | 1N4004 DO-41       | ダ イ オ ー ド           |                      |      |
| D412     | VN399500 | Diode                   | FMU-36S 20.0A 600V | ダ イ オ ー ド ス タ ッ ク   |                      | 05   |
| D413     | V8498700 | Diode                   | FMU-36R 20.0A 600V | ダ イ オ ー ド ス タ ッ ク   |                      | 04   |
| D414     | WA757600 | Diode                   | AL01Z              | ダ イ オ ー ド           |                      | 05   |

\* : New parts (新規部品)

RANK : Japan only

△  
△  
△

△  
△  
△

△  
△

| REF NO. | PART NO. | DESCRIPTION                | 部 品 名              | REMARKS                  | QTY                   | RANK |
|---------|----------|----------------------------|--------------------|--------------------------|-----------------------|------|
| -417    | WA757600 | Diode                      | AL01Z              | ダイオード                    |                       | 05   |
| D418    | WD543900 | Diode                      | 1N4004 DO-41       | ダイオード                    |                       |      |
| D419    | WA757600 | Diode                      | AL01Z              | ダイオード                    |                       | 05   |
| D420    | WA757600 | Diode                      | AL01Z              | ダイオード                    |                       | 05   |
| D421    | VD631600 | Diode                      | 1SS133,176,HSS104  | ダイオード                    |                       | 01   |
| D422    | VD631600 | Diode                      | 1SS133,176,HSS104  | ダイオード                    |                       | 01   |
| D423    | WD543900 | Diode                      | 1N4004 DO-41       | ダイオード                    |                       |      |
| D424    | VG440800 | Zener Diode                | MTZ J 15.0B 15.0V  | ツェナーダイオード                |                       | 01   |
| D425    | VD631600 | Diode                      | 1SS133,176,HSS104  | ダイオード                    |                       | 01   |
| -427    | VD631600 | Diode                      | 1SS133,176,HSS104  | ダイオード                    |                       | 01   |
| D428    | VG437700 | Zener Diode                | MTZ J 5.6B 5.6V    | ツェナーダイオード                |                       | 01   |
| D429    | VD631600 | Diode                      | 1SS133,176,HSS104  | ダイオード                    |                       | 01   |
| -432    | VD631600 | Diode                      | 1SS133,176,HSS104  | ダイオード                    |                       | 01   |
| D433    | VG440800 | Zener Diode                | MTZ J 15.0B 15.0V  | ツェナーダイオード                |                       | 01   |
| D434    | VJ657300 | Diode                      | AK03 V0            | ダイオード                    |                       | 01   |
| D435    | VJ657300 | Diode                      | AK03 V0            | ダイオード                    |                       | 01   |
| D436    | VD631600 | Diode                      | 1SS133,176,HSS104  | ダイオード                    |                       | 01   |
| D437    | VG440200 | Zener Diode                | MTZ J 12.0B 12.0V  | ツェナーダイオード                |                       | 01   |
| D438    | VG438300 | Zener Diode                | MTZ J 6.8B 6.8V    | ツェナーダイオード                |                       | 01   |
| F401    | WA864500 | Fuse                       | 30.00A JU          | ヒューズ                     | J                     |      |
| F401    | V8932000 | Fuse                       | 25.00A JU          | ヒューズ                     | U,V,T                 | 03   |
| F401    | V5413700 | Fuse                       | TH10.00A IEC       | ヒューズ                     | H,W,B,A,K,O           | 01   |
| H401    | --       | Heat Sink                  | OSV1545-L100-BPM   | ヒートシンク                   | (WB12260)             |      |
| H401    | --       | Heat Sink                  | #HS-P2-75-L100-1V  | ヒートシンク                   | (WD01060)             |      |
| H402    | --       | Heat Sink                  | OSV1545-L65-BPM    | ヒートシンク                   | (WB12270)             |      |
| H402    | --       | Heat Sink                  | #HS-P2-75-L65-1V   | ヒートシンク                   | (WD01070)             |      |
| IC401   | X2383A00 | IC                         | SG3525AN           | レギュレーター                  |                       | 03   |
| IC402   | X2382A00 | IC                         | IR2110             | High and Low Side Driver |                       | 06   |
| IC403   | XD853A00 | IC                         | NJM7815FA          | レギュレーター +15V             |                       | 03   |
| IC404   | XD853A00 | IC                         | NJM7815FA          | レギュレーター +15V             |                       | 03   |
| IC405   | XD854A00 | IC                         | NJM7915FA          | レギュレーター -15V             |                       | 03   |
| J401    | --       | Jumper Wire                | 0.55               | ジャンパー線                   | J,U,V,T (VD04170)     |      |
| J402    | --       | Jumper Wire                | 0.55               | ジャンパー線                   | J,U,V,T (VD04170)     |      |
| J403    | --       | Jumper Wire                | 0.55               | ジャンパー線                   | H,W,B,A,K,O (VD04170) |      |
| J408    | --       | Jumper Wire                | 0.55               | ジャンパー線                   | (VD04170)             |      |
| J409    | --       | Jumper Wire                | 0.55               | ジャンパー線                   | (VD04170)             |      |
| J410    | --       | Jumper Wire                | 0.55               | ジャンパー線                   | U,V,A,K,T (VD04170)   |      |
| -413    | --       | Jumper Wire                | 0.55               | ジャンパー線                   | U,V,A,K,T (VD04170)   |      |
| J414    | --       | Jumper Wire                | 0.55               | ジャンパー線                   | (VD04170)             |      |
| J415    | --       | Jumper Wire                | 0.55               | ジャンパー線                   | (VD04170)             |      |
| K401    | WC533400 | Plate, GND                 | MLA8               | プレート GND                 |                       |      |
| L401    | V8740400 | Coil                       | SC-15-10JH         | コイル                      |                       |      |
| L402    | V9708500 | Coil                       | FY10502MREZ        | コイル 5ミリ                  |                       | 10   |
| L403    | VR929200 | Coil                       | LH L 08TB100K      | コイル 10UH                 |                       | 01   |
| -405    | VR929200 | Coil                       | LH L 08TB100K      | コイル 10UH                 |                       | 01   |
| PH401   | V8100500 | Photo Coupler              | TLP421 GR          | フォトカプラ                   |                       | 01   |
| PR401   | VM850600 | Positive Thermistor        | PTFM04BD222Q2N34B0 | ポジスタ                     |                       | 04   |
| Q401    | V2797700 | Transistor                 | 2SC5395 E,F        | トランジスタ                   |                       | 01   |
| Q402    | V2797600 | Transistor                 | 2SA1993 E,F        | トランジスタ                   |                       | 01   |
| Q403    | VV911900 | Digital Transistor         | DTC114ESA-TP       | デジタルトランジスタ               |                       | 01   |
| Q404    | VD678500 | Digital Transistor         | DTA114ES           | デジタルトランジスタ               |                       | 01   |
| Q405    | VV911900 | Digital Transistor         | DTC114ESA-TP       | デジタルトランジスタ               |                       | 01   |
| Q406    | V8629500 | Insulated Gate Bipolar Tra | IRG4PC50U          | IGBT                     |                       | 08   |
| Q407    | V8629500 | Insulated Gate Bipolar Tra | IRG4PC50U          | IGBT                     |                       | 08   |
| Q408    | V2797600 | Transistor                 | 2SA1993 E,F        | トランジスタ                   |                       | 01   |
| Q409    | V2797700 | Transistor                 | 2SC5395 E,F        | トランジスタ                   |                       | 01   |
| -411    | V2797700 | Transistor                 | 2SC5395 E,F        | トランジスタ                   |                       | 01   |
| Q412    | V2797600 | Transistor                 | 2SA1993 E,F        | トランジスタ                   |                       | 01   |
| Q413    | VI242900 | Transistor                 | 2SA1020-Y(TPE6) Y  | トランジスタ                   |                       | 01   |
| Q414    | V2797700 | Transistor                 | 2SC5395 E,F        | トランジスタ                   |                       | 01   |
| Q415    | V2797700 | Transistor                 | 2SC5395 E,F        | トランジスタ                   |                       | 01   |
| Q416    | VD678500 | Digital Transistor         | DTA114ES           | デジタルトランジスタ               |                       | 01   |
| Q417    | V2797600 | Transistor                 | 2SA1993 E,F        | トランジスタ                   |                       | 01   |
| Q418    | VD678500 | Digital Transistor         | DTA114ES           | デジタルトランジスタ               |                       | 01   |
| Q419    | V2797700 | Transistor                 | 2SC5395 E,F        | トランジスタ                   |                       | 01   |
| Q420    | V2797600 | Transistor                 | 2SA1993 E,F        | トランジスタ                   |                       | 01   |
| Q421    | V2797700 | Transistor                 | 2SC5395 E,F        | トランジスタ                   |                       | 01   |
| Q422    | V2797600 | Transistor                 | 2SA1993 E,F        | トランジスタ                   |                       | 01   |
| Q423    | VQ547200 | Transistor                 | 2SA1837 (HFE)      | トランジスタ                   |                       | 03   |
| Q424    | VD678500 | Digital Transistor         | DTA114ES           | デジタルトランジスタ               |                       | 01   |

\* : New parts (新規部品)

RANK : Japan only

| REF. NO. | PART NO. | DESCRIPTION               | 部 品 名             | REMARKS | QTY | RANK |
|----------|----------|---------------------------|-------------------|---------|-----|------|
| Q425     | V2797600 | Transistor                | ト ラ ン ジ ス タ       |         |     | 01   |
| Q426     | V2797700 | Transistor                | ト ラ ン ジ ス タ       |         |     | 01   |
| -429     | V2797700 | Transistor                | ト ラ ン ジ ス タ       |         |     | 01   |
| R401     | HF457100 | Carbon Resistor           | カ ー ボ ン 抵 抗       |         |     | 01   |
| R402     | HB027200 | Metal Film Resistor       | 金 属 被 膜 抵 抗       |         |     | 01   |
| R403     | HF455560 | Carbon Resistor           | カ ー ボ ン 抵 抗       |         |     | 01   |
| R404     | HF455560 | Carbon Resistor           | カ ー ボ ン 抵 抗       |         |     | 01   |
| R405     | HF455330 | Carbon Resistor           | カ ー ボ ン 抵 抗       |         |     | 01   |
| R406     | HF457240 | Carbon Resistor           | カ ー ボ ン 抵 抗       |         |     | 01   |
| R407     | HF458120 | Carbon Resistor           | カ ー ボ ン 抵 抗       |         |     | 01   |
| R408     | HF457220 | Carbon Resistor           | カ ー ボ ン 抵 抗       |         |     | 01   |
| R409     | HF456470 | Carbon Resistor           | カ ー ボ ン 抵 抗       |         |     | 01   |
| R410     | HF458220 | Carbon Resistor           | カ ー ボ ン 抵 抗       |         |     | 01   |
| R411     | HF458220 | Carbon Resistor           | カ ー ボ ン 抵 抗       |         |     | 01   |
| R412     | HF457100 | Carbon Resistor           | カ ー ボ ン 抵 抗       |         |     | 01   |
| R413     | HF457100 | Carbon Resistor           | カ ー ボ ン 抵 抗       |         |     | 01   |
| R414     | HF456470 | Carbon Resistor           | カ ー ボ ン 抵 抗       |         |     | 01   |
| R415     | HF457220 | Carbon Resistor           | カ ー ボ ン 抵 抗       |         |     | 01   |
| R416     | VN067400 | Wire Wound Resistor       | セ メ ン ト 抵 抗       |         |     | 03   |
| R417     | VC766300 | Metal Oxide Film Resistor | 酸 化 金 属 被 膜 抵 抗   |         |     | 01   |
| R418     | VC766300 | Metal Oxide Film Resistor | 酸 化 金 属 被 膜 抵 抗   |         |     | 01   |
| R419     | HV753470 | Flame Proof C. Resistor   | 不 燃 化 カ ー ボ ン 抵 抗 |         |     | 01   |
| R420     | HV754100 | Flame Proof C. Resistor   | 不 燃 化 カ ー ボ ン 抵 抗 |         |     | 01   |
| R421     | HV754100 | Flame Proof C. Resistor   | 不 燃 化 カ ー ボ ン 抵 抗 |         |     | 01   |
| R422     | HF456330 | Carbon Resistor           | カ ー ボ ン 抵 抗       |         |     | 01   |
| R423     | HF456470 | Carbon Resistor           | カ ー ボ ン 抵 抗       |         |     | 01   |
| R424     | VZ370200 | Wire Wound Resistor       | セ メ ン ト 抵 抗       |         |     | 01   |
| -427     | VZ370200 | Wire Wound Resistor       | セ メ ン ト 抵 抗       |         |     | 01   |
| R428     | WD407200 | Metal Oxide Film Resistor | 酸 化 金 属 被 膜 抵 抗   |         |     | 01   |
| R429     | HV753220 | Flame Proof C. Resistor   | 不 燃 化 カ ー ボ ン 抵 抗 |         |     | 01   |
| R430     | HV753220 | Flame Proof C. Resistor   | 不 燃 化 カ ー ボ ン 抵 抗 |         |     | 01   |
| R431     | HF457100 | Carbon Resistor           | カ ー ボ ン 抵 抗       |         |     | 01   |
| R432     | HF457220 | Carbon Resistor           | カ ー ボ ン 抵 抗       |         |     | 01   |
| R433     | HF457470 | Carbon Resistor           | カ ー ボ ン 抵 抗       |         |     | 01   |
| R434     | HF458220 | Carbon Resistor           | カ ー ボ ン 抵 抗       |         |     | 01   |
| R435     | WD407200 | Metal Oxide Film Resistor | 酸 化 金 属 被 膜 抵 抗   |         |     | 01   |
| R436     | HF457560 | Carbon Resistor           | カ ー ボ ン 抵 抗       |         |     | 01   |
| R437     | HF458150 | Carbon Resistor           | カ ー ボ ン 抵 抗       |         |     | 01   |
| R438     | HF457680 | Carbon Resistor           | カ ー ボ ン 抵 抗       |         |     | 01   |
| R439     | HF457150 | Carbon Resistor           | カ ー ボ ン 抵 抗       |         |     | 01   |
| R440     | HF457100 | Carbon Resistor           | カ ー ボ ン 抵 抗       |         |     | 01   |
| R441     | HF456120 | Carbon Resistor           | カ ー ボ ン 抵 抗       |         |     | 01   |
| R442     | HF457100 | Carbon Resistor           | カ ー ボ ン 抵 抗       |         |     | 01   |
| R443     | HF458100 | Carbon Resistor           | カ ー ボ ン 抵 抗       |         |     | 01   |
| R444     | HF457470 | Carbon Resistor           | カ ー ボ ン 抵 抗       |         |     | 01   |
| R445     | HF457470 | Carbon Resistor           | カ ー ボ ン 抵 抗       |         |     | 01   |
| R446     | HF458220 | Carbon Resistor           | カ ー ボ ン 抵 抗       |         |     | 01   |
| R447     | HF457680 | Carbon Resistor           | カ ー ボ ン 抵 抗       |         |     | 01   |
| R448     | HF457560 | Carbon Resistor           | カ ー ボ ン 抵 抗       |         |     | 01   |
| R449     | HF456120 | Carbon Resistor           | カ ー ボ ン 抵 抗       |         |     | 01   |
| R450     | HF454100 | Carbon Resistor           | カ ー ボ ン 抵 抗       |         |     | 01   |
| R451     | VN067400 | Wire Wound Resistor       | セ メ ン ト 抵 抗       |         |     | 03   |
| R452     | HF457220 | Carbon Resistor           | カ ー ボ ン 抵 抗       |         |     | 01   |
| R453     | HF457100 | Carbon Resistor           | カ ー ボ ン 抵 抗       |         |     | 01   |
| R454     | HF457560 | Carbon Resistor           | カ ー ボ ン 抵 抗       |         |     | 01   |
| R455     | HF458100 | Carbon Resistor           | カ ー ボ ン 抵 抗       |         |     | 01   |
| R456     | HF458100 | Carbon Resistor           | カ ー ボ ン 抵 抗       |         |     | 01   |
| R457     | HF456820 | Carbon Resistor           | カ ー ボ ン 抵 抗       |         |     | 01   |
| R458     | HF455330 | Carbon Resistor           | カ ー ボ ン 抵 抗       |         |     | 01   |
| R459     | HF456560 | Carbon Resistor           | カ ー ボ ン 抵 抗       |         |     | 01   |
| R460     | HF456820 | Carbon Resistor           | カ ー ボ ン 抵 抗       |         |     | 01   |
| R461     | HF456180 | Carbon Resistor           | カ ー ボ ン 抵 抗       |         |     | 01   |
| R462     | HF456180 | Carbon Resistor           | カ ー ボ ン 抵 抗       |         |     | 01   |
| R463     | HF455330 | Carbon Resistor           | カ ー ボ ン 抵 抗       |         |     | 01   |
| R464     | HF456180 | Carbon Resistor           | カ ー ボ ン 抵 抗       |         |     | 01   |
| R465     | HF456180 | Carbon Resistor           | カ ー ボ ン 抵 抗       |         |     | 01   |
| R466     | HF456820 | Carbon Resistor           | カ ー ボ ン 抵 抗       |         |     | 01   |
| R467     | HF455220 | Carbon Resistor           | カ ー ボ ン 抵 抗       |         |     | 01   |
| R468     | HF456680 | Carbon Resistor           | カ ー ボ ン 抵 抗       |         |     | 01   |
| R469     | HF456180 | Carbon Resistor           | カ ー ボ ン 抵 抗       |         |     | 01   |

\* : New parts (新規部品)

RANK : Japan only



△  
△  
△  
△  
△  
△  
△  
△  
△  
△

| REF NO. | PART NO. | DESCRIPTION              | 部 品 名              | REMARKS               | QTY                 | RANK |
|---------|----------|--------------------------|--------------------|-----------------------|---------------------|------|
| R470    | HF456180 | Carbon Resistor          | 1.8K 1/4 J         | カ ー ボ ン 抵 抗           |                     | 01   |
| R471    | HF458120 | Carbon Resistor          | 120.0K 1/4 J       | カ ー ボ ン 抵 抗           |                     | 01   |
| R472    | HF458120 | Carbon Resistor          | 120.0K 1/4 J       | カ ー ボ ン 抵 抗           |                     | 01   |
| R473    | HF458220 | Carbon Resistor          | 220.0K 1/4 J       | カ ー ボ ン 抵 抗           |                     | 01   |
| R474    | HF455220 | Carbon Resistor          | 220.0 1/4 J        | カ ー ボ ン 抵 抗           |                     | 01   |
| R475    | HF458220 | Carbon Resistor          | 220.0K 1/4 J       | カ ー ボ ン 抵 抗           |                     | 01   |
| R476    | HF456270 | Carbon Resistor          | 2.7K 1/4 J         | カ ー ボ ン 抵 抗           |                     | 01   |
| R477    | HF456270 | Carbon Resistor          | 2.7K 1/4 J         | カ ー ボ ン 抵 抗           |                     | 01   |
| R478    | HF456560 | Carbon Resistor          | 5.6K 1/4 J         | カ ー ボ ン 抵 抗           |                     | 01   |
| R479    | HV753470 | Flame Proof C. Resistor  | 4.7 1/4 J          | 不 燃 化 カ ー ボ ン 抵 抗     |                     | 01   |
| R480    | HF457150 | Carbon Resistor          | 15.0K 1/4 J        | カ ー ボ ン 抵 抗           |                     | 01   |
| R481    | HF457150 | Carbon Resistor          | 15.0K 1/4 J        | カ ー ボ ン 抵 抗           |                     | 01   |
| R482    | HV753100 | Flame Proof C. Resistor  | 1.0 1/4 J          | 不 燃 化 カ ー ボ ン 抵 抗     |                     | 01   |
| RY401   | V8628500 | Relay                    | JM1AN-P-DC24V      | リ レ                   |                     | 07   |
| T401    | X5642A00 | Power Transformer        | A                  | 電 源 ト ラ ン ス           | J                   |      |
| T401    | X5643A00 | Power Transformer        | UL,CSAA            | 電 源 ト ラ ン ス           | U,V,T               |      |
| T401    | X5644A00 | Power Transformer        | CE E               | 電 源 ト ラ ン ス           | H,W,B,K,O           |      |
| T401    | X5645A00 | Power Transformer        | CE E               | 電 源 ト ラ ン ス           | A                   |      |
| T402    | X5636A00 | Power Transformer        | A                  | 電 源 ト ラ ン ス           | J                   |      |
| T402    | X5637A00 | Power Transformer        | UL CSAA            | 電 源 ト ラ ン ス           | U,V,T,A             |      |
| T402    | X5638A00 | Power Transformer        | CE E               | 電 源 ト ラ ン ス           | H,W,B,K,O           |      |
| W401    | --       | Connector Assembly       | B&C                | 束 線 B & C             | (WD36000)           |      |
| W402    | --       | Connector Assembly       | B&C                | 束 線                   | (WD36010)           |      |
| W403    | --       | Connector Assembly       | B&C                | 束 線                   | (WD36020)           |      |
| W406    | --       | Connector Assembly       | B&C                | 束 線                   | (WD36030)           |      |
| W407    | --       | Connector Assembly       | B&C                | 束 線                   | (WD36040)           |      |
| W408    | --       | Connector Assembly       | B&C                | 束 線                   | (WD36050)           |      |
| * 10    | WD353900 | Circuit Board            | SUB70 P7000S_A     | シ ー ト S U B 7 0       | (X3895B0)/(X3895C0) |      |
|         | --       | Circuit Board            | SUB70 VR           | シ ー ト V R             | (WD35390)/(WD35460) |      |
| 20      | --       | Circuit Board            | SUB70 PSW          | シ ー ト P S W           | (WD35390)/(WD35470) |      |
| 30      | --       | Circuit Board            | SUB70 LED          | シ ー ト L E D           | (WD35390)/(WD35480) |      |
| 40      | --       | Circuit Board            | SUB70 OUT1         | シ ー ト O U T 1         | (WD35390)/(WD35430) |      |
| 50      | --       | Circuit Board            | SUB70 OUT2         | シ ー ト O U T 2         | (WD35390)/(WD35430) |      |
| * --    | WD353900 | Circuit Board            | SUB70 P7000S_A     | シ ー ト S U B 7 0       | (X3895B0)/(X3895C0) |      |
|         | --       | Circuit Board            | SUB70 VR           | シ ー ト V R             | (WD35390)/(WD35460) |      |
| CN602   | VB858600 | Connector Base Post      | PH- 7P SE          | コ ン ネ ク タ ベ ー ス ポ ス ト |                     | 01   |
| VR601   | VI575600 | Rotary Variable Resistor | 5K                 | ロ ー タ リ ー V R         | ATT Ach             | 03   |
| VR602   | VI575600 | Rotary Variable Resistor | 5K                 | ロ ー タ リ ー V R         | ATT Bch             | 03   |
| * --    | WD353900 | Circuit Board            | SUB70 P7000S_A     | シ ー ト S U B 7 0       | (X3895B0)/(X3895C0) |      |
|         | --       | Circuit Board            | SUB70 PSW          | シ ー ト P S W           | (WD35390)/(WD35470) |      |
| SW601   | VE681200 | Push Switch              | SDDFA3015A J.U.C.S | プ ッ シ ュ S W           | ON/OFF              | 05   |
| W601    | --       | Connector Assembly       | B&C                | 束 線                   | (WD36060)           |      |
| W602    | --       | Connector Assembly       | B&C                | 束 線                   | (WD36060)           |      |
| W603    | --       | Connector Assembly       | B&C                | 束 線                   | (WD36070)           |      |
| * --    | WD353900 | Circuit Board            | SUB70 P7000S_A     | シ ー ト S U B 7 0       | (X3895B0)/(X3895C0) |      |
|         | --       | Circuit Board            | SUB70 LED          | シ ー ト L E D           | (WD35390)/(WD35480) |      |
| * 200   | WD494800 | Spacer LED               | P7000S_A           | ス ペ ー サ L E D         |                     |      |
| C601    | UA653220 | Mylar Capacitor          | 2200P 50V J        | マ イ ラ ー コ ン           |                     | 01   |
| C602    | FG613100 | Ceramic Capacitor-B      | 1000P 50V K        | セ ラ コ ン ( B )         |                     | 01   |
| C603    | FG613100 | Ceramic Capacitor-B      | 1000P 50V K        | セ ラ コ ン ( B )         |                     | 01   |
| C604    | WA615600 | Mylar Capacitor          | CL23B-63V-224J     | マ イ ラ ー コ ン           |                     |      |
| -607    | WA615600 | Mylar Capacitor          | CL23B-63V-224J     | マ イ ラ ー コ ン           |                     |      |
| C615    | FG612470 | Ceramic Capacitor-B      | 470P 50V K         | セ ラ コ ン ( B )         |                     | 01   |
| C616    | FG612470 | Ceramic Capacitor-B      | 470P 50V K         | セ ラ コ ン ( B )         |                     | 01   |
| CN601   | VB390600 | Connector Base Post      | PH-10P TE          | コ ン ネ ク タ ベ ー ス ポ ス ト |                     | 01   |
| LD601   | WA097600 | LED                      | HFY103PJ-3-00 YEL  | L E D                 | YS PROCESSING       | 01   |
| LD602   | V9790400 | LED                      | HFR203PJ-3-00 RED  | L E D                 | PROTECTION          | 01   |
| LD603   | WA097500 | LED                      | HFG203PJ-3-00 GRN  | L E D                 | POWER               | 01   |
| LD604   | V9790400 | LED                      | HFR203PJ-3-00 RED  | L E D                 | TEMP                | 01   |
| LD605   | V9790400 | LED                      | HFR203PJ-3-00 RED  | L E D                 | CLIP B              | 01   |
| LD606   | V9790400 | LED                      | HFR203PJ-3-00 RED  | L E D                 | CLIP A              | 01   |
| LD607   | WA097500 | LED                      | HFG203PJ-3-00 GRN  | L E D                 | SIGNAL B            | 01   |
| LD608   | WA097500 | LED                      | HFG203PJ-3-00 GRN  | L E D                 | SIGNAL A            | 01   |
| Q601    | VV911900 | Digital Transistor       | DTC114ESA-TP       | デ ジ タ ル ト ラ ン ジ ス タ   |                     | 01   |
| -603    | VV911900 | Digital Transistor       | DTC114ESA-TP       | デ ジ タ ル ト ラ ン ジ ス タ   |                     | 01   |
| Q604    | V2797700 | Transistor               | 2SC5395 E,F        | ト ラ ン ジ ス タ           |                     | 01   |

\* : New parts (新規部品)

RANK : Japan only

| REF. NO. | PART NO. | DESCRIPTION             |                | 部 品 名      | REMARKS              | QTY | RANK |
|----------|----------|-------------------------|----------------|------------|----------------------|-----|------|
| Q605     | V2797700 | Transistor              | 2SC5395 E,F    | トランジスタ     |                      |     | 01   |
| Q606     | VD678500 | Digital Transistor      | DTA114ES       | デジタルトランジスタ |                      |     | 01   |
| -609     | VD678500 | Digital Transistor      | DTA114ES       | デジタルトランジスタ |                      |     | 01   |
| R601     | HF456510 | Carbon Resistor         | 5.1K 1/4 J     | カーボン抵抗     |                      |     | 01   |
| R602     | HF457150 | Carbon Resistor         | 15.0K 1/4 J    | カーボン抵抗     |                      |     | 01   |
| R603     | HF457150 | Carbon Resistor         | 15.0K 1/4 J    | カーボン抵抗     |                      |     | 01   |
| R604     | HF456470 | Carbon Resistor         | 4.7K 1/4 J     | カーボン抵抗     |                      |     | 01   |
| R605     | HF456470 | Carbon Resistor         | 4.7K 1/4 J     | カーボン抵抗     |                      |     | 01   |
| R606     | HF456180 | Carbon Resistor         | 1.8K 1/4 J     | カーボン抵抗     |                      |     | 01   |
| R607     | HF456180 | Carbon Resistor         | 1.8K 1/4 J     | カーボン抵抗     |                      |     | 01   |
| R608     | HF456470 | Carbon Resistor         | 4.7K 1/4 J     | カーボン抵抗     |                      |     | 01   |
| R609     | HF456470 | Carbon Resistor         | 4.7K 1/4 J     | カーボン抵抗     |                      |     | 01   |
| R610     | HF457100 | Carbon Resistor         | 10.0K 1/4 J    | カーボン抵抗     |                      |     | 01   |
| R611     | HF457100 | Carbon Resistor         | 10.0K 1/4 J    | カーボン抵抗     |                      |     | 01   |
| R612     | HF455220 | Carbon Resistor         | 220.0 1/4 J    | カーボン抵抗     |                      |     | 01   |
| -615     | HF455220 | Carbon Resistor         | 220.0 1/4 J    | カーボン抵抗     |                      |     | 01   |
| R616     | HF456180 | Carbon Resistor         | 1.8K 1/4 J     | カーボン抵抗     |                      |     | 01   |
| -623     | HF456180 | Carbon Resistor         | 1.8K 1/4 J     | カーボン抵抗     |                      |     | 01   |
| *        | WD353900 | Circuit Board           | SUB70 P7000S_A | シートSUB70   | (X3895B0)/(X3895C0)  |     |      |
|          | --       | Circuit Board           | SUB70 OUT1     | シートOUT1    | (WD35390)(WD35430)   |     |      |
| JK601    | VV089300 | Phone Jack              | H30280072N     | ホンコネクタ     | SPEAKER 3 Ach        |     | 02   |
| JK602    | VV089300 | Phone Jack              | H30280072N     | ホンコネクタ     | SPEAKER 3 Bch        |     | 02   |
| SP602    | V8181700 | Receptacle Connector    | NL4MD-H        | レセプタクル 4P  | SPEAKER 2 Ach        |     | 06   |
| SP603    | V8181700 | Receptacle Connector    | NL4MD-H        | レセプタクル 4P  | SPEAKER 2 Bch        |     | 06   |
| W607     | --       | Connector Assembly      | OUT            | 束線OUT      | (WD36120)            |     |      |
| *        | WD353900 | Circuit Board           | SUB70 P7000S_A | シートSUB70   | (X3895B0)/(X3895C0)  |     |      |
|          | --       | Circuit Board           | SUB70 OUT2     | シートOUT2    | (WD35390)(WD35430)   |     |      |
| C608     | WD707400 | Ceramic Capacitor-B     | 1000P 1KV K    | セラコン(B)    |                      |     |      |
| -611     | WD707400 | Ceramic Capacitor-B     | 1000P 1KV K    | セラコン(B)    |                      |     |      |
| C612     | WD707800 | Ceramic Capacitor-B     | 2200P 1KV K    | セラコン(B)    |                      |     |      |
| -614     | WD707800 | Ceramic Capacitor-B     | 2200P 1KV K    | セラコン(B)    |                      |     |      |
| R624     | HV753470 | Flame Proof C. Resistor | 4.7 1/4 J      | 不燃化カーボン抵抗  |                      |     | 01   |
| R625     | HV753470 | Flame Proof C. Resistor | 4.7 1/4 J      | 不燃化カーボン抵抗  |                      |     | 01   |
| R626     | HV754220 | Flame Proof C. Resistor | 22.0 1/4 J     | 不燃化カーボン抵抗  |                      |     | 01   |
| R627     | HV753470 | Flame Proof C. Resistor | 4.7 1/4 J      | 不燃化カーボン抵抗  |                      |     | 01   |
| R628     | HV754220 | Flame Proof C. Resistor | 22.0 1/4 J     | 不燃化カーボン抵抗  |                      |     | 01   |
| SP601    | VZ956900 | Speaker Terminal        | STB-403AU 4P   | スピーカ端子     | SPEAKER A/B BRIDGE 1 |     | 06   |
| W604     | --       | Connector Assembly      | B&C            | 束線         | (WD36080)            |     |      |
| W605     | --       | Connector Assembly      | B&C            | 束線         | (WD36010)            |     |      |
| W606     | --       | Connector Assembly      | B&C            | 束線         | (WD36090)            |     |      |
| *        | WD351600 | Circuit Board           | PAH50 P5000S_A | シートPAH50   | P5000S (X3850B0)     |     |      |
| C101     | V9728500 | Electrolytic Cap.       | 4.7 100.0V     | ケミコン       |                      |     | 01   |
| C102     | V9728500 | Electrolytic Cap.       | 4.7 100.0V     | ケミコン       |                      |     | 01   |
| C103     | FG644100 | Electrolytic Cap.       | 0.0100 50V Z   | セラコン(F)    |                      |     | 01   |
| C104     | FG644100 | Electrolytic Cap.       | 0.0100 50V Z   | セラコン(F)    |                      |     | 01   |
| C105     | UA653750 | Mylar Capacitor         | 7500P 50V J    | マイラコン      |                      |     | 01   |
| C106     | UA653220 | Mylar Capacitor         | 2200P 50V J    | マイラコン      |                      |     | 01   |
| C107     | WD706100 | Ceramic Capacitor-SL    | 33P 1KV J      | セラコン(SL)   |                      |     |      |
| C108     | WD705700 | Ceramic Capacitor-SL    | 10P 1KV J      | セラコン(SL)   |                      |     |      |
| C109     | VV082300 | Mylar Capacitor         | 0.1000 250V M  | フィルムコン     |                      |     | 01   |
| C110     | VV082300 | Mylar Capacitor         | 0.1000 250V M  | フィルムコン     |                      |     | 01   |
| C111     | V9728900 | Electrolytic Cap.       | 2.20 200.0V    | ケミコン       |                      |     |      |
| C112     | V9728900 | Electrolytic Cap.       | 2.20 200.0V    | ケミコン       |                      |     |      |
| C113     | WD706500 | Ceramic Capacitor-SL    | 100P 1KV J     | セラコン(SL)   |                      |     |      |
| C114     | WD706500 | Ceramic Capacitor-SL    | 100P 1KV J     | セラコン(SL)   |                      |     |      |
| C115     | WD707800 | Ceramic Capacitor-B     | 2200P 1KV K    | セラコン(B)    |                      |     |      |
| C116     | WD707800 | Ceramic Capacitor-B     | 2200P 1KV K    | セラコン(B)    |                      |     |      |
| C117     | V5097700 | Mylar Capacitor         | 3.3000 250V K  | フィルムコン     |                      |     | 05   |
| C118     | V5097700 | Mylar Capacitor         | 3.3000 250V K  | フィルムコン     |                      |     | 05   |
| C119     | V9728900 | Electrolytic Cap.       | 2.20 200.0V    | ケミコン       |                      |     |      |
| C120     | V9728900 | Electrolytic Cap.       | 2.20 200.0V    | ケミコン       |                      |     |      |
| C121     | WD707800 | Ceramic Capacitor-B     | 2200P 1KV K    | セラコン(B)    |                      |     |      |
| C122     | WD707100 | Ceramic Capacitor-SL    | 330P 1KV J     | セラコン(SL)   |                      |     |      |
| C123     | WD707100 | Ceramic Capacitor-SL    | 330P 1KV J     | セラコン(SL)   |                      |     |      |
| C124     | WB378500 | Electrolytic Cap.       | 100.00 200.0V  | ケミコン       |                      |     |      |
| C125     | WB378500 | Electrolytic Cap.       | 100.00 200.0V  | ケミコン       |                      |     |      |
| C126     | WD707800 | Ceramic Capacitor-B     | 2200P 1KV K    | セラコン(B)    |                      |     |      |

\* : New parts (新規部品)

RANK : Japan only



| REF NO. | PART NO. | DESCRIPTION                | 部 品 名             | REMARKS            | QTY                  | RANK |
|---------|----------|----------------------------|-------------------|--------------------|----------------------|------|
| C127    | V9726300 | Electrolytic Cap.          | 470.00 10.0V      | ケ ミ コ ン            |                      |      |
| C128    | V9727800 | Electrolytic Cap.          | 22.00 50.0V       | ケ ミ コ ン            |                      |      |
| C129    | US062470 | Ceramic Capacitor-SL(chip) | 470P 50V J        | チ ッ プ セ ラ ( S L )  |                      | 01   |
| C201    | US064100 | Ceramic Capacitor-B (chip) | 0.0100 50V K      | チ ッ プ セ ラ ( B )    |                      | 01   |
| C202    | US062100 | Ceramic Capacitor-SL(chip) | 100P 50V J        | チ ッ プ セ ラ ( S L )  |                      | 01   |
| C203    | US064100 | Ceramic Capacitor-B (chip) | 0.0100 50V K      | チ ッ プ セ ラ ( B )    |                      | 01   |
| C204    | US064100 | Ceramic Capacitor-B (chip) | 0.0100 50V K      | チ ッ プ セ ラ ( B )    |                      | 01   |
| C205    | US061560 | Ceramic Capacitor-CH(chip) | 56P 50V J         | チ ッ プ セ ラ ( C H )  |                      | 01   |
| C206    | V9726300 | Electrolytic Cap.          | 470.00 10.0V      | ケ ミ コ ン            |                      |      |
| C207    | US063100 | Ceramic Capacitor-B (chip) | 1000P 50V K       | チ ッ プ セ ラ ( B )    |                      | 01   |
| C208    | US062470 | Ceramic Capacitor-SL(chip) | 470P 50V J        | チ ッ プ セ ラ ( S L )  |                      | 01   |
| C209    | V9726500 | Electrolytic Cap.          | 10.00 25.0V       | ケ ミ コ ン            |                      | 01   |
| C210    | US064100 | Ceramic Capacitor-B (chip) | 0.0100 50V K      | チ ッ プ セ ラ ( B )    |                      | 01   |
| C211    | V9726400 | Electrolytic Cap.          | 100.00 16.0V      | ケ ミ コ ン            |                      | 01   |
| C212    | UA653220 | Mylar Capacitor            | 2200P 50V J       | マ イ ラ - コ ン        |                      | 01   |
| C213    | V9726400 | Electrolytic Cap.          | 100.00 16.0V      | ケ ミ コ ン            |                      | 01   |
| C214    | FU451100 | Mica Capacitor             | 10P 500V D        | マ イ カ コ ン          |                      | 01   |
| C215    | UA653220 | Mylar Capacitor            | 2200P 50V J       | マ イ ラ - コ ン        |                      | 01   |
| C216    | V9726500 | Electrolytic Cap.          | 10.00 25.0V       | ケ ミ コ ン            |                      | 01   |
| C217    | FG644100 | Electrolytic Cap.          | 0.0100 50V Z      | セ ラ コ ン ( F )      |                      | 01   |
| C218    | FU451220 | Mica Capacitor             | 22P 500V J        | マ イ カ コ ン          |                      | 01   |
| C219    | FU451220 | Mica Capacitor             | 22P 500V J        | マ イ カ コ ン          |                      | 01   |
| C220    | US061100 | Ceramic Capacitor-CH(chip) | 10P 50V D         | チ ッ プ セ ラ ( C H )  |                      | 01   |
| C221    | US061100 | Ceramic Capacitor-CH(chip) | 10P 50V D         | チ ッ プ セ ラ ( C H )  |                      | 01   |
| C222    | V9726500 | Electrolytic Cap.          | 10.00 25.0V       | ケ ミ コ ン            |                      | 01   |
| -224    | V9726500 | Electrolytic Cap.          | 10.00 25.0V       | ケ ミ コ ン            |                      | 01   |
| CN101   | VB389800 | Connector Base Post        | PH- 2P TE         | コ ネ ク タ ベ ース ポ ス ト |                      | 01   |
| CN102   | WA767700 | Fasten Terminal            | 16611BL-2         | フ ァ ス ト ン 端 子      |                      |      |
| -105    | WA767700 | Fasten Terminal            | 16611BL-2         | フ ァ ス ト ン 端 子      |                      |      |
| CN201   | VB390700 | Connector Base Post        | PH-11P TE         | コ ネ ク タ ベ ース ポ ス ト |                      | 01   |
| CN202   | VB389900 | Connector Base Post        | PH- 3P TE         | コ ネ ク タ ベ ース ポ ス ト |                      | 01   |
| D101    | VD631600 | Diode                      | 1SS133,176,HSS104 | ダ イ オ ー ド          |                      | 01   |
| D102    | VD631600 | Diode                      | 1SS133,176,HSS104 | ダ イ オ ー ド          |                      | 01   |
| D103    | VG438900 | Zener Diode                | MTZ J 8.2B 8.2V   | ツ ェ ナ ー ダ イ オ ー ド  |                      | 01   |
| D104    | VQ469600 | Diode                      | HSS82             | ダ イ オ ー ド          |                      | 01   |
| D105    | VQ469600 | Diode                      | HSS82             | ダ イ オ ー ド          |                      | 01   |
| D106    | VG438300 | Zener Diode                | MTZ J 6.8B 6.8V   | ツ ェ ナ ー ダ イ オ ー ド  |                      | 01   |
| D107    | VD631600 | Diode                      | 1SS133,176,HSS104 | ダ イ オ ー ド          |                      | 01   |
| D108    | VD631600 | Diode                      | 1SS133,176,HSS104 | ダ イ オ ー ド          |                      | 01   |
| D109    | WB115000 | Diode                      | AL01              | ダ イ オ ー ド          |                      |      |
| D110    | VQ469600 | Diode                      | HSS82             | ダ イ オ ー ド          |                      | 01   |
| D111    | VQ469600 | Diode                      | HSS82             | ダ イ オ ー ド          |                      | 01   |
| D112    | WB115000 | Diode                      | AL01              | ダ イ オ ー ド          |                      |      |
| D113    | VQ469600 | Diode                      | HSS82             | ダ イ オ ー ド          |                      | 01   |
| D114    | VQ469600 | Diode                      | HSS82             | ダ イ オ ー ド          |                      | 01   |
| D115    | WD543900 | Diode                      | 1N4004 DO-41      | ダ イ オ ー ド          |                      |      |
| -118    | WD543900 | Diode                      | 1N4004 DO-41      | ダ イ オ ー ド          |                      |      |
| D119    | WA757600 | Diode                      | AL01Z             | ダ イ オ ー ド          |                      | 05   |
| -121    | WA757600 | Diode                      | AL01Z             | ダ イ オ ー ド          |                      | 05   |
| D122    | VJ657300 | Diode                      | AK03 V0           | ダ イ オ ー ド          |                      | 01   |
| D123    | VJ657300 | Diode                      | AK03 V0           | ダ イ オ ー ド          |                      | 01   |
| D128    | VQ469600 | Diode                      | HSS82             | ダ イ オ ー ド          |                      | 01   |
| D129    | VQ469600 | Diode                      | HSS82             | ダ イ オ ー ド          |                      | 01   |
| D201    | VT332900 | Diode                      | 1SS355 TE-17      | ダ イ オ ー ド          |                      | 01   |
| D202    | VT332900 | Diode                      | 1SS355 TE-17      | ダ イ オ ー ド          |                      | 01   |
| D203    | VD631600 | Diode                      | 1SS133,176,HSS104 | ダ イ オ ー ド          |                      | 01   |
| -206    | VD631600 | Diode                      | 1SS133,176,HSS104 | ダ イ オ ー ド          |                      | 01   |
| D208    | VQ469600 | Diode                      | HSS82             | ダ イ オ ー ド          |                      | 01   |
| D209    | VQ469600 | Diode                      | HSS82             | ダ イ オ ー ド          |                      | 01   |
| D210    | VG438000 | Zener Diode                | MTZ J 6.2B 6.2V   | ツ ェ ナ ー ダ イ オ ー ド  |                      | 01   |
| D211    | VG438000 | Zener Diode                | MTZ J 6.2B 6.2V   | ツ ェ ナ ー ダ イ オ ー ド  |                      | 01   |
| D212    | VQ469600 | Diode                      | HSS82             | ダ イ オ ー ド          |                      | 01   |
| D213    | VQ469600 | Diode                      | HSS82             | ダ イ オ ー ド          |                      | 01   |
| D214    | VG436600 | Zener Diode                | MTZ J 3.9B 3.9V   | ツ ェ ナ ー ダ イ オ ー ド  |                      | 01   |
| IC201   | X3505A00 | IC                         | NJM2068MD-TE2     | イ C                | OP AMP               | 02   |
| IC202   | XM882A00 | IC                         | NJM431L(T3)       | イ C                | Adjustable Regulator | 02   |
| * L101  | WD408700 | Coil                       | 1.9U              | 空 芯 コ イ ル 1 . 9 U  |                      |      |
| L102    | V4668300 | Coil                       | OH-20 100UH       | コ イ ル              |                      | 08   |
| L103    | V4668300 | Coil                       | OH-20 100UH       | コ イ ル              |                      | 08   |
| * L104  | WD408800 | Coil                       | 1.7U              | 空 芯 コ イ ル 1 . 7 U  |                      |      |

\* : New parts (新規部品)

RANK : Japan only

| REF. NO. | PART NO. | DESCRIPTION             | 部 品 名             | REMARKS             | QTY | RANK |
|----------|----------|-------------------------|-------------------|---------------------|-----|------|
| L105     | WD408800 | Coil                    | 1.7U              | 空 芯 コ イ ル 1 . 7 U   |     |      |
| Q101     | VR152800 | Transistor              | 2SA1480 E,F       | ト ラ ン ジ ス タ         |     | 02   |
| Q102     | VR152900 | Transistor              | 2SC3790 E,F       | ト ラ ン ジ ス タ         |     | 02   |
| Q103     | V8093400 | Transistor              | 2SC3425           | ト ラ ン ジ ス タ         |     | 03   |
| Q104     | V8093300 | Transistor              | 2SA1924           | ト ラ ン ジ ス タ         |     | 02   |
| Q105     | VU418600 | Transistor              | 2SC3468 D,E       | ト ラ ン ジ ス タ         |     | 01   |
| Q106     | VU418400 | Transistor              | 2SA1371 D,E       | ト ラ ン ジ ス タ         |     | 01   |
| Q107     | V4096000 | Transistor              | 2SA1770 S,T       | ト ラ ン ジ ス タ         |     | 03   |
| Q108     | V4096100 | Transistor              | 2SC4614 S,T       | ト ラ ン ジ ス タ         |     | 02   |
| Q109     | V4096000 | Transistor              | 2SA1770 S,T       | ト ラ ン ジ ス タ         |     | 03   |
| Q110     | VI242900 | Transistor              | 2SA1020-Y(TPE6) Y | ト ラ ン ジ ス タ         |     | 01   |
| Q111     | VI242900 | Transistor              | 2SA1020-Y(TPE6) Y | ト ラ ン ジ ス タ         |     | 01   |
| Q127     | VV556400 | Transistor              | 2SC2412K Q,R,S    | ト ラ ン ジ ス タ         |     | 01   |
| Q127     | WC529400 | Transistor              | 2SCKTC3875S Y,GR  | ト ラ ン ジ ス タ         |     |      |
| Q128     | VU418600 | Transistor              | 2SC3468 D,E       | ト ラ ン ジ ス タ         |     | 01   |
| Q129     | VV556400 | Transistor              | 2SC2412K Q,R,S    | ト ラ ン ジ ス タ         |     | 01   |
| Q129     | WC529400 | Transistor              | 2SCKTC3875S Y,GR  | ト ラ ン ジ ス タ         |     |      |
| Q130     | VU418600 | Transistor              | 2SC3468 D,E       | ト ラ ン ジ ス タ         |     | 01   |
| -132     | VU418600 | Transistor              | 2SC3468 D,E       | ト ラ ン ジ ス タ         |     | 01   |
| Q133     | V8093300 | Transistor              | 2SA1924           | ト ラ ン ジ ス タ         |     | 02   |
| Q134     | V4096100 | Transistor              | 2SC4614 S,T       | ト ラ ン ジ ス タ         |     | 02   |
| Q201     | VV556500 | Transistor              | 2SA1037AK Q,R,S   | ト ラ ン ジ ス タ         |     | 01   |
| Q201     | WC529500 | Transistor              | 2SCKTA1504S Y,GR  | ト ラ ン ジ ス タ         |     |      |
| Q202     | VV556500 | Transistor              | 2SA1037AK Q,R,S   | ト ラ ン ジ ス タ         |     | 01   |
| Q202     | WC529500 | Transistor              | 2SCKTA1504S Y,GR  | ト ラ ン ジ ス タ         |     |      |
| Q203     | VV556400 | Transistor              | 2SC2412K Q,R,S    | ト ラ ン ジ ス タ         |     | 01   |
| Q203     | WC529400 | Transistor              | 2SCKTC3875S Y,GR  | ト ラ ン ジ ス タ         |     |      |
| Q204     | VV556400 | Transistor              | 2SC2412K Q,R,S    | ト ラ ン ジ ス タ         |     | 01   |
| Q204     | WC529400 | Transistor              | 2SCKTC3875S Y,GR  | ト ラ ン ジ ス タ         |     |      |
| Q205     | WA866800 | Transistor              | 2SC4695-TB        | ト ラ ン ジ ス タ         |     | 01   |
| Q206     | VV655400 | Digital Transistor      | DTC114EKA TP      | デ ジ タ ル ト ラ ン ジ ス タ |     | 01   |
| Q207     | WA866800 | Transistor              | 2SC4695-TB        | ト ラ ン ジ ス タ         |     | 01   |
| Q208     | VV655000 | Digital Transistor      | DTA114EKA TP      | デ ジ タ ル ト ラ ン ジ ス タ |     | 01   |
| Q209     | IC1815M0 | Transistor              | 2SC1815 Y,GR      | ト ラ ン ジ ス タ         |     | 01   |
| Q210     | VU418400 | Transistor              | 2SA1371 D,E       | ト ラ ン ジ ス タ         |     | 01   |
| Q211     | VU418400 | Transistor              | 2SA1371 D,E       | ト ラ ン ジ ス タ         |     | 01   |
| Q212     | VU418600 | Transistor              | 2SC3468 D,E       | ト ラ ン ジ ス タ         |     | 01   |
| Q213     | VU418400 | Transistor              | 2SA1371 D,E       | ト ラ ン ジ ス タ         |     | 01   |
| Q214     | IC1815M0 | Transistor              | 2SC1815 Y,GR      | ト ラ ン ジ ス タ         |     | 01   |
| Q215     | V8093400 | Transistor              | 2SC3425           | ト ラ ン ジ ス タ         |     | 03   |
| Q216     | IC1815M0 | Transistor              | 2SC1815 Y,GR      | ト ラ ン ジ ス タ         |     | 01   |
| Q217     | V8093300 | Transistor              | 2SA1924           | ト ラ ン ジ ス タ         |     | 02   |
| Q219     | VR152900 | Transistor              | 2SC3790 E,F       | ト ラ ン ジ ス タ         |     | 02   |
| Q220     | VR152800 | Transistor              | 2SA1480 E,F       | ト ラ ン ジ ス タ         |     | 02   |
| Q221     | V8093300 | Transistor              | 2SA1924           | ト ラ ン ジ ス タ         |     | 02   |
| R101     | HF457120 | Carbon Resistor         | 12.0K 1/4 J       | カ ー ボ ン 抵 抗         |     | 01   |
| R102     | HF457750 | Carbon Resistor         | 75.0K 1/4 J       | カ ー ボ ン 抵 抗         |     | 01   |
| R103     | HF457470 | Carbon Resistor         | 47.0K 1/4 J       | カ ー ボ ン 抵 抗         |     | 01   |
| -106     | HF457470 | Carbon Resistor         | 47.0K 1/4 J       | カ ー ボ ン 抵 抗         |     | 01   |
| R107     | HV753470 | Flame Proof C. Resistor | 4.7 1/4 J         | 不 燃 化 カ ー ボ ン 抵 抗   |     | 01   |
| R108     | HV753470 | Flame Proof C. Resistor | 4.7 1/4 J         | 不 燃 化 カ ー ボ ン 抵 抗   |     | 01   |
| R109     | HF457430 | Carbon Resistor         | 43.0K 1/4 J       | カ ー ボ ン 抵 抗         |     | 01   |
| R110     | HF457430 | Carbon Resistor         | 43.0K 1/4 J       | カ ー ボ ン 抵 抗         |     | 01   |
| R111     | HV755680 | Flame Proof C. Resistor | 680.0 1/4 J       | 不 燃 化 カ ー ボ ン 抵 抗   |     | 01   |
| R112     | HV755680 | Flame Proof C. Resistor | 680.0 1/4 J       | 不 燃 化 カ ー ボ ン 抵 抗   |     | 01   |
| R113     | HV755330 | Flame Proof C. Resistor | 330.0 1/4 J       | 不 燃 化 カ ー ボ ン 抵 抗   |     | 01   |
| R114     | HV755330 | Flame Proof C. Resistor | 330.0 1/4 J       | 不 燃 化 カ ー ボ ン 抵 抗   |     | 01   |
| R115     | HV755220 | Flame Proof C. Resistor | 220.0 1/4 J       | 不 燃 化 カ ー ボ ン 抵 抗   |     | 01   |
| R116     | HV755100 | Flame Proof C. Resistor | 100.0 1/4 J       | 不 燃 化 カ ー ボ ン 抵 抗   |     | 01   |
| R117     | HV754330 | Flame Proof C. Resistor | 33.0 1/4 J        | 不 燃 化 カ ー ボ ン 抵 抗   |     | 01   |
| R118     | HV754330 | Flame Proof C. Resistor | 33.0 1/4 J        | 不 燃 化 カ ー ボ ン 抵 抗   |     | 01   |
| R119     | HV753470 | Flame Proof C. Resistor | 4.7 1/4 J         | 不 燃 化 カ ー ボ ン 抵 抗   |     | 01   |
| R120     | HV753470 | Flame Proof C. Resistor | 4.7 1/4 J         | 不 燃 化 カ ー ボ ン 抵 抗   |     | 01   |
| R121     | HV754220 | Flame Proof C. Resistor | 22.0 1/4 J        | 不 燃 化 カ ー ボ ン 抵 抗   |     | 01   |
| R122     | HV754220 | Flame Proof C. Resistor | 22.0 1/4 J        | 不 燃 化 カ ー ボ ン 抵 抗   |     | 01   |
| R123     | V4833200 | Wire Wound Resistor     | 0.22 5W K         | セ メ ン ト 抵 抗         |     | 01   |
| R124     | V4833200 | Wire Wound Resistor     | 0.22 5W K         | セ メ ン ト 抵 抗         |     | 01   |
| R125     | HV753470 | Flame Proof C. Resistor | 4.7 1/4 J         | 不 燃 化 カ ー ボ ン 抵 抗   |     | 01   |
| R126     | HV753470 | Flame Proof C. Resistor | 4.7 1/4 J         | 不 燃 化 カ ー ボ ン 抵 抗   |     | 01   |
| R127     | HV754220 | Flame Proof C. Resistor | 22.0 1/4 J        | 不 燃 化 カ ー ボ ン 抵 抗   |     | 01   |

\* : New parts (新規部品)

RANK : Japan only

| REF NO. | PART NO. | DESCRIPTION               | 部 品 名        | REMARKS   | QTY | RANK |
|---------|----------|---------------------------|--------------|-----------|-----|------|
| R128    | HV754220 | Flame Proof C. Resistor   | 22.0 1/4 J   | 不燃化カーボン抵抗 |     | 01   |
| R129    | V4833200 | Wire Wound Resistor       | 0.22 5W K    | セメント抵抗    |     | 01   |
| R130    | V4833200 | Wire Wound Resistor       | 0.22 5W K    | セメント抵抗    |     | 01   |
| R131    | HV753470 | Flame Proof C. Resistor   | 4.7 1/4 J    | 不燃化カーボン抵抗 |     | 01   |
| R132    | HV753470 | Flame Proof C. Resistor   | 4.7 1/4 J    | 不燃化カーボン抵抗 |     | 01   |
| R133    | HV754220 | Flame Proof C. Resistor   | 22.0 1/4 J   | 不燃化カーボン抵抗 |     | 01   |
| R134    | HV754220 | Flame Proof C. Resistor   | 22.0 1/4 J   | 不燃化カーボン抵抗 |     | 01   |
| R135    | V4833200 | Wire Wound Resistor       | 0.22 5W K    | セメント抵抗    |     | 01   |
| R136    | V4833200 | Wire Wound Resistor       | 0.22 5W K    | セメント抵抗    |     | 01   |
| R137    | HV753470 | Flame Proof C. Resistor   | 4.7 1/4 J    | 不燃化カーボン抵抗 |     | 01   |
| R138    | HV753470 | Flame Proof C. Resistor   | 4.7 1/4 J    | 不燃化カーボン抵抗 |     | 01   |
| R139    | HV754220 | Flame Proof C. Resistor   | 22.0 1/4 J   | 不燃化カーボン抵抗 |     | 01   |
| R140    | HV754220 | Flame Proof C. Resistor   | 22.0 1/4 J   | 不燃化カーボン抵抗 |     | 01   |
| R141    | V4833200 | Wire Wound Resistor       | 0.22 5W K    | セメント抵抗    |     | 01   |
| R142    | V4833200 | Wire Wound Resistor       | 0.22 5W K    | セメント抵抗    |     | 01   |
| R143    | HV753470 | Flame Proof C. Resistor   | 4.7 1/4 J    | 不燃化カーボン抵抗 |     | 01   |
| R144    | HV753470 | Flame Proof C. Resistor   | 4.7 1/4 J    | 不燃化カーボン抵抗 |     | 01   |
| R145    | HV754220 | Flame Proof C. Resistor   | 22.0 1/4 J   | 不燃化カーボン抵抗 |     | 01   |
| R146    | HV754220 | Flame Proof C. Resistor   | 22.0 1/4 J   | 不燃化カーボン抵抗 |     | 01   |
| R147    | V4833200 | Wire Wound Resistor       | 0.22 5W K    | セメント抵抗    |     | 01   |
| R148    | V4833200 | Wire Wound Resistor       | 0.22 5W K    | セメント抵抗    |     | 01   |
| * R151  | WD407100 | Metal Oxide Film Resistor | 4.7 3W J     | 酸化金属被膜抵抗  |     | 01   |
| * R156  | WD407100 | Metal Oxide Film Resistor | 4.7 3W J     | 酸化金属被膜抵抗  |     | 01   |
| R157    | HF456560 | Carbon Resistor           | 5.6K 1/4 J   | カーボン抵抗    |     | 01   |
| R158    | HF456560 | Carbon Resistor           | 5.6K 1/4 J   | カーボン抵抗    |     | 01   |
| R159    | HV754220 | Flame Proof C. Resistor   | 22.0 1/4 J   | 不燃化カーボン抵抗 |     | 01   |
| R160    | HV756220 | Flame Proof C. Resistor   | 2.2K 1/4 J   | 不燃化カーボン抵抗 |     | 01   |
| R161    | HV756220 | Flame Proof C. Resistor   | 2.2K 1/4 J   | 不燃化カーボン抵抗 |     | 01   |
| R162    | HV754220 | Flame Proof C. Resistor   | 22.0 1/4 J   | 不燃化カーボン抵抗 |     | 01   |
| R163    | HV755150 | Flame Proof C. Resistor   | 150.0 1/4 J  | 不燃化カーボン抵抗 |     | 01   |
| R164    | HV755150 | Flame Proof C. Resistor   | 150.0 1/4 J  | 不燃化カーボン抵抗 |     | 01   |
| R165    | HV753100 | Flame Proof C. Resistor   | 1.0 1/4 J    | 不燃化カーボン抵抗 |     | 01   |
| R166    | HV753100 | Flame Proof C. Resistor   | 1.0 1/4 J    | 不燃化カーボン抵抗 |     | 01   |
| R167    | VZ370200 | Wire Wound Resistor       | 0.1 5W K     | セメント抵抗    |     | 01   |
| R168    | HV753470 | Flame Proof C. Resistor   | 4.7 1/4 J    | 不燃化カーボン抵抗 |     | 01   |
| R169    | VZ370200 | Wire Wound Resistor       | 0.1 5W K     | セメント抵抗    |     | 01   |
| R170    | HV753100 | Flame Proof C. Resistor   | 1.0 1/4 J    | 不燃化カーボン抵抗 |     | 01   |
| R171    | HV753100 | Flame Proof C. Resistor   | 1.0 1/4 J    | 不燃化カーボン抵抗 |     | 01   |
| R172    | VZ370200 | Wire Wound Resistor       | 0.1 5W K     | セメント抵抗    |     | 01   |
| R173    | HV753100 | Flame Proof C. Resistor   | 1.0 1/4 J    | 不燃化カーボン抵抗 |     | 01   |
| R174    | VZ370200 | Wire Wound Resistor       | 0.1 5W K     | セメント抵抗    |     | 01   |
| R175    | HV753100 | Flame Proof C. Resistor   | 1.0 1/4 J    | 不燃化カーボン抵抗 |     | 01   |
| R176    | HV753470 | Flame Proof C. Resistor   | 4.7 1/4 J    | 不燃化カーボン抵抗 |     | 01   |
| R177    | HV754100 | Flame Proof C. Resistor   | 10.0 1/4 J   | 不燃化カーボン抵抗 |     | 01   |
| R178    | HV754100 | Flame Proof C. Resistor   | 10.0 1/4 J   | 不燃化カーボン抵抗 |     | 01   |
| R179    | HV755330 | Flame Proof C. Resistor   | 330.0 1/4 J  | 不燃化カーボン抵抗 |     | 01   |
| * R180  | VC762900 | Metal Oxide Film Resistor | 3.9K 2W J    | 酸化金属被膜抵抗  |     | 01   |
| R181    | HV755330 | Flame Proof C. Resistor   | 330.0 1/4 J  | 不燃化カーボン抵抗 |     | 01   |
| R182    | HV755100 | Flame Proof C. Resistor   | 100.0 1/4 J  | 不燃化カーボン抵抗 |     | 01   |
| * R183  | VC762900 | Metal Oxide Film Resistor | 3.9K 2W J    | 酸化金属被膜抵抗  |     | 01   |
| R184    | HV754220 | Flame Proof C. Resistor   | 22.0 1/4 J   | 不燃化カーボン抵抗 |     | 01   |
| R185    | HV754100 | Flame Proof C. Resistor   | 10.0 1/4 J   | 不燃化カーボン抵抗 |     | 01   |
| R186    | HV755220 | Flame Proof C. Resistor   | 220.0 1/4 J  | 不燃化カーボン抵抗 |     | 01   |
| * R187  | VC762900 | Metal Oxide Film Resistor | 3.9K 2W J    | 酸化金属被膜抵抗  |     | 01   |
| R188    | HV755470 | Flame Proof C. Resistor   | 470.0 1/4 J  | 不燃化カーボン抵抗 |     | 01   |
| R189    | HV754220 | Flame Proof C. Resistor   | 22.0 1/4 J   | 不燃化カーボン抵抗 |     | 01   |
| R190    | HV754220 | Flame Proof C. Resistor   | 22.0 1/4 J   | 不燃化カーボン抵抗 |     | 01   |
| R191    | HV753470 | Flame Proof C. Resistor   | 4.7 1/4 J    | 不燃化カーボン抵抗 |     | 01   |
| R192    | HV754220 | Flame Proof C. Resistor   | 22.0 1/4 J   | 不燃化カーボン抵抗 |     | 01   |
| R193    | HV754220 | Flame Proof C. Resistor   | 22.0 1/4 J   | 不燃化カーボン抵抗 |     | 01   |
| R194    | VP939800 | Metal Oxide Film Resistor | 10.0 1W J    | 酸化金属被膜抵抗  |     | 01   |
| R195    | VP939800 | Metal Oxide Film Resistor | 10.0 1W J    | 酸化金属被膜抵抗  |     | 01   |
| R201    | RF357180 | Carbon Resistor (chip)    | 18.0K D 1608 | チップ抵抗     |     | 01   |
| R202    | RD357100 | Carbon Resistor (chip)    | 10.0K 63M J  | チップ抵抗     |     | 01   |
| R203    | RF357180 | Carbon Resistor (chip)    | 18.0K D 1608 | チップ抵抗     |     | 01   |
| R204    | RD357120 | Carbon Resistor (chip)    | 12.0K 63M J  | チップ抵抗     |     | 01   |
| R205    | RD357120 | Carbon Resistor (chip)    | 12.0K 63M J  | チップ抵抗     |     | 01   |
| R206    | RD354750 | Carbon Resistor (chip)    | 75.0 63M J   | チップ抵抗     |     | 01   |
| R207    | RD357470 | Carbon Resistor (chip)    | 47.0K 63M J  | チップ抵抗     |     | 01   |
| R208    | RD357470 | Carbon Resistor (chip)    | 47.0K 63M J  | チップ抵抗     |     | 01   |

\* : New parts (新規部品)

RANK : Japan only



| REF. NO. | PART NO. | DESCRIPTION             |                | 部 品 名             | REMARKS            | QTY | RANK |
|----------|----------|-------------------------|----------------|-------------------|--------------------|-----|------|
| R209     | RD354750 | Carbon Resistor (chip)  | 75.0 63M J     | チ ッ プ 抵 抗         |                    |     | 01   |
| R210     | RD356820 | Carbon Resistor (chip)  | 8.2K 63M J     | チ ッ プ 抵 抗         |                    |     | 01   |
| R211     | RD355100 | Carbon Resistor (chip)  | 100.0 63M J    | チ ッ プ 抵 抗         |                    |     | 01   |
| R212     | RD356820 | Carbon Resistor (chip)  | 8.2K 63M J     | チ ッ プ 抵 抗         |                    |     | 01   |
| R213     | RD357270 | Carbon Resistor (chip)  | 27.0K 63M J    | チ ッ プ 抵 抗         |                    |     | 01   |
| R214     | RD355470 | Carbon Resistor (chip)  | 470.0 63M J    | チ ッ プ 抵 抗         |                    |     | 01   |
| R215     | RD357330 | Carbon Resistor (chip)  | 33.0K 63M J    | チ ッ プ 抵 抗         |                    |     | 01   |
| R216     | RD355100 | Carbon Resistor (chip)  | 100.0 63M J    | チ ッ プ 抵 抗         |                    |     | 01   |
| R217     | RD358470 | Carbon Resistor (chip)  | 470.0K 63M J   | チ ッ プ 抵 抗         |                    |     | 01   |
| R218     | RD358470 | Carbon Resistor (chip)  | 470.0K 63M J   | チ ッ プ 抵 抗         |                    |     | 01   |
| R219     | RD356220 | Carbon Resistor (chip)  | 2.2K 63M J     | チ ッ プ 抵 抗         |                    |     | 01   |
| R220     | RD357220 | Carbon Resistor (chip)  | 22.0K 63M J    | チ ッ プ 抵 抗         |                    |     | 01   |
| R221     | HF458120 | Carbon Resistor         | 120.0K 1/4 J   | 力 - ボ ン 抵 抗       |                    |     | 01   |
| R222     | HF458330 | Carbon Resistor         | 330.0K 1/4 J   | 力 - ボ ン 抵 抗       |                    |     | 01   |
| R223     | HF457220 | Carbon Resistor         | 22.0K 1/4 J    | 力 - ボ ン 抵 抗       |                    |     | 01   |
| R224     | HB025510 | Metal Film Resistor     | 510.0 1/4 F    | 金 属 被 膜 抵 抗       |                    |     | 01   |
| R225     | HF455560 | Carbon Resistor         | 560.0 1/4 J    | 力 - ボ ン 抵 抗       |                    |     | 01   |
| R226     | HF455560 | Carbon Resistor         | 560.0 1/4 J    | 力 - ボ ン 抵 抗       |                    |     | 01   |
| R228     | HF455560 | Carbon Resistor         | 560.0 1/4 J    | 力 - ボ ン 抵 抗       |                    |     | 01   |
| R229     | WB449900 | Carbon Resistor         | 11.0K 1/2 F V  | 力 - ボ ン 抵 抗       |                    |     | 01   |
| R230     | WB449900 | Carbon Resistor         | 11.0K 1/2 F V  | 力 - ボ ン 抵 抗       |                    |     | 01   |
| R231     | HF455200 | Carbon Resistor         | 200.0 1/4 J    | 力 - ボ ン 抵 抗       |                    |     | 01   |
| R232     | HF456680 | Carbon Resistor         | 6.8K 1/4 J     | 力 - ボ ン 抵 抗       |                    |     | 01   |
| -234     | HF456680 | Carbon Resistor         | 6.8K 1/4 J     | 力 - ボ ン 抵 抗       |                    |     | 01   |
| R235     | HF457750 | Carbon Resistor         | 75.0K 1/4 J    | 力 - ボ ン 抵 抗       |                    |     | 01   |
| R236     | HF457750 | Carbon Resistor         | 75.0K 1/4 J    | 力 - ボ ン 抵 抗       |                    |     | 01   |
| R237     | HF455220 | Carbon Resistor         | 220.0 1/4 J    | 力 - ボ ン 抵 抗       |                    |     | 01   |
| R238     | HF455180 | Carbon Resistor         | 180.0 1/4 J    | 力 - ボ ン 抵 抗       |                    |     | 01   |
| R239     | HF455180 | Carbon Resistor         | 180.0 1/4 J    | 力 - ボ ン 抵 抗       |                    |     | 01   |
| R240     | HV753100 | Flame Proof C. Resistor | 1.0 1/4 J      | 不 燃 化 カ - ボ ン 抵 抗 |                    |     | 01   |
| R241     | HV753100 | Flame Proof C. Resistor | 1.0 1/4 J      | 不 燃 化 カ - ボ ン 抵 抗 |                    |     | 01   |
| R242     | HF455100 | Carbon Resistor         | 100.0 1/4 J    | 力 - ボ ン 抵 抗       |                    |     | 01   |
| R243     | HF456150 | Carbon Resistor         | 1.5K 1/4 J     | 力 - ボ ン 抵 抗       |                    |     | 01   |
| R244     | HF455120 | Carbon Resistor         | 120.0 1/4 J    | 力 - ボ ン 抵 抗       |                    |     | 01   |
| R245     | HF455130 | Carbon Resistor         | 130.0 1/4 J    | 力 - ボ ン 抵 抗       |                    |     | 01   |
| R246     | HF457160 | Carbon Resistor         | 16.0K 1/4 J    | 力 - ボ ン 抵 抗       |                    |     | 01   |
| * R247   | HB028360 | Metal Film Resistor     | 360.0K 1/4 F   | 金 属 被 膜 抵 抗       |                    |     | 01   |
| * R248   | HB028360 | Metal Film Resistor     | 360.0K 1/4 F   | 金 属 被 膜 抵 抗       |                    |     | 01   |
| R249     | HB027220 | Metal Film Resistor     | 22.0K 1/4 F    | 金 属 被 膜 抵 抗       |                    |     | 01   |
| R250     | HB027220 | Metal Film Resistor     | 22.0K 1/4 F    | 金 属 被 膜 抵 抗       |                    |     | 01   |
| * R251   | HB028360 | Metal Film Resistor     | 360.0K 1/4 F   | 金 属 被 膜 抵 抗       |                    |     | 01   |
| * R252   | HB028360 | Metal Film Resistor     | 360.0K 1/4 F   | 金 属 被 膜 抵 抗       |                    |     | 01   |
| R253     | HF457160 | Carbon Resistor         | 16.0K 1/4 J    | 力 - ボ ン 抵 抗       |                    |     | 01   |
| R280     | RF357200 | Carbon Resistor (chip)  | 20.0K D 1608   | チ ッ プ 抵 抗         |                    |     | 01   |
| R281     | RD357100 | Carbon Resistor (chip)  | 10.0K 63M J    | チ ッ プ 抵 抗         |                    |     | 01   |
| * R282   | RF357620 | Carbon Resistor (chip)  | 62.0K D 1608   | チ ッ プ 抵 抗         |                    |     | 01   |
| * R283   | HB028270 | Metal Film Resistor     | 270.0K 1/4 F   | 金 属 被 膜 抵 抗       |                    |     | 01   |
| R284     | RF357100 | Carbon Resistor (chip)  | 10.0K D 1608   | チ ッ プ 抵 抗         |                    |     | 01   |
| R285     | RD358150 | Carbon Resistor (chip)  | 150.0K 63M J   | チ ッ プ 抵 抗         |                    |     | 01   |
| R286     | RD357680 | Carbon Resistor (chip)  | 68.0K 63M J    | チ ッ プ 抵 抗         |                    |     | 01   |
| R287     | RD357100 | Carbon Resistor (chip)  | 10.0K 63M J    | チ ッ プ 抵 抗         |                    |     | 01   |
| R288     | RD357200 | Carbon Resistor (chip)  | 20.0K 63M J    | チ ッ プ 抵 抗         |                    |     | 01   |
| R289     | RD358100 | Carbon Resistor (chip)  | 100.0K 63M J   | チ ッ プ 抵 抗         |                    |     | 01   |
| R290     | RD357560 | Carbon Resistor (chip)  | 56.0K 63M J    | チ ッ プ 抵 抗         |                    |     | 01   |
| R291     | HV756680 | Flame Proof C. Resistor | 6.8K 1/4 J     | 不 燃 化 カ - ボ ン 抵 抗 |                    |     | 01   |
| * R292   | HB028180 | Metal Film Resistor     | 180.0K 1/4 F   | 金 属 被 膜 抵 抗       |                    |     | 01   |
| R293     | HB026560 | Metal Film Resistor     | 5.6K 1/4 F     | 金 属 被 膜 抵 抗       |                    |     | 01   |
| R294     | HB027200 | Metal Film Resistor     | 20.0K 1/4 F    | 金 属 被 膜 抵 抗       |                    |     | 01   |
| R295     | HF456680 | Carbon Resistor         | 6.8K 1/4 J     | 力 - ボ ン 抵 抗       |                    |     | 01   |
| -297     | HF456680 | Carbon Resistor         | 6.8K 1/4 J     | 力 - ボ ン 抵 抗       |                    |     | 01   |
| R298     | HF456100 | Carbon Resistor         | 1.0K 1/4 J     | 力 - ボ ン 抵 抗       |                    |     | 01   |
| R299     | HF457470 | Carbon Resistor         | 47.0K 1/4 J    | 力 - ボ ン 抵 抗       |                    |     | 01   |
| VR201    | VA787500 | Trimmer Potentiometer   | B 470 3P RHEOA | 半 固 定 V R         |                    |     | 01   |
| *        | WD351400 | Circuit Board           | PAH70 P7000S A | シ - ー ト P A H 7 0 | P7000S A (X3850B0) |     | 01   |
| C101     | V9728500 | Electrolytic Cap.       | 4.7 100.0V     | ケ ミ コ ン           |                    |     | 01   |
| C102     | V9728500 | Electrolytic Cap.       | 4.7 100.0V     | ケ ミ コ ン           |                    |     | 01   |
| C103     | FG644100 | Electrolytic Cap.       | 0.0100 50V Z   | セ ラ コ ン ( F )     |                    |     | 01   |
| C104     | FG644100 | Electrolytic Cap.       | 0.0100 50V Z   | セ ラ コ ン ( F )     |                    |     | 01   |
| C105     | UA653750 | Mylar Capacitor         | 7500P 50V J    | マ イ ラ - コ ン       |                    |     | 01   |

\* : New parts (新規部品)

RANK : Japan only

| REF NO. | PART NO. | DESCRIPTION                | 部 品 名              | REMARKS | QTY | RANK |
|---------|----------|----------------------------|--------------------|---------|-----|------|
| C106    | UA653220 | Mylar Capacitor            | マ イ ラ - コ ン        |         |     | 01   |
| * C107  | WD706100 | Ceramic Capacitor-SL       | セ ラ コ ン ( S L )    |         |     |      |
| * C108  | WD705700 | Ceramic Capacitor-SL       | セ ラ コ ン ( S L )    |         |     |      |
| C109    | VV082300 | Mylar Capacitor            | フ ィ ル ム コ ン        |         |     | 01   |
| C110    | VV082300 | Mylar Capacitor            | フ ィ ル ム コ ン        |         |     | 01   |
| C111    | V9728900 | Electrolytic Cap.          | ケ ミ コ ン            |         |     |      |
| C112    | V9728900 | Electrolytic Cap.          | ケ ミ コ ン            |         |     |      |
| * C113  | WD706500 | Ceramic Capacitor-SL       | セ ラ コ ン ( S L )    |         |     |      |
| * C114  | WD706500 | Ceramic Capacitor-SL       | セ ラ コ ン ( S L )    |         |     |      |
| * C115  | WD707800 | Ceramic Capacitor-B        | セ ラ コ ン ( B )      |         |     |      |
| * C116  | WD707800 | Ceramic Capacitor-B        | セ ラ コ ン ( B )      |         |     |      |
| C117    | V5097700 | Mylar Capacitor            | フ ィ ル ム コ ン        |         |     | 05   |
| C118    | V5097700 | Mylar Capacitor            | フ ィ ル ム コ ン        |         |     | 05   |
| C119    | V9728900 | Electrolytic Cap.          | ケ ミ コ ン            |         |     |      |
| C120    | V9728900 | Electrolytic Cap.          | ケ ミ コ ン            |         |     |      |
| * C121  | WD707800 | Ceramic Capacitor-B        | セ ラ コ ン ( B )      |         |     |      |
| * C122  | WD707100 | Ceramic Capacitor-SL       | セ ラ コ ン ( S L )    |         |     |      |
| * C123  | WD707100 | Ceramic Capacitor-SL       | セ ラ コ ン ( S L )    |         |     |      |
| C124    | WB378500 | Electrolytic Cap.          | ケ ミ コ ン            |         |     |      |
| C125    | WB378500 | Electrolytic Cap.          | ケ ミ コ ン            |         |     |      |
| * C126  | WD707800 | Ceramic Capacitor-B        | セ ラ コ ン ( B )      |         |     |      |
| C127    | V9726300 | Electrolytic Cap.          | ケ ミ コ ン            |         |     |      |
| C128    | V9727800 | Electrolytic Cap.          | ケ ミ コ ン            |         |     |      |
| C129    | US062470 | Ceramic Capacitor-SL(chip) | チ ッ プ セ ラ ( S L )  |         |     | 01   |
| C201    | US064100 | Ceramic Capacitor-B (chip) | チ ッ プ セ ラ ( B )    |         |     | 01   |
| C202    | US062100 | Ceramic Capacitor-SL(chip) | チ ッ プ セ ラ ( S L )  |         |     | 01   |
| C203    | US064100 | Ceramic Capacitor-B (chip) | チ ッ プ セ ラ ( B )    |         |     | 01   |
| C204    | US064100 | Ceramic Capacitor-B (chip) | チ ッ プ セ ラ ( B )    |         |     | 01   |
| C205    | US061560 | Ceramic Capacitor-CH(chip) | チ ッ プ セ ラ ( C H )  |         |     | 01   |
| C206    | V9726300 | Electrolytic Cap.          | ケ ミ コ ン            |         |     |      |
| C207    | US063100 | Ceramic Capacitor-B (chip) | チ ッ プ セ ラ ( B )    |         |     | 01   |
| C208    | US062470 | Ceramic Capacitor-SL(chip) | チ ッ プ セ ラ ( S L )  |         |     | 01   |
| C209    | V9726500 | Electrolytic Cap.          | ケ ミ コ ン            |         |     | 01   |
| C210    | US064100 | Ceramic Capacitor-B (chip) | チ ッ プ セ ラ ( B )    |         |     | 01   |
| C211    | V9726400 | Electrolytic Cap.          | ケ ミ コ ン            |         |     | 01   |
| C212    | UA653220 | Mylar Capacitor            | マ イ ラ - コ ン        |         |     | 01   |
| C213    | V9726400 | Electrolytic Cap.          | ケ ミ コ ン            |         |     | 01   |
| C214    | FU451100 | Mica Capacitor             | マ イ カ コ ン          |         |     | 01   |
| C215    | UA653220 | Mylar Capacitor            | マ イ ラ - コ ン        |         |     | 01   |
| C216    | V9726500 | Electrolytic Cap.          | ケ ミ コ ン            |         |     | 01   |
| C217    | FG644100 | Electrolytic Cap.          | セ ラ コ ン ( F )      |         |     | 01   |
| C218    | FU451220 | Mica Capacitor             | マ イ カ コ ン          |         |     | 01   |
| C219    | FU451220 | Mica Capacitor             | マ イ カ コ ン          |         |     | 01   |
| C220    | US061100 | Ceramic Capacitor-CH(chip) | チ ッ プ セ ラ ( C H )  |         |     | 01   |
| C221    | US061100 | Ceramic Capacitor-CH(chip) | チ ッ プ セ ラ ( C H )  |         |     | 01   |
| C222    | V9726500 | Electrolytic Cap.          | ケ ミ コ ン            |         |     | 01   |
| -224    | V9726500 | Electrolytic Cap.          | ケ ミ コ ン            |         |     | 01   |
| CN101   | VB389800 | Connector Base Post        | コ ネ ク タ ベ ース ポ ス ト |         |     | 01   |
| CN102   | WA767700 | Fasten Terminal            | フ ァ ス ト ン 端 子      |         |     |      |
| -105    | WA767700 | Fasten Terminal            | フ ァ ス ト ン 端 子      |         |     |      |
| CN201   | VB390700 | Connector Base Post        | コ ネ ク タ ベ ース ポ ス ト |         |     | 01   |
| CN202   | VB389900 | Connector Base Post        | コ ネ ク タ ベ ース ポ ス ト |         |     | 01   |
| D101    | VD631600 | Diode                      | ダ イ オ ー ド          |         |     | 01   |
| D102    | VD631600 | Diode                      | ダ イ オ ー ド          |         |     | 01   |
| D103    | VG438900 | Zener Diode                | ツ ェ ナ ー ダ イ オ ー ド  |         |     | 01   |
| D104    | VQ469600 | Diode                      | ダ イ オ ー ド          |         |     | 01   |
| D105    | VQ469600 | Diode                      | ダ イ オ ー ド          |         |     | 01   |
| D106    | VG438300 | Zener Diode                | ツ ェ ナ ー ダ イ オ ー ド  |         |     | 01   |
| D107    | VD631600 | Diode                      | ダ イ オ ー ド          |         |     | 01   |
| D108    | VD631600 | Diode                      | ダ イ オ ー ド          |         |     | 01   |
| D109    | WB115000 | Diode                      | ダ イ オ ー ド          |         |     |      |
| D110    | VQ469600 | Diode                      | ダ イ オ ー ド          |         |     | 01   |
| D111    | VQ469600 | Diode                      | ダ イ オ ー ド          |         |     | 01   |
| D112    | WB115000 | Diode                      | ダ イ オ ー ド          |         |     |      |
| D113    | VQ469600 | Diode                      | ダ イ オ ー ド          |         |     | 01   |
| D114    | VQ469600 | Diode                      | ダ イ オ ー ド          |         |     | 01   |
| D115    | WD543900 | Diode                      | ダ イ オ ー ド          |         |     |      |
| -118    | WD543900 | Diode                      | ダ イ オ ー ド          |         |     |      |
| D119    | WA757600 | Diode                      | ダ イ オ ー ド          |         |     | 05   |
| -121    | WA757600 | Diode                      | ダ イ オ ー ド          |         |     | 05   |

\* : New parts (新規部品)

RANK : Japan only

| REF. NO. | PART NO. | DESCRIPTION        | 部 品 名             | REMARKS     | QTY                  | RANK |
|----------|----------|--------------------|-------------------|-------------|----------------------|------|
| D122     | VJ657300 | Diode              | AK03 V0           | ダイオード       |                      | 01   |
| D123     | VJ657300 | Diode              | AK03 V0           | ダイオード       |                      | 01   |
| D128     | VQ469600 | Diode              | HSS82             | ダイオード       |                      | 01   |
| D129     | VQ469600 | Diode              | HSS82             | ダイオード       |                      | 01   |
| D201     | VT332900 | Diode              | 1SS355 TE-17      | ダイオード       |                      | 01   |
| D202     | VT332900 | Diode              | 1SS355 TE-17      | ダイオード       |                      | 01   |
| D203     | VD631600 | Diode              | 1SS133,176,HSS104 | ダイオード       |                      | 01   |
| -206     | VD631600 | Diode              | 1SS133,176,HSS104 | ダイオード       |                      | 01   |
| D208     | VQ469600 | Diode              | HSS82             | ダイオード       |                      | 01   |
| D209     | VQ469600 | Diode              | HSS82             | ダイオード       |                      | 01   |
| D210     | VG438000 | Zener Diode        | MTZ J 6.2B 6.2V   | ツェナーダイオード   |                      | 01   |
| D211     | VG438000 | Zener Diode        | MTZ J 6.2B 6.2V   | ツェナーダイオード   |                      | 01   |
| D212     | VQ469600 | Diode              | HSS82             | ダイオード       |                      | 01   |
| D213     | VQ469600 | Diode              | HSS82             | ダイオード       |                      | 01   |
| D214     | VG436600 | Zener Diode        | MTZ J 3.9B 3.9V   | ツェナーダイオード   |                      | 01   |
| IC201    | X3505A00 | IC                 | NJM2068MD-TE2     | IC          | OP AMP               | 02   |
| IC202    | XM882A00 | IC                 | NJM431L(T3)       | IC          | Adjustable Regulator | 02   |
| * L101   | WD408700 | Coil               | 1.9U              | 空芯コイル 1.9 U |                      |      |
| L102     | V4668300 | Coil               | OH-20 100UH       | コイル         |                      | 08   |
| L103     | V4668300 | Coil               | OH-20 100UH       | コイル         |                      | 08   |
| * L104   | WD408800 | Coil               | 1.7U              | 空芯コイル 1.7 U |                      |      |
| * L105   | WD408800 | Coil               | 1.7U              | 空芯コイル 1.7 U |                      |      |
| Q101     | VR152800 | Transistor         | 2SA1480 E,F       | トランジスタ      |                      | 02   |
| Q102     | VR152900 | Transistor         | 2SC3790 E,F       | トランジスタ      |                      | 02   |
| Q103     | V8093400 | Transistor         | 2SC3425           | トランジスタ      |                      | 03   |
| Q104     | V8093300 | Transistor         | 2SA1924           | トランジスタ      |                      | 02   |
| Q105     | VU418600 | Transistor         | 2SC3468 D,E       | トランジスタ      |                      | 01   |
| Q106     | VU418400 | Transistor         | 2SA1371 D,E       | トランジスタ      |                      | 01   |
| Q107     | V4096000 | Transistor         | 2SA1770 S,T       | トランジスタ      |                      | 03   |
| Q108     | V4096100 | Transistor         | 2SC4614 S,T       | トランジスタ      |                      | 02   |
| Q109     | V4096000 | Transistor         | 2SA1770 S,T       | トランジスタ      |                      | 03   |
| Q110     | VI242900 | Transistor         | 2SA1020-Y(TPE6) Y | トランジスタ      |                      | 01   |
| Q111     | VI242900 | Transistor         | 2SA1020-Y(TPE6) Y | トランジスタ      |                      | 01   |
| Q127     | VV556400 | Transistor         | 2SC2412K Q,R,S    | トランジスタ      |                      | 01   |
| Q127     | WC529400 | Transistor         | 2SCKTC3875S Y,GR  | トランジスタ      |                      | 01   |
| Q128     | VU418600 | Transistor         | 2SC3468 D,E       | トランジスタ      |                      | 01   |
| Q129     | VV556400 | Transistor         | 2SC2412K Q,R,S    | トランジスタ      |                      | 01   |
| Q129     | WC529400 | Transistor         | 2SCKTC3875S Y,GR  | トランジスタ      |                      | 01   |
| Q130     | VU418600 | Transistor         | 2SC3468 D,E       | トランジスタ      |                      | 01   |
| -132     | VU418600 | Transistor         | 2SC3468 D,E       | トランジスタ      |                      | 01   |
| Q133     | V8093300 | Transistor         | 2SA1924           | トランジスタ      |                      | 02   |
| Q134     | V4096100 | Transistor         | 2SC4614 S,T       | トランジスタ      |                      | 02   |
| Q201     | VV556500 | Transistor         | 2SA1037AK Q,R,S   | トランジスタ      |                      | 01   |
| Q201     | WC529500 | Transistor         | 2SCKTA1504S Y,GR  | トランジスタ      |                      | 01   |
| Q202     | VV556500 | Transistor         | 2SA1037AK Q,R,S   | トランジスタ      |                      | 01   |
| Q202     | WC529500 | Transistor         | 2SCKTA1504S Y,GR  | トランジスタ      |                      | 01   |
| Q203     | VV556400 | Transistor         | 2SC2412K Q,R,S    | トランジスタ      |                      | 01   |
| Q203     | WC529400 | Transistor         | 2SCKTC3875S Y,GR  | トランジスタ      |                      | 01   |
| Q204     | VV556400 | Transistor         | 2SC2412K Q,R,S    | トランジスタ      |                      | 01   |
| Q204     | WC529400 | Transistor         | 2SCKTC3875S Y,GR  | トランジスタ      |                      | 01   |
| Q205     | WA866800 | Transistor         | 2SC4695-TB        | トランジスタ      |                      | 01   |
| Q206     | VV655400 | Digital Transistor | DTC114EKA TP      | デジタルトランジスタ  |                      | 01   |
| Q207     | WA866800 | Transistor         | 2SC4695-TB        | トランジスタ      |                      | 01   |
| Q208     | VV655000 | Digital Transistor | DTA114EKA TP      | デジタルトランジスタ  |                      | 01   |
| Q209     | IC1815M0 | Transistor         | 2SC1815 Y,GR      | トランジスタ      |                      | 01   |
| Q210     | VU418400 | Transistor         | 2SA1371 D,E       | トランジスタ      |                      | 01   |
| Q211     | VU418400 | Transistor         | 2SA1371 D,E       | トランジスタ      |                      | 01   |
| Q212     | VU418600 | Transistor         | 2SC3468 D,E       | トランジスタ      |                      | 01   |
| Q213     | VU418400 | Transistor         | 2SA1371 D,E       | トランジスタ      |                      | 01   |
| Q214     | IC1815M0 | Transistor         | 2SC1815 Y,GR      | トランジスタ      |                      | 01   |
| Q215     | V8093400 | Transistor         | 2SC3425           | トランジスタ      |                      | 03   |
| Q216     | IC1815M0 | Transistor         | 2SC1815 Y,GR      | トランジスタ      |                      | 01   |
| Q217     | V8093300 | Transistor         | 2SA1924           | トランジスタ      |                      | 02   |
| Q219     | VR152900 | Transistor         | 2SC3790 E,F       | トランジスタ      |                      | 02   |
| Q220     | VR152800 | Transistor         | 2SA1480 E,F       | トランジスタ      |                      | 02   |
| Q221     | V8093300 | Transistor         | 2SA1924           | トランジスタ      |                      | 02   |
| R101     | HF457120 | Carbon Resistor    | 12.0K 1/4 J       | カーボン抵抗      |                      | 01   |
| R102     | HF457750 | Carbon Resistor    | 75.0K 1/4 J       | カーボン抵抗      |                      | 01   |
| R103     | HF457470 | Carbon Resistor    | 47.0K 1/4 J       | カーボン抵抗      |                      | 01   |
| -106     | HF457470 | Carbon Resistor    | 47.0K 1/4 J       | カーボン抵抗      |                      | 01   |

\* : New parts (新規部品)

RANK : Japan only



| REF NO. | PART NO. | DESCRIPTION               | 部 品 名       | REMARKS   | QTY | RANK |
|---------|----------|---------------------------|-------------|-----------|-----|------|
| R107    | HV753470 | Flame Proof C. Resistor   | 4.7 1/4 J   | 不燃化カーボン抵抗 |     | 01   |
| R108    | HV753470 | Flame Proof C. Resistor   | 4.7 1/4 J   | 不燃化カーボン抵抗 |     | 01   |
| R109    | HF457560 | Carbon Resistor           | 56.0K 1/4 J | 力ーボン抵抗    |     | 01   |
| R110    | HF457560 | Carbon Resistor           | 56.0K 1/4 J | 力ーボン抵抗    |     | 01   |
| R111    | HV755680 | Flame Proof C. Resistor   | 680.0 1/4 J | 不燃化カーボン抵抗 |     | 01   |
| R112    | HV755680 | Flame Proof C. Resistor   | 680.0 1/4 J | 不燃化カーボン抵抗 |     | 01   |
| R113    | HV755330 | Flame Proof C. Resistor   | 330.0 1/4 J | 不燃化カーボン抵抗 |     | 01   |
| R114    | HV755330 | Flame Proof C. Resistor   | 330.0 1/4 J | 不燃化カーボン抵抗 |     | 01   |
| R115    | HV755220 | Flame Proof C. Resistor   | 220.0 1/4 J | 不燃化カーボン抵抗 |     | 01   |
| R116    | HV755100 | Flame Proof C. Resistor   | 100.0 1/4 J | 不燃化カーボン抵抗 |     | 01   |
| R117    | HV754330 | Flame Proof C. Resistor   | 33.0 1/4 J  | 不燃化カーボン抵抗 |     | 01   |
| R118    | HV754330 | Flame Proof C. Resistor   | 33.0 1/4 J  | 不燃化カーボン抵抗 |     | 01   |
| R119    | HV753470 | Flame Proof C. Resistor   | 4.7 1/4 J   | 不燃化カーボン抵抗 |     | 01   |
| R120    | HV753470 | Flame Proof C. Resistor   | 4.7 1/4 J   | 不燃化カーボン抵抗 |     | 01   |
| R121    | HV754220 | Flame Proof C. Resistor   | 22.0 1/4 J  | 不燃化カーボン抵抗 |     | 01   |
| R122    | HV754220 | Flame Proof C. Resistor   | 22.0 1/4 J  | 不燃化カーボン抵抗 |     | 01   |
| R123    | V4833200 | Wire Wound Resistor       | 0.22 5W K   | セメント抵抗    |     | 01   |
| R124    | V4833200 | Wire Wound Resistor       | 0.22 5W K   | セメント抵抗    |     | 01   |
| R125    | HV753470 | Flame Proof C. Resistor   | 4.7 1/4 J   | 不燃化カーボン抵抗 |     | 01   |
| R126    | HV753470 | Flame Proof C. Resistor   | 4.7 1/4 J   | 不燃化カーボン抵抗 |     | 01   |
| R127    | HV754220 | Flame Proof C. Resistor   | 22.0 1/4 J  | 不燃化カーボン抵抗 |     | 01   |
| R128    | HV754220 | Flame Proof C. Resistor   | 22.0 1/4 J  | 不燃化カーボン抵抗 |     | 01   |
| R129    | V4833200 | Wire Wound Resistor       | 0.22 5W K   | セメント抵抗    |     | 01   |
| R130    | V4833200 | Wire Wound Resistor       | 0.22 5W K   | セメント抵抗    |     | 01   |
| R131    | HV753470 | Flame Proof C. Resistor   | 4.7 1/4 J   | 不燃化カーボン抵抗 |     | 01   |
| R132    | HV753470 | Flame Proof C. Resistor   | 4.7 1/4 J   | 不燃化カーボン抵抗 |     | 01   |
| R133    | HV754220 | Flame Proof C. Resistor   | 22.0 1/4 J  | 不燃化カーボン抵抗 |     | 01   |
| R134    | HV754220 | Flame Proof C. Resistor   | 22.0 1/4 J  | 不燃化カーボン抵抗 |     | 01   |
| R135    | V4833200 | Wire Wound Resistor       | 0.22 5W K   | セメント抵抗    |     | 01   |
| R136    | V4833200 | Wire Wound Resistor       | 0.22 5W K   | セメント抵抗    |     | 01   |
| R137    | HV753470 | Flame Proof C. Resistor   | 4.7 1/4 J   | 不燃化カーボン抵抗 |     | 01   |
| R138    | HV753470 | Flame Proof C. Resistor   | 4.7 1/4 J   | 不燃化カーボン抵抗 |     | 01   |
| R139    | HV754220 | Flame Proof C. Resistor   | 22.0 1/4 J  | 不燃化カーボン抵抗 |     | 01   |
| R140    | HV754220 | Flame Proof C. Resistor   | 22.0 1/4 J  | 不燃化カーボン抵抗 |     | 01   |
| R141    | V4833200 | Wire Wound Resistor       | 0.22 5W K   | セメント抵抗    |     | 01   |
| R142    | V4833200 | Wire Wound Resistor       | 0.22 5W K   | セメント抵抗    |     | 01   |
| R143    | HV753470 | Flame Proof C. Resistor   | 4.7 1/4 J   | 不燃化カーボン抵抗 |     | 01   |
| R144    | HV753470 | Flame Proof C. Resistor   | 4.7 1/4 J   | 不燃化カーボン抵抗 |     | 01   |
| R145    | HV754220 | Flame Proof C. Resistor   | 22.0 1/4 J  | 不燃化カーボン抵抗 |     | 01   |
| R146    | HV754220 | Flame Proof C. Resistor   | 22.0 1/4 J  | 不燃化カーボン抵抗 |     | 01   |
| R147    | V4833200 | Wire Wound Resistor       | 0.22 5W K   | セメント抵抗    |     | 01   |
| R148    | V4833200 | Wire Wound Resistor       | 0.22 5W K   | セメント抵抗    |     | 01   |
| R149    | HV753470 | Flame Proof C. Resistor   | 4.7 1/4 J   | 不燃化カーボン抵抗 |     | 01   |
| R150    | HV753470 | Flame Proof C. Resistor   | 4.7 1/4 J   | 不燃化カーボン抵抗 |     | 01   |
| * R151  | WD407100 | Metal Oxide Film Resistor | 4.7 3W J    | 酸化金属被膜抵抗  |     | 01   |
| R152    | HV754220 | Flame Proof C. Resistor   | 22.0 1/4 J  | 不燃化カーボン抵抗 |     | 01   |
| R153    | HV754220 | Flame Proof C. Resistor   | 22.0 1/4 J  | 不燃化カーボン抵抗 |     | 01   |
| R154    | V4833200 | Wire Wound Resistor       | 0.22 5W K   | セメント抵抗    |     | 01   |
| R155    | V4833200 | Wire Wound Resistor       | 0.22 5W K   | セメント抵抗    |     | 01   |
| * R156  | WD407100 | Metal Oxide Film Resistor | 4.7 3W J    | 酸化金属被膜抵抗  |     | 01   |
| R157    | HF456560 | Carbon Resistor           | 5.6K 1/4 J  | 力ーボン抵抗    |     | 01   |
| R158    | HF456560 | Carbon Resistor           | 5.6K 1/4 J  | 力ーボン抵抗    |     | 01   |
| R159    | HV754220 | Flame Proof C. Resistor   | 22.0 1/4 J  | 不燃化カーボン抵抗 |     | 01   |
| R160    | HV756220 | Flame Proof C. Resistor   | 2.2K 1/4 J  | 不燃化カーボン抵抗 |     | 01   |
| R161    | HV756220 | Flame Proof C. Resistor   | 2.2K 1/4 J  | 不燃化カーボン抵抗 |     | 01   |
| R162    | HV754220 | Flame Proof C. Resistor   | 22.0 1/4 J  | 不燃化カーボン抵抗 |     | 01   |
| R163    | HV755150 | Flame Proof C. Resistor   | 150.0 1/4 J | 不燃化カーボン抵抗 |     | 01   |
| R164    | HV755150 | Flame Proof C. Resistor   | 150.0 1/4 J | 不燃化カーボン抵抗 |     | 01   |
| R165    | HV753100 | Flame Proof C. Resistor   | 1.0 1/4 J   | 不燃化カーボン抵抗 |     | 01   |
| R166    | HV753100 | Flame Proof C. Resistor   | 1.0 1/4 J   | 不燃化カーボン抵抗 |     | 01   |
| R167    | VZ370200 | Wire Wound Resistor       | 0.1 5W K    | セメント抵抗    |     | 01   |
| R168    | HV753470 | Flame Proof C. Resistor   | 4.7 1/4 J   | 不燃化カーボン抵抗 |     | 01   |
| R169    | VZ370200 | Wire Wound Resistor       | 0.1 5W K    | セメント抵抗    |     | 01   |
| R170    | HV753100 | Flame Proof C. Resistor   | 1.0 1/4 J   | 不燃化カーボン抵抗 |     | 01   |
| R171    | HV753100 | Flame Proof C. Resistor   | 1.0 1/4 J   | 不燃化カーボン抵抗 |     | 01   |
| R172    | VZ370200 | Wire Wound Resistor       | 0.1 5W K    | セメント抵抗    |     | 01   |
| R173    | HV753100 | Flame Proof C. Resistor   | 1.0 1/4 J   | 不燃化カーボン抵抗 |     | 01   |
| R174    | VZ370200 | Wire Wound Resistor       | 0.1 5W K    | セメント抵抗    |     | 01   |
| R175    | HV753100 | Flame Proof C. Resistor   | 1.0 1/4 J   | 不燃化カーボン抵抗 |     | 01   |
| R176    | HV753470 | Flame Proof C. Resistor   | 4.7 1/4 J   | 不燃化カーボン抵抗 |     | 01   |

\* : New parts (新規部品)

RANK : Japan only

| REF. NO. | PART NO. | DESCRIPTION               | 部 品 名         | REMARKS     | QTY | RANK |
|----------|----------|---------------------------|---------------|-------------|-----|------|
| R177     | HV754100 | Flame Proof C. Resistor   | 10.0 1/4 J    | 不燃化力ーボン抵抗   |     | 01   |
| R178     | HV754100 | Flame Proof C. Resistor   | 10.0 1/4 J    | 不燃化力ーボン抵抗   |     | 01   |
| R179     | HV755330 | Flame Proof C. Resistor   | 330.0 1/4 J   | 不燃化力ーボン抵抗   |     | 01   |
| * R180   | VC762900 | Metal Oxide Film Resistor | 3.9K 2W J     | 酸化金属被膜抵抗    |     |      |
| R181     | HV755330 | Flame Proof C. Resistor   | 330.0 1/4 J   | 不燃化力ーボン抵抗   |     | 01   |
| R182     | HV755100 | Flame Proof C. Resistor   | 100.0 1/4 J   | 不燃化力ーボン抵抗   |     | 01   |
| * R183   | VC762900 | Metal Oxide Film Resistor | 3.9K 2W J     | 酸化金属被膜抵抗    |     |      |
| R184     | HV754220 | Flame Proof C. Resistor   | 22.0 1/4 J    | 不燃化力ーボン抵抗   |     | 01   |
| R185     | HV754100 | Flame Proof C. Resistor   | 10.0 1/4 J    | 不燃化力ーボン抵抗   |     | 01   |
| R186     | HV755220 | Flame Proof C. Resistor   | 220.0 1/4 J   | 不燃化力ーボン抵抗   |     | 01   |
| * R187   | VC762900 | Metal Oxide Film Resistor | 3.9K 2W J     | 酸化金属被膜抵抗    |     |      |
| R188     | HV755470 | Flame Proof C. Resistor   | 470.0 1/4 J   | 不燃化力ーボン抵抗   |     | 01   |
| R189     | HV754220 | Flame Proof C. Resistor   | 22.0 1/4 J    | 不燃化力ーボン抵抗   |     | 01   |
| R190     | HV754220 | Flame Proof C. Resistor   | 22.0 1/4 J    | 不燃化力ーボン抵抗   |     | 01   |
| R191     | HV753470 | Flame Proof C. Resistor   | 4.7 1/4 J     | 不燃化力ーボン抵抗   |     | 01   |
| R192     | HV754220 | Flame Proof C. Resistor   | 22.0 1/4 J    | 不燃化力ーボン抵抗   |     | 01   |
| R193     | HV754220 | Flame Proof C. Resistor   | 22.0 1/4 J    | 不燃化力ーボン抵抗   |     | 01   |
| R194     | VP939800 | Metal Oxide Film Resistor | 10.0 1W J     | 酸化金属被膜抵抗    |     | 01   |
| R195     | VP939800 | Metal Oxide Film Resistor | 10.0 1W J     | 酸化金属被膜抵抗    |     | 01   |
| R201     | RF357180 | Carbon Resistor (chip)    | 18.0K D 1608  | チ ッ プ 抵 抗   |     |      |
| R202     | RD357100 | Carbon Resistor (chip)    | 10.0K 63M J   | チ ッ プ 抵 抗   |     | 01   |
| R203     | RF357180 | Carbon Resistor (chip)    | 18.0K D 1608  | チ ッ プ 抵 抗   |     |      |
| R204     | RD357120 | Carbon Resistor (chip)    | 12.0K 63M J   | チ ッ プ 抵 抗   |     | 01   |
| R205     | RD357120 | Carbon Resistor (chip)    | 12.0K 63M J   | チ ッ プ 抵 抗   |     | 01   |
| R206     | RD354750 | Carbon Resistor (chip)    | 75.0 63M J    | チ ッ プ 抵 抗   |     | 01   |
| R207     | RD357470 | Carbon Resistor (chip)    | 47.0K 63M J   | チ ッ プ 抵 抗   |     | 01   |
| R208     | RD357470 | Carbon Resistor (chip)    | 47.0K 63M J   | チ ッ プ 抵 抗   |     | 01   |
| R209     | RD354750 | Carbon Resistor (chip)    | 75.0 63M J    | チ ッ プ 抵 抗   |     | 01   |
| R210     | RD356820 | Carbon Resistor (chip)    | 8.2K 63M J    | チ ッ プ 抵 抗   |     | 01   |
| R211     | RD355100 | Carbon Resistor (chip)    | 100.0 63M J   | チ ッ プ 抵 抗   |     | 01   |
| R212     | RD356820 | Carbon Resistor (chip)    | 8.2K 63M J    | チ ッ プ 抵 抗   |     | 01   |
| R213     | RD357270 | Carbon Resistor (chip)    | 27.0K 63M J   | チ ッ プ 抵 抗   |     | 01   |
| R214     | RD355470 | Carbon Resistor (chip)    | 470.0 63M J   | チ ッ プ 抵 抗   |     | 01   |
| R215     | RD357330 | Carbon Resistor (chip)    | 33.0K 63M J   | チ ッ プ 抵 抗   |     | 01   |
| R216     | RD355100 | Carbon Resistor (chip)    | 100.0 63M J   | チ ッ プ 抵 抗   |     | 01   |
| R217     | RD358470 | Carbon Resistor (chip)    | 470.0K 63M J  | チ ッ プ 抵 抗   |     | 01   |
| R218     | RD358470 | Carbon Resistor (chip)    | 470.0K 63M J  | チ ッ プ 抵 抗   |     | 01   |
| R219     | RD356220 | Carbon Resistor (chip)    | 2.2K 63M J    | チ ッ プ 抵 抗   |     | 01   |
| R220     | RD357220 | Carbon Resistor (chip)    | 22.0K 63M J   | チ ッ プ 抵 抗   |     | 01   |
| R221     | HF458120 | Carbon Resistor           | 120.0K 1/4 J  | 力 ー ボ ン 抵 抗 |     | 01   |
| R222     | HF458330 | Carbon Resistor           | 330.0K 1/4 J  | 力 ー ボ ン 抵 抗 |     | 01   |
| R223     | HF457220 | Carbon Resistor           | 22.0K 1/4 J   | 力 ー ボ ン 抵 抗 |     | 01   |
| R224     | HB025510 | Metal Film Resistor       | 510.0 1/4 F   | 金属被膜抵抗      |     | 01   |
| R225     | HF455560 | Carbon Resistor           | 560.0 1/4 J   | 力 ー ボ ン 抵 抗 |     | 01   |
| R226     | HF455560 | Carbon Resistor           | 560.0 1/4 J   | 力 ー ボ ン 抵 抗 |     | 01   |
| R228     | HF455560 | Carbon Resistor           | 560.0 1/4 J   | 力 ー ボ ン 抵 抗 |     | 01   |
| R229     | WB449900 | Carbon Resistor           | 11.0K 1/2 F V | 力 ー ボ ン 抵 抗 |     | 01   |
| R230     | WB449900 | Carbon Resistor           | 11.0K 1/2 F V | 力 ー ボ ン 抵 抗 |     | 01   |
| R231     | HF455200 | Carbon Resistor           | 200.0 1/4 J   | 力 ー ボ ン 抵 抗 |     | 01   |
| R232     | HF456680 | Carbon Resistor           | 6.8K 1/4 J    | 力 ー ボ ン 抵 抗 |     | 01   |
| -234     | HF456680 | Carbon Resistor           | 6.8K 1/4 J    | 力 ー ボ ン 抵 抗 |     | 01   |
| R235     | HF457750 | Carbon Resistor           | 75.0K 1/4 J   | 力 ー ボ ン 抵 抗 |     | 01   |
| R236     | HF457750 | Carbon Resistor           | 75.0K 1/4 J   | 力 ー ボ ン 抵 抗 |     | 01   |
| R237     | HF455220 | Carbon Resistor           | 220.0 1/4 J   | 力 ー ボ ン 抵 抗 |     | 01   |
| R238     | HF455180 | Carbon Resistor           | 180.0 1/4 J   | 力 ー ボ ン 抵 抗 |     | 01   |
| R239     | HF455180 | Carbon Resistor           | 180.0 1/4 J   | 力 ー ボ ン 抵 抗 |     | 01   |
| R240     | HV753100 | Flame Proof C. Resistor   | 1.0 1/4 J     | 不燃化力ーボン抵抗   |     | 01   |
| R241     | HV753100 | Flame Proof C. Resistor   | 1.0 1/4 J     | 不燃化力ーボン抵抗   |     | 01   |
| R242     | HF455100 | Carbon Resistor           | 100.0 1/4 J   | 力 ー ボ ン 抵 抗 |     | 01   |
| R243     | HF456150 | Carbon Resistor           | 1.5K 1/4 J    | 力 ー ボ ン 抵 抗 |     | 01   |
| R244     | HF455120 | Carbon Resistor           | 120.0 1/4 J   | 力 ー ボ ン 抵 抗 |     | 01   |
| R245     | HF455130 | Carbon Resistor           | 130.0 1/4 J   | 力 ー ボ ン 抵 抗 |     | 01   |
| R246     | HF457160 | Carbon Resistor           | 16.0K 1/4 J   | 力 ー ボ ン 抵 抗 |     | 01   |
| * R247   | HB028360 | Metal Film Resistor       | 360.0K 1/4 F  | 金属被膜抵抗      |     |      |
| * R248   | HB028360 | Metal Film Resistor       | 360.0K 1/4 F  | 金属被膜抵抗      |     |      |
| R249     | HB027200 | Metal Film Resistor       | 20.0K 1/4 F   | 金属被膜抵抗      |     |      |
| R250     | HB027200 | Metal Film Resistor       | 20.0K 1/4 F   | 金属被膜抵抗      |     |      |
| * R251   | HB028360 | Metal Film Resistor       | 360.0K 1/4 F  | 金属被膜抵抗      |     |      |
| * R252   | HB028360 | Metal Film Resistor       | 360.0K 1/4 F  | 金属被膜抵抗      |     |      |
| R253     | HF457160 | Carbon Resistor           | 16.0K 1/4 J   | 力 ー ボ ン 抵 抗 |     | 01   |

\* : New parts (新規部品)

RANK : Japan only

| REF NO. | PART NO.        | DESCRIPTION             | 部 品 名              | REMARKS           | QTY     | RANK |
|---------|-----------------|-------------------------|--------------------|-------------------|---------|------|
| R280    | <b>RF357200</b> | Carbon Resistor (chip)  | 20.0K D 1608       | チ ッ プ 抵 抗         |         | 01   |
| R281    | <b>RD357100</b> | Carbon Resistor (chip)  | 10.0K 63M J        | チ ッ プ 抵 抗         |         | 01   |
| * R282  | <b>RF357620</b> | Carbon Resistor (chip)  | 62.0K D 1608       | チ ッ プ 抵 抗         |         | 01   |
| * R283  | <b>HB028270</b> | Metal Film Resistor     | 270.0K 1/4 F       | 金 属 被 膜 抵 抗       |         | 01   |
| R284    | <b>RF357100</b> | Carbon Resistor (chip)  | 10.0K D 1608       | チ ッ プ 抵 抗         |         | 01   |
| R285    | <b>RD358150</b> | Carbon Resistor (chip)  | 150.0K 63M J       | チ ッ プ 抵 抗         |         | 01   |
| R286    | <b>RD358100</b> | Carbon Resistor (chip)  | 100.0K 63M J       | チ ッ プ 抵 抗         |         | 01   |
| R287    | <b>RD357100</b> | Carbon Resistor (chip)  | 10.0K 63M J        | チ ッ プ 抵 抗         |         | 01   |
| R288    | <b>RD357200</b> | Carbon Resistor (chip)  | 20.0K 63M J        | チ ッ プ 抵 抗         |         | 01   |
| R289    | <b>RD358100</b> | Carbon Resistor (chip)  | 100.0K 63M J       | チ ッ プ 抵 抗         |         | 01   |
| R290    | <b>RD357560</b> | Carbon Resistor (chip)  | 56.0K 63M J        | チ ッ プ 抵 抗         |         | 01   |
| R291    | <b>HV756680</b> | Flame Proof C. Resistor | 6.8K 1/4 J         | 不 燃 化 力 ー ボ ン 抵 抗 |         | 01   |
| * R292  | <b>HB028270</b> | Metal Film Resistor     | 270.0K 1/4 F       | 金 属 被 膜 抵 抗       |         | 01   |
| R293    | <b>HB026560</b> | Metal Film Resistor     | 5.6K 1/4 F         | 金 属 被 膜 抵 抗       |         | 01   |
| R294    | <b>HB027200</b> | Metal Film Resistor     | 20.0K 1/4 F        | 金 属 被 膜 抵 抗       |         | 01   |
| R295    | <b>HF456680</b> | Carbon Resistor         | 6.8K 1/4 J         | 力 ー ボ ン 抵 抗       |         | 01   |
| -297    | <b>HF456680</b> | Carbon Resistor         | 6.8K 1/4 J         | 力 ー ボ ン 抵 抗       |         | 01   |
| R298    | <b>HF456100</b> | Carbon Resistor         | 1.0K 1/4 J         | 力 ー ボ ン 抵 抗       |         | 01   |
| R299    | <b>HF457470</b> | Carbon Resistor         | 47.0K 1/4 J        | 力 ー ボ ン 抵 抗       |         | 01   |
| VR201   | <b>VA787500</b> | Trimmer Potentiometer   | B 470 3P RHEOA     | 半 固 定 V R         |         | 01   |
|         | <b>WA968500</b> | Fan                     | RDH8025S2          | D C フ ァ ン         |         | 06   |
|         | <b>V9842200</b> | AC Cord                 | J VCTF 2.0X3       | 電 源 コ ー ド         | J       | 08   |
|         | <b>WC183200</b> | AC Cord                 | UC SJT 3X#18 10A   | 電 源 コ ー ド         | U,V,T   | 07   |
|         | <b>WC183300</b> | AC Cord                 | H H05VV-F0.75X316A | 電 源 コ ー ド         | H,W,A,K | 05   |
|         | <b>WC183500</b> | AC Cord                 | BS H05VV-F 13A     | 電 源 コ ー ド         | B       | 08   |
|         | <b>WD030800</b> | AC Cord                 | CHN 10A 250V 2.5M  | 電 源 コ ー ド         | O       |      |



\* : New parts (新規部品)

RANK : Japan only

# POWER AMPLIFIER

# P 5000S/P 7000S

## ■ CONTENTS (目次)

|                                      |    |
|--------------------------------------|----|
| IC & DIODE OUTSIDE FIGURE (外形図)..... | 2  |
| BLOCK DIAGRAM (ブロックダイアグラム).....      | C1 |
| WIRING DIAGRAM (基板結線図).....          | C2 |
| OVERALL CIRCUIT DIAGRAM (総回路図)       |    |
| IN .....                             | C3 |
| PAH 1/2 .....                        | C4 |
| PAH 2/2 .....                        | C5 |
| PS .....                             | C6 |
| LED, OUT1, OUT2, COIL, VR, PSW ..... | C7 |

## ■ Capacitor (コンデンサー)

- (セ): Ceramic Capacitor (セラミックコンデンサー)
- (マ): Myler Capacitor (マイラーコンデンサー)
- (マイカ): Mica Capacitor (マイカコンデンサー)
- (フ): Myler Capacitor (フィルムコンデンサー)

## ■ Resistor (抵抗)

- (フ): Flame Proof Resistor (不燃化カーボン抵抗)
- セメント: Wire Wound Resistor (セメント抵抗)
- 酸金: Metal Oxide Film Resistor (サンキン抵抗)
- (F): Metal Film Resistor (金属被膜抵抗)

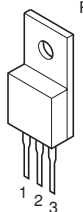
## ■ WARNING

Components having special characteristics are marked  $\triangle$  and must be replaced with parts having specification equal to those originally installed.

$\triangle$ 印の商品は、安全を維持するために重要な部品です。交換する場合は、安全のため必ず指定の部品をご使用下さい。

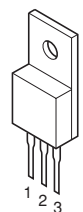
## ■ IC & DIODE OUTSIDE FIGURE (外形図)

• **NJM7815FA** (XD853A00)  
REGULATOR +15V  
PS: IC403, IC404



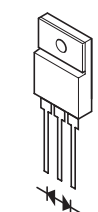
1: INPUT  
2: COMMON  
3: OUTPUT

• **NJM7915FA** (XD854A00)  
REGULATOR -15V  
PS: IC405

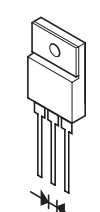


1: COMMON  
2: INPUT  
3: OUTPUT

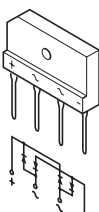
• **FMU-36R** (V8498700)  
DIODE STACK 20.0A 600V  
PS: D413



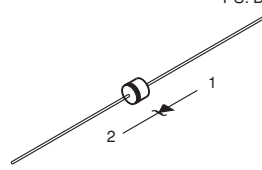
• **FMU-36S** (VN399500)  
DIODE STACK 20.0A 600V  
PS: D412



• **RBV-2506** (V4833600)  
DIODE STACK 25.0A 600V  
PS: D401

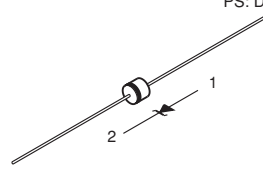


• **MTZ J 5.6B 5.6V** (VG437700)  
ZENER DIODE  
PS: D428



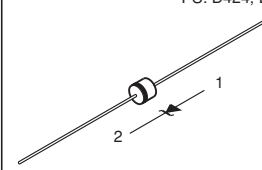
1: ANODE  
2: CATHODE

• **MTZ J 12.0B 12.0V** (VG440200)  
ZENER DIODE  
PS: D437



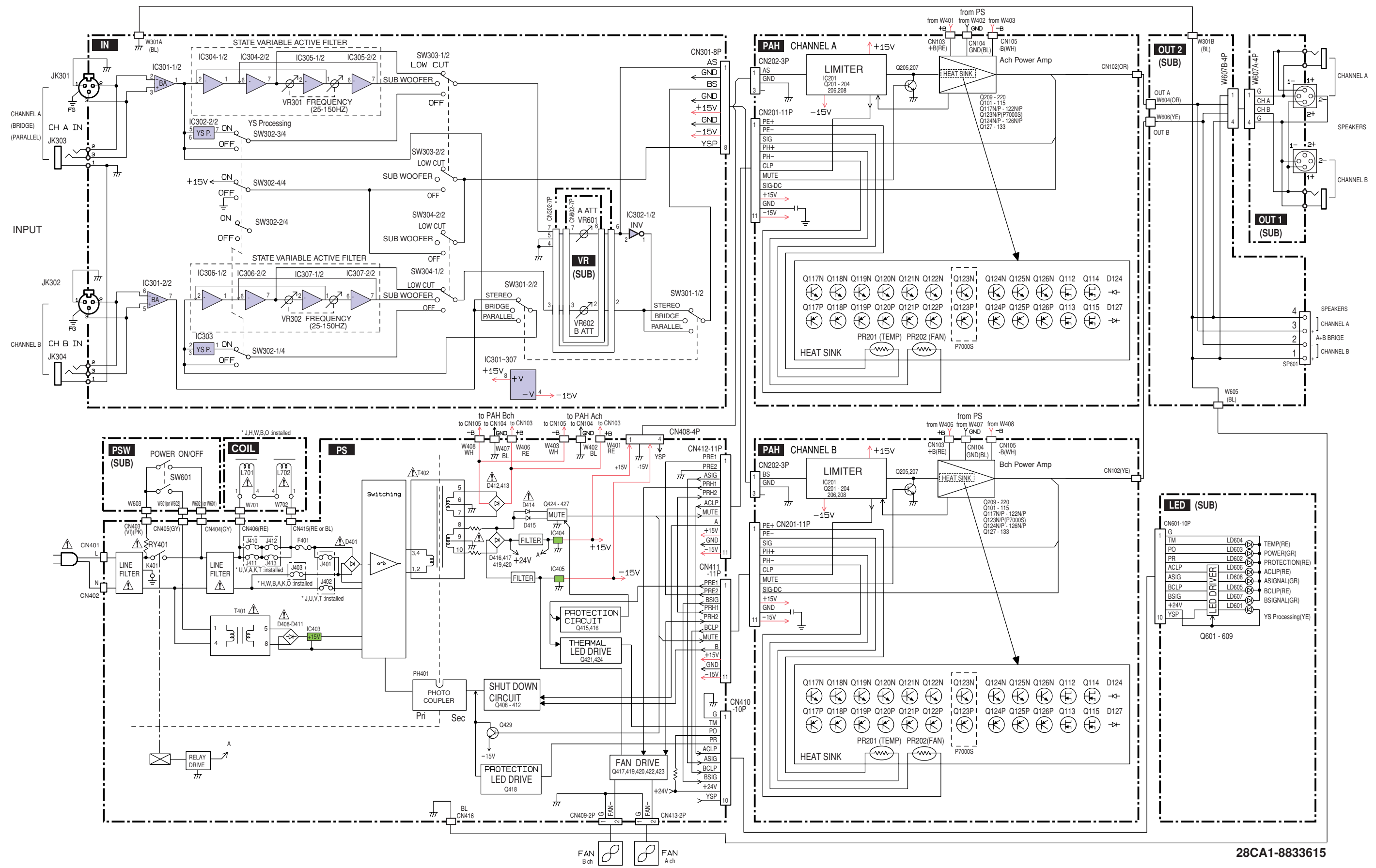
1: ANODE  
2: CATHODE

• **MTZ J 15.0B 15.0V** (VG440800)  
ZENER DIODE  
PS: D424, D433

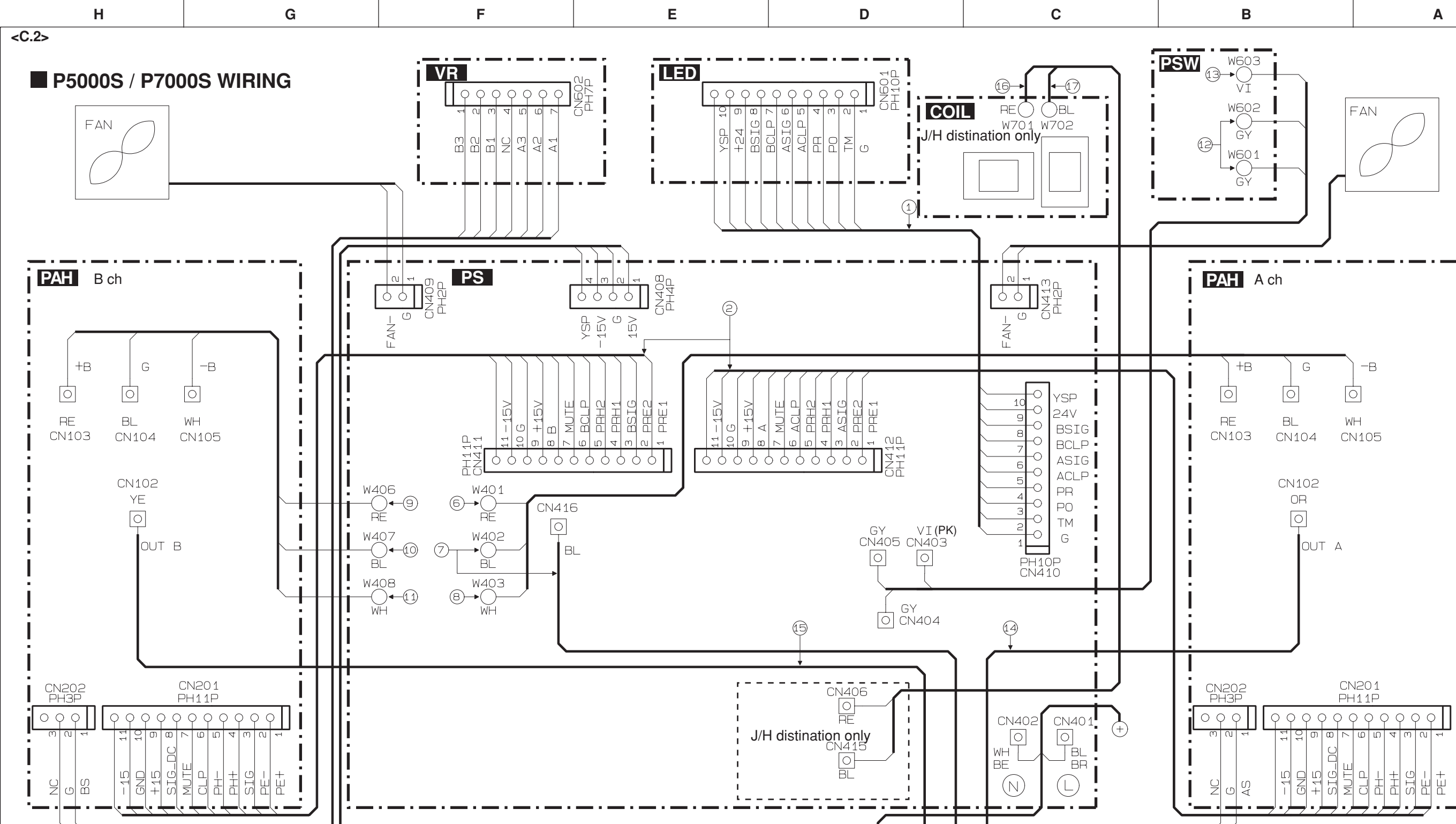


1: ANODE  
2: CATHODE

# P5000S / P7000S BLOCK DIAGRAM







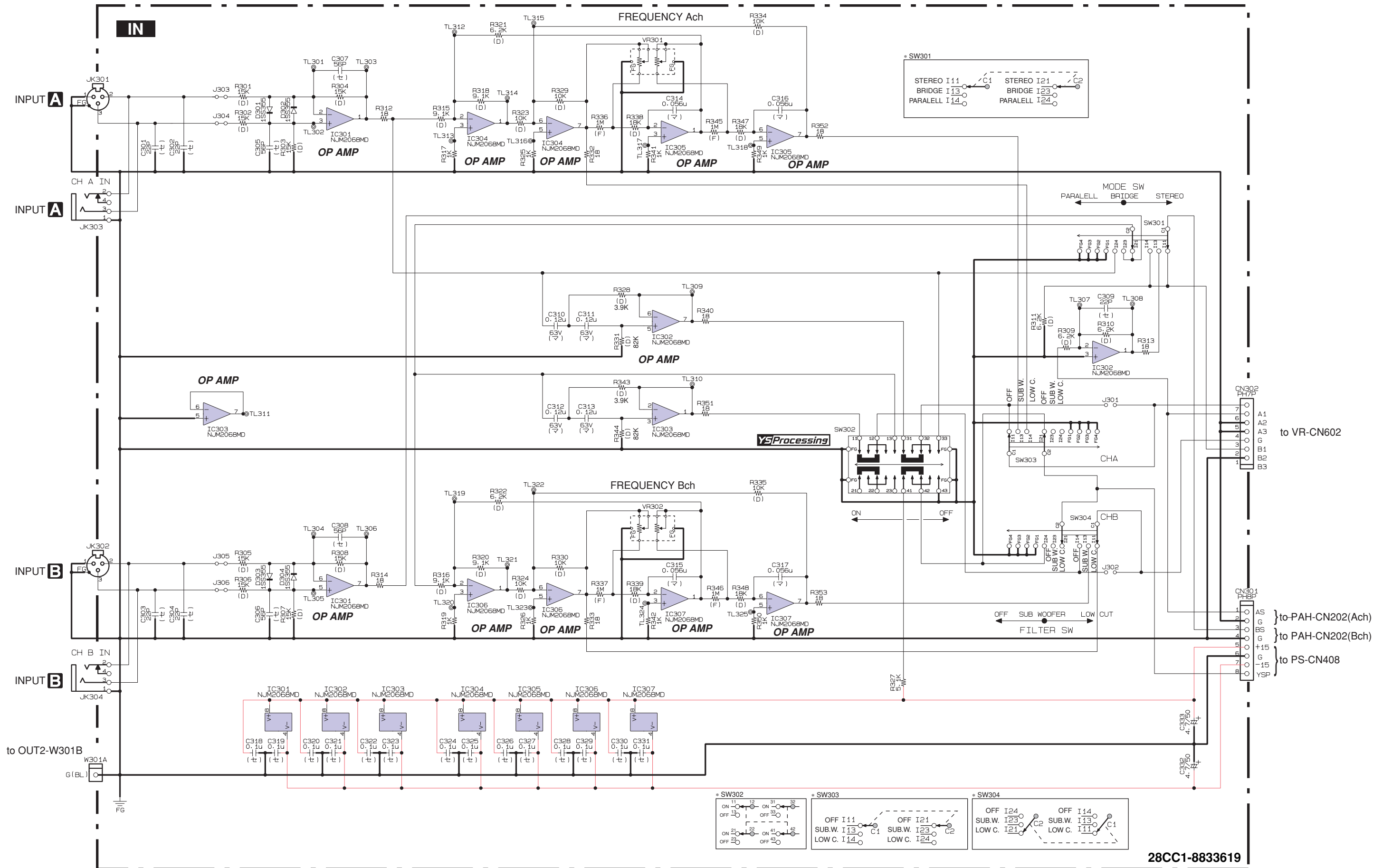
|     |           |                                 |     |           |                               |
|-----|-----------|---------------------------------|-----|-----------|-------------------------------|
| 15  | (WD36090) | WIRING ASS'Y B&C YELLOW 370L    | 18  | (WD36120) | WIRING ASS'Y Y OUT            |
| 14  | (WD36080) | WIRING ASS'Y Y B&C ORANGE 290L  | 17  | (WD36110) | WIRING ASS'Y Y B&C BLACK 350L |
| 13  | (WD36070) | WIRING ASS'Y Y B&C VIOLET 300L  | 16  | (WD36100) | WIRING ASS'Y Y B&C RED 340L   |
| 12  | (WD36060) | WIRING ASS'Y Y B&C GRAY 330L    |     |           |                               |
| 11  | (WD36050) | WIRING ASS'Y Y B&C WHITE 170L   |     |           |                               |
| 10  | (WD36040) | WIRING ASS'Y Y B&C BLACK 170L   |     |           |                               |
| 9   | (WD36030) | WIRING ASS'Y Y B&C RED 170L     |     |           |                               |
| 8   | (WD36020) | WIRING ASS'Y Y B&C WHITE 300L   |     |           |                               |
| 7   | (WD36010) | WIRING ASS'Y Y B&C BLACK 300L   |     |           |                               |
| 6   | (WD36000) | WIRING ASS'Y Y B&C RED 300L     |     |           |                               |
| 5   | (WD35980) | WIRING ASS'Y Y B&B              |     |           |                               |
| 4   | (WD35970) | WIRING ASS'Y Y SIG              |     |           |                               |
| 3   | (WD35960) | WIRING ASS'Y Y ATT              |     |           |                               |
| 2   | (WD35950) | WIRING ASS'Y Y #28 C&C 11P 450L |     |           |                               |
| 1   | (WD35940) | WIRING ASS'Y Y #28 C&C 10P 200L |     |           |                               |
| No. | Part No.  | Part name                       | No. | Part No.  | Part name                     |

\* Connector assembly is not a service parts.

28C99-8833621

AC IN

P5000S / P7000S OVERALL CIRCUIT DIAGRAM 1/5 (IN)



■ P5000S / P7000S OVERALL CIRCUIT DIAGRAM 2/5 (PAH 1/2)

PAH 1/2

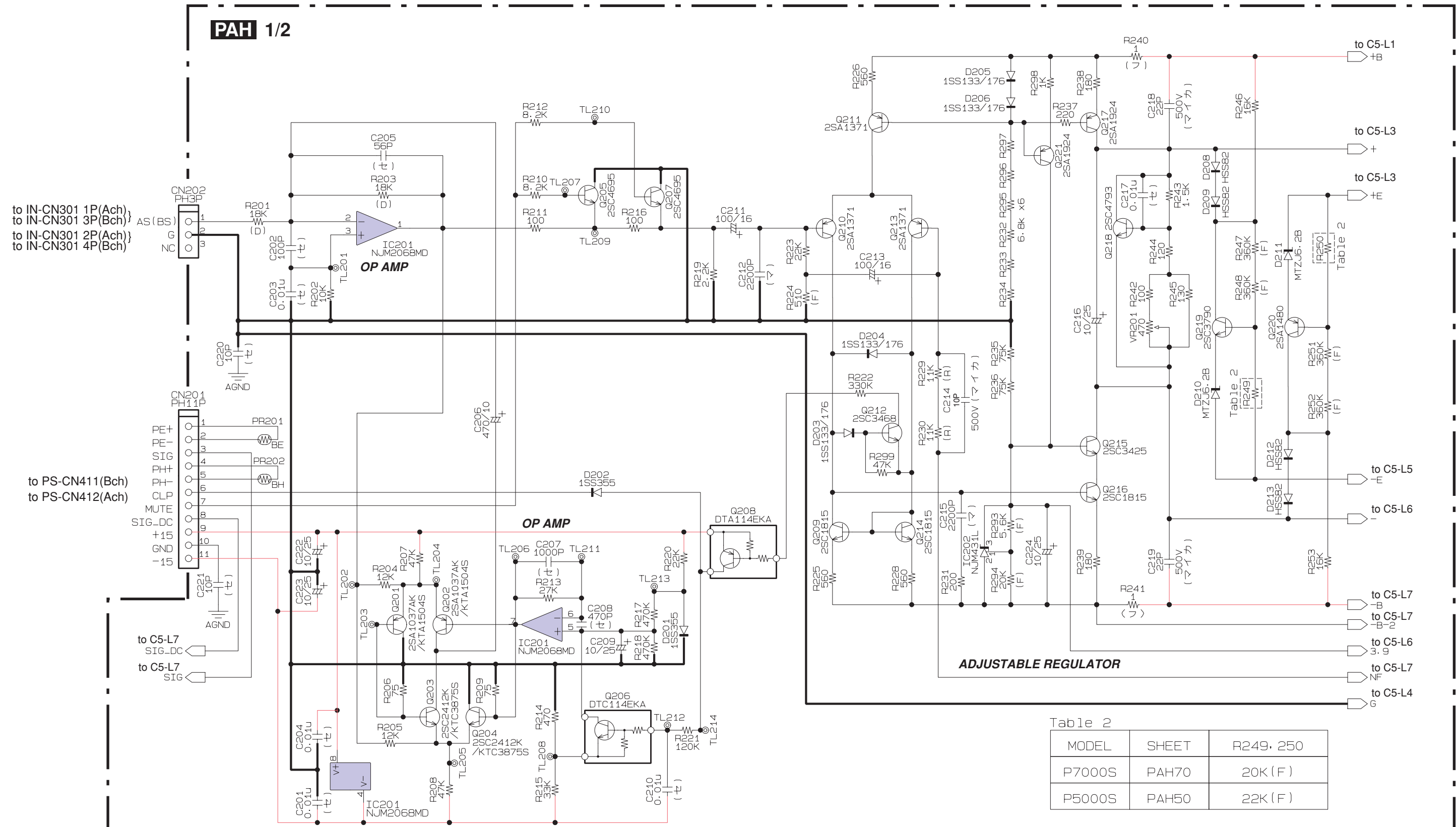


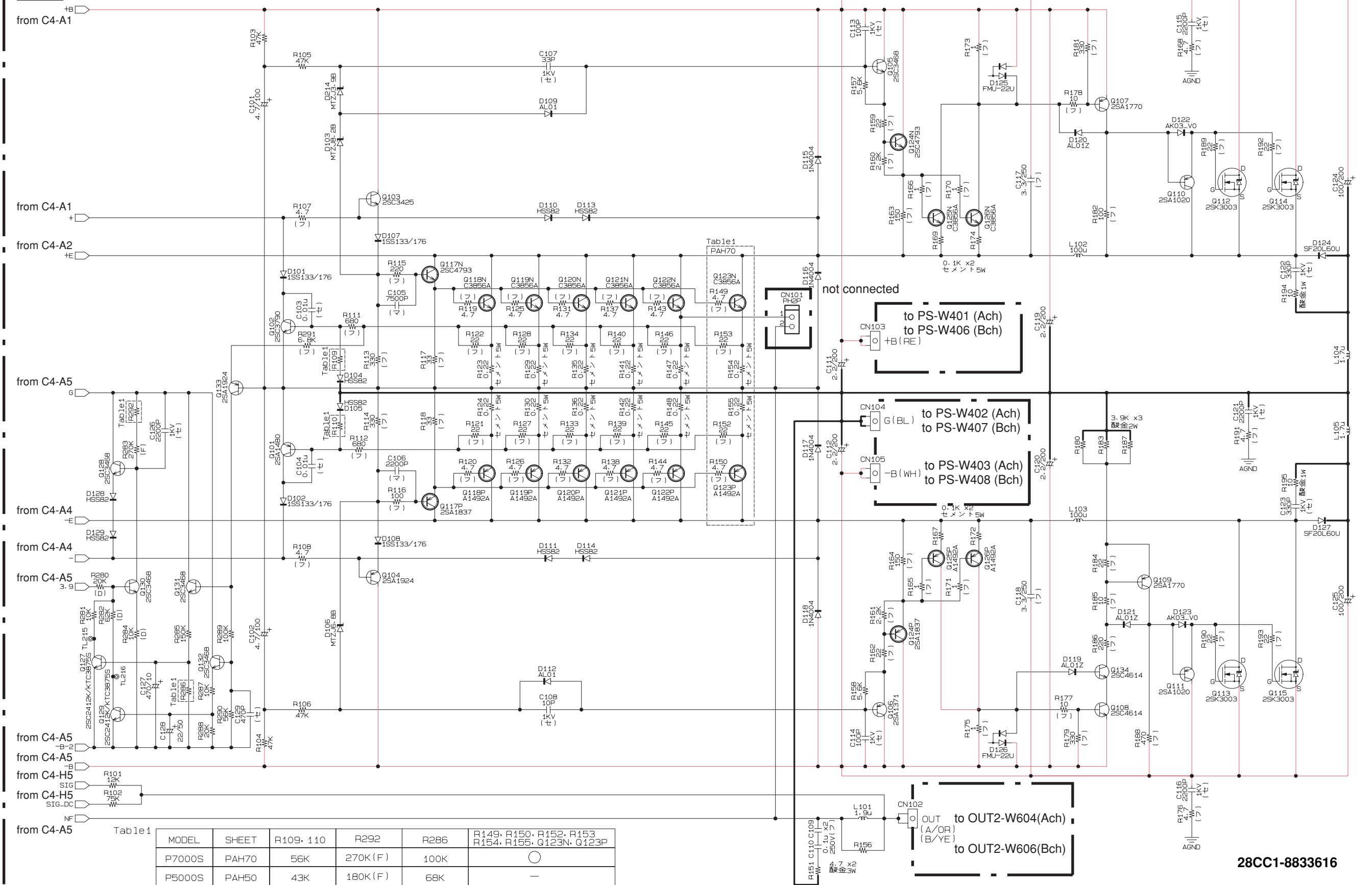
Table 2

| MODEL  | SHEET | R249, 250 |
|--------|-------|-----------|
| P7000S | PAH70 | 20K (F)   |
| P5000S | PAH50 | 22K (F)   |

28CC1-8833616

■ P5000S / P7000S OVERALL CIRCUIT DIAGRAM 3/5 (PAH 2/2)

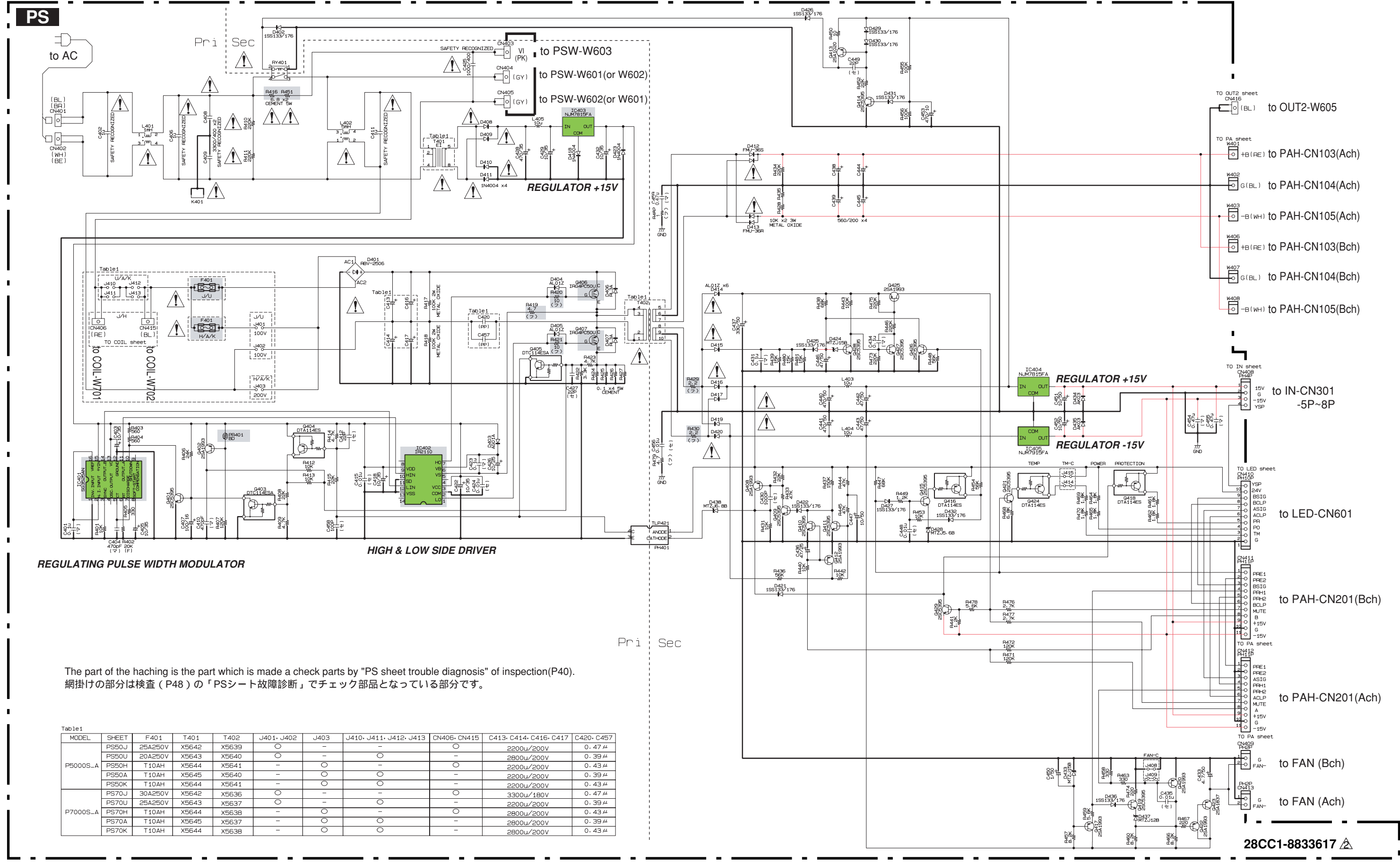
PAH 2/2



| MODEL  | SHEET | R109, 110 | R292    | R286 | R149, R150, R152, R153<br>R154, R155, Q123N, Q123P |
|--------|-------|-----------|---------|------|--|
| P7000S | PAH70 | 56K       | 270K(F) | 100K | ○  |
| P5000S | PAH50 | 43K       | 180K(F) | 68K  | —  |

**P5000S / P7000S OVERALL CIRCUIT DIAGRAM 4/5 (PS)**

1  
2  
3  
4  
5  
6  
7  
8  
9  
10  
11  
12



The part of the hatching is the part which is made a check parts by "PS sheet trouble diagnosis" of inspection(P40).  
網掛けの部分は検査 (P48) の「PSシート故障診断」でチェック部品となっている部分です。

Table1

| MODEL    | SHEET | F401    | T401  | T402  | J401, J402 | J403 | J410, J411, J412, J413 | CN405, CN415 | C413, C414, C415, C417 | C420, C457 |
|----------|-------|---------|-------|-------|------------|------|------------------------|--------------|------------------------|------------|
| P5000S-A | PS50J | 25A250V | X5642 | X5639 | ○          | -    | -                      | ○            | 2200μ/200V             | 0.47μ      |
|          | PS50U | 20A250V | X5643 | X5640 | ○          | -    | -                      | ○            | 2800μ/200V             | 0.39μ      |
|          | PS50H | T10AH   | X5644 | X5641 | ○          | ○    | ○                      | ○            | 2200μ/200V             | 0.43μ      |
|          | PS50A | T10AH   | X5645 | X5640 | -          | -    | -                      | -            | 2200μ/200V             | 0.39μ      |
| P7000S-A | PS50K | T10AH   | X5644 | X5641 | ○          | ○    | ○                      | ○            | 2200μ/200V             | 0.43μ      |
|          | PS70J | 30A250V | X5642 | X5636 | ○          | ○    | ○                      | ○            | 2200μ/200V             | 0.47μ      |
|          | PS70U | 25A250V | X5643 | X5637 | ○          | ○    | ○                      | ○            | 3300μ/180V             | 0.47μ      |
|          | PS70H | T10AH   | X5644 | X5638 | ○          | ○    | ○                      | ○            | 2200μ/200V             | 0.39μ      |
|          | PS70A | T10AH   | X5645 | X5637 | -          | -    | -                      | -            | 2800μ/200V             | 0.43μ      |
|          | PS70K | T10AH   | X5644 | X5638 | ○          | ○    | ○                      | ○            | 2800μ/200V             | 0.39μ      |
|          | PS70L | T10AH   | X5644 | X5638 | ○          | ○    | ○                      | ○            | 2800μ/200V             | 0.43μ      |

28CC1-8833617



■ P5000S / P7000S OVERALL CIRCUIT DIAGRAM 5/5 (LED, OUT1, OUT2, COIL, VR, PSW)

P5000S/P7000S

