

## LM2735-xx 520-kHz and 1.6-MHz Space-Efficient Boost and SEPIC DC-DC Regulator

### 1 Features

- Input Voltage Range: 2.7 V to 5.5 V
- Output Voltage Range: 3 V to 24 V
- 2.1-A Switch Current Over Full Temperature Range
- Current-Mode Control
- Logic High Enable Pin
- Ultra-Low Standby Current of 80 nA in Shutdown
- 170-mΩ NMOS Switch
- $\pm 2\%$  Feedback Voltage Accuracy
- Ease-of-Use, Small Total Solution Size
  - Internal Soft Start
  - Internal Compensation
  - Two Switching Frequencies
  - 520 kHz (LM2735-Y)
  - 1.6 MHz (LM2735-X)
  - Uses Small Surface Mount Inductors and Chip Capacitors
  - Tiny SOT-23, WSON, and MSOP-PowerPAD Packages
- LM2735-Q1 is AEC-Q100 Grade 1 Qualified and is Manufactured on an Automotive Grade Flow

### 2 Applications

- LCD Display Backlighting For Portable Applications
- OLED Panel Power Supply
- USB-Powered Devices
- Digital Still and Video Cameras
- White LED Current Source
- Automotive

### 3 Description

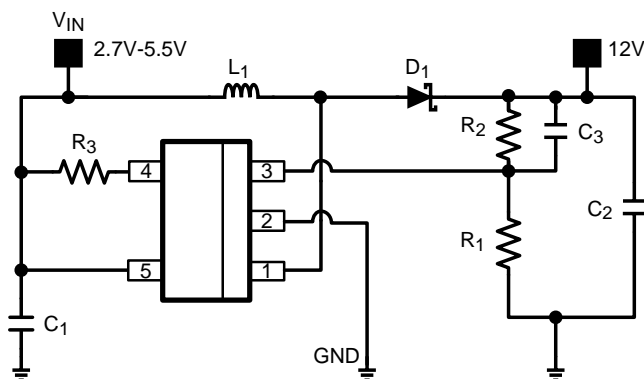
The LM2735 device is an easy-to-use, space-efficient 2.1-A low-side switch regulator, ideal for Boost and SEPIC DC-DC regulation. The device provides all the active functions to provide local DC-DC conversion with fast-transient response and accurate regulation in the smallest PCB area. Switching frequency is internally set to either 520 kHz or 1.6 MHz, allowing the use of extremely small surface mount inductor and chip capacitors, while providing efficiencies of up to 90%. Current-mode control and internal compensation provide ease-of-use, minimal component count, and high-performance regulation over a wide range of operating conditions. External shutdown features an ultra-low standby current of 80 nA, ideal for portable applications. Tiny SOT-23, WSON, and MSOP-PowerPAD packages provide space savings. Additional features include internal soft start, circuitry to reduce inrush current, pulse-by-pulse current limit, and thermal shutdown.

#### Device Information<sup>(1)</sup>

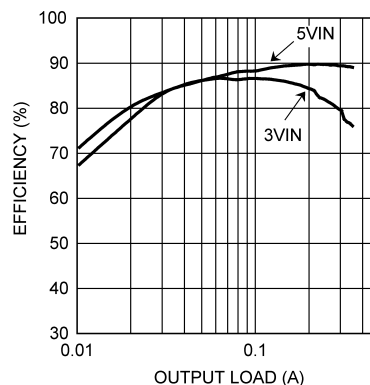
| PART NUMBER | PACKAGE           | BODY SIZE (NOM)   |
|-------------|-------------------|-------------------|
| LM2735      | WSON (6)          | 3.00 mm x 3.00 mm |
|             | SOT-23 (5)        | 1.60 mm x 2.90 mm |
|             | MSOP-PowerPAD (8) | 3.00 mm x 3.00 mm |
| LM2735-Q1   | WSON (6)          | 3.00 mm x 3.00 mm |
|             | SOT-23 (5)        | 1.60 mm x 2.90 mm |

(1) For all available packages, see the orderable addendum at the end of the data sheet.

#### Typical Boost Application Circuit



#### Efficiency vs Load Current $V_O = 12\text{ V}$



## Table of Contents

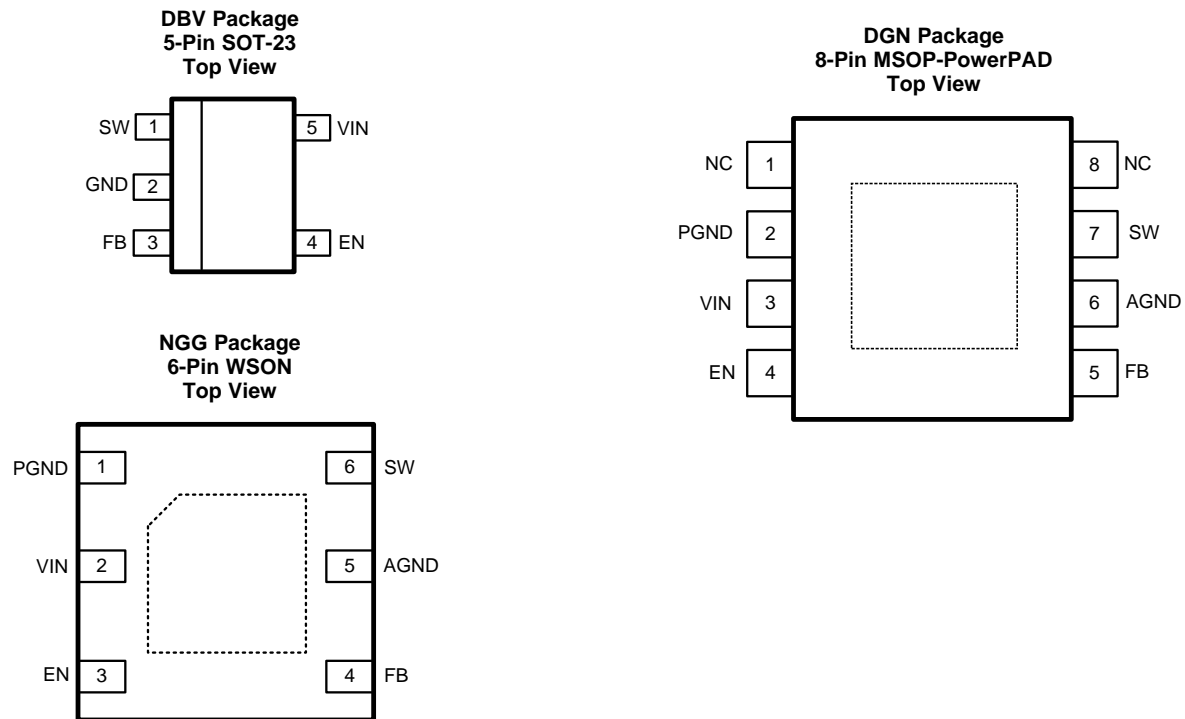
|   |  |
|---|--|
| <b>1 Features</b> ..... 1<br><b>2 Applications</b> ..... 1<br><b>3 Description</b> ..... 1<br><b>4 Revision History</b> ..... 2<br><b>5 Pin Configuration and Functions</b> ..... 3<br><b>6 Specifications</b> ..... 4<br>6.1 Absolute Maximum Ratings ..... 4<br>6.2 ESD Ratings: LM2735 ..... 4<br>6.3 ESD Ratings: LM2735-Q1 ..... 4<br>6.4 Recommended Operating Conditions ..... 4<br>6.5 Thermal Information ..... 4<br>6.6 Electrical Characteristics ..... 5<br>6.7 Typical Characteristics ..... 7<br><b>7 Detailed Description</b> ..... 9<br>7.1 Overview ..... 9<br>7.2 Functional Block Diagram ..... 11<br>7.3 Feature Description ..... 11<br>7.4 Device Functional Modes ..... 14 | <b>8 Application and Implementation</b> ..... 14<br>8.1 Application Information ..... 14<br>8.2 Typical Applications ..... 14<br><b>9 Power Supply Recommendations</b> ..... 37<br><b>10 Layout</b> ..... 37<br>10.1 Layout Guidelines ..... 37<br>10.2 Layout Examples ..... 38<br>10.3 Thermal Considerations ..... 39<br><b>11 Device and Documentation Support</b> ..... 48<br>11.1 Device Support ..... 48<br>11.2 Documentation Support ..... 48<br>11.3 Related Links ..... 48<br>11.4 Community Resources ..... 48<br>11.5 Trademarks ..... 48<br>11.6 Electrostatic Discharge Caution ..... 48<br>11.7 Glossary ..... 48<br><b>12 Mechanical, Packaging, and Orderable Information</b> ..... 49 |
|---|--|

## 4 Revision History

NOTE: Page numbers for previous revisions may differ from page numbers in the current version.

| <b>Changes from Revision G (August 2015) to Revision H</b>  | <b>Page</b> |
|---|-------------|
| <ul style="list-style-type: none"> <li>• Changed <math>V_{FB}</math> Feedback Test Conditions from "<math>T_J = -40^{\circ}\text{C}</math> to <math>125^{\circ}\text{C}</math>" To "<math>T_J = 0^{\circ}\text{C}</math> to <math>125^{\circ}\text{C}</math>" for the SOT-23, WSON, and MSOP-PowerPAD devices ..... 5</li> </ul>  | 5           |
| <b>Changes from Revision F (April 2013) to Revision G</b>   | <b>Page</b> |
| <ul style="list-style-type: none"> <li>• Added <i>ESD Ratings</i> table, <i>Feature Description</i> section, <i>Device Functional Modes</i>, <i>Application and Implementation</i> section, <i>Power Supply Recommendations</i> section, <i>Layout</i> section, <i>Device and Documentation Support</i> section, and <i>Mechanical, Packaging, and Orderable Information</i> section. .... 1</li> </ul> | 1           |
| <b>Changes from Revision E (April 2013) to Revision F</b>   | <b>Page</b> |
| <ul style="list-style-type: none"> <li>• Changed layout of National Data Sheet to TI format ..... 33</li> </ul>   | 33          |

## 5 Pin Configuration and Functions



### Pin Functions

| NAME | PIN    |      |               | I/O | DESCRIPTION   |
|------|--------|------|---------------|-----|---|
|      | SOT-23 | WSON | MSOP-PowerPAD |     |   |
| AGND | —      | 5    | 6             | PWR | Signal ground pin. Place the bottom resistor of the feedback network as close as possible to this pin and pin 4.<br>For MSOP-PowerPAD, place the bottom resistor of the feedback network as close as possible to this pin and pin 5 |
| EN   | 4      | 3    | 4             | I   | Shutdown control input. Logic high enables operation. Do not allow this pin to float or be greater than $V_{IN} + 0.3$ V.   |
| FB   | 3      | 4    | 5             | I   | Feedback pin. Connect FB to external resistor-divider to set output voltage.  |
| GND  | 2      | DAP  | DAP           | PWR | Signal and power ground pin. Place the bottom resistor of the feedback network as close as possible to this pin.<br>For WSON, connect to pin 1 and pin 5 on top layer. Place 4-6 vias from DAP to bottom layer GND plane.           |
| NC   | —      | —    | 1, 8          | —   | No Connect  |
| PGND | —      | 1    | 2             | PWR | Power ground pin. Place PGND and output capacitor GND close together.   |
| SW   | 1      | 6    | 7             | O   | Output switch. Connect to the inductor, output diode.   |
| VIN  | 5      | 2    | 3             | PWR | Supply voltage for power stage, and input supply voltage.   |

## 6 Specifications

### 6.1 Absolute Maximum Ratings<sup>(1)</sup>

|  | MIN  | MAX  | UNIT |
|--|------|------|------|
| $V_{IN}$   | –0.5 | 7    | V    |
| SW Voltage   | –0.5 | 26.5 | V    |
| FB Voltage   | –0.5 | 3    | V    |
| EN Voltage   | –0.5 | 7    | V    |
| Junction Temperature <sup>(2)</sup>                      |      | 150  | °C   |
| Soldering Information, Infrared/Convection Reflow (15 s) |      | 220  | °C   |
| Storage Temperature                                      | –65  | 150  | °C   |

- (1) If Military/Aerospace specified devices are required, please contact the Texas Instruments Sales Office/ Distributors for availability and specifications.
- (2) Thermal shutdown will occur if the junction temperature exceeds the maximum junction temperature of the device.

### 6.2 ESD Ratings: LM2735

|                                     |  | VALUE | UNIT |
|-------------------------------------|--|-------|------|
| $V_{(ESD)}$ Electrostatic discharge | Human body model (HBM), per ANSI/ESDA/JEDEC JS-001 <sup>(1)(2)</sup>           | ±2000 | V    |
|                                     | Charged device model (CDM), per JEDEC specification JESD22-C101 <sup>(3)</sup> | ±1000 |      |

- (1) JEDEC document JEP155 states that 500-V HBM allows safe manufacturing with a standard ESD control process. Manufacturing with less than 500-V HBM is possible if necessary precautions are taken.
- (2) The human body model is a 100-pF capacitor discharged through a 1.5-k $\Omega$  resistor into each pin.
- (3) JEDEC document JEP157 states that 250-V CDM allows safe manufacturing with a standard ESD control process. Manufacturing with less than 250-V CDM is possible if necessary precautions are taken.

### 6.3 ESD Ratings: LM2735-Q1

|                                     |   | VALUE | UNIT |
|-------------------------------------|---|-------|------|
| $V_{(ESD)}$ Electrostatic discharge | Human body model (HBM), per AEC Q100-002 <sup>(1)</sup> | ±2000 | V    |
|                                     | Charged device model (CDM), per AEC Q100-011            | ±1000 |      |

- (1) AEC Q100-002 indicates that HBM stressing shall be in accordance with the ANSI/ESDA/JEDEC JS-001 specification.

### 6.4 Recommended Operating Conditions

over operating free-air temperature range (unless otherwise noted)

|                            |                   | MIN | NOM | MAX      | UNIT |
|----------------------------|-------------------|-----|-----|----------|------|
| $V_{IN}$                   |                   | 2.7 |     | 5.5      | V    |
| $V_{SW}$                   |                   | 3   |     | 24       | V    |
| $V_{EN}$ <sup>(1)</sup>    |                   | 0   |     | $V_{IN}$ | V    |
| Junction Temperature Range |                   | –40 |     | 125      | °C   |
| Power Dissipation          | (Internal) SOT-23 |     |     | 400      | mW   |

- (1) Do not allow this pin to float or be greater than  $V_{IN} + 0.3$  V.

### 6.5 Thermal Information

| THERMAL METRIC <sup>(1)</sup> |  | LM2735, LM2735-Q1 |              | LM2735              | UNIT |
|-------------------------------|--|-------------------|--------------|---------------------|------|
|                               |  | NGG (WSON)        | DBV (SOT-23) | DGN (MSOP-PowerPAD) |      |
|                               |  | 6 PINS            | 5 PINS       | 8 PINS              |      |
| $R_{\theta JA}$               | Junction-to-ambient thermal resistance <sup>(2)</sup>    | 54.9              | 164.2        | 59                  | °C/W |
| $R_{\theta JC(top)}$          | Junction-to-case (top) thermal resistance <sup>(2)</sup> | 50.9              | 115.3        | 51.2                | °C/W |
| $R_{\theta JB}$               | Junction-to-board thermal resistance                     | 29.3              | 27           | 35.8                | °C/W |

- (1) For more information about traditional and new thermal metrics, see the *Semiconductor and IC Package Thermal Metrics* application report, [SPRA953](#).
- (2) Applies for packages soldered directly onto a 3" x 3" PC board with 2-oz. copper on 4 layers in still air.

**Thermal Information (continued)**

| THERMAL METRIC <sup>(1)</sup> |  | LM2735, LM2735-Q1 |              | LM2735              | UNIT |
|-------------------------------|--|-------------------|--------------|---------------------|------|
|                               |  | NGG (WSON)        | DBV (SOT-23) | DGN (MSOP-PowerPAD) |      |
|                               |  | 6 PINS            | 5 PINS       | 8 PINS              |      |
| $\Psi_{JT}$                   | Junction-to-top characterization parameter   | 0.7               | 12.8         | 2.7                 | °C/W |
| $\Psi_{JB}$                   | Junction-to-board characterization parameter | 29.4              | 26.5         | 35.6                | °C/W |
| $R_{\theta JC(bot)}$          | Junction-to-case (bottom) thermal resistance | 9.3               | N/A          | 7.3                 | °C/W |

**6.6 Electrical Characteristics**

Limits are for  $T_J = 25^\circ\text{C}$ . Minimum and Maximum limits are specified through test, design, or statistical correlation. Typical values represent the most likely parametric norm at  $T_J = 25^\circ\text{C}$ , and are provided for reference purposes only.  $V_{IN} = 5\text{ V}$  unless otherwise indicated under the Conditions column.

| PARAMETER                              | TEST CONDITIONS  | MIN   | TYP   | MAX   | UNIT |       |
|--|--|---|-------|-------|------|-------|
| $V_{FB}$                               | –40°C ≤ to $T_J$ ≤ 125°C (SOT-23)  | $T_J = 25^\circ\text{C}$                        | 1.255 |       | V    |       |
|  |  | $T_J = -40^\circ\text{C to } 125^\circ\text{C}$ | 1.23  | 1.28  |      |       |
|  | 0°C ≤ to $T_J$ ≤ 125°C (SOT-23)  | $T_J = 25^\circ\text{C}$                        |       | 1.255 |      |       |
|  |  | $T_J = 0^\circ\text{C to } 125^\circ\text{C}$   | 1.236 |       |      | 1.274 |
|  | –40°C ≤ to $T_J$ ≤ 125°C (WSON)  | $T_J = 25^\circ\text{C}$                        |       | 1.255 |      |       |
|  |  | $T_J = -40^\circ\text{C to } 125^\circ\text{C}$ | 1.225 |       |      | 1.285 |
|  | 0°C ≤ to $T_J$ ≤ 125°C (WSON)  | $T_J = 25^\circ\text{C}$                        |       | 1.255 |      |       |
|  |  | $T_J = 0^\circ\text{C to } 125^\circ\text{C}$   | 1.229 |       |      | 1.281 |
|  | –40°C ≤ to $T_J$ ≤ 125°C (MSOP-PowerPAD)   | $T_J = 25^\circ\text{C}$                        |       | 1.255 |      |       |
|  |  | $T_J = -40^\circ\text{C to } 125^\circ\text{C}$ | 1.22  |       |      | 1.29  |
| 0°C ≤ to $T_J$ ≤ 125°C (MSOP-PowerPAD) | $T_J = 25^\circ\text{C}$   |   | 1.255 |       |      |       |
|  | $T_J = 0^\circ\text{C to } 125^\circ\text{C}$  | 1.23  |       | 1.28  |      |       |
| $\Delta V_{FB}/V_{IN}$                 | Feedback Voltage Line Regulation<br>$V_{IN} = 2.7\text{ V to } 5.5\text{ V}$                               |   | 0.06  |       | %/V  |       |
| $I_{FB}$                               | Feedback Input Bias Current<br>$T_J = 25^\circ\text{C}$<br>$T_J = -40^\circ\text{C to } 125^\circ\text{C}$ |   | 0.1   |       | μA   |       |
|  |  |   |       | 1     |      |       |
| $F_{SW}$                               | LM2735-X   | $T_J = 25^\circ\text{C}$                        | 1600  |       | kHz  |       |
|  |  | $T_J = -40^\circ\text{C to } 125^\circ\text{C}$ | 1200  | 2000  |      |       |
|  | LM2735-Y   | $T_J = 25^\circ\text{C}$                        |       | 520   |      |       |
|  |  | $T_J = -40^\circ\text{C to } 125^\circ\text{C}$ | 360   |       |      | 680   |
| $D_{MAX}$                              | LM2735-X   | $T_J = 25^\circ\text{C}$                        |       | 96%   |      |       |
|  |  | $T_J = -40^\circ\text{C to } 125^\circ\text{C}$ |       | 88%   |      |       |
|  | LM2735-Y   | $T_J = 25^\circ\text{C}$                        |       | 99%   |      |       |
|  |  | $T_J = -40^\circ\text{C to } 125^\circ\text{C}$ |       | 91%   |      |       |
| $D_{MIN}$                              | LM2735-X   |   |       | 5%    |      |       |
|  | LM2735-Y   |   |       | 2%    |      |       |
| $R_{DS(ON)}$                           | SOT-23 and MSOP-PowerPAD   | $T_J = 25^\circ\text{C}$                        |       | 170   | mΩ   |       |
|  |  | $T_J = -40^\circ\text{C to } 125^\circ\text{C}$ |       | 330   |      |       |
|  | WSON   | $T_J = 25^\circ\text{C}$                        |       | 190   |      |       |
|  |  | $T_J = -40^\circ\text{C to } 125^\circ\text{C}$ |       | 350   |      |       |
| $I_{CL}$                               | Switch Current Limit<br>$T_J = 25^\circ\text{C}$<br>$T_J = -40^\circ\text{C to } 125^\circ\text{C}$        |   |       | 3     | A    |       |
|  |  |   |       | 2.1   |      |       |
| SS                                     | Soft Start   |   |       | 4     | ms   |       |

## Electrical Characteristics (continued)

Limits are for  $T_J = 25^\circ\text{C}$ . Minimum and Maximum limits are specified through test, design, or statistical correlation. Typical values represent the most likely parametric norm at  $T_J = 25^\circ\text{C}$ , and are provided for reference purposes only.  $V_{IN} = 5\text{ V}$  unless otherwise indicated under the Conditions column.

| PARAMETER                    |   | TEST CONDITIONS   |  | MIN | TYP | MAX  | UNIT             |
|------------------------------|---|---|--|-----|-----|------|------------------|
| $I_Q$                        | Quiescent Current (switching)               | LM2735-X  | $T_J = 25^\circ\text{C}$                         |     | 7   |      | mA               |
|                              |   |   | $T_J = -40^\circ\text{C}$ to $125^\circ\text{C}$ |     |     | 11   |                  |
|                              | LM2735-Y                                    | $T_J = 25^\circ\text{C}$  |  | 3.4 |     |      |                  |
|                              |   | $T_J = -40^\circ\text{C}$ to $125^\circ\text{C}$                      |  |     | 7   |      |                  |
| Quiescent Current (shutdown) | All Options $V_{EN} = 0\text{ V}$           |   |  | 80  |     | nA   |                  |
| UVLO                         | Undervoltage Lockout                        | VIN Rising  | $T_J = 25^\circ\text{C}$                         |     | 2.3 |      | V                |
|                              |   |   | $T_J = -40^\circ\text{C}$ to $125^\circ\text{C}$ |     |     | 2.65 |                  |
|                              |   | VIN Falling   | $T_J = 25^\circ\text{C}$                         |     | 1.9 |      |                  |
|                              |   |   | $T_J = -40^\circ\text{C}$ to $125^\circ\text{C}$ |     | 1.7 |      |                  |
| $V_{EN\_TH}$                 | Shutdown Threshold Voltage                  | See <sup>(1)</sup> , $T_J = -40^\circ\text{C}$ to $125^\circ\text{C}$ |  |     |     | 0.4  | V                |
|                              | Enable Threshold Voltage                    | See <sup>(1)</sup> , $T_J = -40^\circ\text{C}$ to $125^\circ\text{C}$ |  |     | 1.8 |      |                  |
| $I_{SW}$                     | Switch Leakage                              | $V_{SW} = 24\text{ V}$  |  |     | 1   |      | $\mu\text{A}$    |
| $I_{EN}$                     | Enable Pin Current                          | Sink/Source   |  |     | 100 |      | nA               |
| $T_{SD}$                     | Thermal Shutdown Temperature <sup>(2)</sup> |   |  |     | 160 |      | $^\circ\text{C}$ |
|                              | Thermal Shutdown Hysteresis                 |   |  |     | 10  |      |                  |

(1) Do not allow this pin to float or be greater than  $V_{IN} + 0.3\text{ V}$ .

(2) Thermal shutdown will occur if the junction temperature exceeds the maximum junction temperature of the device.

## 6.7 Typical Characteristics

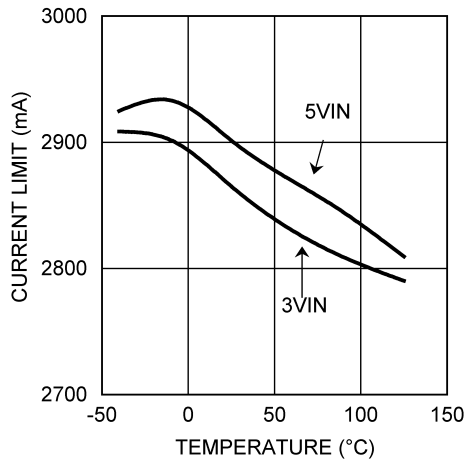


Figure 1. Current Limit vs Temperature

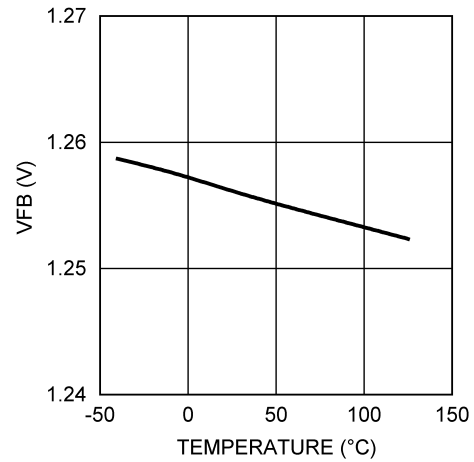


Figure 2. FB Pin Voltage vs Temperature

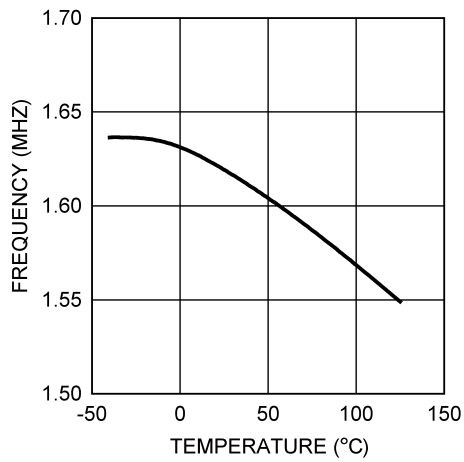


Figure 3. Oscillator Frequency vs Temperature - "X"

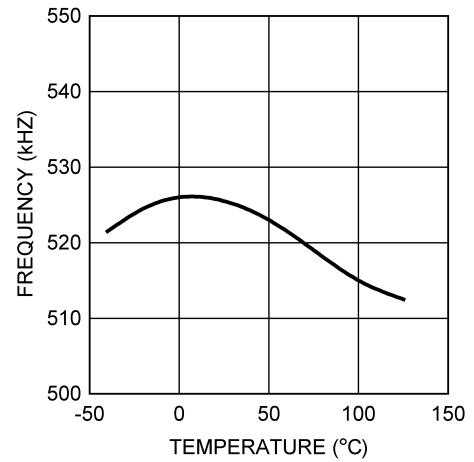


Figure 4. Oscillator Frequency vs Temperature - "Y"

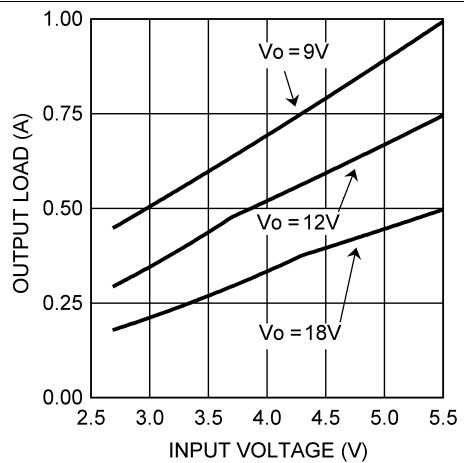


Figure 5. Typical Maximum Output Current vs  $V_{IN}$

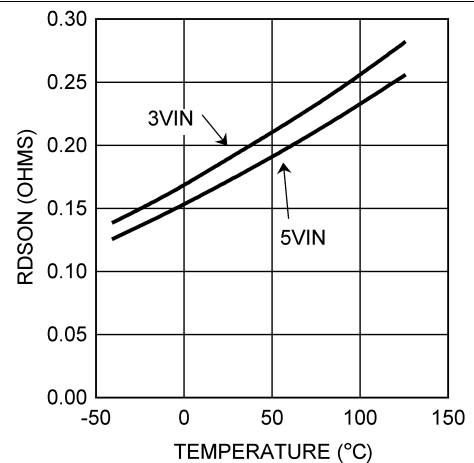
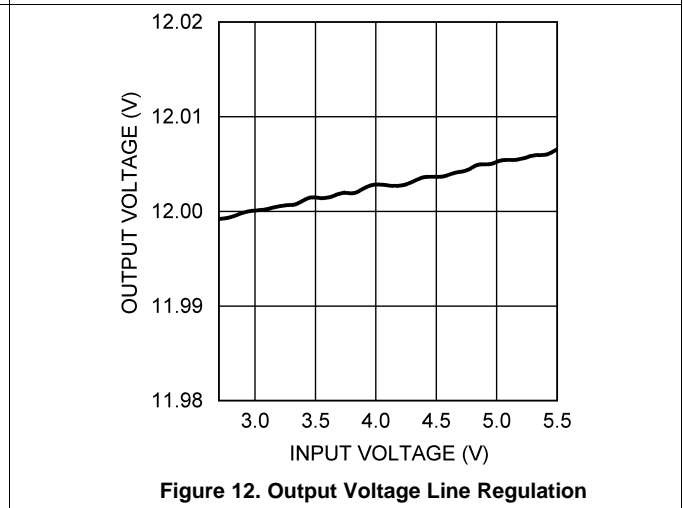
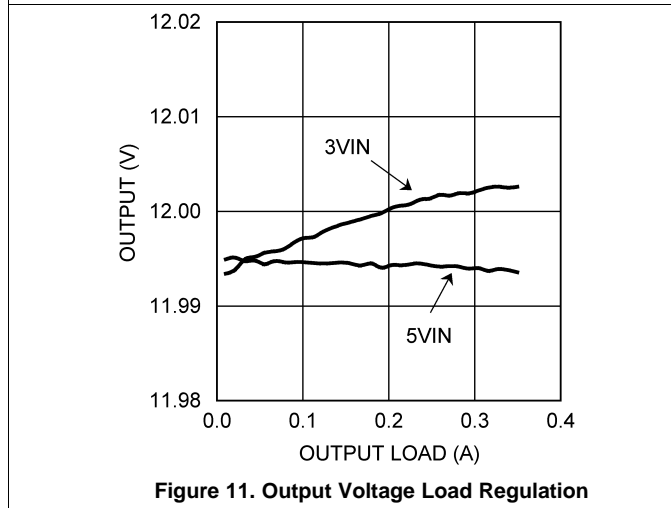
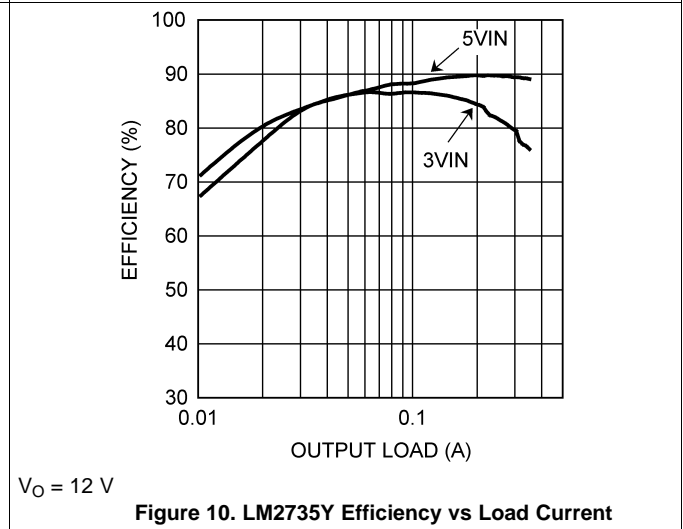
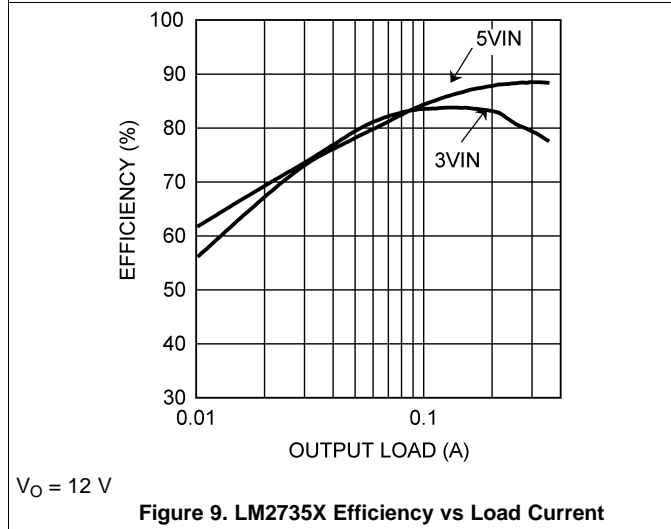
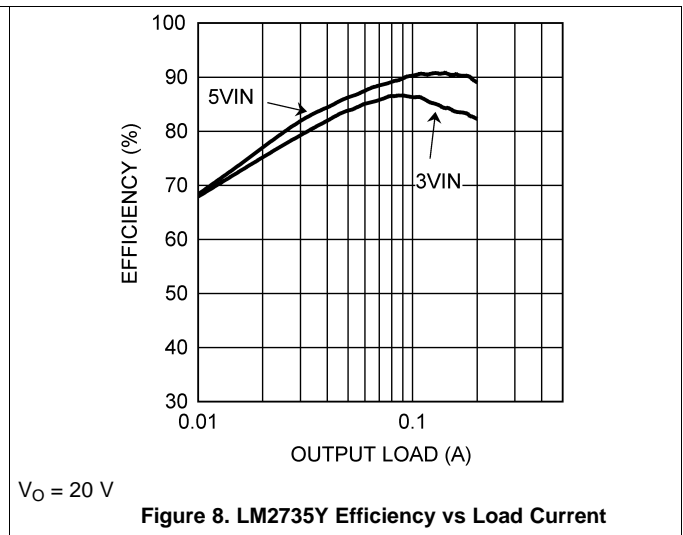
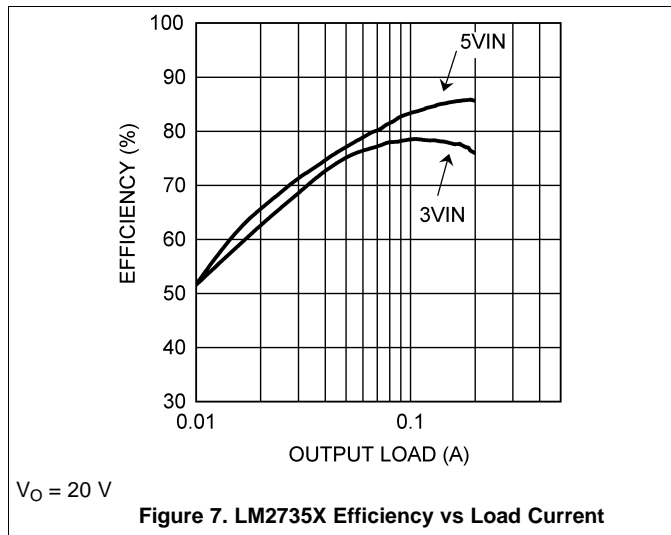


Figure 6.  $R_{DS(on)}$  vs Temperature

Typical Characteristics (continued)





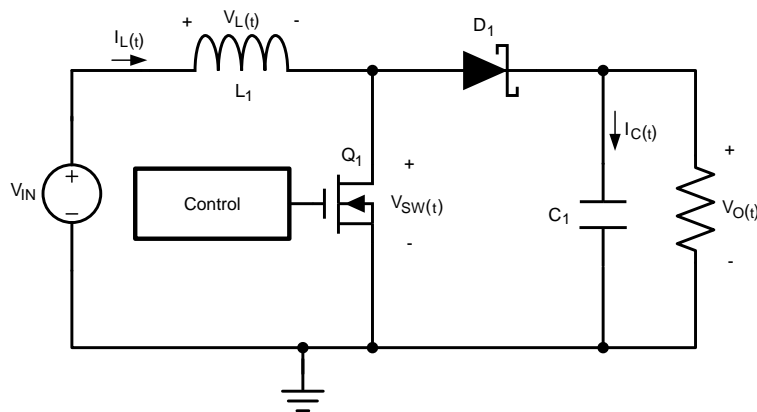
## 7 Detailed Description

### 7.1 Overview

The LM2735 device is highly efficient and easy-to-use switching regulator for boost and SEPIC applications. The device provides regulated DC output with fast transient response. Device architecture (current mode control) and internal compensation enable solutions with minimum number of external components. Additionally high switching frequency allows for use of small external passive components (chip capacitors, SMD inductors) and enables power solutions with very small PCB area. LM2735 also provides features such as soft start, pulse-by-pulse current-limit, and thermal shutdown.

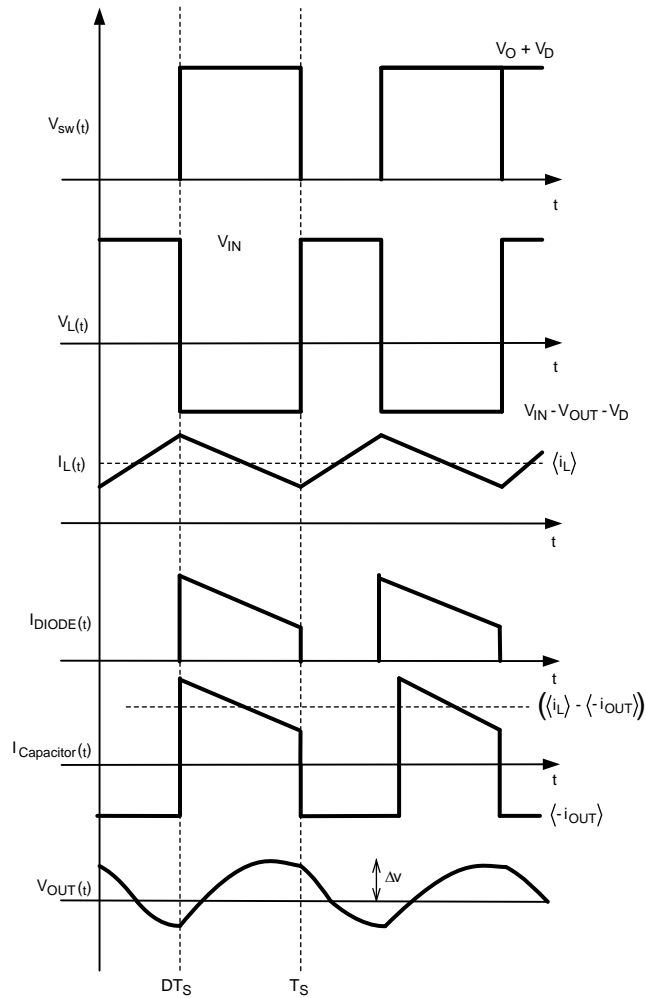
#### 7.1.1 Theory of Operation

The LM2735 is a constant-frequency PWM boost regulator IC that delivers a minimum of 2.1 A peak switch current. The regulator has a preset switching frequency of either 520 kHz or 1.6 MHz. This high frequency allows the device to operate with small surface mount capacitors and inductors, resulting in a DC-DC converter that requires a minimum amount of board space. The LM2735 is internally compensated, so it is simple to use, and requires few external components. The device uses current-mode control to regulate the output voltage. The following operating description of the LM2735 will refer to the simplified internal block diagram ([Functional Block Diagram](#)), the simplified schematic ([Figure 13](#)), and its associated waveforms ([Figure 14](#)). The LM2735 supplies a regulated output voltage by switching the internal NMOS control switch at constant frequency and variable duty cycle. A switching cycle begins at the falling edge of the reset pulse generated by the internal oscillator. When this pulse goes low, the output control logic turns on the internal NMOS control switch. During this on-time, the SW pin voltage ( $V_{SW}$ ) decreases to approximately GND, and the inductor current ( $I_L$ ) increases with a linear slope.  $I_L$  is measured by the current sense amplifier, which generates an output proportional to the switch current. The sensed signal is summed with the corrective ramp of the regulator and compared to the error amplifier's output, which is proportional to the difference between the feedback voltage and  $V_{REF}$ . When the PWM comparator output goes high, the output switch turns off until the next switching cycle begins. During the switch off-time, inductor current discharges through diode D1, which forces the SW pin to swing to the output voltage plus the forward voltage ( $V_D$ ) of the diode. The regulator loop adjusts the duty cycle (D) to maintain a constant output voltage .



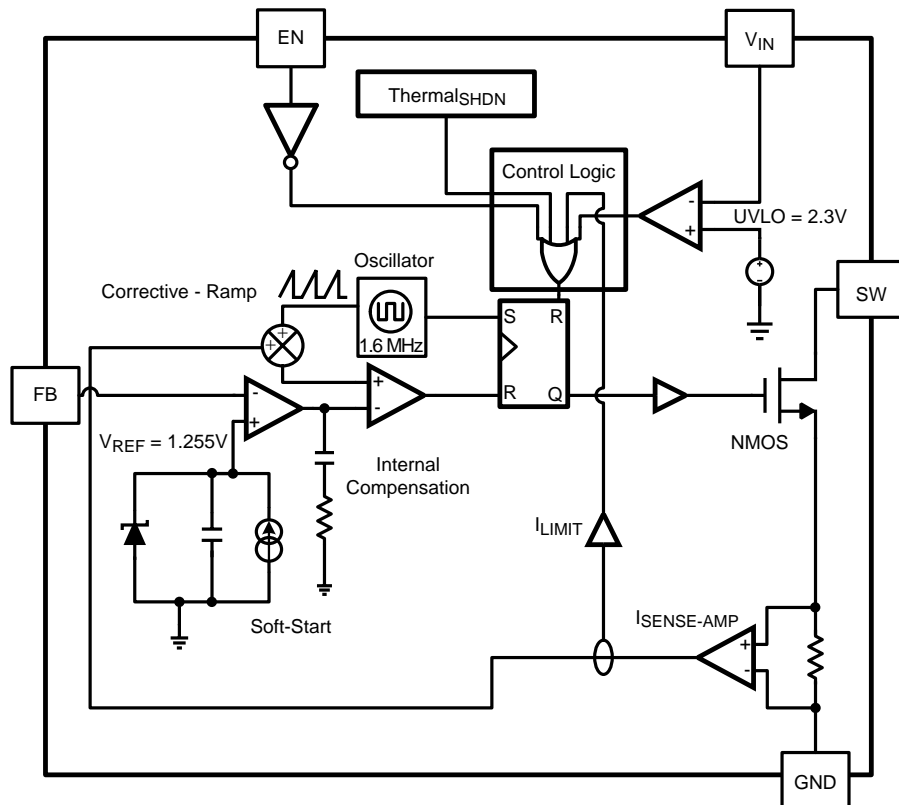
**Figure 13. Simplified Schematic**

**Overview (continued)**



**Figure 14. Typical Waveforms**

## 7.2 Functional Block Diagram



## 7.3 Feature Description

### 7.3.1 Current Limit

The LM2735 uses cycle-by-cycle current limiting to protect the internal NMOS switch. It is important to note that this current limit will not protect the output from excessive current during an output short circuit. The input supply is connected to the output by the series connection of an inductor and a diode. If a short circuit is placed on the output, excessive current can damage both the inductor and diode.

### 7.3.2 Thermal Shutdown

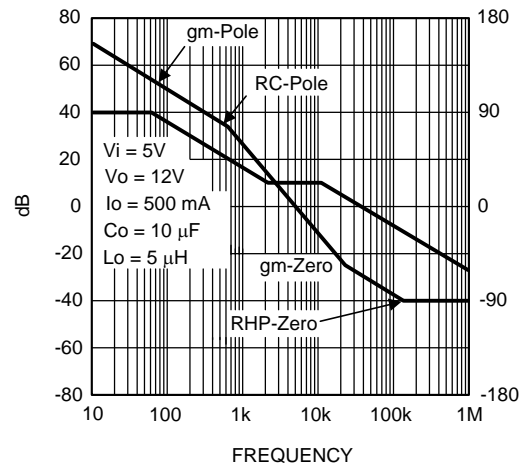
Thermal shutdown limits total power dissipation by turning off the output switch when the IC junction temperature exceeds 160°C. After thermal shutdown occurs, the output switch does not turn on until the junction temperature drops to approximately 150°C.

### 7.3.3 Soft Start

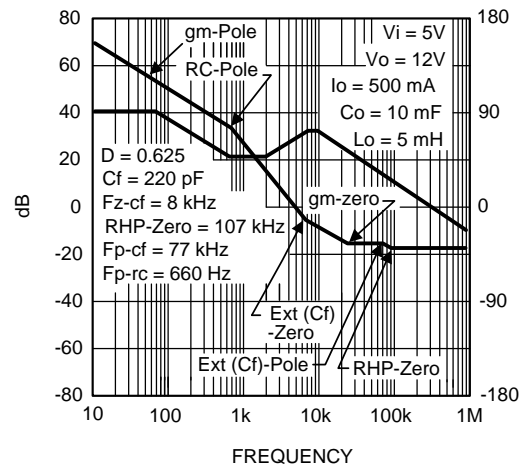
This function forces  $V_{OUT}$  to increase at a controlled rate during start-up. During soft start, the error amplifier's reference voltage ramps to its nominal value of 1.255 V in approximately 4 ms. This forces the regulator output to ramp up in a more linear and controlled fashion, which helps reduce inrush current.

### 7.3.4 Compensation

The LM2735 uses constant-frequency peak current mode control. This mode of control allows for a simple external compensation scheme that can be optimized for each application. A complicated mathematical analysis can be completed to fully explain the internal and external compensation of the LM2735, but for simplicity, a graphical approach with simple equations will be used. Below is a Gain and Phase plot of a LM2735 that produces a 12-V output from a 5-V input voltage. The Bode plot shows the total loop Gain and Phase without external compensation.

**Feature Description (continued)**

**Figure 15. LM2735 Without External Compensation**

One can see that the crossover frequency is fine, but the phase margin at 0 dB is very low (22°). A zero can be placed just above the crossover frequency so that the phase margin will be bumped up to a minimum of 45°. Below is the same application with a zero added at 8 kHz.


**Figure 16. LM2735 With External Compensation**

The simplest method to determine the compensation component value is as follows.

Set the output voltage with the following equation.

$$R_2 = \left( \frac{V_{OUT}}{V_{REF}} - 1 \right) \times R_1$$

where

- R1 is the bottom resistor and R2 is the resistor tied to the output voltage. (1)

The next step is to calculate the value of C3. The internal compensation has been designed so that when a zero is added from 5 kHz to 10 kHz, the converter will have good transient response with plenty of phase margin for all input and output voltage combinations.

$$F_{ZERO-CF} = \frac{1}{2\pi(R_2 \times C_f)} = 5 \text{ kHz} \rightarrow 10 \text{ kHz} \quad (2)$$

## Feature Description (continued)

Lower output voltages will have the zero set closer to 10 kHz, and higher output voltages will usually have the zero set closer to 5 kHz. TI recommends obtaining a Gain and Phase plot for your actual application. See [Application and Implementation](#) to obtain examples of working applications and the associated component values.

Pole at origin due to internal GM amplifier:

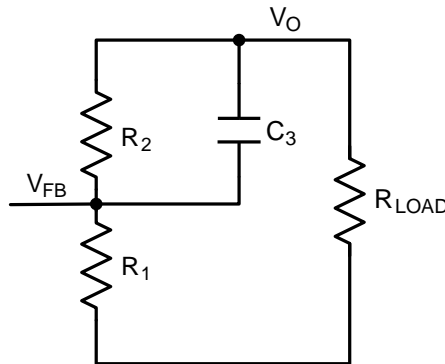
$$F_{P-ORIGIN} \tag{3}$$

Pole due to output load and capacitor:

$$F_{P-RC} = \frac{1}{2\pi(R_{LOAD}C_{OUT})} \tag{4}$$

This equation only determines the frequency of the pole for perfect current mode control (CMC). That is, it doesn't take into account the additional internal artificial ramp that is added to the current signal for stability reasons. By adding artificial ramp, you begin to move away from CMC to voltage mode control (VMC). The artifact is that the pole due to the output load and output capacitor will actually be slightly higher in frequency than calculated. In this example, it is calculated at 650 Hz, but in reality, it is around 1 kHz.

The zero created with capacitor C3 & resistor R2:



**Figure 17. Setting External Pole-Zero**

$$F_{ZERO-CF} = \frac{1}{2\pi(R_2 \times C_3)} \tag{5}$$

There is an associated pole with the zero that was created in the above equation.

$$F_{POLE-CF} = \frac{1}{2\pi((R_1 || R_2) \times C_3)} \tag{6}$$

It is always higher in frequency than the zero.

A right-half plane zero (RHPZ) is inherent to all boost converters. One must remember that the gain associated with a right-half plane zero increases at 20 dB per decade, but the phase decreases by 45° per decade. For most applications there is little concern with the RHPZ due to the fact that the frequency at which it shows up is well beyond crossover, and has little to no effect on loop stability. One must be concerned with this condition for large inductor values and high output currents.

$$RHP_{ZERO} = \frac{(D)^2 R_{LOAD}}{2\pi \times L} \tag{7}$$

There are miscellaneous poles and zeros associated with parasitics internal to the LM2735, external components, and the PCB. They are located well over the crossover frequency, and for simplicity are not discussed.

## 7.4 Device Functional Modes

### 7.4.1 Enable Pin and Shutdown Mode

The LM2735 has a shutdown mode that is controlled by the Enable pin (EN). When a logic low voltage is applied to EN, the part is in shutdown mode and its quiescent current drops to typically 80 nA. Switch leakage adds up to another 1  $\mu$ A from the input supply. The voltage at this pin should never exceed  $V_{IN} + 0.3$  V.

## 8 Application and Implementation

### NOTE

Information in the following applications sections is not part of the TI component specification, and TI does not warrant its accuracy or completeness. TI's customers are responsible for determining suitability of components for their purposes. Customers should validate and test their design implementation to confirm system functionality.

### 8.1 Application Information

The device will operate with input voltage in the range of 2.7 V to 5.5 V and provide regulated output voltage. This device is optimized for high-efficiency operation with minimum number of external components. For component selection, see [Detailed Design Procedure](#).

### 8.2 Typical Applications

#### 8.2.1 LM2735X SOT-23 Design Example 1

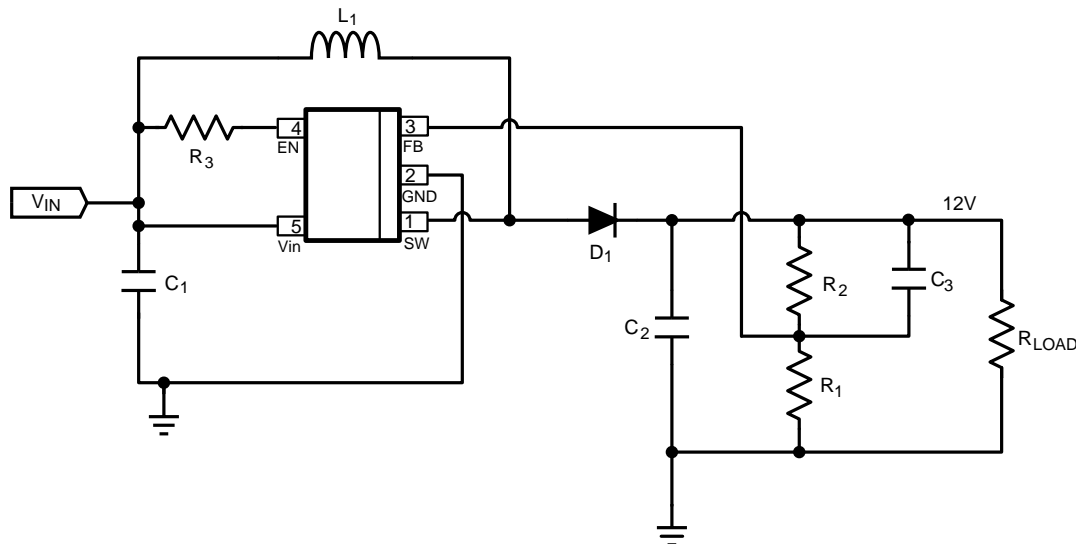


Figure 18. LM2735X (1.6 MHz):  $V_{IN} = 5$  V,  $V_{OUT} = 12$  V @ 350 mA

#### 8.2.1.1 Design Requirements

The device must be able to operate at any voltage within input voltage range.

The load current needs to be defined in order to properly size the inductor, input capacitor, and output capacitor. The inductor must be able to handle full expected load current as well as the peak current generated during load transients and start-up. The inrush current at startup will depend on the output capacitor selection. More details are provided in [Detailed Design Procedure](#).

The device has an enable pin (EN) that is used to enable and disable the device. This pin is active high and care should be taken that voltage on this pin does not exceed  $V_{IN} + 0.3$  V.

## Typical Applications (continued)

### 8.2.1.2 Detailed Design Procedure

**Table 1. Bill of Materials**

| PART ID             | PART VALUE   | MANUFACTURER | PART NUMBER    |
|---------------------|--|--------------|----------------|
| U1                  | 2.1-A Boost Regulator                                | TI           | LM2735XMF      |
| C1, Input Capacitor | 22 $\mu$ F, 6.3 V, X5R                               | TDK          | C2012X5R0J226M |
| C2 Output Capacitor | 10 $\mu$ F, 25 V, X5R                                | TDK          | C3216X5R1E106M |
| C3 Comp Capacitor   | 330 pF   | TDK          | C1608X5R1H331K |
| D1, Catch Diode     | 0.4 V <sub>f</sub> , Schottky 1 A, 20 V <sub>R</sub> | ST           | STPS120M       |
| L1                  | 15 $\mu$ H 1.5 A                                     | Coilcraft    | MSS5131-153ML  |
| R1                  | 10.2 k $\Omega$ , 1%                                 | Vishay       | CRCW06031022F  |
| R2                  | 86.6 k $\Omega$ , 1%                                 | Vishay       | CRCW06038662F  |
| R3                  | 100 k $\Omega$ , 1%                                  | Vishay       | CRCW06031003F  |

#### 8.2.1.2.1 Inductor Selection

The duty cycle (D) can be approximated quickly using the ratio of output voltage ( $V_O$ ) to input voltage ( $V_{IN}$ ):

$$\frac{V_{OUT}}{V_{IN}} = \left( \frac{1}{1-D} \right) = \frac{1}{D} \quad (8)$$

Therefore:

$$D = \frac{V_{OUT} - V_{IN}}{V_{OUT}} \quad (9)$$

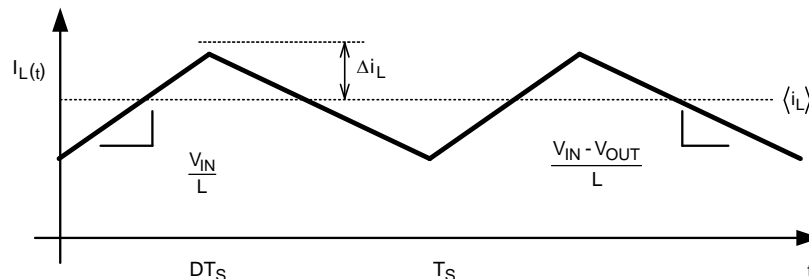
Power losses due to the diode (D1) forward voltage drop, the voltage drop across the internal NMOS switch, the voltage drop across the inductor resistance ( $R_{DCR}$ ), and switching losses must be included to calculate a more accurate duty cycle (see [Calculating Efficiency, and Junction Temperature](#) for a detailed explanation). A more accurate formula for calculating the conversion ratio is:

$$\frac{V_{OUT}}{V_{IN}} = \frac{\eta}{D}$$

where

- $\eta$  equals the efficiency of the LM2735 application. (10)

The inductor value determines the input ripple current. Lower inductor values decrease the size of the inductor, but increase the input ripple current. An increase in the inductor value will decrease the input ripple current.


**Figure 19. Inductor Current**

$$\frac{2\Delta i_L}{DT_S} = \left( \frac{V_{IN}}{L} \right)$$

$$\Delta i_L = \left( \frac{V_{IN}}{2L} \right) \times DT_S \quad (11)$$

A good design practice is to design the inductor to produce 10% to 30% ripple of maximum load. From the previous equations, the inductor value is then obtained.

$$L = \left( \frac{V_{IN}}{2 \times \Delta i_L} \right) \times DT_S$$

where

- $1/T_S = F_{SW}$  = switching frequency (12)

Ensure that the minimum current limit (2.1 A) is not exceeded, so the peak current in the inductor must be calculated. The peak current ( $I_{L_{PK}}$ ) in the inductor is calculated by:

$$I_{L_{pk}} = I_{IN} + \Delta I_L \quad (13)$$

or

$$I_{L_{pk}} = I_{OUT} / D' + \Delta I_L \quad (14)$$

When selecting an inductor, make sure that it is capable of supporting the peak input current without saturating. Inductor saturation will result in a sudden reduction in inductance and prevent the regulator from operating correctly. Because of the speed of the internal current limit, the peak current of the inductor need only be specified for the required maximum input current. For example, if the designed maximum input current is 1.5 A and the peak current is 1.75 A, then the inductor should be specified with a saturation current limit of >1.75 A. There is no need to specify the saturation or peak current of the inductor at the 3-A typical switch current-limit.

Because of the operating frequency of the LM2735, ferrite based inductors are preferred to minimize core losses. This presents little restriction since the variety of ferrite-based inductors is huge. Lastly, inductors with lower series resistance (DCR) will provide better operating efficiency. For recommended inductors, see the following design examples.

#### 8.2.1.2.2 Input Capacitor

An input capacitor is necessary to ensure that  $V_{IN}$  does not drop excessively during switching transients. The primary specifications of the input capacitor are capacitance, voltage, RMS current rating, and ESL (Equivalent Series Inductance). The recommended input capacitance is 10  $\mu$ F to 44  $\mu$ F depending on the application. The capacitor manufacturer specifically states the input voltage rating. Make sure to check any recommended deratings and also verify if there is any significant change in capacitance at the operating input voltage and the operating temperature. The ESL of an input capacitor is usually determined by the effective cross sectional area of the current path. At the operating frequencies of the LM2735, certain capacitors may have an ESL so large that the resulting impedance ( $2\pi fL$ ) will be higher than that required to provide stable operation. As a result, surface mount capacitors are strongly recommended. Multilayer ceramic capacitors (MLCC) are good choices for both input and output capacitors and have very low ESL. For MLCCs, TI recommends using X7R or X5R dielectrics. Consult capacitor manufacturer datasheet to see how rated capacitance varies over operating conditions.

#### 8.2.1.2.3 Output Capacitor

The LM2735 operates at frequencies allowing the use of ceramic output capacitors without compromising transient response. Ceramic capacitors allow higher inductor ripple without significantly increasing output ripple. The output capacitor is selected based upon the desired output ripple and transient response. The initial current of a load transient is provided mainly by the output capacitor. The output impedance will therefore determine the maximum voltage perturbation. The output ripple of the converter is a function of the reactance of the capacitor and its equivalent series resistance (ESR):



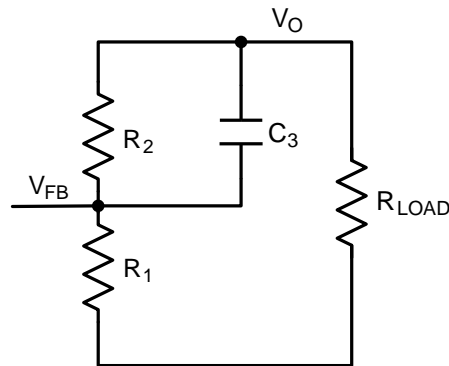
$$\Delta V_{OUT} = \Delta I_L \times R_{ESR} + \left( \frac{V_{OUT} \times D}{2 \times F_{SW} \times R_{Load} \times C_{OUT}} \right) \quad (15)$$

When using MLCCs, the ESR is typically so low that the capacitive ripple may dominate. When this occurs, the output ripple will be approximately sinusoidal and 90° phase shifted from the switching action.

Given the availability and quality of MLCCs and the expected output voltage of designs using the LM2735, there is really no need to review any other capacitor technologies. Another benefit of ceramic capacitors is their ability to bypass high-frequency noise. A certain amount of switching edge noise will couple through parasitic capacitances in the inductor to the output. A ceramic capacitor will bypass this noise while a tantalum will not. Since the output capacitor is one of the two external components that control the stability of the regulator control loop, most applications will require a minimum at 4.7 μF of output capacitance. Like the input capacitor, recommended multilayer ceramic capacitors are X7R or X5R. Again, verify actual capacitance at the desired operating voltage and temperature.

#### 8.2.1.2.4 Setting the Output Voltage

The output voltage is set using the following equation where R1 is connected between the FB pin and GND, and R2 is connected between V<sub>OUT</sub> and the FB pin.

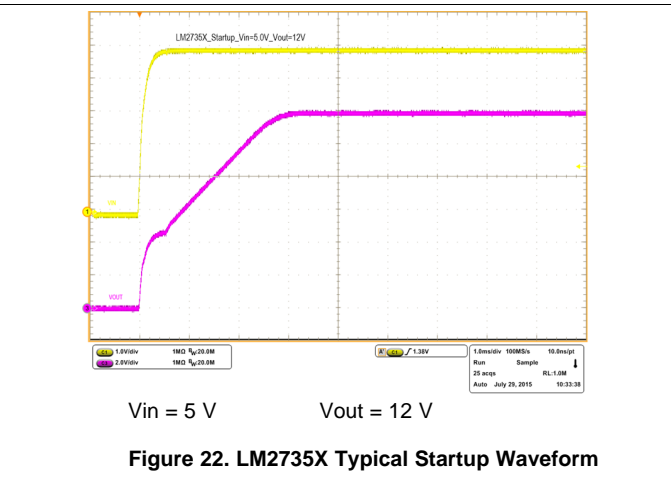
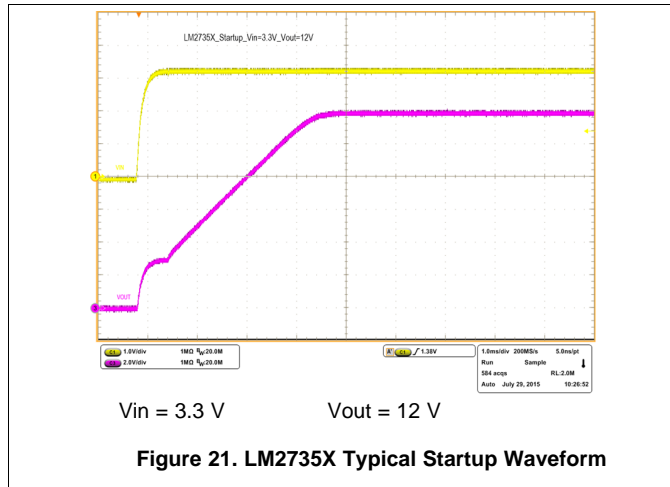


**Figure 20. Setting V<sub>out</sub>**

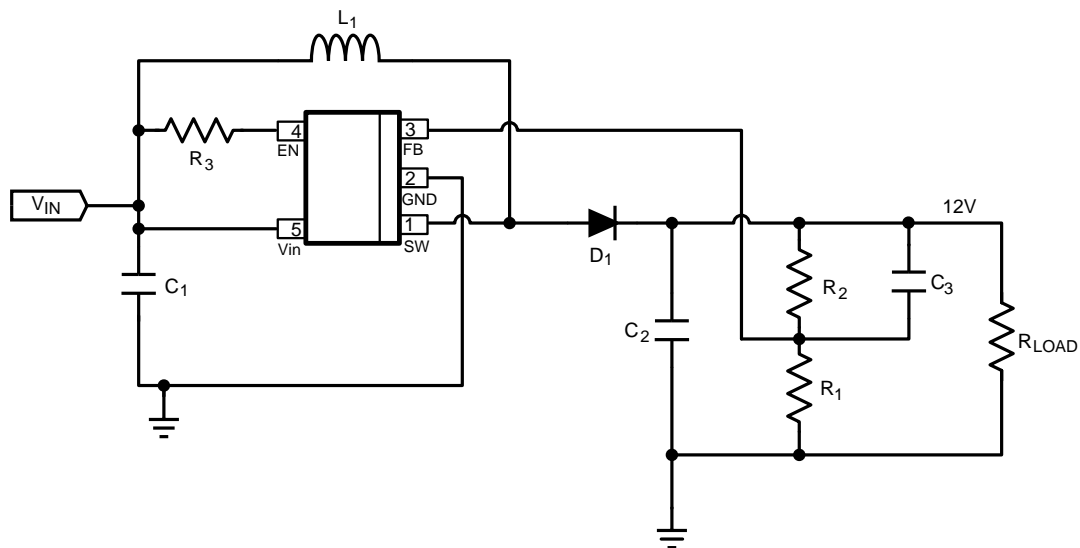
A good value for R1 is 10 kΩ.

$$R_2 = \left( \frac{V_{OUT}}{V_{REF}} - 1 \right) \times R_1 \quad (16)$$

### 8.2.1.3 Application Curves

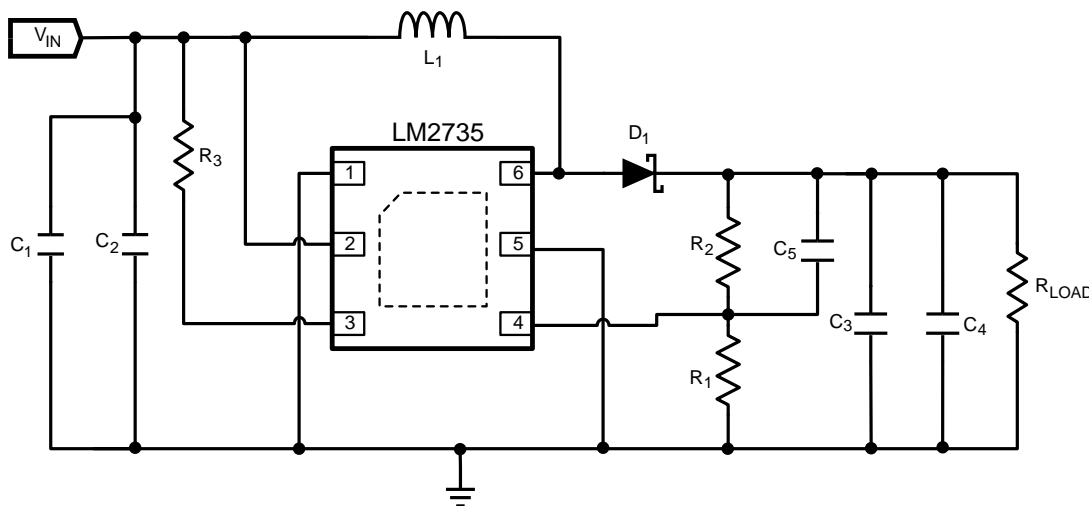


### 8.2.2 LM2735Y SOT-23 Design Example 2

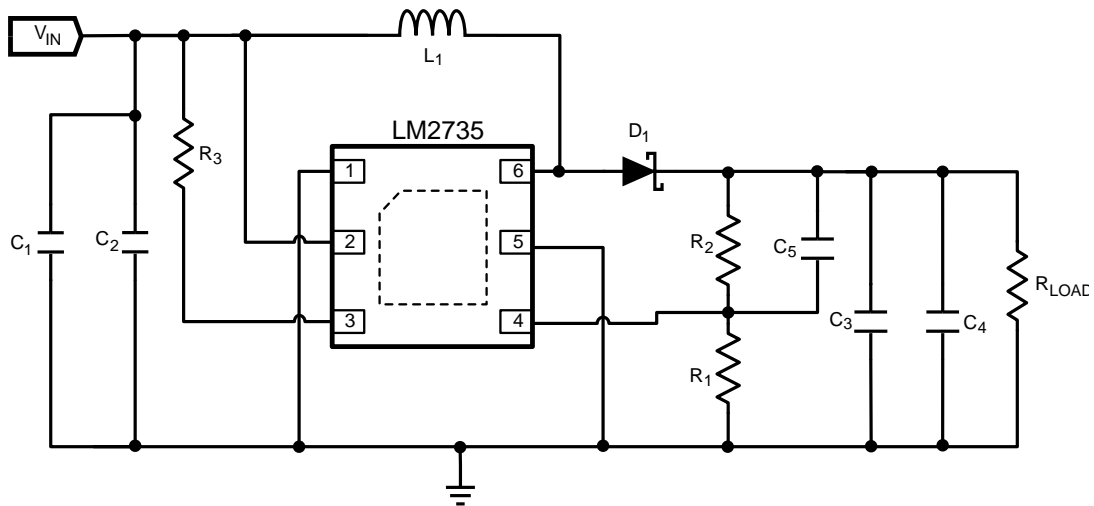


**Figure 23. LM2735Y (520 kHz):  $V_{IN} = 5\text{ V}$ ,  $V_{OUT} = 12\text{ V}$  at 350 mA**

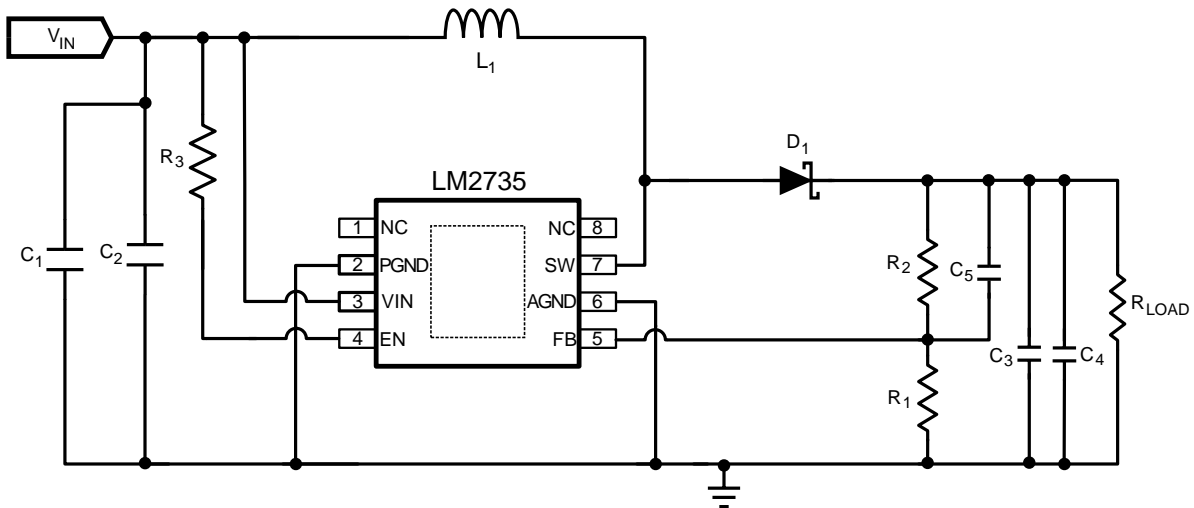
| PART ID             | PART VALUE                       | MANUFACTURER | PART NUMBER    |
|---------------------|----------------------------------|--------------|----------------|
| U1                  | 2.1-A Boost Regulator            | TI           | LM2735YMF      |
| C1, Input Capacitor | 22 $\mu\text{F}$ , 6.3 V, X5R    | TDK          | C2012X5R0J226M |
| C2 Output Capacitor | 10 $\mu\text{F}$ , 25 V, X5R     | TDK          | C3216X5R1E106M |
| C3 Comp Capacitor   | 330 pF                           | TDK          | C1608X5R1H331K |
| D1, Catch Diode     | 0.4 $V_f$ Schottky 1 A, 20 $V_R$ | ST           | STPS120M       |
| L1                  | 33 $\mu\text{H}$ 1.5 A           | Coilcraft    | DS3316P-333ML  |
| R1                  | 10.2 k $\Omega$ , 1%             | Vishay       | CRCW06031022F  |
| R2                  | 86.6 k $\Omega$ , 1%             | Vishay       | CRCW06038662F  |
| R3                  | 100 k $\Omega$ , 1%              | Vishay       | CRCW06031003F  |

**8.2.3 LM2735X WSON Design Example 3**

**Figure 24. LM2735X (1.6 MHz):  $V_{IN} = 3.3\text{ V}$ ,  $V_{OUT} = 12\text{ V}$  at 350 mA**

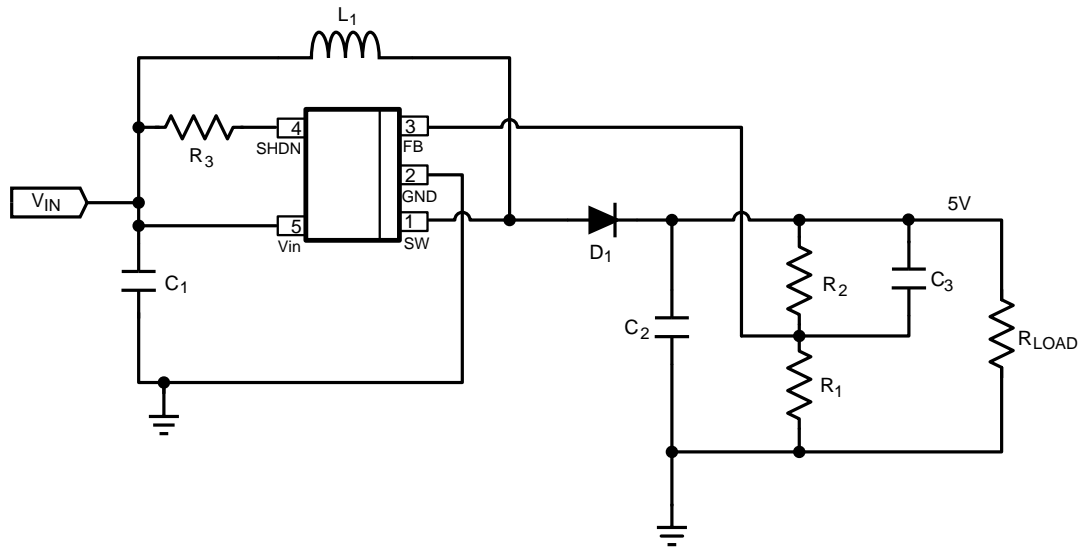
| PART ID             | PART VALUE                       | MANUFACTURER | PART NUMBER    |
|---------------------|----------------------------------|--------------|----------------|
| U1                  | 2.1-A Boost Regulator            | TI           | LM2735XSD      |
| C1 Input Capacitor  | 22 $\mu\text{F}$ , 6.3 V, X5R    | TDK          | C2012X5R0J226M |
| C2 Input Capacitor  | No Load                          |              |                |
| C3 Output Capacitor | 10 $\mu\text{F}$ , 25 V, X5R     | TDK          | C3216X5R1E106M |
| C4 Output Capacitor | No Load                          |              |                |
| C5 Comp Capacitor   | 330 pF                           | TDK          | C1608X5R1H331K |
| D1, Catch Diode     | 0.4 $V_f$ Schottky 1 A, 20 $V_R$ | ST           | STPS120M       |
| L1                  | 6.8 $\mu\text{H}$ 2 A            | Coilcraft    | DO1813H-682ML  |
| R1                  | 10.2 k $\Omega$ , 1%             | Vishay       | CRCW06031022F  |
| R2                  | 86.6 k $\Omega$ , 1%             | Vishay       | CRCW06038662F  |
| R3                  | 100 k $\Omega$ , 1%              | Vishay       | CRCW06031003F  |

**8.2.4 LM2735Y WSON Design Example 4**

**Figure 25. LM2735Y (520 kHz):  $V_{IN} = 3.3\text{ V}$ ,  $V_{OUT} = 12\text{ V}$  at 350 mA**

| PART ID             | PART VALUE                       | MANUFACTURER | PART NUMBER    |
|---------------------|----------------------------------|--------------|----------------|
| U1                  | 2.1-A Boost Regulator            | TI           | LM2735YSD      |
| C1 Input Capacitor  | 22 $\mu\text{F}$ , 6.3 V, X5R    | TDK          | C2012X5R0J226M |
| C2 Input Capacitor  | No Load                          |              |                |
| C3 Output Capacitor | 10 $\mu\text{F}$ , 25 V, X5R     | TDK          | C3216X5R1E106M |
| C4 Output Capacitor | No Load                          |              |                |
| C5 Comp Capacitor   | 330 pF                           | TDK          | C1608X5R1H331K |
| D1, Catch Diode     | 0.4 $V_f$ Schottky 1 A, 20 $V_R$ | ST           | STPS120M       |
| L1                  | 15 $\mu\text{H}$ 2 A             | Coilcraft    | MSS5131-153ML  |
| R1                  | 10.2 k $\Omega$ , 1%             | Vishay       | CRCW06031022F  |
| R2                  | 86.6 k $\Omega$ , 1%             | Vishay       | CRCW06038662F  |
| R3                  | 100 k $\Omega$ , 1%              | Vishay       | CRCW06031003F  |

**8.2.5 LM2735Y MSOP-PowerPAD Design Example 5**

**Figure 26. LM2735Y (520 kHz):  $V_{IN} = 3.3\text{ V}$ ,  $V_{OUT} = 12\text{ V}$  at 350 mA**

| PART ID             | PART VALUE                       | MANUFACTURER | PART NUMBER    |
|---------------------|----------------------------------|--------------|----------------|
| U1                  | 2.1-A Boost Regulator            | TI           | LM2735YMY      |
| C1 Input Capacitor  | 22 $\mu\text{F}$ , 6.3 V, X5R    | TDK          | C2012X5R0J226M |
| C2 Input Capacitor  | No Load                          |              |                |
| C3 Output Capacitor | 10 $\mu\text{F}$ , 25 V, X5R     | TDK          | C3216X5R1E106M |
| C4 Output Capacitor | No Load                          |              |                |
| C5 Comp Capacitor   | 330 pF                           | TDK          | C1608X5R1H331K |
| D1, Catch Diode     | 0.4 $V_f$ Schottky 1 A, 20 $V_R$ | ST           | STPS120M       |
| L1                  | 15 $\mu\text{H}$ 1.5 A           | Coilcraft    | MSS5131-153ML  |
| R1                  | 10.2 k $\Omega$ , 1%             | Vishay       | CRCW06031022F  |
| R2                  | 86.6 k $\Omega$ , 1%             | Vishay       | CRCW06038662F  |
| R3                  | 100 k $\Omega$ , 1%              | Vishay       | CRCW06031003F  |

**8.2.6 LM2735X SOT-23 Design Example 6**

**Figure 27. LM2735X (1.6 MHz):  $V_{IN} = 3\text{ V}$ ,  $V_{OUT} = 5\text{ V}$  at 500 mA**

| PART ID              | PART VALUE                       | MANUFACTURER | PART NUMBER    |
|----------------------|----------------------------------|--------------|----------------|
| U1                   | 2.1-A Boost Regulator            | TI           | LM2735XMF      |
| C1, Input Capacitor  | 10 $\mu\text{F}$ , 6.3 V, X5R    | TDK          | C2012X5R0J106K |
| C2, Output Capacitor | 10 $\mu\text{F}$ , 6.3 V, X5R    | TDK          | C2012X5R0J106K |
| C3 Comp Capacitor    | 1000 pF                          | TDK          | C1608X5R1H102K |
| D1, Catch Diode      | 0.4 $V_f$ Schottky 1 A, 20 $V_R$ | ST           | STPS120M       |
| L1                   | 10 $\mu\text{H}$ 1.2 A           | Coilcraft    | DO1608C-103ML  |
| R1                   | 10.0 k $\Omega$ , 1%             | Vishay       | CRCW08051002F  |
| R2                   | 30.1 k $\Omega$ , 1%             | Vishay       | CRCW08053012F  |
| R3                   | 100 k $\Omega$ , 1%              | Vishay       | CRCW06031003F  |

8.2.7 LM2735Y SOT-23 Design Example 7

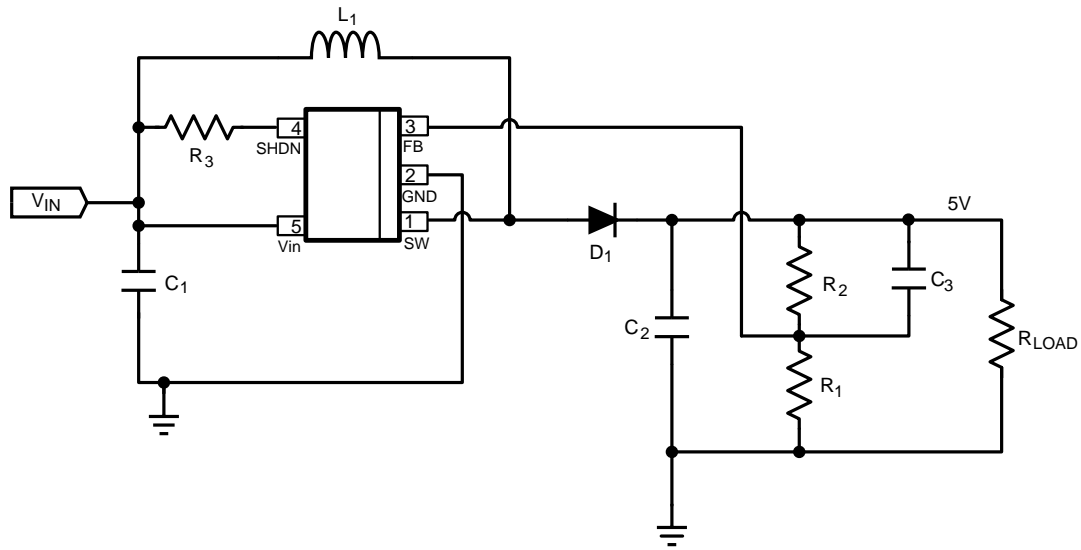
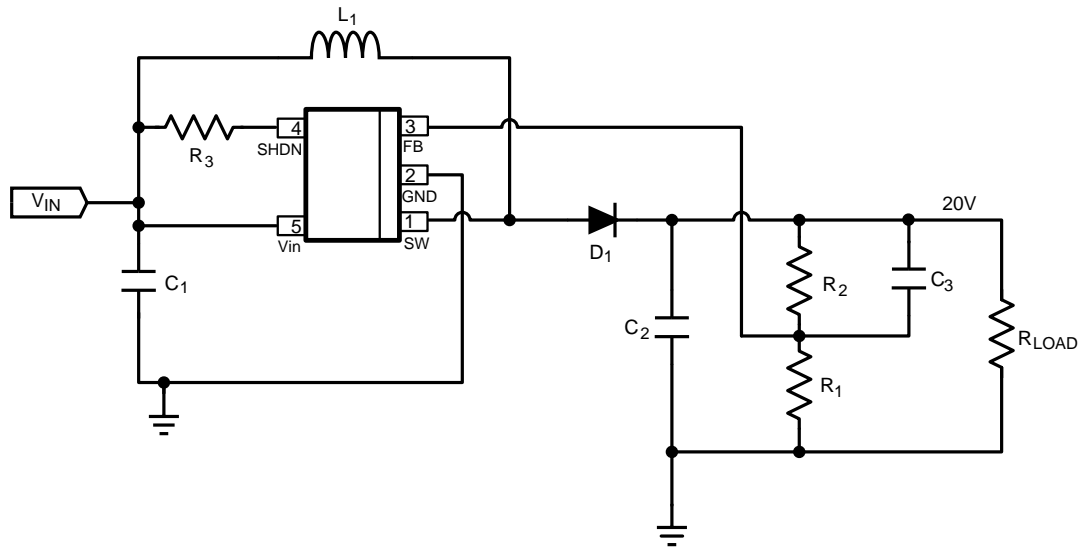


Figure 28. LM2735Y (520 kHz):  $V_{IN} = 3\text{ V}$ ,  $V_{OUT} = 5\text{ V}$  at 750 mA

| PART ID             | PART VALUE                       | MANUFACTURER | PART NUMBER    |
|---------------------|----------------------------------|--------------|----------------|
| U1                  | 2.1-A Boost Regulator            | TI           | LM2735YMF      |
| C1 Input Capacitor  | 22 $\mu\text{F}$ , 6.3 V, X5R    | TDK          | C2012X5R0J226M |
| C2 Output Capacitor | 22 $\mu\text{F}$ , 6.3 V, X5R    | TDK          | C2012X5R0J226M |
| C3 Comp Capacitor   | 1000 pF                          | TDK          | C1608X5R1H102K |
| D1, Catch Diode     | 0.4 $V_f$ Schottky 1 A, 20 $V_R$ | ST           | STPS120M       |
| L1                  | 22 $\mu\text{H}$ 1.2 A           | Coilcraft    | MSS5131-223ML  |
| R1                  | 10.0 k $\Omega$ , 1%             | Vishay       | CRCW08051002F  |
| R2                  | 30.1 k $\Omega$ , 1%             | Vishay       | CRCW08053012F  |
| R3                  | 100 k $\Omega$ , 1%              | Vishay       | CRCW06031003F  |

**8.2.8 LM2735X SOT-23 Design Example 8**

**Figure 29. LM2735X (1.6 MHz):  $V_{IN} = 3.3\text{ V}$ ,  $V_{out} = 20\text{ V}$  at 100 mA**

| PART ID              | PART VALUE                          | MANUFACTURER | PART NUMBER    |
|----------------------|-------------------------------------|--------------|----------------|
| U1                   | 2.1-A Boost Regulator               | TI           | LM2735XMF      |
| C1, Input Capacitor  | 22 $\mu\text{F}$ , 6.3 V, X5R       | TDK          | C2012X5R0J226M |
| C2, Output Capacitor | 4.7 $\mu\text{F}$ , 25 V, X5R       | TDK          | C3216X5R1E475K |
| C3 Comp Capacitor    | 470 pF                              | TDK          | C1608X5R1H471K |
| D1, Catch Diode      | 0.4 $V_f$ Schottky 500 mA, 30 $V_R$ | Vishay       | MBR0530        |
| L1                   | 10 $\mu\text{H}$ 1.2 A              | Coilcraft    | DO1608C-103ML  |
| R1                   | 10.0 k $\Omega$ , 1%                | Vishay       | CRCW06031002F  |
| R2                   | 150 k $\Omega$ , 1%                 | Vishay       | CRCW06031503F  |
| R3                   | 100 k $\Omega$ , 1%                 | Vishay       | CRCW06031003F  |



8.2.9 LM2735Y SOT-23 Design Example 9

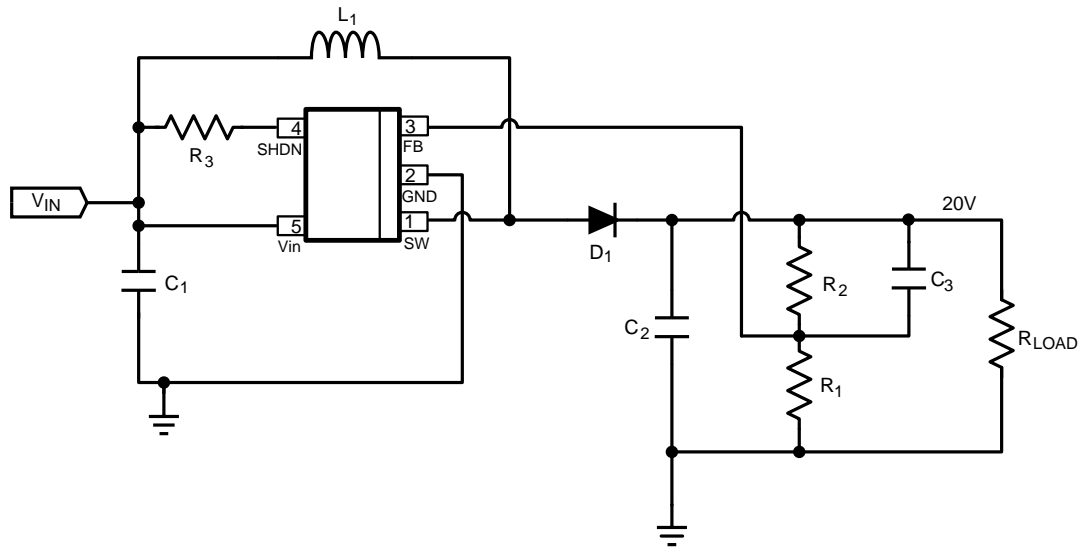
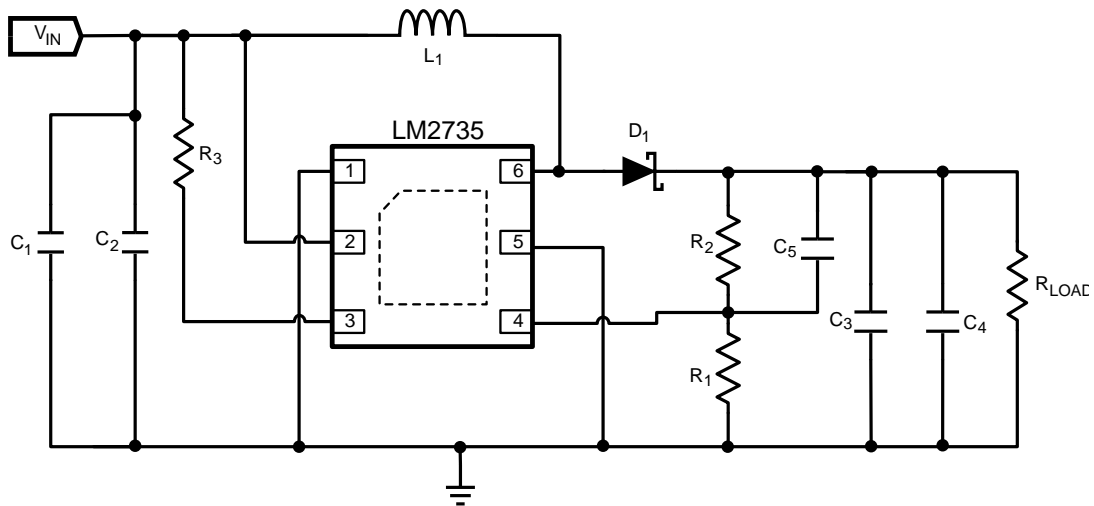


Figure 30. LM2735Y (520 kHz):  $V_{IN} = 3.3\text{ V}$ ,  $V_{OUT} = 20\text{ V}$  at 100 mA

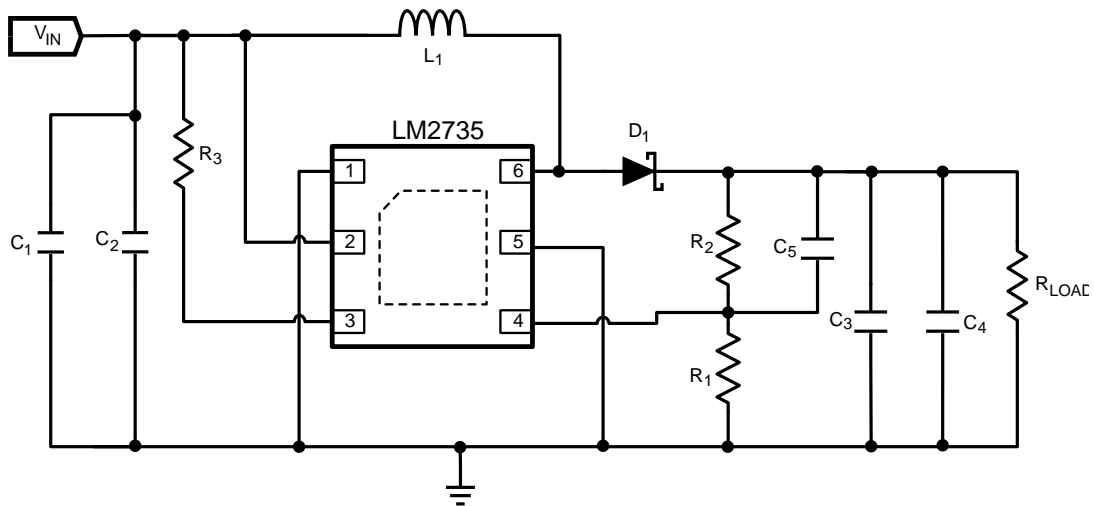
| PART ID             | PART VALUE                          | MANUFACTURER | PART NUMBER    |
|---------------------|-------------------------------------|--------------|----------------|
| U1                  | 2.1-A Boost Regulator               | TI           | LM2735YMF      |
| C1 Input Capacitor  | 22 $\mu\text{F}$ , 6.3 V, X5R       | TDK          | C2012X5R0J226M |
| C2 Output Capacitor | 10 $\mu\text{F}$ , 25 V, X5R        | TDK          | C3216X5R1E106M |
| C3 Comp Capacitor   | 470 pF                              | TDK          | C1608X5R1H471K |
| D1, Catch Diode     | 0.4 $V_f$ Schottky 500 mA, 30 $V_R$ | Vishay       | MBR0530        |
| L1                  | 33 $\mu\text{H}$ 1.5 A              | Coilcraft    | DS3316P-333ML  |
| R1                  | 10.0 k $\Omega$ , 1%                | Vishay       | CRCW06031002F  |
| R2                  | 150.0 k $\Omega$ , 1%               | Vishay       | CRCW06031503F  |
| R3                  | 100 k $\Omega$ , 1%                 | Vishay       | CRCW06031003F  |

**LM2735, LM2735-Q1**

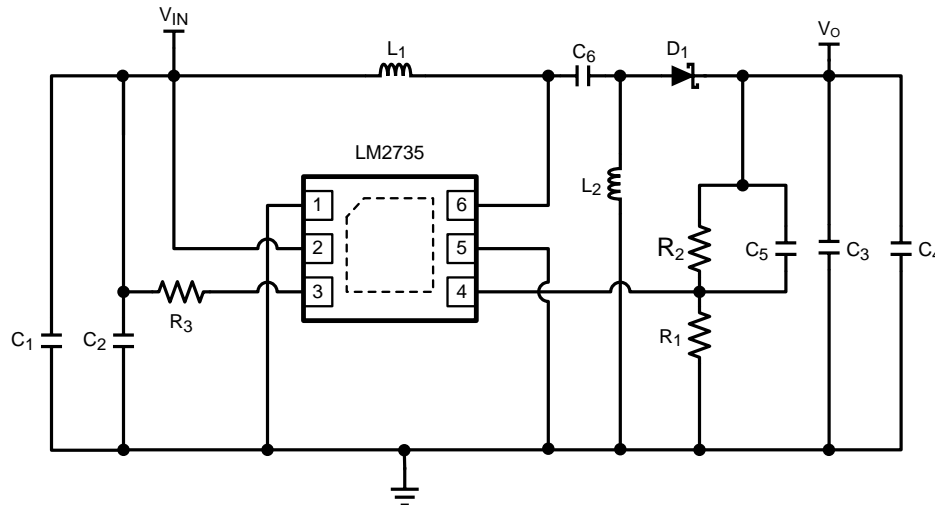
SNVS485H – JUNE 2007 – REVISED MARCH 2018

[www.ti.com](http://www.ti.com)
**8.2.10 LM2735X WSON Design Example 10**

**Figure 31. LM2735X (1.6 MHz):  $V_{IN} = 3.3\text{ V}$ ,  $V_{OUT} = 20\text{ V}$  at 150 mA**

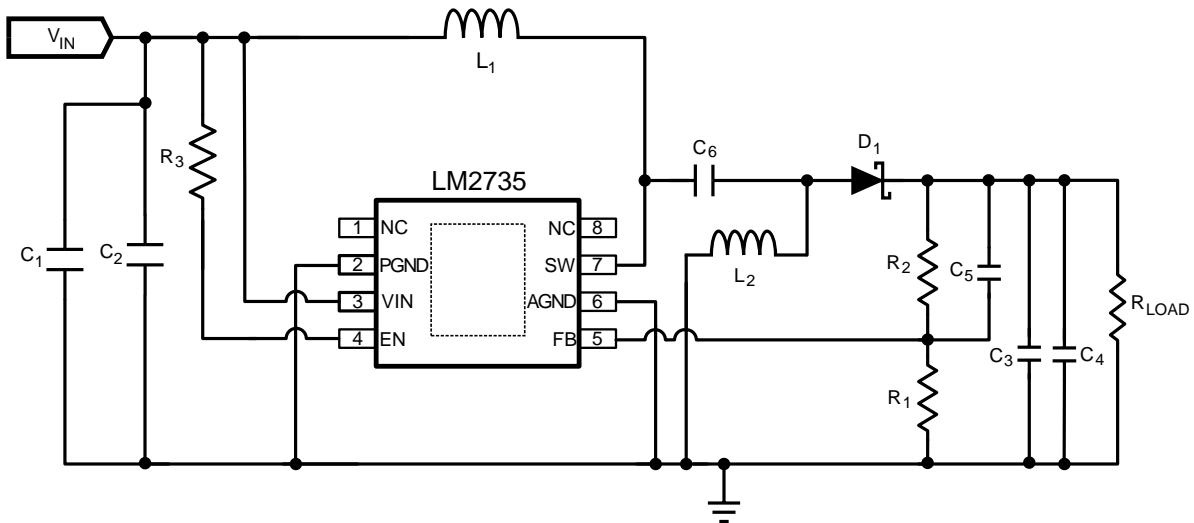
| PART ID             | PART VALUE                          | MANUFACTURER | PART NUMBER    |
|---------------------|-------------------------------------|--------------|----------------|
| U1                  | 2.1-A Boost Regulator               | TI           | LM2735XSD      |
| C1 Input Capacitor  | 22 $\mu\text{F}$ , 6.3 V, X5R       | TDK          | C2012X5R0J226M |
| C2 Input Capacitor  | 22 $\mu\text{F}$ , 6.3 V, X5R       | TDK          | C2012X5R0J226M |
| C3 Output Capacitor | 10 $\mu\text{F}$ , 25 V, X5R        | TDK          | C3216X5R1E106M |
| C4 Output Capacitor | No Load                             |              |                |
| C5 Comp Capacitor   | 470 pF                              | TDK          | C1608X5R1H471K |
| D1, Catch Diode     | 0.4 $V_f$ Schottky 500 mA, 30 $V_R$ | Vishay       | MBR0530        |
| L1                  | 8.2 $\mu\text{H}$ 2 A               | Coilcraft    | DO1813H-822ML  |
| R1                  | 10.0 k $\Omega$ , 1%                | Vishay       | CRCW06031002F  |
| R2                  | 150 k $\Omega$ , 1%                 | Vishay       | CRCW06031503F  |
| R3                  | 100 k $\Omega$ , 1%                 | Vishay       | CRCW06031003F  |

**8.2.11 LM2735Y WSON Design Example 11**

**Figure 32. LM2735Y (520 kHz):  $V_{IN} = 3.3\text{ V}$ ,  $V_{OUT} = 20\text{ V}$  at 150 mA**

| PART ID             | PART VALUE                          | MANUFACTURER | PART NUMBER    |
|---------------------|-------------------------------------|--------------|----------------|
| U1                  | 2.1-A Boost Regulator               | TI           | LM2735YSD      |
| C1 Input Capacitor  | 10 $\mu\text{F}$ , 6.3 V, X5R       | TDK          | C2012X5R0J106K |
| C2 Input Capacitor  | 10 $\mu\text{F}$ , 6.3 V, X5R       | TDK          | C2012X5R0J106K |
| C3 Output Capacitor | 10 $\mu\text{F}$ , 25 V, X5R        | TDK          | C3216X5R1E106M |
| C4 Output Capacitor | No Load                             |              |                |
| C5 Comp Capacitor   | 470 pF                              | TDK          | C1608X5R1H471K |
| D1, Catch Diode     | 0.4 $V_f$ Schottky 500 mA, 30 $V_R$ | Vishay       | MBR0530        |
| L1                  | 22 $\mu\text{H}$ 1.5 A              | Coilcraft    | DS3316P-223ML  |
| R1                  | 10.0 k $\Omega$ , 1%                | Vishay       | CRCW06031002F  |
| R2                  | 150 k $\Omega$ , 1%                 | Vishay       | CRCW06031503F  |
| R3                  | 100 k $\Omega$ , 1%                 | Vishay       | CRCW06031003F  |

**8.2.12 LM2735X WSON SEPIC Design Example 12**

**Figure 33. LM2735X (1.6 MHz):  $V_{IN} = 2.7\text{ V} - 5\text{ V}$ ,  $V_{OUT} = 3.3\text{ V}$  at 500 mA**

| PART ID             | PART VALUE                       | MANUFACTURER | PART NUMBER    |
|---------------------|----------------------------------|--------------|----------------|
| U1                  | 2.1-A Boost Regulator            | TI           | LM2735XSD      |
| C1 Input Capacitor  | 22 $\mu\text{F}$ , 6.3 V, X5R    | TDK          | C2012X5R0J226M |
| C2 Input Capacitor  | No Load                          |              |                |
| C3 Output Capacitor | 10 $\mu\text{F}$ , 25 V, X5R     | TDK          | C3216X5R1E106M |
| C4 Output Capacitor | No Load                          |              |                |
| C5 Comp Capacitor   | 2200 pF                          | TDK          | C1608X5R1H222K |
| C6                  | 2.2 $\mu\text{F}$ 16 V           | TDK          | C2012X5R1C225K |
| D1, Catch Diode     | 0.4 $V_f$ Schottky 1 A, 20 $V_R$ | ST           | STPS120M       |
| L1                  | 6.8 $\mu\text{H}$                | Coilcraft    | DO1608C-682ML  |
| L2                  | 6.8 $\mu\text{H}$                | Coilcraft    | DO1608C-682ML  |
| R1                  | 10.2 k $\Omega$ , 1%             | Vishay       | CRCW06031002F  |
| R2                  | 16.5 k $\Omega$ , 1%             | Vishay       | CRCW06031652F  |
| R3                  | 100 k $\Omega$ , 1%              | Vishay       | CRCW06031003F  |

**8.2.13 LM2735Y MSOP-PowerPAD SEPIC Design Example 13**

**Figure 34. LM2735Y (520 kHz):  $V_{IN} = 2.7\text{ V} - 5\text{ V}$ ,  $V_{OUT} = 3.3\text{ V}$  at 500 mA**

| PART ID             | PART VALUE   | MANUFACTURER | PART NUMBER    |
|---------------------|--|--------------|----------------|
| U1                  | 2.1-A Boost Regulator                              | TI           | LM2735YMY      |
| C1 Input Capacitor  | 22 $\mu\text{F}$ , 6.3 V, X5R                      | TDK          | C2012X5R0J226M |
| C2 Input Capacitor  | No Load  |              |                |
| C3 Output Capacitor | 10 $\mu\text{F}$ , 25 V, X5R                       | TDK          | C3216X5R1E106M |
| C4 Output Capacitor | No Load  |              |                |
| C5 Comp Capacitor   | 2200 pF  | TDK          | C1608X5R1H222K |
| C6                  | 2.2 $\mu\text{F}$ 16 V                             | TDK          | C2012X5R1C225K |
| D1, Catch Diode     | 0.4 V <sub>f</sub> Schottky 1 A, 20 V <sub>R</sub> | ST           | STPS120M       |
| L1                  | 15 $\mu\text{H}$ 1.5 A                             | Coilcraft    | MSS5131-153ML  |
| L2                  | 15 $\mu\text{H}$ 1.5 A                             | Coilcraft    | MSS5131-153ML  |
| R1                  | 10.2 k $\Omega$ , 1%                               | Vishay       | CRCW06031002F  |
| R2                  | 16.5 k $\Omega$ , 1%                               | Vishay       | CRCW06031652F  |
| R3                  | 100 k $\Omega$ , 1%                                | Vishay       | CRCW06031003F  |

8.2.14 LM2735X SOT-23 LED Design Example 14

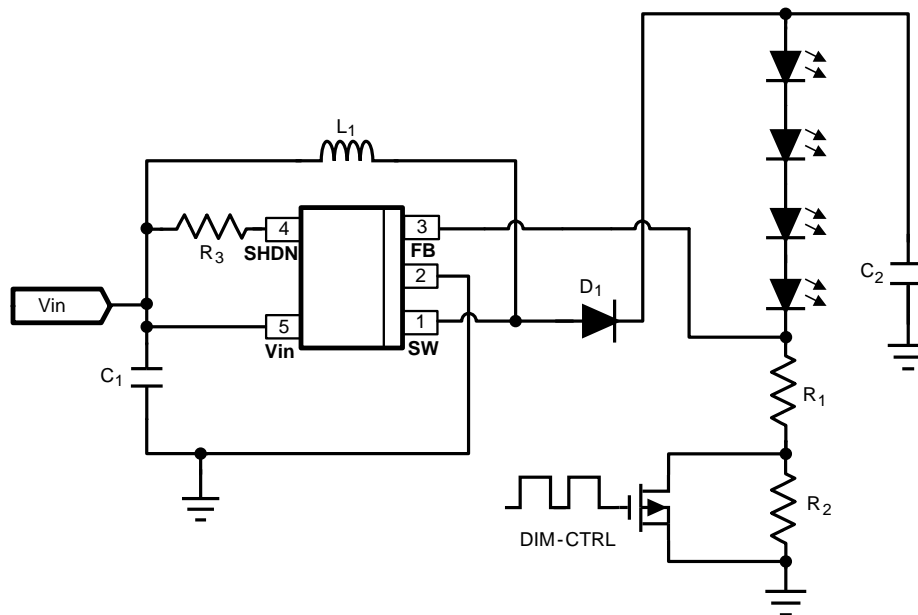
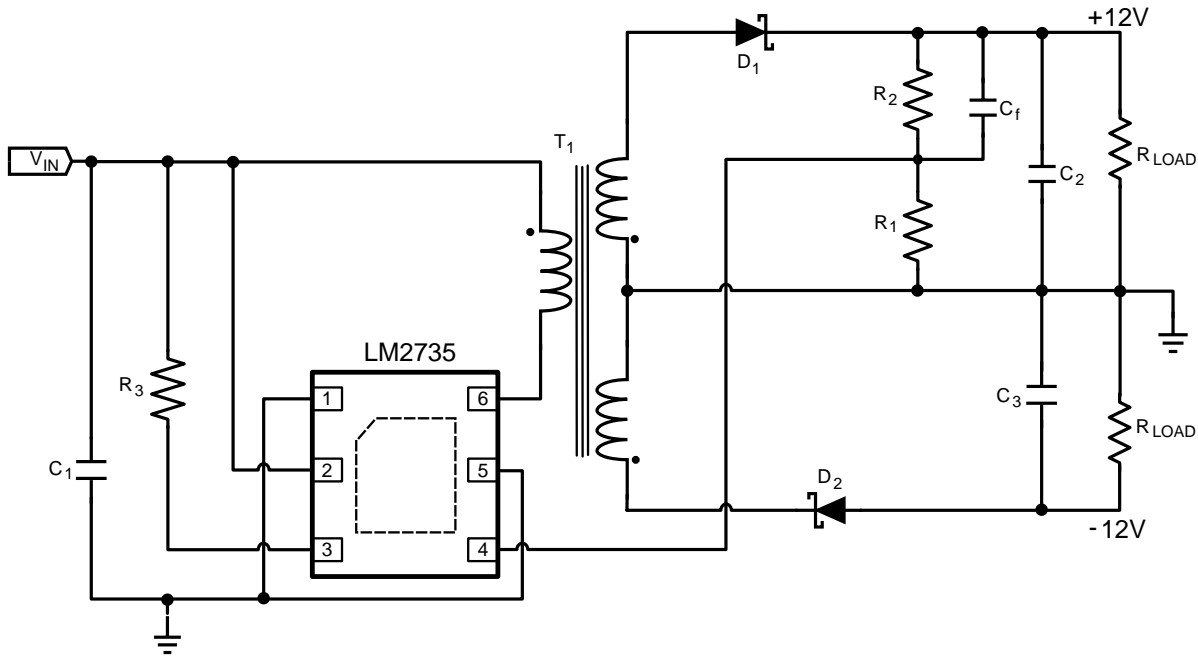


Figure 35. LM2735X (1.6 MHz):  $V_{IN} = 2.7\text{ V} - 5\text{ V}$ ,  $V_{OUT} = 20\text{ V}$  at 50 mA

| PART ID             | PART VALUE                          | MANUFACTURER | PART NUMBER    |
|---------------------|-------------------------------------|--------------|----------------|
| U1                  | 2.1-A Boost Regulator               | TI           | LM2735XMF      |
| C1 Input Capacitor  | 22 $\mu\text{F}$ , 6.3 V, X5R       | TDK          | C2012X5R0J226M |
| C2 Output Capacitor | 4.7 $\mu\text{F}$ , 25 V, X5R       | TDK          | C3216JB1E475K  |
| D1, Catch Diode     | 0.4 $V_f$ Schottky 500 mA, 30 $V_R$ | Vishay       | MBR0530        |
| L1                  | 15 $\mu\text{H}$ 1.5 A              | Coilcraft    | MSS5131-153ML  |
| R1                  | 25.5 $\Omega$ , 1%                  | Vishay       | CRCW080525R5F  |
| R2                  | 100 $\Omega$ , 1%                   | Vishay       | CRCW08051000F  |
| R3                  | 100 k $\Omega$ , 1%                 | Vishay       | CRCW06031003F  |

**8.2.15 LM2735Y WSON FlyBack Design Example 15**

**Figure 36. LM2735Y (520 kHz):  $V_{IN} = 5\text{ V}$ ,  $V_{OUT} = \pm 12\text{ V}$  150 mA**

| PART ID             | PART VALUE                          | MANUFACTURER | PART NUMBER    |
|---------------------|-------------------------------------|--------------|----------------|
| U1                  | 2.1-A Boost Regulator               | TI           | LM2735YSD      |
| C1 Input Capacitor  | 22 $\mu\text{F}$ , 6.3 V, X5R       | TDK          | C2012X5R0J226M |
| C2 Output Capacitor | 10 $\mu\text{F}$ , 25 V, X5R        | TDK          | C3216X5R1E106M |
| C3 Output Capacitor | 10 $\mu\text{F}$ , 25 V, X5R        | TDK          | C3216X5R1E106M |
| Cf Comp Capacitor   | 330 pF                              | TDK          | C1608X5R1H331K |
| D1, D2 Catch Diode  | 0.4 $V_f$ Schottky 500 mA, 30 $V_R$ | Vishay       | MBR0530        |
| T1                  |                                     |              |                |
| R1                  | 10.0 k $\Omega$ , 1%                | Vishay       | CRCW06031002F  |
| R2                  | 86.6 k $\Omega$ , 1%                | Vishay       | CRCW06038662F  |
| R3                  | 100 k $\Omega$ , 1%                 | Vishay       | CRCW06031003F  |

## LM2735, LM2735-Q1

SNVS485H – JUNE 2007 – REVISED MARCH 2018

www.ti.com

### 8.2.16 LM2735X SOT-23 LED Design Example 16 $V_{RAIL} > 5.5\text{ V}$ Application

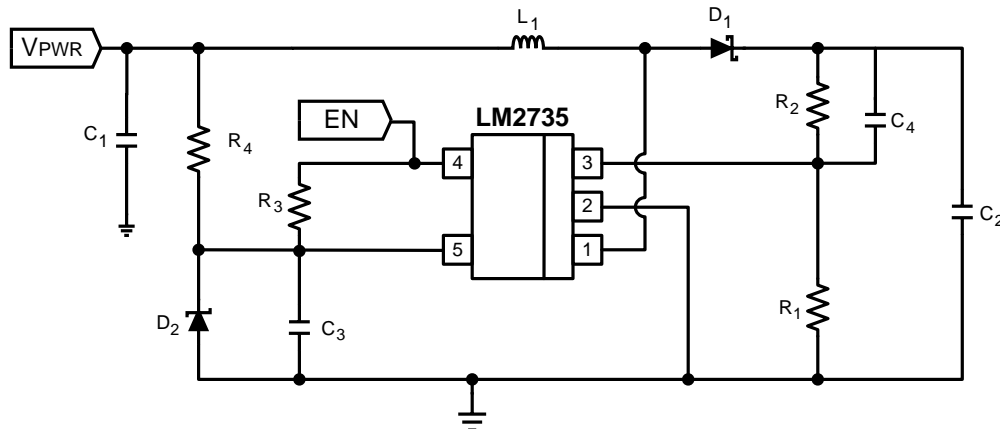


Figure 37. LM2735X (1.6 MHz):  $V_{PWR} = 9\text{ V}$ ,  $V_{OUT} = 12\text{ V}$  at 500 mA

| PART ID              | PART VALUE                       | MANUFACTURER | PART NUMBER    |
|----------------------|----------------------------------|--------------|----------------|
| U1                   | 2.1-A Boost Regulator            | TI           | LM2735XMF      |
| C1, Input Capacitor  | 10 $\mu\text{F}$ , 6.3 V, X5R    | TDK          | C2012X5R0J106K |
| C2, Output Capacitor | 10 $\mu\text{F}$ , 25 V, X5R     | TDK          | C3216X5R1E106M |
| C3 $V_{IN}$ Cap      | 0.1 $\mu\text{F}$ , 6.3 V, X5R   | TDK          | C2012X5R0J104K |
| C4 Comp Capacitor    | 1000 pF                          | TDK          | C1608X5R1H102K |
| D1, Catch Diode      | 0.4 $V_f$ Schottky 1 A, 20 $V_R$ | ST           | STPS120M       |
| D2                   | 3.3-V Zener, SOT-23              | Diodes Inc   | BZX84C3V3      |
| L1                   | 6.8 $\mu\text{H}$ 2 A            | Coilcraft    | DO1813H-682ML  |
| R1                   | 10.0 k $\Omega$ , 1%             | Vishay       | CRCW08051002F  |
| R2                   | 86.6 k $\Omega$ , 1%             | Vishay       | CRCW08058662F  |
| R3                   | 100 k $\Omega$ , 1%              | Vishay       | CRCW06031003F  |
| R4                   | 499 $\Omega$ , 1%                | Vishay       | CRCW06034991F  |



8.2.17 LM2735X SOT-23 LED Design Example 17 Two-Input Voltage Rail Application

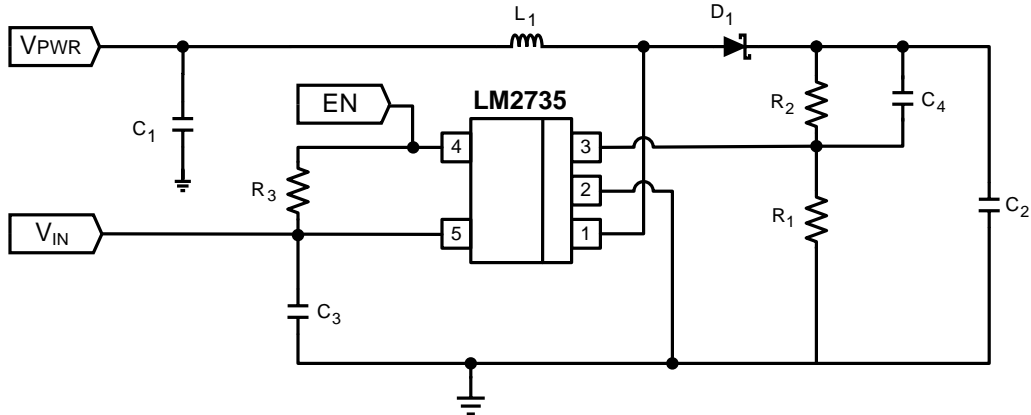
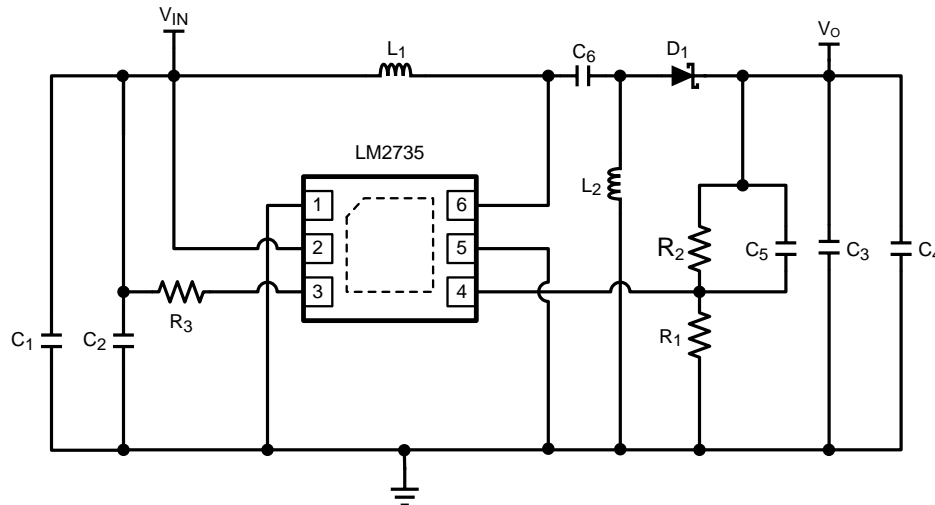


Figure 38. LM2735X (1.6 MHz):  $V_{PWR} = 9\text{ V}$  in = 2.7 V - 5.5 V,  $V_{OUT} = 12\text{ V}$  at 500 mA

| PART ID               | PART VALUE                       | MANUFACTURER | PART NUMBER    |
|-----------------------|----------------------------------|--------------|----------------|
| U1                    | 2.1-A Boost Regulator            | TI           | LM2735XMF      |
| C1, Input Capacitor   | 10 $\mu\text{F}$ , 6.3 V, X5R    | TDK          | C2012X5R0J106K |
| C2, Output Capacitor  | 10 $\mu\text{F}$ , 25 V, X5R     | TDK          | C3216X5R1E106M |
| C3 $V_{IN}$ Capacitor | 0.1 $\mu\text{F}$ , 6.3 V, X5R   | TDK          | C2012X5R0J104K |
| C4 Comp Capacitor     | 1000 pF                          | TDK          | C1608X5R1H102K |
| D1, Catch Diode       | 0.4 $V_f$ Schottky 1 A, 20 $V_R$ | ST           | STPS120M       |
| L1                    | 6.8 $\mu\text{H}$ 2 A            | Coilcraft    | DO1813H-682ML  |
| R1                    | 10.0 k $\Omega$ , 1%             | Vishay       | CRCW08051002F  |
| R2                    | 86.6 k $\Omega$ , 1%             | Vishay       | CRCW08058662F  |
| R3                    | 100 k $\Omega$ , 1%              | Vishay       | CRCW06031003F  |

## 8.2.18 SEPIC Converter



**Figure 39. SEPIC Converter Schematic**

### 8.2.18.1 Detailed Design Procedure

The LM2735 can easily be converted into a SEPIC converter. A SEPIC converter has the ability to regulate an output voltage that is either larger or smaller in magnitude than the input voltage. Other converters have this ability as well (CUK and Buck-Boost), but usually create an output voltage that is opposite in polarity to the input voltage. This topology is a perfect fit for Lithium Ion battery applications where the input voltage for a single-cell Li-Ion battery will vary from 3 V to 4.5 V and the output voltage is somewhere in-between. Most of the analysis of the LM2735 Boost Converter is applicable to the LM2735 SEPIC Converter.

#### 8.2.18.1.1 SEPIC Design Guide

SEPIC Conversion ratio without loss elements:

$$\frac{V_o}{V_{IN}} = \frac{D}{D'} \quad (17)$$

Therefore:

$$D = \frac{V_o}{V_o + V_{IN}} \quad (18)$$

#### 8.2.18.1.2 Small Ripple Approximation

In a well-designed SEPIC converter, the output voltage, input voltage ripple, and inductor ripple is small in comparison to the DC magnitude. Therefore, it is a safe approximation to assume a DC value for these components. The main objective of the Steady State Analysis is to determine the steady state duty-cycle, voltage and current stresses on all components, and proper values for all components.

In a steady-state converter, the net volt-seconds across an inductor after one cycle will equal zero. Also, the charge into a capacitor will equal the charge out of a capacitor in one cycle.

Therefore:

$$I_{L2} = \left( \frac{D}{D'} \right) \times I_{L1}$$

and

$$I_{L1} = \left( \frac{D}{D'} \right) \times \left( \frac{V_o}{R} \right) \quad (19)$$

Substituting  $I_{L1}$  into  $I_{L2}$

$$I_{L2} = \frac{V_O}{R} \tag{20}$$

The average inductor current of L2 is the average output load.

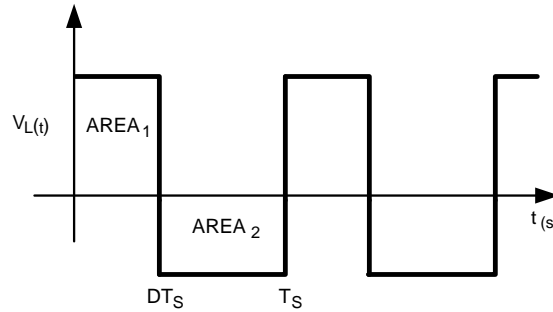


Figure 40. Inductor Volt-Sec Balance Waveform

Applying Charge balance on C1:

$$V_{C1} = \frac{D'(V_o)}{D} \tag{21}$$

Since there are no DC voltages across either inductor, and capacitor C6 is connected to  $V_{in}$  through L1 at one end, or to ground through L2 on the other end, we can say that

$$V_{C1} = V_{IN} \tag{22}$$

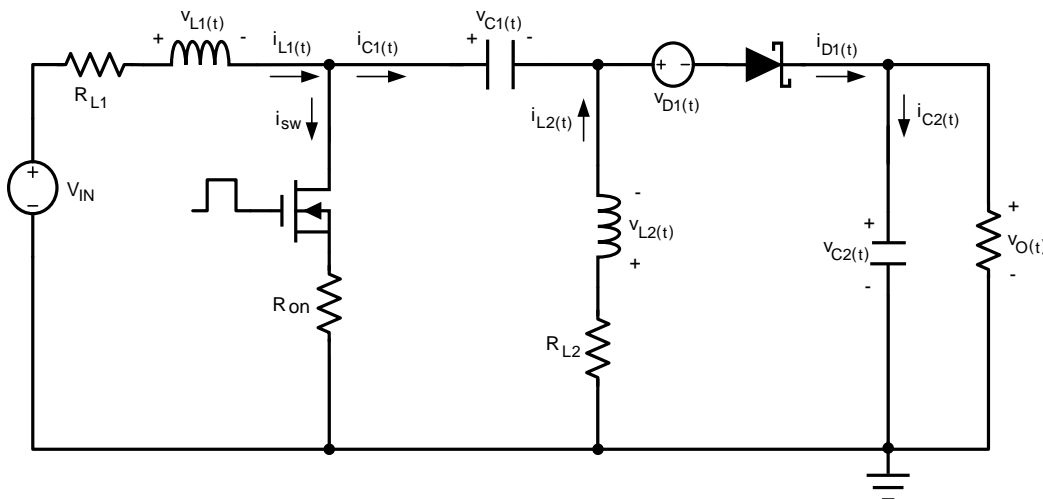
Therefore:

$$V_{IN} = \frac{D'(V_o)}{D} \tag{23}$$

This verifies the original conversion ratio equation.

It is important to remember that the internal switch current is equal to  $I_{L1}$  and  $I_{L2}$ . During the D interval. Design the converter so that the minimum specified peak switch current limit (2.1 A) is not exceeded.

### 8.2.18.1.3 Steady State Analysis With Loss Elements



Using inductor volt-second balance & capacitor charge balance, the following equations are derived:

$$I_{L2} = \left( \frac{V_O}{R} \right)$$

and

$$I_{L1} = \left( \frac{V_O}{R} \right) \times \left( \frac{D}{D'} \right) \tag{24}$$

$$\frac{V_O}{V_{IN}} = \left( \frac{D}{D'} \right) \left( \frac{1}{\left( 1 + \frac{V_D}{V_O} + \frac{R_{L2}}{R} \right) + \left( \frac{D}{D'^2} \right) \left( \frac{R_{ON}}{R} \right) + \left( \frac{D^2}{D'^2} \right) \left( \frac{R_{L1}}{R} \right)} \right) \tag{25}$$

Therefore:

$$\eta = \left( \frac{1}{\left( 1 + \frac{V_D}{V_O} + \frac{R_{L2}}{R} \right) + \left( \frac{D}{D'^2} \right) \left( \frac{R_{ON}}{R} \right) + \left( \frac{D^2}{D'^2} \right) \left( \frac{R_{L1}}{R} \right)} \right) \tag{26}$$

One can see that all variables are known except for the duty cycle (D). A quadratic equation is needed to solve for D. A less accurate method of determining the duty cycle is to assume efficiency, and calculate the duty cycle.

$$\frac{V_O}{V_{IN}} = \left( \frac{D}{1 - D} \right) \times \eta \tag{27}$$

$$D = \left( \frac{V_O}{(V_{IN} \times \eta) + V_O} \right) \tag{28}$$

|                 |        |                 |        |                 |        |
|-----------------|--------|-----------------|--------|-----------------|--------|
| V <sub>in</sub> | 2.7V   | V <sub>in</sub> | 3.3V   | V <sub>in</sub> | 5V     |
| V <sub>o</sub>  | 3.1V   | V <sub>o</sub>  | 3.1V   | V <sub>o</sub>  | 3.1V   |
| I <sub>in</sub> | 770 mA | I <sub>in</sub> | 600 mA | I <sub>in</sub> | 375 mA |
| I <sub>o</sub>  | 500 mA | I <sub>o</sub>  | 500 mA | I <sub>o</sub>  | 500 mA |
| η               | 75%    | η               | 80%    | η               | 83%    |

**Figure 41. Efficiencies for Typical SEPIC Application**

## 9 Power Supply Recommendations

The LM2735 device is designed to operate from an input voltage supply range from 2.7 V to 5.5 V. This input supply should be able to withstand the maximum input current and maintain a voltage above 2.7 V. In case where input supply is located farther away (more than a few inches) from the device, additional bulk capacitance may be required in addition to the ceramic bypass capacitors.

## 10 Layout

### 10.1 Layout Guidelines

When planning layout, there are a few things to consider when trying to achieve a clean, regulated output. The most important consideration when completing a boost converter layout is the close coupling of the GND connections of the  $C_{OUT}$  capacitor and the LM2735 PGND pin. The GND ends should be close to one another and be connected to the GND plane with at least two through-holes. There should be a continuous ground plane on the bottom layer of a two-layer board except under the switching node island. The FB pin is a high impedance node and care should be taken to make the FB trace short to avoid noise pickup and inaccurate regulation. The feedback resistors should be placed as close as possible to the IC, with the AGND of R1 placed as close as possible to the GND (pin 5 for the WSON) of the IC. The  $V_{OUT}$  trace to R2 should be routed away from the inductor and any other traces that are switching. High AC currents flow through the  $V_{IN}$ , SW and  $V_{OUT}$  traces, so they should be as short and wide as possible. However, making the traces wide increases radiated noise, so the designer must make this trade-off. Radiated noise can be decreased by choosing a shielded inductor. The remaining components should also be placed as close as possible to the IC. See Application Note *AN-1229 SIMPLE SWITCHER® PCB Layout Guidelines (SNVA054)* for further considerations and the LM2735 demo board as an example of a 4-layer layout.

Below is an example of a good thermal and electrical PCB design. This is very similar to our LM2735 demonstration boards that are obtainable through the TI website. The demonstration board consists of a 2-layer PCB with a common input and output voltage application. Most of the routing is on the top layer, with the bottom layer consisting of a large ground plane. The placement of the external components satisfies the electrical considerations, and the thermal performance has been improved by adding thermal vias and a top layer *Dog-Bone*.

#### 10.1.1 WSON Package

The LM2735 packaged in the 6-pin WSON:

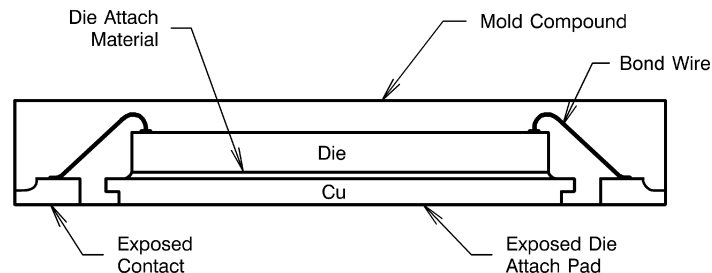


Figure 42. Internal WSON Connection

For certain high power applications, the PCB land may be modified to a *dog bone* shape (see Figure 43). Increasing the size of ground plane, and adding thermal vias can reduce the  $R_{\theta JA}$  for the application.

Layout Guidelines (continued)

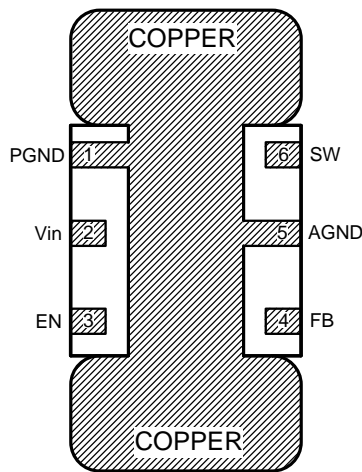


Figure 43. PCB Dog Bone Layout

10.2 Layout Examples

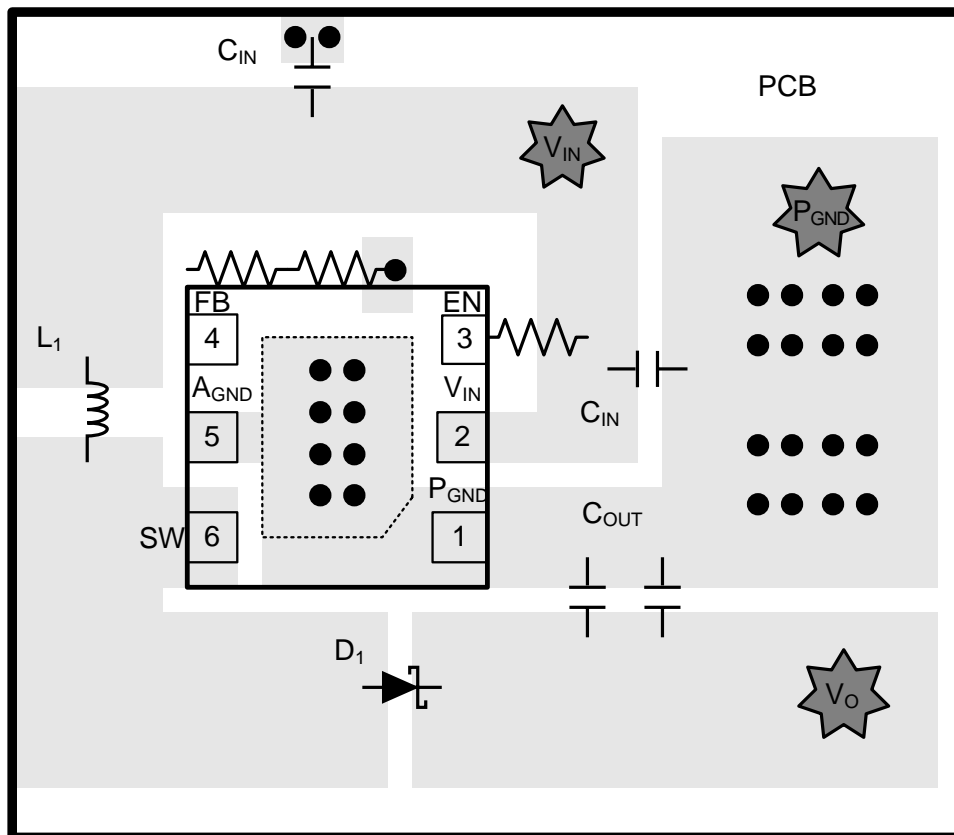


Figure 44. Example of Proper PCB Layout

## Layout Examples (continued)

The layout guidelines described for the LM2735 Boost-Converter are applicable to the SEPIC Converter. Figure 45 shows a proper PCB layout for a SEPIC Converter.

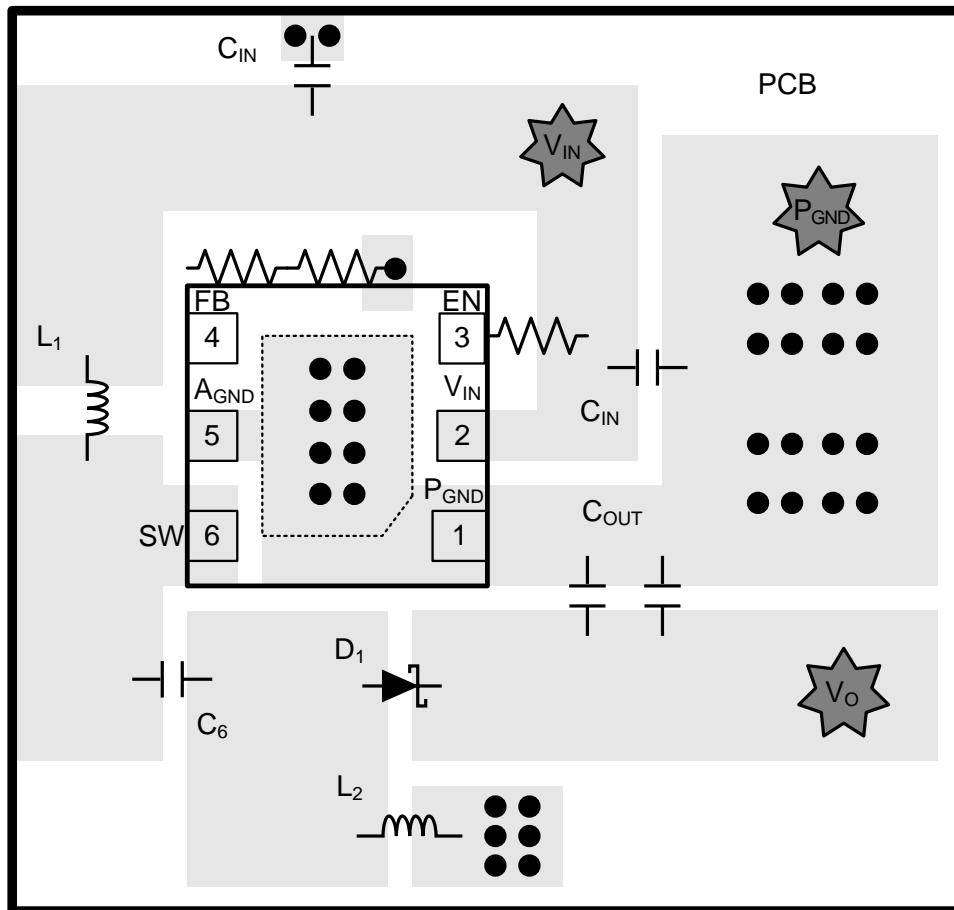


Figure 45. SEPIC PCB Layout

## 10.3 Thermal Considerations

When designing for thermal performance, one must consider many variables:

- **Ambient Temperature:** The surrounding maximum air temperature is fairly explanatory. As the temperature increases, the junction temperature will increase. This may not be linear though. As the surrounding air temperature increases, resistances of semiconductors, wires and traces increase. This will decrease the efficiency of the application, and more power will be converted into heat, and will increase the silicon junction temperatures further.
- **Forced Airflow:** Forced air can drastically reduce the device junction temperature. Air flow reduces the hot spots within a design. Warm airflow is often much better than a lower ambient temperature with no airflow.
- **External Components:** Choose components that are efficient, and you can reduce the mutual heating between devices.

## Thermal Considerations (continued)

### 10.3.1 Definitions

Heat energy is transferred from regions of high temperature to regions of low temperature through three basic mechanisms: radiation, conduction and convection.

**Radiation** Electromagnetic transfer of heat between masses at different temperatures.

**Conduction** Transfer of heat through a solid medium.

**Convection** Transfer of heat through the medium of a fluid; typically air.

*Conduction & Convection will be the dominant heat transfer mechanism in most applications.*

$R_{\theta JC}$  Thermal impedance from silicon junction to device case temperature.

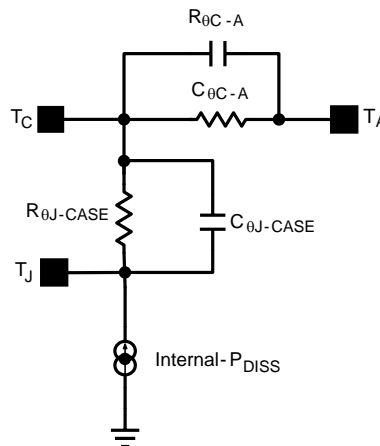
$R_{\theta JA}$  Thermal impedance from silicon junction to ambient air temperature.

$C_{\theta JC}$  Thermal Delay from silicon junction to device case temperature.

$C_{\theta CA}$  Thermal Delay from device case to ambient air temperature.

$R_{\theta JA}$  &  $R_{\theta JC}$  These two symbols represent thermal impedances, and most data sheets contain associated values for these two symbols. The units of measurement are °C/Watt.

$R_{\theta JA}$  is the sum of smaller thermal impedances (see [Figure 46](#)). The capacitors represent delays that are present from the time that power and its associated heat is increased or decreased from steady state in one medium until the time that the heat increase or decrease reaches steady state on the another medium.



**Figure 46. Simplified Thermal Impedance Model**

The datasheet values for these symbols are given so that one might compare the thermal performance of one package against another. In order to achieve a comparison between packages, all other variables must be held constant in the comparison (PCB size, copper weight, thermal via, power dissipation,  $V_{IN}$ ,  $V_{OUT}$ , Load Current, and so forth). This does shed light on the package performance, but it would be a mistake to use these values to calculate the actual junction temperature in your application.

$$R_{\theta JA} = \frac{T_J - T_A}{P_{\text{Dissipation}}} \quad (29)$$

We will talk more about calculating the variables of this equation later, and how to eventually calculate a proper junction temperature with relative certainty. For now we need to define the process of calculating the junction temperature and clarify some common misconceptions.



## Thermal Considerations (continued)

$R_{\theta JA}$  [Variables]:

- Input voltage, output voltage, output current,  $R_{DSon}$ .
- Ambient temperature and air flow.
- Internal and external components power dissipation.
- Package thermal limitations.
- PCB variables (copper weight, thermal vias, layers component placement).

It is incorrect to assume that the top case temperature is the proper temperature when calculating  $R_{\theta JC}$  value. The  $R_{\theta JC}$  value represents the thermal impedance of all six sides of a package, not just the top side. This document will refer to a thermal impedance called  $R_{\psi JC}$ .  $R_{\psi JC}$  represents a thermal impedance associated with just the top case temperature. This will allow one to calculate the junction temperature with a thermal sensor connected to the top case.

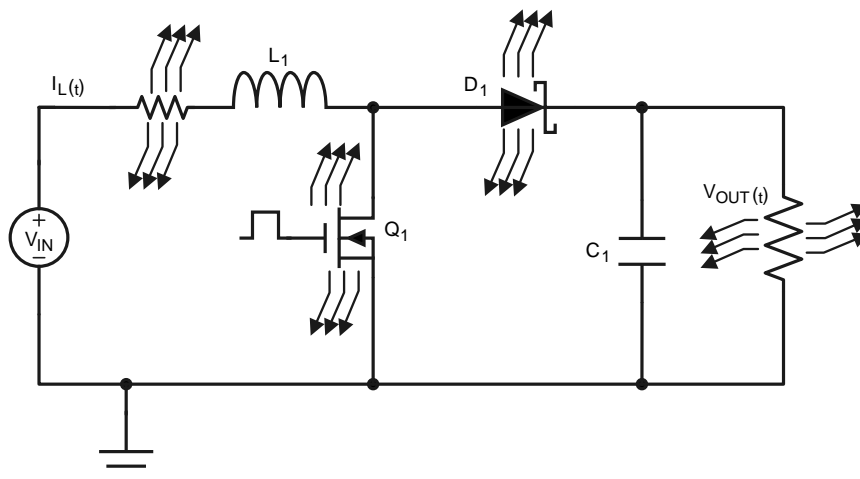
### 10.3.2 PCB Design With Thermal Performance in Mind

The PCB design is a very important step in the thermal design procedure. The LM2735 is available in three package options (5-pin SOT-23, 8-pin MSOP-PowerPAD, and 6-pin WSON). The options are electrically the same, but difference between the packages is size and thermal performance. The WSON and MSOP-PowerPAD have thermal Die Attach Pads (DAP) attached to the bottom of the packages, and are therefore capable of dissipating more heat than the SOT-23 package. It is important that the correct package for the application is chosen. A detailed thermal design procedure has been included in this data sheet. This procedure will help determine which package is correct, and common applications will be analyzed.

There is one significant thermal PCB layout design consideration that contradicts a proper electrical PCB layout design consideration. This contradiction is the placement of external components that dissipate heat. The greatest external heat contributor is the external Schottky diode. It would be ideal to be able to separate by distance the LM2735 from the Schottky diode, and thereby reducing the mutual heating effect, however, this will create electrical performance issues. It is important to keep the LM2735, the output capacitor, and Schottky diode physically close to each other (see [Figure 44](#)). The electrical design considerations outweigh the thermal considerations. Other factors that influence thermal performance are thermal vias, copper weight, and number of board layers.

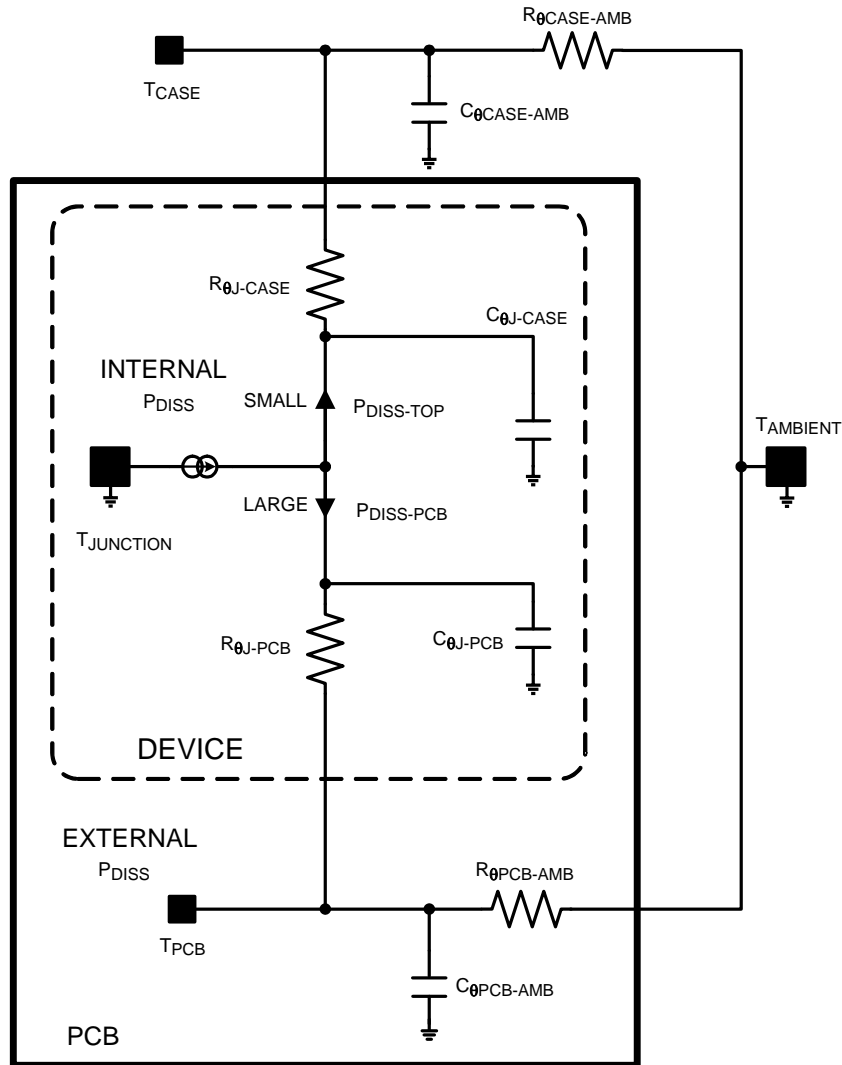
### 10.3.3 LM2735 Thermal Models

Heat is dissipated from the LM2735 and other devices. The external loss elements include the Schottky diode, inductor, and loads. All loss elements will mutually increase the heat on the PCB, and therefore increase each other's temperatures.



**Figure 47. Thermal Schematic**

**Thermal Considerations (continued)**



**Figure 48. Associated Thermal Model**

**10.3.4 Calculating Efficiency, and Junction Temperature**

The complete LM2735 DC-DC converter efficiency ( $\eta$ ) can be calculated in the following manner.

$$\eta = \frac{P_{OUT}}{P_{IN}}$$

or

$$\eta = \frac{P_{OUT}}{P_{OUT} + P_{LOSS}} \tag{30}$$

Power loss ( $P_{LOSS}$ ) is the sum of two types of losses in the converter, switching and conduction. Conduction losses usually dominate at higher output loads, whereas switching losses remain relatively fixed and dominate at lower output loads.

Losses in the LM2735 device:

$$P_{LOSS} = P_{COND} + P_{SW} + P_Q \tag{31}$$

## Thermal Considerations (continued)

Conversion ratio of the boost converter with conduction loss elements inserted:

$$\frac{V_{OUT}}{V_{IN}} = \frac{1}{D'} \left( 1 - \frac{D' \times V_D}{V_{IN}} \right) \left( \frac{1}{1 + \frac{R_{DCR} + (D \times R_{DSON})}{D'^2 R_{OUT}}} \right) \quad (32)$$

If the loss elements are reduced to zero, the conversion ratio simplifies to:

$$\frac{V_{OUT}}{V_{IN}} = \frac{1}{D'} \quad (33)$$

And this is known:

$$\frac{V_{OUT}}{V_{IN}} = \frac{\eta}{D'} \quad (34)$$

Therefore:

$$\eta = D' \frac{V_{OUT}}{V_{IN}} = \left( \frac{1 - \frac{D' \times V_D}{V_{IN}}}{1 + \frac{R_{DCR} + (D \times R_{DSON})}{D'^2 R_{OUT}}} \right) \quad (35)$$

Calculations for determining the most significant power losses are discussed below. Other losses totaling less than 2% are not discussed.

A simple efficiency calculation that takes into account the conduction losses is shown below:

$$\eta \approx \left( \frac{1 - \frac{D' \times V_D}{V_{IN}}}{1 + \frac{R_{DCR} + (D \times R_{DSON})}{D'^2 R_{OUT}}} \right) \quad (36)$$

The diode, NMOS switch, and inductor DCR losses are included in this calculation. Setting any loss element to zero will simplify the equation.

$V_D$  is the forward voltage drop across the Schottky diode. It can be obtained from the manufacturer's *Electrical Characteristics* section of the data sheet.

The conduction losses in the diode are calculated as follows:

$$P_{DIODE} = V_D \times I_O \quad (37)$$

Depending on the duty cycle, this can be the single most significant power loss in the circuit. Care should be taken to choose a diode that has a low forward voltage drop. Another concern with diode selection is reverse leakage current. Depending on the ambient temperature and the reverse voltage across the diode, the current being drawn from the output to the NMOS switch during time D could be significant, this may increase losses internal to the LM2735 and reduce the overall efficiency of the application. Refer to Schottky diode manufacturer's data sheets for reverse leakage specifications, and typical applications within this data sheet for diode selections.

Another significant external power loss is the conduction loss in the input inductor. The power loss within the inductor can be simplified to:

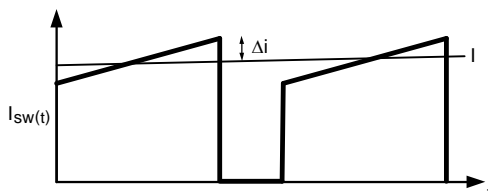
$$P_{IND} = I_{IN}^2 R_{DCR} \quad (38)$$

$$P_{IND} = \left( \frac{I_O^2 R_{DCR}}{D'} \right) \quad (39)$$

## Thermal Considerations (continued)

The LM2735 conduction loss is mainly associated with the internal NFET:

$$P_{\text{COND-NFET}} = I_{\text{SW-rms}}^2 \times R_{\text{DSON}} \times D \quad (40)$$



**Figure 49. LM2735 Switch Current**

$$I_{\text{SW-rms}} = I_{\text{IND}} \sqrt{D} \times \sqrt{1 + \frac{1}{3} \left( \frac{\Delta i}{I_{\text{IND}}} \right)^2} \approx I_{\text{IND}} \sqrt{D}$$

$$P_{\text{IND}} = I_{\text{IN}}^2 \times R_{\text{IND-DCR}}$$

(small ripple approximation) (41)

$$P_{\text{COND-NFET}} = I_{\text{IN}}^2 \times R_{\text{DSON}} \times D \quad (42)$$

$$P_{\text{COND-NFET}} = \left( \frac{I_{\text{O}}}{D} \right)^2 \times R_{\text{DSON}} \times D \quad (43)$$

The value for should be equal to the resistance at the junction temperature you wish to analyze. As an example, at 125°C and  $V_{\text{IN}} = 5 \text{ V}$ ,  $R_{\text{DSON}} = 250 \text{ m}\Omega$  (see [Typical Characteristics](#) for value).

Switching losses are also associated with the internal NMOS switch. They occur during the switch on and off transition periods, where voltages and currents overlap resulting in power loss.

The simplest means to determine this loss is to empirically measuring the rise and fall times (10% to 90%) of the switch at the switch node:

$$P_{\text{SWR}} = 1/2(V_{\text{OUT}} \times I_{\text{IN}} \times F_{\text{SW}} \times T_{\text{RISE}}) \quad (44)$$

$$P_{\text{SWF}} = 1/2(V_{\text{OUT}} \times I_{\text{IN}} \times F_{\text{SW}} \times T_{\text{FALL}}) \quad (45)$$

$$P_{\text{SW}} = P_{\text{SWR}} + P_{\text{SWF}} \quad (46)$$

**Table 2. Typical Switch-Node Rise and Fall Times**

| $V_{\text{IN}}$ | $V_{\text{OUT}}$ | $T_{\text{RISE}}$ | $T_{\text{FALL}}$ |
|-----------------|------------------|-------------------|-------------------|
| 3 V             | 5 V              | 6 nS              | 4 nS              |
| 5 V             | 12 V             | 6 nS              | 5 nS              |
| 3 V             | 12 V             | 7 nS              | 5 nS              |
| 5 V             | 18 V             | 7 nS              | 5 nS              |

Quiescent Power Losses:

$I_{\text{Q}}$  is the quiescent operating current, and is typically around 4 mA.

$$P_{\text{Q}} = I_{\text{Q}} \times V_{\text{IN}} \quad (47)$$

### 10.3.4.1 Example Efficiency Calculation

**Table 3. Operating Conditions**

| PARAMETER  | VALUE    |
|------------|----------|
| $V_{IN}$   | 5 V      |
| $V_{OUT}$  | 12 V     |
| $I_{OUT}$  | 500 mA   |
| $V_D$      | 0.4 V    |
| $F_{SW}$   | 1.60 MHz |
| $I_Q$      | 4 mA     |
| $T_{RISE}$ | 6 nS     |
| $T_{FALL}$ | 5 nS     |
| $R_{DSON}$ | 250 mΩ   |
| $R_{DCR}$  | 50 mΩ    |
| $D$        | 0.64     |
| $I_{IN}$   | 1.4 A    |

$$\Sigma P_{COND} + P_{SW} + P_{DIODE} + P_{IND} + P_Q = P_{LOSS} \quad (48)$$

Quiescent Power Losses:

$$P_Q = I_Q \times V_{IN} = 20 \text{ mW} \quad (49)$$

Switching Power Losses:

$$P_{SWR} = 1/2(V_{OUT} \times I_{IN} \times F_{SW} \times T_{RISE}) \approx 6 \text{ ns} \approx 80 \text{ mW} \quad (50)$$

$$P_{SWF} = 1/2(V_{OUT} \times I_{IN} \times F_{SW} \times T_{FALL}) \approx 5 \text{ ns} \approx 70 \text{ mW} \quad (51)$$

$$P_{SW} = P_{SWR} + P_{SWF} = 150 \text{ mW} \quad (52)$$

Internal NFET Power Losses:

$$R_{DSON} = 250 \text{ m}\Omega \quad (53)$$

$$P_{CONDUCTION} = I_{IN}^2 \times D \times R_{DSON} \times 305 \text{ mW} \quad (54)$$

Diode Losses:

$$V_D = 0.45 \text{ V} \quad (55)$$

$$P_{DIODE} = V_D \times I_{IN}(1-D) = 236 \text{ mW} \quad (56)$$

Inductor Power Losses:

$$R_{DCR} = 75 \text{ m}\Omega \quad (57)$$

$$P_{IND} = I_{IN}^2 \times R_{DCR} = 145 \text{ mW} \quad (58)$$

Total Power Losses are:

**Table 4. Power Loss Tabulation**

| PARAMETER         | VALUE   | PARAMETER | VALUE  |
|-------------------|---------|-----------|--------|
| V <sub>IN</sub>   | 5 V     |           |        |
| V <sub>OUT</sub>  | 12 V    |           |        |
| I <sub>OUT</sub>  | 500 mA  | POUT      | 6 W    |
| V <sub>D</sub>    | 0.4 V   | PDIODE    | 236 mW |
| F <sub>SW</sub>   | 1.6 MHz |           |        |
| T <sub>RISE</sub> | 6 nS    | PSWR      | 80 mW  |
| T <sub>FALL</sub> | 5 nS    | PSWF      | 70 mW  |
| I <sub>Q</sub>    | 4 mA    | PQ        | 20 mW  |
| R <sub>DSon</sub> | 250 mΩ  | PCOND     | 305 mW |
| R <sub>DcR</sub>  | 75 mΩ   | PIND      | 145 mW |
| D                 | 0.623   |           |        |
| η                 | 86%     | PLOSS     | 856 mW |

$$P_{\text{INTERNAL}} = P_{\text{COND}} + P_{\text{SW}} = 475 \text{ mW} \quad (59)$$

### 10.3.5 Calculating R<sub>θJA</sub> and R<sub>ψJC</sub>

$$R_{\theta JA} = \frac{T_J - T_A}{P_{\text{Dissipation}}}$$

and

$$R_{\psi JC} = \frac{T_J - T_{\text{CASE}}}{P_{\text{Dissipation}}} \quad (60)$$

Now the internal power dissipation is known, and the junction temperature is attempted to be kept at or below 125°C. The next step is to calculate the value for R<sub>θJA</sub> and/or R<sub>ψJC</sub>. This is actually very simple to accomplish, and necessary if marginality is a possibility in regards to thermals or determining what package option is correct.

The LM2735 has a thermal shutdown comparator. When the silicon reaches a temperature of 160°C, the device shuts down until the temperature reduces to 150°C. Knowing this, the R<sub>θJA</sub> or the R<sub>ψJC</sub> of a specific application can be calculated. Because the junction-to-top case thermal impedance is much lower than the thermal impedance of junction to ambient air, the error in calculating R<sub>ψJC</sub> is lower than for R<sub>θJA</sub>. However, a small thermocouple will need to be attached onto the top case of the LM2735 to obtain the R<sub>ψJC</sub> value.

Knowing the temperature of the silicon when the device shuts down allows three of the four variables to be known. Once the thermal impedance is calculated, work backwards with the junction temperature set to 125°C to determine what maximum ambient air temperature keeps the silicon below the 125°C temperature.

#### 10.3.5.1 Procedure

Place the application into a thermal chamber. Sufficient power will need to be dissipated in the device so that a good thermal impedance value may be obtained.

Raise the ambient air temperature until the device goes into thermal shutdown. Record the temperatures of the ambient air and/or the top case temperature of the LM2735. Calculate the thermal impedances.

**10.3.5.2 Example From Previous Calculations**

$P_{\text{Dissipation}} = 475 \text{ mW}$

$T_A \text{ at Shutdown} = 139^\circ\text{C}$

$T_{\text{Case-Top}} \text{ at Shutdown} = 155^\circ\text{C}$

$$R_{\theta\text{JA}} = \frac{T_J - T_A}{P_{\text{Dissipation}}} : R_{\Psi\text{JC}} = \frac{T_J - T_{\text{Case-Top}}}{P_{\text{Dissipation}}} \tag{61}$$

$R_{\theta\text{JA}} \text{ WSON} = 55^\circ\text{C/W}$

$R_{\Psi\text{JC}} \text{ WSON} = 21^\circ\text{C/W}$

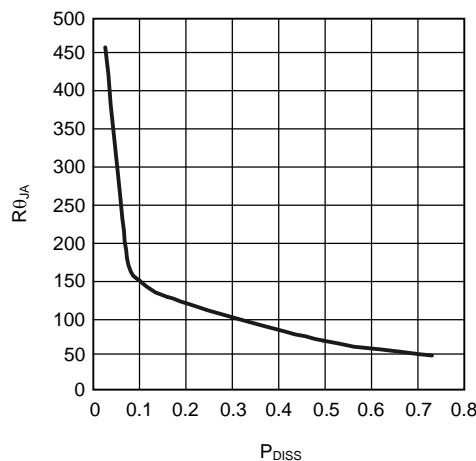
WSON & MSOP-PowerPAD typical applications will produce  $R_{\theta\text{JA}}$  numbers in the range of  $50^\circ\text{C/W}$  to  $65^\circ\text{C/W}$ , and  $R_{\Psi\text{JC}}$  will vary from  $18^\circ\text{C/W}$  to  $28^\circ\text{C/W}$ . These values are for PCB's with two and four layer boards with 0.5-oz copper, and 4 to 6 thermal vias to bottom side ground plane under the DAP.

For 5-pin SOT-23 package typical applications,  $R_{\theta\text{JA}}$  numbers will range from  $80^\circ\text{C/W}$  to  $110^\circ\text{C/W}$ , and  $R_{\Psi\text{JC}}$  will vary from  $50^\circ\text{C/W}$  to  $65^\circ\text{C/W}$ . These values are for PCBs with 2- and 4-layer boards with 0.5-oz copper, with 2 to 4 thermal vias from GND pin to bottom layer.

The following is a good rule of thumb for typical thermal impedances, and an ambient temperature maximum of  $75^\circ\text{C}$ : if the design requires more than 400 mW internal to the LM2735 be dissipated, or there is 750 mW of total power loss in the application, TI recommends using the 6-pin WSON or the 8-pin MSOP-PowerPAD package.

**NOTE**

To use these procedures, it is important to dissipate an amount of power within the device that will indicate a true thermal impedance value. If a very small internal dissipated value is used, it can be determined that the thermal impedance calculated is abnormally high, and subject to error. The graph below shows the nonlinear relationship of internal power dissipation vs  $R_{\theta\text{JA}}$ .



**Figure 50.  $R_{\theta\text{JA}}$  vs Internal Dissipation for the WSON and MSOP-PowerPAD Package**

## 11 Device and Documentation Support

### 11.1 Device Support

#### 11.1.1 Third-Party Products Disclaimer

TI'S PUBLICATION OF INFORMATION REGARDING THIRD-PARTY PRODUCTS OR SERVICES DOES NOT CONSTITUTE AN ENDORSEMENT REGARDING THE SUITABILITY OF SUCH PRODUCTS OR SERVICES OR A WARRANTY, REPRESENTATION OR ENDORSEMENT OF SUCH PRODUCTS OR SERVICES, EITHER ALONE OR IN COMBINATION WITH ANY TI PRODUCT OR SERVICE.

### 11.2 Documentation Support

#### 11.2.1 Related Documentation

For related documentation, see the following:

*AN-1229 SIMPLE SWITCHER® PCB Layout Guidelines*, [SNVA054](#)

### 11.3 Related Links

The table below lists quick access links. Categories include technical documents, support and community resources, tools and software, and quick access to sample or buy.

**Table 5. Related Links**

| PARTS     | PRODUCT FOLDER             | SAMPLE & BUY               | TECHNICAL DOCUMENTS        | TOOLS & SOFTWARE           | SUPPORT & COMMUNITY        |
|-----------|----------------------------|----------------------------|----------------------------|----------------------------|----------------------------|
| LM2735    | <a href="#">Click here</a> | <a href="#">Click here</a> | <a href="#">Click here</a> | <a href="#">Click here</a> | <a href="#">Click here</a> |
| LM2735-Q1 | <a href="#">Click here</a> | <a href="#">Click here</a> | <a href="#">Click here</a> | <a href="#">Click here</a> | <a href="#">Click here</a> |

### 11.4 Community Resources

The following links connect to TI community resources. Linked contents are provided "AS IS" by the respective contributors. They do not constitute TI specifications and do not necessarily reflect TI's views; see TI's [Terms of Use](#).

**TI E2E™ Online Community** *TI's Engineer-to-Engineer (E2E) Community*. Created to foster collaboration among engineers. At [e2e.ti.com](http://e2e.ti.com), you can ask questions, share knowledge, explore ideas and help solve problems with fellow engineers.

**Design Support** *TI's Design Support* Quickly find helpful E2E forums along with design support tools and contact information for technical support.

### 11.5 Trademarks

E2E is a trademark of Texas Instruments.  
All other trademarks are the property of their respective owners.

### 11.6 Electrostatic Discharge Caution



These devices have limited built-in ESD protection. The leads should be shorted together or the device placed in conductive foam during storage or handling to prevent electrostatic damage to the MOS gates.

### 11.7 Glossary

[SLYZ022](#) — *TI Glossary*.

This glossary lists and explains terms, acronyms, and definitions.



## 12 Mechanical, Packaging, and Orderable Information

The following pages include mechanical, packaging, and orderable information. This information is the most current data available for the designated devices. This data is subject to change without notice and revision of this document. For browser-based versions of this data sheet, refer to the left-hand navigation.

**PACKAGING INFORMATION**

| Orderable Device | Status<br>(1) | Package Type  | Package Drawing | Pins | Package Qty | Eco Plan<br>(2)         | Lead/Ball Finish<br>(6) | MSL Peak Temp<br>(3) | Op Temp (°C) | Device Marking<br>(4/5) | Samples                 |
|------------------|---------------|---------------|-----------------|------|-------------|-------------------------|-------------------------|----------------------|--------------|-------------------------|-------------------------|
| LM2735XMF/NOPB   | ACTIVE        | SOT-23        | DBV             | 5    | 1000        | Green (RoHS & no Sb/Br) | CU SN                   | Level-1-260C-UNLIM   | -40 to 125   | SLEB                    | <a href="#">Samples</a> |
| LM2735XMF/NOPB   | ACTIVE        | SOT-23        | DBV             | 5    | 3000        | Green (RoHS & no Sb/Br) | CU SN                   | Level-1-260C-UNLIM   | -40 to 125   | SLEB                    | <a href="#">Samples</a> |
| LM2735XMY/NOPB   | ACTIVE        | MSOP-PowerPAD | DGN             | 8    | 1000        | Green (RoHS & no Sb/Br) | CU SN                   | Level-1-260C-UNLIM   | -40 to 125   | SRJB                    | <a href="#">Samples</a> |
| LM2735XQMF/NOPB  | ACTIVE        | SOT-23        | DBV             | 5    | 1000        | Green (RoHS & no Sb/Br) | CU SN                   | Level-1-260C-UNLIM   | -40 to 125   | SVDB                    | <a href="#">Samples</a> |
| LM2735XQMF/NOPB  | ACTIVE        | SOT-23        | DBV             | 5    | 3000        | Green (RoHS & no Sb/Br) | CU SN                   | Level-1-260C-UNLIM   | -40 to 125   | SVDB                    | <a href="#">Samples</a> |
| LM2735XSD/NOPB   | ACTIVE        | WSON          | NGG             | 6    | 1000        | Green (RoHS & no Sb/Br) | CU SN                   | Level-1-260C-UNLIM   | -40 to 125   | 2735X                   | <a href="#">Samples</a> |
| LM2735XSDX/NOPB  | ACTIVE        | WSON          | NGG             | 6    | 4500        | Green (RoHS & no Sb/Br) | CU SN                   | Level-1-260C-UNLIM   | -40 to 125   | 2735X                   | <a href="#">Samples</a> |
| LM2735YMF/NOPB   | ACTIVE        | SOT-23        | DBV             | 5    | 1000        | Green (RoHS & no Sb/Br) | CU SN                   | Level-1-260C-UNLIM   | -40 to 125   | SLFB                    | <a href="#">Samples</a> |
| LM2735YMF/NOPB   | ACTIVE        | SOT-23        | DBV             | 5    | 3000        | Green (RoHS & no Sb/Br) | CU SN                   | Level-1-260C-UNLIM   | -40 to 125   | SLFB                    | <a href="#">Samples</a> |
| LM2735YMY/NOPB   | ACTIVE        | MSOP-PowerPAD | DGN             | 8    | 1000        | Green (RoHS & no Sb/Br) | CU SN                   | Level-1-260C-UNLIM   | -40 to 125   | SRKB                    | <a href="#">Samples</a> |
| LM2735YQMF/NOPB  | ACTIVE        | SOT-23        | DBV             | 5    | 1000        | Green (RoHS & no Sb/Br) | CU SN                   | Level-1-260C-UNLIM   | -40 to 125   | SXUB                    | <a href="#">Samples</a> |
| LM2735YQSD/NOPB  | ACTIVE        | WSON          | NGG             | 6    | 1000        | Green (RoHS & no Sb/Br) | CU SN                   | Level-1-260C-UNLIM   | -40 to 125   | L283B                   | <a href="#">Samples</a> |
| LM2735YQSDX/NOPB | ACTIVE        | WSON          | NGG             | 6    | 4500        | Green (RoHS & no Sb/Br) | CU SN                   | Level-1-260C-UNLIM   | -40 to 125   | L283B                   | <a href="#">Samples</a> |
| LM2735YSD/NOPB   | ACTIVE        | WSON          | NGG             | 6    | 1000        | Green (RoHS & no Sb/Br) | CU SN                   | Level-1-260C-UNLIM   | -40 to 125   | 2735Y                   | <a href="#">Samples</a> |
| LM2735YSDX/NOPB  | ACTIVE        | WSON          | NGG             | 6    | 4500        | Green (RoHS & no Sb/Br) | CU SN                   | Level-1-260C-UNLIM   | -40 to 125   | 2735Y                   | <a href="#">Samples</a> |

(1) The marketing status values are defined as follows:

**ACTIVE:** Product device recommended for new designs.

**LIFEBUY:** TI has announced that the device will be discontinued, and a lifetime-buy period is in effect.

**NRND:** Not recommended for new designs. Device is in production to support existing customers, but TI does not recommend using this part in a new design.

---

**PREVIEW:** Device has been announced but is not in production. Samples may or may not be available.

**OBSOLETE:** TI has discontinued the production of the device.

<sup>(2)</sup> **RoHS:** TI defines "RoHS" to mean semiconductor products that are compliant with the current EU RoHS requirements for all 10 RoHS substances, including the requirement that RoHS substance do not exceed 0.1% by weight in homogeneous materials. Where designed to be soldered at high temperatures, "RoHS" products are suitable for use in specified lead-free processes. TI may reference these types of products as "Pb-Free".

**RoHS Exempt:** TI defines "RoHS Exempt" to mean products that contain lead but are compliant with EU RoHS pursuant to a specific EU RoHS exemption.

**Green:** TI defines "Green" to mean the content of Chlorine (Cl) and Bromine (Br) based flame retardants meet JS709B low halogen requirements of  $\leq 1000$ ppm threshold. Antimony trioxide based flame retardants must also meet the  $\leq 1000$ ppm threshold requirement.

<sup>(3)</sup> MSL, Peak Temp. - The Moisture Sensitivity Level rating according to the JEDEC industry standard classifications, and peak solder temperature.

<sup>(4)</sup> There may be additional marking, which relates to the logo, the lot trace code information, or the environmental category on the device.

<sup>(5)</sup> Multiple Device Markings will be inside parentheses. Only one Device Marking contained in parentheses and separated by a "~" will appear on a device. If a line is indented then it is a continuation of the previous line and the two combined represent the entire Device Marking for that device.

<sup>(6)</sup> Lead/Ball Finish - Orderable Devices may have multiple material finish options. Finish options are separated by a vertical ruled line. Lead/Ball Finish values may wrap to two lines if the finish value exceeds the maximum column width.

**Important Information and Disclaimer:** The information provided on this page represents TI's knowledge and belief as of the date that it is provided. TI bases its knowledge and belief on information provided by third parties, and makes no representation or warranty as to the accuracy of such information. Efforts are underway to better integrate information from third parties. TI has taken and continues to take reasonable steps to provide representative and accurate information but may not have conducted destructive testing or chemical analysis on incoming materials and chemicals. TI and TI suppliers consider certain information to be proprietary, and thus CAS numbers and other limited information may not be available for release.

In no event shall TI's liability arising out of such information exceed the total purchase price of the TI part(s) at issue in this document sold by TI to Customer on an annual basis.

**OTHER QUALIFIED VERSIONS OF LM2735, LM2735-Q1 :**

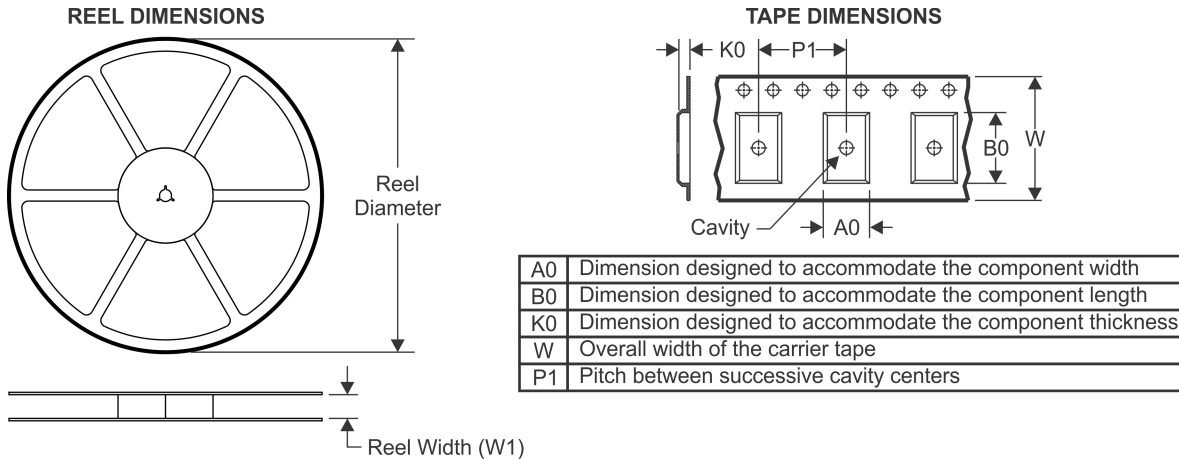
● Catalog: [LM2735](#)

● Automotive: [LM2735-Q1](#)

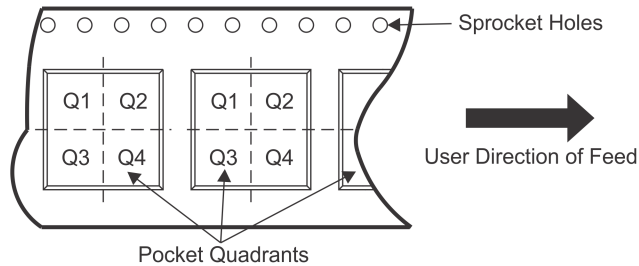
NOTE: Qualified Version Definitions:

- Catalog - TI's standard catalog product
- Automotive - Q100 devices qualified for high-reliability automotive applications targeting zero defects

## TAPE AND REEL INFORMATION

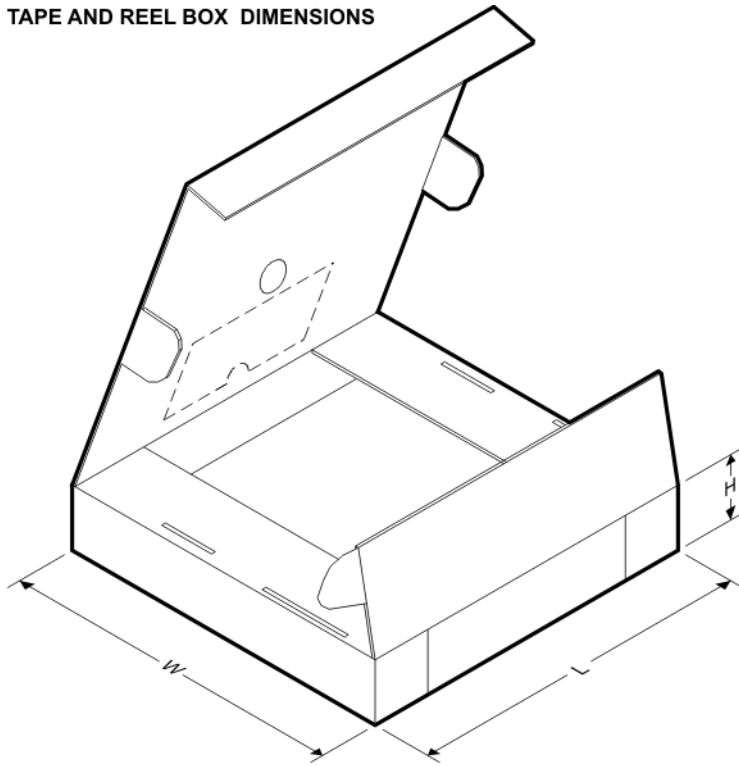


### QUADRANT ASSIGNMENTS FOR PIN 1 ORIENTATION IN TAPE



\*All dimensions are nominal

| Device           | Package Type   | Package Drawing | Pins | SPQ  | Reel Diameter (mm) | Reel Width W1 (mm) | A0 (mm) | B0 (mm) | K0 (mm) | P1 (mm) | W (mm) | Pin1 Quadrant |
|------------------|----------------|-----------------|------|------|--------------------|--------------------|---------|---------|---------|---------|--------|---------------|
| LM2735XMF/NOPB   | SOT-23         | DBV             | 5    | 1000 | 178.0              | 8.4                | 3.2     | 3.2     | 1.4     | 4.0     | 8.0    | Q3            |
| LM2735XMF/NOPB   | SOT-23         | DBV             | 5    | 3000 | 178.0              | 8.4                | 3.2     | 3.2     | 1.4     | 4.0     | 8.0    | Q3            |
| LM2735XMY/NOPB   | MSOP-Power PAD | DGN             | 8    | 1000 | 178.0              | 12.4               | 5.3     | 3.4     | 1.4     | 8.0     | 12.0   | Q1            |
| LM2735XQMF/NOPB  | SOT-23         | DBV             | 5    | 1000 | 178.0              | 8.4                | 3.2     | 3.2     | 1.4     | 4.0     | 8.0    | Q3            |
| LM2735XQMF/NOPB  | SOT-23         | DBV             | 5    | 3000 | 178.0              | 8.4                | 3.2     | 3.2     | 1.4     | 4.0     | 8.0    | Q3            |
| LM2735XSD/NOPB   | WSON           | NGG             | 6    | 1000 | 178.0              | 12.4               | 3.3     | 3.3     | 1.0     | 8.0     | 12.0   | Q1            |
| LM2735XSDX/NOPB  | WSON           | NGG             | 6    | 4500 | 330.0              | 12.4               | 3.3     | 3.3     | 1.0     | 8.0     | 12.0   | Q1            |
| LM2735YMF/NOPB   | SOT-23         | DBV             | 5    | 1000 | 178.0              | 8.4                | 3.2     | 3.2     | 1.4     | 4.0     | 8.0    | Q3            |
| LM2735YMF/NOPB   | SOT-23         | DBV             | 5    | 3000 | 178.0              | 8.4                | 3.2     | 3.2     | 1.4     | 4.0     | 8.0    | Q3            |
| LM2735YMY/NOPB   | MSOP-Power PAD | DGN             | 8    | 1000 | 178.0              | 12.4               | 5.3     | 3.4     | 1.4     | 8.0     | 12.0   | Q1            |
| LM2735YQMF/NOPB  | SOT-23         | DBV             | 5    | 1000 | 178.0              | 8.4                | 3.2     | 3.2     | 1.4     | 4.0     | 8.0    | Q3            |
| LM2735YQSD/NOPB  | WSON           | NGG             | 6    | 1000 | 178.0              | 12.4               | 3.3     | 3.3     | 1.0     | 8.0     | 12.0   | Q1            |
| LM2735YQSDX/NOPB | WSON           | NGG             | 6    | 4500 | 330.0              | 12.4               | 3.3     | 3.3     | 1.0     | 8.0     | 12.0   | Q1            |
| LM2735YSD/NOPB   | WSON           | NGG             | 6    | 1000 | 178.0              | 12.4               | 3.3     | 3.3     | 1.0     | 8.0     | 12.0   | Q1            |
| LM2735YSDX/NOPB  | WSON           | NGG             | 6    | 4500 | 330.0              | 12.4               | 3.3     | 3.3     | 1.0     | 8.0     | 12.0   | Q1            |

**TAPE AND REEL BOX DIMENSIONS**


\*All dimensions are nominal

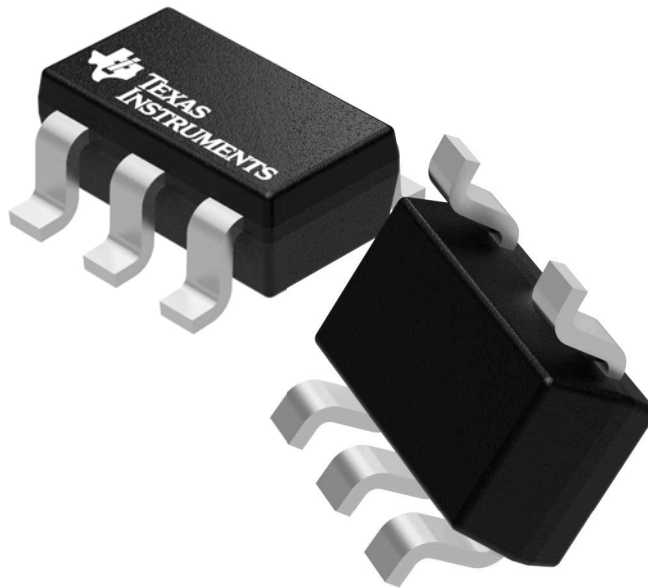
| Device           | Package Type  | Package Drawing | Pins | SPQ  | Length (mm) | Width (mm) | Height (mm) |
|------------------|---------------|-----------------|------|------|-------------|------------|-------------|
| LM2735XMF/NOPB   | SOT-23        | DBV             | 5    | 1000 | 210.0       | 185.0      | 35.0        |
| LM2735XMF/NOPB   | SOT-23        | DBV             | 5    | 3000 | 210.0       | 185.0      | 35.0        |
| LM2735XMY/NOPB   | MSOP-PowerPAD | DGN             | 8    | 1000 | 210.0       | 185.0      | 35.0        |
| LM2735XQMF/NOPB  | SOT-23        | DBV             | 5    | 1000 | 210.0       | 185.0      | 35.0        |
| LM2735XQMF/NOPB  | SOT-23        | DBV             | 5    | 3000 | 210.0       | 185.0      | 35.0        |
| LM2735XSD/NOPB   | WSON          | NGG             | 6    | 1000 | 210.0       | 185.0      | 35.0        |
| LM2735XSDX/NOPB  | WSON          | NGG             | 6    | 4500 | 367.0       | 367.0      | 35.0        |
| LM2735YMF/NOPB   | SOT-23        | DBV             | 5    | 1000 | 210.0       | 185.0      | 35.0        |
| LM2735YMF/NOPB   | SOT-23        | DBV             | 5    | 3000 | 210.0       | 185.0      | 35.0        |
| LM2735YMY/NOPB   | MSOP-PowerPAD | DGN             | 8    | 1000 | 210.0       | 185.0      | 35.0        |
| LM2735YQMF/NOPB  | SOT-23        | DBV             | 5    | 1000 | 210.0       | 185.0      | 35.0        |
| LM2735YQSD/NOPB  | WSON          | NGG             | 6    | 1000 | 210.0       | 185.0      | 35.0        |
| LM2735YQSDX/NOPB | WSON          | NGG             | 6    | 4500 | 367.0       | 367.0      | 35.0        |
| LM2735YSD/NOPB   | WSON          | NGG             | 6    | 1000 | 210.0       | 185.0      | 35.0        |
| LM2735YSDX/NOPB  | WSON          | NGG             | 6    | 4500 | 367.0       | 367.0      | 35.0        |

## GENERIC PACKAGE VIEW

DBV 5

SOT-23 - 1.45 mm max height

SMALL OUTLINE TRANSISTOR



Images above are just a representation of the package family, actual package may vary.  
Refer to the product data sheet for package details.

4073253/P

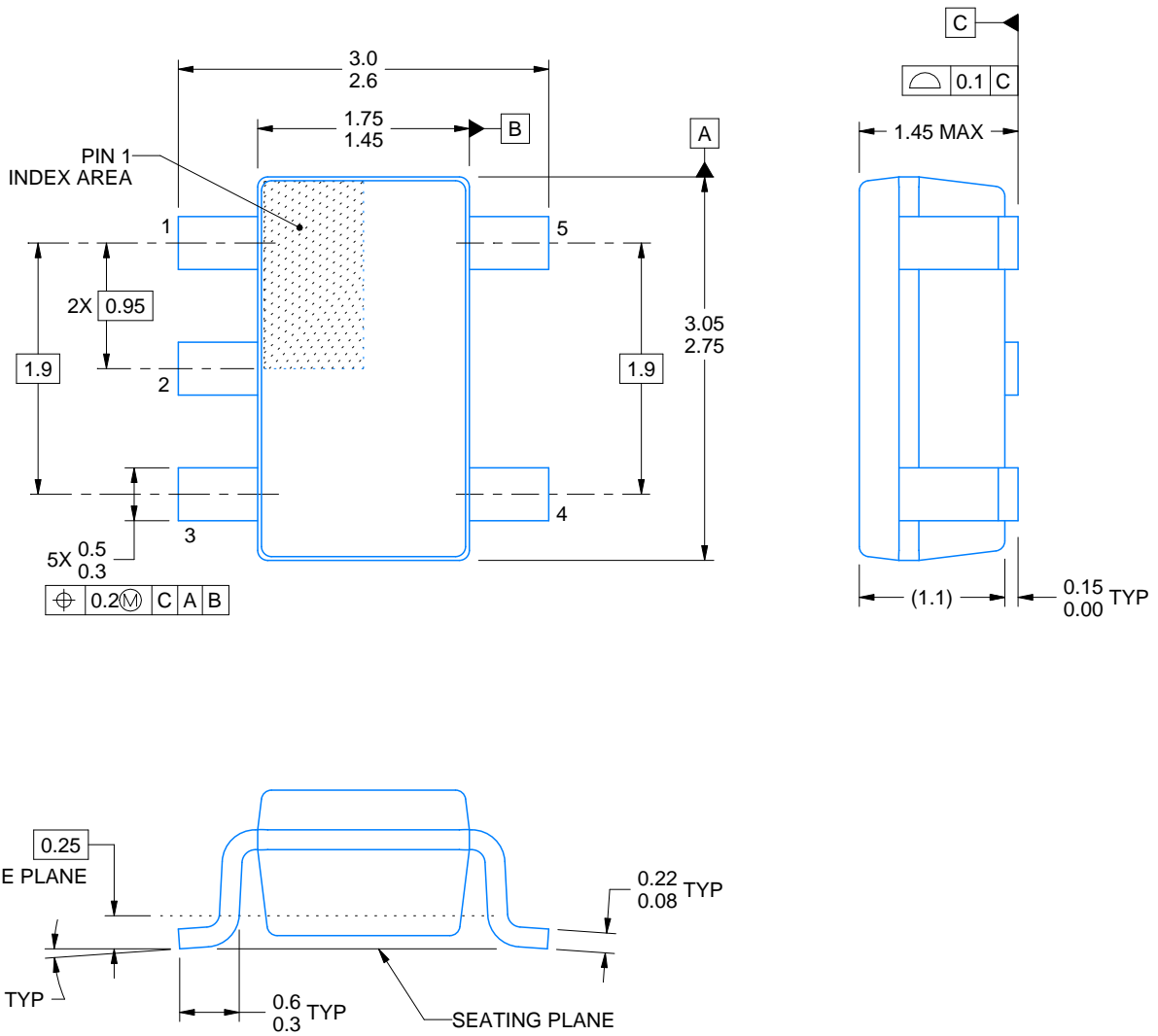
DBV0005A



# PACKAGE OUTLINE

SOT-23 - 1.45 mm max height

SMALL OUTLINE TRANSISTOR



4214839/C 04/2017

## NOTES:

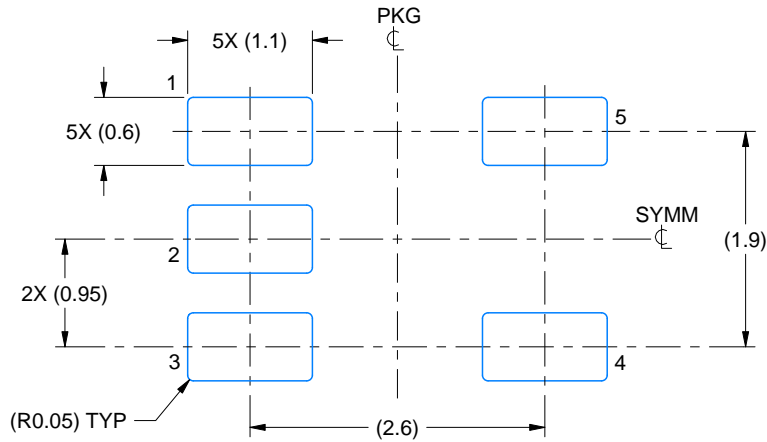
1. All linear dimensions are in millimeters. Any dimensions in parenthesis are for reference only. Dimensioning and tolerancing per ASME Y14.5M.
2. This drawing is subject to change without notice.
3. Reference JEDEC MO-178.

# EXAMPLE BOARD LAYOUT

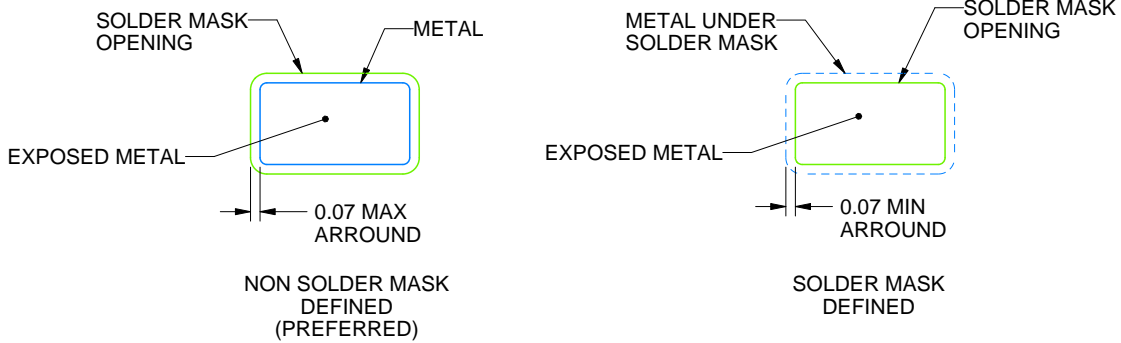
DBV0005A

SOT-23 - 1.45 mm max height

SMALL OUTLINE TRANSISTOR



LAND PATTERN EXAMPLE  
EXPOSED METAL SHOWN  
SCALE:15X



SOLDER MASK DETAILS

4214839/C 04/2017

NOTES: (continued)

4. Publication IPC-7351 may have alternate designs.
5. Solder mask tolerances between and around signal pads can vary based on board fabrication site.

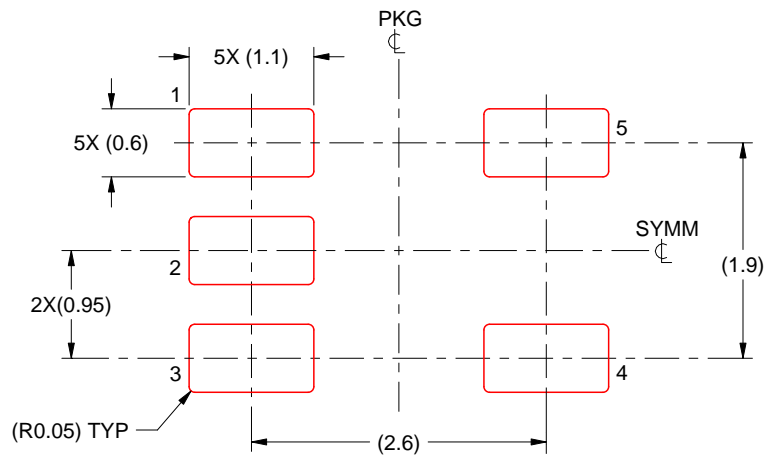


# EXAMPLE STENCIL DESIGN

DBV0005A

SOT-23 - 1.45 mm max height

SMALL OUTLINE TRANSISTOR



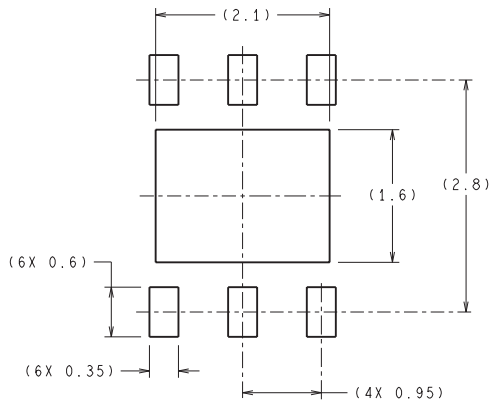
SOLDER PASTE EXAMPLE  
BASED ON 0.125 mm THICK STENCIL  
SCALE:15X

4214839/C 04/2017

NOTES: (continued)

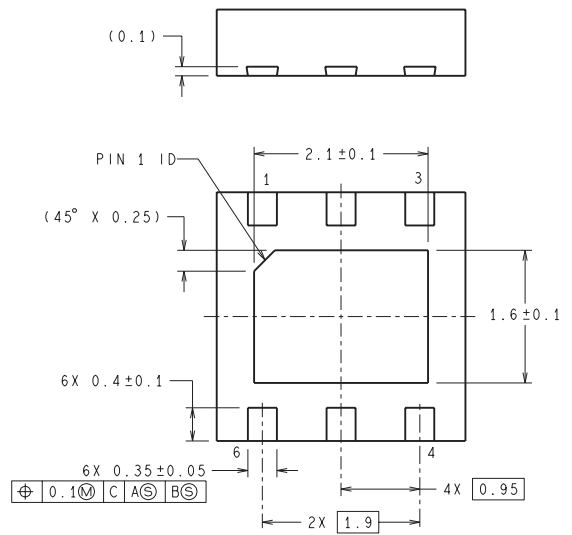
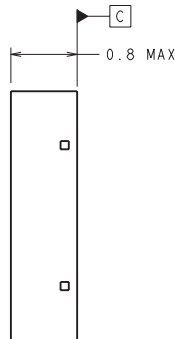
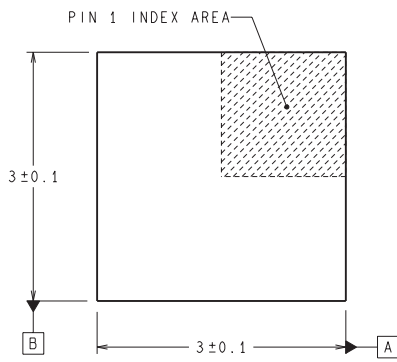
6. Laser cutting apertures with trapezoidal walls and rounded corners may offer better paste release. IPC-7525 may have alternate design recommendations.
7. Board assembly site may have different recommendations for stencil design.

NGG0006A



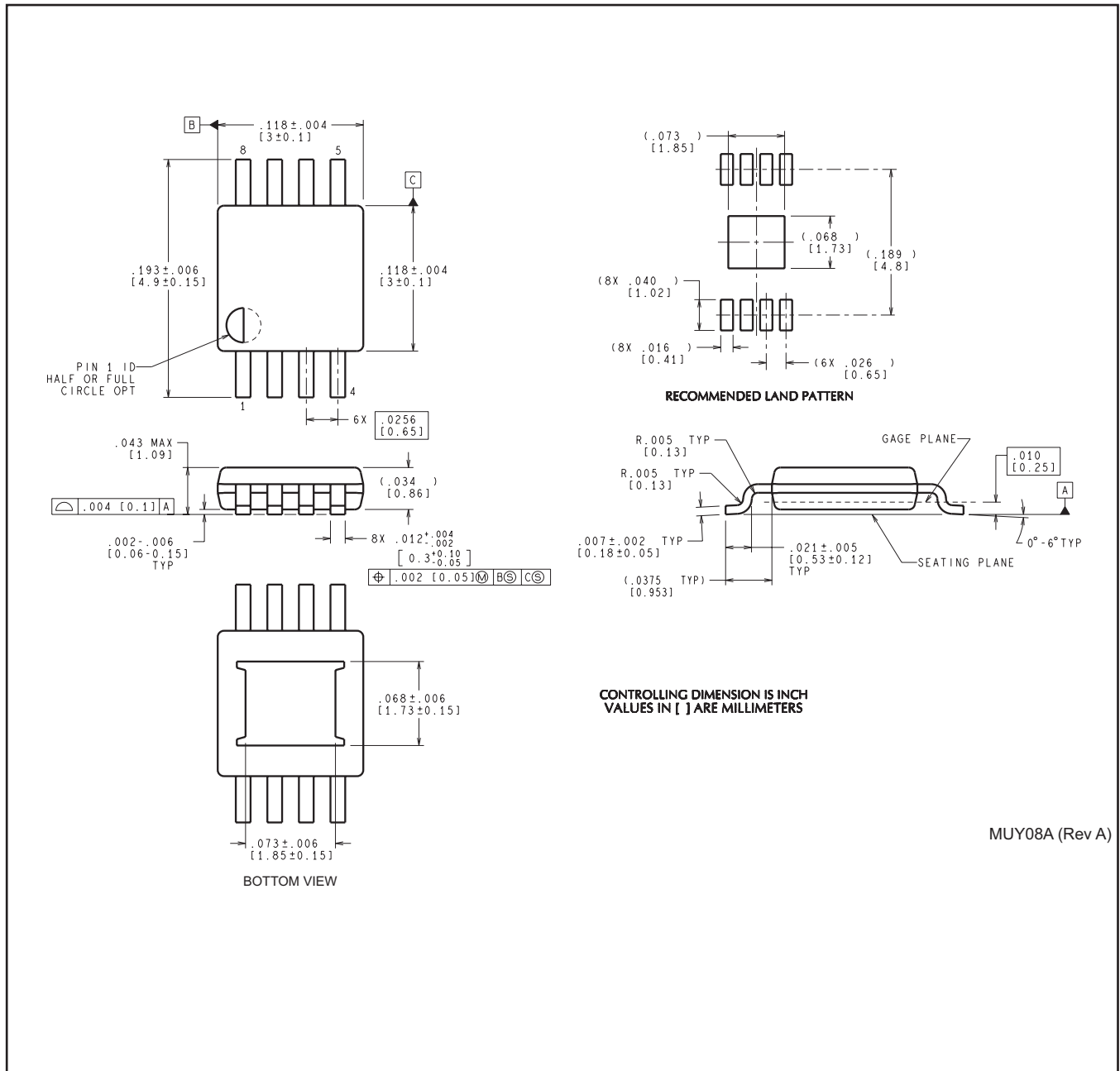
DIMENSIONS ARE IN MILLIMETERS  
DIMENSION IN ( ) FOR REFERENCE ONLY

RECOMMENDED LAND PATTERN



SDE06A (Rev A)

DGN0008A



MUY08A (Rev A)

## IMPORTANT NOTICE

Texas Instruments Incorporated (TI) reserves the right to make corrections, enhancements, improvements and other changes to its semiconductor products and services per JESD46, latest issue, and to discontinue any product or service per JESD48, latest issue. Buyers should obtain the latest relevant information before placing orders and should verify that such information is current and complete.

TI's published terms of sale for semiconductor products (<http://www.ti.com/sc/docs/stdterms.htm>) apply to the sale of packaged integrated circuit products that TI has qualified and released to market. Additional terms may apply to the use or sale of other types of TI products and services.

Reproduction of significant portions of TI information in TI data sheets is permissible only if reproduction is without alteration and is accompanied by all associated warranties, conditions, limitations, and notices. TI is not responsible or liable for such reproduced documentation. Information of third parties may be subject to additional restrictions. Resale of TI products or services with statements different from or beyond the parameters stated by TI for that product or service voids all express and any implied warranties for the associated TI product or service and is an unfair and deceptive business practice. TI is not responsible or liable for any such statements.

Buyers and others who are developing systems that incorporate TI products (collectively, "Designers") understand and agree that Designers remain responsible for using their independent analysis, evaluation and judgment in designing their applications and that Designers have full and exclusive responsibility to assure the safety of Designers' applications and compliance of their applications (and of all TI products used in or for Designers' applications) with all applicable regulations, laws and other applicable requirements. Designer represents that, with respect to their applications, Designer has all the necessary expertise to create and implement safeguards that (1) anticipate dangerous consequences of failures, (2) monitor failures and their consequences, and (3) lessen the likelihood of failures that might cause harm and take appropriate actions. Designer agrees that prior to using or distributing any applications that include TI products, Designer will thoroughly test such applications and the functionality of such TI products as used in such applications.

TI's provision of technical, application or other design advice, quality characterization, reliability data or other services or information, including, but not limited to, reference designs and materials relating to evaluation modules, (collectively, "TI Resources") are intended to assist designers who are developing applications that incorporate TI products; by downloading, accessing or using TI Resources in any way, Designer (individually or, if Designer is acting on behalf of a company, Designer's company) agrees to use any particular TI Resource solely for this purpose and subject to the terms of this Notice.

TI's provision of TI Resources does not expand or otherwise alter TI's applicable published warranties or warranty disclaimers for TI products, and no additional obligations or liabilities arise from TI providing such TI Resources. TI reserves the right to make corrections, enhancements, improvements and other changes to its TI Resources. TI has not conducted any testing other than that specifically described in the published documentation for a particular TI Resource.

Designer is authorized to use, copy and modify any individual TI Resource only in connection with the development of applications that include the TI product(s) identified in such TI Resource. NO OTHER LICENSE, EXPRESS OR IMPLIED, BY ESTOPPEL OR OTHERWISE TO ANY OTHER TI INTELLECTUAL PROPERTY RIGHT, AND NO LICENSE TO ANY TECHNOLOGY OR INTELLECTUAL PROPERTY RIGHT OF TI OR ANY THIRD PARTY IS GRANTED HEREIN, including but not limited to any patent right, copyright, mask work right, or other intellectual property right relating to any combination, machine, or process in which TI products or services are used. Information regarding or referencing third-party products or services does not constitute a license to use such products or services, or a warranty or endorsement thereof. Use of TI Resources may require a license from a third party under the patents or other intellectual property of the third party, or a license from TI under the patents or other intellectual property of TI.

TI RESOURCES ARE PROVIDED "AS IS" AND WITH ALL FAULTS. TI DISCLAIMS ALL OTHER WARRANTIES OR REPRESENTATIONS, EXPRESS OR IMPLIED, REGARDING RESOURCES OR USE THEREOF, INCLUDING BUT NOT LIMITED TO ACCURACY OR COMPLETENESS, TITLE, ANY EPIDEMIC FAILURE WARRANTY AND ANY IMPLIED WARRANTIES OF MERCHANTABILITY, FITNESS FOR A PARTICULAR PURPOSE, AND NON-INFRINGEMENT OF ANY THIRD PARTY INTELLECTUAL PROPERTY RIGHTS. TI SHALL NOT BE LIABLE FOR AND SHALL NOT DEFEND OR INDEMNIFY DESIGNER AGAINST ANY CLAIM, INCLUDING BUT NOT LIMITED TO ANY INFRINGEMENT CLAIM THAT RELATES TO OR IS BASED ON ANY COMBINATION OF PRODUCTS EVEN IF DESCRIBED IN TI RESOURCES OR OTHERWISE. IN NO EVENT SHALL TI BE LIABLE FOR ANY ACTUAL, DIRECT, SPECIAL, COLLATERAL, INDIRECT, PUNITIVE, INCIDENTAL, CONSEQUENTIAL OR EXEMPLARY DAMAGES IN CONNECTION WITH OR ARISING OUT OF TI RESOURCES OR USE THEREOF, AND REGARDLESS OF WHETHER TI HAS BEEN ADVISED OF THE POSSIBILITY OF SUCH DAMAGES.

Unless TI has explicitly designated an individual product as meeting the requirements of a particular industry standard (e.g., ISO/TS 16949 and ISO 26262), TI is not responsible for any failure to meet such industry standard requirements.

Where TI specifically promotes products as facilitating functional safety or as compliant with industry functional safety standards, such products are intended to help enable customers to design and create their own applications that meet applicable functional safety standards and requirements. Using products in an application does not by itself establish any safety features in the application. Designers must ensure compliance with safety-related requirements and standards applicable to their applications. Designer may not use any TI products in life-critical medical equipment unless authorized officers of the parties have executed a special contract specifically governing such use. Life-critical medical equipment is medical equipment where failure of such equipment would cause serious bodily injury or death (e.g., life support, pacemakers, defibrillators, heart pumps, neurostimulators, and implantables). Such equipment includes, without limitation, all medical devices identified by the U.S. Food and Drug Administration as Class III devices and equivalent classifications outside the U.S.

TI may expressly designate certain products as completing a particular qualification (e.g., Q100, Military Grade, or Enhanced Product). Designers agree that it has the necessary expertise to select the product with the appropriate qualification designation for their applications and that proper product selection is at Designers' own risk. Designers are solely responsible for compliance with all legal and regulatory requirements in connection with such selection.

Designer will fully indemnify TI and its representatives against any damages, costs, losses, and/or liabilities arising out of Designer's non-compliance with the terms and provisions of this Notice.