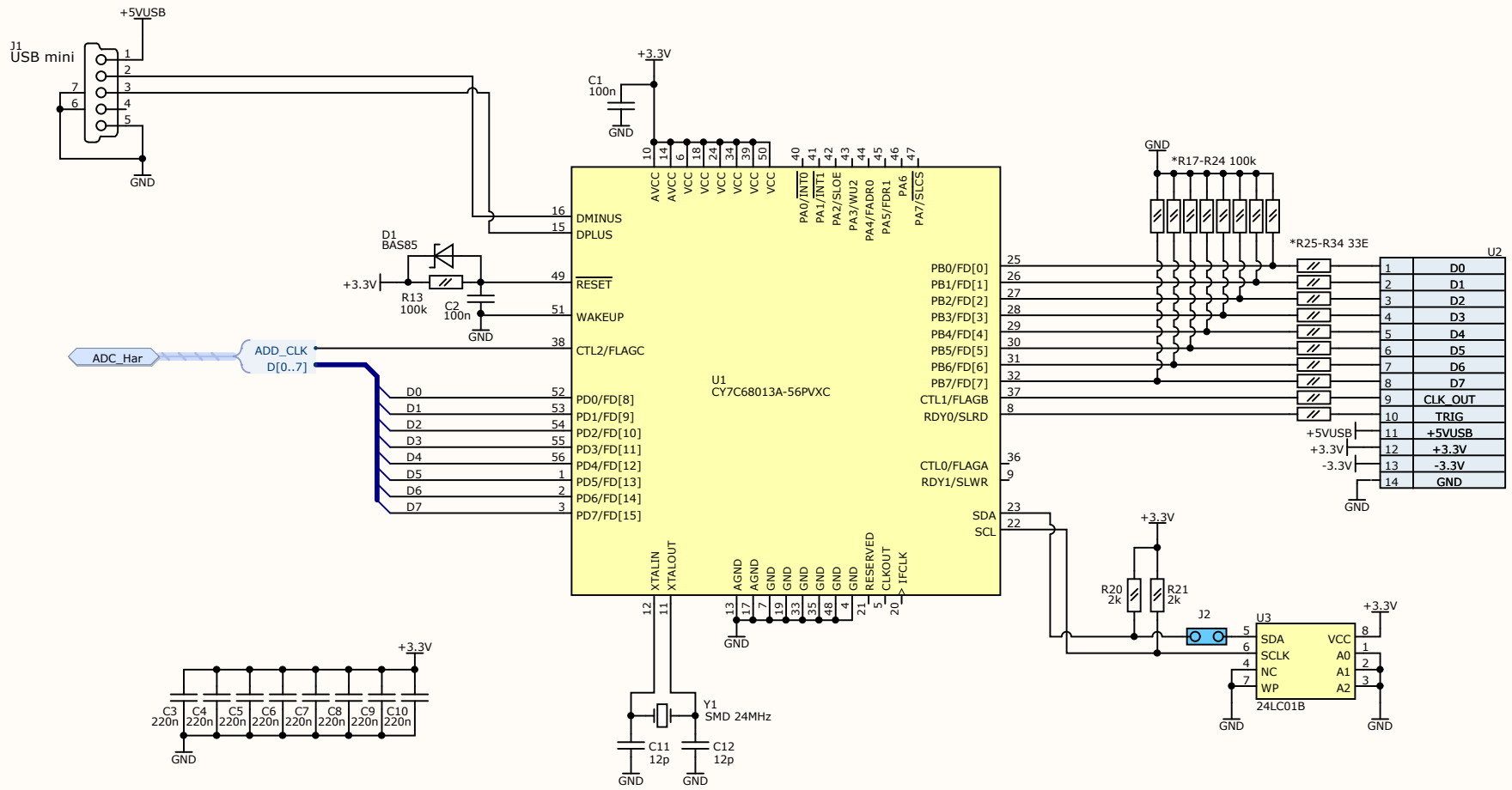


Title: <b>Logic Analyzer</b>		Detail: <b>General</b>		
Size: A4	E-mail: 0x22@mail.ru	Revision:		
Date: 29.09.2010	Time: 12:52:45	Sheet of		
File: C:\Orion\BLACKBIRD\General.SchDoc				



Title: <b>Logic Analyzer</b>		Detail: <b>CPU</b>	
Size: A4	E-mail: 0x22@mail.ru	Revision:	
Date: 29.09.2010	Time: 12:52:46	Sheet of	
File: C:\Orion\BLACKBIRD\Digital_Part.SchDoc			



1

2

3

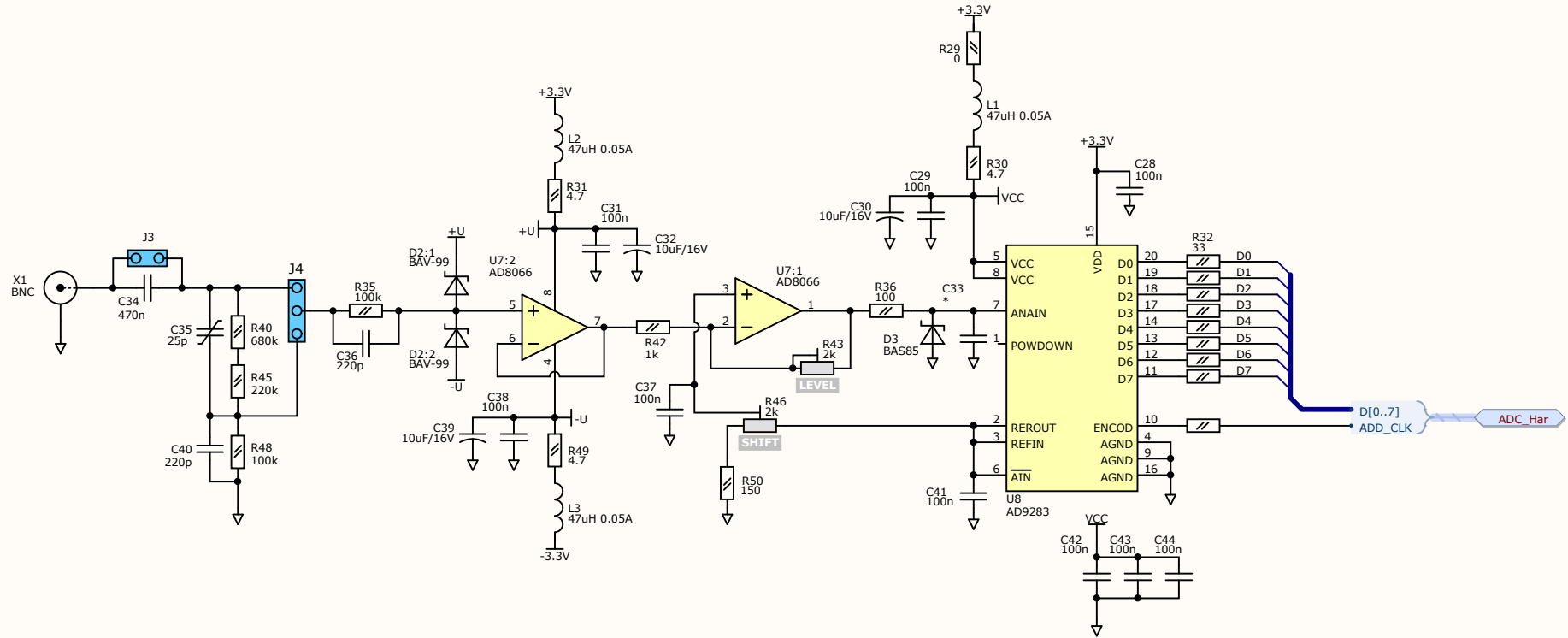
4

1

2

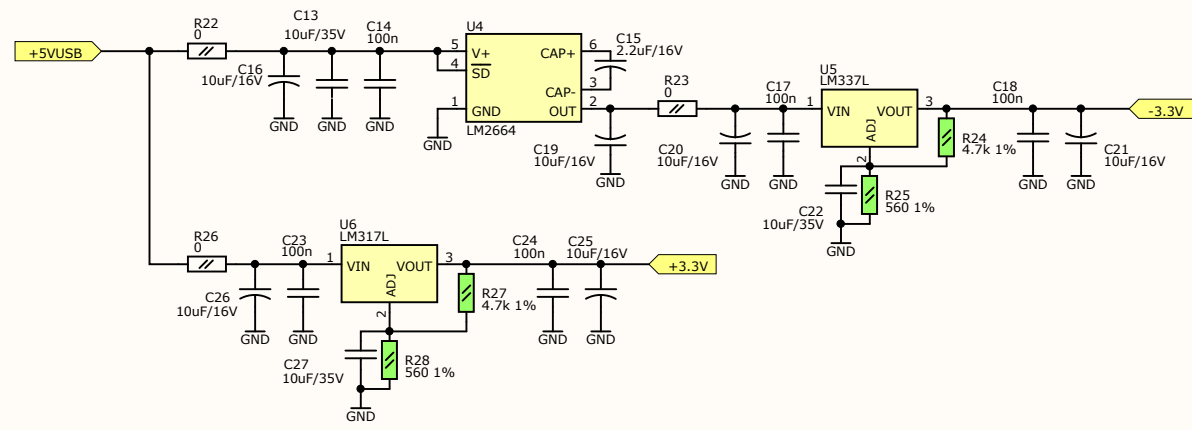
3

4



Title: <b>Logic Analyzer</b>		Detail: <b>ADC</b>	
Size: A4	E-mail: 0x22@mail.ru	Revision:	
Date: 29.09.2010	Time: 12:52:47	Sheet of	
File: C:\Orion\BLACKBIRD\ADC_Part.SchDoc			





Title: <b>Logic Analyzer</b>		Detail: <b>POWER</b>		
Size: A4	E-mail: 0x22@mail.ru	Revision:		
Date: 29.09.2010	Time: 12:52:48	Sheet of		
File: C:\Orion\BLACKBIRD\Power_Part.SchDoc				