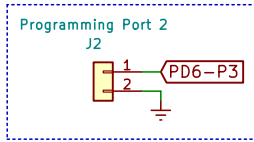
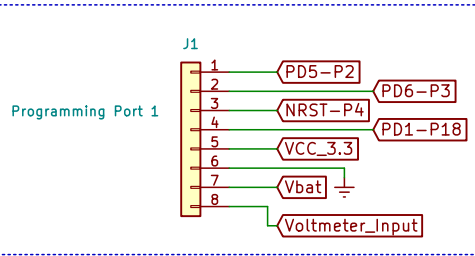
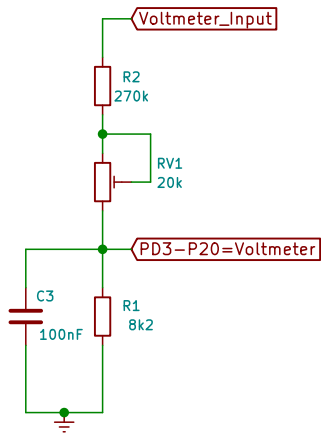


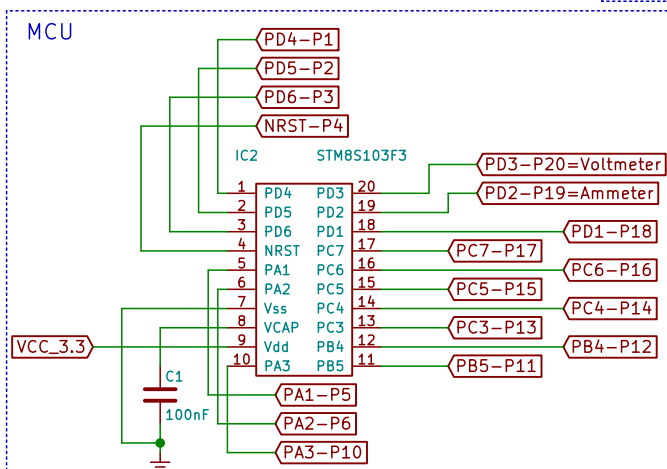
# DSN-VC288 Volt/Current Meter



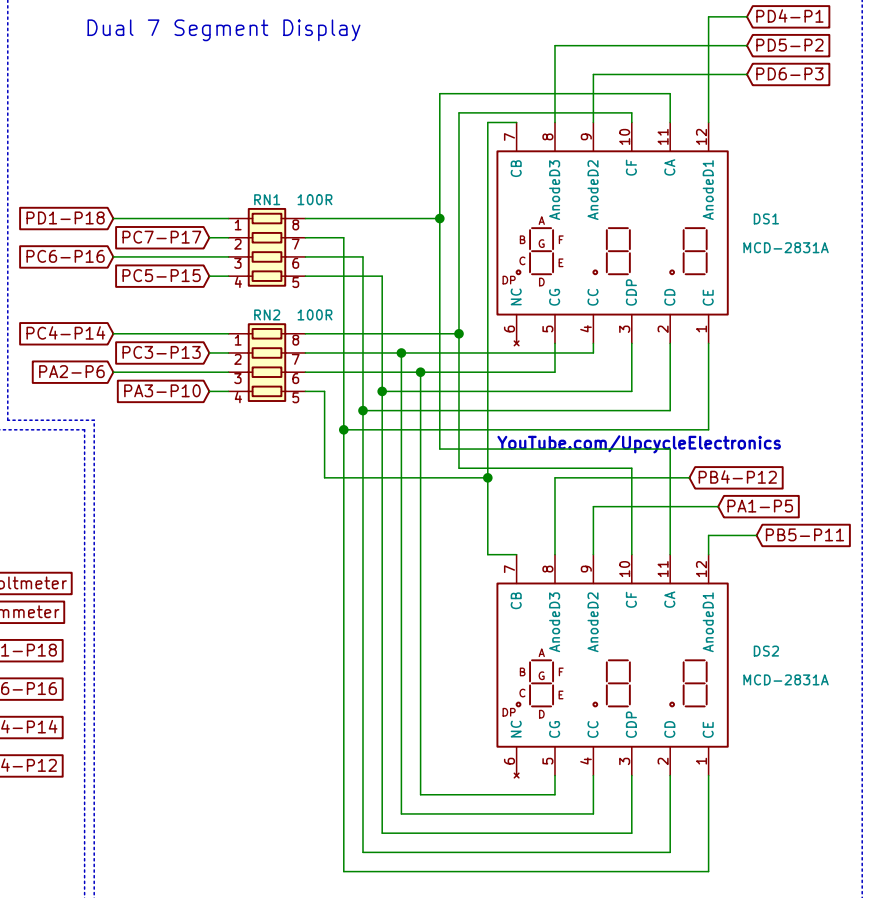
## Voltmeter Input Divider



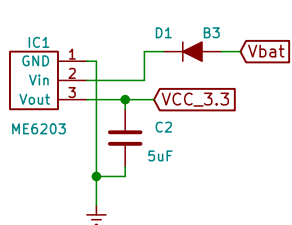
## MCU



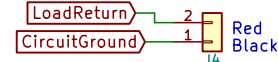
## Dual 7 Segment Display



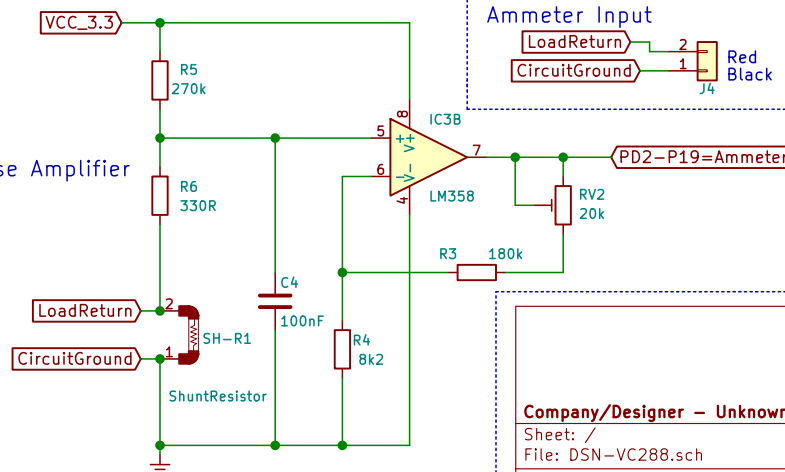
## 3.3 Volt Regulator



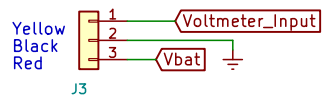
## Ammeter Input



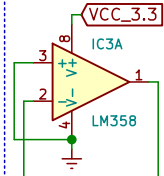
## Ammeter Sense Amplifier



## Power/Voltmeter Input



## Unused



Company/Designer - Unknown

Sheet: /  
File: DSN-VC288.sch

Title: Reverse Traced by Jake // YouTube.com/UpcycleElectronics

Size: User Date: 2018-03-21  
KiCad E.D.A. kicad 4.0.7-e2-637658ubuntu16.04.1

Rev: v2.0  
Id: 1/1