

# SERVICE MANUAL

## 17" LCD Monitor

### HP Compaq



L1702 Model



F7317 Model

THESE DOCUMENTS ARE FOR REPAIR SERVICE INFORMATION ONLY. EVERY REASONABLE EFFORT HAS BEEN MADE TO ENSURE THE ACCURACY OF THIS MANUAL; WE CANNOT GUARANTEE THE ACCURACY OF THIS INFORMATION AFTER THE DATE OF PUBLICATION AND DISCLAIMS RELIABILITY FOR CHANGES, ERRORS OR OMISSIONS.

MANUFACTURE DATA : **Jan-12-2004**

Update DATA: **Jun-10-2004**

## Table of Contents

Table of Contents	02
Revision List	04
1. Configurations	05
2. Product Feature	05
3. LCD Monitor Description	06
4. Operation Instructions	07
4.1 General Instructions	07
4.2 Control Button	07
4.3 Adjusting The Picture	08
5. Input/Output Specification	09
5.1 Input Signal Connector	09
5.1.1 Analog D-SUB Connector	09
5.2 Factory Preset Display Modes	10
5.3 Power Supply Requirements	10
5.3.1 Input/Output Requirements	10
5.3.2 Inverter Max Brightness	11
5.3.3 Inverter Min Brightness	11
5.4 Panel Specification (AU EN05/QDI L07/Hydis E13-100/LG E01)	12
5.4.1 Panel Feature	12
5.4.2 Display Characteristics	13
5.4.3 Optical Characteristics	15
5.4.4 Parameter guide line for CCFL Inverter	19
6. Block Diagram	20

6.1 Monitor Exploded View	-----20
6.2 Software Flow Chart	-----22
6.3 Electrical Block Diagram	-----23
6.3.1 Scalar Board	-----23
6.3.2 Inverter/Power Board	-----24
7. Schematic	-----26
7.1 Scalar Board	-----26
7.2 Inverter/Power Board	-----29
7.3 Key Pad Board	-----31
7.4 Audio Board	-----32
8. PCB Layout	-----33
8.1 Main Board	-----33
8.2 Inverter/Power Board	-----34
8.3 Keypad Board	-----36
8.4 Audio Board	-----37
9. Maintainability	-----37
9.1 Equipments and Tools Requirements	-----37
9.2 Trouble Shooting	-----38
9.2.1 Main Board	-----38
9.2.2 Power/Inverter Board	-----39
9.2.3 Key Pad Board	-----41
10. White-Balance, Luminance Adjustment	-----42
11. EDID Content	-----43
12. BOM List	-----44~143



## 1.CONFIGURATIONS

The configurations information in this section is provided for reference only. Consult the SKU Matrix for each kit (typically a boxed monitor assembly with cushions, power cord, etc.)

MODEL	BRANDING	COLORS	SPEAKERS	BEZEL	EDID #
FP7317	Compaq Consumer	Compaq Silver Carbon	Yes	FP7317	CPQ 145B
F1723	HP Consumer	Platinum Blue Dusk Lake	Yes	f1723	HWP 2609
VF17	HP CTO	Platinum Blue Dusk Lake	No	vf17	HWP 260A
FP17	Compaq CTO	Compaq Silver Carbon	No	FP17	CPQ 145E
L1702	HP Commercial	Compaq Silver Carbonite	No	1702	HWP 2601
L1702m	HP Commercial	Compaq Silver Carbonite	Yes	1702m	HWP 2601
L1702C	HP Commercial	Carbonite	No	1702	HWP 2601

## 2. PRODUCT FEATURE

43.2cm(17") a-si TFT Active matrix LCD panel, 0.264mm dot pitch

Scalar chipset MST9151B

16 factory presets, 20 new modes

Vertical refresh rate 55Hz to 75Hz; Horizontal frequency 30kHz to 83kHz

Power Internal AC 100V-240V(+/-10%)

Tilt -5 ° to 20 °

CE mark

TCO 99 mark

VESA DPMS compliant

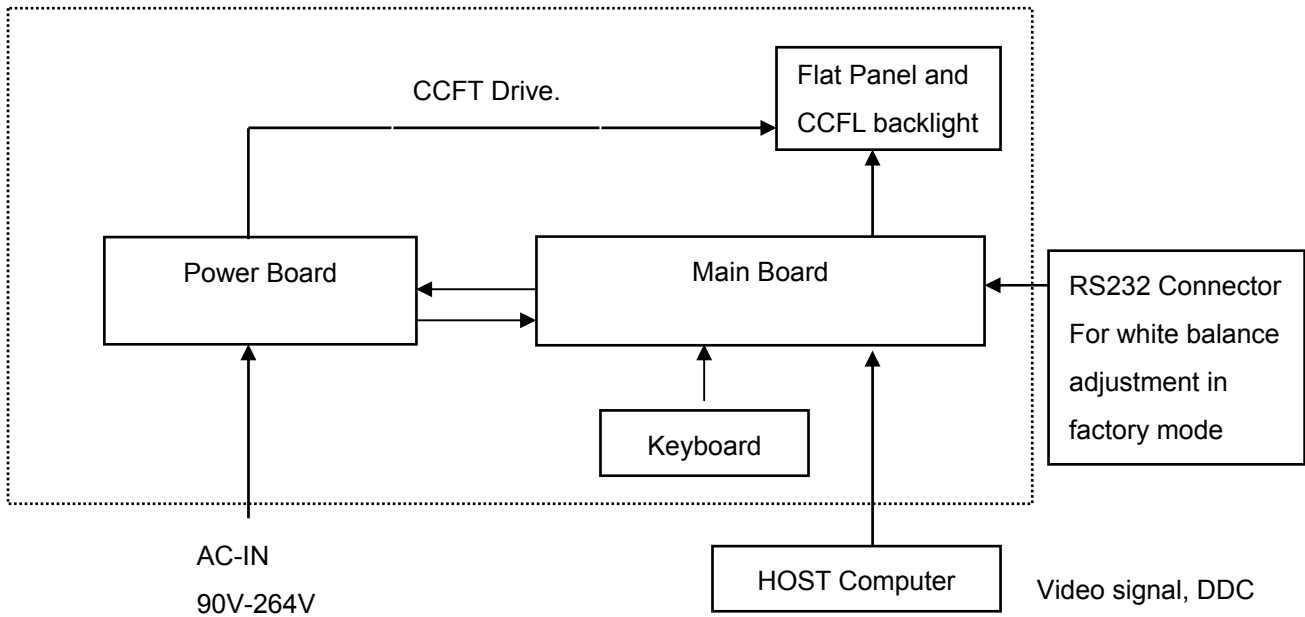
VESA DDC2B compliant

### 3. LCD MONITOR DESCRIPTION

The LCD Monitor will contain main board, power board, key board and which house the flat panel control logic, brightness control logic and DDC.

The power board will provide AC to DC Inverter voltage to drive the backlight of panel and the main board chips each voltage.

Monitor Block Diagram



## 4. OPERATION INSTRUCTIONS

### 4.1 General Instructions

Press the power button to turn the monitor on or off. The other control buttons are located at front panel of the monitor. By changing these settings, the picture can be adjusted to your personal performance.

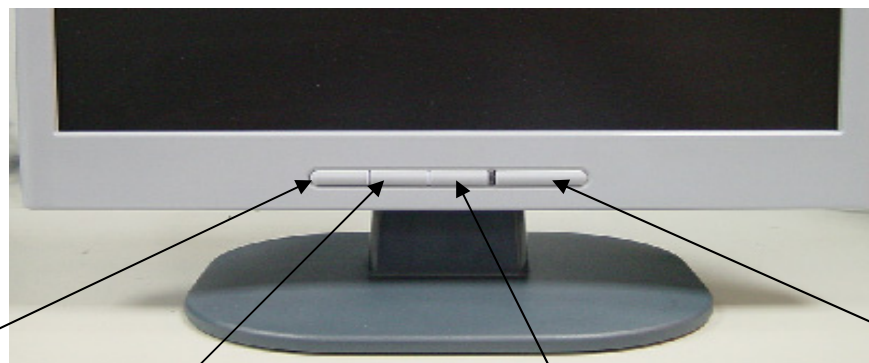
- The power cord should be connected and insert to adaptor.
- Connect the video cable from the monitor to the computer VGA card.
- Press the power button to turn on the monitor, the power indicator will light up to Green.

### 4.2 Control Buttons

- **Power Button:**  
When pressed, the monitor enters the off mode, and the LED turns blank. Press again to restore normal status.
- **(Down/ Auto) and + (Up) Button:**  
The -/+ Button is browse OSD key. Press a select into adjustment.  
The Auto Adjust Key is used to automatically set the H Position, V Position, Clock and Phase.
- **Select Key:**  
Select key is into OSD sub-menu hot key when OSD turn on.
- **Power Indicator:**  
Green — Power On mode.  
Amber — Power Saving mode.  
Blank — Power Off Mode.

### CONTROL BUTTONS

Model:  
L1702



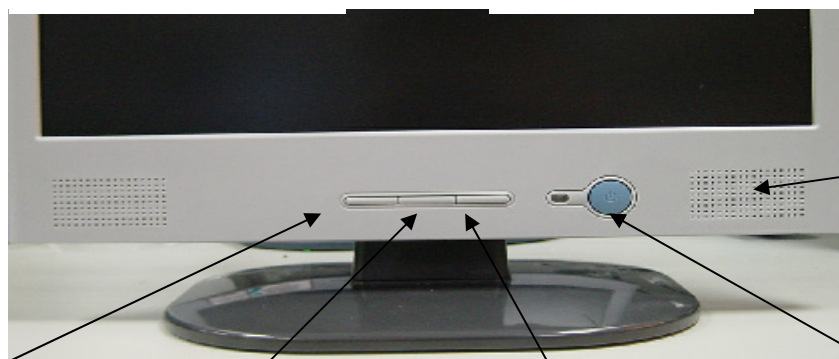
Select Button

Down / Auto Button

Up Button

On/Off Switch

Model:  
F7317



Speaker

Select Button









Down / Auto Button

Up Button

On/Off Switch

4.3 Adjust The Picture



1.		Brightness	Adjust the brightness.
2.		Contrast	Adjust the contrast
3.		Image Control	Adjust the: <ul style="list-style-type: none"> <li>● Auto Adjustment: Adjusts the main settings and produces a stable, centered image.</li> <li>● H-Position: horizontal position of the screen image.</li> <li>● V-Position: vertical position of the screen image.</li> <li>● Clock: frequency of the pixel clock to minimize vertical bar.</li> <li>● Phase: phase value to minimize horizontal jitters.</li> </ul>
3.		Color	<ul style="list-style-type: none"> <li>● 9300K: recall 9300K color</li> <li>● 6500K-sRGB: recall 6500K sRGB color</li> <li>● Custom Color: adjusts the color tint of white, and the red, green, and blue (RGB) mix for colors.</li> </ul>
4.		Language	Shows the language of the OSD window.
5.		Management	<ul style="list-style-type: none"> <li>● Power Saver: enable/disable power saving</li> <li>● Power On Recall: enable/disable power recall</li> <li>● Mode Display: enable/disable mode display</li> <li>● Sleep Timer: set sleep timer</li> <li>● Basic Menu: set to basic menu</li> </ul>
6.		OSD Control	OSD (on Screen Display) settings: adjusts the H/V position, timeout, On Screen Display window.
7.		Factory Reset	Resets the display to original factory settings for color, brightness, phase, and clock.
8.		Exit	Closes the OSD window.



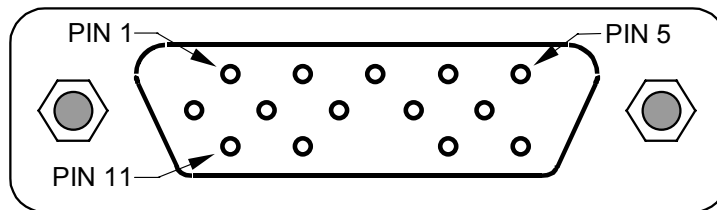
5. Input/Output Specification

5.1 Input Signal Connector

5.1.1 Analog D-SUB Connector

PIN	MNEMONIC	SIGNAL
1	RV	Red Video
2	GV	Green Video
3	BV	Blue Video
4	NC	None
5	GND	Ground (DDC Return)
6	RG	Red GND
7	GG	Green GND
8	BG	Blue GND
9	+5 V	+5 V (from PC)
10	SG	Sync Ground
11	NC	None
12	SDA	DDC Data
13	HS	Horizontal Sync
14	VS	Vertical Sync
15	SCL	DDC Clock

VGA connector layout



## 5.2 Factory Preset Display Modes

Preset	Pixel Format	Horz Freq (KHz)	Horz Polarity	Vert Freq (Hz)	Vert Polarity	Pixel Clk (MHz)	Source
1	640 x 480	31.469	-	59.940	-	25.175	VGA
2	640 x 480	37.861	-	72.809	-	31.500	VESA
3	640 x 480	37.500	-	75.000	-	31.500	VESA
4	720 x 400	31.469	-	70.087	+	28.322	VGA
5	800 x 600	37.879	+	60.317	+	40.000	VESA
6	800 x 600	48.077	+	72.188	+	50.000	VESA
7	800 x 600	46.875	+	75.000	+	49.500	VESA
8	832 x 624	49.726	±	74.551	±	57.284	MAC
9	1024 x 768	48.363	-	60.004	-	65.000	VESA
10	1024 x 768	56.476	-	70.069	-	75.000	VESA
11	1024 x 768	60.023	+	75.029	+	78.750	VESA
12	1152 x 870	68.68	-	75.06	-	100.000	Mac
13	1152 x 900	71.71	-	76.05	-	105.561	Sun
14	1280 x 1024	63.98	+	60.02	+	108.000	VESA
15	1280 x 1024	79.97	+	75.02	+	135.000	VESA

## 5.3 Power Supply Requirements

### 5.3.1 Input / Output Requirements

PARAMETER	RANGE
AC Input Voltage	90 to 264V
AC Input Frequency	47 to 63 Hz
AC Input Current	1.5A MAX
Inrush Current	60A MAX AT 264VAC COLD START
Leakage Current	3.5 mA MAX and less than 0.25mA at 100Vac
Output voltage / current	12V / 2.5A , 5V / 2A
Output power	45W Max
Efficiency	>80%
Saving Mode	<2W Max @5V/0.1A , 12V/0A

### 5.3.2 Inverter Max Brightness

(Vadj:4.5v), LOAD=100KΩX4 (ROOM TEMPERATURE 25°C ±4°C)

#### PWPC1742AUH1

ITEM	SYMBOL	MIN.	TYP.	MAX.	UNIT	REMARK
Input voltage	Vin	10.8	12	13.2	V	---
Input current	Iin	---	2250	2500	mA	FOR 4 LOAD
Output Current	Iout	13.5	14.0	14.5	mA	FOR 1 LOAD
Frequency	F	50	55	60	KHZ	FOR 1 LOAD
H.V Load	Vload	600	700	800	Vrms	RL=100KΩ
Start voltage	Vst	1450	1700	1800	Vrms	RL=CCFL
Protect delay time	PDT	---	1		Sec	---

#### PWPC1742QDH1

ITEM	SYMBOL	MIN.	TYP.	MAX.	UNIT	REMARK
Input voltage	Vin	10.8	12	13.2	V	
Input current	Iin		2250	2500	mA	FOR 4 LOAD
Output Current	Iout	6.5	7.0	7.5	mA	FOR 1 LOAD
Frequency	F	50	55	60	KHZ	FOR 1 LOAD
H.V Load	Vload	625	725	825	Vrms	RL=100KΩ
Start voltage	Vst	1450	1700	1800	Vrms	RL=CCFL
Protect delay time	PDT		1		Sec	

### 5.3.3 Inverter Min Brightness

(Vadj:0.0v), LOAD=100KΩX4 (ROOM TEMPERATURE 25°C ±4°C)

#### PWPC1742AUH1

ITEM	SYMBOL	MIN.	TYP.	MAX.	UNIT	REMARK
Input voltage	Vin	10.8	12	13.2	V	
Input current	Iin		700	900	mA	FOR 4 LOAD
Output Current	Iout	3.0	3.5	4.0	mA	FOR 1 LOAD
Frequency	F	---	---	---	KHZ	---
Start voltage	Vst	---	---	---	Vrms	---
H.V Load	Vload	---	---	---	Vrms	RL=100KΩ

**PWPC1742QDH1**

ITEM	SYMBOL	MIN.	TYP.	MAX.	UNIT	REMARK
Input Voltage	Vin	10.8	12	13.2	V	
Input Current	Iin		700	900	mA	FOR 4 LOAD
Output Current	Iout	3.0	3.5	4.0	mA	FOR 1 LOAD
Frequency	F	---	---	---	KHZ	
Start Voltage	Vst	---	---	---	Vrms	
H.V Load	Vload	---	---	---	Vrms	RL=100KΩ

**5.4 PANEL SPECIFICATION (AU EN05/ QDI L07/ Hydix E13-100/LG E01)**

**5.4.1 Panel Feature**

**AU EN05**

- This specification applies to the 17.0 inch Color TFT-LCD Module M170EN05
- The display supports the SXGA (1280(H) x 1024(V)) screen format and 262k colors(RGB 6-bits data)
- All input signals are 2 Channel LVDS interface compatible
- This module does not contain an inverter card for backlight

**QDI L07**

- High aperture panel; high-brightness or low power consumption
- Brilliant and high contrast image
- Small footprint and thin shape
- SXGA resolution
- LVDS interface
- Low power consumption
- Wide viewing angle

**Hydix E13-100**

- LVDS interface with 2 pixels / clock
- High-speed response
- Lower power consumption
- 6 bits(FRC) colors, display 16,194,227
- Incorporated edge type back-light(Four lamps)
- High luminance and contrast ratio, Low reflection and wide viewing angle
- DE(Data Enable) & H-Sync & V-Sync mode

**LG E01**

- This TFT-LCD has a 17.0 inch diagonal measured display area with SXGA resolution(1024 vertical by 1280 horizontal pixel array)
- 8-bit gray scale signal for each dot, thus, presenting a palette of more than 16.2M colors with FRC.
- Low power, high speed ,low EMI.
- Thin thickness, wide viewing angle, lower power are critical factors and graphic displays.

## 5.4.2 Display Characteristics

## AU EN05

ITEM	UNIT	SPECIFICATIONS
Screen Diagonal	[mm]	432(17.0")
Active Area	[mm]	337.920(H) x 270.336(V)
Pixel Pitch H x V		1280(x3) x 1024
Pixel Arrangement	[mm]	0.264(per one triad) x 0.264
Display Mode		R.G.B Vertical Stripe
White Luminance (Center)	[cd/m <sup>2</sup> ]	260 cd/m <sup>2</sup> @7mA (Typ)
Contrast Ratio		450:1(Typ)
Optical Response Time	[msec]	16(Typ)
Color saturation		72% NTSC
Nominal input Voltage VDD	[Volt]	+5.0V
Power consumption (VDD line + CCFL line)	[Watt]	25W (Typ.) (w/o Inverter, All white pattern)
Weight	[Grams]	2000(Typ)
Physical Size	[mm]	358.5(W) x 296.5(H) x 19.0(D)(Typ)
Electrical Interface		Even/Odd R/G/B data, 3 sync signal clock
Support Color		262K colors (RGB 6-bit data)
Temperature Range	[°C]	0 to +50
Operating Storage (Shopping )	[°C]	-20 to +60

## QDI L07

PARAMETER	SPECIFICATION	UNIT
Display Size	43(17") Diagonal	cm
Active area	337.9(H) x 270.3(V)	mm
Pixel format	1280(H) x 1024(V)	pixel
	(1 Pixel=R+G+B dots)	
Pixel pitch	0.264(H) x 0.264(V)	mm
Pixel configuration	R, G, B vertical stripe	
Display mode	Normally White	
Unit outline dimensions (typ.)*1	358.5 x 296.5x 16.5	mm
weight	1970(Max.)	g
Surface treatment	Anti-glare and hard-coating 3H Low reflection (~ 5%)	
Lamp Quantity	4	pcs

1.Note: Excluding backlight cables.

**Hydis E13-100**

Parameter	Specification	Unit	
Active area	337.92(H) x 270.336(V)	mm	
Number of pixels	1280(H) x 1024(V)	pixels	
Pixel pitch	0.264(H) x 0.264(V)	mm	
Pixel arrangement	RGB Vertical stripe		
Display colors	16,194,227	colors	
Display mode	Normally White		
Dimensional outline	358.5(H)x 296.5(V)x 17.0(D)typ.	mm	
Weight	1900 max	gram	
Back-light	Top/Bottom edge side 4-CCFL type		Note1

**LG E01**

Active screen size	17.0 inch (43.27cm)diagonal
Outline Dimension	358.5(H)x296.5(V)x17.0(D)mm(Typ.)
Pixel Pitch	0.264mm x 0.264mm
Pixel Format	1280(H)x 1024(V)Pixels. RGB stripe arrangement
Display colors	16.2M colors
Luminance, white	250cd/m <sup>2</sup> (Typ. Center 1 point)
Power Consumption	19.05 Watts(Typ.)
Weight	1890g(Typ.)
Display operating mode	Transmissive mode, normally white
Surface treatments	Hard coating(3H),Anti-glare treatment of the front polarizer

5.4.3 Optical Characteristics

QDI L07

Parameter		Symbol	Condition	Min	Typ.	Max.	Unit	Remark
Viewing angle range	Horizontal	$\theta_{21}, \theta_{22}$	CR>10	65	75		Deg	Note1,4
	Vertical	$\theta_{11}$		55	65		Deg	
		$\theta_{12}$		50	60		Deg	
	Horizontal	$\theta_{21}, \theta_{22}$	CR>5		85		Deg	
	Vertical	$\theta_{11}$			75		Deg	
		$\theta_{12}$			70		Deg	
Contrast ratio		CR	$\theta=0^\circ$	300	450	—		Note2, 4
Response time		t	$\theta=0^\circ$	—	20		ms	Note3, 4
Rise time	tr				4		ms	
Fall time	td				16		ms	
Chromaticity of White(CIE 1931)		Wx		0.283	0.313	0.343		Note4
		Wy		0.299	0.329	0.359		
Chromaticity of Red(CIE 1931)		Rx		0.603	0.633	0.663		
		Ry		0.306	0.336	0.366		
Chromaticity of Green(CIE 1931)		Gx		0.270	0.300	0.330		
		Gy		0.556	0.586	0.616		
Chromaticity of Blue(CIE 1931)		Bx		0.116	0.146	0.176		
		By		0.073	0.103	0.133		
Luminance of white Note 4[Note 4]		YL		240	300		cd/m <sup>2</sup>	IL=7.0 mArms
White Uniformity		$\delta w$		—	1.25	1.33		Note5
Cross talk						1.50%		Note6

## AU EN05

The optical characteristics are measured under stable conditions at 25°C (Room Temperature):

ITEM	UNIT	CONDITIONS	MIN	TYP.	MAX.
Viewing Angle	[degree]	Horizontal(Right)	60	70	–
	[degree]	CR=10(Left)	60	70	–
	[degree]	Vertical(Up)	60	70	–
	[degree]	CR=10(Down)	60	70	–
	[degree]	Horizontal(Right)	70	80	–
	[degree]	CR=5(Left)	70	80	–
	[degree]	Vertical(Up)	70	80	–
	[degree]	CR=5(Down)	70	80	–
Contrast ratio		Normal Direction	250	450	–
Response Time (Note 1)	[m sec]	Raising Time	–	4	5
	[m sec]	Falling Time	–	12	20
	[m sec]	Raising +Falling	–	16	25
Color /Chromaticity Coordinates(CIE)		Red x	0.61	0.64	0.67
		Red y	0.31	0.34	0.37
		Green x	0.26	0.29	0.32
		Green y	0.58	0.61	0.64
		Blue x	0.11	0.14	0.17
		Blue y	0.04	0.07	0.10
Color Coordinates (CIE) White		White x	0.28	0.31	0.34
		White y	0.30	0.33	0.36
White Luminance @CCFL 7.0mA (center)	[cd/m <sup>2</sup> ]		200	260	–
Luminance Uniformity(Note 2)	[%]		75	80	–
TCO99 1.5.2B luminance uniformity (Note 3)					1.7
Crosstalk (in 75Hz)(Note 4)	[%]				1.5



Hydis E13-100

Parameter	Symbol	Condition	Min	Typ	Max	Unit	Remark
Viewing Angle	Horizontal	$\Theta_3$	70	75	-	Deg	Note 1
		$\Theta_9$	70	75	-	Deg	
	Vertical	$\Theta_{12}$	60	65	-	Deg	
		$\Theta_6$	60	65	-	Deg	
	Horizontal	$\Theta_3$			-	Deg	
		$\Theta_9$			-	Deg	
	Vertical	$\Theta_{12}$			-	Deg	
		$\Theta_6$			-	Deg	
Luminance contrast ratio	CR		350	450	-		Note 2
Luminance of white	$Y_W$		250	300	-	cd/m <sup>2</sup>	Note 3
White luminance uniformity	$\Delta Y$		75	80		%	Note 4
Reproduction of color	White	$W_x$	0.270	0.300	0.330		Note 5
		$W_y$	0.305	0.335	0.365		
	Red	$R_x$	0.607	0.637	0.667		
		$R_y$	0.317	0.347	0.377		
	Green	$G_x$	0.246	0.276	0.306		
		$G_y$	0.584	0.614	0.644		
	Blue	$B_x$	0.113	0.143	0.173		
		$B_y$	0.060	0.090	0.120		
Response time	Tr		-	-	16	msec	Note 6
	Td		-	-			
Cross talk	CT		-	-	2.0	%	Note 7

LG E01

Parameter	Symbol	Values			Units	Notes
		Min.	Typ.	Max.		
Contrast ratio	CR	300	450	-		1
Surface luminance, white	$L_{WH}$	200	250	-	cd/m <sup>2</sup>	2
Luminance uniformity	$\Delta L_5$	-	-	1.3		3
Response time	$T_r$		16	30	ms	4
Rise time	$T_{rR}$	-	2	6		
Decay time	$T_{rD}$	-	14	24		
CIE color coordinates						
Red	XR	0.611	0.641	0.671		
	YR	0.312	0.342	0.372		
Green	XG	0.262	0.292	0.322		
	YG	0.581	0.611	0.641		
Blue	XB	0.117	0.147	0.177		
	YB	0.038	0.068	0.098		
White	XW	0.283	0.313	0.343		
	YW	0.299	0.329	0.359		
Viewing angle (by CR $\geq 10$ )						
X axis, right( $\phi=0^\circ$ )	$\theta_r$	60	70	-	degree	5
X axis, left ( $\phi=180^\circ$ )	$\theta_l$	60	70	-		
Y axis, up ( $\phi=90^\circ$ )	$\theta_u$	50	60	-		
Y axis, down ( $\phi=270^\circ$ )	$\theta_d$	45	60	-		
Viewing angle (by CR $\geq 5$ )						
X axis, right( $\phi=0^\circ$ )	$\theta_r$	70	80	-	degree	
X axis, left ( $\phi=180^\circ$ )	$\theta_l$	70	80	-		
Y axis, up ( $\phi=90^\circ$ )	$\theta_u$	60	70	-		
Y axis, down ( $\phi=270^\circ$ )	$\theta_d$	55	70	-		
Relative brightness		-	-	-		6
Luminance uniformity (TCO99)				1.7		Figure 10

## 5.4.4 Parameter guide line for CCFL Inverter

## Back-Light Unit :

## AU EN05

SYMBOL	PARAMETER	MIN	TYP	MAX	UNITS	CONDITION
(L63)	White Luminance	200	260	–	[cd/m <sup>2</sup> ]	(Ta=25°C)
ISCFL	CCFL standard current	6.5	7.0	7.5	[mA] rms	(Ta=25°C)
IRCFL	CCFL operation range	3.0	7.0	7.5	[mA] rms	(Ta=25°C)
ICFL	CCFL Inrush current	–	26	34	[mA]	Note 1
fCFL	CCFL Frequency	40	50	80	[KHz]	(Ta=25°C) Note 2
ViCFL (0°C)	CCFL ignition Voltage	1700			[Volt] rms	(Ta=0°C) Note 3
ViCFL (25°C)	CCFL ignition Voltage	1200			[Volt] rms	(Ta=25°C) Note 3
TCFL	CCFL Dark start time			1.0	sec	(Ta=25°C)
VCFL	CCFL Discharge Voltage (Reference)		700	860	[Volt] rms	(Ta=25°C) Note 4
PCFL	CCFL Power consumption		19.6	25.8	[Watt]	(Ta=25°C) Note 4

## QDI L07

The backlight system is an edge-lighting type with 2- CCFL(Cold Cathode Fluorescent Lamp).

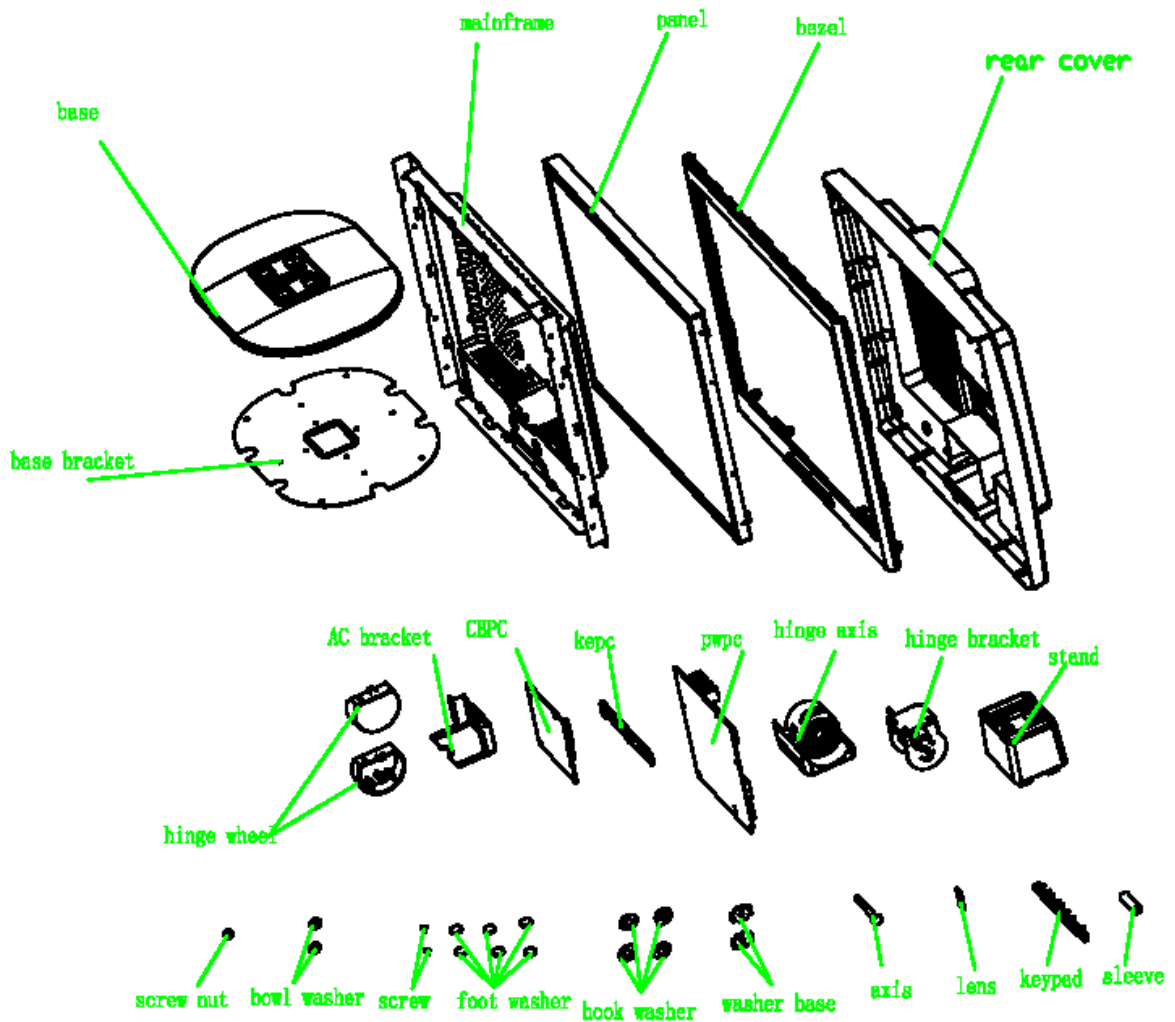
The characteristics of four lamps are shown in the following tables.

PARAMETER	SYMBOL	MIN	TYP	MAX	UNIT	REMARK
Lamp current range	IL	3.0	7.0	8.0	mArms	Note1
Lamp voltage	VL		725		Vrms	
Lamp power consumption	PL		5.1		W	Note2 IL=7.0mA
Lamp frequency	FL		52		kHz	Note3
Established starting voltage	Vs			1100	Vrms	Ta=25°C
				1420	Vrms	Ta=0°C
Lamp life time	LL	40000	50000		hour	Note5

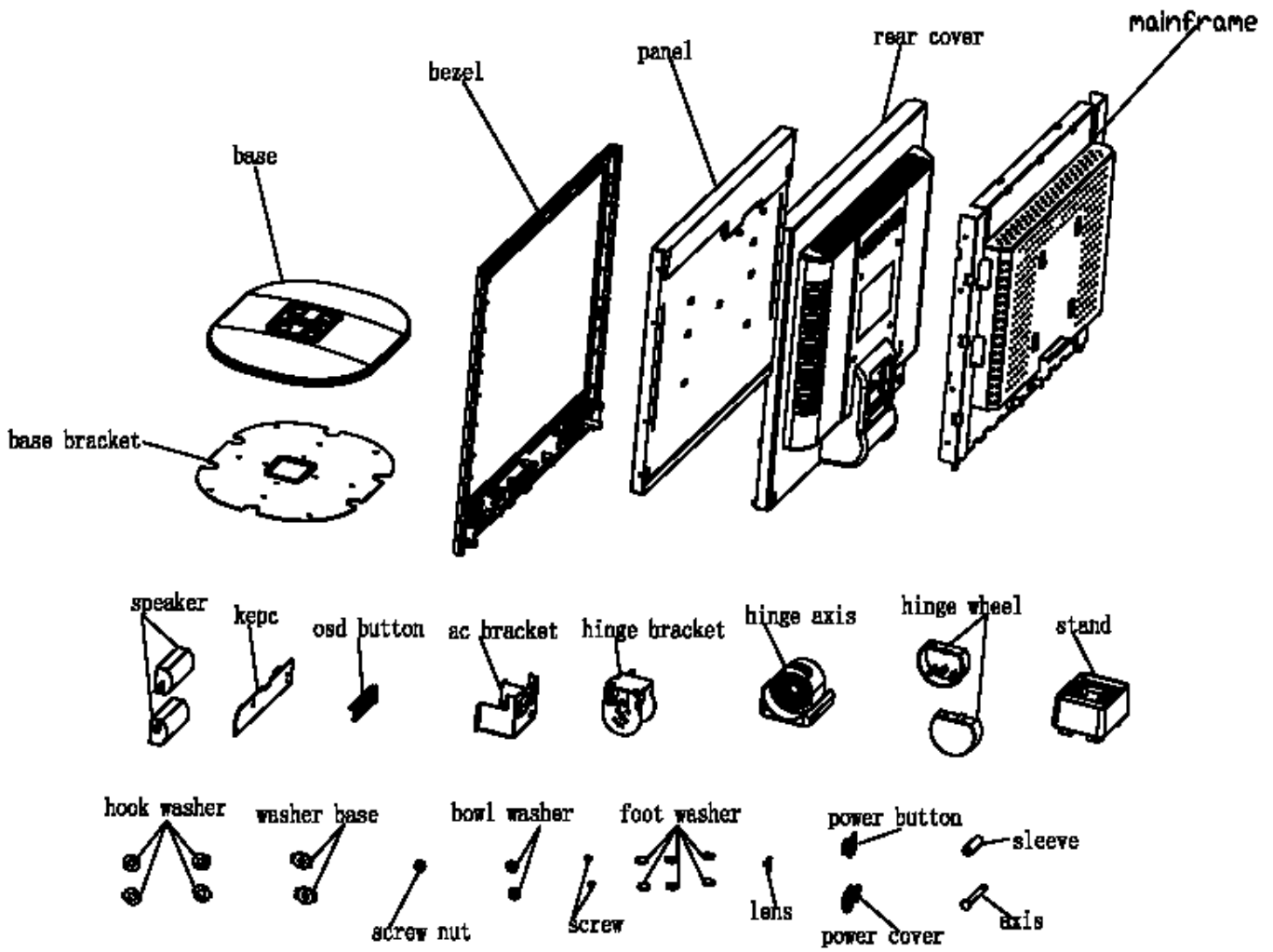
6. Block Diagram

6.1 Monitor Exploded View

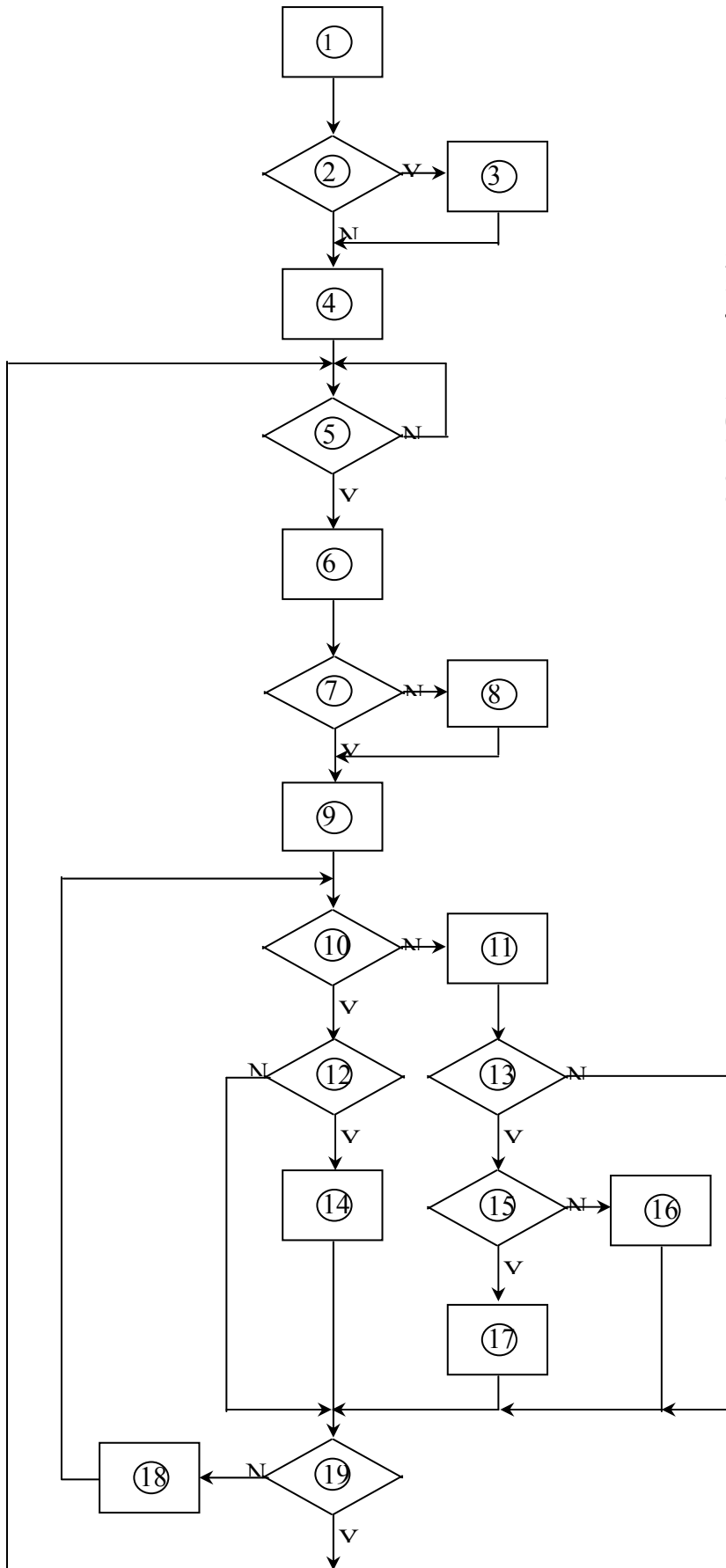
L1702 Model



F7317 Model



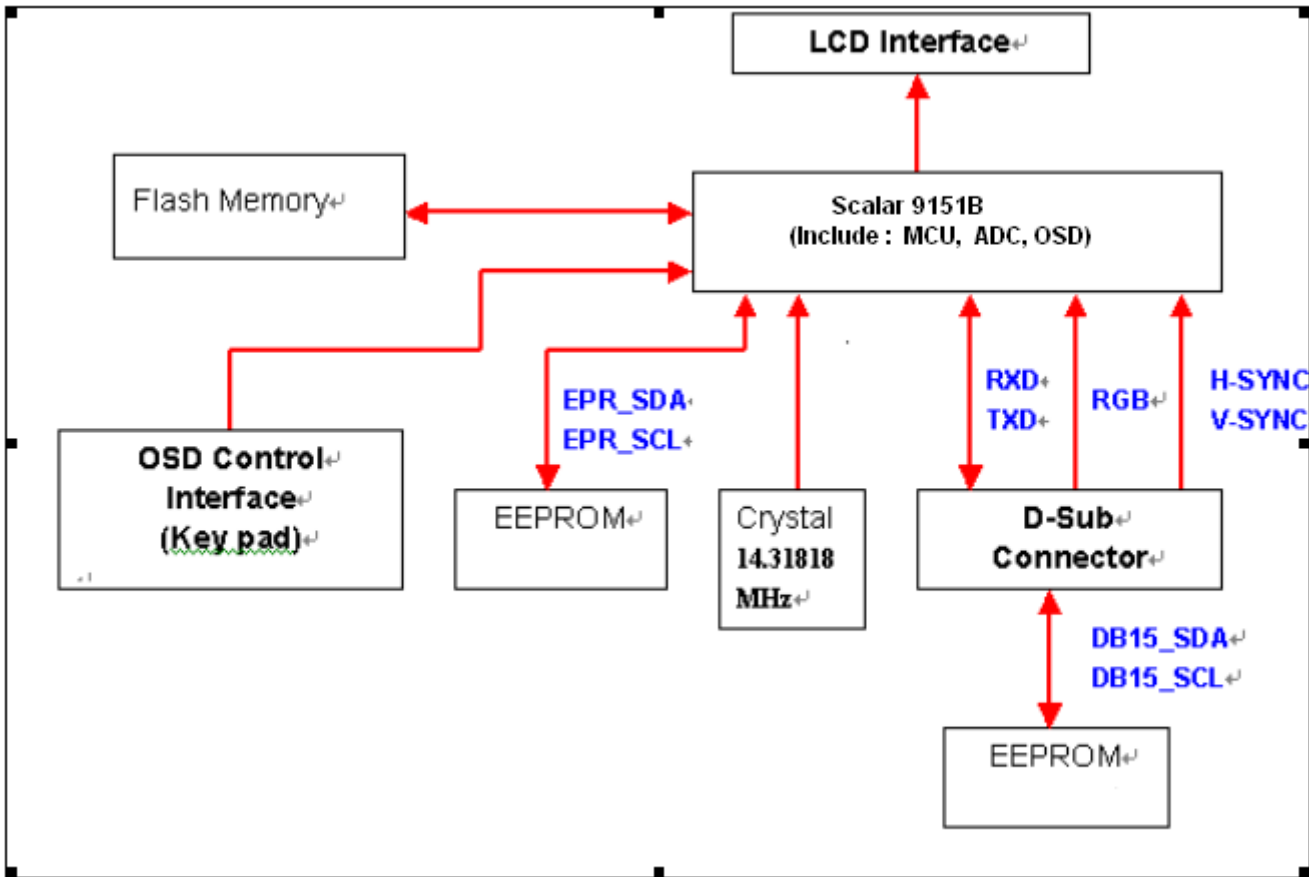
6.2 Software Flow Chart



- 1) MCU initialize.
- 2) Is the eeprom blank?
- 3) Program the eeprom by default values.
- 4) Get the PWM value of brightness from eeprom. Check the pin PANEL1 and PANEL2 to tell which panel to get with it.
- 5) Is the power key pressed?
- 6) Clear all global flags.
- 7) Are the AUTO and SELECT keys pressed?
- 8) Enter factory mode.
- 9) Saving the power key status into eeprom.  
Turn on the LED and set it to green color.
- Scalar initializes.
- 10) In standby mode?
- 11) Update the lifetime of back light.
- 12) Check the analog and digital port, are there any signals coming?
- 13) Does the scalar send out a interrupt request?
- 14) Wake up the scalar.
- 15) Are there any signals coming from analog or digital port?
- 16) Display " No Input Signal " message. And go into standby mode after the message disappear.
- 17) Program the scalar to be able to show the coming mode.
- 18) Process the OSD display.
- 19) Read the keyboard. Is the power key pressed?

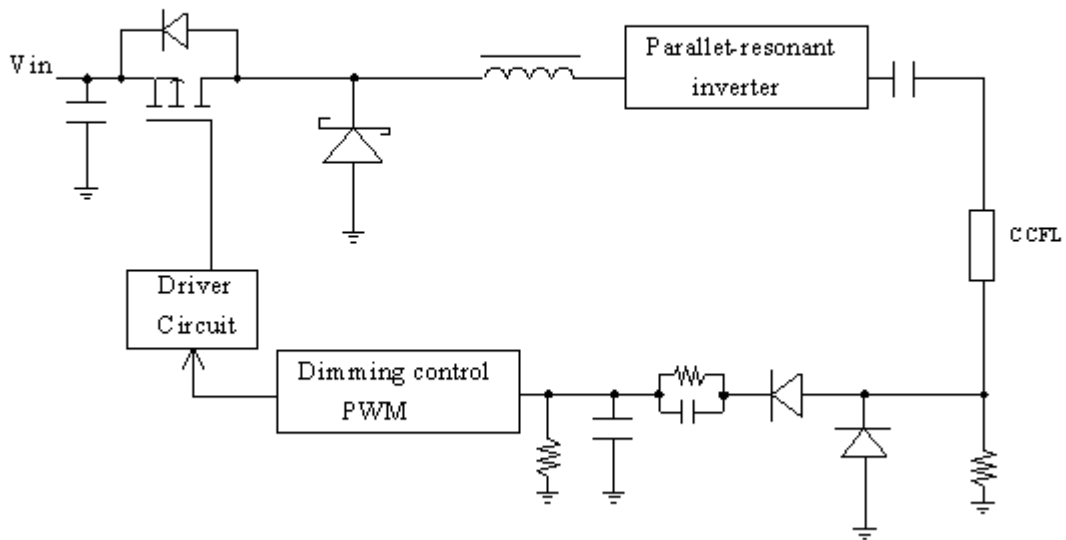
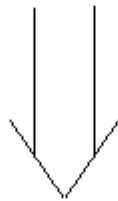
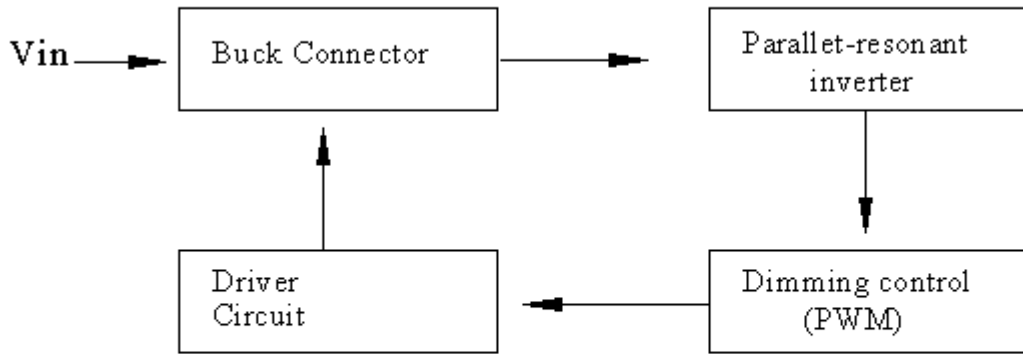
### 6.3 Electrical Block Diagram

#### 6.3.1 Scalar Board Block Diagram



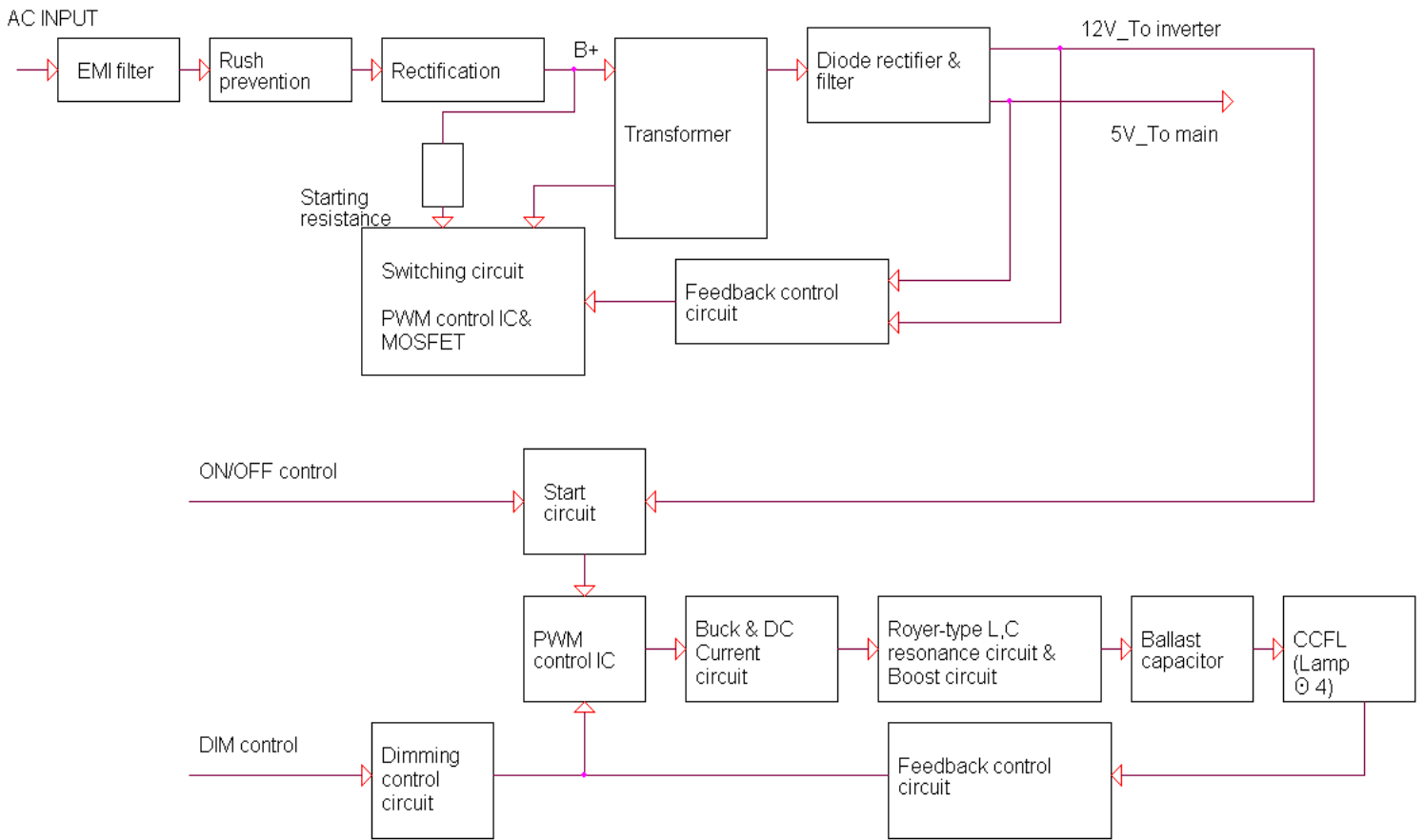
6.3.2 Inverter / Power Board Block Diagram

Inverter Block Diagram



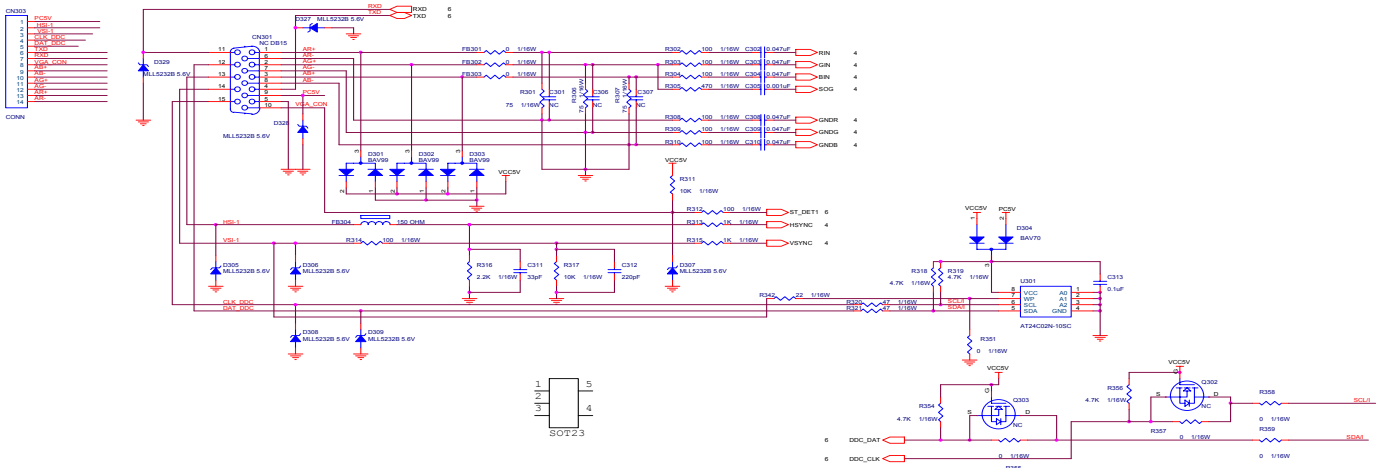
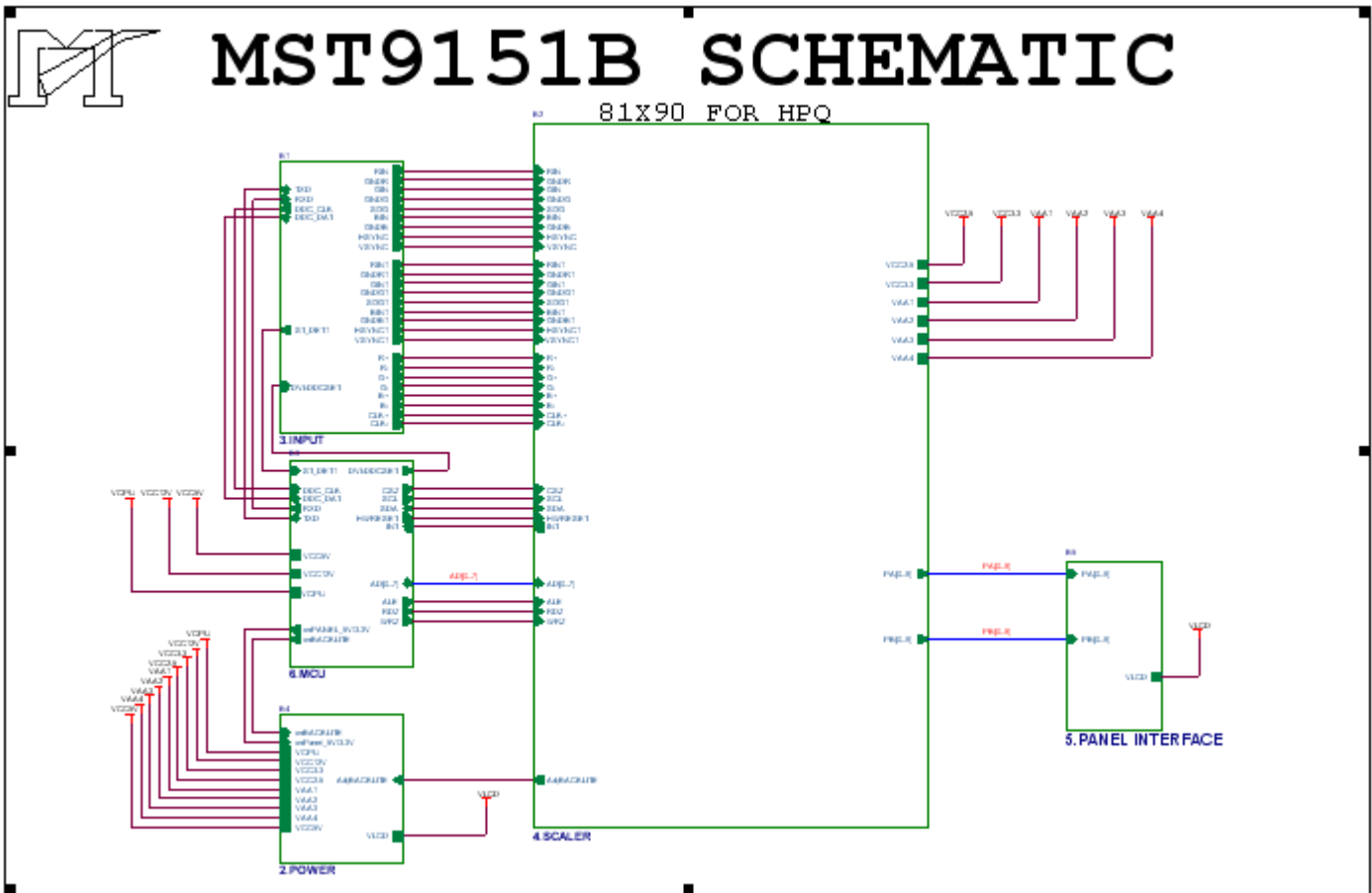


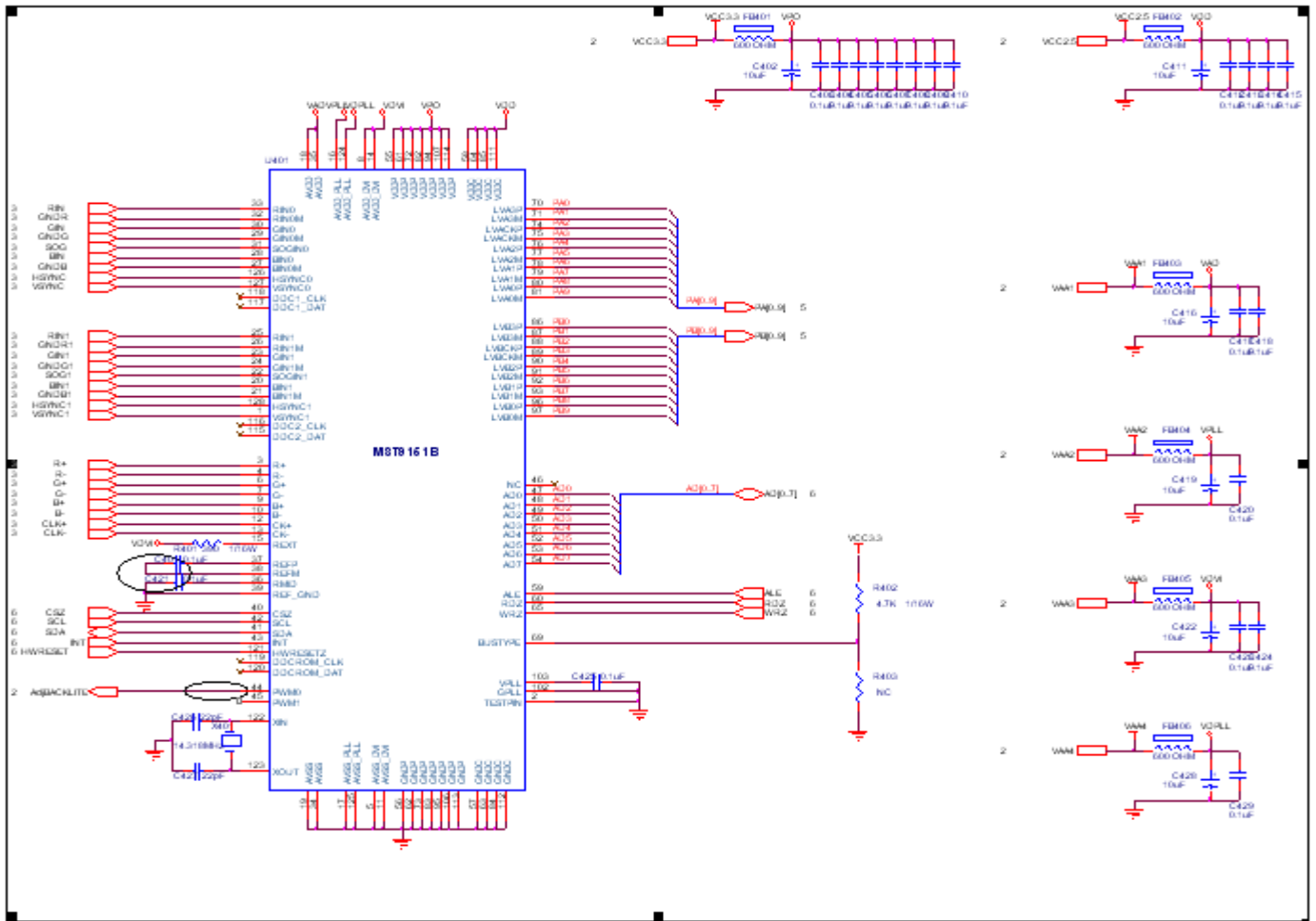
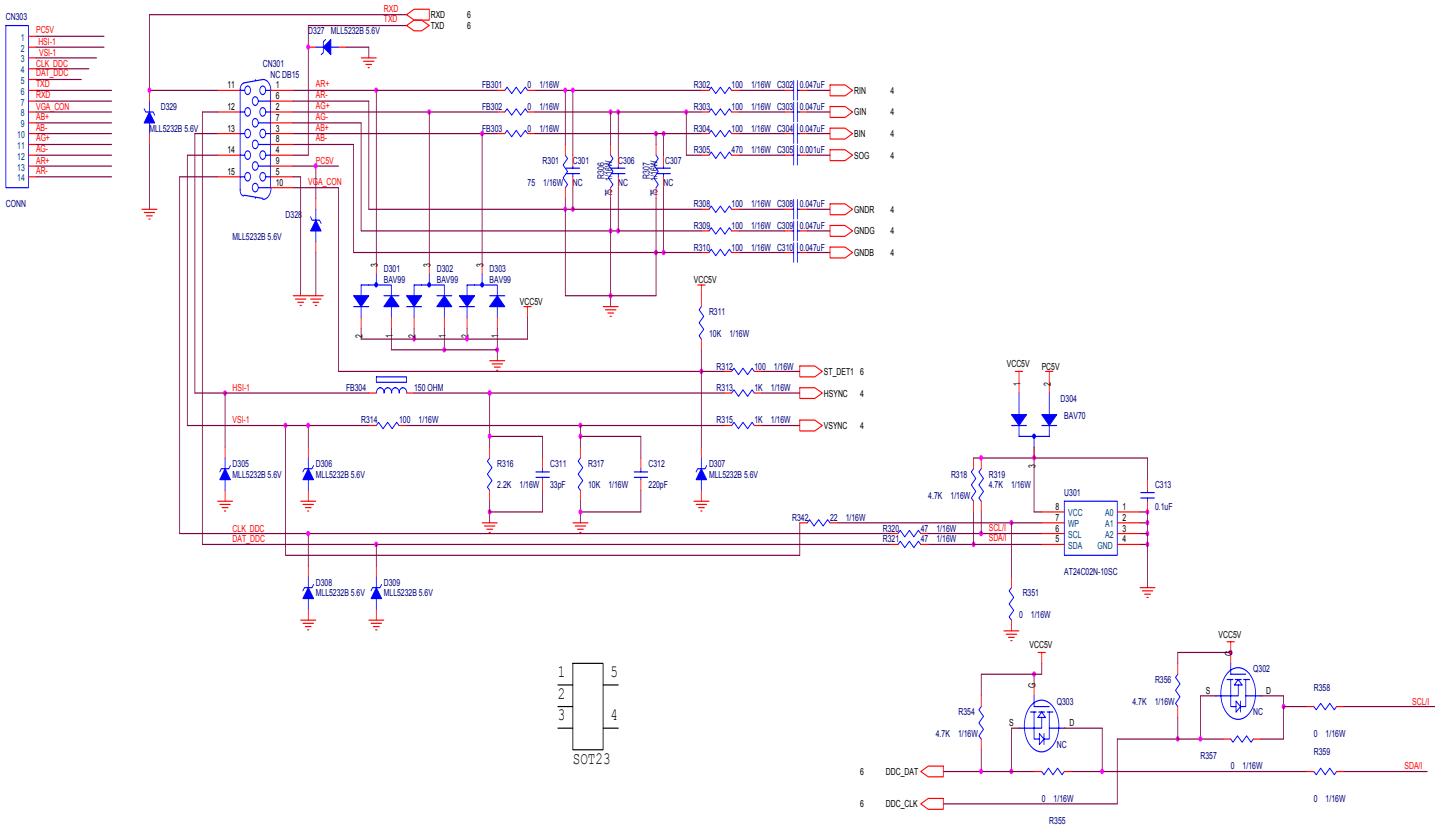
**Power Block Diagram**

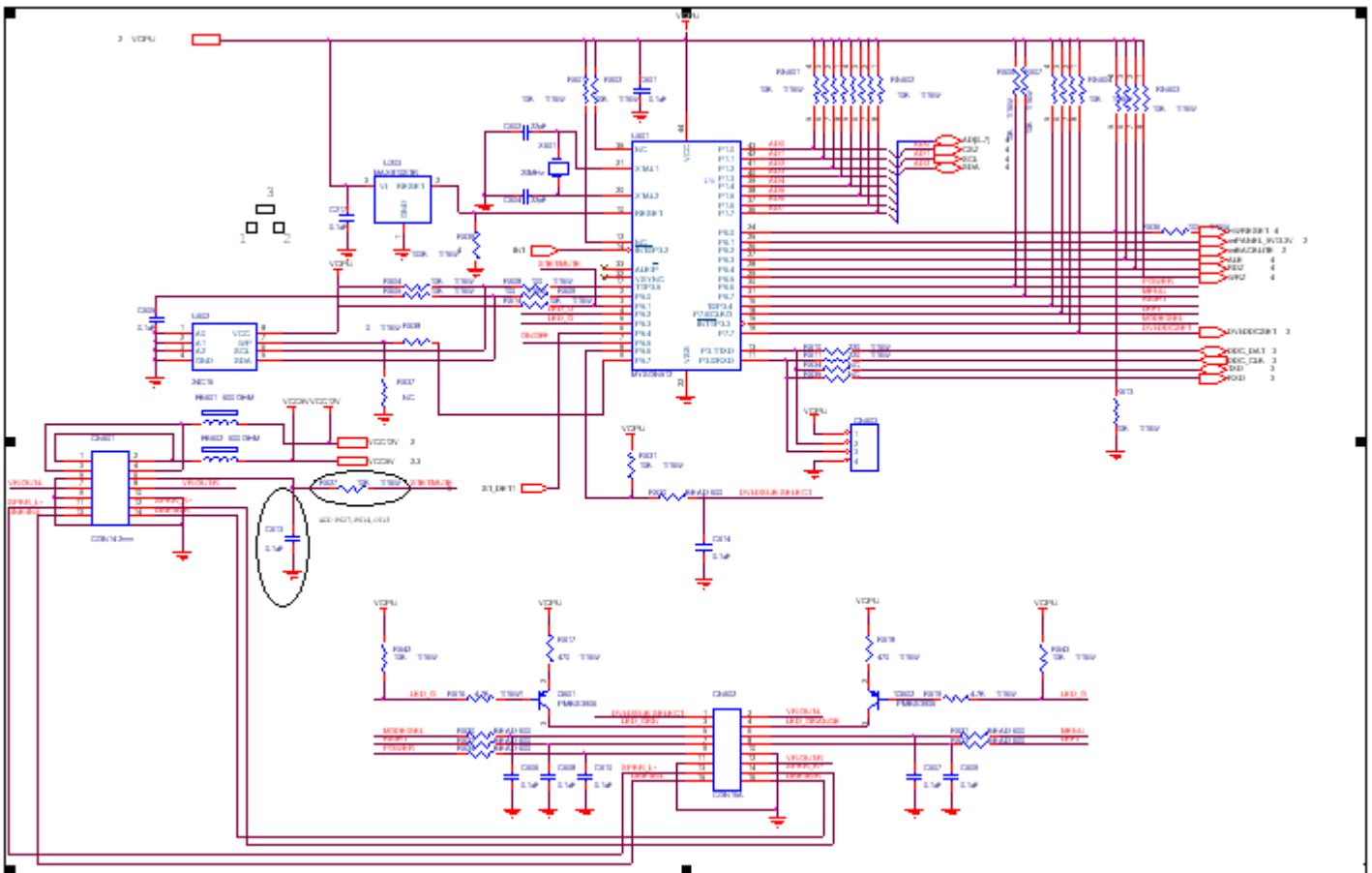
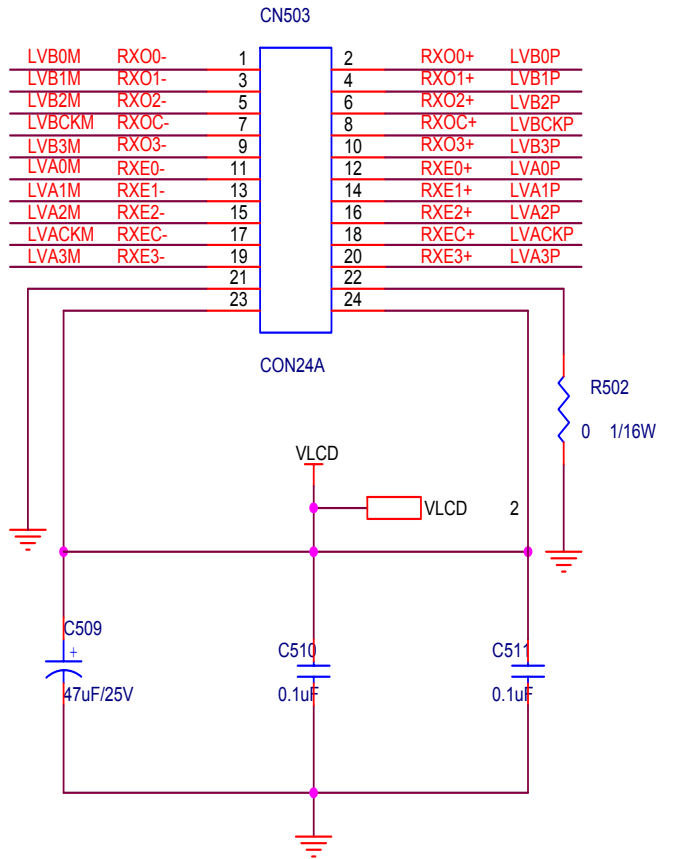
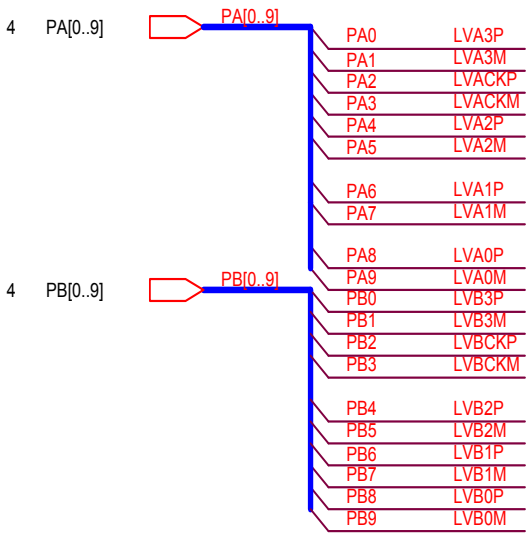


7.SCHEMATIC

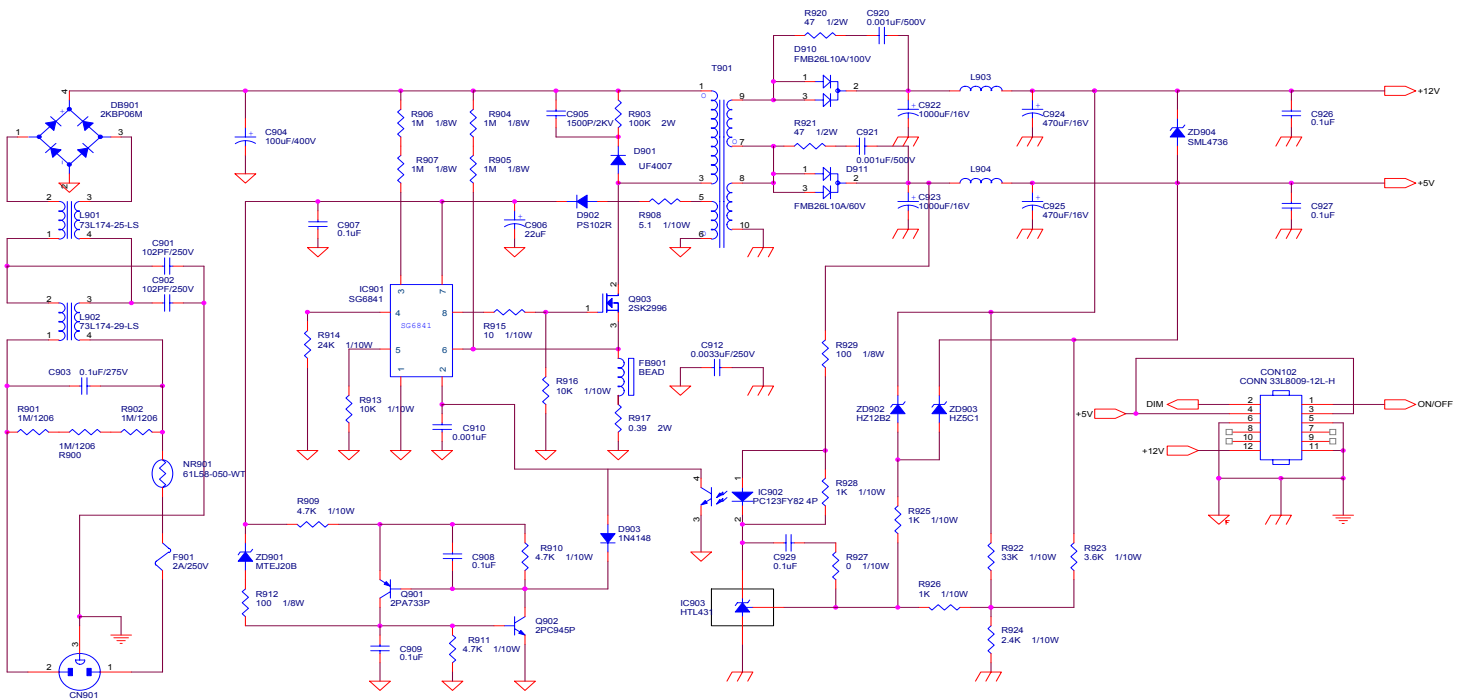
7.1 SCALAR BOARD



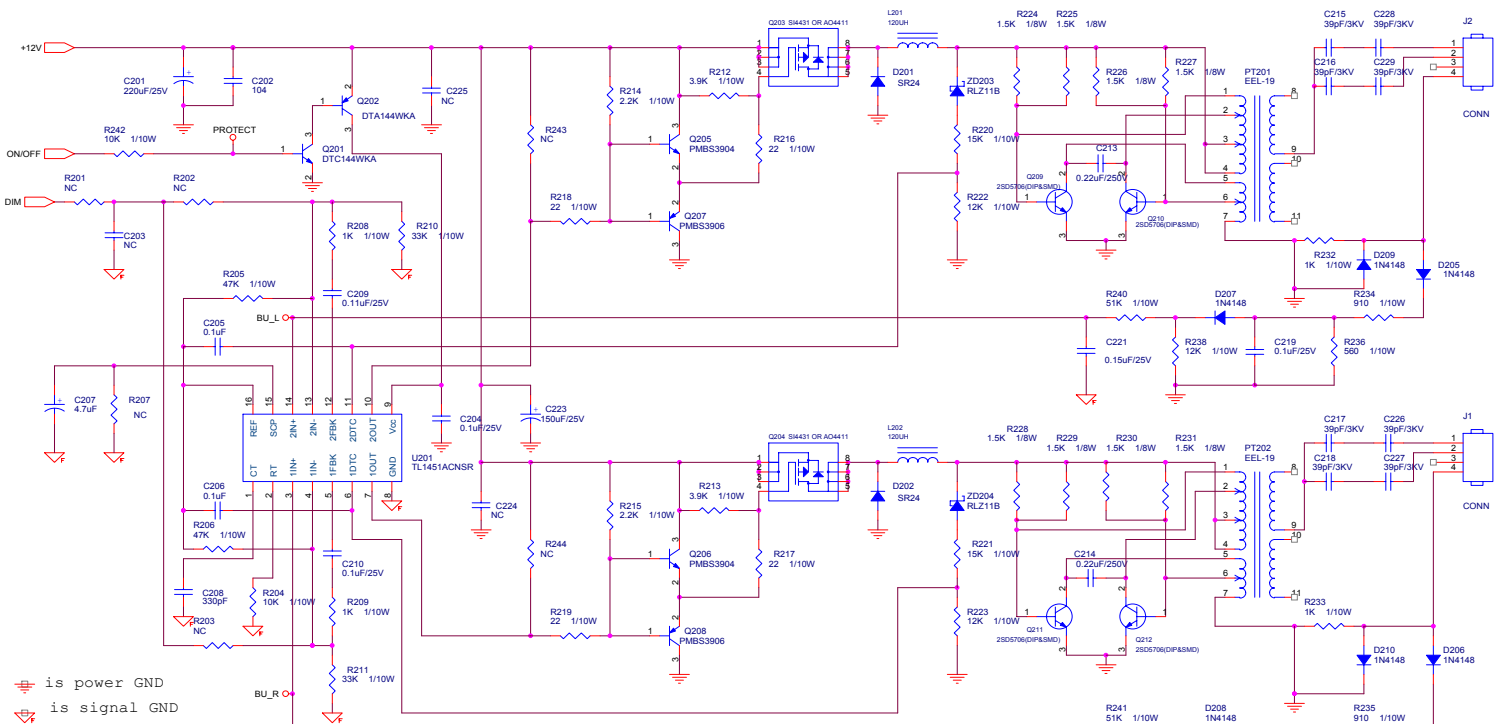




# 7.2 Power Board PWPC1742AUH1



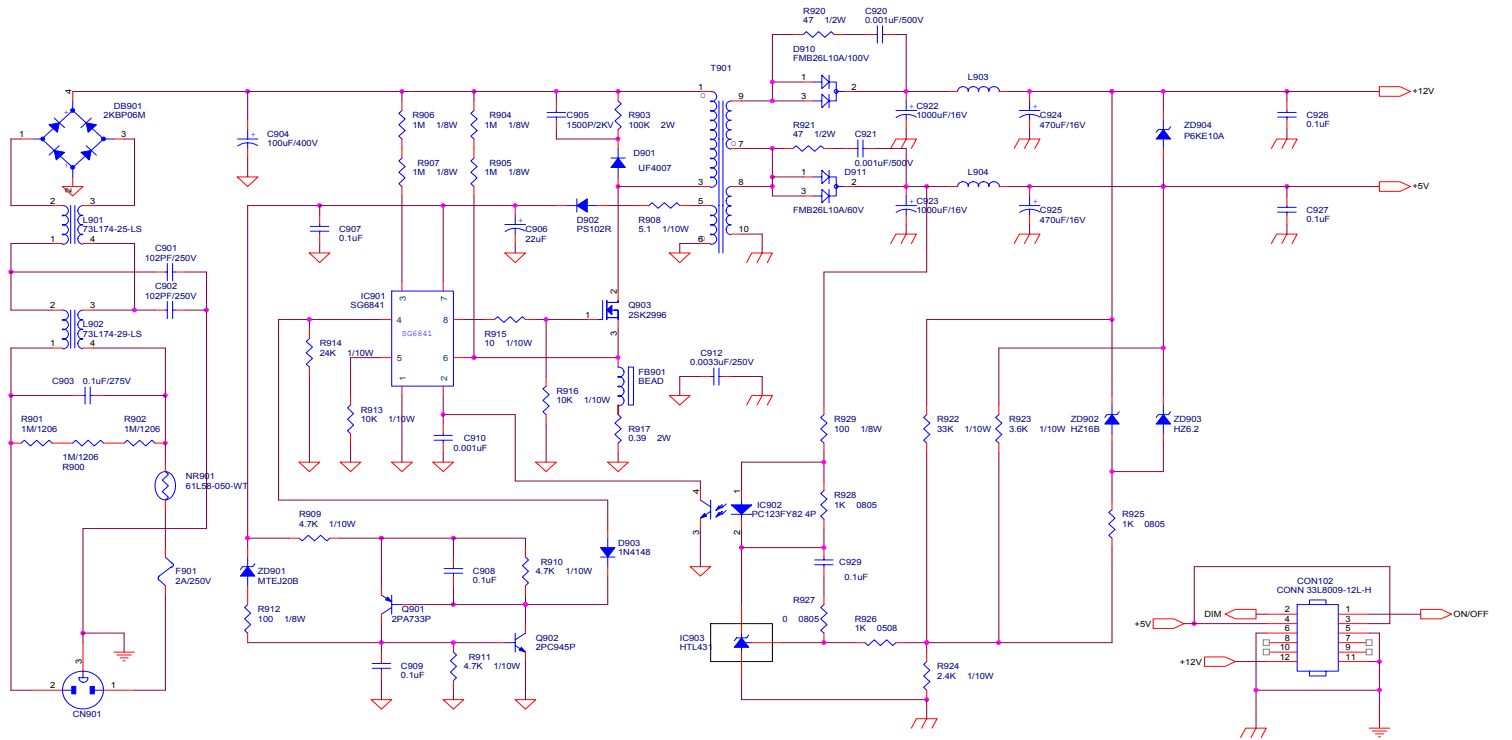
AOC (Top Victory) Electronics Co., Ltd.		
File	I. POWER OUTPUT 12V & 5V	
Size	Document Number	Rev
B	PWPC1742AUH1	A
Date:	Thursday, January 08, 2004	Sheet 2 of 1



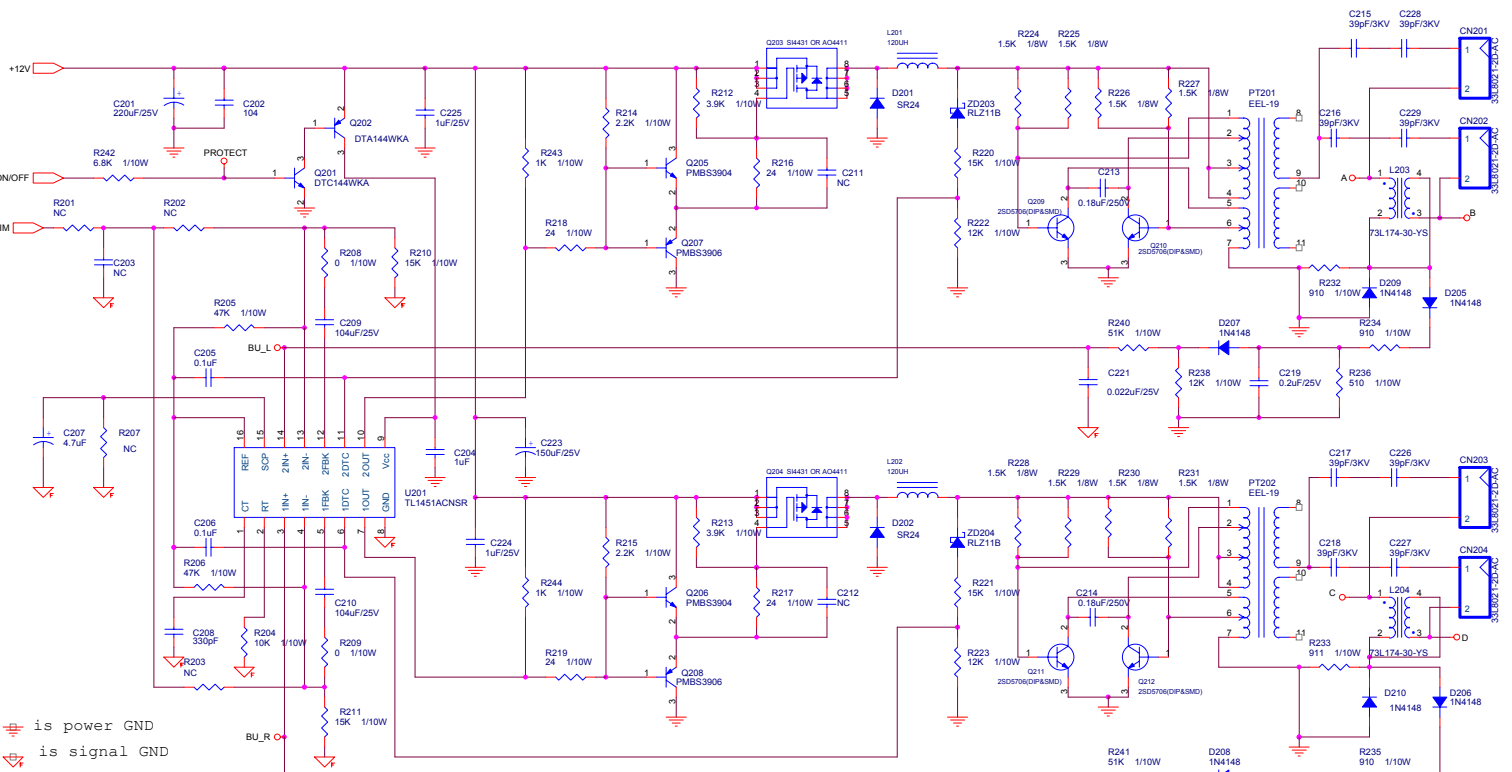
⊕ is power GND  
⊖ is signal GND

AOC (Top Victory) Electronics Co., Ltd.		
File	PWPC1742AUH1	
Size	Document Number	Rev
B	Thursday, January 08, 2004	2
Date:	Thursday, January 08, 2004	Sheet 2 of 2

PWPC1742QDH1



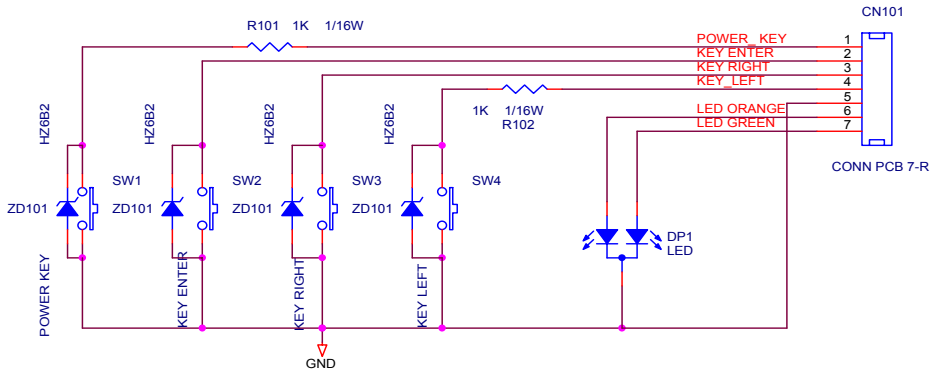
AOC (Top Victory) Electronics Co., Ltd.		
File	1. POWER OUTPUT 12V & 5V	
Size	Document Number	Rev
B	PWPC1742QDH1	A
Date:	Monday, January 05, 2004	Sheet 2 of 1



⊕ is power GND  
 ⊖ is signal GND

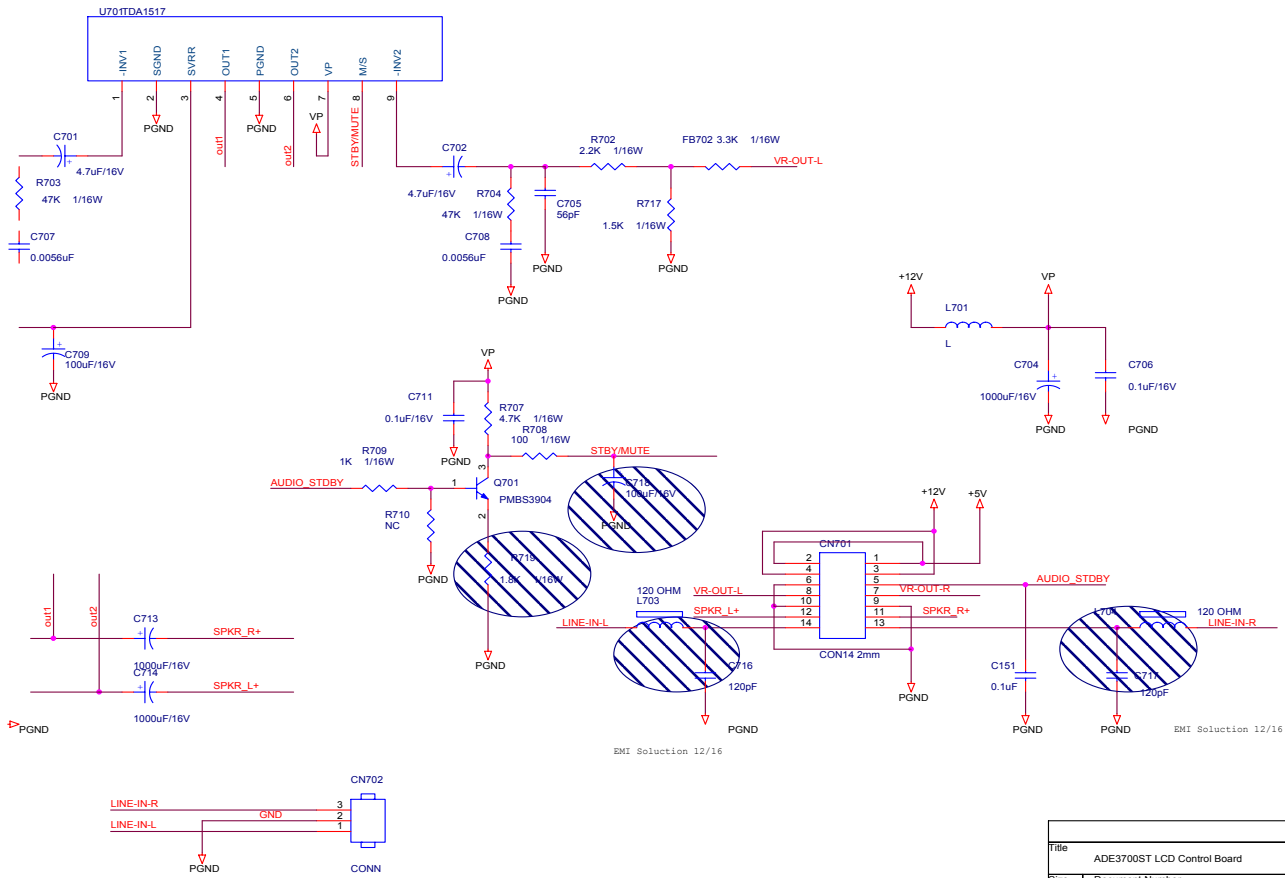
AOC (Top Victory) Electronics Co., Ltd.		
File	PWPC1742QDH1	
Size	Document Number	Rev
B	Monday, January 05, 2004	2
Date:	Monday, January 05, 2004	Sheet 2 of 2

### 7.3 Key Board L1702 Model



<i>AOC (Top Victory) Electronics Co., Ltd.</i>		
<b>Title</b> KEY PAD		
Size A	Document Number	Rev A
Date: 星期五, 十一月 07, 2003	Sheet 1 of 1	

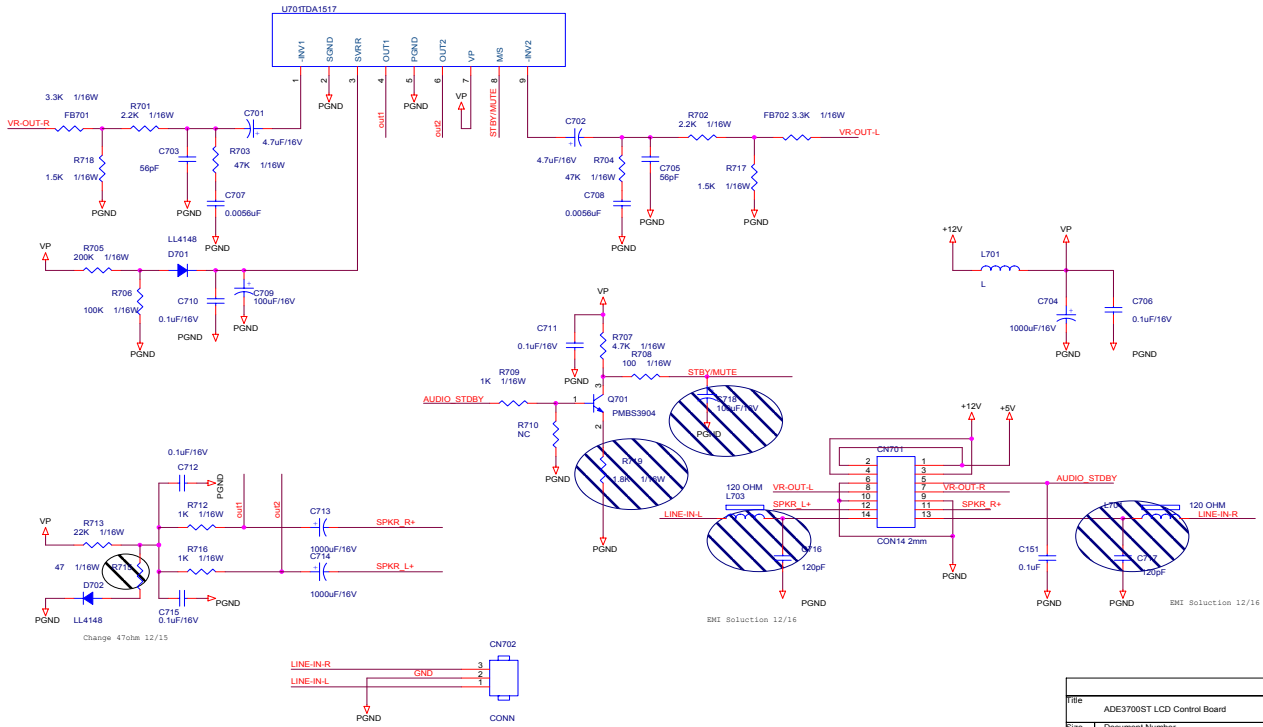
### F7317 Model



<b>Title</b> ADE3700ST LCD Control Board		
Size B	Document Number Audio Amplifier	Rev A
Date: 星期四, 十二月 25, 2003	Sheet 1 of 1	

### 7.4 Audio Board

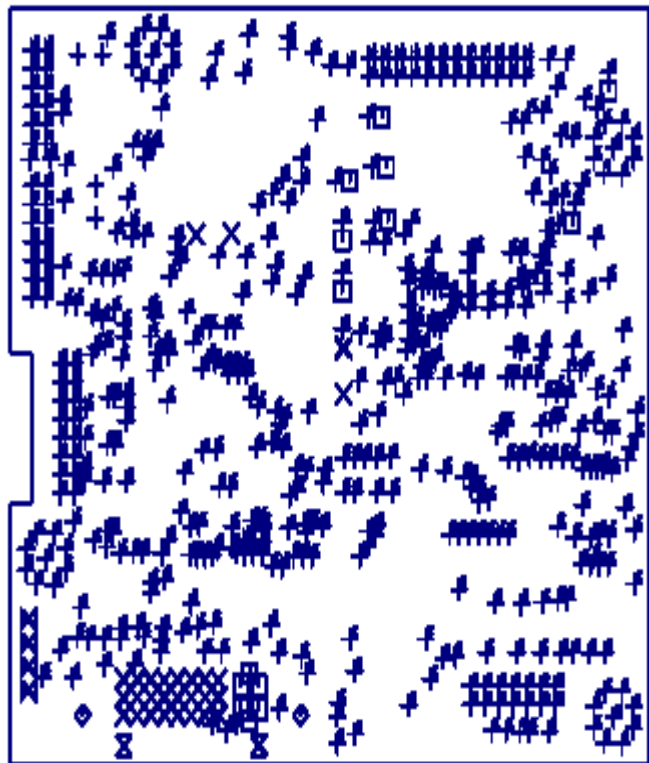
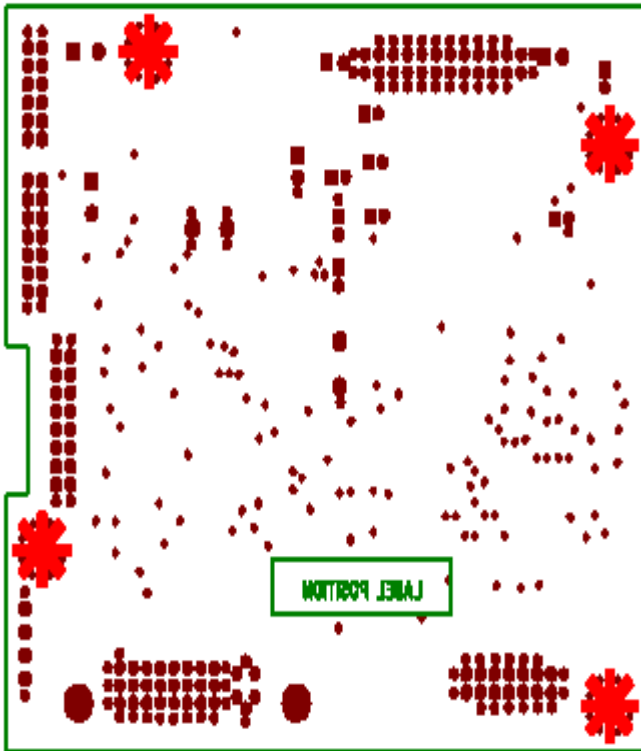
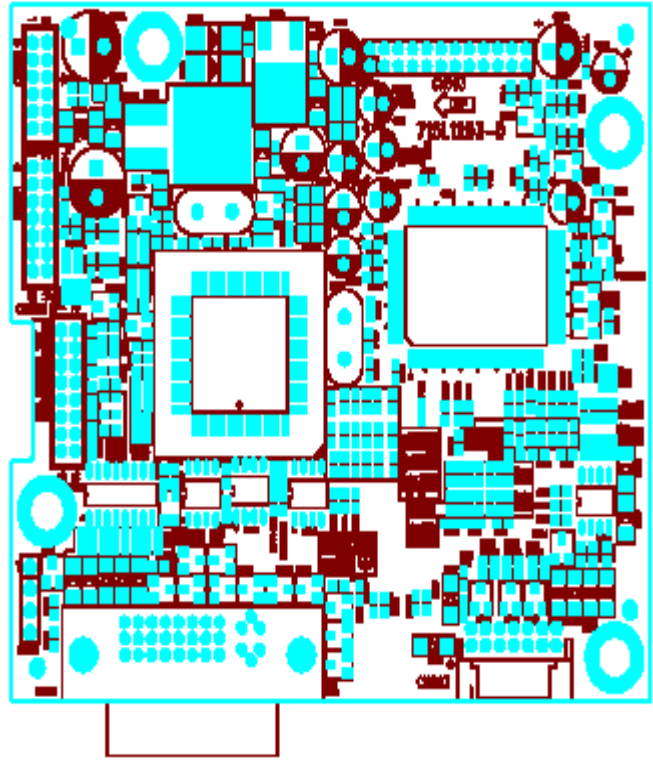
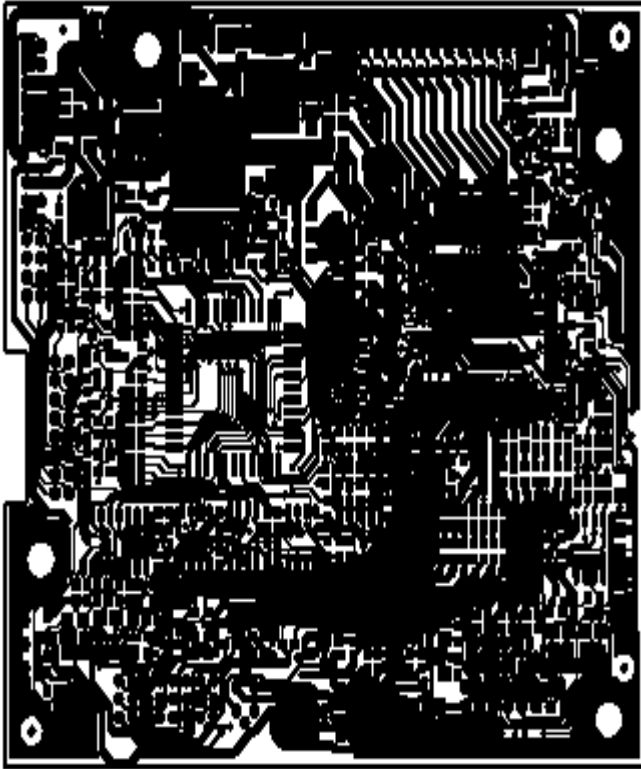
F7317 Model



File	ADE3700ST LCD Control Board		
Size	Document Number	Audio Amplifier	Rev A
Date	11/25/2003	Sheet 1	of 1

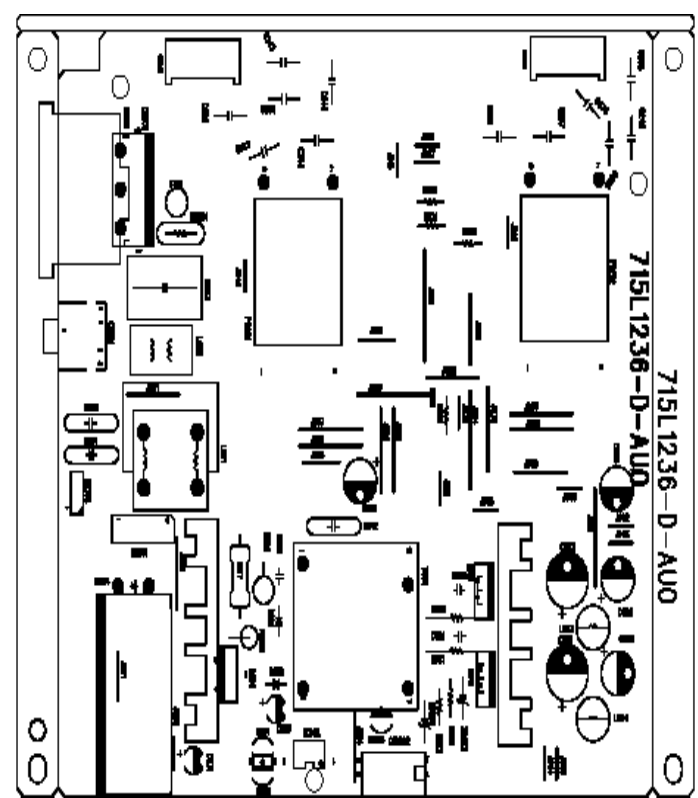
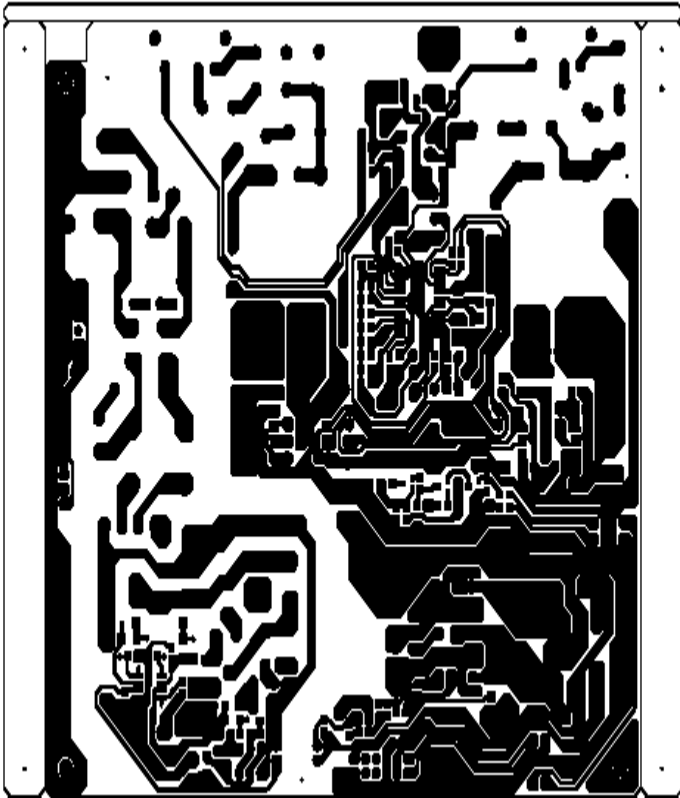
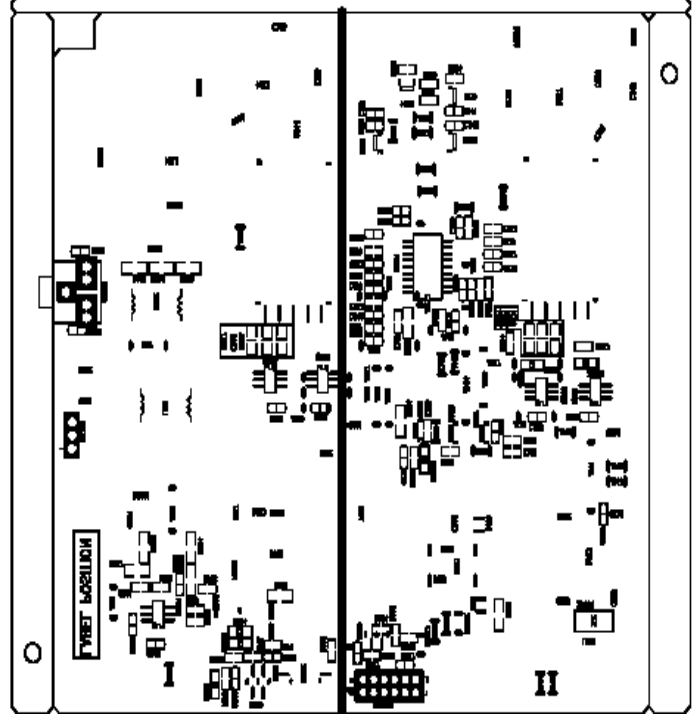
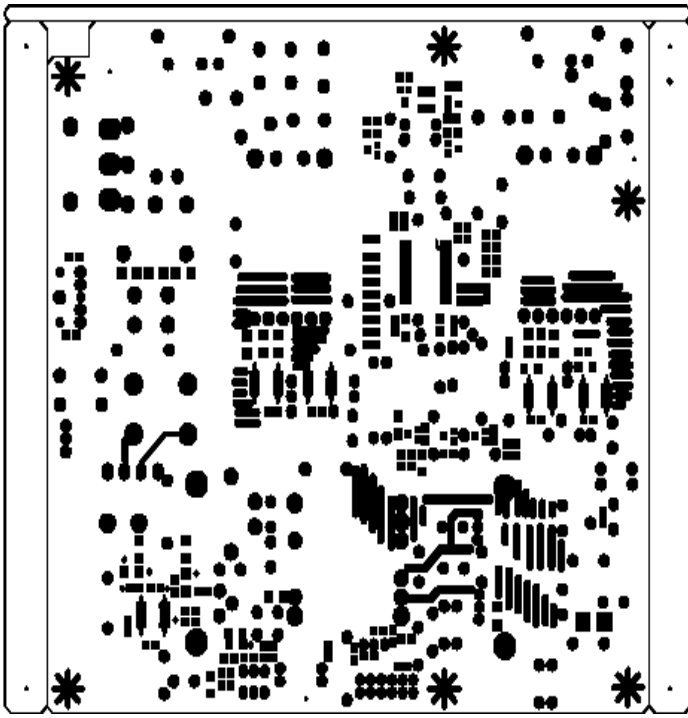


8. PCB Layout  
8.1 Main Board  
715L1253-C





715L1236-D-AUO

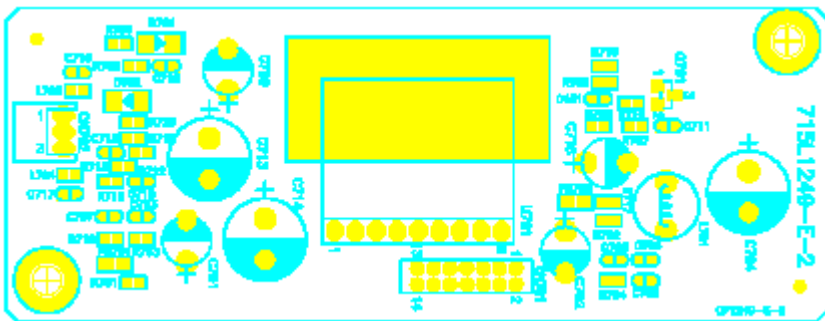
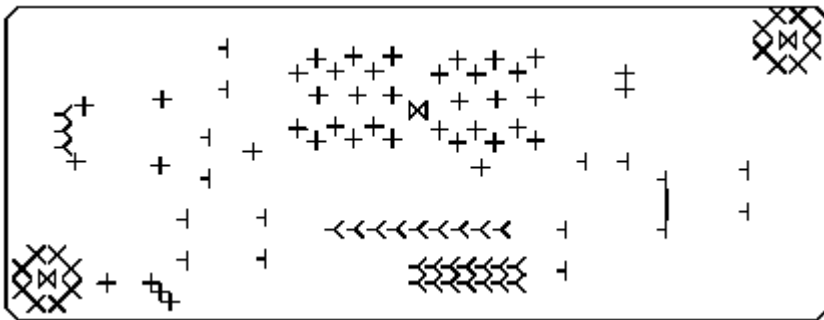
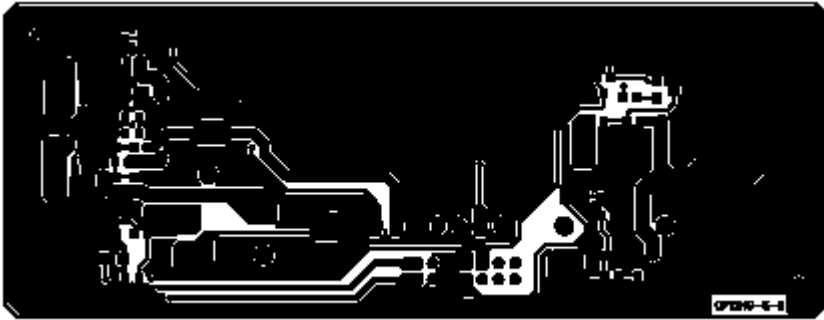




## 8.4 Audio Board

F7317 Model

715L1249-E-2



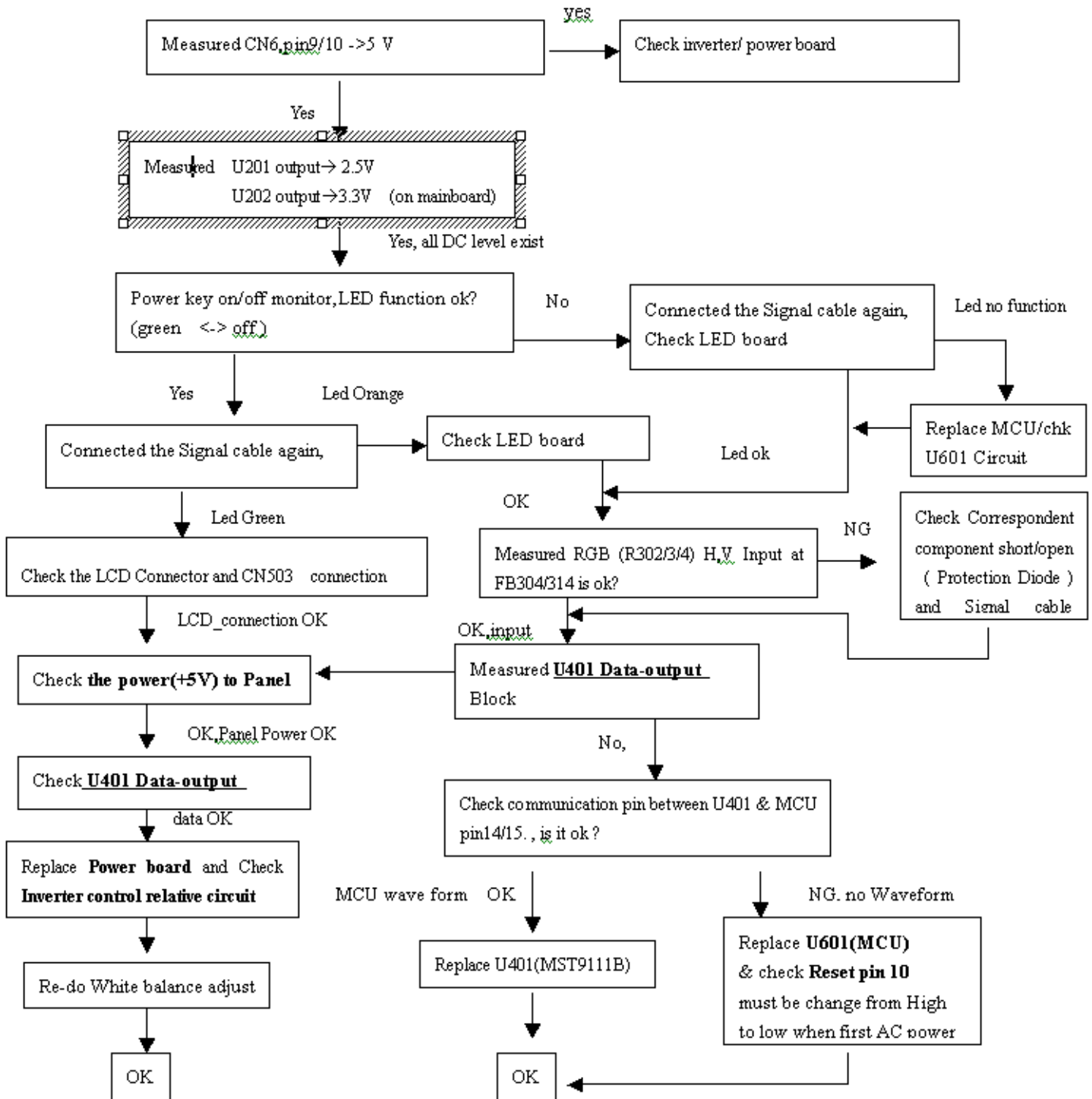
## 9. Maintainability

### 9.1 Equipments and Tools Requirement

- 1.) Multi-meter.
- 2.) Oscilloscope.
- 3.) Pattern Generator.
- 4.) DDC Tool with an IBM Compatible Computer.
- 5.) Alignment Tool.
- 6.) LCD Color Analyzer.
- 7.) Service Manual.
- 8.) User Manual.

## 9.2 Trouble Shooting

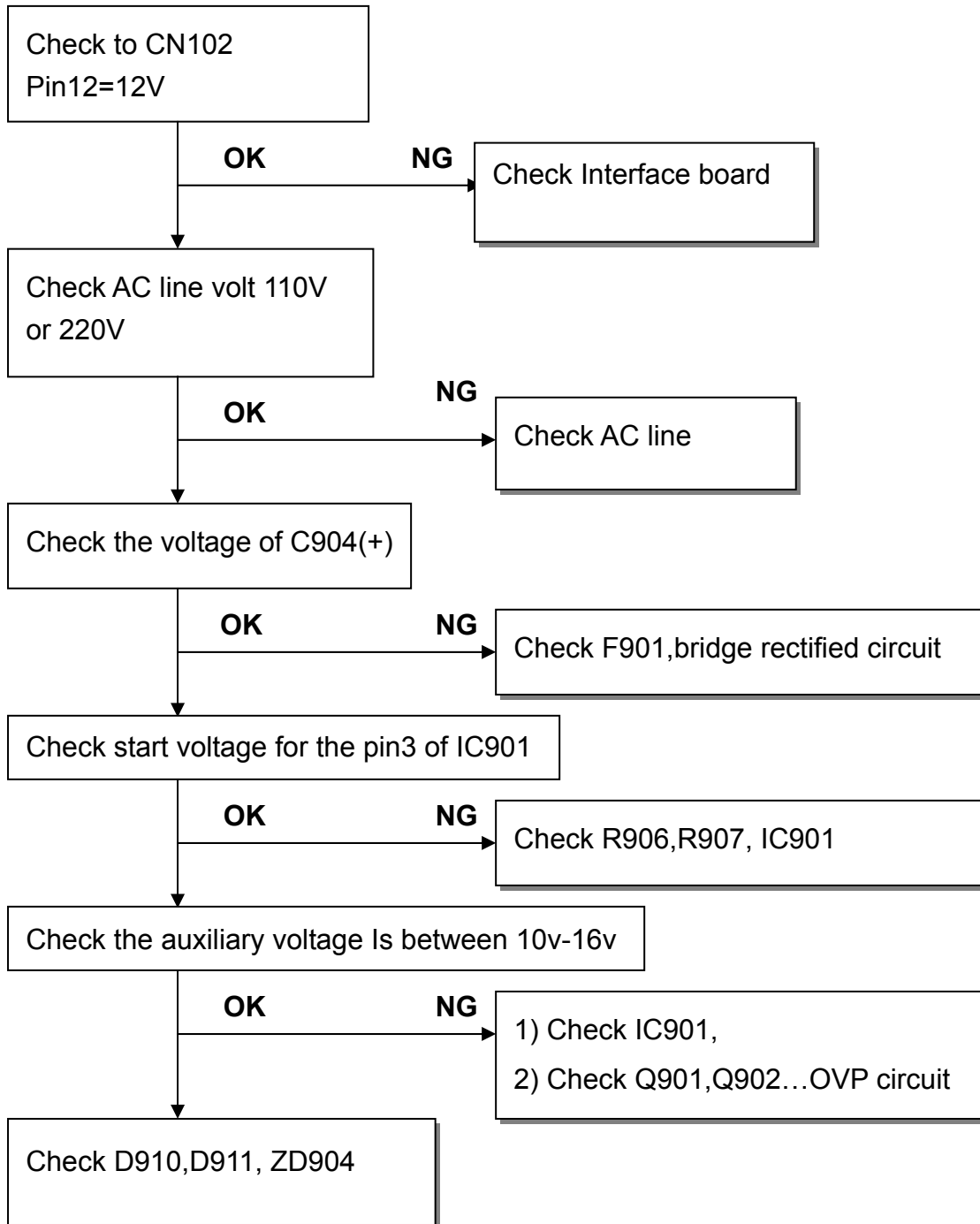
### 9.2.1 Main Board



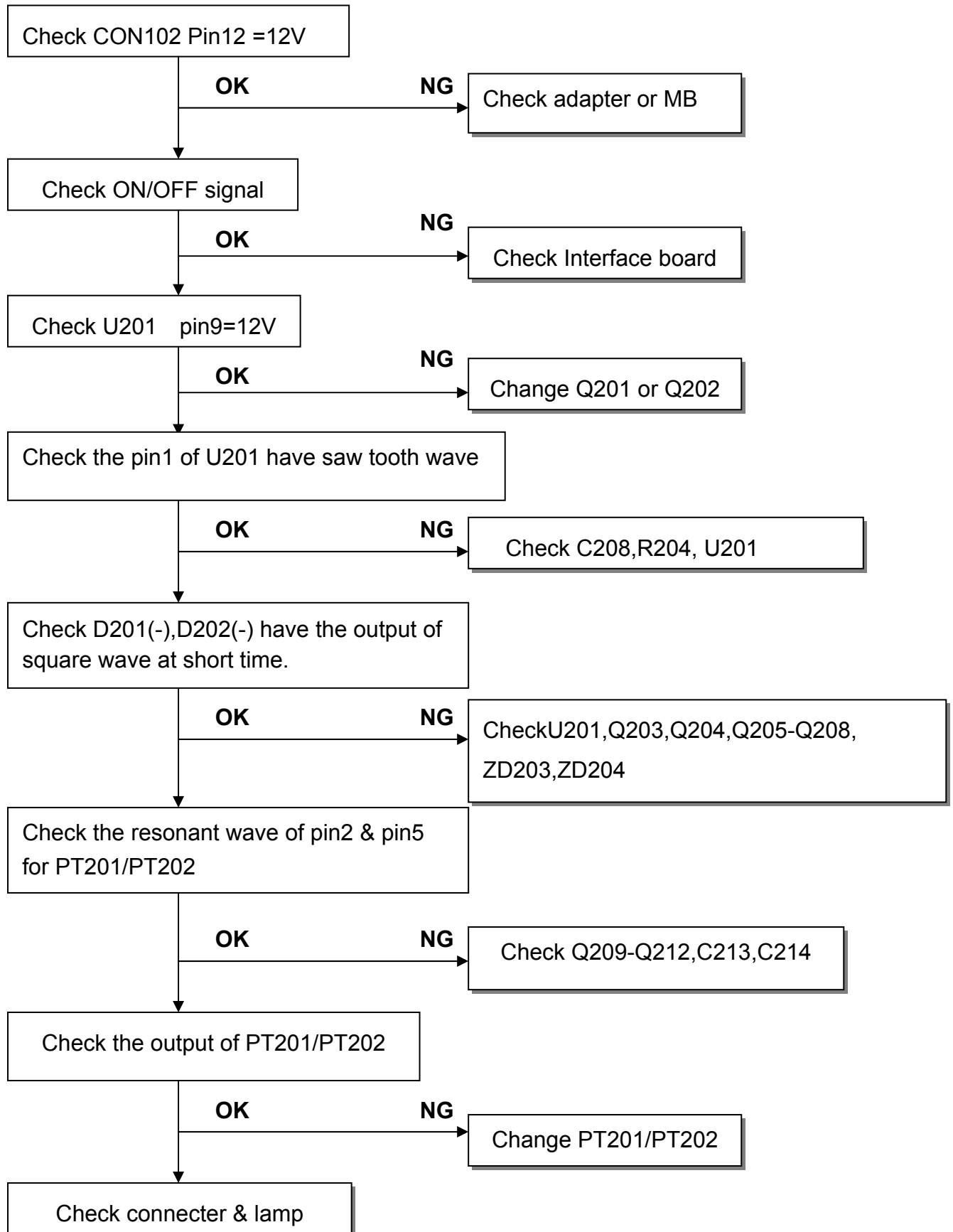
Note: 1.If Replace "MAIN-BOARD", need to check the DDC data & "WHITE-Balance".

9.2.2 Inverter / Power Board

1.) No power

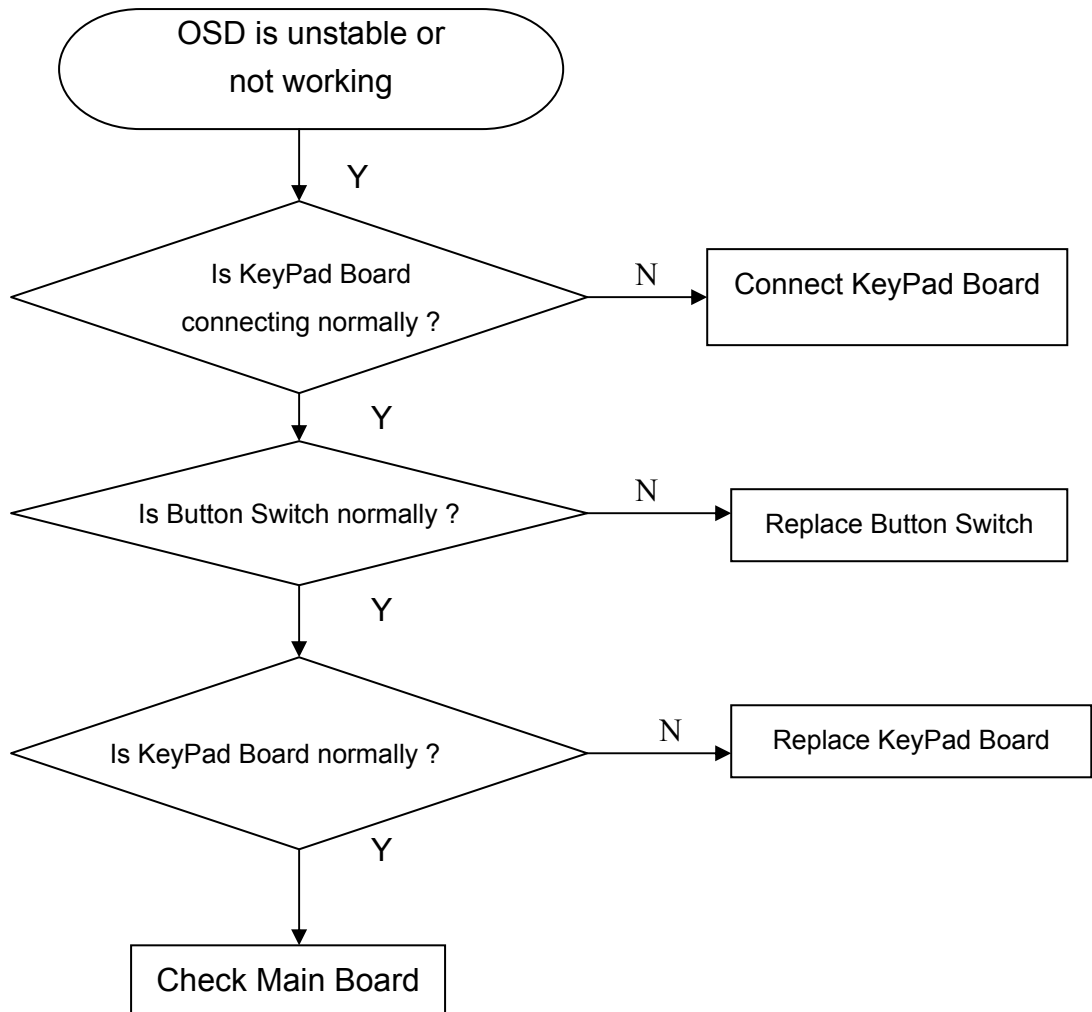


2.) W / LED , No Backlight





9.2.3 Key Board



## 10. WHITE- BALANCE, LUMINANCE ADJUSTMENT

Approximately 30 minutes should be allowed for warm up before proceeding White-Balance adjustment.

### 1. How to do the Chroma-7120 MEM .Channel setting

A · Reference to chroma 7120 user guide

B · Use “**SC**” key and “**NEXT**” key to modify xyY value and use “**ID**” key to modify the TEXT description Following is the procedure to do white-balance adjust

### 2 · Setting the color temp. You want

A · MEM.CHANNEL 3 ( 9300 color):

7800 color temp. parameter is  $x = 296 \pm 10$ ,  $y = 311 \pm 10$ ,  $Y = 200 \pm 10 \text{ cd/m}^2$ .

B · MEM.CHANNEL 4 ( 6500 color):

6500 color temp. parameter is  $x = 313 \pm 10$ ,  $y = 329 \pm 10$ ,  $Y = 200 \pm 10 \text{ cd/m}^2$ )

### 3 · Into factory mode of HP L1702/F7317

A · Press MENU button during 2 seconds along with press Power button will activate the factory mode, then MCU will do AUTO LEVEL automatically. Meanwhile press MENU the OSD screen will located at **LEFT TOP OF PANEL**.

### 4 · Bias adjustment :

Set the **Contrast**  to 50

Adjust the **Brightness**  to 90.

### 5 · Gain adjustment :

Move cursor to “-F-” and press MENU key

A · Adjust C2(9300) color-temperature

1 · Switch the Chroma-7120 to **RGB-Mode** (with press “MODE” button )

2 · Switch the MEM. Channel to Channel 3 ( with up or down arrow on chroma 7120 )

3 · The LCD-indicator on chroma 7120 will show  $x = 296 \pm 10$ ,  $y = 311 \pm 10$ ,  
 $Y = 200 \pm 10 \text{ cd/m}^2$

4 · Adjust the RED of color1 on factory window until chroma 7120 indicator reached the value  $R=100$

5 · Adjust the GREEN of color1 on factory window until chroma 7120 indicator reached the value  $G=100$

6 · Adjust the BLUE of color1 on factory window until chroma 7120 indicator reached the value  $B=100$

7 · Repeat above procedure ( item 4,5,6) until chroma 7120 RGB value meet the tolerance  $=100 \pm 2$

B · Adjust C1(6500) color-temperature

- 1 · Switch the chroma-7120 to **RGB-Mode** (with press “MODE” button )
- 2 · Switch the MEM .Channel to Channel 4( with up or down arrow on chroma 7120 )
- 3 · The LCD-indicator on chroma 7120 will show  $x = 313 \pm 10$ ,  $y = 329 \pm 10$ ,  
 $Y = 200 \pm 10 \text{ cd/m}^2$
- 4 · Adjust the RED of color3 on factory window until chroma 7120 indicator reached the value  $R=100$
- 5 · Adjust the GREEN of color3 on factory window until chroma 7120 indicator reached the value  $G=100$
- 6 · Adjust the BLUE of color3 on factory window until chroma 7120 indicator reached the value  $B=100$
- 7 · Repeat above procedure ( item 4,5,6) until chroma 7120 RGB value meet the tolerance  $=100 \pm 2$

C · Press reset key and Turn the Power-button “off to on” to quit from factory mode.

11. EDID CONTENT

**L1702 Model**

	x0	x1	x2	x3	x4	x5	x6	x7	x8	x9	xA	xB	xC	xD	xE	xF
00:	00	FF	FF	FF	FF	FF	FF	00	22	F0	01	26	34	33	32	31
16:	34	0D	01	03	68	22	1B	8C	EE	C0	F5	A3	57	4A	9C	23
32:	11	4F	54	AD	EF	80	81	80	01	01	01	01	01	01	01	01
48:	01	01	01	01	01	01	30	2A	00	98	51	00	2A	40	30	70
64:	13	00	54	0E	11	00	00	1E	00	00	00	FF	00	43	4E	43
80:	33	35	32	31	32	33	34	0A	20	20	00	00	00	FD	00	32
96:	4C	1E	51	0E	00	0A	20	20	20	20	20	20	00	00	00	FC
112:	00	68	70	20	4C	31	37	30	32	0A	20	20	20	20	00	40

**F7317 Model**

	x0	x1	x2	x3	x4	x5	x6	x7	x8	x9	xA	xB	xC	xD	xE	xF
00:	00	FF	FF	FF	FF	FF	FF	00	0E	11	5B	14	01	01	01	01
16:	02	0E	01	03	68	22	1B	8C	EE	C0	F5	A3	57	4A	9C	23
32:	11	4F	54	AD	EF	80	81	80	01	01	01	01	01	01	01	01
48:	01	01	01	01	01	01	30	2A	00	98	51	00	2A	40	30	70
64:	13	00	54	0E	11	00	00	1E	00	00	00	FF	00	43	4E	43
80:	34	30	32	31	32	33	34	0A	20	20	00	00	00	FD	00	32
96:	4C	1E	51	0E	00	0A	20	20	20	20	20	20	00	00	00	FC
112:	00	43	4F	4D	50	41	51	20	46	50	37	33	31	37	00	35

## 12. BOM LIST

## 12.1 L1702 Model

## T780KAXHKHHPN

插件位置	元件料号编号	品名规格	来源	组成 用量
	AUPC780HP	AUDIO BOARD FOR T780*HP	1	PCS
	CBPC780KAXHPA	CONVERSION BOARD	1	PCS
	KEPC780KC8	KEY BOARD	1	PCS
	PWPC1742AUH2	POWER BOARD	1	PCS
	15L5689 1 A	GND LUG (AL)	1	PCS
	15L8006 5	MAIN FRAME	1	PCS
	34L1316 EY 2B	REAR COVER	1	PCS
	40L 152509	RECYCLE LABEL	0	PCS
	40L 152512	RECYCLE LABEL	0	PCS
	40L 190690 1	ID LABEL	1	PCS
	40L 581 26704	唛头纸 FOR CARTON/PALLET	0.01	PCS
	44L3231 15	EVA WASHER	1	PCS
	44L3731 1	EPS	1	PCS
	44L3731 2	EPS	1	PCS
	44L3731624 1A	CARTON	1	PCS
	45L 76 28 H	PE BAG FOR MANUAL	1	PCS
	45L 77 3	打包膜	398	CM
	45L 77500	BARCODE RIBBON	19	CM
	45L 88609 2	EPE COVER	1	PCS
	45L 88626 H	PE BAG FOR MONITOR	1	PCS
	52L 1186	SMALL TAPE	8	CM
	52L 1211 A	ALUMINIUM TAPE	2	PCS
	52L6020 1	PROTECT FILM	1	PCS
	52L6022 3	SMALL TAPE	15	CM
	52L6025 11657	INSULATE SHEET	1	PCS
	85L 667 1	SHIELD	1	PCS
	89L 173 56 18	AUDIO CABLE 1500mm BLAC	1	PCS
	89L1735GAA 13	SIGNAL CABLE	1	PCS
	89L404A18N IS	POWER CORD	1	PCS
	95L8014 18 1	KEY BOARD HARNESS	1	PCS
	95L8018 30522	WIRELARNNESS/LVDS	1	PCS
	M1L 330 4128	SCREW M3X4	7	PCS
	M1L 330 6128	SCREW	1	PCS
	M1L1140 6128	SCREW 4X6	1	PCS

	M1L1730 6128	SCREW M3x6	11	PCS
	Q1L 340 10 47	SCREW 4X10mm	7	PCS
	Q1L1030 8128	SCREW	3	PCS
	705L780KP34 H4	BACK COVER ASS'Y	1	PCS
	705L780KP87 HP	AC INPUT ASS'Y	1	PCS
	750LLU70N05	AU 17" LCD PANEL	1	PCS
	AM1L1740 12 47	SCREW	2	PCS
-----	-----	-----	-----	----
PARENT	NO : AUPC780HP	AUDIO BOARD FOR T780*H		
-----	-----	-----	-----	----
CN702	33L3802 3H	WAFER 3P RIGHT ANGLE	1	PCS
CN701	33L802414C H	2*7PIN DUAL ROW RIGHT A	1	PCS
	51L 200 1	散热油	2	G
U701	56L 616 10	TDA1517 SOT110-1	1	PCS
C704	67L 215102 3H	1000UF +-20% 16V	1	PCS
C713	67L 215102 3H	1000UF +-20% 16V	1	PCS
C714	67L 215102 3H	1000UF +-20% 16V	1	PCS
C709	67L 309101 3T	100uF 16V	1	PCS
C718	67L 309101 3T	100uF 16V	1	PCS
C701	67L 309479 3T	4.7UF +-20% 16V	1	PCS
C702	67L 309479 3T	4.7UF +-20% 16V	1	PCS
L701	73L 253139LSL	CHOKE COIL	1	PCS
U701	90L 419 1	HEAT SINK	1	PCS
U701	90L 420 1	HEAT SINK	1	PCS
	M1L1730 7128	SCREW	1	PCS
-----	-----	-----	-----	----
PARENT	NO :AUPC780HPSMT	AUDIO BOARD		
-----	-----	-----	-----	----
Q701	57L 417 4	PMBS3904/PHILIPS-SMT(04	1	PCS
R708	61L0603101	CHIPR 100 OHM +-5% 1/10	1	PCS
R712	61L0603102	CHIPR 1K OHM +-5% 1/10W	1	PCS
R716	61L0603102	CHIPR 1K OHM +-5% 1/10W	1	PCS
R709	61L0603103	CHIPR 10K OHM +-5% 1/10	1	PCS
R706	61L0603104	CHIPR 100K OHM +-5% 1/1	1	PCS
L703	61L0603153	CHIPR 15KOHM+-5% 1/10W	1	PCS
L704	61L0603153	CHIPR 15KOHM+-5% 1/10W	1	PCS
R719	61L0603182	CHIPR 1.8KOHM	1	PCS
R705	61L0603204	CHIPR 200KOHM +-5% 1/10	1	PCS
R713	61L0603223	CHIPR 22K OHM +-5% 1/10	1	PCS
R701	61L0603333	CHIP 33K OHM 1/10W	1	PCS

R702	61L0603333	CHIP 33K OHM 1/10W	1	PCS
R707	61L0603472	CHIPR 4.7K OHM +-5% 1/1	1	PCS
R703	61L0603473	CHIP 47K OHM 1/10W	1	PCS
R704	61L0603473	CHIP 47K OHM 1/10W	1	PCS
R715	61L0603473	CHIP 47K OHM 1/10W	1	PCS
C706	65L0603104 12	0.1UF +-10% 16V X7R	1	PCS
C710	65L0603104 12	0.1UF +-10% 16V X7R	1	PCS
C711	65L0603104 12	0.1UF +-10% 16V X7R	1	PCS
C712	65L0603104 12	0.1UF +-10% 16V X7R	1	PCS
C715	65L0603104 12	0.1UF +-10% 16V X7R	1	PCS
C151	65L0603104 32	CHIP 0.1UF 50V X7R	1	PCS
C716	65L0603121 31	CHIP 120PF 50V NPO	1	PCS
C717	65L0603121 31	CHIP 120PF 50V NPO	1	PCS
C703	65L0603560 31	CHIP 56PF 50V NPO	1	PCS
C705	65L0603560 31	CHIP 56PF 50V NPO	1	PCS
C707	65L0603562 32	CHIP 5600PF 50V X7R	1	PCS
C708	65L0603562 32	CHIP 5600PF 50V X7R	1	PCS
FB701	71L 59B121	TB160808B121 SMD	1	PCS
FB702	71L 59B121	TB160808B121 SMD	1	PCS
D701	93L 6432V	LL4148-GS08	1	PCS
D702	93L 6432V	LL4148-GS08	1	PCS
	715L1249 E 2	PCB	1	PCS
-----	-----	-----	-----	----
PARENT	NO :CBPC780KAXHPA	CONVERSION BOARD		
-----	-----	-----	-----	----
	AIC780KAXHPA	MAIN BOARD	1	PCS
CN601	33L801714A H	PIN HEADER 2*7 R/A	1	PCS
CN201	33L8027 12	WAFER 2*6P 2.0MM R/A	1	PCS
CN303	33L8027 14 H	WAFER 14P 2.0MM DIP DUA	1	PCS
CN602	33L8027 16	WAFER 16PIN 2.0mm DIP	1	PCS
CN503	33L802724D H	24PIN	1	PCS
	40L 457624 1B	CPU LABEL	1	PCS
	40L 45762412A	CBPC LABEL	1	PCS
U601	56L1125543AP1	MYSON MTV512MV	1	PCS
C215	67L215B1014HV	EC 100UF 25V LTR101M1EE	1	PCS
C202	67L215B2214HV	LOW ESR 220UF 25V 8*11	1	PCS
C204	67L215B2214HV	LOW ESR 220UF 25V 8*11	1	PCS
C211	67L215B4704KV	47uF/25V	1	PCS
C208	67L309V100 4	10UF +-20% 25V	1	PCS
C402	67L309V100 4	10UF +-20% 25V	1	PCS

C411	67L309V100 4	10UF +-20% 25V	1	PCS
C416	67L309V100 4	10UF +-20% 25V	1	PCS
C419	67L309V100 4	10UF +-20% 25V	1	PCS
C422	67L309V100 4	10UF +-20% 25V	1	PCS
C428	67L309V100 4	10UF +-20% 25V	1	PCS
C206	67L309V109 7	1UF +-20% 50V	1	PCS
X601	93L 22 51	CRYSTAL 12MHz HC-49US A	1	PCS
X401	93L 22 53	CRYSTAL 14.318MHzHC-49U	1	PCS
-----	-----	-----	-----	----
PARENT	NO : AIC780KAXHPA	MAIN BOARD		
-----	-----	-----	-----	----
U401	56L 562 53	MST9111B PQFP-128	1	PCS
U202	56L 563 7	AIC1084-33CM	1	PCS
U201	56L 585 7	RT9164-25CL	1	PCS
U203	56L 643 5A	MAX810STR SOT-23	1	PCS
U301	56L1133 20	AT24C02N-10SC	1	PCS
U602	56L1133 24	AT24C16N-10SC-2.7	1	PCS
U301	56L1133 34	M24C02-WMN6T SMT	0	PCS
U602	56L1133 56	M24C16-WMN6T/W SO-8	0	PCS
Q201	57L 417 4	PMBS3904/PHILIPS-SMT(04	1	PCS
Q202	57L 417 4	PMBS3904/PHILIPS-SMT(04	1	PCS
Q204	57L 417 4	PMBS3904/PHILIPS-SMT(04	1	PCS
Q601	57L 417 6	PMBS3906/PHILIPS-SMT(06	1	PCS
Q602	57L 417 6	PMBS3906/PHILIPS-SMT(06	1	PCS
Q203	57L 763 1	A03401 SOT23 BY AOS(A1)	1	PCS
RN601	61L 125103 8	CHIP AR 8P4R 10KOHM +-5	1	PCS
RN602	61L 125103 8	CHIP AR 8P4R 10KOHM +-5	1	PCS
RN603	61L 125103 8	CHIP AR 8P4R 10KOHM +-5	1	PCS
RN604	61L 125103 8	CHIP AR 8P4R 10KOHM +-5	1	PCS
R201	61L0603000	CHIPR 0OHM +-5% 1/10W	1	PCS
R209	61L0603000	CHIPR 0OHM +-5% 1/10W	1	PCS
R351	61L0603000	CHIPR 0OHM +-5% 1/10W	1	PCS
R355	61L0603000	CHIPR 0OHM +-5% 1/10W	1	PCS
R357	61L0603000	CHIPR 0OHM +-5% 1/10W	1	PCS
R358	61L0603000	CHIPR 0OHM +-5% 1/10W	1	PCS
R359	61L0603000	CHIPR 0OHM +-5% 1/10W	1	PCS
R502	61L0603000	CHIPR 0OHM +-5% 1/10W	1	PCS
R638	61L0603000	CHIPR 0OHM +-5% 1/10W	1	PCS
R308	61L0603101	CHIPR 100 OHM +-5% 1/10	1	PCS
R309	61L0603101	CHIPR 100 OHM +-5% 1/10	1	PCS

R310	61L0603101	CHIPR 100 OHM +-5% 1/10	1	PCS
R312	61L0603101	CHIPR 100 OHM +-5% 1/10	1	PCS
R314	61L0603101	CHIPR 100 OHM +-5% 1/10	1	PCS
R608	61L0603101	CHIPR 100 OHM +-5% 1/10	1	PCS
R609	61L0603101	CHIPR 100 OHM +-5% 1/10	1	PCS
R636	61L0603101	CHIPR 100 OHM +-5% 1/10	1	PCS
R203	61L0603102	CHIPR 1K OHM +-5% 1/10W	1	PCS
R204	61L0603102	CHIPR 1K OHM +-5% 1/10W	1	PCS
R315	61L0603102	CHIPR 1K OHM +-5% 1/10W	1	PCS
R202	61L0603103	CHIPR 10K OHM +-5% 1/10	1	PCS
R206	61L0603103	CHIPR 10K OHM +-5% 1/10	1	PCS
R208	61L0603103	CHIPR 10K OHM +-5% 1/10	1	PCS
R211	61L0603103	CHIPR 10K OHM +-5% 1/10	1	PCS
R213	61L0603103	CHIPR 10K OHM +-5% 1/10	1	PCS
R311	61L0603103	CHIPR 10K OHM +-5% 1/10	1	PCS
R317	61L0603103	CHIPR 10K OHM +-5% 1/10	1	PCS
R601	61L0603103	CHIPR 10K OHM +-5% 1/10	1	PCS
R602	61L0603103	CHIPR 10K OHM +-5% 1/10	1	PCS
R604	61L0603103	CHIPR 10K OHM +-5% 1/10	1	PCS
R605	61L0603103	CHIPR 10K OHM +-5% 1/10	1	PCS
R606	61L0603103	CHIPR 10K OHM +-5% 1/10	1	PCS
R607	61L0603103	CHIPR 10K OHM +-5% 1/10	1	PCS
R613	61L0603103	CHIPR 10K OHM +-5% 1/10	1	PCS
R614	61L0603103	CHIPR 10K OHM +-5% 1/10	1	PCS
R627	61L0603103	CHIPR 10K OHM +-5% 1/10	1	PCS
R631	61L0603103	CHIPR 10K OHM +-5% 1/10	1	PCS
R642	61L0603103	CHIPR 10K OHM +-5% 1/10	1	PCS
R643	61L0603103	CHIPR 10K OHM +-5% 1/10	1	PCS
R644	61L0603103	CHIPR 10K OHM +-5% 1/10	1	PCS
R639	61L0603104	CHIPR 100K OHM +-5% 1/1	1	PCS
FB304	61L0603151	CHIPR 150 OHM +-5% 1/10	1	PCS
R313	61L0603151	CHIPR 150 OHM +-5% 1/10	1	PCS
R501	61L0603202	CHIPR 2K OHM+-5% 1/10W	1	PCS
R610	61L0603221	CHIPR 220 OHM+-5% 1/10W	1	PCS
R611	61L0603221	CHIPR 220 OHM+-5% 1/10W	1	PCS
R316	61L0603222	CHIPR 2.2K OHM+-5% 1/10	1	PCS
R401	61L0603390 0F	CHIP 390 OHM 1/10W 1%	1	PCS
R320	61L0603470	CHIPR 47 OHM +-5% 1/10W	1	PCS
R321	61L0603470	CHIPR 47 OHM +-5% 1/10W	1	PCS
R305	61L0603471	CHIPR 470 OHM+-5% 1/10W	1	PCS



R617	61L0603471	CHIPR 470 OHM+-5% 1/10W	1	PCS
R618	61L0603471	CHIPR 470 OHM+-5% 1/10W	1	PCS
R205	61L0603472	CHIPR 4.7K OHM +-5% 1/1	1	PCS
R207	61L0603472	CHIPR 4.7K OHM +-5% 1/1	1	PCS
R212	61L0603472	CHIPR 4.7K OHM +-5% 1/1	1	PCS
R318	61L0603472	CHIPR 4.7K OHM +-5% 1/1	1	PCS
R319	61L0603472	CHIPR 4.7K OHM +-5% 1/1	1	PCS
R402	61L0603472	CHIPR 4.7K OHM +-5% 1/1	1	PCS
R403	61L0603472	CHIPR 4.7K OHM +-5% 1/1	1	PCS
R616	61L0603472	CHIPR 4.7K OHM +-5% 1/1	1	PCS
R619	61L0603472	CHIPR 4.7K OHM +-5% 1/1	1	PCS
R301	61L0603750	CHIPR 75 OHM+-5% 1/10W	1	PCS
R302	61L0603750	CHIPR 75 OHM+-5% 1/10W	1	PCS
R303	61L0603750	CHIPR 75 OHM+-5% 1/10W	1	PCS
R304	61L0603750	CHIPR 75 OHM+-5% 1/10W	1	PCS
R306	61L0603750	CHIPR 75 OHM+-5% 1/10W	1	PCS
R307	61L0603750	CHIPR 75 OHM+-5% 1/10W	1	PCS
C305	65L0603102 32	1000PF +-10% 50V X7R	1	PCS
C201	65L0603104 32	CHIP 0.1UF 50V X7R	1	PCS
C203	65L0603104 32	CHIP 0.1UF 50V X7R	1	PCS
C205	65L0603104 32	CHIP 0.1UF 50V X7R	1	PCS
C207	65L0603104 32	CHIP 0.1UF 50V X7R	1	PCS
C210	65L0603104 32	CHIP 0.1UF 50V X7R	1	PCS
C212	65L0603104 32	CHIP 0.1UF 50V X7R	1	PCS
C214	65L0603104 32	CHIP 0.1UF 50V X7R	1	PCS
C216	65L0603104 32	CHIP 0.1UF 50V X7R	1	PCS
C217	65L0603104 32	CHIP 0.1UF 50V X7R	1	PCS
C313	65L0603104 32	CHIP 0.1UF 50V X7R	1	PCS
C401	65L0603104 32	CHIP 0.1UF 50V X7R	1	PCS
C403	65L0603104 32	CHIP 0.1UF 50V X7R	1	PCS
C404	65L0603104 32	CHIP 0.1UF 50V X7R	1	PCS
C405	65L0603104 32	CHIP 0.1UF 50V X7R	1	PCS
C406	65L0603104 32	CHIP 0.1UF 50V X7R	1	PCS
C407	65L0603104 32	CHIP 0.1UF 50V X7R	1	PCS
C409	65L0603104 32	CHIP 0.1UF 50V X7R	1	PCS
C410	65L0603104 32	CHIP 0.1UF 50V X7R	1	PCS
C412	65L0603104 32	CHIP 0.1UF 50V X7R	1	PCS
C413	65L0603104 32	CHIP 0.1UF 50V X7R	1	PCS
C414	65L0603104 32	CHIP 0.1UF 50V X7R	1	PCS
C415	65L0603104 32	CHIP 0.1UF 50V X7R	1	PCS

C417	65L0603104 32	CHIP 0.1UF 50V X7R	1	PCS
C418	65L0603104 32	CHIP 0.1UF 50V X7R	1	PCS
C420	65L0603104 32	CHIP 0.1UF 50V X7R	1	PCS
C421	65L0603104 32	CHIP 0.1UF 50V X7R	1	PCS
C423	65L0603104 32	CHIP 0.1UF 50V X7R	1	PCS
C424	65L0603104 32	CHIP 0.1UF 50V X7R	1	PCS
C425	65L0603104 32	CHIP 0.1UF 50V X7R	1	PCS
C429	65L0603104 32	CHIP 0.1UF 50V X7R	1	PCS
C510	65L0603104 32	CHIP 0.1UF 50V X7R	1	PCS
C511	65L0603104 32	CHIP 0.1UF 50V X7R	1	PCS
C601	65L0603104 32	CHIP 0.1UF 50V X7R	1	PCS
C605	65L0603104 32	CHIP 0.1UF 50V X7R	1	PCS
C606	65L0603104 32	CHIP 0.1UF 50V X7R	1	PCS
C607	65L0603104 32	CHIP 0.1UF 50V X7R	1	PCS
C608	65L0603104 32	CHIP 0.1UF 50V X7R	1	PCS
C609	65L0603104 32	CHIP 0.1UF 50V X7R	1	PCS
C610	65L0603104 32	CHIP 0.1UF 50V X7R	1	PCS
C613	65L0603104 32	CHIP 0.1UF 50V X7R	1	PCS
C614	65L0603104 32	CHIP 0.1UF 50V X7R	1	PCS
C426	65L0603220 31	CHIP 22PF 50V NPO	1	PCS
C427	65L0603220 31	CHIP 22PF 50V NPO	1	PCS
C602	65L0603220 31	CHIP 22PF 50V NPO	1	PCS
C604	65L0603220 31	CHIP 22PF 50V NPO	1	PCS
C312	65L0603221 31	CAP:CER 220PF 5% 50V SM	1	PCS
C311	65L0603470 31	CHIP 47PF 50V NPO	1	PCS
C302	65L0603473 32	CHIP 0.047UF 50V X7R	1	PCS
C303	65L0603473 32	CHIP 0.047UF 50V X7R	1	PCS
C304	65L0603473 32	CHIP 0.047UF 50V X7R	1	PCS
C308	65L0603473 32	CHIP 0.047UF 50V X7R	1	PCS
C309	65L0603473 32	CHIP 0.047UF 50V X7R	1	PCS
C310	65L0603473 32	CHIP 0.047UF 50V X7R	1	PCS
FB202	71L 56Z601	CHIP BEAD 600 OHM 0805	1	PCS
FB401	71L 56Z601	CHIP BEAD 600 OHM 0805	1	PCS
FB402	71L 56Z601	CHIP BEAD 600 OHM 0805	1	PCS
FB403	71L 56Z601	CHIP BEAD 600 OHM 0805	1	PCS
FB404	71L 56Z601	CHIP BEAD 600 OHM 0805	1	PCS
FB405	71L 56Z601	CHIP BEAD 600 OHM 0805	1	PCS
FB406	71L 56Z601	CHIP BEAD 600 OHM 0805	1	PCS
FB601	71L 56Z601	CHIP BEAD 600 OHM 0805	1	PCS
FB602	71L 56Z601	CHIP BEAD 600 OHM 0805	1	PCS

R621	71L 59B601 EA	CHIP BEAD 600 OHM	1	PCS
R622	71L 59B601 EA	CHIP BEAD 600 OHM	1	PCS
R623	71L 59B601 EA	CHIP BEAD 600 OHM	1	PCS
R624	71L 59B601 EA	CHIP BEAD 600 OHM	1	PCS
R630	71L 59B601 EA	CHIP BEAD 600 OHM	1	PCS
FB301	71L 59C300	30 OHM BEAD	1	PCS
FB302	71L 59C300	30 OHM BEAD	1	PCS
FB303	71L 59C300	30 OHM BEAD	1	PCS
U601	87L 202 44	PLCC SMT CONN PD41C-441	1	PCS
D305	93L 39147	TZMC5V6-GS08	1	PCS
D306	93L 39147	TZMC5V6-GS08	1	PCS
D307	93L 39147	TZMC5V6-GS08	1	PCS
D308	93L 39147	TZMC5V6-GS08	1	PCS
D309	93L 39147	TZMC5V6-GS08	1	PCS
D327	93L 39147	TZMC5V6-GS08	1	PCS
D328	93L 39147	TZMC5V6-GS08	1	PCS
D329	93L 39147	TZMC5V6-GS08	1	PCS
D305	93L 39149	MLL5232B BY FULL POWER	0	PCS
D306	93L 39149	MLL5232B BY FULL POWER	0	PCS
D307	93L 39149	MLL5232B BY FULL POWER	0	PCS
D308	93L 39149	MLL5232B BY FULL POWER	0	PCS
D309	93L 39149	MLL5232B BY FULL POWER	0	PCS
D327	93L 39149	MLL5232B BY FULL POWER	0	PCS
D328	93L 39149	MLL5232B BY FULL POWER	0	PCS
D329	93L 39149	MLL5232B BY FULL POWER	0	PCS
D304	93L 64 42 P	BAV70 SOT-23	1	PCS
D203	93L 6433P	BAV99	1	PCS
D301	93L 6433P	BAV99	1	PCS
D302	93L 6433P	BAV99	1	PCS
D303	93L 6433P	BAV99	1	PCS
D205	93L 39S 30 T	MLL5228B	1	PCS
D206	93L 39S 30 T	MLL5228B	1	PCS
D204	93L 39S 31 T	7.5V ZENER/MLL5236B	1	PCS
D201	93L2004 2A	SM240A	0	PCS
D201	93L3004 1	SMAL340XXXRO 3A 40V SMA	1	PCS
D201	93L3004 2	SR34 PAN JIT	0	PCS
D202	93L3020 19	ES3D 3A	1	PCS
	715L1253 E	MAIN BOARD	1	PCS
-----	-----	-----	-----	----
PARENT	NO :KEPC780KC8	KEY BOARD		

-----	-----	-----	-----	----
	AIK780KC8SMT	KEY BOARD	1	PCS
CN3	33L3802 2H	WAFER 2P RIGHT ANGLE	1	PCS
CN4	33L3802 2H	WAFER 2P RIGHT ANGLE	1	PCS
CN401	33L8027 18	PIN HEADER 18P	1	PCS
VR1	75L 35850322A	VR50K BLACK	1	PCS
SW1	77L 600 1GCJ	TACT SWITCH TSPB-2	0	PCS
SW2	77L 600 1GCJ	TACT SWITCH TSPB-2	0	PCS
SW3	77L 600 1GCJ	TACT SWITCH TSPB-2	0	PCS
SW4	77L 600 1GCJ	TACT SWITCH TSPB-2	0	PCS
SW1	77L 600 1GHJ	KEY SWITCH	1	PCS
SW2	77L 600 1GHJ	KEY SWITCH	1	PCS
SW3	77L 600 1GHJ	KEY SWITCH	1	PCS
SW4	77L 600 1GHJ	KEY SWITCH	1	PCS
DP1	81L 12 1 GP	GP32032ME/50-ZY	1	PCS
CN5	88L 30211K	PHONE JACK	1	PCS
GND1	95L 900561	WIRE HARNESS	1	PCS
-----	-----	-----	-----	----
PARENT	NO : AIK780KC8SMT	KEY BOARD		
-----	-----	-----	-----	----
	AIK780KC8	KEY BOARD FOR HP	1	PCS
C101	65L0603121 31	CHIP 120PF 50V NPO	1	PCS
C102	65L0603121 31	CHIP 120PF 50V NPO	1	PCS
C103	65L0603121 31	CHIP 120PF 50V NPO	1	PCS
C104	65L0603121 31	CHIP 120PF 50V NPO	1	PCS
C106	65L0603121 31	CHIP 120PF 50V NPO	1	PCS
C107	65L0603121 31	CHIP 120PF 50V NPO	1	PCS
FB101	71L 59B121	TB160808B121 SMD	1	PCS
FB102	71L 59B121	TB160808B121 SMD	1	PCS
-----	-----	-----	-----	----
PARENT	NO :AIK780KC8	KEY BOARD FOR HP		
-----	-----	-----	-----	----
	715L1248 1	KEY BOARD	1	PCS
J101	95L 90 23	TIN COATED	1	PCS
J102	95L 90 23	TIN COATED	0	PCS
J103	95L 90 23	TIN COATED	0	PCS
J104	95L 90 23	TIN COATED	0	PCS
J105	95L 90 23	TIN COATED	0	PCS
J106	95L 90 23	TIN COATED	0	PCS
J107	95L 90 23	TIN COATED	0	PCS

J108	95L 90 23	TIN COATED	0	PCS
J109	95L 90 23	TIN COATED	0	PCS
R101	61L 60247152T	470OHM +-5% 1/6W	1	PCS
R102	61L 60247152T	470OHM +-5% 1/6W	1	PCS
ZD101	93L 3973B52T	HZ6B2	1	PCS
ZD102	93L 3973B52T	HZ6B2	1	PCS
ZD103	93L 3973B52T	HZ6B2	1	PCS
ZD104	93L 3973B52T	HZ6B2	1	PCS
ZD105	93L 3973B52T	HZ6B2	1	PCS
ZD106	93L 3973B52T	HZ6B2	1	PCS
-----	-----	-----	-----	----
PARENT	NO :PWPC1742AUH2	POWER BOARD		
-----	-----	-----	-----	----
C912	65L306M2222B2	2200PF +-20% 250VAC	1	PCS
	705L 780 57 48	Q903 ASS'Y	1	PCS
	PW1742AUH2SMT	POWER BOARD FOR SMT	1	PCS
	PWPC1742AUH2AI	POWER BOARD	1	PCS
	13L 13 3	CANOE CLIP	3	PCS
CN201	33L8020 4D U	WAFER	1	PCS
CN202	33L8020 4D U	WAFER	1	PCS
CN201	33L8020 4D AC	CONN.4P DIP BY ACES	0	PCS
CN202	33L8020 4D AC	CONN.4P DIP BY ACES	0	PCS
CN901	33L8029 5A H	3 PIN CONNECTOR	1	PCS
	40L 45762420A	ID LABEL	1.03	PCS
	51L 6 4500	RTV 胶	0	G
	51L 6 4502	RTV 胶	2	G
	51L 6 4503	RTV 胶	0	G
	52L6025 11683	绝缘片	1	PCS
IC902	56L 139 3	PC123FY2 BY SHARP	0	PCS
IC902	56L 139 3A	PC123Y22	1	PCS
IC902	56L 139 3B	PC123 Y82	0	PCS
NR901	61L 58050 WT	NTC 5 OHM 5A	1	PCS
R903	61L152M10458F	100K OHM 5% 2W	1	PCS
R917	61L152M398 64	0.39 OHM 2W	1	PCS
C911	63L107K224 US	X2 0.22UF 275VAC MPX	1	PCS
C903	63L107K334 U	MPX 0.33UF,275VAC,+/-10%	1	PCS
C205	65L 3J2206ET	22PF 5% 3KV TDK	1	PCS
C208	65L 3J2206ET	22PF 5% 3KV TDK	1	PCS
C209	65L 3J2206ET	22PF 5% 3KV TDK	1	PCS
C236	65L 3J2206ET	22PF 5% 3KV TDK	1	PCS

C237	65L 3J2206ET	22PF 5% 3KV TDK	1	PCS
C239	65L 3J2206ET	22PF 5% 3KV TDK	1	PCS
C243	65L 3J2206ET	22PF 5% 3KV TDK	1	PCS
C244	65L 3J2206ET	22PF 5% 3KV TDK	1	PCS
C901	65L305M2222B2	2200PF 400VAC/250VAC	1	PCS
C902	65L305M2222B2	2200PF 400VAC/250VAC	1	PCS
C922	67L 215102 3H	1000UF +-20% 16V	1	PCS
C923	67L 215102 3H	1000UF +-20% 16V	1	PCS
C922	67L 215102 3K	1000UF +-20% 16V	0	PCS
C923	67L 215102 3K	1000UF +-20% 16V	0	PCS
C904	67L305S12114K	E.C 105 CAP	1	PCS
FB901	71L 55 29	FERRITE BEAD	1	PCS
L901	73L 174 26 T1	LINE LILTER 0.45mm	1	PCS
L903	73L 253 91 L	CHOKE BY LI TA	0	PCS
L904	73L 253 91 L	CHOKE BY LI TA	0	PCS
L903	73L 253 91 LS	CHOKE BY LI SHIN	1	PCS
L904	73L 253 91 LS	CHOKE BY LI SHIN	1	PCS
T901	80LL17T 2 L	ADAPTOR BY LITAI	0	PCS
T901	80LL17T 2 T	X'FMR	1	PCS
T901	80LL17T 2 LS	ADAPTOR BY LISHIN	0	PCS
PT201	80LL17T 18 DN	TRANSFORMER	1	PCS
PT202	80LL17T 18 DN	TRANSFORMER	1	PCS
PT201	80LL17T 18 LC	X"FMR	0	PCS
PT202	80LL17T 18 LC	X"FMR	0	PCS
DB901	93L 50460 8	BRIDGE 2KBP06M2A600V	1	PCS
D901	93L 6026T52T	RECTIFIER DIODE FR107	1	PCS
D902	93L 6038P52T	PS102R	1	PCS
D902	93L 6038T52T	FR103	0	PCS
CON10	2 95L8021 12514	POWER HARNESS	1	PCS
	705L 780 93 09	D910/D911	1	PCS
-----	-----	-----	-----	----
PARENT	NO : 705L 780 57 48	Q903 ASS'Y		
-----	-----	-----	-----	----
	51L 200 1	散热油	2	G
Q903	57L 667 20	AP2761I-A TO-220CFM	1	PCS
	90L6064 1	HEAT SINK	1	PCS
	M1L1730 8128	SCREW M3x8	1	PCS
-----	-----	-----	-----	----
PARENT	NO :PW1742AUH2SMT	POWER BOARD FOR SMT		
-----	-----	-----	-----	----

IC901	56L 379 33	SG6841S	1	PCS
IC201	56L 608 6	OZ960G SOP-20	1	PCS
Q206	57L 417 4	PMBS3904/PHILIPS-SMT(04	1	PCS
Q204	57L 600 40	SP8M3FTB SOP-8	1	PCS
Q208	57L 600 40	SP8M3FTB SOP-8	1	PCS
Q209	57L 600 40	SP8M3FTB SOP-8	1	PCS
Q210	57L 600 40	SP8M3FTB SOP-8	1	PCS
Q211	57L 759 2	RK7002 SOT-23	1	PCS
Q205	57L 760 4	DTA144WKA BY ROHM SMT(7	1	PCS
Q207	57L 760 5	DTC144WKA BY ROHM SMT(8	1	PCS
R927	61L0805000	CHIP O OHM 1/8W	1	PCS
R201	61L0805100 1F	SMD 10KOHM/0805/+1% 1/	1	PCS
R205	61L0805100 1F	SMD 10KOHM/0805/+1% 1/	1	PCS
R206	61L0805100 1F	SMD 10KOHM/0805/+1% 1/	1	PCS
R218	61L0805100 1F	SMD 10KOHM/0805/+1% 1/	1	PCS
R239	61L0805100 1F	SMD 10KOHM/0805/+1% 1/	1	PCS
R203	61L0805100 2F	CHIP 10K OHM 1/8W 1%	1	PCS
R204	61L0805100 2F	CHIP 10K OHM 1/8W 1%	1	PCS
R207	61L0805100 2F	CHIP 10K OHM 1/8W 1%	1	PCS
R223	61L0805100 4F	CHIPR 1M OHM +-1% 1/8W	1	PCS
R912	61L0805101	CHIPR 100 OHM +-5% 1/8W	1	PCS
R925	61L0805102	CHIPR 1K OHM +-5% 1/8W	1	PCS
R926	61L0805102	CHIPR 1K OHM +-5% 1/8W	1	PCS
R928	61L0805102	CHIPR 1K OHM +-5% 1/8W	1	PCS
R913	61L0805103	CHIPR 10K OHM +-5% 1/8W	1	PCS
R916	61L0805103	CHIPR 10K OHM +-5% 1/8W	1	PCS
R215	61L0805200 0F	CHIPR 200OHM +-1% 1/8W	1	PCS
R234	61L0805200 0F	CHIPR 200OHM +-1% 1/8W	1	PCS
R220	61L0805220	CHIP 22 OHM 5% 0805 1/8	1	PCS
R915	61L0805220	CHIP 22 OHM 5% 0805 1/8	1	PCS
R932	61L0805221	CHIPR 220 OHM +-5% 1/8W	1	PCS
R217	61L0805240 2F	CHIP 24KOHM 1% 1/8W	1	PCS
R924	61L0805242	CHIP 2.4KOHM 1% 1/8W	1	PCS
R914	61L0805243	SMD 24KOHM/0805/+5% 1/	1	PCS
R246	61L0805302	CHIP 3KOHM+-5% 1/8W	1	PCS
R249	61L0805302	CHIP 3KOHM+-5% 1/8W	1	PCS
R226	61L0805334	CHIP 330KOHM 5% 0805 1/	1	PCS
R237	61L0805394	CHIP 390KOHM 5% 0805 1/	1	PCS
R910	61L0805472	CHIRP 4.7K OHM +-5% 1/8	1	PCS
R911	61L0805472	CHIRP 4.7K OHM +-5% 1/8	1	PCS

R236	61L0805514	510KOHM 1/8W	1	PCS
R248	61L0805750 2F	cHIP 75KOHM 1% 1/8W	1	PCS
R219	61L0805912	CHIP 9.1KOHM 5% 0805 1/	1	PCS
JR201	61L1206000	CHIPR 0 OHM +-5% 1/4W	1	PCS
R908	61L1206000	CHIPR 0 OHM +-5% 1/4W	1	PCS
R929	61L1206101	CHIP 100 OHM 5% 1/4W	1	PCS
R906	61L1206105	CHIP 1MOHM 5% 1/4W	1	PCS
R907	61L1206105	CHIP 1MOHM 5% 1/4W	1	PCS
R202	61L1206150 9F	CHIPR 15 OHM +-1% 1/4W	1	PCS
R900	61L1206394	CHIPR 390KOHM+-5% 1/4W	1	PCS
R901	61L1206394	CHIPR 390KOHM+-5% 1/4W	1	PCS
R902	61L1206394	CHIPR 390KOHM+-5% 1/4W	1	PCS
R244	61L1206471	CHIPR 470 OHM+-5% 1/4W	1	PCS
R909	61L1206472	CHIP 4.7KOHM 5% 1/4W	1	PCS
C910	65L0805102 32	CHIP 1000P 50VX7R 0805	1	PCS
C211	65L0805104 22	0.1UF +-10% 25V X7R 080	1	PCS
C202	65L0805104 32	CHIP 0.1UF 50V X7R	1	PCS
C210	65L0805104 32	CHIP 0.1UF 50V X7R	1	PCS
C212	65L0805104 32	CHIP 0.1UF 50V X7R	1	PCS
C217	65L0805104 32	CHIP 0.1UF 50V X7R	1	PCS
C226	65L0805104 32	CHIP 0.1UF 50V X7R	1	PCS
C227	65L0805104 32	CHIP 0.1UF 50V X7R	1	PCS
C229	65L0805104 32	CHIP 0.1UF 50V X7R	1	PCS
C235	65L0805104 32	CHIP 0.1UF 50V X7R	1	PCS
C240	65L0805104 32	CHIP 0.1UF 50V X7R	1	PCS
C907	65L0805104 32	CHIP 0.1UF 50V X7R	1	PCS
C909	65L0805104 32	CHIP 0.1UF 50V X7R	1	PCS
C926	65L0805104 32	CHIP 0.1UF 50V X7R	1	PCS
C927	65L0805104 32	CHIP 0.1UF 50V X7R	1	PCS
C929	65L0805104 32	CHIP 0.1UF 50V X7R	1	PCS
C213	65L0805105 22	CHIP 1UF 25V X7R 0805	1	PCS
C219	65L0805105 22	CHIP 1UF 25V X7R 0805	1	PCS
C222	65L0805105 22	CHIP 1UF 25V X7R 0805	1	PCS
C232	65L0805152 22	CHIP 0.005UF 25V X7R 08	1	PCS
C215	65L0805183 32	CAP 0.018UF +-5%	1	PCS
C241	65L0805183 32	CAP 0.018UF +-5%	1	PCS
C216	65L0805332 32	3200PF/25V/X7R	1	PCS
C242	65L0805332 32	3200PF/25V/X7R	1	PCS
C218	65L0805471 21	CHIP 470PF 25V NPO	1	PCS
C930	65L0805471 21	CHIP 470PF 25V NPO	1	PCS



C228	65L0805472 32	4700PF/50V/0805/X7R	1	PCS
C214	65L0805473 32	CHIP 0.047UF 50V X7R	1	PCS
C230	65L0805473 32	CHIP 0.047UF 50V X7R	1	PCS
C221	65L0805474 22	CHIP 0.47UF 25V X7R 080	1	PCS
C224	65L0805682 32	CHIP 6.8UF 50V X7R 0805	1	PCS
C203	65L1206225 22	2.2UF 25V X7R 1206	1	PCS
C206	65L1206225 22	2.2UF 25V X7R 1206	1	PCS
C207	65L1206225 22	2.2UF 25V X7R 1206	1	PCS
C231	65L1206225 22	2.2UF 25V X7R 1206	1	PCS
C233	65L1206225 22	2.2UF 25V X7R 1206	1	PCS
C234	65L1206225 22	2.2UF 25V X7R 1206	1	PCS
D903	93L 6432V	LL4148-GS08	1	PCS
D904	93L 6432V	LL4148-GS08	1	PCS
D201	93L 6433G	BAV99-SMT	0	PCS
D204	93L 6433G	BAV99-SMT	0	PCS
D206	93L 6433G	BAV99-SMT	0	PCS
D210	93L 6433G	BAV99-SMT	0	PCS
D201	93L 6433P	BAV99	1	PCS
D204	93L 6433P	BAV99	1	PCS
D206	93L 6433P	BAV99	1	PCS
D210	93L 6433P	BAV99	1	PCS
ZD904	93L 39S 16 T	SML4737A/1	0	PCS
ZD904	93L 39S 19 T	PTZ7.5B	1	PCS
ZD901	93L 39S 20 T	RLZ22B BY ROHM	1	PCS
ZD901	93L 39S 23 T	PLZ22B	0	PCS
ZD201	93L 39S 24 T	RLZTE-115.6B ROHM	1	PCS
ZD202	93L 39S 24 T	RLZTE-115.6B ROHM	1	PCS
ZD203	93L 39S 24 T	RLZTE-115.6B ROHM	1	PCS
-----	-----	-----	-----	----
PARENT	NO :PWPC1742AUH2AI	POWER BOARD		
-----	-----	-----	-----	----
CN901	6L 31500	EYELET	3	PCS
C904	6L 31502	1.5MM RIVET	2	PCS
L901	6L 31502	1.5MM RIVET	4	PCS
NR901	6L 31502	1.5MM RIVET	2	PCS
PT201	6L 31502	1.5MM RIVET	2	PCS
PT202	6L 31502	1.5MM RIVET	2	PCS
T901	6L 31502	1.5MM RIVET	4	PCS
	715L1236 1AUO	PCB	1	PCS
C204	95L 90 23	TIN COATED	0	PCS

C238	95L 90 23	TIN COATED	0	PCS
C245	95L 90 23	TIN COATED	0	PCS
C246	95L 90 23	TIN COATED	0	PCS
J903	95L 90 23	TIN COATED	0	PCS
J904	95L 90 23	TIN COATED	0	PCS
J905	95L 90 23	TIN COATED	0	PCS
J906	95L 90 23	TIN COATED	0	PCS
J907	95L 90 23	TIN COATED	0	PCS
J908	95L 90 23	TIN COATED	0	PCS
J910	95L 90 23	TIN COATED	0	PCS
J911	95L 90 23	TIN COATED	0	PCS
J913	95L 90 23	TIN COATED	0	PCS
J914	95L 90 23	TIN COATED	0	PCS
J916	95L 90 23	TIN COATED	0	PCS
J918	95L 90 23	TIN COATED	0	PCS
J925	95L 90 23	TIN COATED	0	PCS
J927	95L 90 23	TIN COATED	0	PCS
J928	95L 90 23	TIN COATED	0	PCS
J929	95L 90 23	TIN COATED	0	PCS
J930	95L 90 23	TIN COATED	0	PCS
J933	95L 90 23	TIN COATED	0	PCS
J934	95L 90 23	TIN COATED	0	PCS
J935	95L 90 23	TIN COATED	0	PCS
J936	95L 90 23	TIN COATED	0	PCS
J937	95L 90 23	TIN COATED	0	PCS
J938	95L 90 23	TIN COATED	0	PCS
J939	95L 90 23	TIN COATED	0	PCS
J940	95L 90 23	TIN COATED	0	PCS
J941	95L 90 23	TIN COATED	0	PCS
J942	95L 90 23	TIN COATED	0	PCS
J943	95L 90 23	TIN COATED	0	PCS
J944	95L 90 23	TIN COATED	0	PCS
J945	95L 90 23	TIN COATED	0	PCS
J948	95L 90 23	TIN COATED	0	PCS
R922	61L 21033352T	33K 1/6W 1%	1	PCS
R923	61L 21036252T	3.6K 1/6W 1%	1	PCS
R209	61L 60222052T	CFR 22 OHM+-5% 1/6W	1	PCS
R221	61L 60233352T	33KOHM 1% 1/6W	1	PCS
R222	61L 60251352T	51KOHM +-5% 1/6W	1	PCS
R920	61L175L47052T	47OHM +-5% 1/2W	1	PCS

R921	61L175L47052T	470OHM +-5% 1/2W	1	PCS
F901	84L 56 1	FUSE 2A 250V WICKMANN	1	PCS
ZD902	93L 39 7152T	HZ15-1	1	PCS
ZD903	93L 3951352T	HZ6C2	1	PCS
IC903	56L 158 10 T	AZ431AZ-A TO-92	1	PCS
Q902	57L 419 PP T	2PC945P	1	PCS
Q901	57L 420 PP T	2PA733P	1	PCS
C905	65L 1K222 2T	0.0022UF 1KV +-10%	1	PCS
C920	65L517K102 5T	1000PF 10% Y5P 500V	1	PCS
C921	65L517K102 5T	1000PF 10% Y5P 500V	1	PCS
C906	67L 305220 7T	22UF +-20% 50V	1	PCS
C924	67L215B4713HT	470UF 16V LTR471M1CF11V	1	PCS
C925	67L215B4713HT	470UF 16V LTR471M1CF11V	1	PCS
C924	67L215B4713KT	LOW ESR 470UF16V BY HER	0	PCS
C925	67L215B4713KT	LOW ESR 470UF16V BY HER	0	PCS
C201	67L215C4713KT	470UF/16V	1	PCS
C225	67L215C4713KT	470UF/16V	1	PCS
C931	67L215L1007KT	10UF 50V	1	PCS
J912	95L 90 23	TIN COATED	0	PCS
-----	-----	-----	-----	----
PARENT	NO : 705L 780 93 09	D910/D911		
-----	-----	-----	-----	----
	51L 200 1	散热油	2	G
	90L6064 1	HEAT SINK	1	PCS
D911	93L 60237	SRF20100C	1	PCS
D910	93L 60245	SP10150	1	PCS
	M1L1730 8128	SCREW M3x8	2	PCS
-----	-----	-----	-----	----
PARENT	NO : 705L780KP34 H4	BACK COVER ASS'Y		
-----	-----	-----	-----	----
	12L 394 4	RUBBER FOOT	6	PCS
	15L8007 1	BASE BRACKET	1	PCS
	33L4595 FE L	POWER COVER	1	PCS
	33L4597 FE L	OSD BUTTON	1	PCS
	33L4598 1	POWER LENS	1	PCS
	33L4640 A7 L	POWER KNOB	1	PCS
	34L1314 EY B	BASE	1	PCS
	34L1315AA5 B	BEZEL	1	PCS
	37L6014 GC A	HINGE	1	PCS
	78L 329 1 L	SPEAKER 40HM/2W	1	PCS

	78L 329 1 R	SPEAKER 40HM/2W	1	PCS
	Q1L 130 6120	SCREW (T3X6)	8	PCS
	Q1L1030 8128	SCREW	4	PCS
-----	-----	-----	-----	----
PARENT	NO : 705L780KP87 HP	AC INPUT ASS'Y		
-----	-----	-----	-----	----
	CNPC780HP	CONVERSION BOARD FOR T7	1	PCS
	15L8010 1	AC SUPPORT BRACKET	1	PCS
	52L6025 11552	MYLAR	1	PCS
	87L 501 13 CJ	AC SOCKET ASS'Y	0	PCS
	87L 501 13 RF	AC SOCKET	1	PCS
	95L205S354022	HARNESS	1	PCS
	95L8021 2505	WIRE HARNESS	1	PCS
	96L 29 6	SHRINK TUBE UL/CSA	60	MM
	M1L 330 4128	SCREW M3X4	1	PCS
-----	-----	-----	-----	----
PARENT	NO: CNPC780HP	CONVERSION BOARD FOR T80		
-----	-----	-----	-----	----
	CNPC780HPAI	CNPC BOARD	1	PCS
J1	88L 30213S	PHONE JACK 3P GREEN	1	PCS
JP1	95L8014 3504	CNPC HARNESS	1	PCS
-----	-----	-----	-----	----
PARENT	NO:CNPC780HPAI	CNPC BOARD		
-----	-----	-----	-----	----
	715L1313 1	CNPC BOARD	1	PCS
C001	65L 44212113T	120PF/50V	1	PCS
C002	65L 44212113T	120PF/50V	1	PCS

## T780KQXHKHHPN

插件位置	元件料号编号	品名规格	来源	组成 用量	单位
	CBPC780KQXHP	CONVERSION BOARD	M	1	PCS
	KEPC780KC7	KEY BOARD	M	1	PCS
	PWPC1742QDH1	POWER BOARD	M	1	PCS
	15L5689 3 A	GROUND CLAMP	P	1	PCS
	15L8006 2	MAIN FRAME(AU EN05)	P	1	PCS
	15L8008 1	HINGE BRACKET	P	1	PCS
	34L1310 CM L	REAR COVER	P	1	PCS
	34L1311 CM L	LOGO COVER	P	1	PCS
	40L 190690 1	ID LABEL	P	1	PCS
	40L 581 26704	唛头纸 FOR CARTON/PALLET	P	0.01	PCS
	44L3231 15	EVA WASHER	P	1	PCS
	44L3731624 1A	CARTON	P	1	PCS
	44L3732 1	EPS	P	1	PCS
	44L3732 2	EPS	P	1	PCS
	45L 76 28 H	PE BAG FOR MANUAL	P	1	PCS
	45L 77 3	打包膜	P	398	CM
	45L 77500	BARCODE RIBBON	P	19	CM
	45L 77501	BARCODE RIBBON	P	0.5	CM
	45L 88609 2	EPE COVER	P	1	PCS
	45L 88626 H	PE BAG FOR MONITOR	P	1	PCS
	52L 1186	SMALL TAPE	P	8	CM
	52L 1211 A	ALUMINIUM TAPE	P	2	PCS
	52L 1211505		P	1	PCS
	52L6020 1	PROTECT FILM	P	1	PCS
	52L6022 3	SMALL TAPE	P	15	CM
	52L6025 11657	INSULATE SHEET	P	1	PCS
	52L6025 11658	INSULATE SHEET	P	1	PCS
	85L 667 1	SHIELD	P	1	PCS
	89L1735GAA 13	SIGNAL CABLE	P	1	PCS
	89L402A18N IS	POWER CORD	P	1	PCS
	95L8014 12 11	HARNESS	P	1	PCS
	95L8014 16 23	HARNESS	P	1	PCS
	95L8018 30 34	WIRELARNESS/LVDS	P	1	PCS
	M1L 330 4128	SCREW M3X4	P	2	PCS
	M1L 330 6128	SCREW	P	1	PCS
	M1L 330 6128	SCREW	P	4	PCS

	M1L1140 6128	SCREW 4X6	P	1	PCS
	M1L1730 6128	SCREW M3x6	P	9	PCS
	M1L2130 4120	SCREW	P	1	PCS
	Q1L 330 8120	SCREW 3X8mm	P	3	PCS
	Q1L 340 10 47	SCREW 4X10mm	P	2	PCS
	Q1L1030 8128	SCREW	P	2	PCS
	705L780KP34 03	支架 ASS'Y	X	1	PCS
	705L780KP87 01	AC SOKET ASS'Y	M	1	PCS
	750LLQ70L07 1	QDI 17" L07 VER 3.0 RAN	P	1	PCS
	AIC780KQXHP	MAIN BOARD	M	1	PCS
CN503	33L801724E H	PIN	P	1	PCS
CN201	33L8027 12	WAFER 2*6P 2.0MM R/A	P	1	PCS
CN303	33L8027 14 H	WAFER 14P 2.0MM DIP DUA	P	1	PCS
CN602	33L8027 16	WAFER 16PIN 2.0mm DIP	P	1	PCS
	40L 457624 1B	CPU LABEL	P	1	PCS
	40L 45762412A	CBPC LABEL	P	1	PCS
U601	56L1125543QP1	MYSON MTV512MV	P	1	PCS
C211	67L215B1014HV	EC 100UF 25V LTR101M1EE	P	1	PCS
C215	67L215B1014HV	EC 100UF 25V LTR101M1EE	P	1	PCS
C202	67L215B2214HV	LOW ESR 220UF 25V 8*11	P	1	PCS
C204	67L215B2214HV	LOW ESR 220UF 25V 8*11	P	1	PCS
C208	67L309V100 4	10UF +-20% 25V	P	1	PCS
C402	67L309V100 4	10UF +-20% 25V	P	1	PCS
C411	67L309V100 4	10UF +-20% 25V	P	1	PCS
C416	67L309V100 4	10UF +-20% 25V	P	1	PCS
C419	67L309V100 4	10UF +-20% 25V	P	1	PCS
C422	67L309V100 4	10UF +-20% 25V	P	1	PCS
C428	67L309V100 4	10UF +-20% 25V	P	1	PCS
C206	67L309V109 7	1UF +-20% 50V	P	1	PCS
X601	93L 22 51	CRYSTAL 12MHz HC-49US A	P	1	PCS
X401	93L 22 53	CRYSTAL 14.318MHzHC-49U	P	1	PCS
U401	56L 562 53	MST9111B PQFP-128	P	1	PCS
U202	56L 563 7	AIC1084-33CM	P	1	PCS
U201	56L 585 7	RT9164-25CL	P	1	PCS
U203	56L 643 5A	MAX810STR SOT-23	P	1	PCS
U301	56L1133 20	AT24C02N-10SC BY ATMEL	P	1	PCS
U602	56L1133 24	AT24C16N-10SC-2.7	P	1	PCS
Q201	57L 417 4	PMBS3904/PHILIPS-SMT(04	P	1	PCS
Q202	57L 417 4	PMBS3904/PHILIPS-SMT(04	P	1	PCS
Q204	57L 417 4	PMBS3904/PHILIPS-SMT(04	P	1	PCS

Q601	57L 417 6	PMBS3906/PHILIPS-SMT(06	P	1	PCS
Q602	57L 417 6	PMBS3906/PHILIPS-SMT(06	P	1	PCS
Q203	57L 763 1	A03401 SOT23 BY AOS(A1)	P	1	PCS
RN601	61L 125103 8	CHIP AR 8P4R 10KOHM +-5	P	1	PCS
RN602	61L 125103 8	CHIP AR 8P4R 10KOHM +-5	P	1	PCS
RN603	61L 125103 8	CHIP AR 8P4R 10KOHM +-5	P	1	PCS
RN604	61L 125103 8	CHIP AR 8P4R 10KOHM +-5	P	1	PCS
R201	61L0603000	CHIPR 0OHM +-5% 1/10W	P	1	PCS
R209	61L0603000	CHIPR 0OHM +-5% 1/10W	P	1	PCS
R351	61L0603000	CHIPR 0OHM +-5% 1/10W	P	1	PCS
R355	61L0603000	CHIPR 0OHM +-5% 1/10W	P	1	PCS
R357	61L0603000	CHIPR 0OHM +-5% 1/10W	P	1	PCS
R358	61L0603000	CHIPR 0OHM +-5% 1/10W	P	1	PCS
R359	61L0603000	CHIPR 0OHM +-5% 1/10W	P	1	PCS
R502	61L0603000	CHIPR 0OHM +-5% 1/10W	P	1	PCS
R638	61L0603000	CHIPR 0OHM +-5% 1/10W	P	1	PCS
R308	61L0603101	CHIPR 100 OHM +-5% 1/10	P	1	PCS
R309	61L0603101	CHIPR 100 OHM +-5% 1/10	P	1	PCS
R310	61L0603101	CHIPR 100 OHM +-5% 1/10	P	1	PCS
R312	61L0603101	CHIPR 100 OHM +-5% 1/10	P	1	PCS
R314	61L0603101	CHIPR 100 OHM +-5% 1/10	P	1	PCS
R608	61L0603101	CHIPR 100 OHM +-5% 1/10	P	1	PCS
R609	61L0603101	CHIPR 100 OHM +-5% 1/10	P	1	PCS
R636	61L0603101	CHIPR 100 OHM +-5% 1/10	P	1	PCS
R203	61L0603102	CHIPR 1K OHM +-5% 1/10W	P	1	PCS
R204	61L0603102	CHIPR 1K OHM +-5% 1/10W	P	1	PCS
R315	61L0603102	CHIPR 1K OHM +-5% 1/10W	P	1	PCS
R202	61L0603103	CHIPR 10K OHM +-5% 1/10	P	1	PCS
R206	61L0603103	CHIPR 10K OHM +-5% 1/10	P	1	PCS
R208	61L0603103	CHIPR 10K OHM +-5% 1/10	P	1	PCS
R211	61L0603103	CHIPR 10K OHM +-5% 1/10	P	1	PCS
R213	61L0603103	CHIPR 10K OHM +-5% 1/10	P	1	PCS
R311	61L0603103	CHIPR 10K OHM +-5% 1/10	P	1	PCS
R317	61L0603103	CHIPR 10K OHM +-5% 1/10	P	1	PCS
R601	61L0603103	CHIPR 10K OHM +-5% 1/10	P	1	PCS
R602	61L0603103	CHIPR 10K OHM +-5% 1/10	P	1	PCS
R604	61L0603103	CHIPR 10K OHM +-5% 1/10	P	1	PCS
R605	61L0603103	CHIPR 10K OHM +-5% 1/10	P	1	PCS
R606	61L0603103	CHIPR 10K OHM +-5% 1/10	P	1	PCS
R607	61L0603103	CHIPR 10K OHM +-5% 1/10	P	1	PCS

R613	61L0603103	CHIPR 10K OHM +-5% 1/10	P	1	PCS
R614	61L0603103	CHIPR 10K OHM +-5% 1/10	P	1	PCS
R631	61L0603103	CHIPR 10K OHM +-5% 1/10	P	1	PCS
R642	61L0603103	CHIPR 10K OHM +-5% 1/10	P	1	PCS
R643	61L0603103	CHIPR 10K OHM +-5% 1/10	P	1	PCS
R639	61L0603104	CHIPR 100K OHM +-5% 1/1	P	1	PCS
FB304	61L0603151	CHIPR 150 OHM +-5% 1/10	P	1	PCS
R313	61L0603151	CHIPR 150 OHM +-5% 1/10	P	1	PCS
R501	61L0603202	CHIPR 2K OHM+-5% 1/10W	P	1	PCS
R610	61L0603221	CHIPR 220 OHM+-5% 1/10W	P	1	PCS
R611	61L0603221	CHIPR 220 OHM+-5% 1/10W	P	1	PCS
R316	61L0603222	CHIPR 2.2K OHM+-5% 1/10	P	1	PCS
R401	61L0603390 0F	CHIP 390 OHM 1/10W 1%	P	1	PCS
R320	61L0603470	CHIPR 47 OHM +-5% 1/10W	P	1	PCS
R321	61L0603470	CHIPR 47 OHM +-5% 1/10W	P	1	PCS
R305	61L0603471	CHIPR 470 OHM+-5% 1/10W	P	1	PCS
R617	61L0603471	CHIPR 470 OHM+-5% 1/10W	P	1	PCS
R618	61L0603471	CHIPR 470 OHM+-5% 1/10W	P	1	PCS
R205	61L0603472	CHIPR 4.7K OHM +-5% 1/1	P	1	PCS
R207	61L0603472	CHIPR 4.7K OHM +-5% 1/1	P	1	PCS
R212	61L0603472	CHIPR 4.7K OHM +-5% 1/1	P	1	PCS
R318	61L0603472	CHIPR 4.7K OHM +-5% 1/1	P	1	PCS
R319	61L0603472	CHIPR 4.7K OHM +-5% 1/1	P	1	PCS
R402	61L0603472	CHIPR 4.7K OHM +-5% 1/1	P	1	PCS
R403	61L0603472	CHIPR 4.7K OHM +-5% 1/1	P	1	PCS
R616	61L0603472	CHIPR 4.7K OHM +-5% 1/1	P	1	PCS
R619	61L0603472	CHIPR 4.7K OHM +-5% 1/1	P	1	PCS
R301	61L0603750	CHIPR 75 OHM+-5% 1/10W	P	1	PCS
R302	61L0603750	CHIPR 75 OHM+-5% 1/10W	P	1	PCS
R303	61L0603750	CHIPR 75 OHM+-5% 1/10W	P	1	PCS
R304	61L0603750	CHIPR 75 OHM+-5% 1/10W	P	1	PCS
R306	61L0603750	CHIPR 75 OHM+-5% 1/10W	P	1	PCS
R307	61L0603750	CHIPR 75 OHM+-5% 1/10W	P	1	PCS
C305	65L0603102 32	1000PF +-10% 50V X7R	P	1	PCS
C201	65L0603104 32	CHIP 0.1UF 50V X7R	P	1	PCS
C203	65L0603104 32	CHIP 0.1UF 50V X7R	P	1	PCS
C205	65L0603104 32	CHIP 0.1UF 50V X7R	P	1	PCS
C207	65L0603104 32	CHIP 0.1UF 50V X7R	P	1	PCS
C210	65L0603104 32	CHIP 0.1UF 50V X7R	P	1	PCS
C212	65L0603104 32	CHIP 0.1UF 50V X7R	P	1	PCS



C214	65L0603104 32	CHIP 0.1UF 50V X7R	P	1	PCS
C216	65L0603104 32	CHIP 0.1UF 50V X7R	P	1	PCS
C217	65L0603104 32	CHIP 0.1UF 50V X7R	P	1	PCS
C313	65L0603104 32	CHIP 0.1UF 50V X7R	P	1	PCS
C401	65L0603104 32	CHIP 0.1UF 50V X7R	P	1	PCS
C403	65L0603104 32	CHIP 0.1UF 50V X7R	P	1	PCS
C404	65L0603104 32	CHIP 0.1UF 50V X7R	P	1	PCS
C405	65L0603104 32	CHIP 0.1UF 50V X7R	P	1	PCS
C406	65L0603104 32	CHIP 0.1UF 50V X7R	P	1	PCS
C407	65L0603104 32	CHIP 0.1UF 50V X7R	P	1	PCS
C409	65L0603104 32	CHIP 0.1UF 50V X7R	P	1	PCS
C410	65L0603104 32	CHIP 0.1UF 50V X7R	P	1	PCS
C412	65L0603104 32	CHIP 0.1UF 50V X7R	P	1	PCS
C413	65L0603104 32	CHIP 0.1UF 50V X7R	P	1	PCS
C414	65L0603104 32	CHIP 0.1UF 50V X7R	P	1	PCS
C415	65L0603104 32	CHIP 0.1UF 50V X7R	P	1	PCS
C417	65L0603104 32	CHIP 0.1UF 50V X7R	P	1	PCS
C418	65L0603104 32	CHIP 0.1UF 50V X7R	P	1	PCS
C420	65L0603104 32	CHIP 0.1UF 50V X7R	P	1	PCS
C421	65L0603104 32	CHIP 0.1UF 50V X7R	P	1	PCS
C423	65L0603104 32	CHIP 0.1UF 50V X7R	P	1	PCS
C424	65L0603104 32	CHIP 0.1UF 50V X7R	P	1	PCS
C425	65L0603104 32	CHIP 0.1UF 50V X7R	P	1	PCS
C429	65L0603104 32	CHIP 0.1UF 50V X7R	P	1	PCS
C510	65L0603104 32	CHIP 0.1UF 50V X7R	P	1	PCS
C511	65L0603104 32	CHIP 0.1UF 50V X7R	P	1	PCS
C601	65L0603104 32	CHIP 0.1UF 50V X7R	P	1	PCS
C605	65L0603104 32	CHIP 0.1UF 50V X7R	P	1	PCS
C606	65L0603104 32	CHIP 0.1UF 50V X7R	P	1	PCS
C607	65L0603104 32	CHIP 0.1UF 50V X7R	P	1	PCS
C608	65L0603104 32	CHIP 0.1UF 50V X7R	P	1	PCS
C609	65L0603104 32	CHIP 0.1UF 50V X7R	P	1	PCS
C610	65L0603104 32	CHIP 0.1UF 50V X7R	P	1	PCS
C614	65L0603104 32	CHIP 0.1UF 50V X7R	P	1	PCS
C426	65L0603220 31	CHIP 22PF 50V NPO	P	1	PCS
C427	65L0603220 31	CHIP 22PF 50V NPO	P	1	PCS
C602	65L0603220 31	CHIP 22PF 50V NPO	P	1	PCS
C604	65L0603220 31	CHIP 22PF 50V NPO	P	1	PCS
C312	65L0603221 31	CAP:CER 220PF 5% 50V SM	P	1	PCS
C311	65L0603470 31	CHIP 47PF 50V NPO	P	1	PCS

C302	65L0603473 32	CHIP 0.047UF 50V X7R	P	1	PCS
C303	65L0603473 32	CHIP 0.047UF 50V X7R	P	1	PCS
C304	65L0603473 32	CHIP 0.047UF 50V X7R	P	1	PCS
C308	65L0603473 32	CHIP 0.047UF 50V X7R	P	1	PCS
C309	65L0603473 32	CHIP 0.047UF 50V X7R	P	1	PCS
C310	65L0603473 32	CHIP 0.047UF 50V X7R	P	1	PCS
FB202	71L 56Z601	CHIP BEAD 600 OHM 0805	P	1	PCS
FB401	71L 56Z601	CHIP BEAD 600 OHM 0805	P	1	PCS
FB402	71L 56Z601	CHIP BEAD 600 OHM 0805	P	1	PCS
FB403	71L 56Z601	CHIP BEAD 600 OHM 0805	P	1	PCS
FB404	71L 56Z601	CHIP BEAD 600 OHM 0805	P	1	PCS
FB405	71L 56Z601	CHIP BEAD 600 OHM 0805	P	1	PCS
FB406	71L 56Z601	CHIP BEAD 600 OHM 0805	P	1	PCS
R621	71L 59B601 EA	CHIP BEAD 600 OHM	P	1	PCS
R622	71L 59B601 EA	CHIP BEAD 600 OHM	P	1	PCS
R623	71L 59B601 EA	CHIP BEAD 600 OHM	P	1	PCS
R624	71L 59B601 EA	CHIP BEAD 600 OHM	P	1	PCS
R630	71L 59B601 EA	CHIP BEAD 600 OHM	P	1	PCS
FB301	71L 59C300	30 OHM BEAD	P	1	PCS
FB302	71L 59C300	30 OHM BEAD	P	1	PCS
FB303	71L 59C300	30 OHM BEAD	P	1	PCS
U601	87L 202 44	PLCC SMT CONN PD41C-441	P	1	PCS
D305	93L 39147	TZMC5V6-GS08	P	1	PCS
D306	93L 39147	TZMC5V6-GS08	P	1	PCS
D307	93L 39147	TZMC5V6-GS08	P	1	PCS
D308	93L 39147	TZMC5V6-GS08	P	1	PCS
D309	93L 39147	TZMC5V6-GS08	P	1	PCS
D327	93L 39147	TZMC5V6-GS08	P	1	PCS
D328	93L 39147	TZMC5V6-GS08	P	1	PCS
D329	93L 39147	TZMC5V6-GS08	P	1	PCS
D305	93L 39149	MLL5232B BY FULL POWER	P	0	PCS
D306	93L 39149	MLL5232B BY FULL POWER	P	0	PCS
D307	93L 39149	MLL5232B BY FULL POWER	P	0	PCS
D308	93L 39149	MLL5232B BY FULL POWER	P	0	PCS
D309	93L 39149	MLL5232B BY FULL POWER	P	0	PCS
D327	93L 39149	MLL5232B BY FULL POWER	P	0	PCS
D328	93L 39149	MLL5232B BY FULL POWER	P	0	PCS
D329	93L 39149	MLL5232B BY FULL POWER	P	0	PCS
D304	93L 64 42 P	BAV70 SOT-23	P	1	PCS
D203	93L 6433P	BAV99	P	1	PCS

D301	93L 6433P	BAV99	P	1	PCS
D302	93L 6433P	BAV99	P	1	PCS
D303	93L 6433P	BAV99	P	1	PCS
D205	93L 39S 30 T	MLL5228B	P	1	PCS
D206	93L 39S 30 T	MLL5228B	P	1	PCS
D204	93L 39S 31 T	7.5V ZENER/MLL5236B	P	1	PCS
D201	93L3004 1	SMAL340XXXRO 3A 40V SMA	P	1	PCS
D201	93L3004 2	SR34 PAN JIT	P	0	PCS
D202	93L3020 19	ES3D 3A	P	1	PCS
	715L1253 D	MAIN BOARD	P	1	PCS
DP1	81L 12 1D GP	LED	P	1	PCS
	AIK780KC7	KEY BOARD	M	1	PCS
CN101	33L3802 7H	CONN W TO B7P 4320-W07R	P	1	PCS
SW1	77L 600 1GHJ	KEY SWITCH	P	1	PCS
SW2	77L 600 1GHJ	KEY SWITCH	P	1	PCS
SW3	77L 600 1GHJ	KEY SWITCH	P	1	PCS
SW4	77L 600 1GHJ	KEY SWITCH	P	1	PCS
	715L1242 C	KEYBOARD	P	1	PCS
R101	61L 60210252T	CFR 1K OHM+-5% 1/6W	P	1	PCS
R102	61L 60210252T	CFR 1K OHM+-5% 1/6W	P	1	PCS
ZD101	93L 3973B52T	HZ6B2	P	1	PCS
ZD102	93L 3973B52T	HZ6B2	P	1	PCS
ZD103	93L 3973B52T	HZ6B2	P	1	PCS
ZD104	93L 3973B52T	HZ6B2	P	1	PCS
	52L6025 11669	MYLAR	P	1	PCS
	PW1742QDH1SMT	POWER BOARD FOR SMT	M	1	PCS
	PWPC1742QDH1AI	POWER BOARD FOR AI	M	1	PCS
	13L 13 3	CANOE CLIP	P	2	PCS
CN102	33L800912A	HEADER 2*6P	P	1	PCS
CN201	33L8021 2D E	WAFER	P	0	PCS
CN202	33L8021 2D E	WAFER	P	0	PCS
CN203	33L8021 2D E	WAFER	P	0	PCS
CN204	33L8021 2D E	WAFER	P	0	PCS
CN201	33L8021 2D AC	CONN.2P R/A 87210-0236	P	1	PCS
CN202	33L8021 2D AC	CONN.2P R/A 87210-0236	P	1	PCS
CN203	33L8021 2D AC	CONN.2P R/A 87210-0236	P	1	PCS
CN204	33L8021 2D AC	CONN.2P R/A 87210-0236	P	1	PCS
CN901	33L8029 5A H	3 PIN CONNECTOR	P	1	PCS
	40L 45762420A	ID LABEL	P	1.03	PCS

	51L 6 4500	RTV 胶	P	0G
	51L 6 4502	RTV 胶	P	2G
	51L 6 4503	RTV 胶	P	0G
IC902	56L 139 3	PC123FY2 BY SHARP	P	0PCS
IC902	56L 139 3A	PC123Y22	P	1PCS
IC902	56L 139 3B	PC123 Y82	P	0PCS
Q209	57L 761 7	KTD1691 DIP BY KEC	P	1PCS
Q210	57L 761 7	KTD1691 DIP BY KEC	P	1PCS
Q211	57L 761 7	KTD1691 DIP BY KEC	P	1PCS
Q212	57L 761 7	KTD1691 DIP BY KEC	P	1PCS
NR901	61L 58050 WT	NTC 5 OHM 5A	P	1PCS
R903	61L152M10458F	100K OHM 5% 2W	P	1PCS
R917	61L152M398 64	0.39 OHM 2W	P	1PCS
C911	63L107K224 US	X2 0.22UF 275VAC MPX	P	1PCS
C903	63L107K334 U	MPX 0.33UF,275VAC,+/-10%	P	1PCS
C213	63L210J2242A2	PMS 0.22UF 250V	P	1PCS
C214	63L210J2242A2	PMS 0.22UF 250V	P	1PCS
C215	65L 3J3906EM	39PF 5% 3KV MURATA	P	0PCS
C216	65L 3J3906EM	39PF 5% 3KV MURATA	P	0PCS
C217	65L 3J3906EM	39PF 5% 3KV MURATA	P	0PCS
C218	65L 3J3906EM	39PF 5% 3KV MURATA	P	0PCS
C226	65L 3J3906EM	39PF 5% 3KV MURATA	P	0PCS
C227	65L 3J3906EM	39PF 5% 3KV MURATA	P	0PCS
C228	65L 3J3906EM	39PF 5% 3KV MURATA	P	0PCS
C229	65L 3J3906EM	39PF 5% 3KV MURATA	P	0PCS
C215	65L 3J3906ET	39PF 5% 3KV TDK	P	1PCS
C216	65L 3J3906ET	39PF 5% 3KV TDK	P	1PCS
C217	65L 3J3906ET	39PF 5% 3KV TDK	P	1PCS
C218	65L 3J3906ET	39PF 5% 3KV TDK	P	1PCS
C226	65L 3J3906ET	39PF 5% 3KV TDK	P	1PCS
C227	65L 3J3906ET	39PF 5% 3KV TDK	P	1PCS
C228	65L 3J3906ET	39PF 5% 3KV TDK	P	1PCS
C229	65L 3J3906ET	39PF 5% 3KV TDK	P	1PCS
C901	65L305M2222B2	2200PF 400VAC/250VAC	P	1PCS
C902	65L305M2222B2	2200PF 400VAC/250VAC	P	1PCS
C912	65L306M4722B2	4700PF +/-20% 400VAC Y1	P	1PCS
C922	67L 215102 3H	1000UF +/-20% 16V	P	1PCS
C923	67L 215102 3H	1000UF +/-20% 16V	P	1PCS
C922	67L 215102 3K	1000UF +/-20% 16V	P	0PCS
C923	67L 215102 3K	1000UF +/-20% 16V	P	0PCS

C904	67L305S10114H	100UF +-20% 400V	P	1	PCS
C904	67L305S10114K	E.C 105 度 CAP	P	0	PCS
FB901	71L 55 29	FERRITE BEAD	P	1	PCS
L901	73L 174 26 T1	LINE LILTER 0.45mm	P	1	PCS
L203	73L 174 35 LS	FILTER	P	1	PCS
L204	73L 174 35 LS	FILTER	P	1	PCS
L203	73L 174 35 YS	FILTER	P	0	PCS
L204	73L 174 35 YS	FILTER	P	0	PCS
L903	73L 253 91 L	CHOKE BY LI TA	P	0	PCS
L904	73L 253 91 L	CHOKE BY LI TA	P	0	PCS
L903	73L 253 91 LS	CHOKE BY LI SHIN	P	1	PCS
L904	73L 253 91 LS	CHOKE BY LI SHIN	P	1	PCS
L201	73L 253139 LL	CHOKE COIL	P	1	PCS
L202	73L 253139 LL	CHOKE COIL	P	1	PCS
L201	73L 253139LSL	CHOKE COIL	P	0	PCS
L202	73L 253139LSL	CHOKE COIL	P	0	PCS
L201	73L 253139YSL	CHOKE	P	0	PCS
L202	73L 253139YSL	CHOKE	P	0	PCS
PT201	80LL15T 7 DN	X'FMR	P	0	PCS
PT202	80LL15T 7 DN	X'FMR	P	0	PCS
PT201	80LL15T 7 YS	X'FMR	P	1	PCS
PT202	80LL15T 7 YS	X'FMR	P	1	PCS
T901	80LL17T 2 L	ADAPTOR BY LITAI	P	0	PCS
T901	80LL17T 2 T	X'FMR	P	1	PCS
T901	80LL17T 2 LS	ADAPTOR BY LISHIN	P	0	PCS
DB901	93L 50460 8	BRIDGE 2KBP06M2A600V	P	0	PCS
DB901	93L 50460502	KBP206G	P	1	PCS
D901	93L 6026T52T	RECTIFIER DIODE FR107	P	1	PCS
D902	93L 6038P52T	PS102R	P	1	PCS
IC401	56L 192 10	LM358D	P	1	PCS
IC901	56L 379 33	SG6841S	P	1	PCS
U201	56L 608 1	TL1451ACD	P	1	PCS
Q205	57L 417 4	PMBS3904/PHILIPS-SMT(04	P	1	PCS
Q206	57L 417 4	PMBS3904/PHILIPS-SMT(04	P	1	PCS
Q401	57L 417 4	PMBS3904/PHILIPS-SMT(04	P	1	PCS
Q207	57L 417 6	PMBS3906/PHILIPS-SMT(06	P	1	PCS
Q208	57L 417 6	PMBS3906/PHILIPS-SMT(06	P	1	PCS
Q402	57L 759 2	RK7002 SOT-23	P	1	PCS
Q202	57L 760 4	DTA144WKA BY ROHM SMT(7	P	1	PCS
Q201	57L 760 5	DTC144WKA BY ROHM SMT(8	P	1	PCS

Q203	57L 763 3	AO4411 SO-8 BY AOS SMT	P	1	PCS
Q204	57L 763 3	AO4411 SO-8 BY AOS SMT	P	1	PCS
R927	61L0805000	CHIP 0 OHM 1/8W	P	1	PCS
R912	61L0805101	CHIPR 100 OHM +-5% 1/8W	P	1	PCS
R401	61L0805102	CHIPR 1K OHM +-5% 1/8W	P	1	PCS
R925	61L0805102	CHIPR 1K OHM +-5% 1/8W	P	1	PCS
R926	61L0805102	CHIPR 1K OHM +-5% 1/8W	P	1	PCS
R928	61L0805102	CHIPR 1K OHM +-5% 1/8W	P	1	PCS
R204	61L0805103	CHIPR 10K OHM +-5% 1/8W	P	1	PCS
R913	61L0805103	CHIPR 10K OHM +-5% 1/8W	P	1	PCS
R916	61L0805103	CHIPR 10K OHM +-5% 1/8W	P	1	PCS
R409	61L0805104	CHIPR 100K OHM+-5% 1/8W	P	1	PCS
R222	61L0805123	CHIP 12KOHM 1/8W	P	1	PCS
R223	61L0805123	CHIP 12KOHM 1/8W	P	1	PCS
R238	61L0805123	CHIP 12KOHM 1/8W	P	1	PCS
R239	61L0805123	CHIP 12KOHM 1/8W	P	1	PCS
R220	61L0805153	CHIPR 15K OHM+-5% 1/8W	P	1	PCS
R221	61L0805153	CHIPR 15K OHM+-5% 1/8W	P	1	PCS
R216	61L0805220	CHIP 22 OHM 5% 0805 1/8	P	1	PCS
R217	61L0805220	CHIP 22 OHM 5% 0805 1/8	P	1	PCS
R218	61L0805220	CHIP 22 OHM 5% 0805 1/8	P	1	PCS
R219	61L0805220	CHIP 22 OHM 5% 0805 1/8	P	1	PCS
R915	61L0805220	CHIP 22 OHM 5% 0805 1/8	P	1	PCS
R214	61L0805222	CHIP 2.2KOHM 5% 0805 1/	P	1	PCS
R215	61L0805222	CHIP 2.2KOHM 5% 0805 1/	P	1	PCS
R414	61L0805223	CHIP 22KOHM 1/8W	P	1	PCS
R924	61L0805242	CHIP 2.4KOHM 1% 1/8W	P	1	PCS
R914	61L0805243	SMD 24KOHM/0805/+5% 1/	P	1	PCS
R410	61L0805244	240K 1/8W	P	1	PCS
R405	61L0805273	CHIP 27KOHM 5% 0805 1/8	P	1	PCS
R406	61L0805273	CHIP 27KOHM 5% 0805 1/8	P	1	PCS
R210	61L0805333	CHIP 33KOHM 1% 1/8W	P	1	PCS
R211	61L0805333	CHIP 33KOHM 1% 1/8W	P	1	PCS
R415	61L0805333	CHIP 33KOHM 1% 1/8W	P	1	PCS
R416	61L0805333	CHIP 33KOHM 1% 1/8W	P	1	PCS
R408	61L0805364	CHIP 360KOHM 5% 0805 1/	P	1	PCS
R212	61L0805392	CHIP 3.9K OHM 1/8W	P	1	PCS
R213	61L0805392	CHIP 3.9K OHM 1/8W	P	1	PCS
R208	61L0805472	CHIPR 4.7K OHM +-5% 1/8	P	1	PCS
R209	61L0805472	CHIPR 4.7K OHM +-5% 1/8	P	1	PCS

R909	61L0805472	CHIRP 4.7K OHM +-5% 1/8	P	1	PCS
R910	61L0805472	CHIRP 4.7K OHM +-5% 1/8	P	1	PCS
R911	61L0805472	CHIRP 4.7K OHM +-5% 1/8	P	1	PCS
R205	61L0805473	CHIPR 47K OHM +-5% 1/8W	P	1	PCS
R206	61L0805473	CHIPR 47K OHM +-5% 1/8W	P	1	PCS
R236	61L0805511	CHIPR 510 OHM 1/8W	P	1	PCS
R237	61L0805511	CHIPR 510 OHM 1/8W	P	1	PCS
R240	61L0805513	CHIP 51KOHM 1/8W	P	1	PCS
R241	61L0805513	CHIP 51KOHM 1/8W	P	1	PCS
R242	61L0805682	CHIP 6.8KOHM 5% 0805 1/	P	1	PCS
R232	61L0805911	CHIP 910 OHM 5% 0805 1/	P	1	PCS
R233	61L0805911	CHIP 910 OHM 5% 0805 1/	P	1	PCS
R234	61L0805911	CHIP 910 OHM 5% 0805 1/	P	1	PCS
R235	61L0805911	CHIP 910 OHM 5% 0805 1/	P	1	PCS
R908	61L1206100	CHIPR 10 OHM+-5% 1/4W	P	1	PCS
R929	61L1206101	CHIP 100 OHM 5% 1/4W	P	1	PCS
R904	61L1206105	CHIP 1MOHM 5% 1/4W	P	1	PCS
R905	61L1206105	CHIP 1MOHM 5% 1/4W	P	1	PCS
R906	61L1206105	CHIP 1MOHM 5% 1/4W	P	1	PCS
R907	61L1206105	CHIP 1MOHM 5% 1/4W	P	1	PCS
R224	61L1206152	CHIPR 1.5K OHM+-5%1/4W	P	1	PCS
R225	61L1206152	CHIPR 1.5K OHM+-5%1/4W	P	1	PCS
R226	61L1206152	CHIPR 1.5K OHM+-5%1/4W	P	1	PCS
R227	61L1206152	CHIPR 1.5K OHM+-5%1/4W	P	1	PCS
R228	61L1206152	CHIPR 1.5K OHM+-5%1/4W	P	1	PCS
R229	61L1206152	CHIPR 1.5K OHM+-5%1/4W	P	1	PCS
R230	61L1206152	CHIPR 1.5K OHM+-5%1/4W	P	1	PCS
R231	61L1206152	CHIPR 1.5K OHM+-5%1/4W	P	1	PCS
R900	61L1206394	CHIPR 390KOHM+-5% 1/4W	P	1	PCS
R901	61L1206394	CHIPR 390KOHM+-5% 1/4W	P	1	PCS
R902	61L1206394	CHIPR 390KOHM+-5% 1/4W	P	1	PCS
R402	61L1206471	CHIPR 470 OHM+-5% 1/4W	P	1	PCS
C910	65L0805102 32	CHIP 1000P 50VX7R 0805	P	1	PCS
C205	65L0805104 32	CHIP 0.1UF 50V X7R	P	1	PCS
C206	65L0805104 32	CHIP 0.1UF 50V X7R	P	1	PCS
C219	65L0805104 32	CHIP 0.1UF 50V X7R	P	1	PCS
C220	65L0805104 32	CHIP 0.1UF 50V X7R	P	1	PCS
C404	65L0805104 32	CHIP 0.1UF 50V X7R	P	1	PCS
C907	65L0805104 32	CHIP 0.1UF 50V X7R	P	1	PCS
C908	65L0805104 32	CHIP 0.1UF 50V X7R	P	1	PCS

C909	65L0805104 32	CHIP 0.1UF 50V X7R	P	1	PCS
C926	65L0805104 32	CHIP 0.1UF 50V X7R	P	1	PCS
C927	65L0805104 32	CHIP 0.1UF 50V X7R	P	1	PCS
C929	65L0805104 32	CHIP 0.1UF 50V X7R	P	1	PCS
C204	65L0805105 22	CHIP 1UF 25V X7R 0805	P	1	PCS
C209	65L0805105 22	CHIP 1UF 25V X7R 0805	P	1	PCS
C210	65L0805105 22	CHIP 1UF 25V X7R 0805	P	1	PCS
C401	65L0805105 22	CHIP 1UF 25V X7R 0805	P	1	PCS
C221.	65L0805153 22	CHIP 0.015UF 25V X7R	P	1	PCS
C222	65L0805153 22	CHIP 0.015UF 25V X7R	P	1	PCS
C208	65L0805331 31	CHIP 330pF 50V NPO	P	1	PCS
C402	65L0805472 32	4700PF/50V/0805/X7R	P	1	PCS
D205	93L 6432V	LL4148-GS08	P	1	PCS
D206	93L 6432V	LL4148-GS08	P	1	PCS
D207	93L 6432V	LL4148-GS08	P	1	PCS
D208	93L 6432V	LL4148-GS08	P	1	PCS
D209	93L 6432V	LL4148-GS08	P	1	PCS
D210	93L 6432V	LL4148-GS08	P	1	PCS
D401	93L 6432V	LL4148-GS08	P	1	PCS
D402	93L 6432V	LL4148-GS08	P	1	PCS
D903	93L 6432V	LL4148-GS08	P	1	PCS
ZD203	93L 39S 3 T	BZT52-C11	P	1	PCS
ZD204	93L 39S 3 T	BZT52-C11	P	1	PCS
ZD203	93L 39S 8 T	ZD RLZ11B ROHM	P	0	PCS
ZD204	93L 39S 8 T	ZD RLZ11B ROHM	P	0	PCS
ZD904	93L 39S 19 T	PTZ7.5B	P	1	PCS
ZD901	93L 39S 20 T	RLZ22B BY ROHM	P	1	PCS
ZD901	93L 39S 23 T	PLZ22B	P	0	PCS
ZD401	93L 39S 24 T	RLZTE-115.6B ROHM	P	1	PCS
D201	93L2004 2	SR24/PANJIT-SMT	P	1	PCS
D202	93L2004 2	SR24/PANJIT-SMT	P	1	PCS
D201	93L2004 3	SSM24	P	0	PCS
D202	93L2004 3	SSM24	P	0	PCS
L901	6L 31502	1.5MM RIVET	P	4	PCS
PT201	6L 31502	1.5MM RIVET	P	2	PCS
PT202	6L 31502	1.5MM RIVET	P	2	PCS
T901	6L 31502	1.5MM RIVET	P	4	PCS
J902	95L 90 23	TIN COATED	P	0	PCS
J903	95L 90 23	TIN COATED	P	0	PCS
J904	95L 90 23	TIN COATED	P	0	PCS



J905	95L 90 23	TIN COATED	P	0	PCS
J906	95L 90 23	TIN COATED	P	0	PCS
J907	95L 90 23	TIN COATED	P	0	PCS
J908	95L 90 23	TIN COATED	P	0	PCS
J909	95L 90 23	TIN COATED	P	0	PCS
J910	95L 90 23	TIN COATED	P	0	PCS
J911	95L 90 23	TIN COATED	P	0	PCS
J912	95L 90 23	TIN COATED	P	0	PCS
J913	95L 90 23	TIN COATED	P	0	PCS
J914	95L 90 23	TIN COATED	P	0	PCS
J915	95L 90 23	TIN COATED	P	0	PCS
J919	95L 90 23	TIN COATED	P	0	PCS
J920	95L 90 23	TIN COATED	P	0	PCS
J921	95L 90 23	TIN COATED	P	0	PCS
J922	95L 90 23	TIN COATED	P	0	PCS
J923	95L 90 23	TIN COATED	P	0	PCS
J924	95L 90 23	TIN COATED	P	0	PCS
J925	95L 90 23	TIN COATED	P	0	PCS
J926	95L 90 23	TIN COATED	P	0	PCS
J927	95L 90 23	TIN COATED	P	0	PCS
J928	95L 90 23	TIN COATED	P	0	PCS
J929	95L 90 23	TIN COATED	P	0	PCS
J930	95L 90 23	TIN COATED	P	0	PCS
J931	95L 90 23	TIN COATED	P	0	PCS
J932	95L 90 23	TIN COATED	P	0	PCS
J933	95L 90 23	TIN COATED	P	0	PCS
J934	95L 90 23	TIN COATED	P	0	PCS
J935	95L 90 23	TIN COATED	P	0	PCS
J936	95L 90 23	TIN COATED	P	0	PCS
J937	95L 90 23	TIN COATED	P	0	PCS
R411	61L 21030452T	MFR 300K OHM +-1% 1/6W	P	1	PCS
R922	61L 21033352T	33K 1/6W 1%	P	1	PCS
R923	61L 21036252T	3.6K 1/6W 1%	P	1	PCS
R404	61L 60256352T	56KOHM 5% 1/6W	P	1	PCS
R407	61L 60291452T	910KOHM 5% 1/6W	P	1	PCS
R920	61L175L47052T	47OHM +-5% 1/2W	P	1	PCS
R921	61L175L47052T	47OHM +-5% 1/2W	P	1	PCS
F901	84L 56 1	FUSE 2A 250V WICKMANN	P	1	PCS
ZD902	93L 39 5452T	ZENER HZ12B2	P	1	PCS
ZD903	93L 39 7752T	ZENER HZ5C1	P	1	PCS

IC903	56L 158 4 T	A HTL431	P	1	PCS
Q902	57L 419 PP T	2PC945P	P	1	PCS
Q901	57L 420 PP T	2PA733P	P	1	PCS
C905	65L 2K152 1T6052	1.5NF/2KV Y5P +-10%	P	0	PCS
C905	65L 2K152 1T6285	1.5NF/2KV Y5P +-10%	P	0	PCS
C905	65L 2K152 1T6921	1.5NF/2KV Y5P +-10%	P	1	PCS
C920	65L517K102 5T	1000PF 10% Y5P 500V	P	1	PCS
C921	65L517K102 5T	1000PF 10% Y5P 500V	P	1	PCS
C906	67L 309220 7T	22UF +-20% 50V	P	1	PCS
C207	67L 309479 7T	4.7UF +-20% 50V 85 摄氏度		1	PCS
C924	67L215B4713HT	470UF 16V LTR471M1CF11V	P	1	PCS
C925	67L215B4713HT	470UF 16V LTR471M1CF11V	P	1	PCS
C201	67L215C1514HT	LOW ESR 150UF 25V 8*7MM	P	1	PCS
C223	67L215C1514HT	LOW ESR 150UF 25V 8*7MM	P	1	PCS
	51L 200 1	散热油	P	2	G
Q903	57L 724 4	2SK2996	P	0	PCS
Q903	57L 724 4A	STP9NK60ZFP	P	1	PCS
	90L6064 1	HEAT SINK	P	1	PCS
	M1L1730 8128	SCREW M3x8	P	1	PCS
	51L 200 1	散热油	P	2	G
	90L6064 1	HEAT SINK	P	1	PCS
D911	93L 60235	FCQ10A06(F10P06Q)	P	1	PCS
D911	93L 60236	FMB-26L	P	0	PCS
D910	93L 60238	FCH10A15 T0-220	P	0	PCS
D910	93L 60239	FME-210B T0-220	P	0	PCS
D910	93L 60245	SP10150	P	1	PCS
	M1L1730 8128	SCREW M3x8	P	2	PCS
	12L 394 4	RUBBER FOOT	P	6	PCS
	12L6031 1	RUBBER WASHER	P	2	PCS
	12L6031 2	RUBBER WASHER	P	2	PCS
	15L8007 1	BASE BRACKET	P	1	PCS
	33L4617 1	POWER LENS	P	1	PCS
	33L4725 CN L	BUTTON FUNC	P	1	PCS
	34L1309ACN L	BEZEL	P	1	PCS
	34L1314 CM L	BASE	P	1	PCS
	37L6014 GA N	HINGE	P	1	PCS
	Q1L 130 6120	SCREW (T3X6)	P	8	PCS
	15L8009 1	AC SUPPORT BRACKET	P	1	PCS
	52L6025 11665	绝缘片	P	1	PCS
	87L 501 13 CJ	AC SOCKET ASS'Y	X	0	PCS

87L 501 13 RF	AC SOCKET	P	1	PCS
95L205S354022	HARNESS	P	1	PCS
95L8021 2506	HARNESS	P	1	PCS
96L 29 6	SHRINK TUBE UL/CSA	P	1	PCS

## 12.2 F7317 Model T780KAXHKHHPA

插件位置	元件料号编号	品名规格	来源	组成 用量	单位
	CBPC780KAXHPA	CONVERSION BOARD	M	1	PCS
	KEPC780KC8	KEY BOARD	M	1	PCS
	PWPC1742AUH2	POWER BOARD	M	1	PCS
	15L5689 1 A	GND LUG (AL)	P	1	PCS
	15L8006 5	MAIN FRAME	P	1	PCS
	34L1316 A6 L	REAR COVER	P	1	PCS
	40L 190690 1	ID LABEL	P	1	PCS
	40L 581 26704	唛头纸 FOR CARTON/PALLET	P	0.01	PCS
	44L3231 15	EVA WASHER	P	1	PCS
	44L3731 1	EPS	P	1	PCS
	44L3731 2	EPS	P	1	PCS
	44L3731624 1A	CARTON	P	1	PCS
	45L 77 3	打包膜	P	398	CM
	45L 77500	BARCODE RIBBON	P	19	CM
	45L 88609 2	EPE COVER	P	1	PCS
	45L 88626 H	PE BAG FOR MONITOR	P	1	PCS
	52L 1186	SMALL TAPE	P	8	CM
	52L 1207 A	ALUMINIUM TAPE	P	1	PCS
	52L 1211 A	ALUMINIUM TAPE	P	2	PCS
	52L6020 1	PROTECT FILM	P	1	PCS
	52L6022 3	SMALL TAPE	P	15	CM
	52L6025 11657	INSULATE SHEET	P	1	PCS
	52L6025 11658	INSULATE SHEET	P	1	PCS
	85L 667 1	SHIELD	P	1	PCS
	89L404A18N IS	POWER CORD 插墙	P	1	PCS
	95L8014 12 11	HARNESS	P	1	PCS
	95L8014 18 1	KEY BOARD HARNESS	P	1	PCS
	95L8018 30 34	WIRELARNESS/LVDS	P	1	PCS
	M1L 330 4128	SCREW M3X4	P	2	PCS
	M1L 330 6128	SCREW	P	5	PCS
	M1L1140 6128	SCREW 4X6	P	1	PCS

	M1L1430 6128	SCREW M3X6	P	12	PCS
	M1L1730 6128	SCREW M3x6	P	11	PCS
	M1L2130 4120	SCREW	P	1	PCS
	Q1L 330 8120	SCREW 3X8mm	P	3	PCS
	Q1L 340 10 47	SCREW 4X10mm	P	7	PCS
	Q1L1030 8128	SCREW	P	3	PCS
	705L780KP34HP1	支架组件	X	1	PCS
	705L780KP87 HP	AC INPUT ASS'Y	X	1	PCS
	750LLU70N05	AU 17" LCD PANEL	P	1	PCS
	AM1L1740 12 47	SCREW	P	2	PCS
	AUPC780HPSMT	AUDIO BOARD	M	1	PCS
CN702	33L3802 3H	WAFER 3P RIGHT ANGLE	P	1	PCS
CN701	33L802414C H	2*7PIN DUAL ROW RIGHT A	P	1	PCS
	51L 200 1	散热油	P	2	G
U701	56L 616 10	TDA1517 SOT110-1	P	1	PCS
C704	67L 215102 3H	1000UF +-20% 16V	P	1	PCS
C713	67L 215102 3H	1000UF +-20% 16V	P	1	PCS
C714	67L 215102 3H	1000UF +-20% 16V	P	1	PCS
C709	67L 309101 3	100UF +-20% 16V	P	1	PCS
C718	67L 309101 3	100UF +-20% 16V	P	1	PCS
C701	67L 309479 3	4.7UF +-20% 16V	P	1	PCS
C702	67L 309479 3	4.7UF +-20% 16V	P	1	PCS
L701	73L 253139 LS	CHOKE	P	1	PCS
U701	90L 419 1	HEAT SINK	P	1	PCS
U701	90L 420 1	HEAT SINK	P	1	PCS
	M1L1730 8128	SCREW M3x8	P	1	PCS
Q701	57L 417 4	PMBS3904/PHILIPS-SMT(04	P	1	PCS
R708	61L0603101	CHIPR 100 OHM +-5% 1/10	P	1	PCS
R712	61L0603102	CHIPR 1K OHM +-5% 1/10W	P	1	PCS
R716	61L0603102	CHIPR 1K OHM +-5% 1/10W	P	1	PCS
R709	61L0603103	CHIPR 10K OHM +-5% 1/10	P	1	PCS
R706	61L0603104	CHIPR 100K OHM +-5% 1/1	P	1	PCS
R717	61L0603152	CHIPR 1.5KOHM+-5% 1/10W	P	1	PCS
R718	61L0603152	CHIPR 1.5KOHM+-5% 1/10W	P	1	PCS
R719	61L0603182	CHIPR 1.8KOHM	P	1	PCS
R705	61L0603204	CHIPR 200KOHM +-5% 1/10	P	1	PCS
R701	61L0603222	CHIPR 2.2K OHM+-5% 1/10	P	1	PCS
R702	61L0603222	CHIPR 2.2K OHM+-5% 1/10	P	1	PCS
R713	61L0603223	CHIPR 22K OHM +-5% 1/10	P	1	PCS
FB701	61L0603332	CHIP 3.3K OHM 1/10W	P	1	PCS

FB702	61L0603332	CHIP 3.3K OHM 1/10W	P	1	PCS
R707	61L0603472	CHIPR 4.7K OHM +-5% 1/1	P	1	PCS
R703	61L0603473	CHIP 47K OHM 1/10W	P	1	PCS
R704	61L0603473	CHIP 47K OHM 1/10W	P	1	PCS
R715	61L0603473	CHIP 47K OHM 1/10W	P	1	PCS
C706	65L0603104 12	0.1UF +-10% 16V X7R	P	1	PCS
C710	65L0603104 12	0.1UF +-10% 16V X7R	P	1	PCS
C711	65L0603104 12	0.1UF +-10% 16V X7R	P	1	PCS
C712	65L0603104 12	0.1UF +-10% 16V X7R	P	1	PCS
C715	65L0603104 12	0.1UF +-10% 16V X7R	P	1	PCS
C151	65L0603104 32	CHIP 0.1UF 50V X7R	P	1	PCS
C716	65L0603121 31	CHIP 120PF 50V NPO	P	1	PCS
C717	65L0603121 31	CHIP 120PF 50V NPO	P	1	PCS
C703	65L0603560 31	CHIP 56PF 50V NPO	P	1	PCS
C705	65L0603560 31	CHIP 56PF 50V NPO	P	1	PCS
C707	65L0603562 32	CHIP 5600PF 50V X7R	P	1	PCS
C708	65L0603562 32	CHIP 5600PF 50V X7R	P	1	PCS
L703	71L 59B121	TB160808B12 SMD	P	1	PCS
L704	71L 59B121	TB160808B12 SMD	P	1	PCS
D701	93L 6432V	LL4148-GS08	P	1	PCS
D702	93L 6432V	LL4148-GS08	P	1	PCS
	715L1249 E 2	PCB	P	1	PCS
	AIC780KAXHPA	MAIN BOARD	M	1	PCS
CN601	33L801714A H	PIN HEADER 2*7 R/A	P	1	PCS
CN503	33L801724E H	PIN	P	1	PCS
CN201	33L8027 12	WAFER 2*6P 2.0MM R/A	P	1	PCS
CN303	33L8027 14 H	WAFER 14P 2.0MM DIP DUA	P	1	PCS
CN602	33L8027 16	WAFER 16PIN 2.0mm DIP	P	1	PCS
	40L 457624 1B	CPU LABEL	P	1	PCS
	40L 45762412A	CBPC LABEL	P	1	PCS
U601	56L1125543	MTV512MV	P	1	PCS
C211	67L215B1014HV	EC 100UF 25V LTR101M1EE	P	1	PCS
C215	67L215B1014HV	EC 100UF 25V LTR101M1EE	P	1	PCS
C202	67L215B2214HV	LOW ESR 220UF 25V 8*11	P	1	PCS
C204	67L215B2214HV	LOW ESR 220UF 25V 8*11	P	1	PCS
C208	67L309V100 4	10UF +-20% 25V	P	1	PCS
C402	67L309V100 4	10UF +-20% 25V	P	1	PCS
C411	67L309V100 4	10UF +-20% 25V	P	1	PCS
C416	67L309V100 4	10UF +-20% 25V	P	1	PCS
C419	67L309V100 4	10UF +-20% 25V	P	1	PCS

C422	67L309V100	4	10UF +-20% 25V	P	1	PCS
C428	67L309V100	4	10UF +-20% 25V	P	1	PCS
C206	67L309V109	7	1UF +-20% 50V	P	1	PCS
X601	93L 22 51		CRYSTAL 12MHz HC-49US A	P	1	PCS
X401	93L 22 53		CRYSTAL 14.318MHzHC-49U	P	1	PCS
U401	56L 562 53		MST9111B PQFP-128	P	1	PCS
U202	56L 563 7		AIC1084-33CM	P	1	PCS
U201	56L 585 7		RT9164-25CL	P	1	PCS
U203	56L 643 5A		MAX810STR SOT-23	P	1	PCS
U301	56L1133 20		AT24C02N-10SC BY ATMEL	P	1	PCS
U602	56L1133 24		AT24C16N-10SC-2.7	P	1	PCS
U301	56L1133 34		M24C02-WMN6T SMT	P	0	PCS
U602	56L1133 56		M24C16-WMN6T/W	P	0	PCS
Q201	57L 417 4		PMBS3904/PHILIPS-SMT(04	P	1	PCS
Q202	57L 417 4		PMBS3904/PHILIPS-SMT(04	P	1	PCS
Q204	57L 417 4		PMBS3904/PHILIPS-SMT(04	P	1	PCS
Q601	57L 417 6		PMBS3906/PHILIPS-SMT(06	P	1	PCS
Q602	57L 417 6		PMBS3906/PHILIPS-SMT(06	P	1	PCS
Q203	57L 763 1		A03401 SOT23 BY AOS(A1)	P	1	PCS
RN601	61L 125103	8	CHIP AR 8P4R 10KOHM +-5	P	1	PCS
RN602	61L 125103	8	CHIP AR 8P4R 10KOHM +-5	P	1	PCS
RN603	61L 125103	8	CHIP AR 8P4R 10KOHM +-5	P	1	PCS
RN604	61L 125103	8	CHIP AR 8P4R 10KOHM +-5	P	1	PCS
R201	61L0603000		CHIPR 0OHM +-5% 1/10W	P	1	PCS
R209	61L0603000		CHIPR 0OHM +-5% 1/10W	P	1	PCS
R351	61L0603000		CHIPR 0OHM +-5% 1/10W	P	1	PCS
R355	61L0603000		CHIPR 0OHM +-5% 1/10W	P	1	PCS
R357	61L0603000		CHIPR 0OHM +-5% 1/10W	P	1	PCS
R358	61L0603000		CHIPR 0OHM +-5% 1/10W	P	1	PCS
R359	61L0603000		CHIPR 0OHM +-5% 1/10W	P	1	PCS
R502	61L0603000		CHIPR 0OHM +-5% 1/10W	P	1	PCS
R638	61L0603000		CHIPR 0OHM +-5% 1/10W	P	1	PCS
R308	61L0603101		CHIPR 100 OHM +-5% 1/10	P	1	PCS
R309	61L0603101		CHIPR 100 OHM +-5% 1/10	P	1	PCS
R310	61L0603101		CHIPR 100 OHM +-5% 1/10	P	1	PCS
R312	61L0603101		CHIPR 100 OHM +-5% 1/10	P	1	PCS
R314	61L0603101		CHIPR 100 OHM +-5% 1/10	P	1	PCS
R608	61L0603101		CHIPR 100 OHM +-5% 1/10	P	1	PCS
R609	61L0603101		CHIPR 100 OHM +-5% 1/10	P	1	PCS
R636	61L0603101		CHIPR 100 OHM +-5% 1/10	P	1	PCS

R203	61L0603102	CHIPR 1K OHM +-5% 1/10W	P	1	PCS
R204	61L0603102	CHIPR 1K OHM +-5% 1/10W	P	1	PCS
R315	61L0603102	CHIPR 1K OHM +-5% 1/10W	P	1	PCS
R202	61L0603103	CHIPR 10K OHM +-5% 1/10	P	1	PCS
R206	61L0603103	CHIPR 10K OHM +-5% 1/10	P	1	PCS
R208	61L0603103	CHIPR 10K OHM +-5% 1/10	P	1	PCS
R211	61L0603103	CHIPR 10K OHM +-5% 1/10	P	1	PCS
R213	61L0603103	CHIPR 10K OHM +-5% 1/10	P	1	PCS
R311	61L0603103	CHIPR 10K OHM +-5% 1/10	P	1	PCS
R317	61L0603103	CHIPR 10K OHM +-5% 1/10	P	1	PCS
R601	61L0603103	CHIPR 10K OHM +-5% 1/10	P	1	PCS
R602	61L0603103	CHIPR 10K OHM +-5% 1/10	P	1	PCS
R604	61L0603103	CHIPR 10K OHM +-5% 1/10	P	1	PCS
R605	61L0603103	CHIPR 10K OHM +-5% 1/10	P	1	PCS
R606	61L0603103	CHIPR 10K OHM +-5% 1/10	P	1	PCS
R607	61L0603103	CHIPR 10K OHM +-5% 1/10	P	1	PCS
R613	61L0603103	CHIPR 10K OHM +-5% 1/10	P	1	PCS
R614	61L0603103	CHIPR 10K OHM +-5% 1/10	P	1	PCS
R627	61L0603103	CHIPR 10K OHM +-5% 1/10	P	1	PCS
R631	61L0603103	CHIPR 10K OHM +-5% 1/10	P	1	PCS
R642	61L0603103	CHIPR 10K OHM +-5% 1/10	P	1	PCS
R643	61L0603103	CHIPR 10K OHM +-5% 1/10	P	1	PCS
R639	61L0603104	CHIPR 100K OHM +-5% 1/1	P	1	PCS
FB304	61L0603151	CHIPR 150 OHM +-5% 1/10	P	1	PCS
R313	61L0603151	CHIPR 150 OHM +-5% 1/10	P	1	PCS
R501	61L0603202	CHIPR 2K OHM+-5% 1/10W	P	1	PCS
R610	61L0603221	CHIPR 220 OHM+-5% 1/10W	P	1	PCS
R611	61L0603221	CHIPR 220 OHM+-5% 1/10W	P	1	PCS
R316	61L0603222	CHIPR 2.2K OHM+-5% 1/10	P	1	PCS
R401	61L0603390 0F	CHIP 390 OHM 1/10W 1%	P	1	PCS
R320	61L0603470	CHIPR 47 OHM +-5% 1/10W	P	1	PCS
R321	61L0603470	CHIPR 47 OHM +-5% 1/10W	P	1	PCS
R305	61L0603471	CHIPR 470 OHM+-5% 1/10W	P	1	PCS
R617	61L0603471	CHIPR 470 OHM+-5% 1/10W	P	1	PCS
R618	61L0603471	CHIPR 470 OHM+-5% 1/10W	P	1	PCS
R205	61L0603472	CHIPR 4.7K OHM +-5% 1/1	P	1	PCS
R207	61L0603472	CHIPR 4.7K OHM +-5% 1/1	P	1	PCS
R212	61L0603472	CHIPR 4.7K OHM +-5% 1/1	P	1	PCS
R318	61L0603472	CHIPR 4.7K OHM +-5% 1/1	P	1	PCS
R319	61L0603472	CHIPR 4.7K OHM +-5% 1/1	P	1	PCS

R402	61L0603472	CHIPR 4.7K OHM +-5% 1/1	P	1	PCS
R403	61L0603472	CHIPR 4.7K OHM +-5% 1/1	P	1	PCS
R616	61L0603472	CHIPR 4.7K OHM +-5% 1/1	P	1	PCS
R619	61L0603472	CHIPR 4.7K OHM +-5% 1/1	P	1	PCS
R301	61L0603750	CHIPR 75 OHM+-5% 1/10W	P	1	PCS
R302	61L0603750	CHIPR 75 OHM+-5% 1/10W	P	1	PCS
R303	61L0603750	CHIPR 75 OHM+-5% 1/10W	P	1	PCS
R304	61L0603750	CHIPR 75 OHM+-5% 1/10W	P	1	PCS
R306	61L0603750	CHIPR 75 OHM+-5% 1/10W	P	1	PCS
R307	61L0603750	CHIPR 75 OHM+-5% 1/10W	P	1	PCS
C305	65L0603102 32	1000PF +-10% 50V X7R	P	1	PCS
C201	65L0603104 32	CHIP 0.1UF 50V X7R	P	1	PCS
C203	65L0603104 32	CHIP 0.1UF 50V X7R	P	1	PCS
C205	65L0603104 32	CHIP 0.1UF 50V X7R	P	1	PCS
C207	65L0603104 32	CHIP 0.1UF 50V X7R	P	1	PCS
C210	65L0603104 32	CHIP 0.1UF 50V X7R	P	1	PCS
C212	65L0603104 32	CHIP 0.1UF 50V X7R	P	1	PCS
C214	65L0603104 32	CHIP 0.1UF 50V X7R	P	1	PCS
C216	65L0603104 32	CHIP 0.1UF 50V X7R	P	1	PCS
C217	65L0603104 32	CHIP 0.1UF 50V X7R	P	1	PCS
C313	65L0603104 32	CHIP 0.1UF 50V X7R	P	1	PCS
C401	65L0603104 32	CHIP 0.1UF 50V X7R	P	1	PCS
C403	65L0603104 32	CHIP 0.1UF 50V X7R	P	1	PCS
C404	65L0603104 32	CHIP 0.1UF 50V X7R	P	1	PCS
C405	65L0603104 32	CHIP 0.1UF 50V X7R	P	1	PCS
C406	65L0603104 32	CHIP 0.1UF 50V X7R	P	1	PCS
C407	65L0603104 32	CHIP 0.1UF 50V X7R	P	1	PCS
C409	65L0603104 32	CHIP 0.1UF 50V X7R	P	1	PCS
C410	65L0603104 32	CHIP 0.1UF 50V X7R	P	1	PCS
C412	65L0603104 32	CHIP 0.1UF 50V X7R	P	1	PCS
C413	65L0603104 32	CHIP 0.1UF 50V X7R	P	1	PCS
C414	65L0603104 32	CHIP 0.1UF 50V X7R	P	1	PCS
C415	65L0603104 32	CHIP 0.1UF 50V X7R	P	1	PCS
C417	65L0603104 32	CHIP 0.1UF 50V X7R	P	1	PCS
C418	65L0603104 32	CHIP 0.1UF 50V X7R	P	1	PCS
C420	65L0603104 32	CHIP 0.1UF 50V X7R	P	1	PCS
C421	65L0603104 32	CHIP 0.1UF 50V X7R	P	1	PCS
C423	65L0603104 32	CHIP 0.1UF 50V X7R	P	1	PCS
C424	65L0603104 32	CHIP 0.1UF 50V X7R	P	1	PCS
C425	65L0603104 32	CHIP 0.1UF 50V X7R	P	1	PCS



C429	65L0603104 32	CHIP 0.1UF 50V X7R	P	1	PCS
C510	65L0603104 32	CHIP 0.1UF 50V X7R	P	1	PCS
C511	65L0603104 32	CHIP 0.1UF 50V X7R	P	1	PCS
C601	65L0603104 32	CHIP 0.1UF 50V X7R	P	1	PCS
C605	65L0603104 32	CHIP 0.1UF 50V X7R	P	1	PCS
C606	65L0603104 32	CHIP 0.1UF 50V X7R	P	1	PCS
C607	65L0603104 32	CHIP 0.1UF 50V X7R	P	1	PCS
C608	65L0603104 32	CHIP 0.1UF 50V X7R	P	1	PCS
C609	65L0603104 32	CHIP 0.1UF 50V X7R	P	1	PCS
C610	65L0603104 32	CHIP 0.1UF 50V X7R	P	1	PCS
C613	65L0603104 32	CHIP 0.1UF 50V X7R	P	1	PCS
C614	65L0603104 32	CHIP 0.1UF 50V X7R	P	1	PCS
C426	65L0603220 31	CHIP 22PF 50V NPO	P	1	PCS
C427	65L0603220 31	CHIP 22PF 50V NPO	P	1	PCS
C602	65L0603220 31	CHIP 22PF 50V NPO	P	1	PCS
C604	65L0603220 31	CHIP 22PF 50V NPO	P	1	PCS
C312	65L0603221 31	CAP:CER 220PF 5% 50V SM	P	1	PCS
C311	65L0603470 31	CHIP 47PF 50V NPO	P	1	PCS
C302	65L0603473 32	CHIP 0.047UF 50V X7R	P	1	PCS
C303	65L0603473 32	CHIP 0.047UF 50V X7R	P	1	PCS
C304	65L0603473 32	CHIP 0.047UF 50V X7R	P	1	PCS
C308	65L0603473 32	CHIP 0.047UF 50V X7R	P	1	PCS
C309	65L0603473 32	CHIP 0.047UF 50V X7R	P	1	PCS
C310	65L0603473 32	CHIP 0.047UF 50V X7R	P	1	PCS
FB202	71L 56Z601	CHIP BEAD 600 OHM 0805	P	1	PCS
FB401	71L 56Z601	CHIP BEAD 600 OHM 0805	P	1	PCS
FB402	71L 56Z601	CHIP BEAD 600 OHM 0805	P	1	PCS
FB403	71L 56Z601	CHIP BEAD 600 OHM 0805	P	1	PCS
FB404	71L 56Z601	CHIP BEAD 600 OHM 0805	P	1	PCS
FB405	71L 56Z601	CHIP BEAD 600 OHM 0805	P	1	PCS
FB406	71L 56Z601	CHIP BEAD 600 OHM 0805	P	1	PCS
FB601	71L 56Z601	CHIP BEAD 600 OHM 0805	P	1	PCS
FB602	71L 56Z601	CHIP BEAD 600 OHM 0805	P	1	PCS
R621	71L 59B601 EA	CHIP BEAD 600 OHM	P	1	PCS
R622	71L 59B601 EA	CHIP BEAD 600 OHM	P	1	PCS
R623	71L 59B601 EA	CHIP BEAD 600 OHM	P	1	PCS
R624	71L 59B601 EA	CHIP BEAD 600 OHM	P	1	PCS
R630	71L 59B601 EA	CHIP BEAD 600 OHM	P	1	PCS
FB301	71L 59C300	30 OHM BEAD	P	1	PCS
FB302	71L 59C300	30 OHM BEAD	P	1	PCS

FB303	71L 59C300	30 OHM BEAD	P	1	PCS
U601	87L 202 44	PLCC SMT CONN PD41C-441	P	1	PCS
D305	93L 39147	TZMC5V6-GS08	P	1	PCS
D306	93L 39147	TZMC5V6-GS08	P	1	PCS
D307	93L 39147	TZMC5V6-GS08	P	1	PCS
D308	93L 39147	TZMC5V6-GS08	P	1	PCS
D309	93L 39147	TZMC5V6-GS08	P	1	PCS
D327	93L 39147	TZMC5V6-GS08	P	1	PCS
D328	93L 39147	TZMC5V6-GS08	P	1	PCS
D329	93L 39147	TZMC5V6-GS08	P	1	PCS
D305	93L 39149	MLL5232B BY FULL POWER	P	0	PCS
D306	93L 39149	MLL5232B BY FULL POWER	P	0	PCS
D307	93L 39149	MLL5232B BY FULL POWER	P	0	PCS
D308	93L 39149	MLL5232B BY FULL POWER	P	0	PCS
D309	93L 39149	MLL5232B BY FULL POWER	P	0	PCS
D327	93L 39149	MLL5232B BY FULL POWER	P	0	PCS
D328	93L 39149	MLL5232B BY FULL POWER	P	0	PCS
D329	93L 39149	MLL5232B BY FULL POWER	P	0	PCS
D304	93L 64 42 P	BAV70 SOT-23	P	1	PCS
D203	93L 6433P	BAV99	P	1	PCS
D301	93L 6433P	BAV99	P	1	PCS
D302	93L 6433P	BAV99	P	1	PCS
D303	93L 6433P	BAV99	P	1	PCS
D205	93L 39S 30 T	MLL5228B	P	1	PCS
D206	93L 39S 30 T	MLL5228B	P	1	PCS
D204	93L 39S 31 T	7.5V ZENER/MLL5236B	P	1	PCS
D201	93L3004 1	SMAL340XXXRO 3A 40V SMA	P	1	PCS
D201	93L3004 2	SR34 PAN JIT	P	0	PCS
D202	93L3020 19	ES3D 3A	P	1	PCS
	715L1253 D	MAIN BOARD	P	1	PCS
	AIK780KC8SMT	KEY BOARD	M	1	PCS
CN3	33L3802 2H	WAFER 2P RIGHT ANGLE	P	1	PCS
CN4	33L3802 2H	WAFER 2P RIGHT ANGLE	P	1	PCS
CN401	33L8027 18	PIN HEADER 18P	P	1	PCS
VR1	75L 35850322A	VR50K BLACK	P	1	PCS
SW1	77L 600 1GCJ	TACT SWITCH TSPB-2	P	0	PCS
SW2	77L 600 1GCJ	TACT SWITCH TSPB-2	P	0	PCS
SW3	77L 600 1GCJ	TACT SWITCH TSPB-2	P	0	PCS
SW4	77L 600 1GCJ	TACT SWITCH TSPB-2	P	0	PCS
SW1	77L 600 1GHJ	KEY SWITCH	P	1	PCS

SW2	77L 600 1GHJ	KEY SWITCH	P	1	PCS
SW3	77L 600 1GHJ	KEY SWITCH	P	1	PCS
SW4	77L 600 1GHJ	KEY SWITCH	P	1	PCS
DP1	81L 12 1 GP	LED	P	1	PCS
CN5	88L 30211K	PHONE JACK	P	1	PCS
	AIK780KC8	KEY BOARD FOR HP	M	1	PCS
C101	65L0603121 31	CHIP 120PF 50V NPO	P	1	PCS
C102	65L0603121 31	CHIP 120PF 50V NPO	P	1	PCS
C103	65L0603121 31	CHIP 120PF 50V NPO	P	1	PCS
C104	65L0603121 31	CHIP 120PF 50V NPO	P	1	PCS
C106	65L0603121 31	CHIP 120PF 50V NPO	P	1	PCS
C107	65L0603121 31	CHIP 120PF 50V NPO	P	1	PCS
FB101	71L 59B121	TB160808B12 SMD	P	1	PCS
FB102	71L 59B121	TB160808B12 SMD	P	1	PCS
	715L1248 C	PCB	P	1	PCS
J101	95L 90 23	TIN COATED	P	1	PCS
J102	95L 90 23	TIN COATED	P	0	PCS
J103	95L 90 23	TIN COATED	P	0	PCS
J104	95L 90 23	TIN COATED	P	0	PCS
J105	95L 90 23	TIN COATED	P	0	PCS
J106	95L 90 23	TIN COATED	P	0	PCS
J107	95L 90 23	TIN COATED	P	0	PCS
J108	95L 90 23	TIN COATED	P	0	PCS
R101	61L 60247152T	470OHM +-5% 1/6W	P	1	PCS
R102	61L 60247152T	470OHM +-5% 1/6W	P	1	PCS
ZD101	93L 3973B52T	HZ6B2	P	1	PCS
ZD102	93L 3973B52T	HZ6B2	P	1	PCS
ZD103	93L 3973B52T	HZ6B2	P	1	PCS
ZD104	93L 3973B52T	HZ6B2	P	1	PCS
ZD105	93L 3973B52T	HZ6B2	P	1	PCS
ZD106	93L 3973B52T	HZ6B2	P	1	PCS
	PW1742AUH2SMT	POWER BOARD FOR SMT	M	1	PCS
	PWPC1742AUH2A	POWER BOARD	M	1	PCS
	13L 13 3	CANOE CLIP	P	3	PCS
CN102	33L800912Y	11 PIN CONNECTOR	P	1	PCS
CN201	33L8020 4D U	WAFER	P	1	PCS
CN202	33L8020 4D U	WAFER	P	1	PCS
CN201	33L8020 4D AC	CONN.4P DIP BY ACES	P	0	PCS
CN202	33L8020 4D AC	CONN.4P DIP BY ACES	P	0	PCS
CN902	33L8029 5A H	3 PIN CONNECTOR	P	1	PCS

	40L 45762420A	ID LABEL	P	1.03	PCS
	51L 6 4500	RTV 胶	P	0	G
	51L 6 4502	RTV 胶	P	2	G
	51L 6 4503	RTV 胶	P	0	G
	52L6025 11669	MYLAR	P	1	PCS
IC902	56L 139 3	PC123FY2 BY SHARP	P	0	PCS
IC902	56L 139 3A	PC123Y22	P	1	PCS
IC902	56L 139 3B	PC123 Y82	P	0	PCS
NR901	61L 58050 WT	NTC 5 OHM 5A	P	1	PCS
R903	61L152M10458F	100K OHM 5% 2W	P	1	PCS
R917	61L152M398 64	0.39 OHM 2W	P	1	PCS
C911	63L107K224 US	X2 0.22UF 275VAC MPX	P	1	PCS
C903	63L107K334 U	MPX 0.33UF,275VAC,+/-10%	P	1	PCS
C209	65L 3J1006ET	TDK,10PF,+/-5%,3KV	P	1	PCS
C237	65L 3J1006ET	TDK,10PF,+/-5%,3KV	P	1	PCS
C239	65L 3J1006ET	TDK,10PF,+/-5%,3KV	P	1	PCS
C244	65L 3J1006ET	TDK,10PF,+/-5%,3KV	P	1	PCS
C205	65L 3J4706ET	47PF 5% 3KV TDK	P	1	PCS
C208	65L 3J4706ET	47PF 5% 3KV TDK	P	1	PCS
C236	65L 3J4706ET	47PF 5% 3KV TDK	P	1	PCS
C243	65L 3J4706ET	47PF 5% 3KV TDK	P	1	PCS
C901	65L305M2222B2	2200PF 400VAC/250VAC	P	1	PCS
C902	65L305M2222B2	2200PF 400VAC/250VAC	P	1	PCS
C912	65L305M2222B2	2200PF 400VAC/250VAC	P	1	PCS
C922	67L 215102 3H	1000UF +/-20% 16V	P	1	PCS
C923	67L 215102 3H	1000UF +/-20% 16V	P	1	PCS
C922	67L 215102 3K	1000UF +/-20% 16V	P	0	PCS
C923	67L 215102 3K	1000UF +/-20% 16V	P	0	PCS
C904	67L305S12114K	E.C 105 CAP	P	1	PCS
FB901	71L 55 29	FERRITE BEAD	P	1	PCS
L901	73L 174 26 T1	LINE LILTER 0.45mm	P	1	PCS
L903	73L 253 91 L	CHOKE BY LI TA	P	0	PCS
L904	73L 253 91 L	CHOKE BY LI TA	P	0	PCS
L903	73L 253 91 LS	CHOKE BY LI SHIN	P	1	PCS
L904	73L 253 91 LS	CHOKE BY LI SHIN	P	1	PCS
T901	80LL17T 2 L	ADAPTOR BY LITAI	P	0	PCS
T901	80LL17T 2 T	X'FMR	P	1	PCS
T901	80LL17T 2 LS	ADAPTOR BY LISHIN	P	0	PCS
PT201	80LL17T 16 LC	XFMR	P	1	PCS
PT202	80LL17T 16 LC	XFMR	P	1	PCS

DB901	93L 50460 8	BRIDGE 2KBP06M2A600V	P	1	PCS
D901	93L 6026T52T	RECTIFIER DIODE FR107	P	1	PCS
D902	93L 6038P52T	PS102R	P	1	PCS
	705L 780 57 47	Q903 ASS'Y	X	1	PCS
	705L 780 93 09	D910/D911	X	1	PCS
IC901	56L 379 33	SG6841S	P	1	PCS
IC201	56L 608 6	IC	P	1	PCS
Q206	57L 417 4	PMBS3904/PHILIPS-SMT(04	P	1	PCS
Q204	57L 600 40	MOSFET	P	1	PCS
Q208	57L 600 40	MOSFET	P	1	PCS
Q209	57L 600 40	MOSFET	P	1	PCS
Q210	57L 600 40	MOSFET	P	1	PCS
Q205	57L 760 4	DTA144WKA BY ROHM SMT(7	P	1	PCS
Q207	57L 760 5	DTC144WKA BY ROHM SMT(8	P	1	PCS
R927	61L0805000	CHIP O OHM 1/8W	P	1	PCS
R912	61L0805101	CHIPR 100 OHM +-5% 1/8W	P	1	PCS
R201	61L0805102	CHIPR 1K OHM +-5% 1/8W	P	1	PCS
R205	61L0805102	CHIPR 1K OHM +-5% 1/8W	P	1	PCS
R206	61L0805102	CHIPR 1K OHM +-5% 1/8W	P	1	PCS
R218	61L0805102	CHIPR 1K OHM +-5% 1/8W	P	1	PCS
R239	61L0805102	CHIPR 1K OHM +-5% 1/8W	P	1	PCS
R925	61L0805102	CHIPR 1K OHM +-5% 1/8W	P	1	PCS
R926	61L0805102	CHIPR 1K OHM +-5% 1/8W	P	1	PCS
R928	61L0805102	CHIPR 1K OHM +-5% 1/8W	P	1	PCS
R203	61L0805103	CHIPR 10K OHM +-5% 1/8W	P	1	PCS
R204	61L0805103	CHIPR 10K OHM +-5% 1/8W	P	1	PCS
R207	61L0805103	CHIPR 10K OHM +-5% 1/8W	P	1	PCS
R913	61L0805103	CHIPR 10K OHM +-5% 1/8W	P	1	PCS
R916	61L0805103	CHIPR 10K OHM +-5% 1/8W	P	1	PCS
R216	61L0805105	CHIP 1M OHM 5% 1/8W	P	1	PCS
R223	61L0805105	CHIP 1M OHM 5% 1/8W	P	1	PCS
R215	61L0805201	200 OHM 0805 1/8W	P	1	PCS
R234	61L0805201	200 OHM 0805 1/8W	P	1	PCS
R220	61L0805220	CHIP 22 OHM 5% 0805 1/8	P	1	PCS
R915	61L0805220	CHIP 22 OHM 5% 0805 1/8	P	1	PCS
R932	61L0805221	CHIPR 220 OHM +-5% 1/8W	P	1	PCS
R924	61L0805242	CHIP 2.4KOHM 1% 1/8W	P	1	PCS
R914	61L0805243	SMD 24KOHM/0805/+5% 1/	P	1	PCS
R226	61L0805334	CHIP 330KOHM 5% 0805 1/	P	1	PCS
R237	61L0805394	CHIP 390KOHM 5% 0805 1/	P	1	PCS

R910	61L0805472	CHIRP 4.7K OHM +-5% 1/8	P	1	PCS
R911	61L0805472	CHIRP 4.7K OHM +-5% 1/8	P	1	PCS
R236	61L0805514	510KOHM 1/8W	P	1	PCS
R217	61L0805683	CHIPR 68K OHM+-5% 1/8W	P	1	PCS
R219	61L0805912	CHIP 9.1KOHM 5% 0805 1/	P	1	PCS
R929	61L1206101	CHIP 100 OHM 5% 1/4W	P	1	PCS
R906	61L1206105	CHIP 1MOHM 5% 1/4W	P	1	PCS
R907	61L1206105	CHIP 1MOHM 5% 1/4W	P	1	PCS
R202	61L1206150	CHIP 15 OHM 5% 1206 1/4	P	1	PCS
R900	61L1206394	CHIPR 390KOHM+-5% 1/4W	P	1	PCS
R901	61L1206394	CHIPR 390KOHM+-5% 1/4W	P	1	PCS
R902	61L1206394	CHIPR 390KOHM+-5% 1/4W	P	1	PCS
R244	61L1206471	CHIPR 470 OHM+-5% 1/4W	P	1	PCS
R909	61L1206472	CHIP 4.7KOHM 5% 1/4W	P	1	PCS
R908	61L1206519	CHIPR 510OHM +-5% 1/4W	P	1	PCS
C232	65L0603152 32	1500PF +-10% 50V X7R 06	P	1	PCS
C910	65L0805102 32	CHIP 1000P 50VX7R 0805	P	1	PCS
C211	65L0805104 22	0.1UF +-10% 25V X7R 080	P	1	PCS
C202	65L0805104 32	CHIP 0.1UF 50V X7R	P	1	PCS
C210	65L0805104 32	CHIP 0.1UF 50V X7R	P	1	PCS
C212	65L0805104 32	CHIP 0.1UF 50V X7R	P	1	PCS
C217	65L0805104 32	CHIP 0.1UF 50V X7R	P	1	PCS
C226	65L0805104 32	CHIP 0.1UF 50V X7R	P	1	PCS
C227	65L0805104 32	CHIP 0.1UF 50V X7R	P	1	PCS
C229	65L0805104 32	CHIP 0.1UF 50V X7R	P	1	PCS
C235	65L0805104 32	CHIP 0.1UF 50V X7R	P	1	PCS
C240	65L0805104 32	CHIP 0.1UF 50V X7R	P	1	PCS
C907	65L0805104 32	CHIP 0.1UF 50V X7R	P	1	PCS
C909	65L0805104 32	CHIP 0.1UF 50V X7R	P	1	PCS
C926	65L0805104 32	CHIP 0.1UF 50V X7R	P	1	PCS
C927	65L0805104 32	CHIP 0.1UF 50V X7R	P	1	PCS
C929	65L0805104 32	CHIP 0.1UF 50V X7R	P	1	PCS
C213	65L0805105 22	CHIP 1UF 25V X7R 0805	P	1	PCS
C219	65L0805105 22	CHIP 1UF 25V X7R 0805	P	1	PCS
C222	65L0805105 22	CHIP 1UF 25V X7R 0805	P	1	PCS
C220	65L0805221 32	CHIP 220PF 50V X7R 0805	P	1	PCS
C215	65L0805392 32	3900PF/50V	P	1	PCS
C241	65L0805392 32	3900PF/50V	P	1	PCS
C218	65L0805470 31	47PF/50V/0805/NPO	P	1	PCS
C930	65L0805471 21	CHIP 470PF 25V NPO	P	1	PCS

C216	65L0805472 32	4700PF/50V/0805/X7R	P	1	PCS
C228	65L0805472 32	4700PF/50V/0805/X7R	P	1	PCS
C242	65L0805472 32	4700PF/50V/0805/X7R	P	1	PCS
C214	65L0805473 32	CHIP 0.047UF 50V X7R	P	1	PCS
C230	65L0805473 32	CHIP 0.047UF 50V X7R	P	1	PCS
C221	65L0805474 22	CHIP 0.47UF 25V X7R 080	P	1	PCS
C224	65L0805682 32	CHIP 6.8UF 50V X7R 0805	P	1	PCS
C203	65L1206225 22	2.2UF 25V X7R 1206	P	1	PCS
C206	65L1206225 22	2.2UF 25V X7R 1206	P	1	PCS
C207	65L1206225 22	2.2UF 25V X7R 1206	P	1	PCS
C231	65L1206225 22	2.2UF 25V X7R 1206	P	1	PCS
C233	65L1206225 22	2.2UF 25V X7R 1206	P	1	PCS
C234	65L1206225 22	2.2UF 25V X7R 1206	P	1	PCS
D903	93L 6432V	LL4148-GS08	P	1	PCS
D904	93L 6432V	LL4148-GS08	P	1	PCS
D201	93L 6433G	BAV99-SMT	P	0	PCS
D204	93L 6433G	BAV99-SMT	P	0	PCS
D206	93L 6433G	BAV99-SMT	P	0	PCS
D210	93L 6433G	BAV99-SMT	P	0	PCS
D201	93L 6433P	BAV99	P	1	PCS
D204	93L 6433P	BAV99	P	1	PCS
D206	93L 6433P	BAV99	P	1	PCS
D210	93L 6433P	BAV99	P	1	PCS
ZD904	93L 39S 16 T	SML4737A/1	P	0	PCS
ZD904	93L 39S 19 T	PTZ7.5B	P	1	PCS
ZD901	93L 39S 20 T	RLZ22B BY ROHM	P	1	PCS
ZD901	93L 39S 23 T	PLZ22B	P	0	PCS
ZD201	93L 39S 24 T	RLZTE-115.6B ROHM	P	1	PCS
ZD202	93L 39S 24 T	RLZTE-115.6B ROHM	P	1	PCS
ZD203	93L 39S 24 T	RLZTE-115.6B ROHM	P	1	PCS
CN901	6L 31500	EYELET	P	3	PCS
C904	6L 31502	1.5MM RIVET	P	2	PCS
L901	6L 31502	1.5MM RIVET	P	4	PCS
PT201	6L 31502	1.5MM RIVET	P	2	PCS
PT202	6L 31502	1.5MM RIVET	P	2	PCS
T901	6L 31502	1.5MM RIVET	P	4	PCS
	715L1236 DAUO	POWER BOARD	P	1	PCS
C204	95L 90 23	TIN COATED	P	0	PCS
C238	95L 90 23	TIN COATED	P	0	PCS
C245	95L 90 23	TIN COATED	P	0	PCS

C246	95L 90 23	TIN COATED	P	0	PCS
J901	95L 90 23	TIN COATED	P	0	PCS
J903	95L 90 23	TIN COATED	P	0	PCS
J904	95L 90 23	TIN COATED	P	0	PCS
J905	95L 90 23	TIN COATED	P	0	PCS
J906	95L 90 23	TIN COATED	P	0	PCS
J907	95L 90 23	TIN COATED	P	0	PCS
J908	95L 90 23	TIN COATED	P	0	PCS
J909	95L 90 23	TIN COATED	P	0	PCS
J910	95L 90 23	TIN COATED	P	0	PCS
J913	95L 90 23	TIN COATED	P	0	PCS
J916	95L 90 23	TIN COATED	P	0	PCS
J918	95L 90 23	TIN COATED	P	0	PCS
J925	95L 90 23	TIN COATED	P	0	PCS
J927	95L 90 23	TIN COATED	P	0	PCS
J928	95L 90 23	TIN COATED	P	0	PCS
J929	95L 90 23	TIN COATED	P	0	PCS
J930	95L 90 23	TIN COATED	P	0	PCS
J931	95L 90 23	TIN COATED	P	0	PCS
J933	95L 90 23	TIN COATED	P	0	PCS
J934	95L 90 23	TIN COATED	P	0	PCS
J935	95L 90 23	TIN COATED	P	0	PCS
J936	95L 90 23	TIN COATED	P	0	PCS
J937	95L 90 23	TIN COATED	P	0	PCS
J938	95L 90 23	TIN COATED	P	0	PCS
J939	95L 90 23	TIN COATED	P	0	PCS
J940	95L 90 23	TIN COATED	P	0	PCS
J941	95L 90 23	TIN COATED	P	0	PCS
J942	95L 90 23	TIN COATED	P	0	PCS
J943	95L 90 23	TIN COATED	P	0	PCS
J944	95L 90 23	TIN COATED	P	0	PCS
J945	95L 90 23	TIN COATED	P	0	PCS
J948	95L 90 23	TIN COATED	P	0	PCS
R922	61L 21033352T	33K 1/6W 1%	P	1	PCS
R923	61L 21036252T	3.6K 1/6W 1%	P	1	PCS
R209	61L 60222052T	CFR 22 OHM+-5% 1/6W	P	1	PCS
R221	61L 60233352T	33KOHM 1% 1/6W	P	1	PCS
R222	61L 60251352T	51KOHM +-5% 1/6W	P	1	PCS
R920	61L175L47052T	47OHM +-5% 1/2W	P	1	PCS
R921	61L175L47052T	47OHM +-5% 1/2W	P	1	PCS



F901	84L 56 1	FUSE 2A 250V WICKMANN	P	1	PCS
ZD902	93L 39 7152T	HZ15-1	P	1	PCS
ZD903	93L 3951352T	HZ6C2	P	1	PCS
IC903	56L 158 10 T	AZ431AZ-A AAC	P	1	PCS
Q902	57L 419 PP T	2PC945P	P	1	PCS
Q901	57L 420 PP T	2PA733P	P	1	PCS
C905	65L 1K222 2T	0.0022UF 1KV +-10%	P	1	PCS
C920	65L517K102 5T	1000PF 10% Y5P 500V	P	1	PCS
C921	65L517K102 5T	1000PF 10% Y5P 500V	P	1	PCS
C924	67L215B4713HT	470UF 16V LTR471M1CF11V	P	1	PCS
C925	67L215B4713HT	470UF 16V LTR471M1CF11V	P	1	PCS
C201	67L215C4713KT	470UF/16V	P	1	PCS
C225	67L215C4713KT	470UF/16V	P	1	PCS
C906	67L215L1007KT	10UF 50V	P	1	PCS
C931	67L215L1007KT	10UF 50V	P	1	PCS
	51L 200 1	散热油	P	2	G
Q903	57L 724 4	2SK2996	P	0	PCS
Q903	57L 724 4A	STP9NK60ZFP	P	1	PCS
	90L6064 1	HEAT SINK	P	1	PCS
	M1L1730 8128	SCREW M3x8	P	1	PCS
	51L 200 1	散热油	P	2	G
	90L6064 1	HEAT SINK	P	1	PCS
D911	93L 60237	SRF20100C	P	1	PCS
D910	93L 60245	SP10150	P	1	PCS
	M1L1730 8128	SCREW M3x8	P	2	PCS
	12L 394 4	RUBBER FOOT	P	6	PCS
	15L8007 1	BASE BRACKET	P	1	PCS
	33L4595 A5 L	POWER COVER	P	1	PCS
	33L4596 A7 L	POWER KNOB	P	1	PCS
	33L4597 A5 L	OSD BUTTON	P	1	PCS
	33L4598 1	POWER LENS	P	1	PCS
	34L1314 A6 L	BASE	P	1	PCS
	34L1315BA5 L	BEZEL	P	1	PCS
	37L6014 GB A	HINGE	P	1	PCS
	78L 329 1 L	SPEAKER 40HM/2W	P	1	PCS
	78L 329 1 R	SPEAKER 40HM/2W	P	1	PCS
	Q1L 130 6120	SCREW (T3X6)	P	8	PCS
	Q1L1030 8128	SCREW	P	4	PCS
	CNPC560CP	CNPC ASS'Y	M	1	PCS
	15L8010 1	AC SUPPORT BRACKET	P	1	PCS

	52L6025 11552	MYLAR	P	1	PCS
	87L 501 13 CJ	AC SOCKET ASS'Y	X	0	PCS
	87L 501 13 RF	AC SOCKET	P	1	PCS
	89L1735GAA 13	SIGNAL CABLE	P	1	PCS
	95L205S354022	HARNESS	P	1	PCS
	95L8021 2505	WIRE HARNESS	P	1	PCS
	96L 29 6	SHRINK TUBE UL/CSA	P	60	MM
	51L 6 4500	RTV 胶	P	0	G
	51L 6 4502	RTV 胶	P	0	G
	51L 6 4503	RTV 胶	P	1	G
J1	88L 30213S	PHONE JACK 3P GREEN	P	1	PCS
JP1	95L8014 3 8	HARNESS	P	1	PCS
	715L1065 1 B	PCB	P	1	PCS

## T780KQXHKHHPA

插件位置	元件料号编号	品名规格	来源	组成 用量	单位
	AUPC780HP	AUDIO BOARD FOR T780*HP	M	1	PCS
	CBPC780KQXHPA	CONVERSION BOARD	M	1	PCS
	KEPC780KC8	KEY BOARD	M	1	PCS
	PWPC1742QDH2	POWER BOARD	M	1	PCS
	15L5689 1 A	GND LUG (AL)	P	1	PCS
	15L8006 6	MAIN FRAME	P	1	PCS
	34L1316 A6 L	REAR COVER	P	1	PCS
	40L 190690 1	ID LABEL	P	1	PCS
	40L 581 26704	唛头纸 FOR CARTON/PALLET	P	0.01	PCS
	44L3231 15	EVA WASHER	P	1	PCS
	44L3731 1	EPS	P	1	PCS
	44L3731 2	EPS	P	1	PCS
	44L3731624 1A	CARTON	P	1	PCS
	45L 77 3	打包膜	P	398	CM
	45L 77500	BARCODE RIBBON	P	19	CM
	45L 88609 2	EPE COVER	P	1	PCS
	45L 88626 H	PE BAG FOR MONITOR	P	1	PCS
	52L 1186	SMALL TAPE	P	8	CM
	52L 1207 A	ALUMINIUM TAPE	P	1	PCS
	52L 1211 A	ALUMINIUM TAPE	P	2	PCS
	52L 1211505		P	1	PCS
	52L6020 1	PROTECT FILM	P	1	PCS
	52L6022 3	SMALL TAPE	P	15	CM
	52L6025 11657	INSULATE SHEET	P	1	PCS
	52L6025 11658	INSULATE SHEET	P	1	PCS
	85L 667 1	SHIELD	P	1	PCS
	89L404A18N IS	POWER CORD 插墙	P	1	PCS
	95L8014 12 11	HARNESS	P	1	PCS
	95L8014 18 1	KEY BOARD HARNESS	P	1	PCS
	95L8018 30 34	WIRELARNNESS/LVDS	P	1	PCS
	M1L 330 4128	SCREW M3X4	P	2	PCS
	M1L 330 6128	SCREW	P	5	PCS
	M1L1140 6128	SCREW 4X6	P	1	PCS
	M1L1430 6128	SCREW M3X6	P	12	PCS
	M1L1730 6128	SCREW M3x6	P	11	PCS
	M1L2130 4120	SCREW	P	1	PCS

	Q1L 330 8120	SCREW 3X8mm	P	3PCS
	Q1L 340 10 47	SCREW 4X10mm	P	7PCS
	Q1L1030 8128	SCREW	P	3PCS
	705L780KP34 HP	支架组件	X	1PCS
	705L780KP87 HP	AC INPUT ASS'Y	X	1PCS
	750LLQ70L07	QDI 17" PANEL	P	1PCS
	AM1L1740 12 47	SCREW	P	2PCS
	AUPC780HPSMT	AUDIO BOARD	M	1PCS
CN702	33L3802 3H	WAFER 3P RIGHT ANGLE	P	1PCS
CN701	33L802414C H	2*7PIN DUAL ROW RIGHT A	P	1PCS
	51L 200 1	散热油	P	2G
U701	56L 616 10	TDA1517 SOT110-1	P	1PCS
C704	67L 215102 3H	1000UF +-20% 16V	P	1PCS
C713	67L 215102 3H	1000UF +-20% 16V	P	1PCS
C714	67L 215102 3H	1000UF +-20% 16V	P	1PCS
C709	67L 309101 3	100UF +-20% 16V	P	1PCS
C718	67L 309101 3	100UF +-20% 16V	P	1PCS
C701	67L 309479 3	4.7UF +-20% 16V	P	1PCS
C702	67L 309479 3	4.7UF +-20% 16V	P	1PCS
L701	73L 253139 LS	CHOKE	P	1PCS
U701	90L 419 1	HEAT SINK	P	1PCS
U701	90L 420 1	HEAT SINK	P	1PCS
	M1L1730 8128	SCREW M3x8	P	1PCS
Q701	57L 417 4	PMBS3904/PHILIPS-SMT(04	P	1PCS
R708	61L0603101	CHIPR 100 OHM +-5% 1/10	P	1PCS
R712	61L0603102	CHIPR 1K OHM +-5% 1/10W	P	1PCS
R716	61L0603102	CHIPR 1K OHM +-5% 1/10W	P	1PCS
R709	61L0603103	CHIPR 10K OHM +-5% 1/10	P	1PCS
R706	61L0603104	CHIPR 100K OHM +-5% 1/1	P	1PCS
R717	61L0603152	CHIPR 1.5KOHM+-5% 1/10W	P	1PCS
R718	61L0603152	CHIPR 1.5KOHM+-5% 1/10W	P	1PCS
R719	61L0603182	CHIPR 1.8KOHM	P	1PCS
R705	61L0603204	CHIPR 200KOHM +-5% 1/10	P	1PCS
R701	61L0603222	CHIPR 2.2K OHM+-5% 1/10	P	1PCS
R702	61L0603222	CHIPR 2.2K OHM+-5% 1/10	P	1PCS
R713	61L0603223	CHIPR 22K OHM +-5% 1/10	P	1PCS
FB701	61L0603332	CHIP 3.3K OHM 1/10W	P	1PCS
FB702	61L0603332	CHIP 3.3K OHM 1/10W	P	1PCS
R707	61L0603472	CHIPR 4.7K OHM +-5% 1/1	P	1PCS
R703	61L0603473	CHIP 47K OHM 1/10W	P	1PCS

R704	61L0603473	CHIP 47K OHM 1/10W	P	1PCS
R715	61L0603473	CHIP 47K OHM 1/10W	P	1PCS
C706	65L0603104 12	0.1UF +-10% 16V X7R	P	1PCS
C710	65L0603104 12	0.1UF +-10% 16V X7R	P	1PCS
C711	65L0603104 12	0.1UF +-10% 16V X7R	P	1PCS
C712	65L0603104 12	0.1UF +-10% 16V X7R	P	1PCS
C715	65L0603104 12	0.1UF +-10% 16V X7R	P	1PCS
C151	65L0603104 32	CHIP 0.1UF 50V X7R	P	1PCS
C716	65L0603121 31	CHIP 120PF 50V NPO	P	1PCS
C717	65L0603121 31	CHIP 120PF 50V NPO	P	1PCS
C703	65L0603560 31	CHIP 56PF 50V NPO	P	1PCS
C705	65L0603560 31	CHIP 56PF 50V NPO	P	1PCS
C707	65L0603562 32	CHIP 5600PF 50V X7R	P	1PCS
C708	65L0603562 32	CHIP 5600PF 50V X7R	P	1PCS
L703	71L 59B121	TB160808B12 SMD	P	1PCS
L704	71L 59B121	TB160808B12 SMD	P	1PCS
D701	93L 6432V	LL4148-GS08	P	1PCS
D702	93L 6432V	LL4148-GS08	P	1PCS
	715L1249 E 2	PCB	P	1PCS
	AIC780KAXHPA	MAIN BOARD	M	1PCS
CN601	33L801714A H	PIN HEADER 2*7 R/A	P	1PCS
CN503	33L801724E H	PIN	P	1PCS
CN201	33L8027 12	WAFER 2*6P 2.0MM R/A	P	1PCS
CN303	33L8027 14 H	WAFER 14P 2.0MM DIP DUA	P	1PCS
CN602	33L8027 16	WAFER 16PIN 2.0mm DIP	P	1PCS
	40L 457624 1B	CPU LABEL	P	1PCS
	40L 45762412A	CBPC LABEL	P	1PCS
U601	56L1125543	MTV512MV	P	1PCS
C211	67L215B1014HV	EC 100UF 25V LTR101M1EE	P	1PCS
C215	67L215B1014HV	EC 100UF 25V LTR101M1EE	P	1PCS
C202	67L215B2214HV	LOW ESR 220UF 25V 8*11	P	1PCS
C204	67L215B2214HV	LOW ESR 220UF 25V 8*11	P	1PCS
C208	67L309V100 4	10UF +-20% 25V	P	1PCS
C402	67L309V100 4	10UF +-20% 25V	P	1PCS
C411	67L309V100 4	10UF +-20% 25V	P	1PCS
C416	67L309V100 4	10UF +-20% 25V	P	1PCS
C419	67L309V100 4	10UF +-20% 25V	P	1PCS
C422	67L309V100 4	10UF +-20% 25V	P	1PCS
C428	67L309V100 4	10UF +-20% 25V	P	1PCS
C206	67L309V109 7	1UF +-20% 50V	P	1PCS

X601	93L 22 51	CRYSTAL 12MHz HC-49US A	P	1PCS
X401	93L 22 53	CRYSTAL 14.318MHzHC-49U	P	1PCS
U401	56L 562 53	MST9111B PQFP-128	P	1PCS
U202	56L 563 7	AIC1084-33CM	P	1PCS
U201	56L 585 7	RT9164-25CL	P	1PCS
U203	56L 643 5A	MAX810STR SOT-23	P	1PCS
U301	56L1133 20	AT24C02N-10SC BY ATMEL	P	1PCS
U602	56L1133 24	AT24C16N-10SC-2.7	P	1PCS
U301	56L1133 34	M24C02-WMN6T SMT	P	0PCS
U602	56L1133 56	M24C16-WMN6T/W	P	0PCS
Q201	57L 417 4	PMBS3904/PHILIPS-SMT(04	P	1PCS
Q202	57L 417 4	PMBS3904/PHILIPS-SMT(04	P	1PCS
Q204	57L 417 4	PMBS3904/PHILIPS-SMT(04	P	1PCS
Q601	57L 417 6	PMBS3906/PHILIPS-SMT(06	P	1PCS
Q602	57L 417 6	PMBS3906/PHILIPS-SMT(06	P	1PCS
Q203	57L 763 1	A03401 SOT23 BY AOS(A1)	P	1PCS
RN601	61L 125103 8	CHIP AR 8P4R 10KOHM +-5	P	1PCS
RN602	61L 125103 8	CHIP AR 8P4R 10KOHM +-5	P	1PCS
RN603	61L 125103 8	CHIP AR 8P4R 10KOHM +-5	P	1PCS
RN604	61L 125103 8	CHIP AR 8P4R 10KOHM +-5	P	1PCS
R201	61L0603000	CHIPR 0OHM +-5% 1/10W	P	1PCS
R209	61L0603000	CHIPR 0OHM +-5% 1/10W	P	1PCS
R351	61L0603000	CHIPR 0OHM +-5% 1/10W	P	1PCS
R355	61L0603000	CHIPR 0OHM +-5% 1/10W	P	1PCS
R357	61L0603000	CHIPR 0OHM +-5% 1/10W	P	1PCS
R358	61L0603000	CHIPR 0OHM +-5% 1/10W	P	1PCS
R359	61L0603000	CHIPR 0OHM +-5% 1/10W	P	1PCS
R502	61L0603000	CHIPR 0OHM +-5% 1/10W	P	1PCS
R638	61L0603000	CHIPR 0OHM +-5% 1/10W	P	1PCS
R308	61L0603101	CHIPR 100 OHM +-5% 1/10	P	1PCS
R309	61L0603101	CHIPR 100 OHM +-5% 1/10	P	1PCS
R310	61L0603101	CHIPR 100 OHM +-5% 1/10	P	1PCS
R312	61L0603101	CHIPR 100 OHM +-5% 1/10	P	1PCS
R314	61L0603101	CHIPR 100 OHM +-5% 1/10	P	1PCS
R608	61L0603101	CHIPR 100 OHM +-5% 1/10	P	1PCS
R609	61L0603101	CHIPR 100 OHM +-5% 1/10	P	1PCS
R636	61L0603101	CHIPR 100 OHM +-5% 1/10	P	1PCS
R203	61L0603102	CHIPR 1K OHM +-5% 1/10W	P	1PCS
R204	61L0603102	CHIPR 1K OHM +-5% 1/10W	P	1PCS
R315	61L0603102	CHIPR 1K OHM +-5% 1/10W	P	1PCS

R202	61L0603103	CHIPR 10K OHM +-5% 1/10	P	1PCS
R206	61L0603103	CHIPR 10K OHM +-5% 1/10	P	1PCS
R208	61L0603103	CHIPR 10K OHM +-5% 1/10	P	1PCS
R211	61L0603103	CHIPR 10K OHM +-5% 1/10	P	1PCS
R213	61L0603103	CHIPR 10K OHM +-5% 1/10	P	1PCS
R311	61L0603103	CHIPR 10K OHM +-5% 1/10	P	1PCS
R317	61L0603103	CHIPR 10K OHM +-5% 1/10	P	1PCS
R601	61L0603103	CHIPR 10K OHM +-5% 1/10	P	1PCS
R602	61L0603103	CHIPR 10K OHM +-5% 1/10	P	1PCS
R604	61L0603103	CHIPR 10K OHM +-5% 1/10	P	1PCS
R605	61L0603103	CHIPR 10K OHM +-5% 1/10	P	1PCS
R606	61L0603103	CHIPR 10K OHM +-5% 1/10	P	1PCS
R607	61L0603103	CHIPR 10K OHM +-5% 1/10	P	1PCS
R613	61L0603103	CHIPR 10K OHM +-5% 1/10	P	1PCS
R614	61L0603103	CHIPR 10K OHM +-5% 1/10	P	1PCS
R627	61L0603103	CHIPR 10K OHM +-5% 1/10	P	1PCS
R631	61L0603103	CHIPR 10K OHM +-5% 1/10	P	1PCS
R642	61L0603103	CHIPR 10K OHM +-5% 1/10	P	1PCS
R643	61L0603103	CHIPR 10K OHM +-5% 1/10	P	1PCS
R639	61L0603104	CHIPR 100K OHM +-5% 1/1	P	1PCS
FB304	61L0603151	CHIPR 150 OHM +-5% 1/10	P	1PCS
R313	61L0603151	CHIPR 150 OHM +-5% 1/10	P	1PCS
R501	61L0603202	CHIPR 2K OHM+-5% 1/10W	P	1PCS
R610	61L0603221	CHIPR 220 OHM+-5% 1/10W	P	1PCS
R611	61L0603221	CHIPR 220 OHM+-5% 1/10W	P	1PCS
R316	61L0603222	CHIPR 2.2K OHM+-5% 1/10	P	1PCS
R401	61L0603390 0F	CHIP 390 OHM 1/10W 1%	P	1PCS
R320	61L0603470	CHIPR 47 OHM +-5% 1/10W	P	1PCS
R321	61L0603470	CHIPR 47 OHM +-5% 1/10W	P	1PCS
R305	61L0603471	CHIPR 470 OHM+-5% 1/10W	P	1PCS
R617	61L0603471	CHIPR 470 OHM+-5% 1/10W	P	1PCS
R618	61L0603471	CHIPR 470 OHM+-5% 1/10W	P	1PCS
R205	61L0603472	CHIPR 4.7K OHM +-5% 1/1	P	1PCS
R207	61L0603472	CHIPR 4.7K OHM +-5% 1/1	P	1PCS
R212	61L0603472	CHIPR 4.7K OHM +-5% 1/1	P	1PCS
R318	61L0603472	CHIPR 4.7K OHM +-5% 1/1	P	1PCS
R319	61L0603472	CHIPR 4.7K OHM +-5% 1/1	P	1PCS
R402	61L0603472	CHIPR 4.7K OHM +-5% 1/1	P	1PCS
R403	61L0603472	CHIPR 4.7K OHM +-5% 1/1	P	1PCS
R616	61L0603472	CHIPR 4.7K OHM +-5% 1/1	P	1PCS

R619	61L0603472	CHIPR 4.7K OHM +-5% 1/1	P	1PCS
R301	61L0603750	CHIPR 75 OHM+-5% 1/10W	P	1PCS
R302	61L0603750	CHIPR 75 OHM+-5% 1/10W	P	1PCS
R303	61L0603750	CHIPR 75 OHM+-5% 1/10W	P	1PCS
R304	61L0603750	CHIPR 75 OHM+-5% 1/10W	P	1PCS
R306	61L0603750	CHIPR 75 OHM+-5% 1/10W	P	1PCS
R307	61L0603750	CHIPR 75 OHM+-5% 1/10W	P	1PCS
C305	65L0603102 32	1000PF +-10% 50V X7R	P	1PCS
C201	65L0603104 32	CHIP 0.1UF 50V X7R	P	1PCS
C203	65L0603104 32	CHIP 0.1UF 50V X7R	P	1PCS
C205	65L0603104 32	CHIP 0.1UF 50V X7R	P	1PCS
C207	65L0603104 32	CHIP 0.1UF 50V X7R	P	1PCS
C210	65L0603104 32	CHIP 0.1UF 50V X7R	P	1PCS
C212	65L0603104 32	CHIP 0.1UF 50V X7R	P	1PCS
C214	65L0603104 32	CHIP 0.1UF 50V X7R	P	1PCS
C216	65L0603104 32	CHIP 0.1UF 50V X7R	P	1PCS
C217	65L0603104 32	CHIP 0.1UF 50V X7R	P	1PCS
C313	65L0603104 32	CHIP 0.1UF 50V X7R	P	1PCS
C401	65L0603104 32	CHIP 0.1UF 50V X7R	P	1PCS
C403	65L0603104 32	CHIP 0.1UF 50V X7R	P	1PCS
C404	65L0603104 32	CHIP 0.1UF 50V X7R	P	1PCS
C405	65L0603104 32	CHIP 0.1UF 50V X7R	P	1PCS
C406	65L0603104 32	CHIP 0.1UF 50V X7R	P	1PCS
C407	65L0603104 32	CHIP 0.1UF 50V X7R	P	1PCS
C409	65L0603104 32	CHIP 0.1UF 50V X7R	P	1PCS
C410	65L0603104 32	CHIP 0.1UF 50V X7R	P	1PCS
C412	65L0603104 32	CHIP 0.1UF 50V X7R	P	1PCS
C413	65L0603104 32	CHIP 0.1UF 50V X7R	P	1PCS
C414	65L0603104 32	CHIP 0.1UF 50V X7R	P	1PCS
C415	65L0603104 32	CHIP 0.1UF 50V X7R	P	1PCS
C417	65L0603104 32	CHIP 0.1UF 50V X7R	P	1PCS
C418	65L0603104 32	CHIP 0.1UF 50V X7R	P	1PCS
C420	65L0603104 32	CHIP 0.1UF 50V X7R	P	1PCS
C421	65L0603104 32	CHIP 0.1UF 50V X7R	P	1PCS
C423	65L0603104 32	CHIP 0.1UF 50V X7R	P	1PCS
C424	65L0603104 32	CHIP 0.1UF 50V X7R	P	1PCS
C425	65L0603104 32	CHIP 0.1UF 50V X7R	P	1PCS
C429	65L0603104 32	CHIP 0.1UF 50V X7R	P	1PCS
C510	65L0603104 32	CHIP 0.1UF 50V X7R	P	1PCS
C511	65L0603104 32	CHIP 0.1UF 50V X7R	P	1PCS



C601	65L0603104 32	CHIP 0.1UF 50V X7R	P	1PCS
C605	65L0603104 32	CHIP 0.1UF 50V X7R	P	1PCS
C606	65L0603104 32	CHIP 0.1UF 50V X7R	P	1PCS
C607	65L0603104 32	CHIP 0.1UF 50V X7R	P	1PCS
C608	65L0603104 32	CHIP 0.1UF 50V X7R	P	1PCS
C609	65L0603104 32	CHIP 0.1UF 50V X7R	P	1PCS
C610	65L0603104 32	CHIP 0.1UF 50V X7R	P	1PCS
C613	65L0603104 32	CHIP 0.1UF 50V X7R	P	1PCS
C614	65L0603104 32	CHIP 0.1UF 50V X7R	P	1PCS
C426	65L0603220 31	CHIP 22PF 50V NPO	P	1PCS
C427	65L0603220 31	CHIP 22PF 50V NPO	P	1PCS
C602	65L0603220 31	CHIP 22PF 50V NPO	P	1PCS
C604	65L0603220 31	CHIP 22PF 50V NPO	P	1PCS
C312	65L0603221 31	CAP:CER 220PF 5% 50V SM	P	1PCS
C311	65L0603470 31	CHIP 47PF 50V NPO	P	1PCS
C302	65L0603473 32	CHIP 0.047UF 50V X7R	P	1PCS
C303	65L0603473 32	CHIP 0.047UF 50V X7R	P	1PCS
C304	65L0603473 32	CHIP 0.047UF 50V X7R	P	1PCS
C308	65L0603473 32	CHIP 0.047UF 50V X7R	P	1PCS
C309	65L0603473 32	CHIP 0.047UF 50V X7R	P	1PCS
C310	65L0603473 32	CHIP 0.047UF 50V X7R	P	1PCS
FB202	71L 56Z601	CHIP BEAD 600 OHM 0805	P	1PCS
FB401	71L 56Z601	CHIP BEAD 600 OHM 0805	P	1PCS
FB402	71L 56Z601	CHIP BEAD 600 OHM 0805	P	1PCS
FB403	71L 56Z601	CHIP BEAD 600 OHM 0805	P	1PCS
FB404	71L 56Z601	CHIP BEAD 600 OHM 0805	P	1PCS
FB405	71L 56Z601	CHIP BEAD 600 OHM 0805	P	1PCS
FB406	71L 56Z601	CHIP BEAD 600 OHM 0805	P	1PCS
FB601	71L 56Z601	CHIP BEAD 600 OHM 0805	P	1PCS
FB602	71L 56Z601	CHIP BEAD 600 OHM 0805	P	1PCS
R621	71L 59B601 EA	CHIP BEAD 600 OHM	P	1PCS
R622	71L 59B601 EA	CHIP BEAD 600 OHM	P	1PCS
R623	71L 59B601 EA	CHIP BEAD 600 OHM	P	1PCS
R624	71L 59B601 EA	CHIP BEAD 600 OHM	P	1PCS
R630	71L 59B601 EA	CHIP BEAD 600 OHM	P	1PCS
FB301	71L 59C300	30 OHM BEAD	P	1PCS
FB302	71L 59C300	30 OHM BEAD	P	1PCS
FB303	71L 59C300	30 OHM BEAD	P	1PCS
U601	87L 202 44	PLCC SMT CONN PD41C-441	P	1PCS
D305	93L 39147	TZMC5V6-GS08	P	1PCS

D306	93L 39147	TZMC5V6-GS08	P	1PCS
D307	93L 39147	TZMC5V6-GS08	P	1PCS
D308	93L 39147	TZMC5V6-GS08	P	1PCS
D309	93L 39147	TZMC5V6-GS08	P	1PCS
D327	93L 39147	TZMC5V6-GS08	P	1PCS
D328	93L 39147	TZMC5V6-GS08	P	1PCS
D329	93L 39147	TZMC5V6-GS08	P	1PCS
D305	93L 39149	MLL5232B BY FULL POWER	P	0PCS
D306	93L 39149	MLL5232B BY FULL POWER	P	0PCS
D307	93L 39149	MLL5232B BY FULL POWER	P	0PCS
D308	93L 39149	MLL5232B BY FULL POWER	P	0PCS
D309	93L 39149	MLL5232B BY FULL POWER	P	0PCS
D327	93L 39149	MLL5232B BY FULL POWER	P	0PCS
D328	93L 39149	MLL5232B BY FULL POWER	P	0PCS
D329	93L 39149	MLL5232B BY FULL POWER	P	0PCS
D304	93L 64 42 P	BAV70 SOT-23	P	1PCS
D203	93L 6433P	BAV99	P	1PCS
D301	93L 6433P	BAV99	P	1PCS
D302	93L 6433P	BAV99	P	1PCS
D303	93L 6433P	BAV99	P	1PCS
D205	93L 39S 30 T	MLL5228B	P	1PCS
D206	93L 39S 30 T	MLL5228B	P	1PCS
D204	93L 39S 31 T	7.5V ZENER/MLL5236B	P	1PCS
D201	93L3004 1	SMAL340XXXRO 3A 40V SMA	P	1PCS
D201	93L3004 2	SR34 PAN JIT	P	0PCS
D202	93L3020 19	ES3D 3A	P	1PCS
	715L1253 D	MAIN BOARD	P	1PCS
	AIK780KC8SMT	KEY BOARD	M	1PCS
CN3	33L3802 2H	WAFER 2P RIGHT ANGLE	P	1PCS
CN4	33L3802 2H	WAFER 2P RIGHT ANGLE	P	1PCS
CN401	33L8027 18	PIN HEADER 18P	P	1PCS
VR1	75L 35850322A	VR50K BLACK	P	1PCS
SW1	77L 600 1GCJ	TACT SWITCH TSPB-2	P	0PCS
SW2	77L 600 1GCJ	TACT SWITCH TSPB-2	P	0PCS
SW3	77L 600 1GCJ	TACT SWITCH TSPB-2	P	0PCS
SW4	77L 600 1GCJ	TACT SWITCH TSPB-2	P	0PCS
SW1	77L 600 1GHJ	KEY SWITCH	P	1PCS
SW2	77L 600 1GHJ	KEY SWITCH	P	1PCS
SW3	77L 600 1GHJ	KEY SWITCH	P	1PCS
SW4	77L 600 1GHJ	KEY SWITCH	P	1PCS

DP1	81L 12 1 GP	LED	P	1PCS
CN5	88L 30211K	PHONE JACK	P	1PCS
	AIK780KC8	KEY BOARD FOR HP	M	1PCS
C101	65L0603121 31	CHIP 120PF 50V NPO	P	1PCS
C102	65L0603121 31	CHIP 120PF 50V NPO	P	1PCS
C103	65L0603121 31	CHIP 120PF 50V NPO	P	1PCS
C104	65L0603121 31	CHIP 120PF 50V NPO	P	1PCS
C106	65L0603121 31	CHIP 120PF 50V NPO	P	1PCS
C107	65L0603121 31	CHIP 120PF 50V NPO	P	1PCS
FB101	71L 59B121	TB160808B12 SMD	P	1PCS
FB102	71L 59B121	TB160808B12 SMD	P	1PCS
	715L1248 C	PCB	P	1PCS
J101	95L 90 23	TIN COATED	P	1PCS
J102	95L 90 23	TIN COATED	P	0PCS
J103	95L 90 23	TIN COATED	P	0PCS
J104	95L 90 23	TIN COATED	P	0PCS
J105	95L 90 23	TIN COATED	P	0PCS
J106	95L 90 23	TIN COATED	P	0PCS
J107	95L 90 23	TIN COATED	P	0PCS
J108	95L 90 23	TIN COATED	P	0PCS
R101	61L 60247152T	470OHM +-5% 1/6W	P	1PCS
R102	61L 60247152T	470OHM +-5% 1/6W	P	1PCS
ZD101	93L 3973B52T	HZ6B2	P	1PCS
ZD102	93L 3973B52T	HZ6B2	P	1PCS
ZD103	93L 3973B52T	HZ6B2	P	1PCS
ZD104	93L 3973B52T	HZ6B2	P	1PCS
ZD105	93L 3973B52T	HZ6B2	P	1PCS
ZD106	93L 3973B52T	HZ6B2	P	1PCS
	PW1742QDH2SMT	POWER BOARD FOR SMT	M	1PCS
	PWPC1742QDH2AI	POWER BOARD FOR AI	M	1PCS
	13L 13 3	CANOE CLIP	P	3PCS
CN102	33L800912Y	11 PIN CONNECTOR	P	1PCS
CN201	33L8021 2D U	CONN.2P DIP R/A LM401-0	P	1PCS
CN202	33L8021 2D U	CONN.2P DIP R/A LM401-0	P	1PCS
CN204	33L8021 2D U	CONN.2P DIP R/A LM401-0	P	1PCS
CN205	33L8021 2D U	CONN.2P DIP R/A LM401-0	P	1PCS
CN201	33L8021 2D AC	CONN.2P R/A 87210-0236	P	0PCS
CN202	33L8021 2D AC	CONN.2P R/A 87210-0236	P	0PCS
CN204	33L8021 2D AC	CONN.2P R/A 87210-0236	P	0PCS
CN205	33L8021 2D AC	CONN.2P R/A 87210-0236	P	0PCS

CN902	33L8029 5A H	3 PIN CONNECTOR	P	1PCS
	40L 45762420A	ID LABEL	P	1.03PCS
	51L 6 4500	RTV 胶	P	0G
	51L 6 4502	RTV 胶	P	2G
	51L 6 4503	RTV 胶	P	0G
	52L6025 11669	MYLAR	P	1PCS
IC902	56L 139 3	PC123FY2 BY SHARP	P	0PCS
IC902	56L 139 3A	PC123Y22	P	1PCS
IC902	56L 139 3B	PC123 Y82	P	0PCS
NR901	61L 58050 WT	NTC 5 OHM 5A	P	1PCS
R903	61L152M10458F	100K OHM 5% 2W	P	1PCS
R917	61L152M398 64	0.39 OHM 2W	P	1PCS
R208	61L212Y625 KT	6.2M 3KV KAMAYA	P	1PCS
C911	63L107K224 US	X2 0.22UF 275VAC MPX	P	1PCS
C903	63L107K334 U	MPX 0.33UF,275VAC,+/-10%	P	1PCS
C204	65L 3J1006ET	TDK,10PF,+/-5%,3KV	P	1PCS
C205	65L 3J1006ET	TDK,10PF,+/-5%,3KV	P	1PCS
C208	65L 3J1006ET	TDK,10PF,+/-5%,3KV	P	1PCS
C209	65L 3J1006ET	TDK,10PF,+/-5%,3KV	P	1PCS
C236	65L 3J1006ET	TDK,10PF,+/-5%,3KV	P	1PCS
C237	65L 3J1006ET	TDK,10PF,+/-5%,3KV	P	1PCS
C238	65L 3J1006ET	TDK,10PF,+/-5%,3KV	P	1PCS
C239	65L 3J1006ET	TDK,10PF,+/-5%,3KV	P	1PCS
C901	65L305M2222B2	2200PF 400VAC/250VAC	P	1PCS
C902	65L305M2222B2	2200PF 400VAC/250VAC	P	1PCS
C912	65L305M2222B2	2200PF 400VAC/250VAC	P	1PCS
C922	67L 215102 3H	1000UF +/-20% 16V	P	1PCS
C923	67L 215102 3H	1000UF +/-20% 16V	P	1PCS
C922	67L 215102 3K	1000UF +/-20% 16V	P	0PCS
C923	67L 215102 3K	1000UF +/-20% 16V	P	0PCS
C904	67L305S12114K	E.C 105 CAP	P	1PCS
FB901	71L 55 29	FERRITE BEAD	P	1PCS
L901	73L 174 26 T1	LINE LILTER 0.45mm	P	1PCS
L903	73L 253 91 L	CHOKE BY LI TA	P	0PCS
L904	73L 253 91 L	CHOKE BY LI TA	P	0PCS
L903	73L 253 91 LS	CHOKE BY LI SHIN	P	1PCS
L904	73L 253 91 LS	CHOKE BY LI SHIN	P	1PCS
T901	80LL17T 2 L	ADAPTOR BY LITAI	P	0PCS
T901	80LL17T 2 T	X'FMR	P	1PCS
T901	80LL17T 2 LS	ADAPTOR BY LISHIN	P	0PCS

PT201	80LL17T 16 LC	XFMR	P	1PCS
PT202	80LL17T 16 LC	XFMR	P	1PCS
DB901	93L 50460 8	BRIDGE 2KBP06M2A600V	P	1PCS
D901	93L 6026T52T	RECTIFIER DIODE FR107	P	1PCS
D901	93L 6026W52T	FR107	P	0PCS
D902	93L 6038P52T	PS102R	P	1PCS
	705L 780 57 39	F901 ASS'Y	X	1PCS
	705L 780 57 47	Q903 ASS'Y	X	1PCS
	705L 780 61 04	R224 ASS'Y	X	1PCS
	705L 780 93 09	D910/D911	X	1PCS
IC901	56L 379 33	SG6841S	P	1PCS
IC201	56L 608 6	IC	P	1PCS
Q206	57L 417 4	PMBS3904/PHILIPS-SMT(04	P	1PCS
Q204	57L 600 40	MOSFET	P	1PCS
Q208	57L 600 40	MOSFET	P	1PCS
Q209	57L 600 40	MOSFET	P	1PCS
Q210	57L 600 40	MOSFET	P	1PCS
Q211	57L 758 1	2N7002E SOT23	P	1PCS
Q212	57L 758 1	2N7002E SOT23	P	1PCS
Q213	57L 758 1	2N7002E SOT23	P	1PCS
Q214	57L 758 1	2N7002E SOT23	P	1PCS
Q215	57L 758 1	2N7002E SOT23	P	1PCS
Q205	57L 760 4	DTA144WKA BY ROHM SMT(7	P	1PCS
Q207	57L 760 5	DTC144WKA BY ROHM SMT(8	P	1PCS
R927	61L0805000	CHIP O OHM 1/8W	P	1PCS
R912	61L0805101	CHIPR 100 OHM +-5% 1/8W	P	1PCS
R201	61L0805102	CHIPR 1K OHM +-5% 1/8W	P	1PCS
R205	61L0805102	CHIPR 1K OHM +-5% 1/8W	P	1PCS
R206	61L0805102	CHIPR 1K OHM +-5% 1/8W	P	1PCS
R218	61L0805102	CHIPR 1K OHM +-5% 1/8W	P	1PCS
R239	61L0805102	CHIPR 1K OHM +-5% 1/8W	P	1PCS
R925	61L0805102	CHIPR 1K OHM +-5% 1/8W	P	1PCS
R926	61L0805102	CHIPR 1K OHM +-5% 1/8W	P	1PCS
R928	61L0805102	CHIPR 1K OHM +-5% 1/8W	P	1PCS
R203	61L0805103	CHIPR 10K OHM +-5% 1/8W	P	1PCS
R204	61L0805103	CHIPR 10K OHM +-5% 1/8W	P	1PCS
R207	61L0805103	CHIPR 10K OHM +-5% 1/8W	P	1PCS
R913	61L0805103	CHIPR 10K OHM +-5% 1/8W	P	1PCS
R916	61L0805103	CHIPR 10K OHM +-5% 1/8W	P	1PCS
R216	61L0805105	CHIP 1M OHM 5% 1/8W	P	1PCS

R223	61L0805105	CHIP 1M OHM 5% 1/8W	P	1PCS
R231	61L0805105	CHIP 1M OHM 5% 1/8W	P	1PCS
R238	61L0805105	CHIP 1M OHM 5% 1/8W	P	1PCS
R241	61L0805105	CHIP 1M OHM 5% 1/8W	P	1PCS
R243	61L0805105	CHIP 1M OHM 5% 1/8W	P	1PCS
R225	61L0805205	CHIP 2M OHM 5% 1/8W	P	1PCS
R220	61L0805220	CHIP 22 OHM 5% 0805 1/8	P	1PCS
R915	61L0805220	CHIP 22 OHM 5% 0805 1/8	P	1PCS
R932	61L0805221	CHIPR 220 OHM +-5% 1/8W	P	1PCS
R924	61L0805242	CHIP 2.4KOHM 1% 1/8W	P	1PCS
R914	61L0805243	SMD 24KOHM/0805/+5% 1/	P	1PCS
R210	61L0805361	CHIPR 360OHM +-5% 1/8W	P	1PCS
R215	61L0805361	CHIPR 360OHM +-5% 1/8W	P	1PCS
R227	61L0805361	CHIPR 360OHM +-5% 1/8W	P	1PCS
R234	61L0805361	CHIPR 360OHM +-5% 1/8W	P	1PCS
R910	61L0805472	CHIPR 4.7K OHM +-5% 1/8	P	1PCS
R911	61L0805472	CHIPR 4.7K OHM +-5% 1/8	P	1PCS
R222	61L0805513	CHIP 51KOHM 1/8W	P	1PCS
R226	61L0805514	510KOHM 1/8W	P	1PCS
R236	61L0805514	510KOHM 1/8W	P	1PCS
R237	61L0805564	CHIP 560KOHM 1/8W	P	1PCS
R212	61L0805682	CHIP 6.8KOHM 5% 0805 1/	P	1PCS
R228	61L0805682	CHIP 6.8KOHM 5% 0805 1/	P	1PCS
R217	61L0805683	CHIPR 68K OHM+-5% 1/8W	P	1PCS
R219	61L0805912	CHIP 9.1KOHM 5% 0805 1/	P	1PCS
R929	61L1206101	CHIP 100 OHM 5% 1/4W	P	1PCS
R906	61L1206105	CHIP 1MOHM 5% 1/4W	P	1PCS
R907	61L1206105	CHIP 1MOHM 5% 1/4W	P	1PCS
R202	61L1206150	CHIP 15 OHM 5% 1206 1/4	P	1PCS
R900	61L1206394	CHIPR 390KOHM+-5% 1/4W	P	1PCS
R901	61L1206394	CHIPR 390KOHM+-5% 1/4W	P	1PCS
R902	61L1206394	CHIPR 390KOHM+-5% 1/4W	P	1PCS
R244	61L1206471	CHIPR 470 OHM+-5% 1/4W	P	1PCS
R909	61L1206472	CHIP 4.7KOHM 5% 1/4W	P	1PCS
R908	61L1206519	CHIPR 510OHM +-5% 1/4W	P	1PCS
C232	65L0603152 32	1500PF +-10% 50V X7R 06	P	1PCS
C910	65L0805102 32	CHIP 1000P 50VX7R 0805	P	1PCS
C211	65L0805104 22	0.1UF +-10% 25V X7R 080	P	1PCS
C202	65L0805104 32	CHIP 0.1UF 50V X7R	P	1PCS
C210	65L0805104 32	CHIP 0.1UF 50V X7R	P	1PCS

C212	65L0805104 32	CHIP 0.1UF 50V X7R	P	1PCS
C217	65L0805104 32	CHIP 0.1UF 50V X7R	P	1PCS
C226	65L0805104 32	CHIP 0.1UF 50V X7R	P	1PCS
C227	65L0805104 32	CHIP 0.1UF 50V X7R	P	1PCS
C229	65L0805104 32	CHIP 0.1UF 50V X7R	P	1PCS
C235	65L0805104 32	CHIP 0.1UF 50V X7R	P	1PCS
C240	65L0805104 32	CHIP 0.1UF 50V X7R	P	1PCS
C243	65L0805104 32	CHIP 0.1UF 50V X7R	P	1PCS
C245	65L0805104 32	CHIP 0.1UF 50V X7R	P	1PCS
C246	65L0805104 32	CHIP 0.1UF 50V X7R	P	1PCS
C247	65L0805104 32	CHIP 0.1UF 50V X7R	P	1PCS
C907	65L0805104 32	CHIP 0.1UF 50V X7R	P	1PCS
C909	65L0805104 32	CHIP 0.1UF 50V X7R	P	1PCS
C926	65L0805104 32	CHIP 0.1UF 50V X7R	P	1PCS
C927	65L0805104 32	CHIP 0.1UF 50V X7R	P	1PCS
C929	65L0805104 32	CHIP 0.1UF 50V X7R	P	1PCS
C213	65L0805105 22	CHIP 1UF 25V X7R 0805	P	1PCS
C219	65L0805105 22	CHIP 1UF 25V X7R 0805	P	1PCS
C222	65L0805105 22	CHIP 1UF 25V X7R 0805	P	1PCS
C244	65L0805205 31	2UF/16V/NPO	P	1PCS
C220	65L0805221 32	CHIP 220PF 50V X7R 0805	P	1PCS
C930	65L0805471 21	CHIP 470PF 25V NPO	P	1PCS
C228	65L0805472 32	4700PF/50V/0805/X7R	P	1PCS
C214	65L0805473 32	CHIP 0.047UF 50V X7R	P	1PCS
C230	65L0805473 32	CHIP 0.047UF 50V X7R	P	1PCS
C221	65L0805474 22	CHIP 0.47UF 25V X7R 080	P	1PCS
C216	65L0805682 32	CHIP 6.8UF 50V X7R 0805	P	1PCS
C224	65L0805682 32	CHIP 6.8UF 50V X7R 0805	P	1PCS
C242	65L0805682 32	CHIP 6.8UF 50V X7R 0805	P	1PCS
C203	65L1206225 22	2.2UF 25V X7R 1206	P	1PCS
C206	65L1206225 22	2.2UF 25V X7R 1206	P	1PCS
C207	65L1206225 22	2.2UF 25V X7R 1206	P	1PCS
C231	65L1206225 22	2.2UF 25V X7R 1206	P	1PCS
C233	65L1206225 22	2.2UF 25V X7R 1206	P	1PCS
C234	65L1206225 22	2.2UF 25V X7R 1206	P	1PCS
D208	93L 6432V	LL4148-GS08	P	1PCS
D211	93L 6432V	LL4148-GS08	P	1PCS
D212	93L 6432V	LL4148-GS08	P	1PCS
D213	93L 6432V	LL4148-GS08	P	1PCS
D214	93L 6432V	LL4148-GS08	P	1PCS

D903	93L 6432V	LL4148-GS08	P	1PCS
R931	93L 6432V	LL4148-GS08	P	1PCS
D201	93L 6433G	BAV99-SMT	P	0PCS
D202	93L 6433G	BAV99-SMT	P	0PCS
D203	93L 6433G	BAV99-SMT	P	0PCS
D204	93L 6433G	BAV99-SMT	P	0PCS
D206	93L 6433G	BAV99-SMT	P	0PCS
D207	93L 6433G	BAV99-SMT	P	0PCS
D209	93L 6433G	BAV99-SMT	P	0PCS
D210	93L 6433G	BAV99-SMT	P	0PCS
D201	93L 6433P	BAV99	P	1PCS
D202	93L 6433P	BAV99	P	1PCS
D203	93L 6433P	BAV99	P	1PCS
D204	93L 6433P	BAV99	P	1PCS
D206	93L 6433P	BAV99	P	1PCS
D207	93L 6433P	BAV99	P	1PCS
D209	93L 6433P	BAV99	P	1PCS
D210	93L 6433P	BAV99	P	1PCS
ZD904	93L 39S 16 T	SML4737A/1	P	0PCS
ZD904	93L 39S 19 T	PTZ7.5B	P	1PCS
ZD901	93L 39S 20 T	RLZ22B BY ROHM	P	1PCS
ZD901	93L 39S 23 T	PLZ22B	P	0PCS
ZD201	93L 39S 24 T	RLZTE-115.6B ROHM	P	1PCS
ZD202	93L 39S 24 T	RLZTE-115.6B ROHM	P	1PCS
ZD203	93L 39S 24 T	RLZTE-115.6B ROHM	P	1PCS
CN901	6L 31500	EYELET	P	3PCS
C904	6L 31502	1.5MM RIVET	P	2PCS
L901	6L 31502	1.5MM RIVET	P	4PCS
PT201	6L 31502	1.5MM RIVET	P	2PCS
PT202	6L 31502	1.5MM RIVET	P	2PCS
T901	6L 31502	1.5MM RIVET	P	4PCS
	715L1236 DQDI	POWER BOARD	P	1PCS
J901	95L 90 23	TIN COATED	P	0PCS
J903	95L 90 23	TIN COATED	P	0PCS
J904	95L 90 23	TIN COATED	P	0PCS
J905	95L 90 23	TIN COATED	P	0PCS
J906	95L 90 23	TIN COATED	P	0PCS
J907	95L 90 23	TIN COATED	P	0PCS
J908	95L 90 23	TIN COATED	P	0PCS
J909	95L 90 23	TIN COATED	P	0PCS



J910	95L 90 23	TIN COATED	P	0PCS
J913	95L 90 23	TIN COATED	P	0PCS
J914	95L 90 23	TIN COATED	P	0PCS
J916	95L 90 23	TIN COATED	P	0PCS
J917	95L 90 23	TIN COATED	P	0PCS
J918	95L 90 23	TIN COATED	P	0PCS
J919	95L 90 23	TIN COATED	P	0PCS
J921	95L 90 23	TIN COATED	P	0PCS
J925	95L 90 23	TIN COATED	P	0PCS
J928	95L 90 23	TIN COATED	P	0PCS
J929	95L 90 23	TIN COATED	P	0PCS
J930	95L 90 23	TIN COATED	P	0PCS
J933	95L 90 23	TIN COATED	P	0PCS
J934	95L 90 23	TIN COATED	P	0PCS
J935	95L 90 23	TIN COATED	P	0PCS
J936	95L 90 23	TIN COATED	P	0PCS
J937	95L 90 23	TIN COATED	P	0PCS
J938	95L 90 23	TIN COATED	P	0PCS
J939	95L 90 23	TIN COATED	P	0PCS
J940	95L 90 23	TIN COATED	P	0PCS
J941	95L 90 23	TIN COATED	P	0PCS
J942	95L 90 23	TIN COATED	P	0PCS
J943	95L 90 23	TIN COATED	P	0PCS
J944	95L 90 23	TIN COATED	P	0PCS
J945	95L 90 23	TIN COATED	P	0PCS
R922	61L 21033352T	33K 1/6W 1%	P	1PCS
R923	61L 21036252T	3.6K 1/6W 1%	P	1PCS
R292	61L 60222052T	CFR 22 OHM+-5% 1/6W	P	1PCS
R221	61L 60233352T	33KOHM 1% 1/6W	P	1PCS
R920	61L175L47052T	47OHM +-5% 1/2W	P	1PCS
R921	61L175L47052T	47OHM +-5% 1/2W	P	1PCS
ZD902	93L 39 7152T	HZ15-1	P	1PCS
ZD903	93L 3951352T	HZ6C2	P	1PCS
IC903	56L 158 10 T	AZ431AZ-A AAC	P	1PCS
Q902	57L 419 PP T	2PC945P	P	1PCS
Q901	57L 420 PP T	2PA733P	P	1PCS
C905	65L 1K222 2T	0.0022UF 1KV +-10%	P	1PCS
C920	65L517K102 5T	1000PF 10% Y5P 500V	P	1PCS
C921	65L517K102 5T	1000PF 10% Y5P 500V	P	1PCS
C931	67L 2154797KT	4.7UF/50V/105 摄氏促	P	1PCS

C924	67L215B4713HT	470UF 16V LTR471M1CF11V	P	1PCS
C925	67L215B4713HT	470UF 16V LTR471M1CF11V	P	1PCS
C201	67L215C4713KT	470UF/16V	P	1PCS
C225	67L215C4713KT	470UF/16V	P	1PCS
C906	67L215L1007KT	10UF 50V	P	1PCS
F901	84L 7H200 NL	FUSE 2Z 250V HL-50T 2A	P	1PCS
F901	96L 29 6	SHRINK TUBE UL/CSA	P	1PCS
	51L 200 1	散热油	P	2G
Q903	57L 724 4	2SK2996	P	0PCS
Q903	57L 724 4A	STP9NK60ZFP	P	1PCS
	90L6064 1	HEAT SINK	P	1PCS
	M1L1730 8128	SCREW M3x8	P	1PCS
R224	61L212Y625 KT	6.2M 3KV KAMAYA	P	1PCS
	96L 29 6	SHRINK TUBE UL/CSA	P	30MM
	51L 200 1	散热油	P	2G
	90L6064 1	HEAT SINK	P	1PCS
D911	93L 60237	SRF20100C	P	1PCS
D910	93L 60245	SP10150	P	1PCS
	M1L1730 8128	SCREW M3x8	P	2PCS
	12L 394 4	RUBBER FOOT	P	6PCS
	12L6031 1	RUBBER WASHER	P	2PCS
	12L6031 2	RUBBER WASHER	P	1PCS
	12L6031 3	RUBBER WASHER	P	1PCS
	15L8007 1	BASE BRACKET	P	1PCS
	33L4595 A5 L	POWER COVER	P	1PCS
	33L4596 A7 L	POWER KNOB	P	1PCS
	33L4597 A5 L	OSD BUTTON	P	1PCS
	33L4598 1	POWER LENS	P	1PCS
	34L1314 A6 L	BASE	P	1PCS
	34L1315BA5 L	BEZEL	P	1PCS
	37L6014 GB A	HINGE	P	1PCS
	78L 329 1 L	SPEAKER 40HM/2W	P	1PCS
	78L 329 1 R	SPEAKER 40HM/2W	P	1PCS
	Q1L 130 6120	SCREW (T3X6)	P	8PCS
	Q1L1030 8128	SCREW	P	4PCS
	CNPC560CP	CNPC ASS'Y	M	1PCS
	15L8010 1	AC SUPPORT BRACKET	P	1PCS
	52L6025 11552	MYLAR	P	1PCS
	87L 501 13 CJ	AC SOCKET ASS'Y	X	0PCS
	87L 501 13 RF	AC SOCKET	P	1PCS

	89L1735GAA 13	SIGNAL CABLE	P	1PCS
	95L205S354022	HARNESS	P	1PCS
	95L8021 2505	WIRE HARNESS	P	1PCS
	96L 29 6	SHRINK TUBE UL/CSA	P	60MM
	51L 6 4500	RTV 胶	P	0G
	51L 6 4502	RTV 胶	P	0G
	51L 6 4503	RTV 胶	P	1G
J1	88L 30213S	PHONE JACK 3P GREEN	P	1PCS
JP1	95L8014 3 8	HARNESS	P	1PCS
	715L1065 1 B	PCB	P	1PCS

## 12.3 LG Panel Model (T780KGXHKHHPA)

插件位置	元件料号编号	品名规格	来源	组成 用量
	AUPC780HP	AUDIO BOARD FOR T780*HP	1	PCS
	CBPC780KGXHPA	CONVERSION BOARD	1	PCS
	KEPC780KC8	KEY BOARD	1	PCS
	PWPC1742LGH2	POWER BOARD	1	PCS
	15L5689 3 A	GROUND CLAMP	1	PCS
	15L8006 10	MAIN FRAME	1	PCS
	34L1316 EY 2B	REAR COVER	1	PCS
	40L 152509	RECYCLE LABEL	0	PCS
	40L 152512	RECYCLE LABEL	0	PCS
	40L 190690 1	ID LABEL	1	PCS
	40L 581 26704	唛头纸 FOR CARTON/PALLET	0.01	PCS
	44L3231 15	EVA WASHER	1	PCS
	44L3731 1	EPS	1	PCS
	44L3731 2	EPS	1	PCS
	44L3731624 1A	CARTON	1	PCS
	45L 76 28 H	PE BAG FOR MANUAL	1	PCS
	45L 77 3	打包膜	398	CM
	45L 77500	BARCODE RIBBON	19	CM
	45L 88609 2	EPE COVER	1	PCS
	45L 88626 H	PE BAG FOR MONITOR	1	PCS
	52L 1186	SMALL TAPE	8	CM
	52L 1211 A	ALUMINIUM TAPE	2	PCS
	52L6020 1	PROTECT FILM	1	PCS
	52L6022 3	SMALL TAPE	15	CM
	52L6025 11657	INSULATE SHEET	1	PCS
	85L 667 1	SHIELD	1	PCS
	89L 173 56 18	AUDIO CABLE 1500mm BLAC	1	PCS
	89L1735GAA 13	SIGNAL CABLE	1	PCS
	89L404A18N IS	POWER CORD 插墙	1	PCS
	95L8014 18 1	KEY BOARD HARNESS	1	PCS
	95L8018 30 42	HARNESS	1	PCS
	M1L 330 4128	SCREW M3X4	3	PCS
	M1L 330 5128	SCR 3X0.5 5MM STEEL	4	PCS
	M1L 330 6128	SCREW	1	PCS
	M1L1140 6128	SCREW 4X6	1	PCS
	M1L1730 6128	SCREW M3x6	11	PCS

	Q1L 340 10 47	SCREW 4X10mm	7	PCS
	Q1L1030 8128	SCREW	3	PCS
	705L780KP34 H2	支架组件	1	PCS
	750LLG70E01	LPL 17" PANEL (A5)	1	PCS
	AM1L1740 12 47	SCREW	2	PCS
	705L780KP87 HP	AC INPUT ASS'Y	1	PCS
-----	-----	-----	-----	----
PARENT	NO :AUPC780HP	AUDIO BOARD FOR T780*H		
-----	-----	-----	-----	----
	AUPC780HPSMT	AUDIO BOARD	1	PCS
CN702	33L3802 3H	WAFER 3P RIGHT ANGLE	1	PCS
CN701	33L802414C H	2*7PIN DUAL ROW RIGHT A	1	PCS
	51L 200 1	散热油	2	G
U701	56L 616 10	TDA1517 SOT110-1	1	PCS
C704	67L 215102 3H	1000UF +-20% 16V	1	PCS
C713	67L 215102 3H	1000UF +-20% 16V	1	PCS
C714	67L 215102 3H	1000UF +-20% 16V	1	PCS
C709	67L 309101 3T	100uF 16V	1	PCS
C718	67L 309101 3T	100uF 16V	1	PCS
C701	67L 309479 3T	4.7UF +-20% 16V	1	PCS
C702	67L 309479 3T	4.7UF +-20% 16V	1	PCS
L701	73L 253139LSL	CHOKE COIL	1	PCS
U701	90L 419 1	HEAT SINK	1	PCS
U701	90L 420 1	HEAT SINK	1	PCS
	M1L1730 7128	SCREW	1	PCS
-----	-----	-----	-----	----
PARENT	NO : AUPC780HPSMT	AUDIO BOARD		
-----	-----	-----	-----	----
Q701	57L 417 4	PMBS3904/PHILIPS-SMT(04	1	PCS
R708	61L0603101	CHIPR 100 OHM +-5% 1/10	1	PCS
R712	61L0603102	CHIPR 1K OHM +-5% 1/10W	1	PCS
R716	61L0603102	CHIPR 1K OHM +-5% 1/10W	1	PCS
R709	61L0603103	CHIPR 10K OHM +-5% 1/10	1	PCS
R706	61L0603104	CHIPR 100K OHM +-5% 1/1	1	PCS
L703	61L0603153	CHIPR 15KOHM+-5% 1/10W	1	PCS
L704	61L0603153	CHIPR 15KOHM+-5% 1/10W	1	PCS
R719	61L0603182	CHIPR 1.8KOHM	1	PCS
R705	61L0603204	CHIPR 200KOHM +-5% 1/10	1	PCS
R713	61L0603223	CHIPR 22K OHM +-5% 1/10	1	PCS
R701	61L0603333	CHIP 33K OHM 1/10W	1	PCS

R702	61L0603333	CHIP 33K OHM 1/10W	1	PCS
R707	61L0603472	CHIPR 4.7K OHM +-5% 1/1	1	PCS
R703	61L0603473	CHIP 47K OHM 1/10W	1	PCS
R704	61L0603473	CHIP 47K OHM 1/10W	1	PCS
R715	61L0603473	CHIP 47K OHM 1/10W	1	PCS
C706	65L0603104 12	0.1UF +-10% 16V X7R	1	PCS
C710	65L0603104 12	0.1UF +-10% 16V X7R	1	PCS
C711	65L0603104 12	0.1UF +-10% 16V X7R	1	PCS
C712	65L0603104 12	0.1UF +-10% 16V X7R	1	PCS
C715	65L0603104 12	0.1UF +-10% 16V X7R	1	PCS
C151	65L0603104 32	CHIP 0.1UF 50V X7R	1	PCS
C716	65L0603121 31	CHIP 120PF 50V NPO	1	PCS
C717	65L0603121 31	CHIP 120PF 50V NPO	1	PCS
C703	65L0603560 31	CHIP 56PF 50V NPO	1	PCS
C705	65L0603560 31	CHIP 56PF 50V NPO	1	PCS
C707	65L0603562 32	CHIP 5600PF 50V X7R	1	PCS
C708	65L0603562 32	CHIP 5600PF 50V X7R	1	PCS
FB701	71L 59B121	TB160808B121 SMD	1	PCS
FB702	71L 59B121	TB160808B121 SMD	1	PCS
D701	93L 6432V	LL4148-GS08	1	PCS
D702	93L 6432V	LL4148-GS08	1	PCS
	715L1249 E 2	PCB	1	PCS
-----	-----	-----	-----	----
PARENT	NO :CBPC780KGXHPA	CONVERSION BOARD		
-----	-----	-----	-----	----
	AIC780KKXHPA	MAIN BOARD	1	PCS
CN601	33L801714A H	PIN HEADER 2*7 R/A	1	PCS
CN201	33L8027 12	WAFER 2*6P 2.0MM R/A	1	PCS
CN303	33L8027 14 H	WAFER 14P 2.0MM DIP DUA	1	PCS
CN602	33L8027 16	WAFER 16PIN 2.0mm DIP	1	PCS
CN503	33L802724D H	24PIN	1	PCS
	40L 457624 1B	CPU LABEL	1	PCS
	40L 45762412A	CBPC LABEL	1	PCS
U601	56L1125543GP1	MTV512MV	1	PCS
C215	67L215B1014HV	EC 100UF 25V LTR101M1EE	1	PCS
C202	67L215B2214HV	LOW ESR 220UF 25V 8*11	1	PCS
C204	67L215B2214HV	LOW ESR 220UF 25V 8*11	1	PCS
C211	67L215B4704KV	47uF/25V	1	PCS
C208	67L309V100 4	10UF +-20% 25V	1	PCS
C402	67L309V100 4	10UF +-20% 25V	1	PCS

C411	67L309V100 4	10UF +-20% 25V	1	PCS
C416	67L309V100 4	10UF +-20% 25V	1	PCS
C419	67L309V100 4	10UF +-20% 25V	1	PCS
C422	67L309V100 4	10UF +-20% 25V	1	PCS
C428	67L309V100 4	10UF +-20% 25V	1	PCS
C206	67L309V109 7	1UF +-20% 50V	1	PCS
X601	93L 22 51	CRYSTAL 12MHz HC-49US A	1	PCS
X401	93L 22 53	CRYSTAL 14.318MHzHC-49U	1	PCS
-----	-----	-----	-----	----
PARENT	NO : AIC780KKXHPA	MAIN BOARD		
-----	-----	-----	-----	----
U401	56L 562 53	MST9111B PQFP-128	1	PCS
U202	56L 563 7	AIC1084-33CM	1	PCS
U201	56L 585 7	RT9164-25CL	1	PCS
U203	56L 643 5A	MAX810STR SOT-23	1	PCS
U301	56L1133 20	AT24C02N-10SC	1	PCS
U602	56L1133 24	AT24C16N-10SC-2.7	1	PCS
U301	56L1133 34	M24C02-WMN6T SMT	0	PCS
U602	56L1133 56	M24C16-WMN6T/W SO-8	0	PCS
Q201	57L 417 4	PMBS3904/PHILIPS-SMT(04	1	PCS
Q202	57L 417 4	PMBS3904/PHILIPS-SMT(04	1	PCS
Q204	57L 417 4	PMBS3904/PHILIPS-SMT(04	1	PCS
Q601	57L 417 6	PMBS3906/PHILIPS-SMT(06	1	PCS
Q602	57L 417 6	PMBS3906/PHILIPS-SMT(06	1	PCS
Q203	57L 763 1	A03401 SOT23 BY AOS(A1)	1	PCS
RN601	61L 125103 8	CHIP AR 8P4R 10KOHM +-5	1	PCS
RN602	61L 125103 8	CHIP AR 8P4R 10KOHM +-5	1	PCS
RN603	61L 125103 8	CHIP AR 8P4R 10KOHM +-5	1	PCS
RN604	61L 125103 8	CHIP AR 8P4R 10KOHM +-5	1	PCS
R201	61L0603000	CHIPR 0OHM +-5% 1/10W	1	PCS
R209	61L0603000	CHIPR 0OHM +-5% 1/10W	1	PCS
R351	61L0603000	CHIPR 0OHM +-5% 1/10W	1	PCS
R355	61L0603000	CHIPR 0OHM +-5% 1/10W	1	PCS
R357	61L0603000	CHIPR 0OHM +-5% 1/10W	1	PCS
R358	61L0603000	CHIPR 0OHM +-5% 1/10W	1	PCS
R359	61L0603000	CHIPR 0OHM +-5% 1/10W	1	PCS
R502	61L0603000	CHIPR 0OHM +-5% 1/10W	1	PCS
R638	61L0603000	CHIPR 0OHM +-5% 1/10W	1	PCS
R308	61L0603101	CHIPR 100 OHM +-5% 1/10	1	PCS
R309	61L0603101	CHIPR 100 OHM +-5% 1/10	1	PCS

R310	61L0603101	CHIPR 100 OHM +-5% 1/10	1	PCS
R312	61L0603101	CHIPR 100 OHM +-5% 1/10	1	PCS
R314	61L0603101	CHIPR 100 OHM +-5% 1/10	1	PCS
R608	61L0603101	CHIPR 100 OHM +-5% 1/10	1	PCS
R609	61L0603101	CHIPR 100 OHM +-5% 1/10	1	PCS
R636	61L0603101	CHIPR 100 OHM +-5% 1/10	1	PCS
R203	61L0603102	CHIPR 1K OHM +-5% 1/10W	1	PCS
R204	61L0603102	CHIPR 1K OHM +-5% 1/10W	1	PCS
R315	61L0603102	CHIPR 1K OHM +-5% 1/10W	1	PCS
R202	61L0603103	CHIPR 10K OHM +-5% 1/10	1	PCS
R206	61L0603103	CHIPR 10K OHM +-5% 1/10	1	PCS
R208	61L0603103	CHIPR 10K OHM +-5% 1/10	1	PCS
R211	61L0603103	CHIPR 10K OHM +-5% 1/10	1	PCS
R213	61L0603103	CHIPR 10K OHM +-5% 1/10	1	PCS
R311	61L0603103	CHIPR 10K OHM +-5% 1/10	1	PCS
R317	61L0603103	CHIPR 10K OHM +-5% 1/10	1	PCS
R318	61L0603103	CHIPR 10K OHM +-5% 1/10	1	PCS
R319	61L0603103	CHIPR 10K OHM +-5% 1/10	1	PCS
R601	61L0603103	CHIPR 10K OHM +-5% 1/10	1	PCS
R602	61L0603103	CHIPR 10K OHM +-5% 1/10	1	PCS
R604	61L0603103	CHIPR 10K OHM +-5% 1/10	1	PCS
R605	61L0603103	CHIPR 10K OHM +-5% 1/10	1	PCS
R606	61L0603103	CHIPR 10K OHM +-5% 1/10	1	PCS
R607	61L0603103	CHIPR 10K OHM +-5% 1/10	1	PCS
R613	61L0603103	CHIPR 10K OHM +-5% 1/10	1	PCS
R614	61L0603103	CHIPR 10K OHM +-5% 1/10	1	PCS
R627	61L0603103	CHIPR 10K OHM +-5% 1/10	1	PCS
R631	61L0603103	CHIPR 10K OHM +-5% 1/10	1	PCS
R642	61L0603103	CHIPR 10K OHM +-5% 1/10	1	PCS
R643	61L0603103	CHIPR 10K OHM +-5% 1/10	1	PCS
R639	61L0603104	CHIPR 100K OHM +-5% 1/1	1	PCS
FB304	61L0603151	CHIPR 150 OHM +-5% 1/10	1	PCS
R313	61L0603151	CHIPR 150 OHM +-5% 1/10	1	PCS
R501	61L0603202	CHIPR 2K OHM+-5% 1/10W	1	PCS
R610	61L0603221	CHIPR 220 OHM+-5% 1/10W	1	PCS
R611	61L0603221	CHIPR 220 OHM+-5% 1/10W	1	PCS
R316	61L0603222	CHIPR 2.2K OHM+-5% 1/10	1	PCS
R401	61L0603390 0F	CHIP 390 OHM 1/10W 1%	1	PCS
R320	61L0603470	CHIPR 47 OHM +-5% 1/10W	1	PCS
R321	61L0603470	CHIPR 47 OHM +-5% 1/10W	1	PCS



R305	61L0603471	CHIPR 470 OHM+-5% 1/10W	1	PCS
R617	61L0603471	CHIPR 470 OHM+-5% 1/10W	1	PCS
R618	61L0603471	CHIPR 470 OHM+-5% 1/10W	1	PCS
R205	61L0603472	CHIPR 4.7K OHM +-5% 1/1	1	PCS
R207	61L0603472	CHIPR 4.7K OHM +-5% 1/1	1	PCS
R212	61L0603472	CHIPR 4.7K OHM +-5% 1/1	1	PCS
R402	61L0603472	CHIPR 4.7K OHM +-5% 1/1	1	PCS
R403	61L0603472	CHIPR 4.7K OHM +-5% 1/1	1	PCS
R616	61L0603472	CHIPR 4.7K OHM +-5% 1/1	1	PCS
R619	61L0603472	CHIPR 4.7K OHM +-5% 1/1	1	PCS
R301	61L0603750	CHIPR 75 OHM+-5% 1/10W	1	PCS
R302	61L0603750	CHIPR 75 OHM+-5% 1/10W	1	PCS
R303	61L0603750	CHIPR 75 OHM+-5% 1/10W	1	PCS
R304	61L0603750	CHIPR 75 OHM+-5% 1/10W	1	PCS
R306	61L0603750	CHIPR 75 OHM+-5% 1/10W	1	PCS
R307	61L0603750	CHIPR 75 OHM+-5% 1/10W	1	PCS
C305	65L0603102 32	1000PF +-10% 50V X7R	1	PCS
C201	65L0603104 32	CHIP 0.1UF 50V X7R	1	PCS
C203	65L0603104 32	CHIP 0.1UF 50V X7R	1	PCS
C205	65L0603104 32	CHIP 0.1UF 50V X7R	1	PCS
C207	65L0603104 32	CHIP 0.1UF 50V X7R	1	PCS
C210	65L0603104 32	CHIP 0.1UF 50V X7R	1	PCS
C212	65L0603104 32	CHIP 0.1UF 50V X7R	1	PCS
C214	65L0603104 32	CHIP 0.1UF 50V X7R	1	PCS
C216	65L0603104 32	CHIP 0.1UF 50V X7R	1	PCS
C217	65L0603104 32	CHIP 0.1UF 50V X7R	1	PCS
C313	65L0603104 32	CHIP 0.1UF 50V X7R	1	PCS
C401	65L0603104 32	CHIP 0.1UF 50V X7R	1	PCS
C403	65L0603104 32	CHIP 0.1UF 50V X7R	1	PCS
C404	65L0603104 32	CHIP 0.1UF 50V X7R	1	PCS
C405	65L0603104 32	CHIP 0.1UF 50V X7R	1	PCS
C406	65L0603104 32	CHIP 0.1UF 50V X7R	1	PCS
C407	65L0603104 32	CHIP 0.1UF 50V X7R	1	PCS
C409	65L0603104 32	CHIP 0.1UF 50V X7R	1	PCS
C410	65L0603104 32	CHIP 0.1UF 50V X7R	1	PCS
C412	65L0603104 32	CHIP 0.1UF 50V X7R	1	PCS
C413	65L0603104 32	CHIP 0.1UF 50V X7R	1	PCS
C414	65L0603104 32	CHIP 0.1UF 50V X7R	1	PCS
C415	65L0603104 32	CHIP 0.1UF 50V X7R	1	PCS
C417	65L0603104 32	CHIP 0.1UF 50V X7R	1	PCS

C418	65L0603104 32	CHIP 0.1UF 50V X7R	1	PCS
C420	65L0603104 32	CHIP 0.1UF 50V X7R	1	PCS
C421	65L0603104 32	CHIP 0.1UF 50V X7R	1	PCS
C423	65L0603104 32	CHIP 0.1UF 50V X7R	1	PCS
C424	65L0603104 32	CHIP 0.1UF 50V X7R	1	PCS
C425	65L0603104 32	CHIP 0.1UF 50V X7R	1	PCS
C429	65L0603104 32	CHIP 0.1UF 50V X7R	1	PCS
C510	65L0603104 32	CHIP 0.1UF 50V X7R	1	PCS
C511	65L0603104 32	CHIP 0.1UF 50V X7R	1	PCS
C601	65L0603104 32	CHIP 0.1UF 50V X7R	1	PCS
C605	65L0603104 32	CHIP 0.1UF 50V X7R	1	PCS
C606	65L0603104 32	CHIP 0.1UF 50V X7R	1	PCS
C607	65L0603104 32	CHIP 0.1UF 50V X7R	1	PCS
C608	65L0603104 32	CHIP 0.1UF 50V X7R	1	PCS
C609	65L0603104 32	CHIP 0.1UF 50V X7R	1	PCS
C610	65L0603104 32	CHIP 0.1UF 50V X7R	1	PCS
C613	65L0603104 32	CHIP 0.1UF 50V X7R	1	PCS
C614	65L0603104 32	CHIP 0.1UF 50V X7R	1	PCS
C426	65L0603220 31	CHIP 22PF 50V NPO	1	PCS
C427	65L0603220 31	CHIP 22PF 50V NPO	1	PCS
C602	65L0603220 31	CHIP 22PF 50V NPO	1	PCS
C604	65L0603220 31	CHIP 22PF 50V NPO	1	PCS
C312	65L0603221 31	CAP:CER 220PF 5% 50V SM	1	PCS
C311	65L0603470 31	CHIP 47PF 50V NPO	1	PCS
C302	65L0603473 32	CHIP 0.047UF 50V X7R	1	PCS
C303	65L0603473 32	CHIP 0.047UF 50V X7R	1	PCS
C304	65L0603473 32	CHIP 0.047UF 50V X7R	1	PCS
C308	65L0603473 32	CHIP 0.047UF 50V X7R	1	PCS
C309	65L0603473 32	CHIP 0.047UF 50V X7R	1	PCS
C310	65L0603473 32	CHIP 0.047UF 50V X7R	1	PCS
FB202	71L 56Z601	CHIP BEAD 600 OHM 0805	1	PCS
FB401	71L 56Z601	CHIP BEAD 600 OHM 0805	1	PCS
FB402	71L 56Z601	CHIP BEAD 600 OHM 0805	1	PCS
FB403	71L 56Z601	CHIP BEAD 600 OHM 0805	1	PCS
FB404	71L 56Z601	CHIP BEAD 600 OHM 0805	1	PCS
FB405	71L 56Z601	CHIP BEAD 600 OHM 0805	1	PCS
FB406	71L 56Z601	CHIP BEAD 600 OHM 0805	1	PCS
FB601	71L 56Z601	CHIP BEAD 600 OHM 0805	1	PCS
FB602	71L 56Z601	CHIP BEAD 600 OHM 0805	1	PCS
R621	71L 59B601 EA	CHIP BEAD 600 OHM	1	PCS

R622	71L 59B601 EA	CHIP BEAD 600 OHM	1	PCS
R623	71L 59B601 EA	CHIP BEAD 600 OHM	1	PCS
R624	71L 59B601 EA	CHIP BEAD 600 OHM	1	PCS
R630	71L 59B601 EA	CHIP BEAD 600 OHM	1	PCS
FB301	71L 59C300	30 OHM BEAD	1	PCS
FB302	71L 59C300	30 OHM BEAD	1	PCS
FB303	71L 59C300	30 OHM BEAD	1	PCS
U601	87L 202 44	PLCC SMT CONN PD41C-441	1	PCS
D305	93L 39147	TZMC5V6-GS08	1	PCS
D306	93L 39147	TZMC5V6-GS08	1	PCS
D307	93L 39147	TZMC5V6-GS08	1	PCS
D308	93L 39147	TZMC5V6-GS08	1	PCS
D309	93L 39147	TZMC5V6-GS08	1	PCS
D327	93L 39147	TZMC5V6-GS08	1	PCS
D328	93L 39147	TZMC5V6-GS08	1	PCS
D329	93L 39147	TZMC5V6-GS08	1	PCS
D305	93L 39149	MLL5232B BY FULL POWER	0	PCS
D306	93L 39149	MLL5232B BY FULL POWER	0	PCS
D307	93L 39149	MLL5232B BY FULL POWER	0	PCS
D308	93L 39149	MLL5232B BY FULL POWER	0	PCS
D309	93L 39149	MLL5232B BY FULL POWER	0	PCS
D327	93L 39149	MLL5232B BY FULL POWER	0	PCS
D328	93L 39149	MLL5232B BY FULL POWER	0	PCS
D329	93L 39149	MLL5232B BY FULL POWER	0	PCS
D304	93L 64 42 P	BAV70 SOT-23	1	PCS
D203	93L 6433P	BAV99	1	PCS
D301	93L 6433P	BAV99	1	PCS
D302	93L 6433P	BAV99	1	PCS
D303	93L 6433P	BAV99	1	PCS
D205	93L 39S 30 T	MLL5228B	1	PCS
D206	93L 39S 30 T	MLL5228B	1	PCS
D204	93L 39S 31 T	7.5V ZENER/MLL5236B	1	PCS
D201	93L2004 2A	SM240A	0	PCS
D201	93L3004 1	SMAL340XXXRO 3A 40V SMA	1	PCS
D201	93L3004 2	SR34 PAN JIT	0	PCS
D202	93L3020 19	ES3D 3A	1	PCS
	715L1253 E	MAIN BOARD	1	PCS
-----	-----	-----	-----	----
PARENT	NO : KEPC780KC8	KEY BOARD		
-----	-----	-----	-----	----

	AIK780KC8SMT	KEY BOARD	1	PCS
CN3	33L3802 2H	WAFER 2P RIGHT ANGLE	1	PCS
CN4	33L3802 2H	WAFER 2P RIGHT ANGLE	1	PCS
CN401	33L8027 18	PIN HEADER 18P	1	PCS
VR1	75L 35850322A	VR50K BLACK	1	PCS
SW1	77L 600 1GCJ	TACT SWITCH TSPB-2	0	PCS
SW2	77L 600 1GCJ	TACT SWITCH TSPB-2	0	PCS
SW3	77L 600 1GCJ	TACT SWITCH TSPB-2	0	PCS
SW4	77L 600 1GCJ	TACT SWITCH TSPB-2	0	PCS
SW1	77L 600 1GHJ	KEY SWITCH	1	PCS
SW2	77L 600 1GHJ	KEY SWITCH	1	PCS
SW3	77L 600 1GHJ	KEY SWITCH	1	PCS
SW4	77L 600 1GHJ	KEY SWITCH	1	PCS
DP1	81L 12 1 GP	GP32032ME/50-ZY	1	PCS
CN5	88L 30211K	PHONE JACK	1	PCS
GND1	95L 900561	WIRE HARNESS	1	PCS
-----	-----	-----	-----	----
PARENT	NO : AIK780KC8SMT	KEY BOARD		
-----	-----	-----	-----	----
	AIK780KC8	KEY BOARD FOR HP	1	PCS
C101	65L0603121 31	CHIP 120PF 50V NPO	1	PCS
C102	65L0603121 31	CHIP 120PF 50V NPO	1	PCS
C103	65L0603121 31	CHIP 120PF 50V NPO	1	PCS
C104	65L0603121 31	CHIP 120PF 50V NPO	1	PCS
C106	65L0603121 31	CHIP 120PF 50V NPO	1	PCS
C107	65L0603121 31	CHIP 120PF 50V NPO	1	PCS
FB101	71L 59B121	TB160808B121 SMD	1	PCS
FB102	71L 59B121	TB160808B121 SMD	1	PCS
-----	-----	-----	-----	----
PARENT	NO : AIK780KC8	KEY BOARD FOR HP		
-----	-----	-----	-----	----
	715L1248 1	KEY BOARD	1	PCS
J101	95L 90 23	TIN COATED	1	PCS
J102	95L 90 23	TIN COATED	0	PCS
J103	95L 90 23	TIN COATED	0	PCS
J104	95L 90 23	TIN COATED	0	PCS
J105	95L 90 23	TIN COATED	0	PCS
J106	95L 90 23	TIN COATED	0	PCS
J107	95L 90 23	TIN COATED	0	PCS
J108	95L 90 23	TIN COATED	0	PCS

J109	95L 90 23	TIN COATED	0	PCS
R101	61L 60247152T	470OHM +-5% 1/6W	1	PCS
R102	61L 60247152T	470OHM +-5% 1/6W	1	PCS
ZD101	93L 3973B52T	HZ6B2	1	PCS
ZD102	93L 3973B52T	HZ6B2	1	PCS
ZD103	93L 3973B52T	HZ6B2	1	PCS
ZD104	93L 3973B52T	HZ6B2	1	PCS
ZD105	93L 3973B52T	HZ6B2	1	PCS
ZD106	93L 3973B52T	HZ6B2	1	PCS
-----	-----	-----	-----	----
PARENT	NO : PWPC1742LGH2	POWER BOARD		
-----	-----	-----	-----	----
	PW1742LGH2SMT	POWER BOARD	1	PCS
	13L 13 3	CANOE CLIP	3	PCS
CN201	33L8021 2D U	CONN.2P DIP R/A LM401-0	1	PCS
CN202	33L8021 2D U	CONN.2P DIP R/A LM401-0	1	PCS
CN204	33L8021 2D U	CONN.2P DIP R/A LM401-0	1	PCS
CN205	33L8021 2D U	CONN.2P DIP R/A LM401-0	1	PCS
CN201	33L8021 2D AC	CONN.2P R/A 87210-0236	0	PCS
CN202	33L8021 2D AC	CONN.2P R/A 87210-0236	0	PCS
CN204	33L8021 2D AC	CONN.2P R/A 87210-0236	0	PCS
CN205	33L8021 2D AC	CONN.2P R/A 87210-0236	0	PCS
CN901	33L8029 5A H	3 PIN CONNECTOR	1	PCS
	40L 45762420A	ID LABEL	1.03	PCS
	51L 6 4500	RTV 胶	0	G
	51L 6 4502	RTV 胶	2	G
	51L 6 4503	RTV 胶	0	G
	52L6025 11683	绝缘片	1	PCS
IC902	56L 139 3	PC123FY2 BY SHARP	0	PCS
IC902	56L 139 3A	PC123Y22	1	PCS
IC902	56L 139 3B	PC123 Y82	0	PCS
NR901	61L 58050 WT	NTC 5 OHM 5A	1	PCS
R903	61L152M10458F	100K OHM 5% 2W	1	PCS
R917	61L152M398 64	0.39 OHM 2W	1	PCS
C911	63L107K224 US	X2 0.22UF 275VAC MPX	1	PCS
C903	63L107K334 U	MPX 0.33UF,275VAC,+/-10%	1	PCS
C204	65L 3J5096ET	5PF 5% SL 3KV	1	PCS
C205	65L 3J5096ET	5PF 5% SL 3KV	1	PCS
C209	65L 3J5096ET	5PF 5% SL 3KV	1	PCS
C236	65L 3J5096ET	5PF 5% SL 3KV	1	PCS

C237	65L 3J5096ET	5PF 5% SL 3KV	1	PCS
C239	65L 3J5096ET	5PF 5% SL 3KV	1	PCS
C901	65L305M2222B2	2200PF 400VAC/250VAC	1	PCS
C902	65L305M2222B2	2200PF 400VAC/250VAC	1	PCS
C912	65L305M2222B2	2200PF 400VAC/250VAC	1	PCS
C201	67L 215102 3H	1000UF +-20% 16V	1	PCS
C225	67L 215102 3H	1000UF +-20% 16V	1	PCS
C922	67L 215102 3H	1000UF +-20% 16V	1	PCS
C923	67L 215102 3H	1000UF +-20% 16V	1	PCS
C924	67L 215102 3H	1000UF +-20% 16V	1	PCS
C925	67L 215102 3H	1000UF +-20% 16V	1	PCS
C201	67L 215102 3K	1000UF +-20% 16V	0	PCS
C225	67L 215102 3K	1000UF +-20% 16V	0	PCS
C922	67L 215102 3K	1000UF +-20% 16V	0	PCS
C923	67L 215102 3K	1000UF +-20% 16V	0	PCS
C924	67L 215102 3K	1000UF +-20% 16V	0	PCS
C925	67L 215102 3K	1000UF +-20% 16V	0	PCS
C904	67L305S12114K	E.C 105 CAP	1	PCS
FB901	71L 55 29	FERRITE BEAD	1	PCS
L901	73L 174 26 T1	LINE LILTER 0.45mm	1	PCS
L903	73L 253 91 H	CHOKER COIL	0	PCS
L904	73L 253 91 H	CHOKER COIL	0	PCS
L903	73L 253 91 L	CHOKER BY LI TA	0	PCS
L904	73L 253 91 L	CHOKER BY LI TA	0	PCS
L903	73L 253 91 LS	CHOKER BY LI SHIN	1	PCS
L904	73L 253 91 LS	CHOKER BY LI SHIN	1	PCS
T901	80LL17T 2 L	ADAPTOR BY LITAI	0	PCS
T901	80LL17T 2 T	X'FMR	1	PCS
T901	80LL17T 2 LS	ADAPTOR BY LISHIN	0	PCS
PT201	80LL17T 16 DN	XFMR	0	PCS
PT202	80LL17T 16 DN	XFMR	0	PCS
PT201	80LL17T 16 LC	XFMR	1	PCS
PT202	80LL17T 16 LC	XFMR	1	PCS
DB901	93L 50460 8	BRIDGE 2KBP06M2A600V	1	PCS
D901	93L 6026T52T	RECTIFIER DIODE FR107	1	PCS
D901	93L 6026W52T	FR107	0	PCS
D902	93L 6038P52T	PS102R	1	PCS
D902	93L 6038T52T	FR103	0	PCS
CON102	95L8021 12514	POWER HARNESS	1	PCS
	705L 780 57 48	Q903 ASS'Y	1	PCS

	705L 780 61 04	R224 ASS'Y	1	PCS
	705L 780 93 09	D910/D911	1	PCS
-----	-----	-----	-----	----
PARENT	NO : PW1742LGH2SMT	POWER BOARD		
-----	-----	-----	-----	----
	PWPC1742LGH2AI	POWER BOARD	1	PCS
IC901	56L 379 33	SG6841S	1	PCS
IC201	56L 608 6	OZ960G SOP-20	1	PCS
Q206	57L 417 4	PMBS3904/PHILIPS-SMT(04	1	PCS
Q204	57L 600 40	SP8M3FTB SOP-8	1	PCS
Q208	57L 600 40	SP8M3FTB SOP-8	1	PCS
Q209	57L 600 40	SP8M3FTB SOP-8	1	PCS
Q210	57L 600 40	SP8M3FTB SOP-8	1	PCS
Q211	57L 758 1	2N7002E SOT23	1	PCS
Q212	57L 758 1	2N7002E SOT23	1	PCS
Q213	57L 758 1	2N7002E SOT23	1	PCS
Q214	57L 758 1	2N7002E SOT23	1	PCS
Q215	57L 758 1	2N7002E SOT23	1	PCS
Q205	57L 760 4	DTA144WKA BY ROHM SMT(7	1	PCS
Q207	57L 760 5	DTC144WKA BY ROHM SMT(8	1	PCS
R927	61L0805000	CHIP O OHM 1/8W	1	PCS
R201	61L0805100 1F	SMD 10KOHM/0805/+1% 1/	1	PCS
R205	61L0805100 1F	SMD 10KOHM/0805/+1% 1/	1	PCS
R206	61L0805100 1F	SMD 10KOHM/0805/+1% 1/	1	PCS
R218	61L0805100 1F	SMD 10KOHM/0805/+1% 1/	1	PCS
R239	61L0805100 1F	SMD 10KOHM/0805/+1% 1/	1	PCS
R203	61L0805100 2F	CHIP 10K OHM 1/8W 1%	1	PCS
R204	61L0805100 2F	CHIP 10K OHM 1/8W 1%	1	PCS
R207	61L0805100 2F	CHIP 10K OHM 1/8W 1%	1	PCS
R216	61L0805100 4F	CHIPR 1M OHM +-1% 1/8W	1	PCS
R223	61L0805100 4F	CHIPR 1M OHM +-1% 1/8W	1	PCS
R231	61L0805100 4F	CHIPR 1M OHM +-1% 1/8W	1	PCS
R238	61L0805100 4F	CHIPR 1M OHM +-1% 1/8W	1	PCS
R241	61L0805100 4F	CHIPR 1M OHM +-1% 1/8W	1	PCS
R243	61L0805100 4F	CHIPR 1M OHM +-1% 1/8W	1	PCS
R912	61L0805101	CHIPR 100 OHM +-5% 1/8W	1	PCS
R925	61L0805102	CHIPR 1K OHM +-5% 1/8W	1	PCS
R926	61L0805102	CHIPR 1K OHM +-5% 1/8W	1	PCS
R928	61L0805102	CHIPR 1K OHM +-5% 1/8W	1	PCS
R913	61L0805103	CHIPR 10K OHM +-5% 1/8W	1	PCS

R916	61L0805103	CHIPR 10K OHM +-5% 1/8W	1	PCS
R225	61L0805200 4F	CHIPR 2M OHM +-1% 1/8W	1	PCS
R220	61L0805220	CHIP 22 OHM 5% 0805 1/8	1	PCS
R915	61L0805220	CHIP 22 OHM 5% 0805 1/8	1	PCS
R932	61L0805221	CHIPR 220 OHM +-5% 1/8W	1	PCS
R924	61L0805242	CHIP 2.4KOHM 1% 1/8W	1	PCS
R914	61L0805243	SMD 24KOHM/0805/+-5% 1/	1	PCS
R226	61L0805244	240K 1/8W	1	PCS
R210	61L0805431	CHIP 430OHM 5% 0805 1/8	1	PCS
R215	61L0805431	CHIP 430OHM 5% 0805 1/8	1	PCS
R227	61L0805431	CHIP 430OHM 5% 0805 1/8	1	PCS
R234	61L0805431	CHIP 430OHM 5% 0805 1/8	1	PCS
R910	61L0805472	CHIPR 4.7K OHM +-5% 1/8	1	PCS
R911	61L0805472	CHIPR 4.7K OHM +-5% 1/8	1	PCS
R222	61L0805513	CHIP 51KOHM 1/8W	1	PCS
R236	61L0805514	510KOHM 1/8W	1	PCS
R233	61L0805624	CHIP 620KOHM 5% 0805 1/	1	PCS
R237	61L0805624	CHIP 620KOHM 5% 0805 1/	1	PCS
R212	61L0805682	CHIP 6.8KOHM 5% 0805 1/	1	PCS
R228	61L0805682	CHIP 6.8KOHM 5% 0805 1/	1	PCS
R217	61L0805683	CHIPR 68K OHM+-5% 1/8W	1	PCS
R219	61L0805912	CHIP 9.1KOHM 5% 0805 1/	1	PCS
R908	61L1206000	CHIPR 0 OHM +-5% 1/4W	1	PCS
R929	61L1206101	CHIP 100 OHM 5% 1/4W	1	PCS
R906	61L1206105	CHIP 1MOHM 5% 1/4W	1	PCS
R907	61L1206105	CHIP 1MOHM 5% 1/4W	1	PCS
R202	61L1206150 9F	CHIPR 15 OHM +-1% 1/4W	1	PCS
R900	61L1206394	CHIPR 390KOHM+-5% 1/4W	1	PCS
R901	61L1206394	CHIPR 390KOHM+-5% 1/4W	1	PCS
R902	61L1206394	CHIPR 390KOHM+-5% 1/4W	1	PCS
R244	61L1206471	CHIPR 470 OHM+-5% 1/4W	1	PCS
R909	61L1206472	CHIP 4.7KOHM 5% 1/4W	1	PCS
C910	65L0805102 32	CHIP 1000P 50VX7R 0805	1	PCS
C211	65L0805104 22	0.1UF +-10% 25V X7R 080	1	PCS
C202	65L0805104 32	CHIP 0.1UF 50V X7R	1	PCS
C210	65L0805104 32	CHIP 0.1UF 50V X7R	1	PCS
C212	65L0805104 32	CHIP 0.1UF 50V X7R	1	PCS
C217	65L0805104 32	CHIP 0.1UF 50V X7R	1	PCS
C226	65L0805104 32	CHIP 0.1UF 50V X7R	1	PCS
C227	65L0805104 32	CHIP 0.1UF 50V X7R	1	PCS



C229	65L0805104 32	CHIP 0.1UF 50V X7R	1	PCS
C235	65L0805104 32	CHIP 0.1UF 50V X7R	1	PCS
C240	65L0805104 32	CHIP 0.1UF 50V X7R	1	PCS
C243	65L0805104 32	CHIP 0.1UF 50V X7R	1	PCS
C245	65L0805104 32	CHIP 0.1UF 50V X7R	1	PCS
C246	65L0805104 32	CHIP 0.1UF 50V X7R	1	PCS
C247	65L0805104 32	CHIP 0.1UF 50V X7R	1	PCS
C907	65L0805104 32	CHIP 0.1UF 50V X7R	1	PCS
C909	65L0805104 32	CHIP 0.1UF 50V X7R	1	PCS
C926	65L0805104 32	CHIP 0.1UF 50V X7R	1	PCS
C927	65L0805104 32	CHIP 0.1UF 50V X7R	1	PCS
C929	65L0805104 32	CHIP 0.1UF 50V X7R	1	PCS
C213	65L0805105 22	CHIP 1UF 25V X7R 0805	1	PCS
C219	65L0805105 22	CHIP 1UF 25V X7R 0805	1	PCS
C222	65L0805105 22	CHIP 1UF 25V X7R 0805	1	PCS
C232	65L0805152 22	CHIP 0.005UF 25V X7R 08	1	PCS
C220	65L0805221 32	CHIP 220PF 50V X7R 0805	1	PCS
C224	65L0805222 22	0805 2200PF +-10% 25V X	1	PCS
C244	65L0805225 27	2.2UF	1	PCS
C216	65L0805332 32	3200PF/25V/X7R	1	PCS
C242	65L0805332 32	3200PF/25V/X7R	1	PCS
C215	65L0805471 21	CHIP 470PF 25V NPO	1	PCS
C241	65L0805471 21	CHIP 470PF 25V NPO	1	PCS
C930	65L0805471 21	CHIP 470PF 25V NPO	1	PCS
C214	65L0805473 32	CHIP 0.047UF 50V X7R	1	PCS
C230	65L0805473 32	CHIP 0.047UF 50V X7R	1	PCS
C221	65L0805474 22	CHIP 0.47UF 25V X7R 080	1	PCS
C228	65L0805682 32	CHIP 6.8UF 50V X7R 0805	1	PCS
C207	65L1206225 22	2.2UF 25V X7R 1206	1	PCS
C234	65L1206225 22	2.2UF 25V X7R 1206	1	PCS
D208	93L 6432V	LL4148-GS08	1	PCS
D211	93L 6432V	LL4148-GS08	1	PCS
D212	93L 6432V	LL4148-GS08	1	PCS
D213	93L 6432V	LL4148-GS08	1	PCS
D214	93L 6432V	LL4148-GS08	1	PCS
D903	93L 6432V	LL4148-GS08	1	PCS
D904	93L 6432V	LL4148-GS08	1	PCS
D201	93L 6433G	BAV99-SMT	0	PCS
D202	93L 6433G	BAV99-SMT	0	PCS
D203	93L 6433G	BAV99-SMT	0	PCS

D204	93L 6433G	BAV99-SMT	0	PCS
D206	93L 6433G	BAV99-SMT	0	PCS
D207	93L 6433G	BAV99-SMT	0	PCS
D209	93L 6433G	BAV99-SMT	0	PCS
D210	93L 6433G	BAV99-SMT	0	PCS
D201	93L 6433P	BAV99	1	PCS
D202	93L 6433P	BAV99	1	PCS
D203	93L 6433P	BAV99	1	PCS
D204	93L 6433P	BAV99	1	PCS
D206	93L 6433P	BAV99	1	PCS
D207	93L 6433P	BAV99	1	PCS
D209	93L 6433P	BAV99	1	PCS
D210	93L 6433P	BAV99	1	PCS
ZD904	93L 39S 16 T	SML4737A/1	0	PCS
ZD904	93L 39S 19 T	PTZ7.5B	1	PCS
ZD901	93L 39S 20 T	RLZ22B BY ROHM	1	PCS
ZD901	93L 39S 23 T	PLZ22B	0	PCS
ZD201	93L 39S 24 T	RLZTE-115.6B ROHM	1	PCS
ZD202	93L 39S 24 T	RLZTE-115.6B ROHM	1	PCS
ZD203	93L 39S 24 T	RLZTE-115.6B ROHM	1	PCS
-----	-----	-----	-----	----
PARENT	NO : PWPC1742LGH2AI	POWER BOARD		
-----	-----	-----	-----	----
CN901	6L 31500	EYELET	3	PCS
C904	6L 31502	1.5MM RIVET	2	PCS
L901	6L 31502	1.5MM RIVET	4	PCS
NR901	6L 31502	1.5MM RIVET	2	PCS
PT201	6L 31502	1.5MM RIVET	2	PCS
PT202	6L 31502	1.5MM RIVET	2	PCS
T901	6L 31502	1.5MM RIVET	4	PCS
	715L1236 2QDI	POWER PCB	1	PCS
C208	95L 90 23	TIN COATED	0	PCS
C238	95L 90 23	TIN COATED	0	PCS
J903	95L 90 23	TIN COATED	0	PCS
J904	95L 90 23	TIN COATED	0	PCS
J905	95L 90 23	TIN COATED	0	PCS
J906	95L 90 23	TIN COATED	0	PCS
J907	95L 90 23	TIN COATED	0	PCS
J908	95L 90 23	TIN COATED	0	PCS
J909	95L 90 23	TIN COATED	0	PCS

J910	95L 90 23	TIN COATED	0	PCS
J912	95L 90 23	TIN COATED	0	PCS
J913	95L 90 23	TIN COATED	0	PCS
J914	95L 90 23	TIN COATED	0	PCS
J916	95L 90 23	TIN COATED	0	PCS
J917	95L 90 23	TIN COATED	0	PCS
J918	95L 90 23	TIN COATED	0	PCS
J919	95L 90 23	TIN COATED	0	PCS
J921	95L 90 23	TIN COATED	0	PCS
J925	95L 90 23	TIN COATED	0	PCS
J928	95L 90 23	TIN COATED	0	PCS
J929	95L 90 23	TIN COATED	0	PCS
J930	95L 90 23	TIN COATED	0	PCS
J933	95L 90 23	TIN COATED	0	PCS
J934	95L 90 23	TIN COATED	0	PCS
J935	95L 90 23	TIN COATED	0	PCS
J936	95L 90 23	TIN COATED	0	PCS
J937	95L 90 23	TIN COATED	0	PCS
J938	95L 90 23	TIN COATED	0	PCS
J939	95L 90 23	TIN COATED	0	PCS
J940	95L 90 23	TIN COATED	0	PCS
J941	95L 90 23	TIN COATED	0	PCS
J942	95L 90 23	TIN COATED	0	PCS
J943	95L 90 23	TIN COATED	0	PCS
J944	95L 90 23	TIN COATED	0	PCS
J945	95L 90 23	TIN COATED	0	PCS
R922	61L 21033352T	33K 1/6W 1%	1	PCS
R923	61L 21036252T	3.6K 1/6W 1%	1	PCS
R292	61L 60222052T	CFR 22 OHM+-5% 1/6W	1	PCS
R221	61L 60233352T	33KOHM 1% 1/6W	1	PCS
R920	61L175L47052T	47OHM +-5% 1/2W	1	PCS
R921	61L175L47052T	47OHM +-5% 1/2W	1	PCS
R208	61L212Y625 KT	6.2M 3KV KAMAYA	1	PCS
ZD902	93L 39 7152T	HZ15-1	1	PCS
ZD903	93L 3951352T	HZ6C2	1	PCS
IC903	56L 158 10 T	AZ431AZ-A TO-92	1	PCS
Q902	57L 419 PP T	2PC945P	1	PCS
Q901	57L 420 PP T	2PA733P	1	PCS
C905	65L 1K222 2T	0.0022UF 1KV +-10%	1	PCS
C920	65L517K102 5T	1000PF 10% Y5P 500V	1	PCS

C921	65L517K102 5T	1000PF 10% Y5P 500V	1	PCS
C906	67L 305220 7T	22UF +-20% 50V	1	PCS
C931	67L215L1007KT	10UF 50V	1	PCS
F901	84L 56 1	FUSE 2A 250V WICKMANN	1	PCS
-----	-----	-----	-----	----
PARENT	NO : 705L 780 57 48	Q903 ASS'Y		
-----	-----	-----	-----	----
	51L 200 1	散热油	2	G
Q903	57L 667 20	AP2761I-A TO-220CFM	1	PCS
	90L6064 1	HEAT SINK	1	PCS
	M1L1730 8128	SCREW M3x8	1	PCS
-----	-----	-----	-----	----
PARENT	NO : 705L 780 61 04	R224 ASS'Y		
-----	-----	-----	-----	----
R224	61L212Y625 KT	6.2M 3KV KAMAYA	1	PCS
	96L 29 1	SHRINK TUBE UL/CSA	30	MM
-----	-----	-----	-----	----
PARENT	NO : 705L 780 93 09	D910/D911		
-----	-----	-----	-----	----
	51L 200 1	散热油	2	G
	90L6064 1	HEAT SINK	1	PCS
D911	93L 60237	SRF20100C	1	PCS
D910	93L 60245	SP10150	1	PCS
	M1L1730 8128	SCREW M3x8	2	PCS
-----	-----	-----	-----	----
PARENT	NO : 705L780KP34 H2	支架组件		
-----	-----	-----	-----	----
	12L 394 4	RUBBER FOOT	6	PCS
	15L8007 1	BASE BRACKET	1	PCS
	33L4595 FE L	POWER COVER	1	PCS
	33L4597 FE L	OSD BUTTON	1	PCS
	33L4598 1	POWER LENS	1	PCS
	33L4640 A7 L	POWER KNOB	1	PCS
	34L1314 EY B	BASE	1	PCS
	34L1315AA5 B	BEZEL	1	PCS
	37L6014 GC A	HINGE	1	PCS
	78L 329 1 L	SPEAKER 40HM/2W	1	PCS
	78L 329 1 R	SPEAKER 40HM/2W	1	PCS
	Q1L 130 6120	SCREW (T3X6)	8	PCS
	Q1L1030 8128	SCREW	4	PCS

-----	-----	-----	-----	----
PARENT	NO : 705L780KP87 HP	AC INPUT ASS'Y		
-----	-----	-----	-----	----
	CNPC780HP	CONVERSION BOARD FOR T7	1	PCS
	15L8010 1	AC SUPPORT BRACKET	1	PCS
	52L6025 11552	MYLAR	1	PCS
	87L 501 13 CJ	AC SOCKET ASS'Y	0	PCS
	87L 501 13 RF	AC SOCKET	1	PCS
	95L205S354022	HARNESS	1	PCS
	95L8021 2505	WIRE HARNESS	1	PCS
	96L 29 6	SHRINK TUBE UL/CSA	60	MM
	M1L 330 4128	SCREW M3X4	1	PCS
-----	-----	-----	-----	----
PARENT	NO : CNPC780HP	CONVERSION BOARD FOR T80		
-----	-----	-----	-----	----
	CNPC780HPAI	CNPC BOARD	1	PCS
J1	88L 30213S	PHONE JACK 3P GREEN	1	PCS
JP1	95L8014 3504	CNPC HARNESS	1	PCS
-----	-----	-----	-----	----
PARENT	NO : CNPC780HPAI	CNPC BOARD		
-----	-----	-----	-----	----
	715L1313 1	CNPC BOARD	1	PCS
C001	65L 44212113T	120PF/50V	1	PCS
C002	65L 44212113T	120PF/50V	1	PCS

**NOTE: L1702 mode (T780KGXHKHHPN) also use LG E01 panel, but the FP7317 mode(T780KGXHKHHPA) with audio, and L1702 model without audio.**

## 12.4 Hydis Panel Model (T780KKXHKHHPA)

插件位置	元件料号编号	品名规格	来源	组成 用量
	AUPC780HP	AUDIO BOARD FOR T780*HP	1	PCS
	CBPC780KKXHPA	CONVERSION BOARD	1	PCS
	KEPC780KC8	KEY BOARD	1	PCS
	PWPC1742HDH2	POWER BOARD	1	PCS
	15L5689 3 A	GROUND CLAMP	1	PCS
	15L8006 7	MAIN FRAME	1	PCS
	34L1316 EY 2B	REAR COVER	1	PCS
	40L 152509	RECYCLE LABEL	0	PCS
	40L 152512	RECYCLE LABEL	0	PCS
	40L 190690 1	ID LABEL	1	PCS
	40L 581 26704	唛头纸 FOR CARTON/PALLET	0.01	PCS
	44L3231 15	EVA WASHER	1	PCS
	44L3731 1	EPS	1	PCS
	44L3731 2	EPS	1	PCS
	44L3731624 1A	CARTON	1	PCS
	45L 76 28 H	PE BAG FOR MANUAL	1	PCS
	45L 77 3	打包膜	398	CM
	45L 77500	BARCODE RIBBON	19	CM
	45L 88609 2	EPE COVER	1	PCS
	45L 88626 H	PE BAG FOR MONITOR	1	PCS
	52L 1186	SMALL TAPE	8	CM
	52L 1211 A	ALUMINIUM TAPE	2	PCS
	52L6020 1	PROTECT FILM	1	PCS
	52L6022 3	SMALL TAPE	15	CM
	52L6025 11657	INSULATE SHEET	1	PCS
	85L 667 1	SHIELD	1	PCS
	89L 173 56 18	AUDIO CABLE 1500mm BLAC	1	PCS
	89L1735GAA 13	SIGNAL CABLE	1	PCS
	89L404A18N IS	POWER CORD 插墙	1	PCS
	95L8014 18 1	KEY BOARD HARNESS	1	PCS
	95L8018 30 42	HARNESS	1	PCS
	M1L 330 4128	SCREW M3X4	3	PCS
	M1L 330 5128	SCR 3X0.5 5MM STEEL	4	PCS
	M1L 330 6128	SCREW	1	PCS
	M1L1140 6128	SCREW 4X6	1	PCS
	M1L1730 6128	SCREW M3x6	11	PCS

	Q1L 340 10 47	SCREW 4X10mm	7	PCS
	Q1L1030 8128	SCREW	3	PCS
	750LLK70 13	HYD'S 17" LCD PANEL(-10	1	PCS
	750LLK70 13 1	HYDIS17"13-100 PAND TI	0	PCS
	AM1L1740 12 47	SCREW	2	PCS
	705L780KP87 HP	AC INPUT ASS'Y	1	PCS
	705L780KP34 H3	支架组件	1	PCS
-----	-----	-----	-----	----
PARENT	NO :AUPC780HP	AUDIO BOARD FOR T780*H		
-----	-----	-----	-----	----
	AUPC780HPSMT	AUDIO BOARD	1	PCS
CN702	33L3802 3H	WAFER 3P RIGHT ANGLE	1	PCS
CN701	33L802414C H	2*7PIN DUAL ROW RIGHT A	1	PCS
	51L 200 1	散热油	2	G
U701	56L 616 10	TDA1517 SOT110-1	1	PCS
C704	67L 215102 3H	1000UF +-20% 16V	1	PCS
C713	67L 215102 3H	1000UF +-20% 16V	1	PCS
C714	67L 215102 3H	1000UF +-20% 16V	1	PCS
C709	67L 309101 3T	100uF 16V	1	PCS
C718	67L 309101 3T	100uF 16V	1	PCS
C701	67L 309479 3T	4.7UF +-20% 16V	1	PCS
C702	67L 309479 3T	4.7UF +-20% 16V	1	PCS
L701	73L 253139LSL	CHOKE COIL	1	PCS
U701	90L 419 1	HEAT SINK	1	PCS
U701	90L 420 1	HEAT SINK	1	PCS
	M1L1730 7128	SCREW	1	PCS
-----	-----	-----	-----	----
PARENT	NO : AUPC780HPSMT	AUDIO BOARD		
-----	-----	-----	-----	----
Q701	57L 417 4	PMBS3904/PHILIPS-SMT(04	1	PCS
R708	61L0603101	CHIPR 100 OHM +-5% 1/10	1	PCS
R712	61L0603102	CHIPR 1K OHM +-5% 1/10W	1	PCS
R716	61L0603102	CHIPR 1K OHM +-5% 1/10W	1	PCS
R709	61L0603103	CHIPR 10K OHM +-5% 1/10	1	PCS
R706	61L0603104	CHIPR 100K OHM +-5% 1/1	1	PCS
L703	61L0603153	CHIPR 15KOHM+-5% 1/10W	1	PCS
L704	61L0603153	CHIPR 15KOHM+-5% 1/10W	1	PCS
R719	61L0603182	CHIPR 1.8KOHM	1	PCS
R705	61L0603204	CHIPR 200KOHM +-5% 1/10	1	PCS
R713	61L0603223	CHIPR 22K OHM +-5% 1/10	1	PCS

R701	61L0603333	CHIP 33K OHM 1/10W	1	PCS
R702	61L0603333	CHIP 33K OHM 1/10W	1	PCS
R707	61L0603472	CHIPR 4.7K OHM +-5% 1/1	1	PCS
R703	61L0603473	CHIP 47K OHM 1/10W	1	PCS
R704	61L0603473	CHIP 47K OHM 1/10W	1	PCS
R715	61L0603473	CHIP 47K OHM 1/10W	1	PCS
C706	65L0603104 12	0.1UF +-10% 16V X7R	1	PCS
C710	65L0603104 12	0.1UF +-10% 16V X7R	1	PCS
C711	65L0603104 12	0.1UF +-10% 16V X7R	1	PCS
C712	65L0603104 12	0.1UF +-10% 16V X7R	1	PCS
C715	65L0603104 12	0.1UF +-10% 16V X7R	1	PCS
C151	65L0603104 32	CHIP 0.1UF 50V X7R	1	PCS
C716	65L0603121 31	CHIP 120PF 50V NPO	1	PCS
C717	65L0603121 31	CHIP 120PF 50V NPO	1	PCS
C703	65L0603560 31	CHIP 56PF 50V NPO	1	PCS
C705	65L0603560 31	CHIP 56PF 50V NPO	1	PCS
C707	65L0603562 32	CHIP 5600PF 50V X7R	1	PCS
C708	65L0603562 32	CHIP 5600PF 50V X7R	1	PCS
FB701	71L 59B121	TB160808B121 SMD	1	PCS
FB702	71L 59B121	TB160808B121 SMD	1	PCS
D701	93L 6432V	LL4148-GS08	1	PCS
D702	93L 6432V	LL4148-GS08	1	PCS
	715L1249 E 2	PCB	1	PCS
-----	-----	-----	-----	----
PARENT	NO : CBPC780KKXHPA	CONVERSION BOARD		
-----	-----	-----	-----	----
	AIC780KKXHPA	MAIN BOARD	1	PCS
CN601	33L801714A H	PIN HEADER 2*7 R/A	1	PCS
CN201	33L8027 12	WAFER 2*6P 2.0MM R/A	1	PCS
CN303	33L8027 14 H	WAFER 14P 2.0MM DIP DUA	1	PCS
CN602	33L8027 16	WAFER 16PIN 2.0mm DIP	1	PCS
CN503	33L802724D H	24PIN	1	PCS
	40L 457624 1B	CPU LABEL	1	PCS
	40L 45762412A	CBPC LABEL	1	PCS
U601	56L1125543KP1	MTV512MV	1	PCS
C215	67L215B1014HV	EC 100UF 25V LTR101M1EE	1	PCS
C202	67L215B2214HV	LOW ESR 220UF 25V 8*11	1	PCS
C204	67L215B2214HV	LOW ESR 220UF 25V 8*11	1	PCS
C211	67L215B4704KV	47uF/25V	1	PCS
C208	67L309V100 4	10UF +-20% 25V	1	PCS



C402	67L309V100 4	10UF +-20% 25V	1	PCS
C411	67L309V100 4	10UF +-20% 25V	1	PCS
C416	67L309V100 4	10UF +-20% 25V	1	PCS
C419	67L309V100 4	10UF +-20% 25V	1	PCS
C422	67L309V100 4	10UF +-20% 25V	1	PCS
C428	67L309V100 4	10UF +-20% 25V	1	PCS
C206	67L309V109 7	1UF +-20% 50V	1	PCS
X601	93L 22 51	CRYSTAL 12MHz HC-49US A	1	PCS
X401	93L 22 53	CRYSTAL 14.318MHzHC-49U	1	PCS
-----	-----	-----	-----	----
PARENT	NO : AIC780KKXHPA	MAIN BOARD		
-----	-----	-----	-----	----
U401	56L 562 53	MST9111B PQFP-128	1	PCS
U202	56L 563 7	AIC1084-33CM	1	PCS
U201	56L 585 7	RT9164-25CL	1	PCS
U203	56L 643 5A	MAX810STR SOT-23	1	PCS
U301	56L1133 20	AT24C02N-10SC	1	PCS
U602	56L1133 24	AT24C16N-10SC-2.7	1	PCS
U301	56L1133 34	M24C02-WMN6T SMT	0	PCS
U602	56L1133 56	M24C16-WMN6T/W SO-8	0	PCS
Q201	57L 417 4	PMBS3904/PHILIPS-SMT(04	1	PCS
Q202	57L 417 4	PMBS3904/PHILIPS-SMT(04	1	PCS
Q204	57L 417 4	PMBS3904/PHILIPS-SMT(04	1	PCS
Q601	57L 417 6	PMBS3906/PHILIPS-SMT(06	1	PCS
Q602	57L 417 6	PMBS3906/PHILIPS-SMT(06	1	PCS
Q203	57L 763 1	A03401 SOT23 BY AOS(A1)	1	PCS
RN601	61L 125103 8	CHIP AR 8P4R 10KOHM +-5	1	PCS
RN602	61L 125103 8	CHIP AR 8P4R 10KOHM +-5	1	PCS
RN603	61L 125103 8	CHIP AR 8P4R 10KOHM +-5	1	PCS
RN604	61L 125103 8	CHIP AR 8P4R 10KOHM +-5	1	PCS
R201	61L0603000	CHIPR 0OHM +-5% 1/10W	1	PCS
R209	61L0603000	CHIPR 0OHM +-5% 1/10W	1	PCS
R351	61L0603000	CHIPR 0OHM +-5% 1/10W	1	PCS
R355	61L0603000	CHIPR 0OHM +-5% 1/10W	1	PCS
R357	61L0603000	CHIPR 0OHM +-5% 1/10W	1	PCS
R358	61L0603000	CHIPR 0OHM +-5% 1/10W	1	PCS
R359	61L0603000	CHIPR 0OHM +-5% 1/10W	1	PCS
R502	61L0603000	CHIPR 0OHM +-5% 1/10W	1	PCS
R638	61L0603000	CHIPR 0OHM +-5% 1/10W	1	PCS
R308	61L0603101	CHIPR 100 OHM +-5% 1/10	1	PCS

R309	61L0603101	CHIPR 100 OHM +-5% 1/10	1	PCS
R310	61L0603101	CHIPR 100 OHM +-5% 1/10	1	PCS
R312	61L0603101	CHIPR 100 OHM +-5% 1/10	1	PCS
R314	61L0603101	CHIPR 100 OHM +-5% 1/10	1	PCS
R608	61L0603101	CHIPR 100 OHM +-5% 1/10	1	PCS
R609	61L0603101	CHIPR 100 OHM +-5% 1/10	1	PCS
R636	61L0603101	CHIPR 100 OHM +-5% 1/10	1	PCS
R203	61L0603102	CHIPR 1K OHM +-5% 1/10W	1	PCS
R204	61L0603102	CHIPR 1K OHM +-5% 1/10W	1	PCS
R315	61L0603102	CHIPR 1K OHM +-5% 1/10W	1	PCS
R202	61L0603103	CHIPR 10K OHM +-5% 1/10	1	PCS
R206	61L0603103	CHIPR 10K OHM +-5% 1/10	1	PCS
R208	61L0603103	CHIPR 10K OHM +-5% 1/10	1	PCS
R211	61L0603103	CHIPR 10K OHM +-5% 1/10	1	PCS
R213	61L0603103	CHIPR 10K OHM +-5% 1/10	1	PCS
R311	61L0603103	CHIPR 10K OHM +-5% 1/10	1	PCS
R317	61L0603103	CHIPR 10K OHM +-5% 1/10	1	PCS
R318	61L0603103	CHIPR 10K OHM +-5% 1/10	1	PCS
R319	61L0603103	CHIPR 10K OHM +-5% 1/10	1	PCS
R601	61L0603103	CHIPR 10K OHM +-5% 1/10	1	PCS
R602	61L0603103	CHIPR 10K OHM +-5% 1/10	1	PCS
R604	61L0603103	CHIPR 10K OHM +-5% 1/10	1	PCS
R605	61L0603103	CHIPR 10K OHM +-5% 1/10	1	PCS
R606	61L0603103	CHIPR 10K OHM +-5% 1/10	1	PCS
R607	61L0603103	CHIPR 10K OHM +-5% 1/10	1	PCS
R613	61L0603103	CHIPR 10K OHM +-5% 1/10	1	PCS
R614	61L0603103	CHIPR 10K OHM +-5% 1/10	1	PCS
R627	61L0603103	CHIPR 10K OHM +-5% 1/10	1	PCS
R631	61L0603103	CHIPR 10K OHM +-5% 1/10	1	PCS
R642	61L0603103	CHIPR 10K OHM +-5% 1/10	1	PCS
R643	61L0603103	CHIPR 10K OHM +-5% 1/10	1	PCS
R639	61L0603104	CHIPR 100K OHM +-5% 1/1	1	PCS
FB304	61L0603151	CHIPR 150 OHM +-5% 1/10	1	PCS
R313	61L0603151	CHIPR 150 OHM +-5% 1/10	1	PCS
R501	61L0603202	CHIPR 2K OHM+-5% 1/10W	1	PCS
R610	61L0603221	CHIPR 220 OHM+-5% 1/10W	1	PCS
R611	61L0603221	CHIPR 220 OHM+-5% 1/10W	1	PCS
R316	61L0603222	CHIPR 2.2K OHM+-5% 1/10	1	PCS
R401	61L0603390 0F	CHIP 390 OHM 1/10W 1%	1	PCS
R320	61L0603470	CHIPR 47 OHM +-5% 1/10W	1	PCS

R321	61L0603470	CHIPR 47 OHM +-5% 1/10W	1	PCS
R305	61L0603471	CHIPR 470 OHM+-5% 1/10W	1	PCS
R617	61L0603471	CHIPR 470 OHM+-5% 1/10W	1	PCS
R618	61L0603471	CHIPR 470 OHM+-5% 1/10W	1	PCS
R205	61L0603472	CHIPR 4.7K OHM +-5% 1/1	1	PCS
R207	61L0603472	CHIPR 4.7K OHM +-5% 1/1	1	PCS
R212	61L0603472	CHIPR 4.7K OHM +-5% 1/1	1	PCS
R402	61L0603472	CHIPR 4.7K OHM +-5% 1/1	1	PCS
R403	61L0603472	CHIPR 4.7K OHM +-5% 1/1	1	PCS
R616	61L0603472	CHIPR 4.7K OHM +-5% 1/1	1	PCS
R619	61L0603472	CHIPR 4.7K OHM +-5% 1/1	1	PCS
R301	61L0603750	CHIPR 75 OHM+-5% 1/10W	1	PCS
R302	61L0603750	CHIPR 75 OHM+-5% 1/10W	1	PCS
R303	61L0603750	CHIPR 75 OHM+-5% 1/10W	1	PCS
R304	61L0603750	CHIPR 75 OHM+-5% 1/10W	1	PCS
R306	61L0603750	CHIPR 75 OHM+-5% 1/10W	1	PCS
R307	61L0603750	CHIPR 75 OHM+-5% 1/10W	1	PCS
C305	65L0603102 32	1000PF +-10% 50V X7R	1	PCS
C201	65L0603104 32	CHIP 0.1UF 50V X7R	1	PCS
C203	65L0603104 32	CHIP 0.1UF 50V X7R	1	PCS
C205	65L0603104 32	CHIP 0.1UF 50V X7R	1	PCS
C207	65L0603104 32	CHIP 0.1UF 50V X7R	1	PCS
C210	65L0603104 32	CHIP 0.1UF 50V X7R	1	PCS
C212	65L0603104 32	CHIP 0.1UF 50V X7R	1	PCS
C214	65L0603104 32	CHIP 0.1UF 50V X7R	1	PCS
C216	65L0603104 32	CHIP 0.1UF 50V X7R	1	PCS
C217	65L0603104 32	CHIP 0.1UF 50V X7R	1	PCS
C313	65L0603104 32	CHIP 0.1UF 50V X7R	1	PCS
C401	65L0603104 32	CHIP 0.1UF 50V X7R	1	PCS
C403	65L0603104 32	CHIP 0.1UF 50V X7R	1	PCS
C404	65L0603104 32	CHIP 0.1UF 50V X7R	1	PCS
C405	65L0603104 32	CHIP 0.1UF 50V X7R	1	PCS
C406	65L0603104 32	CHIP 0.1UF 50V X7R	1	PCS
C407	65L0603104 32	CHIP 0.1UF 50V X7R	1	PCS
C409	65L0603104 32	CHIP 0.1UF 50V X7R	1	PCS
C410	65L0603104 32	CHIP 0.1UF 50V X7R	1	PCS
C412	65L0603104 32	CHIP 0.1UF 50V X7R	1	PCS
C413	65L0603104 32	CHIP 0.1UF 50V X7R	1	PCS
C414	65L0603104 32	CHIP 0.1UF 50V X7R	1	PCS
C415	65L0603104 32	CHIP 0.1UF 50V X7R	1	PCS

C417	65L0603104 32	CHIP 0.1UF 50V X7R	1	PCS
C418	65L0603104 32	CHIP 0.1UF 50V X7R	1	PCS
C420	65L0603104 32	CHIP 0.1UF 50V X7R	1	PCS
C421	65L0603104 32	CHIP 0.1UF 50V X7R	1	PCS
C423	65L0603104 32	CHIP 0.1UF 50V X7R	1	PCS
C424	65L0603104 32	CHIP 0.1UF 50V X7R	1	PCS
C425	65L0603104 32	CHIP 0.1UF 50V X7R	1	PCS
C429	65L0603104 32	CHIP 0.1UF 50V X7R	1	PCS
C510	65L0603104 32	CHIP 0.1UF 50V X7R	1	PCS
C511	65L0603104 32	CHIP 0.1UF 50V X7R	1	PCS
C601	65L0603104 32	CHIP 0.1UF 50V X7R	1	PCS
C605	65L0603104 32	CHIP 0.1UF 50V X7R	1	PCS
C606	65L0603104 32	CHIP 0.1UF 50V X7R	1	PCS
C607	65L0603104 32	CHIP 0.1UF 50V X7R	1	PCS
C608	65L0603104 32	CHIP 0.1UF 50V X7R	1	PCS
C609	65L0603104 32	CHIP 0.1UF 50V X7R	1	PCS
C610	65L0603104 32	CHIP 0.1UF 50V X7R	1	PCS
C613	65L0603104 32	CHIP 0.1UF 50V X7R	1	PCS
C614	65L0603104 32	CHIP 0.1UF 50V X7R	1	PCS
C426	65L0603220 31	CHIP 22PF 50V NPO	1	PCS
C427	65L0603220 31	CHIP 22PF 50V NPO	1	PCS
C602	65L0603220 31	CHIP 22PF 50V NPO	1	PCS
C604	65L0603220 31	CHIP 22PF 50V NPO	1	PCS
C312	65L0603221 31	CAP:CER 220PF 5% 50V SM	1	PCS
C311	65L0603470 31	CHIP 47PF 50V NPO	1	PCS
C302	65L0603473 32	CHIP 0.047UF 50V X7R	1	PCS
C303	65L0603473 32	CHIP 0.047UF 50V X7R	1	PCS
C304	65L0603473 32	CHIP 0.047UF 50V X7R	1	PCS
C308	65L0603473 32	CHIP 0.047UF 50V X7R	1	PCS
C309	65L0603473 32	CHIP 0.047UF 50V X7R	1	PCS
C310	65L0603473 32	CHIP 0.047UF 50V X7R	1	PCS
FB202	71L 56Z601	CHIP BEAD 600 OHM 0805	1	PCS
FB401	71L 56Z601	CHIP BEAD 600 OHM 0805	1	PCS
FB402	71L 56Z601	CHIP BEAD 600 OHM 0805	1	PCS
FB403	71L 56Z601	CHIP BEAD 600 OHM 0805	1	PCS
FB404	71L 56Z601	CHIP BEAD 600 OHM 0805	1	PCS
FB405	71L 56Z601	CHIP BEAD 600 OHM 0805	1	PCS
FB406	71L 56Z601	CHIP BEAD 600 OHM 0805	1	PCS
FB601	71L 56Z601	CHIP BEAD 600 OHM 0805	1	PCS
FB602	71L 56Z601	CHIP BEAD 600 OHM 0805	1	PCS

R621	71L 59B601 EA	CHIP BEAD 600 OHM	1	PCS
R622	71L 59B601 EA	CHIP BEAD 600 OHM	1	PCS
R623	71L 59B601 EA	CHIP BEAD 600 OHM	1	PCS
R624	71L 59B601 EA	CHIP BEAD 600 OHM	1	PCS
R630	71L 59B601 EA	CHIP BEAD 600 OHM	1	PCS
FB301	71L 59C300	30 OHM BEAD	1	PCS
FB302	71L 59C300	30 OHM BEAD	1	PCS
FB303	71L 59C300	30 OHM BEAD	1	PCS
U601	87L 202 44	PLCC SMT CONN PD41C-441	1	PCS
D305	93L 39147	TZMC5V6-GS08	1	PCS
D306	93L 39147	TZMC5V6-GS08	1	PCS
D307	93L 39147	TZMC5V6-GS08	1	PCS
D308	93L 39147	TZMC5V6-GS08	1	PCS
D309	93L 39147	TZMC5V6-GS08	1	PCS
D327	93L 39147	TZMC5V6-GS08	1	PCS
D328	93L 39147	TZMC5V6-GS08	1	PCS
D329	93L 39147	TZMC5V6-GS08	1	PCS
D305	93L 39149	MLL5232B BY FULL POWER	0	PCS
D306	93L 39149	MLL5232B BY FULL POWER	0	PCS
D307	93L 39149	MLL5232B BY FULL POWER	0	PCS
D308	93L 39149	MLL5232B BY FULL POWER	0	PCS
D309	93L 39149	MLL5232B BY FULL POWER	0	PCS
D327	93L 39149	MLL5232B BY FULL POWER	0	PCS
D328	93L 39149	MLL5232B BY FULL POWER	0	PCS
D329	93L 39149	MLL5232B BY FULL POWER	0	PCS
D304	93L 64 42 P	BAV70 SOT-23	1	PCS
D203	93L 6433P	BAV99	1	PCS
D301	93L 6433P	BAV99	1	PCS
D302	93L 6433P	BAV99	1	PCS
D303	93L 6433P	BAV99	1	PCS
D205	93L 39S 30 T	MLL5228B	1	PCS
D206	93L 39S 30 T	MLL5228B	1	PCS
D204	93L 39S 31 T	7.5V ZENER/MLL5236B	1	PCS
D201	93L2004 2A	SM240A	0	PCS
D201	93L3004 1	SMAL340XXXRO 3A 40V SMA	1	PCS
D201	93L3004 2	SR34 PAN JIT	0	PCS
D202	93L3020 19	ES3D 3A	1	PCS
	715L1253 E	MAIN BOARD	1	PCS
-----	-----	-----	-----	-----
PARENT	NO : KEPC780KC8	KEY BOARD		

-----	-----	-----	-----	----
	AIK780KC8SMT	KEY BOARD	1	PCS
CN3	33L3802 2H	WAFER 2P RIGHT ANGLE	1	PCS
CN4	33L3802 2H	WAFER 2P RIGHT ANGLE	1	PCS
CN401	33L8027 18	PIN HEADER 18P	1	PCS
VR1	75L 35850322A	VR50K BLACK	1	PCS
SW1	77L 600 1GCJ	TACT SWITCH TSPB-2	0	PCS
SW2	77L 600 1GCJ	TACT SWITCH TSPB-2	0	PCS
SW3	77L 600 1GCJ	TACT SWITCH TSPB-2	0	PCS
SW4	77L 600 1GCJ	TACT SWITCH TSPB-2	0	PCS
SW1	77L 600 1GHJ	KEY SWITCH	1	PCS
SW2	77L 600 1GHJ	KEY SWITCH	1	PCS
SW3	77L 600 1GHJ	KEY SWITCH	1	PCS
SW4	77L 600 1GHJ	KEY SWITCH	1	PCS
DP1	81L 12 1 GP	GP32032ME/50-ZY	1	PCS
CN5	88L 30211K	PHONE JACK	1	PCS
GND1	95L 900561	WIRE HARNESS	1	PCS
-----	-----	-----	-----	----
PARENT	NO : AIK780KC8SMT	KEY BOARD		
-----	-----	-----	-----	----
	AIK780KC8	KEY BOARD FOR HP	1	PCS
C101	65L0603121 31	CHIP 120PF 50V NPO	1	PCS
C102	65L0603121 31	CHIP 120PF 50V NPO	1	PCS
C103	65L0603121 31	CHIP 120PF 50V NPO	1	PCS
C104	65L0603121 31	CHIP 120PF 50V NPO	1	PCS
C106	65L0603121 31	CHIP 120PF 50V NPO	1	PCS
C107	65L0603121 31	CHIP 120PF 50V NPO	1	PCS
FB101	71L 59B121	TB160808B121 SMD	1	PCS
FB102	71L 59B121	TB160808B121 SMD	1	PCS
-----	-----	-----	-----	----
PARENT	NO : AIK780KC8	KEY BOARD FOR HP		
-----	-----	-----	-----	----
	715L1248 1	KEY BOARD	1	PCS
J101	95L 90 23	TIN COATED	1	PCS
J102	95L 90 23	TIN COATED	0	PCS
J103	95L 90 23	TIN COATED	0	PCS
J104	95L 90 23	TIN COATED	0	PCS
J105	95L 90 23	TIN COATED	0	PCS
J106	95L 90 23	TIN COATED	0	PCS
J107	95L 90 23	TIN COATED	0	PCS

J108	95L 90 23	TIN COATED	0	PCS
J109	95L 90 23	TIN COATED	0	PCS
R101	61L 60247152T	470OHM +-5% 1/6W	1	PCS
R102	61L 60247152T	470OHM +-5% 1/6W	1	PCS
ZD101	93L 3973B52T	HZ6B2	1	PCS
ZD102	93L 3973B52T	HZ6B2	1	PCS
ZD103	93L 3973B52T	HZ6B2	1	PCS
ZD104	93L 3973B52T	HZ6B2	1	PCS
ZD105	93L 3973B52T	HZ6B2	1	PCS
ZD106	93L 3973B52T	HZ6B2	1	PCS
-----	-----	-----	-----	----
PARENT	NO : PWPC1742HDH2	POWER BOARD		
-----	-----	-----	-----	----
	705L 780 57 48	Q903 ASS'Y	1	PCS
	PW1742HDH2SMT	POWER BOARD	1	PCS
	PWPC1742HDH2AI	POWER BOARD	1	PCS
	13L 13 3	CANOE CLIP	3	PCS
CN201	33L8021 2D U	CONN.2P DIP R/A LM401-0	1	PCS
CN202	33L8021 2D U	CONN.2P DIP R/A LM401-0	1	PCS
CN204	33L8021 2D U	CONN.2P DIP R/A LM401-0	1	PCS
CN205	33L8021 2D U	CONN.2P DIP R/A LM401-0	1	PCS
CN201	33L8021 2D AC	CONN.2P R/A 87210-0236	0	PCS
CN202	33L8021 2D AC	CONN.2P R/A 87210-0236	0	PCS
CN204	33L8021 2D AC	CONN.2P R/A 87210-0236	0	PCS
CN205	33L8021 2D AC	CONN.2P R/A 87210-0236	0	PCS
CN901	33L8029 5A H	3 PIN CONNECTOR	1	PCS
	40L 45762420A	ID LABEL	1.03	PCS
	51L 6 4500	RTV 胶	0	G
	51L 6 4502	RTV 胶	2	G
	51L 6 4503	RTV 胶	0	G
	52L6025 11683	绝缘片	1	PCS
IC902	56L 139 3	PC123FY2 BY SHARP	0	PCS
IC902	56L 139 3A	PC123Y22	1	PCS
IC902	56L 139 3B	PC123 Y82	0	PCS
NR901	61L 58050 WT	NTC 5 OHM 5A	1	PCS
R903	61L152M10458F	100K OHM 5% 2W	1	PCS
R917	61L152M398 64	0.39 OHM 2W	1	PCS
C911	63L107K224 US	X2 0.22UF 275VAC MPX	1	PCS
C903	63L107K334 U	MPX 0.33UF,275VAC,+/-10%	1	PCS
C204	65L 3J1506ET	15PF 3KV 5%	1	PCS

C208	65L 3J1506ET	15PF 3KV 5%	1	PCS
C236	65L 3J1506ET	15PF 3KV 5%	1	PCS
C238	65L 3J1506ET	15PF 3KV 5%	1	PCS
C205	65L 3J5096ET	5PF 5% SL 3KV	1	PCS
C209	65L 3J5096ET	5PF 5% SL 3KV	1	PCS
C237	65L 3J5096ET	5PF 5% SL 3KV	1	PCS
C239	65L 3J5096ET	5PF 5% SL 3KV	1	PCS
C901	65L305M2222B2	2200PF 400VAC/250VAC	1	PCS
C902	65L305M2222B2	2200PF 400VAC/250VAC	1	PCS
C912	65L305M2222B2	2200PF 400VAC/250VAC	1	PCS
C922	67L 215102 3H	1000UF +-20% 16V	1	PCS
C923	67L 215102 3H	1000UF +-20% 16V	1	PCS
C922	67L 215102 3K	1000UF +-20% 16V	0	PCS
C923	67L 215102 3K	1000UF +-20% 16V	0	PCS
C904	67L305S12114K	E.C 105 CAP	1	PCS
FB901	71L 55 29	FERRITE BEAD	1	PCS
L901	73L 174 26 T1	LINE LILTER 0.45mm	1	PCS
L903	73L 253 91 H	CHOKE COIL	0	PCS
L904	73L 253 91 H	CHOKE COIL	0	PCS
L903	73L 253 91 L	CHOKE BY LI TA	0	PCS
L904	73L 253 91 L	CHOKE BY LI TA	0	PCS
L903	73L 253 91 LS	CHOKE BY LI SHIN	1	PCS
L904	73L 253 91 LS	CHOKE BY LI SHIN	1	PCS
T901	80LL17T 2 L	ADAPTOR BY LITAI	0	PCS
T901	80LL17T 2 T	X'FMR	1	PCS
T901	80LL17T 2 LS	ADAPTOR BY LISHIN	0	PCS
PT201	80LL17T 16 DN	XFMR	0	PCS
PT202	80LL17T 16 DN	XFMR	0	PCS
PT201	80LL17T 16 LC	XFMR	1	PCS
PT202	80LL17T 16 LC	XFMR	1	PCS
DB901	93L 50460 8	BRIDGE 2KBP06M2A600V	1	PCS
D901	93L 6026T52T	RECTIFIER DIODE FR107	1	PCS
D901	93L 6026W52T	FR107	0	PCS
D902	93L 6038P52T	PS102R	1	PCS
D902	93L 6038T52T	FR103	0	PCS
CON102	95L8021 12514	POWER HARNESS	1	PCS
	705L 780 61 04	R224 ASS'Y	1	PCS
	705L 780 93 09	D910/D911	1	PCS
-----	-----	-----	-----	----
PARENT	NO : 705L 780 57 48	Q903 ASS'Y		



-----	-----	-----	-----	----
	51L 200 1	散热油	2	G
Q903	57L 667 20	AP2761I-A TO-220CFM	1	PCS
	90L6064 1	HEAT SINK	1	PCS
	M1L1730 8128	SCREW M3x8	1	PCS
-----	-----	-----	-----	----
PARENT	NO : PW1742HDH2SMT	POWER BOARD		
-----	-----	-----	-----	----
IC901	56L 379 33	SG6841S	1	PCS
IC201	56L 608 6	OZ960G SOP-20	1	PCS
Q206	57L 417 4	PMBS3904/PHILIPS-SMT(04	1	PCS
Q204	57L 600 40	SP8M3FTB SOP-8	1	PCS
Q208	57L 600 40	SP8M3FTB SOP-8	1	PCS
Q209	57L 600 40	SP8M3FTB SOP-8	1	PCS
Q210	57L 600 40	SP8M3FTB SOP-8	1	PCS
Q211	57L 758 1	2N7002E SOT23	1	PCS
Q212	57L 758 1	2N7002E SOT23	1	PCS
Q213	57L 758 1	2N7002E SOT23	1	PCS
Q214	57L 758 1	2N7002E SOT23	1	PCS
Q215	57L 758 1	2N7002E SOT23	1	PCS
Q205	57L 760 4	DTA144WKA BY ROHM SMT(7	1	PCS
Q207	57L 760 5	DTC144WKA BY ROHM SMT(8	1	PCS
R927	61L0805000	CHIP O OHM 1/8W	1	PCS
R201	61L0805100 1F	SMD 10KOHM/0805/+1% 1/	1	PCS
R205	61L0805100 1F	SMD 10KOHM/0805/+1% 1/	1	PCS
R206	61L0805100 1F	SMD 10KOHM/0805/+1% 1/	1	PCS
R218	61L0805100 1F	SMD 10KOHM/0805/+1% 1/	1	PCS
R239	61L0805100 1F	SMD 10KOHM/0805/+1% 1/	1	PCS
R203	61L0805100 2F	CHIP 10K OHM 1/8W 1%	1	PCS
R204	61L0805100 2F	CHIP 10K OHM 1/8W 1%	1	PCS
R207	61L0805100 2F	CHIP 10K OHM 1/8W 1%	1	PCS
R216	61L0805100 4F	CHIPR 1M OHM +-1% 1/8W	1	PCS
R223	61L0805100 4F	CHIPR 1M OHM +-1% 1/8W	1	PCS
R231	61L0805100 4F	CHIPR 1M OHM +-1% 1/8W	1	PCS
R238	61L0805100 4F	CHIPR 1M OHM +-1% 1/8W	1	PCS
R241	61L0805100 4F	CHIPR 1M OHM +-1% 1/8W	1	PCS
R243	61L0805100 4F	CHIPR 1M OHM +-1% 1/8W	1	PCS
R912	61L0805101	CHIPR 100 OHM +-5% 1/8W	1	PCS
R925	61L0805102	CHIPR 1K OHM +-5% 1/8W	1	PCS
R926	61L0805102	CHIPR 1K OHM +-5% 1/8W	1	PCS

R928	61L0805102	CHIPR 1K OHM +-5% 1/8W	1	PCS
R913	61L0805103	CHIPR 10K OHM +-5% 1/8W	1	PCS
R916	61L0805103	CHIPR 10K OHM +-5% 1/8W	1	PCS
R225	61L0805200 4F	CHIPR 2M OHM +-1% 1/8W	1	PCS
R220	61L0805220	CHIP 22 OHM 5% 0805 1/8	1	PCS
R915	61L0805220	CHIP 22 OHM 5% 0805 1/8	1	PCS
R932	61L0805221	CHIPR 220 OHM +-5% 1/8W	1	PCS
R924	61L0805242	CHIP 2.4KOHM 1% 1/8W	1	PCS
R914	61L0805243	SMD 24KOHM/0805/+5% 1/	1	PCS
R226	61L0805304	300K OM 1/8W	1	PCS
R237	61L0805334	CHIP 330KOHM 5% 0805 1/	1	PCS
R210	61L0805431	CHIP 430OHM 5% 0805 1/8	1	PCS
R215	61L0805431	CHIP 430OHM 5% 0805 1/8	1	PCS
R227	61L0805431	CHIP 430OHM 5% 0805 1/8	1	PCS
R234	61L0805431	CHIP 430OHM 5% 0805 1/8	1	PCS
R910	61L0805472	CHIPR 4.7K OHM +-5% 1/8	1	PCS
R911	61L0805472	CHIPR 4.7K OHM +-5% 1/8	1	PCS
R222	61L0805513	CHIP 51KOHM 1/8W	1	PCS
R236	61L0805514	510KOHM 1/8W	1	PCS
R212	61L0805682	CHIP 6.8KOHM 5% 0805 1/	1	PCS
R228	61L0805682	CHIP 6.8KOHM 5% 0805 1/	1	PCS
R217	61L0805683	CHIPR 68K OHM+-5% 1/8W	1	PCS
R219	61L0805912	CHIP 9.1KOHM 5% 0805 1/	1	PCS
R908	61L1206000	CHIPR 0 OHM +-5% 1/4W	1	PCS
R929	61L1206101	CHIP 100 OHM 5% 1/4W	1	PCS
R906	61L1206105	CHIP 1MOHM 5% 1/4W	1	PCS
R907	61L1206105	CHIP 1MOHM 5% 1/4W	1	PCS
R202	61L1206150 9F	CHIPR 15 OHM +-1% 1/4W	1	PCS
R900	61L1206394	CHIPR 390KOHM+-5% 1/4W	1	PCS
R901	61L1206394	CHIPR 390KOHM+-5% 1/4W	1	PCS
R902	61L1206394	CHIPR 390KOHM+-5% 1/4W	1	PCS
R244	61L1206471	CHIPR 470 OHM+-5% 1/4W	1	PCS
R909	61L1206472	CHIP 4.7KOHM 5% 1/4W	1	PCS
C250	65L0805101 31	CHIP 100PF 50V NPD 0805	1	PCS
C910	65L0805102 32	CHIP 1000P 50VX7R 0805	1	PCS
C211	65L0805104 22	0.1UF +-10% 25V X7R 080	1	PCS
C202	65L0805104 32	CHIP 0.1UF 50V X7R	1	PCS
C210	65L0805104 32	CHIP 0.1UF 50V X7R	1	PCS
C212	65L0805104 32	CHIP 0.1UF 50V X7R	1	PCS
C217	65L0805104 32	CHIP 0.1UF 50V X7R	1	PCS

C226	65L0805104 32	CHIP 0.1UF 50V X7R	1	PCS
C227	65L0805104 32	CHIP 0.1UF 50V X7R	1	PCS
C229	65L0805104 32	CHIP 0.1UF 50V X7R	1	PCS
C235	65L0805104 32	CHIP 0.1UF 50V X7R	1	PCS
C240	65L0805104 32	CHIP 0.1UF 50V X7R	1	PCS
C243	65L0805104 32	CHIP 0.1UF 50V X7R	1	PCS
C245	65L0805104 32	CHIP 0.1UF 50V X7R	1	PCS
C246	65L0805104 32	CHIP 0.1UF 50V X7R	1	PCS
C247	65L0805104 32	CHIP 0.1UF 50V X7R	1	PCS
C907	65L0805104 32	CHIP 0.1UF 50V X7R	1	PCS
C909	65L0805104 32	CHIP 0.1UF 50V X7R	1	PCS
C926	65L0805104 32	CHIP 0.1UF 50V X7R	1	PCS
C927	65L0805104 32	CHIP 0.1UF 50V X7R	1	PCS
C929	65L0805104 32	CHIP 0.1UF 50V X7R	1	PCS
C213	65L0805105 22	CHIP 1UF 25V X7R 0805	1	PCS
C219	65L0805105 22	CHIP 1UF 25V X7R 0805	1	PCS
C222	65L0805105 22	CHIP 1UF 25V X7R 0805	1	PCS
C232	65L0805152 22	CHIP 0.005UF 25V X7R 08	1	PCS
C220	65L0805221 32	CHIP 220PF 50V X7R 0805	1	PCS
C224	65L0805222 22	0805 2200PF +-10% 25V X	1	PCS
C244	65L0805225 27	2.2UF	1	PCS
C216	65L0805332 32	3200PF/25V/X7R	1	PCS
C242	65L0805332 32	3200PF/25V/X7R	1	PCS
C215	65L0805471 21	CHIP 470PF 25V NPO	1	PCS
C241	65L0805471 21	CHIP 470PF 25V NPO	1	PCS
C930	65L0805471 21	CHIP 470PF 25V NPO	1	PCS
C228	65L0805472 32	4700PF/50V/0805/X7R	1	PCS
C214	65L0805473 32	CHIP 0.047UF 50V X7R	1	PCS
C230	65L0805473 32	CHIP 0.047UF 50V X7R	1	PCS
C221	65L0805474 22	CHIP 0.47UF 25V X7R 080	1	PCS
C203	65L1206225 22	2.2UF 25V X7R 1206	1	PCS
C206	65L1206225 22	2.2UF 25V X7R 1206	1	PCS
C207	65L1206225 22	2.2UF 25V X7R 1206	1	PCS
C231	65L1206225 22	2.2UF 25V X7R 1206	1	PCS
C233	65L1206225 22	2.2UF 25V X7R 1206	1	PCS
C234	65L1206225 22	2.2UF 25V X7R 1206	1	PCS
D208	93L 6432V	LL4148-GS08	1	PCS
D211	93L 6432V	LL4148-GS08	1	PCS
D212	93L 6432V	LL4148-GS08	1	PCS
D213	93L 6432V	LL4148-GS08	1	PCS

D214	93L 6432V	LL4148-GS08	1	PCS
D903	93L 6432V	LL4148-GS08	1	PCS
D904	93L 6432V	LL4148-GS08	1	PCS
D201	93L 6433G	BAV99-SMT	0	PCS
D202	93L 6433G	BAV99-SMT	0	PCS
D203	93L 6433G	BAV99-SMT	0	PCS
D204	93L 6433G	BAV99-SMT	0	PCS
D206	93L 6433G	BAV99-SMT	0	PCS
D207	93L 6433G	BAV99-SMT	0	PCS
D209	93L 6433G	BAV99-SMT	0	PCS
D210	93L 6433G	BAV99-SMT	0	PCS
D201	93L 6433P	BAV99	1	PCS
D202	93L 6433P	BAV99	1	PCS
D203	93L 6433P	BAV99	1	PCS
D204	93L 6433P	BAV99	1	PCS
D206	93L 6433P	BAV99	1	PCS
D207	93L 6433P	BAV99	1	PCS
D209	93L 6433P	BAV99	1	PCS
D210	93L 6433P	BAV99	1	PCS
ZD904	93L 39S 16 T	SML4737A/1	0	PCS
ZD904	93L 39S 19 T	PTZ7.5B	1	PCS
ZD901	93L 39S 20 T	RLZ22B BY ROHM	1	PCS
ZD901	93L 39S 23 T	PLZ22B	0	PCS
ZD201	93L 39S 24 T	RLZTE-115.6B ROHM	1	PCS
ZD202	93L 39S 24 T	RLZTE-115.6B ROHM	1	PCS
ZD203	93L 39S 24 T	RLZTE-115.6B ROHM	1	PCS
-----	-----	-----	-----	----
PARENT	NO : PWPC1742HDH2AI	POWER BOARD		
-----	-----	-----	-----	----
CN901	6L 31500	EYELET	3	PCS
C904	6L 31502	1.5MM RIVET	2	PCS
L901	6L 31502	1.5MM RIVET	4	PCS
NR901	6L 31502	1.5MM RIVET	2	PCS
PT201	6L 31502	1.5MM RIVET	2	PCS
PT202	6L 31502	1.5MM RIVET	2	PCS
T901	6L 31502	1.5MM RIVET	4	PCS
	715L1236 2QDI	POWER PCB	1	PCS
J903	95L 90 23	TIN COATED	0	PCS
J904	95L 90 23	TIN COATED	0	PCS
J905	95L 90 23	TIN COATED	0	PCS

J906	95L 90 23	TIN COATED	0	PCS
J907	95L 90 23	TIN COATED	0	PCS
J908	95L 90 23	TIN COATED	0	PCS
J909	95L 90 23	TIN COATED	0	PCS
J910	95L 90 23	TIN COATED	0	PCS
J912	95L 90 23	TIN COATED	0	PCS
J913	95L 90 23	TIN COATED	0	PCS
J914	95L 90 23	TIN COATED	0	PCS
J916	95L 90 23	TIN COATED	0	PCS
J917	95L 90 23	TIN COATED	0	PCS
J918	95L 90 23	TIN COATED	0	PCS
J919	95L 90 23	TIN COATED	0	PCS
J921	95L 90 23	TIN COATED	0	PCS
J925	95L 90 23	TIN COATED	0	PCS
J928	95L 90 23	TIN COATED	0	PCS
J929	95L 90 23	TIN COATED	0	PCS
J930	95L 90 23	TIN COATED	0	PCS
J933	95L 90 23	TIN COATED	0	PCS
J934	95L 90 23	TIN COATED	0	PCS
J935	95L 90 23	TIN COATED	0	PCS
J936	95L 90 23	TIN COATED	0	PCS
J937	95L 90 23	TIN COATED	0	PCS
J938	95L 90 23	TIN COATED	0	PCS
J939	95L 90 23	TIN COATED	0	PCS
J940	95L 90 23	TIN COATED	0	PCS
J941	95L 90 23	TIN COATED	0	PCS
J942	95L 90 23	TIN COATED	0	PCS
J943	95L 90 23	TIN COATED	0	PCS
J944	95L 90 23	TIN COATED	0	PCS
J945	95L 90 23	TIN COATED	0	PCS
R922	61L 21033352T	33K 1/6W 1%	1	PCS
R923	61L 21036252T	3.6K 1/6W 1%	1	PCS
R292	61L 60222052T	CFR 22 OHM+-5% 1/6W	1	PCS
R221	61L 60233352T	33KOHM 1% 1/6W	1	PCS
R920	61L175L47052T	47OHM +-5% 1/2W	1	PCS
R921	61L175L47052T	47OHM +-5% 1/2W	1	PCS
R208	61L212Y625 KT	6.2M 3KV KAMAYA	1	PCS
ZD902	93L 39 7152T	HZ15-1	1	PCS
ZD903	93L 3951352T	HZ6C2	1	PCS
IC903	56L 158 10 T	AZ431AZ-A TO-92	1	PCS

Q902	57L 419 PP T	2PC945P	1	PCS
Q901	57L 420 PP T	2PA733P	1	PCS
C905	65L 1K222 2T	0.0022UF 1KV +-10%	1	PCS
C920	65L517K102 5T	1000PF 10% Y5P 500V	1	PCS
C921	65L517K102 5T	1000PF 10% Y5P 500V	1	PCS
C906	67L 305220 7T	22UF +-20% 50V	1	PCS
C924	67L215B4713HT	470UF 16V LTR471M1CF11V	1	PCS
C925	67L215B4713HT	470UF 16V LTR471M1CF11V	1	PCS
C924	67L215B4713KT	LOW ESR 470UF16V BY HER	0	PCS
C925	67L215B4713KT	LOW ESR 470UF16V BY HER	0	PCS
C201	67L215C4713KT	470UF/16V	1	PCS
C225	67L215C4713KT	470UF/16V	1	PCS
C931	67L215L1007KT	10UF 50V	1	PCS
F901	84L 56 1	FUSE 2A 250V WICKMANN	1	PCS
-----	-----	-----	-----	----
PARENT	NO : 705L 780 61 04	R224 ASS'Y		
-----	-----	-----	-----	----
R224	61L212Y625 KT	6.2M 3KV KAMAYA	1	PCS
	96L 29 1	SHRINK TUBE UL/CSA	30	MM
-----	-----	-----	-----	----
PARENT	NO : 705L 780 93 09	D910/D911		
-----	-----	-----	-----	----
	51L 200 1	散热油	2	G
	90L6064 1	HEAT SINK	1	PCS
D911	93L 60237	SRF20100C	1	PCS
D910	93L 60245	SP10150	1	PCS
	M1L1730 8128	SCREW M3x8	2	PCS
-----	-----	-----	-----	----
PARENT	NO : 705L780KP87 HP	AC INPUT ASS'Y		
-----	-----	-----	-----	----
	CNPC780HP	CONVERSION BOARD FOR T7	1	PCS
	15L8010 1	AC SUPPORT BRACKET	1	PCS
	52L6025 11552	MYLAR	1	PCS
	87L 501 13 CJ	AC SOCKET ASS'Y	0	PCS
	87L 501 13 RF	AC SOCKET	1	PCS
	95L205S354022	HARNESS	1	PCS
	95L8021 2505	WIRE HARNESS	1	PCS
	96L 29 6	SHRINK TUBE UL/CSA	60	MM
	M1L 330 4128	SCREW M3X4	1	PCS
-----	-----	-----	-----	----

PARENT	NO :CNPC780HP	CONVERSION BOARD FOR T80		
-----	-----	-----	-----	----
	CNPC780HPAI	CNPC BOARD	1	PCS
J1	88L 30213S	PHONE JACK 3P GREEN	1	PCS
JP1	95L8014 3504	CNPC HARNESS	1	PCS
-----	-----	-----	-----	----
PARENT	NO :CNPC780HPAI	CNPC BOARD		
-----	-----	-----	-----	----
	715L1313 1	CNPC BOARD	1	PCS
C001	65L 44212113T	120PF/50V	1	PCS
C002	65L 44212113T	120PF/50V	1	PCS
-----	-----	-----	-----	----
PARENT	NO : 705L780KP34 H3	支架组件		
-----	-----	-----	-----	----
	12L 394 4	RUBBER FOOT	6	PCS
	15L8007 1	BASE BRACKET	1	PCS
	33L4595 FE L	POWER COVER	1	PCS
	33L4597 FE L	OSD BUTTON	1	PCS
	33L4598 1	POWER LENS	1	PCS
	33L4640 A7 L	POWER KNOB	1	PCS
	34L1314 EY B	BASE	1	PCS
	34L1315AA5 B	BEZEL	1	PCS
	37L6014 GC A	HINGE	1	PCS
	78L 329 1 VL	SPEAKER 4OHM	1	PCS
	78L 329 1 VR	SPEAKER 4OHM	1	PCS
	Q1L 130 6120	SCREW (T3X6)	8	PCS
	Q1L1030 8128	SCREW	4	PCS

**NOTE: L1702 mode (T780KKXHKHHPN) also use Hydix E13-100 panel, but the FP7317 mode(T780KKXHKHHPA) with audio, and L1702 model without audio.**