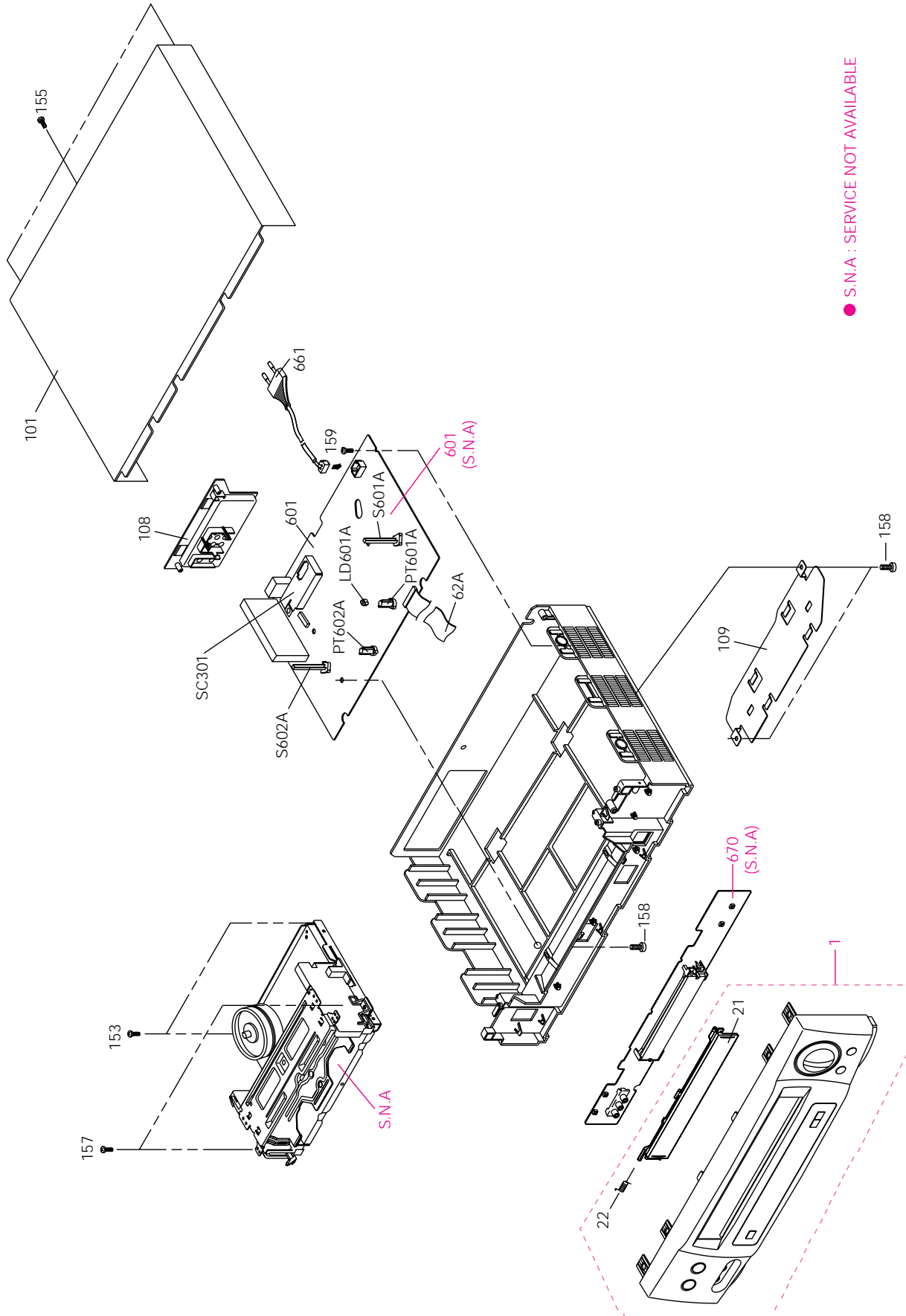

6. Exploded View and Parts List

	Page
6-1 Cabinet Assembly - - - - -	6-2
6-2 Mechanical Parts (Top Side) - - - - -	6-4
6-3 Mechanical Parts (Bottom Side) - - - - -	6-6
6-4 Housing Assembly - - - - -	6-8

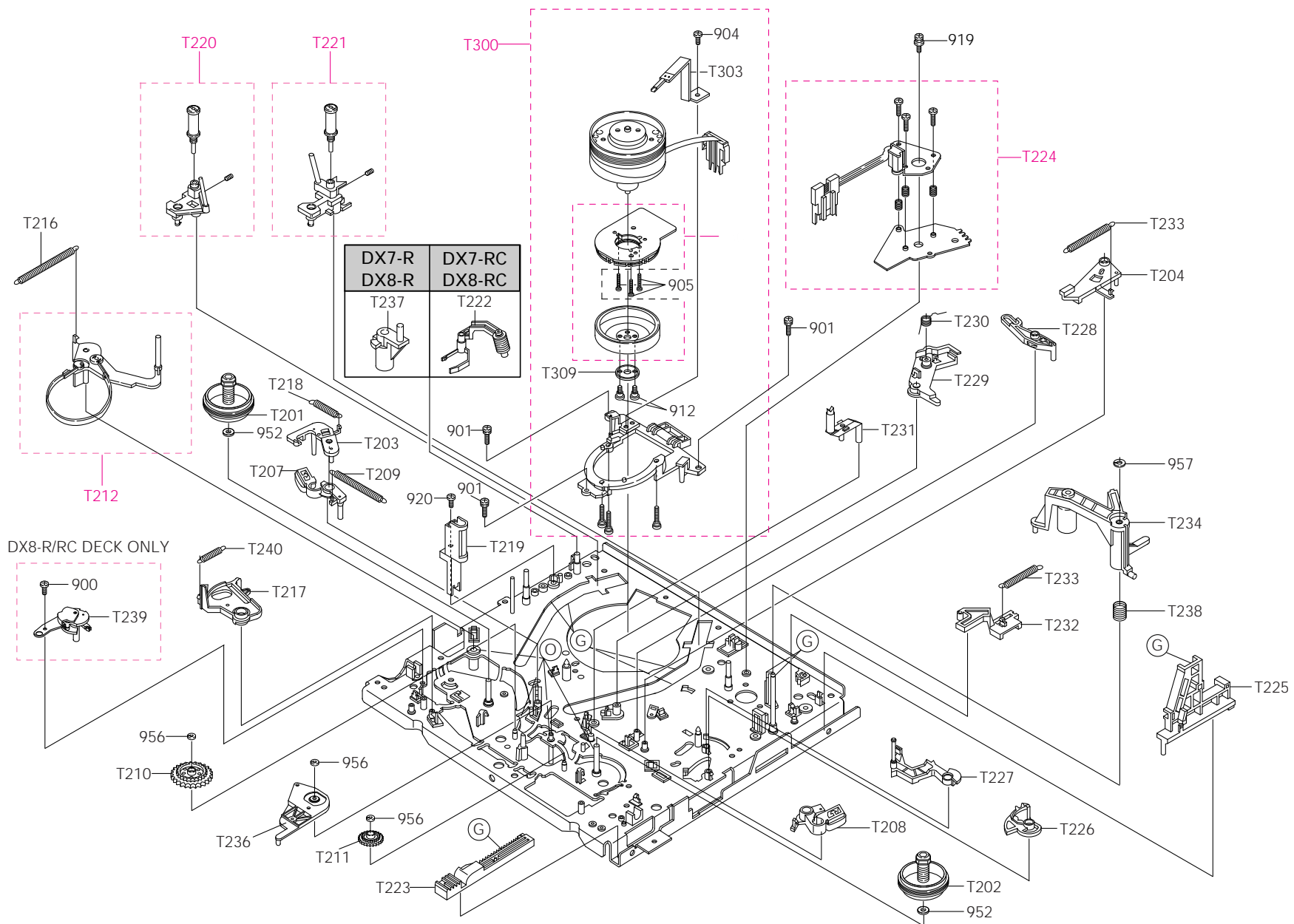
6-1 Cabinet Assembly



● S.N.A. : SERVICE NOT AVAILABLE

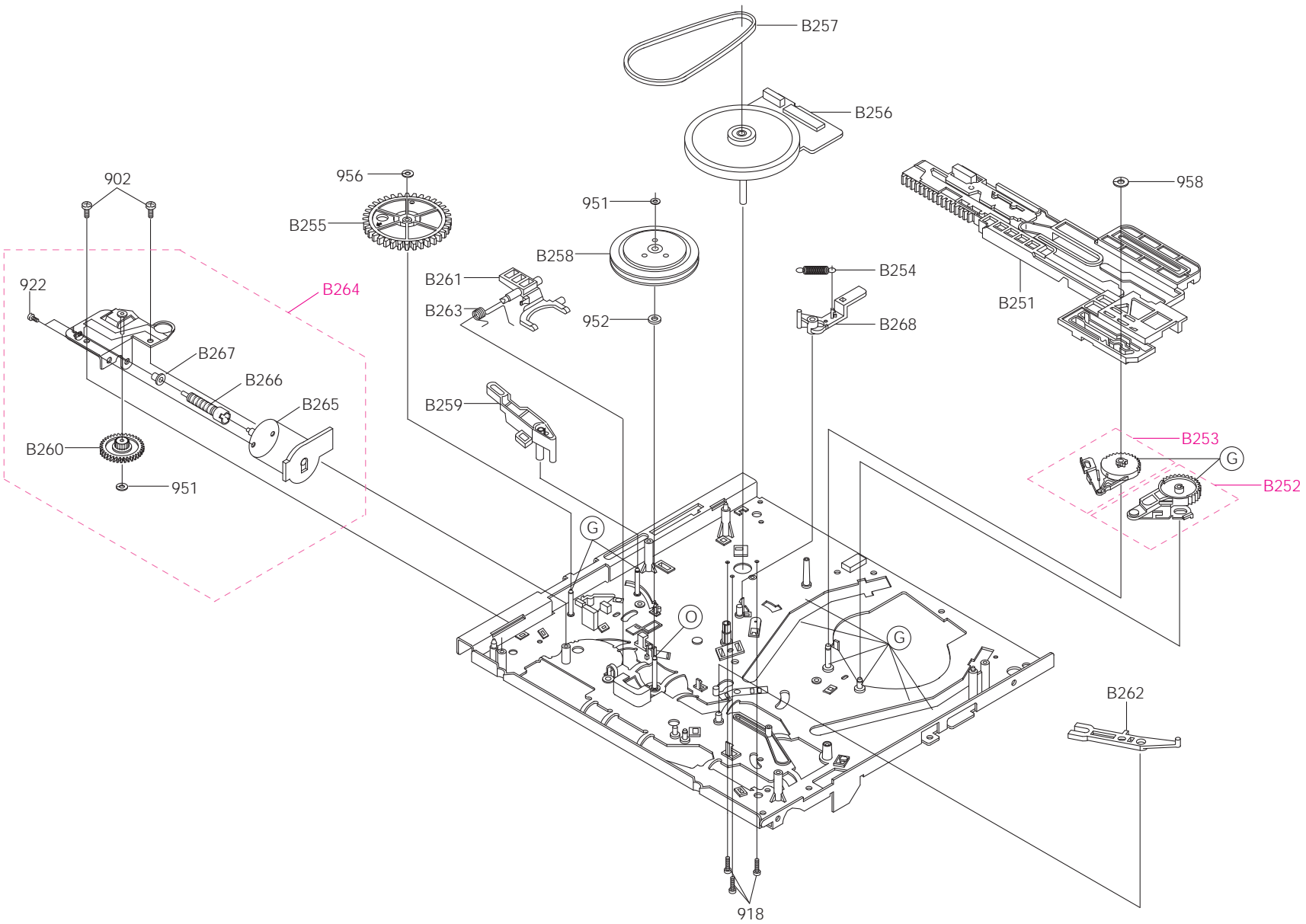
Loc. No	New Part No	Description and Specification	Remark
-	DO NOT ORDER	ASSY-FULL DECK (DX7-R)	(S.N.A)
1	AC98-11217U	ASSY-PANEL FRONT;SV-A35G/SV-C30G	SME LOCAL
	AC98-11217Y	ASSY-PANEL FRONT;SV-A13G	SME LOCAL
21	AC64-50920A	DOOR-CASSETTE;SV-A35G/SV-C30G	SME LOCAL
	AC64-50920B	DOOR-CASSETTE;SV-A13G	SME LOCAL
22	AC61-62003A	SPRING;-;SUS304,(GE/RCA),-,-,-,-	SME LOCAL
101	AC64-30838A	CABINET-TOP;SP-A12T,SECC,PCM,0.625,360*255	
	AC64-30831A	CABINET-TOP;-;HIPS,V2,T2,360*255*41,GRAY,-	
108	AC61-11004A	CONNECTOR BOARD-ASSY;SV-A35G/SMR,HIPS94,HB,T2.5,	SME LOCAL
109	AC63-30514A	COVER-BOTTOM;SV-A120U,SECC,-,T0.5,-,-,-,-	
153	AC60-12126A	SCREW-BH;-;BH,-,4*12,FE,FZY,-,-,-	
155	AC60-12134A	SCREW-TAP BH;-;BH,-,2-4X16,-,FE	
157	AC60-10063A	SCREW-TAPTITE;BH,+,-,M3,L12,ZPC3,SWRCH18A	
158	AC60-10063A	SCREW-TAPTITE;BH,+,-,M3,L12,ZPC3,SWRCH18A	
159	A0102-0033	SCREW-TAP TITE;BH M4 10 SWRCH18A ZPC3 BLK TB	
601	DO NOT ORDER	ASSY-MAIN	(S.N.A)
661	AC39-10019A	POWER CORD;KKP-419C,H03VVH2-F,VDE/KEMA-KE	SME LOCAL
	AC39-10200A	POWER-CORD;TSE BUYER ONLY	SME LOCAL
670	DO NOT ORDER	ASSY F/TIMER	(S.N.A)
CN62A	3809-001051	CABLE-FLAT;30V,80C,100MM,12P,1.25MM,UL289	
LD601A	AC61-22345A	HOLDER-LED;POM,-,-,-,-,-	SME LOCAL
PT601A	AC61-22344A	HOLDER-PHOTO;POM,-,-,-,-,-	SME LOCAL
PT602A	AC61-22344A	HOLDER-PHOTO;POM,-,-,-,-,-	SME LOCAL
S601A	AC61-22321A	HOLDER-TR;POM,-,-,-,-,-	SME LOCAL
S602A	AC61-22321A	HOLDER-TR;POM,-,-,-,-,-	SME LOCAL
SC301	AC98-12023J	ASSY-SH/CASE TOP;SV-A140F,IS-PAL ASSY S/C TOP	SME LOCAL

6-2 Mechanical Parts (Top Side)



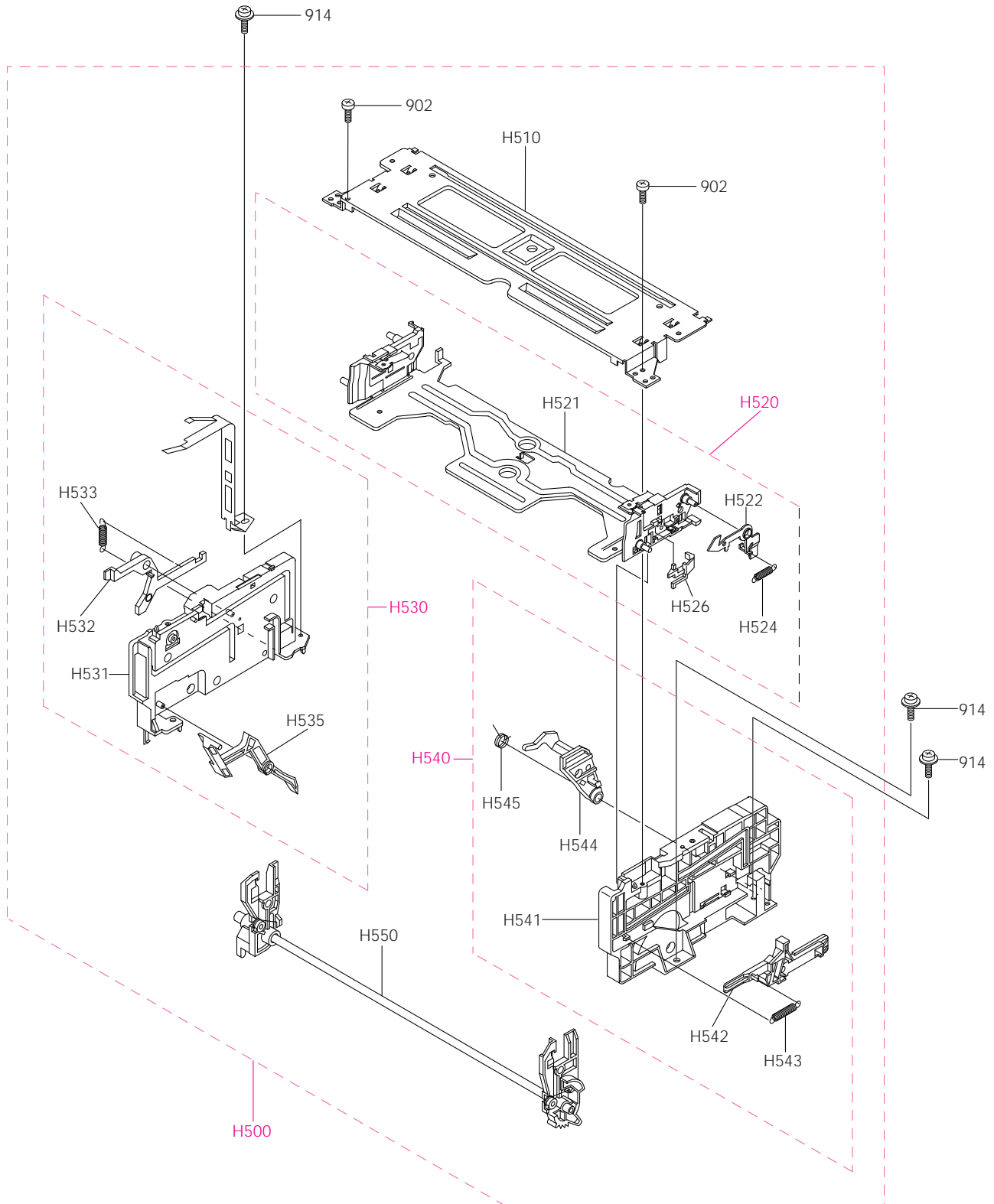
Loc. No	New Part No	Description and Specification	Remark
900	AC60-12091A	SCREW-MACHINE;FP,BH,-,M3,L4,SWRCH10A,YEL ROB	
901	AC60-10012A	SCREW-MACHINE;BH,+,M3,L8,-,FE,-,-,-	
904	AC60-12125A	SCREW-PH;-,-,-,M3X6 TAP TITE,-,-,-,-,-	
905	AC60-12096A	SCREW-MACHINE;FP,PH,-,M2.6,X10,SWRCH1-A,YEL	
912	67094-604-710	SCREW-DAMPER;M2.0X7.0 SWCM 10(MFZN2-C)	
919	AC60-10004A	SCREW-MACHINE;BH,+,M3,L8,ZPC,SWRCH18A,-,-,-	
920	AC60-10007A	SCREW-TAPPING;BH,+,M2.6,L12,-,SWRCH18A,-,-,-	
952	AC60-30018A	WASHER-PLAIN;PLAIN,M3.2,D6,T0.5,POLYSLIDER,	
956	AC60-30007A	WASHER-SLIT;PLAIN,ID2.5,OD7,T0.5,SPC1,-,-	
957	AC60-30008A	WASHER-SLIT;-,ID3.5,OD9,T0.5,SPC1,-,-	
T201	AC66-10023A	REEL-DISK L ASSY;POM,-,PACKAGE,X-5,-	
T202	AC66-10022A	REEL-DISK R (ASSY);POM,-,PACKAGE,X-5,-	
T203	AC66-30474A	BRAKE-SUB L;-,-,PBT,-,-,-,X-5/IS	
T204	AC66-30148A	BRAKE SUB R-ASSY;PBT,-,-,-,X5,-	
T207	AC66-30475A	BRAKE-MAIN L ASS'Y;-,-,POM+PELT,-,-,-,X-5/IS	
T208	AC66-30476A	BRAKE-MAIN R ASS'Y;-,-,POM+PELT,-,-,-,X-5/IS	
T209	AC61-60112A	SPRING- BRAKE MAIN;ES,SUS304WPB,PI0.35,ID2.8,OD4.	
T210	AC66-20073A	GEAR RELAY S-ASSY;-,-,PEBAX,M0.5,M48,SP,X5,-	
T211	AC66-20037A	GEAR- RELAY T;PEBAX7033,X-5,Z39,GEAR-SPUR,D1	
T212	AC66-30073A	ARM-TENSION ASSY;-,-,-,CKD,DX5-R,-	
T216	AC61-60119A	SPRING TENSION;ES,SWPB,PI0.35,ID2.1,L33(OD3.8),-	
T217	AC66-30470A	LEVER-REC S/W;-,-,PBT #3300,T4.0,L32,-,(X-5/IS	
T218	AC61-62017A	SPRING-SUB BRAKE L;ES,SUS304,PI0.23,D3.5,L14.8,-,	
T219	AC33-10003P	HEAD- MAGNET F/E;MH131S,-,-,-,L51.05XW7.4XH12.3	
T220	AC66-82050A	SLIDER-G/R ASSY(S);-,-,-,-,X-5	
T221	AC66-82059A	SLIDER-G/R ASSY T;-,-,-,-,X-7(VW-31H)	
T222	AC33-10002E	HEAD-CLEANER;-,-,-,-,X-5	(OPTIONAL)
T223	AC66-20065A	RACK-HOUSING;L74.29,POM M90-44,BLK,M1,3.14,	
T224	AC33-10215A	HEAD-ACE ALL ASSY;-,-,X-7,-,-,-	
T225	AC66-80005A	SLIDER-PINCH;POM(M90-44),T2,L54.35,NAT,DX-5	
T226	AC66-30014A	LEVER-REVIEW;ZYTEL(70G-43L),T3.8,-,PCD25.6,	
T227	AC66-30099A	ARM REVIEW CKD;-,-,-,-,DX5-RV,-	
T228	AC66-30013A	LEVER-PINCH CAM;PBT 6300T,-,L45,W9,X-5,-	
T229	AC66-30003A	LEVER PINCH COUP;PBT 3300,T7.5,L45.25,-,-,X-5	
T230	AC61-60116A	SPRING- PINCH COMP;TS,SWPB,PI1.0,D6,L38(OD8),-	
T231	AC67-32001A	PRISM-LED;PMMA,D5,IF-850,-,-,-	
T232	AC66-82049A	SLIDER-PUSH;LUPOX 2150,T2,-,NTR,-	
T233	AC61-62016A	SPRING-SLIDE PUSH;ES,SUS304WPB,PI0.55,D3.55,L24.	
T234	AC59-90001B	UNIT-PINCH ROLLER;X-5,-,YAMAUCHI	
T236	AC66-10010A	IDLER-ASSY;PACKAGE,-,X-5,-	
T237	AC61-40054A	STOPPER-TAPE;POM M90-44,OD7,T1.5,NTR,X-5,-	(OPTIONAL)
T238	AC61-60132A	SPRING ARM PINCH;CS,SUS304WPB,PI0.4,D7.1,OD7.9,	
T239	AC66-30132A	LEVER JOG-ASSY;-,-,-,-,X5,-	(DX8-R/RC ONLY)
T240	AC61-60505A	SPRING-REC S/W;-,-,ES,SUS304 WPB,PI0.29,PI3.5,-	
T300	AC96-10011L	ASSY-CYLINDER;CX5-S2P/DLC,-	2 HEAD ONLY
T302	AC31-12001M	MOTOR-CYLINDER;E20XL03,-,-	
T303	AC33-12004S	HEAD-BRUSH(ASSY);SECC20/20+CARBON,-,-,-,-	
T309	AC73-12001A	RETRINER-RUBBER(ASSY);SECC+SILICON,-,-,-	

6-3 Mechanical Parts (Bottom Side)



Loc. No	New Part No	Description and Specification	Remark
902	AC60-10051A	SCREW-TAPPING;BH,-,-,M3,L8,FZY	
918	AC60-10006A	SCREW-MACHINE;BH,+I90,M2.6,L7,ZPC,SWRCH18A,-	
922	67008-130-171	SCREW PH;+M3X3 FE FZY	
951	AC60-30025A	WASHER-SLIT;- ,ID2.5,OD5.0,T0.5,POLY SLIDE,	
952	AC60-30018A	WASHER-PLAIN;PLAIN,M3.2,D6,T0.5,POLYSLIDER,	
956	AC60-30007A	WASHER-SLIT;PLAIN,ID2.5,OD7,T0.5,SPC1,-,-	
958	AC60-30028A	WASHER-SLIT;- ,D2.5,D9.0,T0.5,NUMIRROR,-,-	
B251	AC66-80001A	SILDER- MAIN;PBT2002K,T12.4,L206.2,NAT,DX-5	
B252	AC66-20019A	GEAR-LOADING L ASSY;-,-,-,PACKAGE,-,X-5,-	
B253	AC66-20069A	GEAR LOADING R;-,-,-,-,X5,-	
B254	AC61-60115A	SPRING-BRAKE CAPSTAN;ES,SUS304WPB,PI0.4,D22,L16.1(
B255	AC66-20004A	GEAR-MASTER;POM (M90-44),M 1,Z 60,SP,-,X-5	
B256	AC31-12003A	MOTOR-D.D CAPSTAN;F2QTB26,250MAX,-	
B257	AC66-62007A	BELT-CAPSTAN;5CM-70 FR,W2 T2 L88.6,-,-,-,-,	
B258	AC66-20066A	CLUTCH-ASSY;-,-,-,-,X5,-	
B259	AC66-32185A	LEVER-SLIDER PINCH;PBT,T4,NAT,-,-,-	
B260	AC66-20016A	GEAR- WORM WHEEL;POM SW-01,M0.55/M1,Z57/Z10,GEA	
B261	AC66-30011A	LEVER- SHIFT;PBT2002K,T10.9,L35,-,-,-	
B262	AC66-30012A	LEVER- IDELR CHANGE;PBT330,T3.3,L50,-,W6.0,-	
B263	AC61-60111A	SPRING-LEVER SHIFT;TS,SWPB,PI0.7,D5.5,L13.8(OD6.9	
B264	AC59-90001A	UNIT-LOADING ASSY;X-5,-,-	
B265	66823-0060-00	MOTOR-LOADING ASSY;POM+RF370C X-5	
B266	AC66-20039A	GEAR- WORM LO;PBT 2002K,-,-,-,D4.5,3,-	
B267	AC61-20224A	HOLDER SHAFT;POM M90-44,T1.25,NAT,PI5XH5.5,	
B268	AC66-30149A	BRAKE CAPSTAN-ASSY;POM,-,-,-,X5,-	

6-4 Housing Assembly



Loc. No	New Part No	Description and Specification	Remark
902	AC60-10051A	SCREW-TAPPING;BH,-,-,M3,L8,FZY	
914	AC60-10067A	SCREW-TAPTITE;PWH,+,-,M3,L8,MFZN2-C,SWCH1018	
H500	AC61-82014D	HOUSING-ASSY;-;X7FL26280A,230X130X60,-,X-7	
H510	AC61-10006A	CHASSIS- UPPER;SECC 20/20,-,T1.0,BLK,-,X5,-	
H520	AC61-20932B	HOLDER-CASSETTE ASSY;-;X5FL06080A,-,-,-,X-7(CODO)	
H521	AC61-20922B	HOLDER-CASSETTE;-;SECC T1.2,-,NAT,-,X-7(CODO)	
H522	AC66-30018A	LEVER-LOCK R;SECC 20/20,T1.2,L44,W32,-,-	
H524	AC61-60121A	SPRING-LEVER LOCK;ES,SUS304 WPB,PI0.2,D2.6,L9.9(
H526	AC66-30019A	LEVER-KEY CASSETTE;LUCEL N109-LD,T2.5,L20,W15.2,-	
H530	62203-0105-00	CHASSIS-SIDE L(ASSY);ABS X5FL0505A X-5	
H531	AC61-10004A	CHASSIS- SIDE L;ABS HF-380,-,T10,BLK,-,X5,BLK	
H532	AC66-30004A	LEVER- LIGHT SHUTTER;LUCEL N109-LD,T2.5,L61.7,BLK,	
H533	AC61-60142A	SPRING- LIGHT;ES,SUS304WPB,PI0.2,L11.4(OD3.7	
H535	AC66-30017A	LEVER- DOOR;LUCELN109-LD,T5,L74.3,W21.1,-,	
H540	62203-0104-00	CHASSIS-SIDE R(ASSY);ABS X5FL0505A X-5	
H541	AC61-10003A	CHASSIS- SIDE R;ABS HF-380,-,T10,BLK,-,X5,BLK	
H542	AC66-80008A	SLIDER DAMPER;LUCEL N109-LD,T4,L87,-,-,-	
H543	AC61-60120A	SPRING-SLIDE DAMPER;ES,SUS 304WPB,PI0.4,D3.8,L25(O	
H544	AC66-30016A	LEVER- LID OPENER;LUCEL N109-LD,T5.0,L34.7,W16.6	
H545	AC61-60123A	SPRING-LID OPENER;TS,SWPB,PI0.55,D8.9,L15(OD10),	
H550	61403-0073-00	SHAFT-ARM(ASSY);SUM24L X5FL0405A X-5	

MEMO