



FIUS0801G130

- EN** USE AND CARE
- ES** EMPLEO Y MANUTENCION
- FR** UTILISATION ET ENTRETIEN



See separate insert sheet for more information

Voir la feuille séparée d'insertion pour plus d'information

Vea la hoja separada del separador de millares para más información

**2 YEARS\***

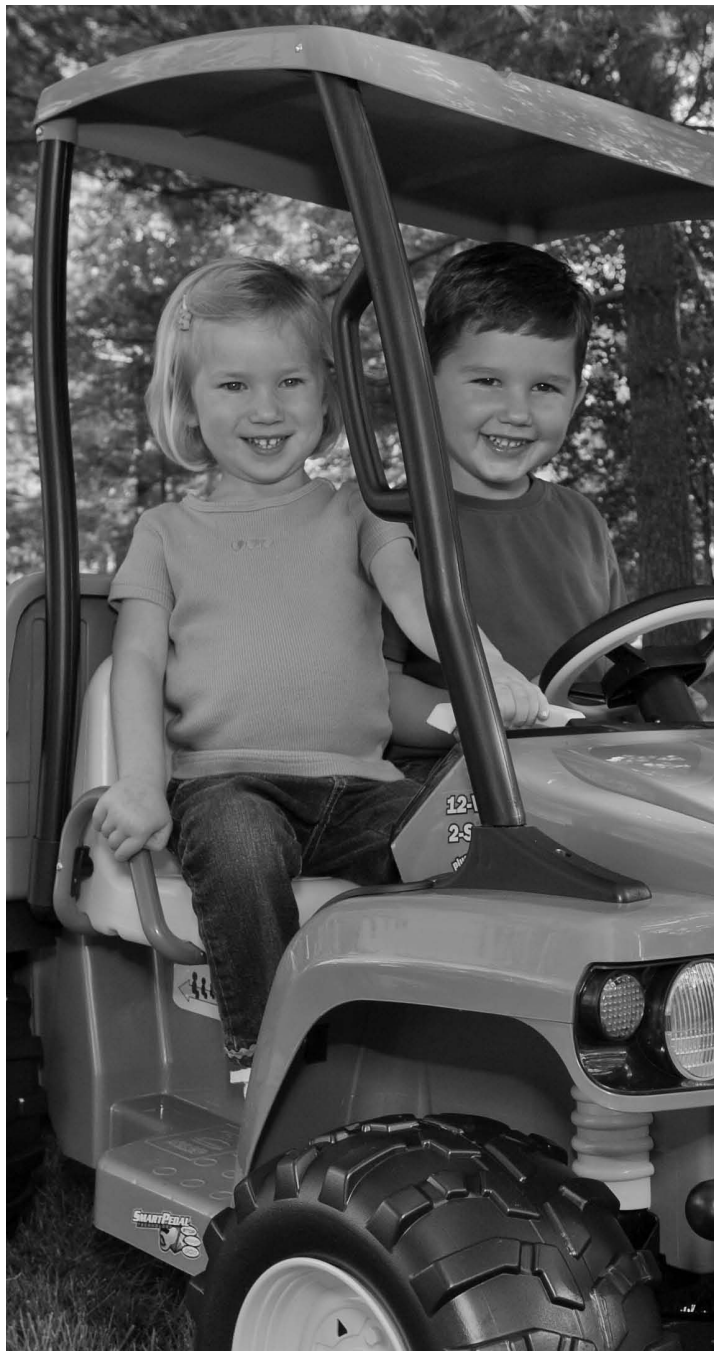
\*CONSUMER PARTICIPATION REQUIRED



For more information see Step 43  
Para más información vea el paso de progresión 43  
Pour plus d'information voir l'étape 43



**12V**



**JOHN DEERE**

**GATOR HPX SE**

Model Number IGOD0051

SEE VERBAL INSTRUCTIONS  
AFTER THE PICTURES

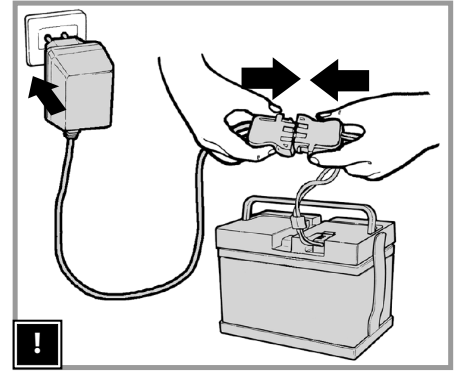
VER LAS INSTRUCCIONES  
DESPUÉS DE LOS DISEÑOS

VOIR LES INSTRUCTIONS  
APRÈS LES DESSINS

INITIAL BATTERY CHARGE

PRIMERA CARGA DE LA  
BATERÍA

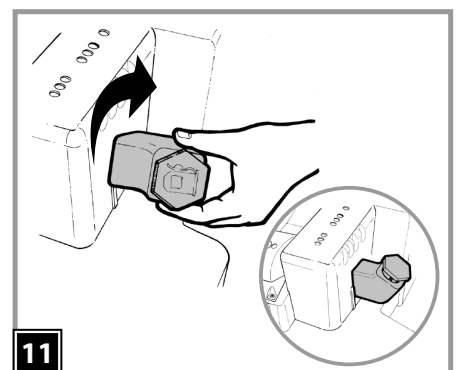
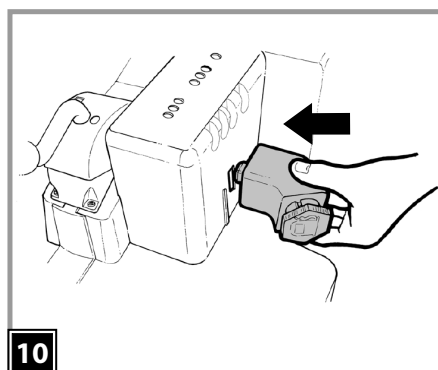
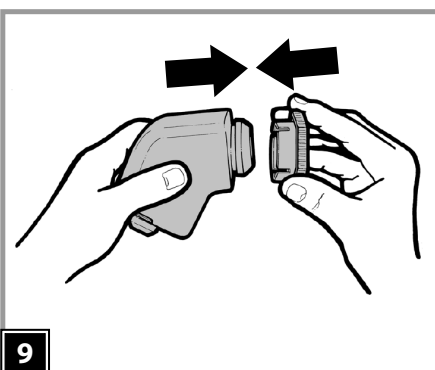
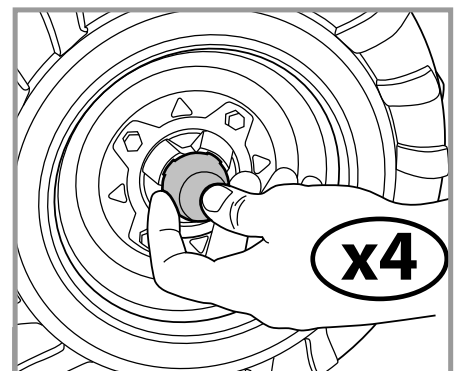
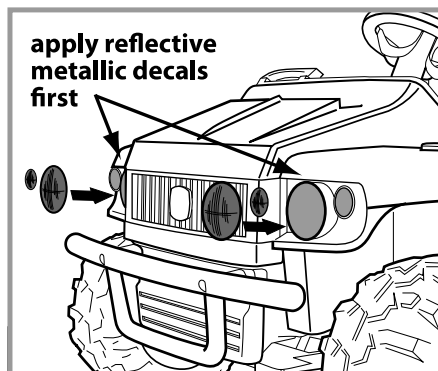
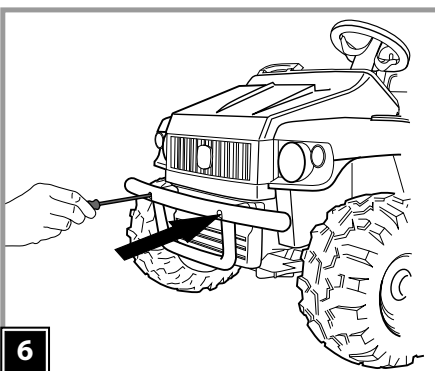
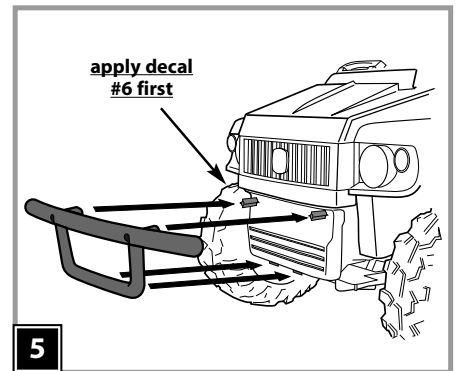
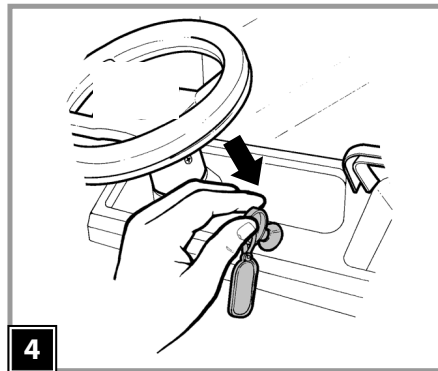
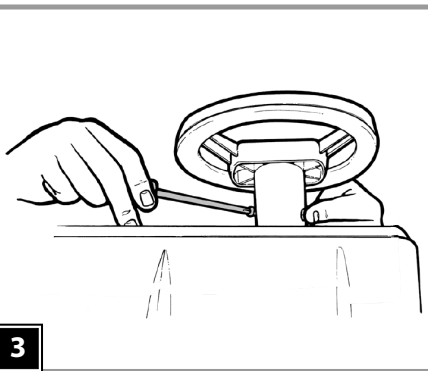
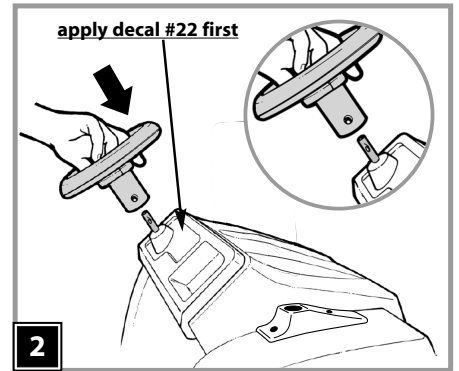
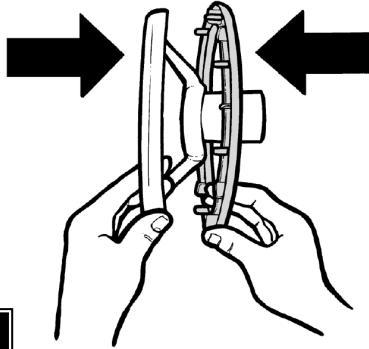
PREMIÈRE CHARGE DE  
BATTERIE

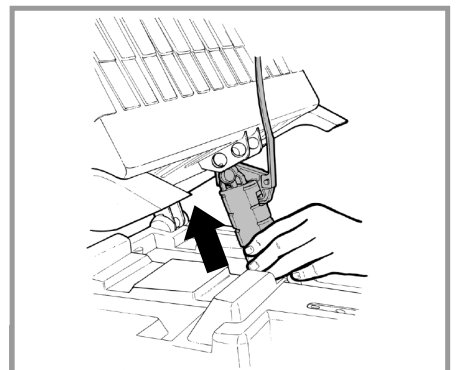
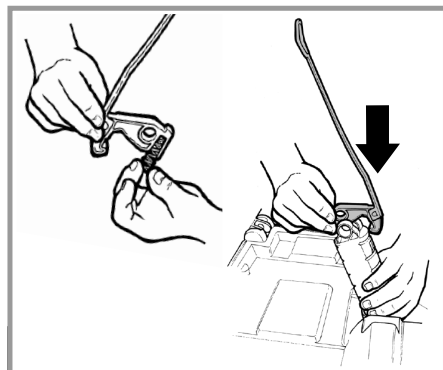
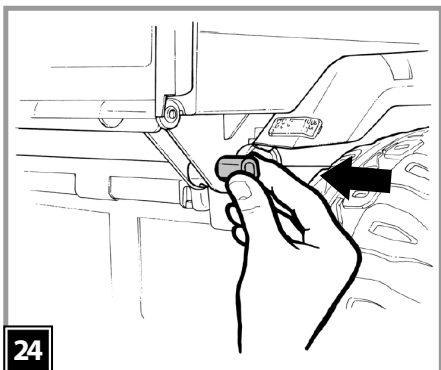
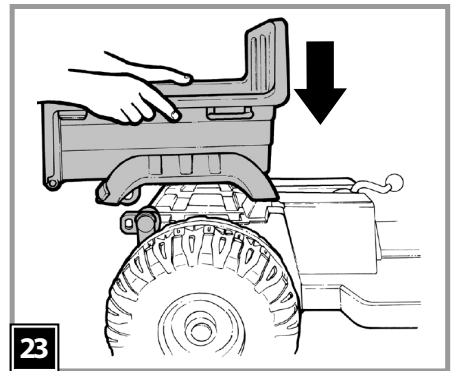
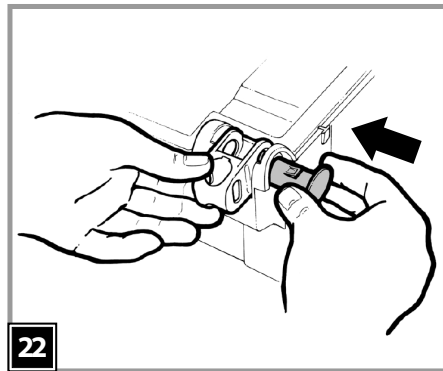
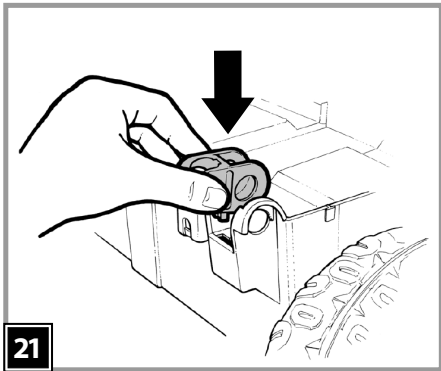
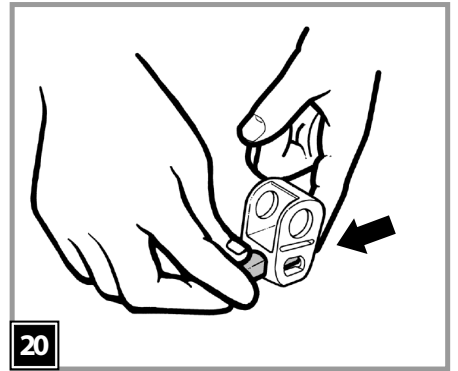
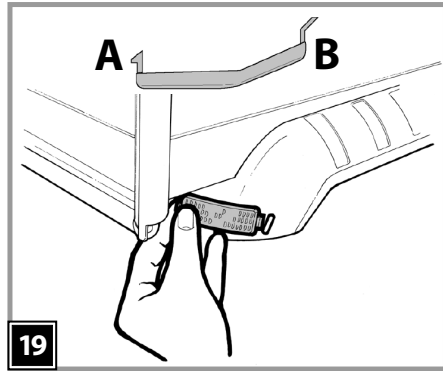
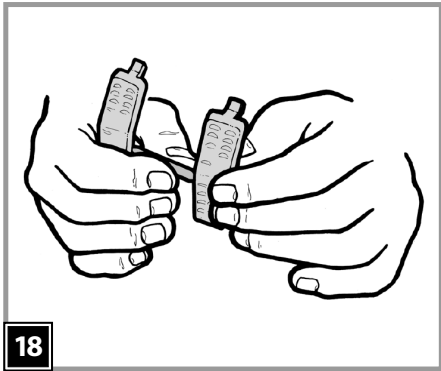
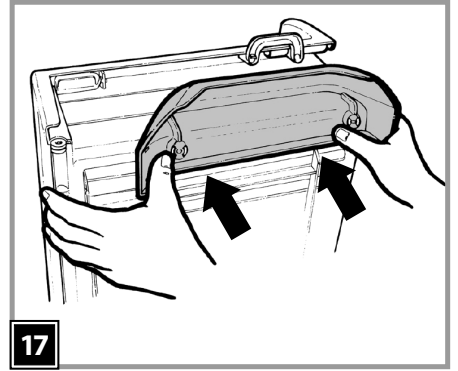
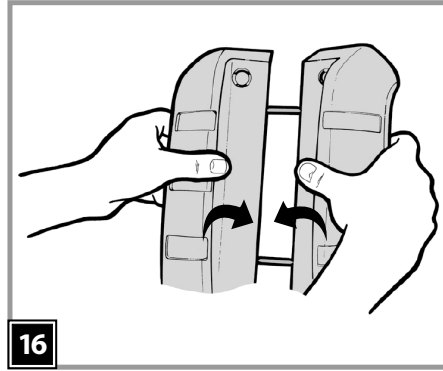
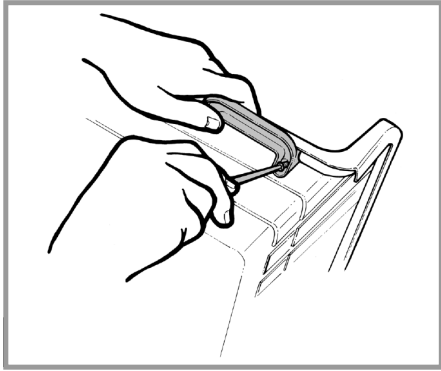
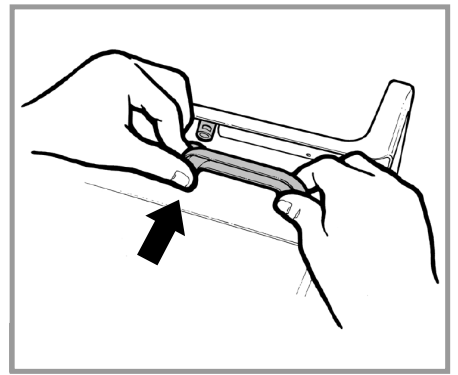
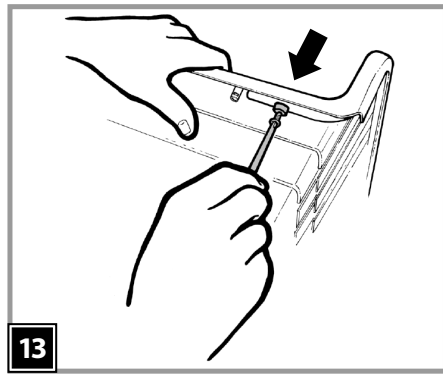
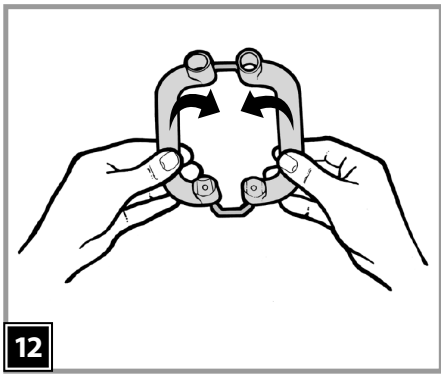


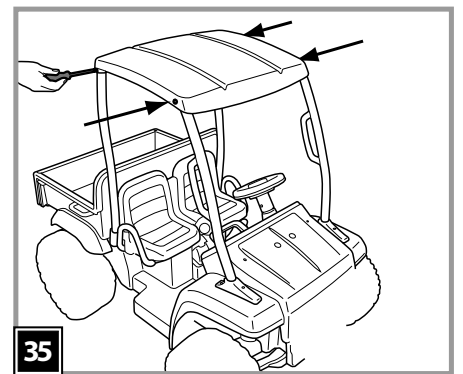
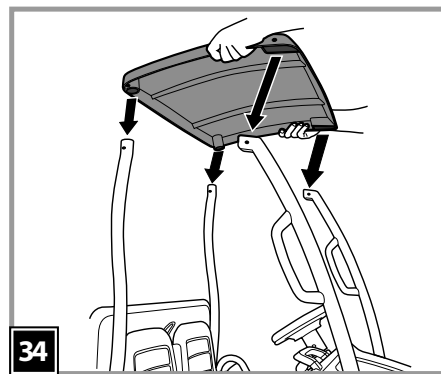
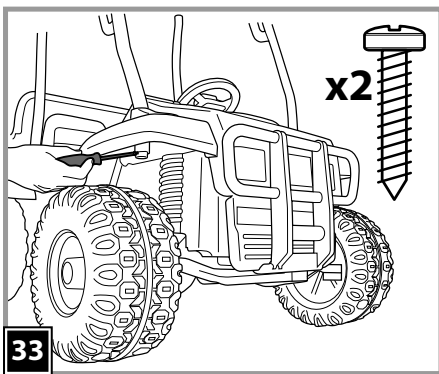
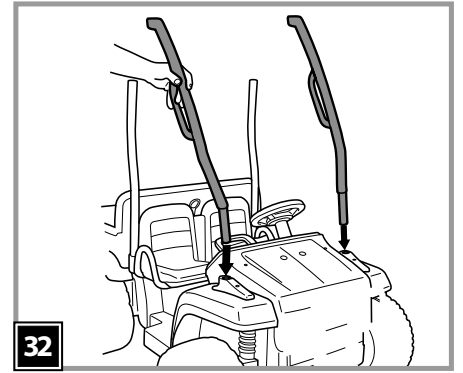
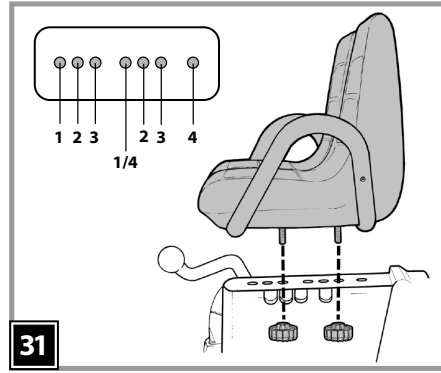
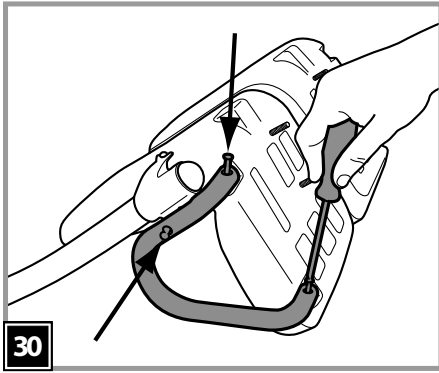
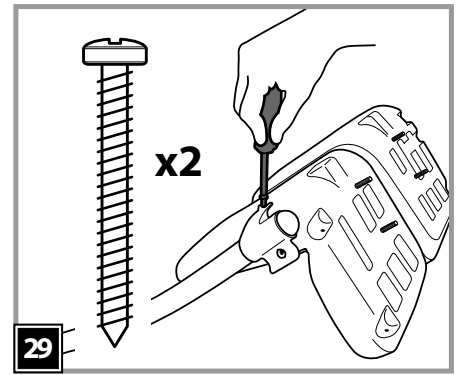
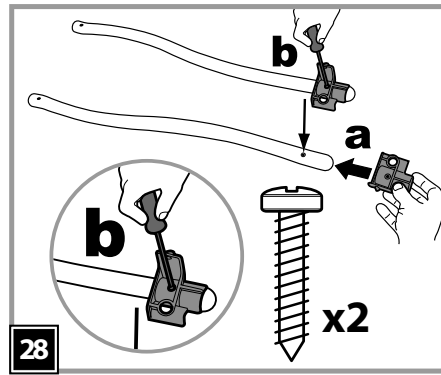
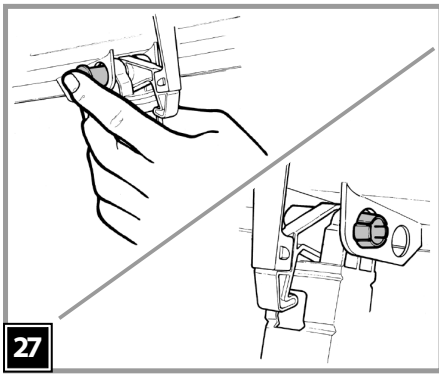
ASSEMBLY

MONTAJE

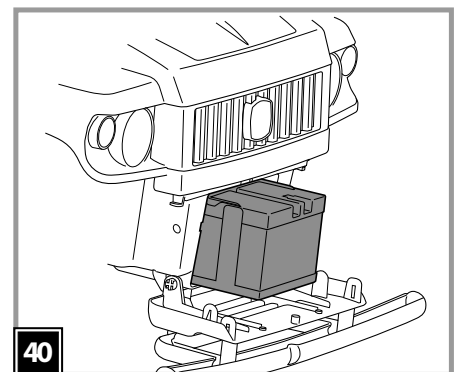
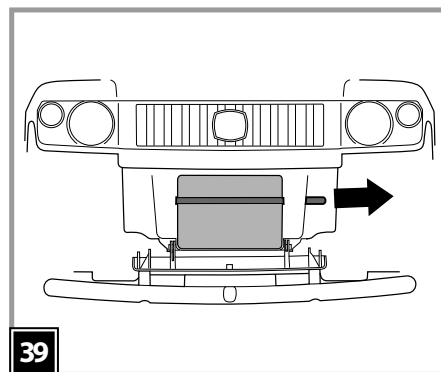
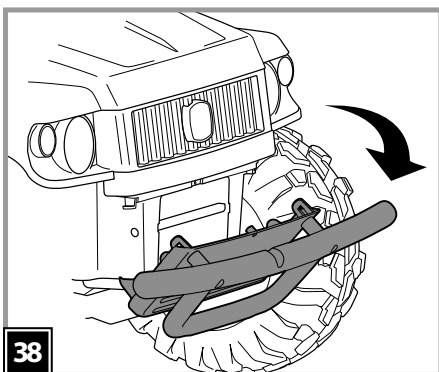
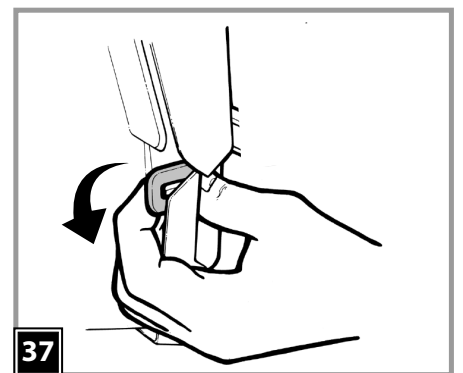
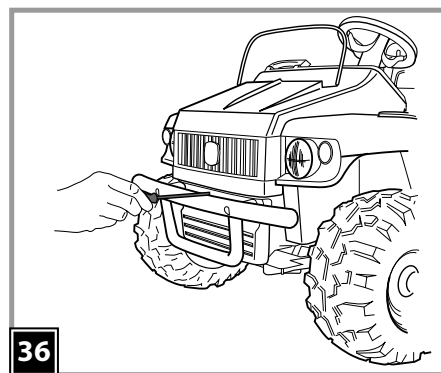
MONTAGE



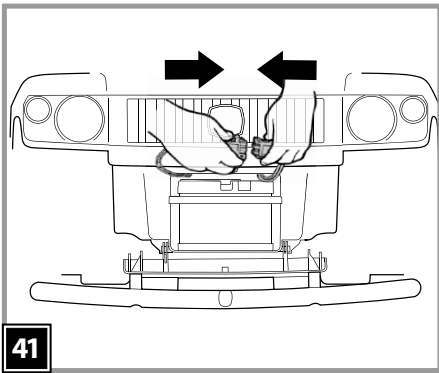




**BATTERY INSTALLATION**  
**INSTALACIÓN DE LA BATERÍA**  
**INSTALLATION DE LA BATTERIE**





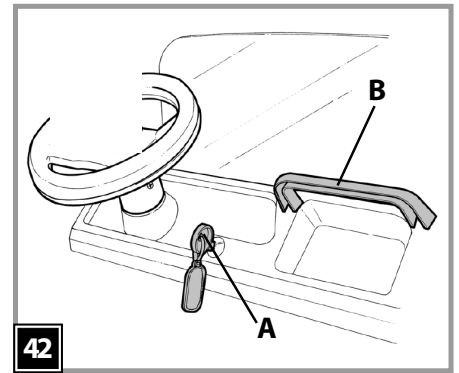


41

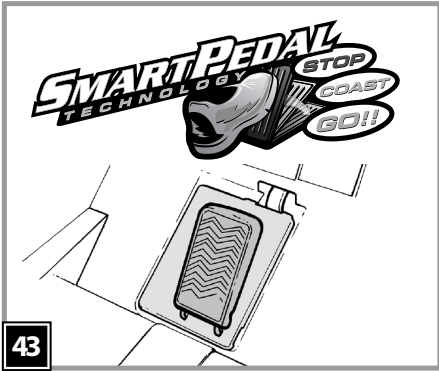
**VEHICLE FEATURES AND INSTRUCTIONS FOR USE**

**CARACTERÍSTICAS Y USO DEL VEHÍCULO**

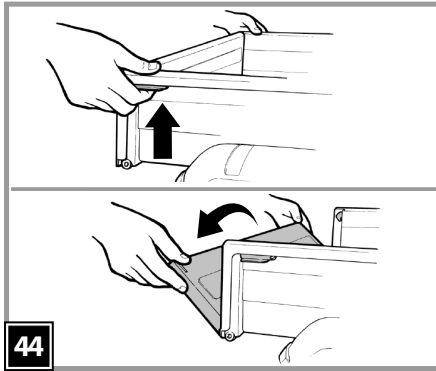
**CARACTÉRISTIQUES ET UTILISATION DU VEHICULE**



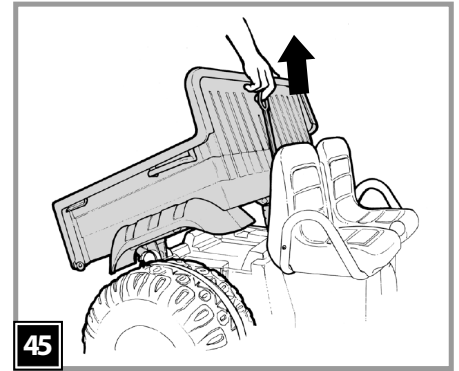
42



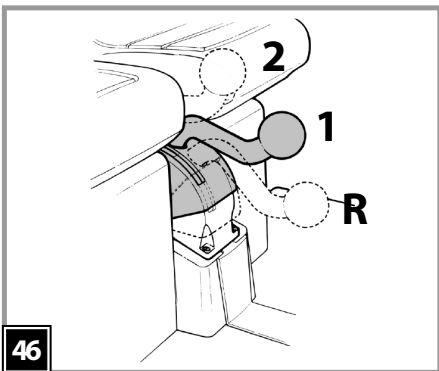
43



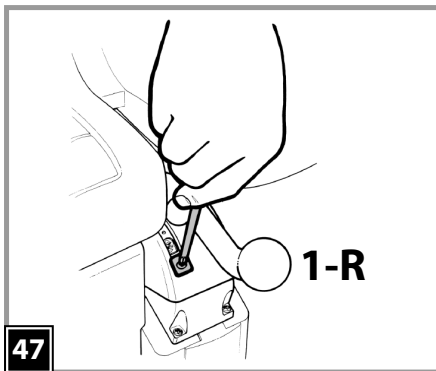
44



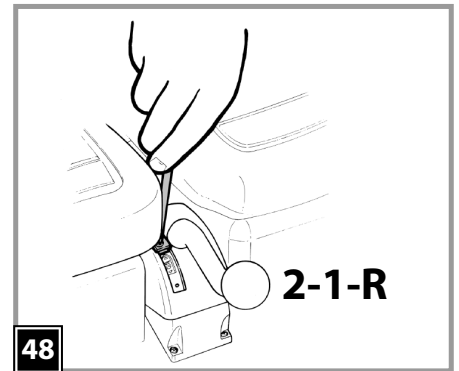
45



46



47

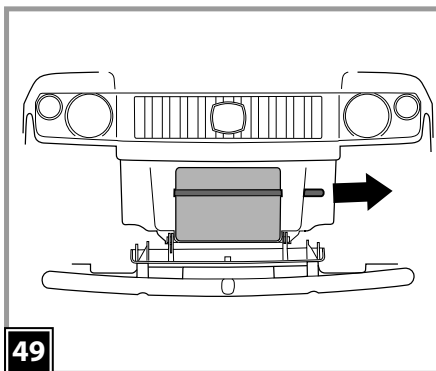


48

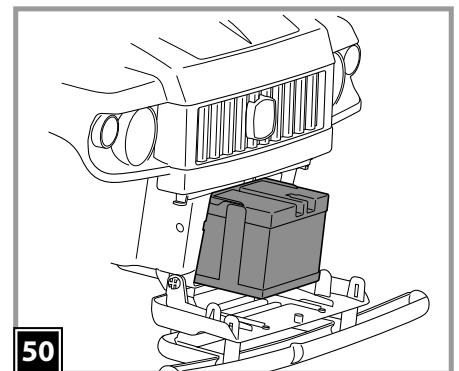
**BATTERY REPLACEMENT**

**CAMBIO DE LA BATERÍA**

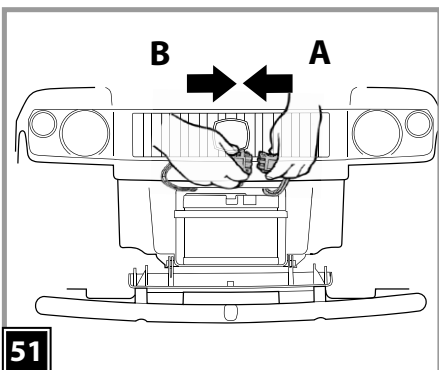
**REPLACEMENT DE LA BATTERIE**



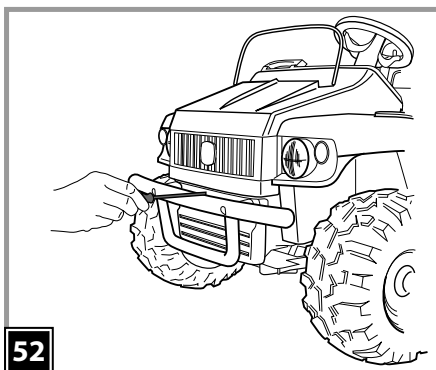
49



50



51

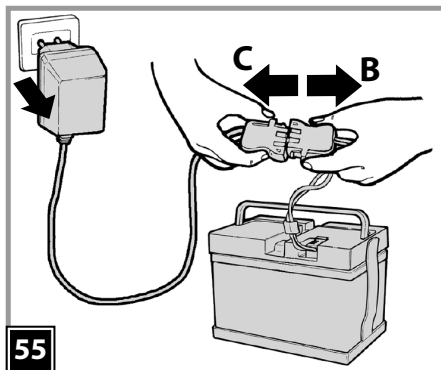
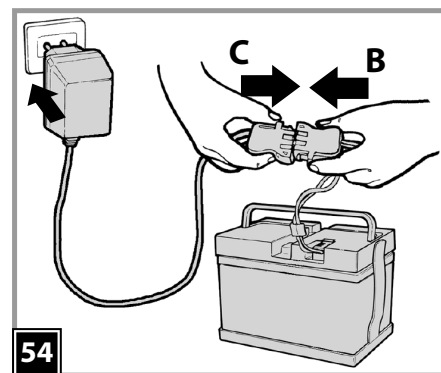
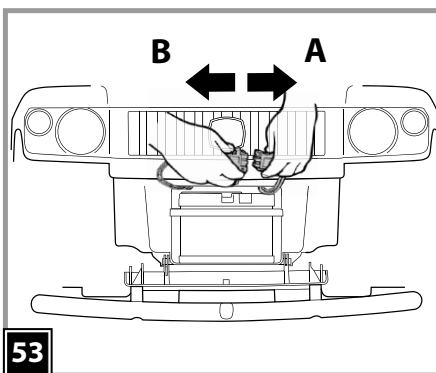


52

BATTERY RECHARGE

CARGA DE LA BATERÍA

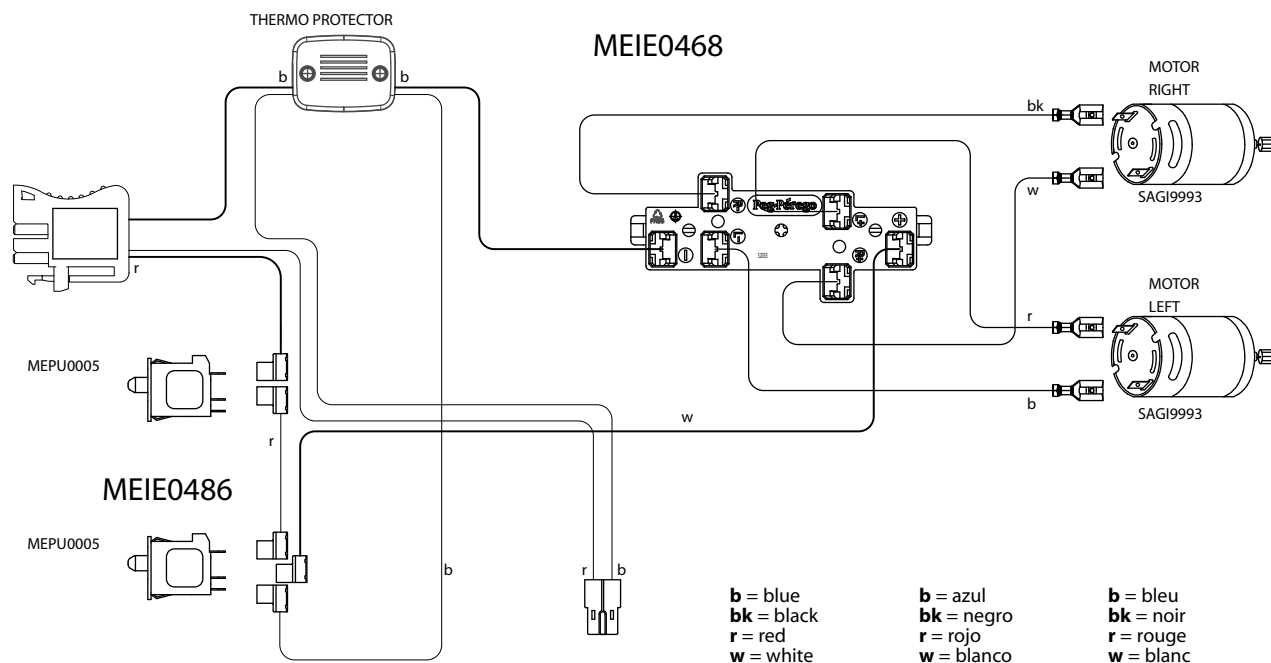
CHARGE DE LA BATTERIE



ELECTRICAL DIAGRAM

DIAGRAMA ELÉCTRICO

DIAGRAMME ÉLECTRIQUE



REPLACEMENT PARTS

PIEZAS DE RECAMBIO

PIÈCES DE RECHANGE

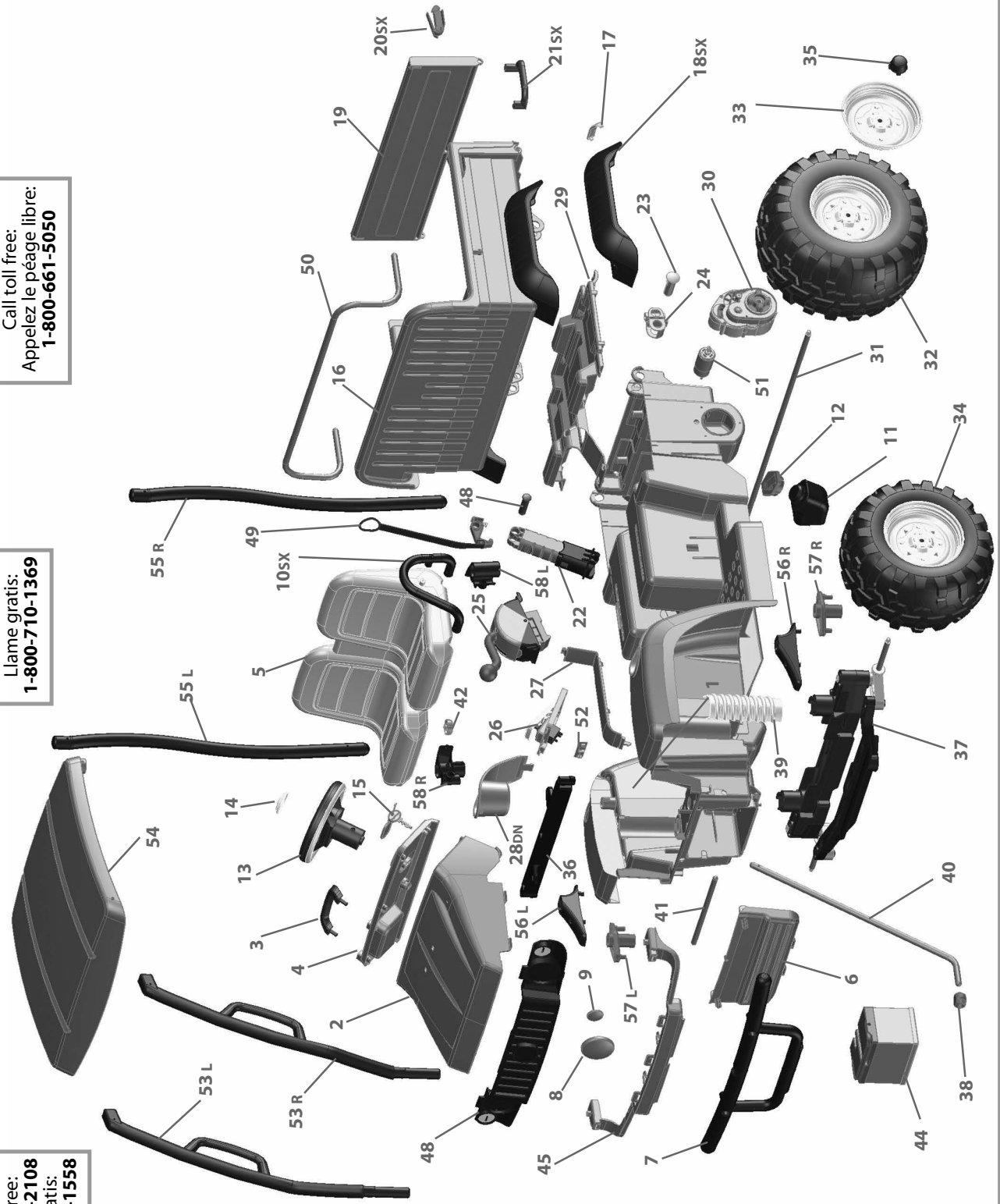
**USA**  
Call toll free:  
**1-800-728-2108**  
Llame gratis:  
**1-800-225-1558**

**Mexico**  
Llame gratis:  
**1-800-710-1369**

**Canada**  
Call toll free:  
Appelez le péage libre:  
**1-800-661-5050**

- 1 • SPST8091VB
- 2 • SPST8092VB
- 3 • SPST8211Y
- 4 • ASG1011N
- 5 • SARP8093Y
- 6 • SPST8095VB
- 7 • SPST9028N
- 8 • SPST0132
- 9 • SPST9033A
- 10R • SAG18122DVB
- 10L • SAG18122SVB
- 11 • SPMV8120N
- 12 • SPST8121R
- 13 • ASG00016Y
- 14 • SPST3963N
- 15 • SAG18139N
- 16 • ASG10113VBN
- 17 • SPST8116A
- 18R • SPST8101DN
- 18L • SPST8101SN
- 19 • SPST8099VB
- 20R • SPST8107DR
- 20L • SPST8107SR
- 21R • SPST8109DN
- 21L • SPST8109SN
- 22 • ASG10136VBN
- 23 • SPST8108N
- 24 • SPST8202N
- 25 • ASG10115NYR
- 26 • SAG18862Y
- 27 • SPST8106VB
- 28R • SPST9029DN
- 28L • SPST9029SN
- 29 • SPST8100KVB
- 30 • SAG18130XW
- 31 • SOFF0489L30
- 32R • SARP9023DNY
- 32L • SARP9023SNY
- 33 • SPST8397Y
- 34R • SARP9022DNY
- 34L • SARP9022SNY
- 35 • SPST8398N
- 36 • SPST8105N
- 37 • ASG10116N
- 38 • SPST8119R
- 39 • SPST8148Y
- 40 • SOTF0087L30
- 41 • SOTF0088L30
- 42 • SPST8207R
- 43 • SAG19030N
- 44 • IAKB0501
- 45 • SPST9026VB
- 46 • MMEI0468
- 47 • MMEV0480
- 48 • SPST9025N

- 49 • SAG18217R
- 50 • SOTF0090L30
- 51 • SAG19993
- 52 • SPST8147VB
- 53 R • SPMV8806DN
- 53 L • SPMV8806SN
- 54 • SPST8810VB
- 55 R • SPMV8807DN
- 55 L • SPMV8807SN
- 56 R • SPST8804DN
- 56 L • SPST8804SN
- 57 L • SPST8809DN
- 57 R • SPST8809SN
- 58 R • SPST8805DN
- 58 L • SPST8805SN



**ELECTRIC SYSTEM**  
INSTALACION ELÉCTRICA  
CIRCUIT ÉLECTRIQUE

**DECAL**  
CALCOMANIAS  
DECALCOMANIES

## ENGLISH

•PEG PEREGO® thanks you for choosing this product. For over 50 years, PEG PEREGO has been taking children for an outing: first with its famous baby carriages and strollers, later with its pedal and battery operated toy vehicles.

•Read this instruction manual carefully to learn the use of this vehicle and to teach your child safe and enjoyable driving. Please keep this manual for use as a reference in the future.

•Our toys conform with the safety requirements provided by the Council of the EEC, of the T.U.V.; of the I.I.S.G. Istituto Italiano Sicurezza Giocattoli, and the U.S. Consumer Toy Safety Specification F963.



**Peg Perego S.p.A. is an ISO 9001 certified company.**

The fact that we are certified provides a guarantee of our honesty for our customers, and fosters trust in the company's way of working.

•Peg Perego reserves the right to modify or change their product. Price, literature, manufacturing processes or locations or any combination of these above mentioned entities may change at any time for any reason without notice with impunity.

# Years 3-8

# Weight capacity

# 130 lbs

## ⚠ CAUTION:

ELECTRIC VEHICLE NOT RECOMMENDED FOR CHILDREN UNDER 3 YEARS OF AGE. AS WITH ALL ELECTRIC PRODUCTS, PRECAUTIONS SHOULD BE OBSERVED DURING HANDLING AND USE TO PREVENT ELECTRIC SHOCK. RECHARGER INCLUDED. 120 VOLTS, 60Hz, 30W INPUT, 12 VOLTS (DC) OUTPUT.

### CUSTOMER SERVICE

PEG PEREGO offers after-sales services, directly or through a network of authorized service centers for repairs or replacement parts. See the back cover of this instruction manual for contact information.

### INITIAL BATTERY RECHARGE



Before riding, charge your battery for 18 hours to initiate them. Failure to do this can result in permanent battery damage.

- ! • Remove battery and charger from packaging. Connect battery charger to a domestic socket according to instructions provided. Connect battery charger to battery.

### ASSEMBLY INSTRUCTIONS

## ⚠ CAUTION:

ADULT ASSEMBLY REQUIRED. USE CARE WHEN UNPACKING AS COMPONENTS TO BE ASSEMBLED MAY POSE A SMALL PARTS/SHARP EDGE HAZARD. BATTERY ALREADY INSTALLED IN VEHICLE.

### ASSEMBLY

- 1 • Join the two steering wheel parts.
- 2 • Apply decal No. 22. Align steering wheel on its bar as shown in the figure.
- 3 • Attach the steering wheel using the screw and bolt supplied; make sure to fit the screw in the circular hole and the bolt in the hexagonal hole.
- 4 • Plug toy key into its slot on the dash board.
- 5 • Apply decal No. 6. Attach brush guard: Insert lower tabs into slots and slide into place over green pegs.
- 6 • Secure brush guard using the two screws supplied.
- 7 • Apply the chrome decals to the headlights positions as shown. Attach clear and orange headlight lenses as shown.
- 8 • Snap the nut cap into place, and repeat the operation on the other three wheels.
- 9 • Snap fuel cap onto its base.
- 10 • Slide the fuel cap and base into the slot on the vehicle body, aligning it as shown in the figure.
- 11 • Rotate it by 90 degrees until it stops.
- 12 • Split handles - using scissors, if necessary - and remove the two connecting plastic pieces.
- 13 • Unscrew the two screws you find on the dump bed (see figure). Remove plastic bushing. Keep these screws: you will use them later to attach the handles.
- 14 • Snap handles into place as shown in the picture.
- 15 • Attach handles with the two screws previously removed.
- 16 • Split mudguards - use scissors, if necessary- and remove connecting plastic pieces.
- 17 • Snap mudguards into place on the dump bed. NOTE: Mudguards must be attached according to letters printed inside of them: 'L' stands for 'left' and 'R' stands for 'right'.
- 18 • Split lenses - use scissors, if necessary- and remove the connecting plastic piece.
- 19 • Fit tabs in their slots on the mudguards; put in the external side first (A). Press down on the inner side (B) to lock lenses in place.
- 20 • Break connecting parts to remove oval pins from the dump bed extenders.
- 21 • Insert dump bed extenders in their housings on the back of the vehicle.
- 22 • Secure the dump bed extenders using the previously removed pins.
- 23 • Realign the dump bed on the vehicle.
- 24 • Align rear holes on the dump bed to those of the dump bed extenders. Secure the dump bed with the two oval pins previously removed.
- 25 • Join the spring and red latch as illustrated. Lift piston and fit red hook in its upper side as shown in the picture.
- 26 • Keep piston lifted and align its hole to the rear hole on the caisson (see figure).
- 27 • Secure pin in the front hole of the dump bed. Always make sure that pins are properly secured. Push the dump bed down.
- 28 • On both rear canopy poles (without handles), slide a black collar bracket onto the rounded end (a). NOTE: Be sure poles and brackets are positioned as shown in figure. Then secure each collar bracket with one of the short screws provided (b). [Find screws for canopy assembly in secondary hardware bag.]
- 29 • On each side of the seat, place the pole's collar onto the yellow nub. Then secure with the long screw provided.
- 30 • Again on both sides of the seat, place the green handle into position (as shown in the figure) and secure each handle with the 3 long screws provided (in main hardware bag).
- 31 • Align double seat to holes according to the child's height; secure it from underneath with the four knobs supplied. Gator has 4 positions (see figure).
- 32 • Insert the front poles (with handles) into the black support brackets on each front fender. NOTE: Be sure to position both poles so that they bend outward and go all the way into the brackets so that the end of the pole is visible from the underside.
- 33 • From the underside of fenders, secure each front pole with the short screw provided.
- 34 • Attach the green roof piece by pressing down into place over tops of poles.
- 35 • Secure roof to poles by using 4 of the short screws provided.

### BATTERY INSTALLATION

- 36 • Unscrew safety screw on brush guard/battery door.
- 37 • Unfasten side flaps pulling them outwards.
- 38 • Pull brush guard/battery door forward.
- 39 • Remove the metal retaining rod.
- 40 • Slide battery into compartment.

- 41 • Connect system plug to battery plug. Replace retaining rod and brush guard/battery door and secure with safety screw. The vehicle is ready for use.

### VEHICLE FEATURES AND INSTRUCTIONS FOR USE

- 42 • A: TOY KEY. This key does not turn your vehicle on; it is a toy-key.  
B: HANDLE. Passengers can use this handle for additional safety when the vehicle is turned on.
- 43 • Exclusive **SmartPedal Technology™** feature allows for longer running times and more realistic driving. When accelerator is pressed completely down, forward motion is activated. When pedal is released halfway, coasting action is engaged. Brake activates automatically when the child's foot is removed from the pedal.
- 44 • TAILGATE: The dump bed features a tailgate that can be opened by pushing the two red side levers upwards.
- 45 • DUMP BED: The dump bed can carry objects for a maximum of 22 lbs. To operate the dump bed, pull upward on red latch and unlock it as shown in the figure.
- 46 • GEAR LEVER. Gear has three speeds. Push gear lever downwards to activate rear gear; push it upwards to activate second gear. NOTE: Only first and rear gear work when the vehicle has just been taken out of its package. See steps 47 and 48 to activate second gear.
- 47 • Unscrew safety screw to release the high speed lockout pin.
- 48 • Secure the high speed lockout pin in the second hole as shown in the figure. The vehicle can now be shifted to 2nd speed. If you do not want your child to use the second speed, secure the high speed lockout pin in the first hole.

### REPLACING THE BATTERY

- 49 • Open battery door following steps 36 - 38. Remove battery lock as shown in the figure.
- 50 • Disconnect plugs. Remove battery and replace it.
- 51 • Reconnect plugs. Mount battery lock and close battery lid. WARNING! Make sure battery lid is always properly fixed with its screw.
- 52 • Secure battery lock and close battery door. NOTE: Make sure battery door is always properly secured with its screw.

### BATTERY RECHARGE

## ⚠ WARNING:

WARNING: BATTERY CHARGING AND ANY OTHER OPERATION ON THE ELECTRICAL SYSTEM MUST BE CARRIED OUT BY ADULTS ONLY. THE BATTERY CAN ALSO BE CHARGED WITHOUT REMOVING IT FROM THE VEHICLE.

- 53 • Disconnect plug A (electrical system) and plug B (battery).
- 54 • Connect battery charger to a domestic socket according to instructions provided. Connect plug B to plug C (battery charger).
- 55 • When the battery is ready, disconnect battery charger from the domestic socket; disconnect plug C and plug B. Properly fit plug B in plug A. Always make sure battery lid is properly closed and secured.

### BATTERY MAINTENANCE AND SAFETY

## ⚠ CAUTION:

Only adults should recharge batteries, never children. Never allow children to handle batteries. Only use the batteries specified by the manufacturer. Only use the charger specified by the manufacturer. Do not mix old and new batteries.



Do not mix alkaline, standard (carbon-zinc), or rechargeable (nickel-cadmium) batteries.

#### CHARGING THE BATTERY

- Charge the batteries no longer than 24 hours, following the instructions enclosed with the battery charger.
- Charge the battery, as the vehicle shows low power, in this way you will avoid damage to the battery.
- If you don't use your vehicle for a long period of time unplug the battery from the main wire harness of the vehicle. Remember to charge the battery at least every three months.
- Never charge the battery upside down.
- Do not forget batteries during charging! Check them periodically.
- Never use a replacement recharger or batteries unless they are approved by PEG PEREGO.
- Batteries are sealed and maintenance free.
- Battery polarity must be observed when connecting battery to wiring.

#### **⚠ WARNING:**

- BATTERIES CONTAIN TOXIC AND CORROSIVE SUBSTANCES. DO NOT TAMPER WITH THEM.
- Batteries contain an acid-based electrolyte.
- Do not make direct contact between battery terminals, as this can cause an explosion or fire.
- Charging produces explosive gases. Charge batteries in a well ventilated area away from sources of heat and flammable materials.
- Exhausted batteries are to be removed from the vehicle.
- Do not place the batteries near clothing to avoid damage.

#### IF A LEAK DEVELOPS

Shield your eyes. Avoid direct contact with the electrolyte, protect your hands.  
Place battery in a plastic bag and follow directions listed below.

IF ELECTROLYTE COMES IN CONTACT WITH SKIN OR CLOTHING  
Flush with cool water for at least 15 minutes.  
See a physician at once.

IF ELECTROLYTE IS INGESTED  
Give tap water, milk of magnesia or egg whites at once.  
Do not induce vomiting.  
See a physician at once.

#### DISPOSAL OF BATTERIES

Help protect the environment!  
Do not throw used batteries in your regular, household trash.

Dispose of the old batteries in an approved dumping station; contact your local environmental protection agency office for further information.



#### VEHICLE MAINTENANCE AND SAFETY

This product meets and/or exceeds all ASTM TOY SAFETY STANDARDS, including F 963, Consumer Toy Safety Specifications.  
This vehicle is not intended for use on streets, around traffic or parked cars.

#### MAINTENANCE AND CARE

- Regularly check the conditions of the vehicle, particularly the electrical system, the plug connections, the covering caps and the charger. In case of fault, do not try to use the vehicle and the charger. For repair use only original PEG PEREGO's spare parts.
- PEG PEREGO assumes no liability if the electrical system is tampered with.
- Do not leave vehicle or batteries near sources of heat such as radiators, stoves, fireplaces, etc.
- Protect vehicle from water, rain, snow, etc.
- It can operate on grass, dirt or hard surfaces.
- When operating in overload conditions, such as soft deep sand, mud or rough uneven terrain, the overload circuit breaker will automatically disconnect the power. After 10 or more seconds, the circuit breaker will automatically reset, however you must eliminate overload conditions to resume normal driving.
- Periodically lubricate (with a light weight oil) moving parts, such as wheel bearings, steering linkages, where they rotate or touch one another.
- The vehicle's surface can be cleaned with a dampcloth. Do not use abrasive cleaners. The cleaning must be carried out by adults only.
- Never disassemble the vehicle mechanisms or motor unless authorized by PEG PEREGO.

Rechargeable battery 12V 12Ah sealed lead-acid battery.  
Two 170W motors

#### SAFETY

#### **⚠ WARNING:**

- To reduce the risk of injury: adult supervision is required. Never use in roadways, near motor vehicles, on or near steep inclines or steps, swimming pools or other bodies of water; always wear shoes, and never allow more than 2 riders.
- Surfaces that are appropriate for safe use: grass, gravel, hard surfaces, inclines up to 17%.
- Not suitable for children under the age of 36 months. The small pieces could be swallowed or inhaled.
- The dump bed is not designed to support a child's weight. Do not place loads over 22 lbs. in the dump bed.
- Please note that the canopy is designed for play use only and does NOT provide any protection.
- Never use the vehicle on steep slopes or near steps or stairs. This vehicle is not suitable for use on public highways.
- Do not allow children to place their hands, feet or any part of their body, clothing or other articles near the moving parts while vehicle is in operation.
- Do not allow the electrical components, motors, wiring, switches of your motorized vehicle to become wet and never wash it with a hose.
- Never use gasoline or other flammable substances near the vehicle.
- The vehicle is designed just for two children: never allow more than two riders.

#### RULES FOR SAFE DRIVING

DON'T STOP THE FUN: always have freshly charged, back-up batteries on hand.

For your child's safety: please read and follow all instructions below before operating.

#### 2nd SPEED

Initially we suggest using only the 1st speed and the reverse gear. Before moving into 2nd speed be sure that the child has become familiar with operating the vehicle.

- 1ST SPEED slow speed (beginner drivers):  
With both hands on the steering wheel, press down on the accelerator pedal; the vehicle goes forward at 2 1/4 mph.
- 2ND SPEED fast speed (experienced drivers):  
With both hands on the steering

wheel, press down on the accelerator pedal; the vehicle goes forward at 4 1/2 mph.

• **REVERSE:**  
Place the left hand on the steering wheel. With the right hand holding the gearshift in reverse, press your foot down on the accelerator; the vehicle reverses at 2 1/4 mph. (Reverse is spring-loaded for safety).

• **BRAKE:**  
The electric braking system stops the vehicle automatically when your child lifts his foot off the pedal.

Teach your child the proper use of this vehicle for a safe and fun play time.

- Before starting be sure that the way is free from people and objects.
- Drive with both hands on the steering wheel and keep your eyes on the road at all times.
- Stop in time to avoid accidents.
- Use the 2nd speed only after your child has the maturity and the reflexes to operate the vehicle safely.

• **In first gear, the vehicle has a differential effect like real cars; on smooth terrain and with one child, the two wheels may turn at different speeds, resulting in possible sliding/deceleration.**

### PROBLEMS?

• **When operating in overload conditions, such as soft deep sand, mud or rough uneven terrain, the overload circuit breaker will automatically disconnect the power. After 10 or more seconds, the circuit breaker will automatically reset, however you must eliminate overload conditions to resume normal driving.**

IF THE VEHICLE DOES NOT OPERATE?

- Check that all the plugs are properly connected.
- Check to make sure that no wires are disconnected from the reduction gears.
- Check the accelerator switch, if vehicle runs replace switch.
- Check that the battery is connected to the electrical system.

IF THERE IS NO POWER?

- Fully recharge the batteries. If the problem persists, check with an Authorized PEG PEREGO Service

Center.

## ESPAÑOL

•PEG PEREGO® le agradece que haya elegido este producto.  
Hace más de 50 años que PEG PEREGO lleva a pasear a los niños: al nacer, con sus famosos cochecuna y coches de paseo, después con los fantásticos vehículos de juguete a pedal y con batería.

•Lea atentamente este manual de instrucciones para familiarizarse con el uso del modelo y enseñar a su niño un modo de conducir correcto, seguro y divertido. Conserve después el manual para cualquier consulta futura.

•Nuestros juguetes respetan los requisitos de seguridad previstos por el Consejo de la EEC, por el "U.S. Consumer Toy Safety Specification" y están aprobados por el T.Ú.V. y por el I.I.S.G. Istituto Italiano Sicurezza Giocattoli.



**Peg Perego S.p.A. cuenta con la certificación ISO 9001.**

Dicha certificación ofrece tanto a los clientes como a los consumidores la garantía de una transparencia y confianza por lo que concierne al modo de trabajar de la empresa.

•Peg Perego podrá modificar los modelos descritos en este prospecto, por razones técnicas o comerciales.

## Años 3-8

### Peso transportable

### 130 lbs/60 kg

### ⚠ PRECAUTION:

LOS VEHICULOS ELECTRICOS NO SON RECOMENDABLE PARA NIÑOS MENORES DE 3 AÑOS. COMO TODOS LOS PRODUCTOS ELECTRICOS, CUANDO SE ESTA MANEJANDO OBSERVE LAS MEDIDAS DE PRECAUCION PARA PREVENIR UN CHOQUE ELECTRICO. EL CARGADOR ESTA INCLUIDO. 120 VOLTS, 60Hz, 30W DE ENTRADA, 12 VOLTS (DC) DE SALIDA.

### SERVICIO DE ASISTENCIA

PEG PEREGO ofrece un servicio de asistencia post-venta, directamente o a través de una red de centros de asistencia técnica autorizados, para eventuales reparaciones o sustituciones y venta de recambios originales. Vea la cubierta trasera de este manual de instrucción para información del contacto.

### PRIMERA CARGA DE LA BATERÍA



Antes de utilizar el vehículo por primera vez, cargar las baterías durante 18 horas. No respetar este procedimiento podría causar daños irreversibles a la batería, anulando su garantía.

- !• Introducir el enchufe del cargador de baterías a una toma doméstica siguiendo las instrucciones adjuntas.

### INSTRUCCIONES DE MONTAJE

### ⚠ PRECAUTION:

REQUIERE MONTAJE DE UN ADULTO. ALGUNOS COMPONENTES AL SER

## ENSAMBLADOS PODRÍAN TENER PARTES PEQUEÑAS/RIESGO POR BORDES CONTANTES.

### MONTAJE

- 1 • Unir las dos partes del volante.
- 2 • Aplicar el adhesivo nº 22. Introducir el volante en la barra-volante tal y como muestra la figura.
- 3 • Fijar el volante con el tornillo relativo y la tuerca poniendo atención en introducir el tornillo en el agujero circular y la tuerca en el hexagonal.
- 4 • Introducir la llave-juego en el relativo agujero del salpicadero.
- 5 • Aplicar el adhesivo nº 6. Montar el parachoques anterior enganchándolo, en primer lugar, debajo de la carrocería como muestra la figura. Girarlo para engancharlo a los dos pernos de la carrocería.
- 6 • Fijar el parachoques con los dos tornillos incluidos.
- 7 • Poner los adhesivos en los alojamientos de los faros delanteros. Colocar el cristal-faro enganchando el lado externo.
- 8 • Introducir a presión el cubreruedas. Repetir la operación para las otras 3 ruedas.
- 9 • Unir el tapón del depósito a su soporte.
- 10 • Introduzca el tapón de gasolina y la base en la ranura del cuerpo del vehículo, alineándolos tal y como muestra la figura.
- 11 • Girarla 90 grados hasta que se bloquee automáticamente.
- 12 • Separar las dos asas (si es necesario, ayudarse con unas tijeras) y eliminar las dos piezas de plástico de unión.
- 13 • Destornillar los dos tornillos que encontrarán atornillados en el volquete (ver figura). Eliminar el casquillo de plástico. Conservar los tornillos que después servirán para completar la fijación de las asas.
- 14 • Aplicar hasta que salte el mecanismo las asas como muestra la figura.
- 15 • Completar la fijación con los tornillos que se habían quitado antes.
- 16 • Separar los dos guardabarros (si es necesario, ayudarse con unas tijeras) y eliminar las dos piezas de plástico de unión.
- 17 • Aplicar hasta que salte el mecanismo los dos guardabarros en el volquete. ATENCIÓN: dentro de los guardabarros se han impreso las letras R y L. Aplicar el guardabarros con la L en la parte izquierda del volquete y el que tiene la R en la parte derecha.
- 18 • Separar los dos intermitentes (si es necesario, ayudarse con unas tijeras) y eliminar la pieza de plástico de unión.
- 19 • Introducir los dos intermitentes en las muescas del guardabarros, pasando primero la parte exterior (B). Apretar en el lado interno (A) para bloquear automáticamente el intermitente.
- 20 • Extraer de las 2 articulaciones los pernos ovales rompiendo los canales de conexión.
- 21 • Introducir las articulaciones en sus sedes en el fondo del Gator.
- 22 • Fijarlas con los pernos que se habían quitado.
- 23 • Volver a colocar el volquete en el Gator.
- 24 • Alinear los agujeros posteriores del volquete con los de las articulaciones. Fijar el volquete con los dos pernos ovales que se habían quitado de las articulaciones.
- 25 • Una el muelle y el tope rojo como en la figura. Elevar el pistón e introducir en la parte alta el gancho rojo como muestra la figura.
- 26 • Mantener elevado el pistón. Hacer coincidir su agujero con el agujero posterior del volquete (ver figura).
- 27 • Fijar con el último perno el pistón en el primer agujero anterior del volquete. Poner siempre atención en que los pernos estén bien fijados. Bajar el volquete.
- 28 • En los dos postes traseros del pabellón (sin las agarraderas), deslicé un collar de soporte en la orilla redonda. Atención: asegúrese de colocar los postes y los soportes como lo indica la figura. Luego asegure cada collar de soporte con uno de los tornillos cortos proporcionados. (b). [encuentre los tornillos de el pabellón en las segunda bolsa de tornillos.]
- 29 • En cada lado del asiento, coloque el collar de soporte del poste encima del triángulo del cinturón y entré el cabo amarillo. Luego asegure con los tornillos largos proporcionados.
- 30 • De nuevo en los dos lados de el asiento, coloque en posición la agarradera verde. (como lo indica la figura) y asegure con 3 tornillos proporcionados (en la volsa principal de tornillos).
- 31 • Colocar el doble asiento cerca de los agujeros deseados dependiendo de la altura del niño y

- fijarlo desde abajo con los cuatro pomos. Gator está dotado de 4 posiciones (ver esquema).
- 32 • Coloque los postes frontales (con agarraderas) en los soportes negros en cada salpicadera frontal. Atención: asegúrese de colocar los dos postes para que ellos doblen hacia a fuera y entren todos en los soportes para que la orilla del poste sea visible desde debajo.
  - 33 • Desde debajo de las salpicaderas, asegure cada poste frontal con los tornillos pequeños proporcionados.
  - 34 • Asegurar la pieza del techo verde presionando hacia abajo alineándolo encima de los postes.
  - 35 • Asegure el techo en los postes usando 4 de los tornillos pequeños proporcionados.

### INSTALACIÓN DE LA BATERÍA

- 36 • Destornillar el tornillo de seguridad del espacio de la batería.
- 37 • Desenganchar las lengüetas colocadas a los lados tirando hacia fuera.
- 38 • Bajar todo el bloque anterior.
- 39 • Quite la barra de retención del metal.
- 40 • Resbale la batería dentro del compartimiento.
- 41 • Conectar los dos enchufes instalación/batería. Vuelva a colocar la puerta de la batería / parachoques y asegúrelas con los tornillos de seguridad. El vehículo está preparado para ser usado.

### CARACTERÍSTICAS Y USO DEL VEHÍCULO

- 42 • A: LLAVE-JUEGO. Esta llave no sirve para accionar el vehículo, sino que es sólo una llave-juego.  
B: ASA. Este asa sirve para ofrecer una mayor seguridad al pasajero durante el uso del vehículo.
- 43 • La característica exclusiva **SmartPedal Technology™** permite tiempos de recorrido más largos y una sensación de manejo más realista. Cuando se pisa el acelerador hasta el fondo, se activa el movimiento hacia delante a 2.25 mph. Cuando el pedal release/versión a medio camino, se dedica la acción que costea neutral. El freno se activa automáticamente cuando el niño quita el pie del acelerador.
- 44 • PUERTA TRASERA: el volquete tiene un lado que se puede abrir, que se desbloquea apretando hacia arriba las dos palancas rojas colocadas a los lados.
- 45 • VOLQUETE: el volquete es basculante y puede contener objetos hasta un máximo de 22 lbs. Para girar el volquete, tirar hacia arriba el tirador como muestra la figura para desbloquearlo, y al mismo tiempo elevar el volquete utilizando las asas laterales relativas.
- 46 • PALANCA CAMBIO. La palanca de cambio tiene tres posiciones. Poniendo la palanca hacia abajo se activa la marcha atrás; poniéndola hacia arriba, se acciona la segunda velocidad. ATENCIÓN, cuando se saca del embalaje, el artículo sólo funciona en primera y marcha atrás; para poder utilizar la segunda velocidad, seguir las instrucciones 47 y 48.
- 47 • Destornillar el tornillo de seguridad del bloque de la segunda velocidad.
- 48 • Volver a atornillar el bloque de la segunda velocidad en el segundo agujero, como se muestra en la figura. En este momento se puede utilizar también la segunda velocidad. Si se desea impedir que el niño use la segunda velocidad, colocar de nuevo el bloque de segunda velocidad en el primer agujero.

### CAMBIO DE LA BATERÍA

- 49 • Abrir el espacio de la batería siguiendo las instrucciones de las figuras 31-32. Extraer el hierro sujetabatería.
- 50 • Desconectar los dos enchufes apretando a los lados de los mismos. Extraer la batería y cambiarla por una nueva.
- 51 • Volver a conectar los dos enchufes.
- 52 • Volver a poner el sujetabaterías y cerrar todo. ATENCIÓN: recordar siempre que se debe fijar la puerta del espacio de la batería con el tornillo.

### CARGA DE LA BATERÍA

## ⚠ ATENCIÓN:

LA OPERACIÓN DE CARGA DE LA BATERÍA ASÍ COMO CUALQUIER INTERVENCIÓN ELÉCTRICA, DEBEN SER REALIZADAS ÚNICAMENTE POR ADULTOS. LA BATERÍA TAMBIÉN SE PUEDE CARGAR SIN QUITARLA DEL

## JUGUETE.

- 53 • Desconectar el enchufe A de la instalación eléctrica del enchufe B de la batería apretando lateralmente.
- 54 • Introducir el enchufe del cargador de baterías a una toma doméstica siguiendo las instrucciones adjuntas. Conectar el enchufe B con el enchufe C del cargador de baterías.
- 55 • Una vez acabada la carga, separar el cargador de baterías de la tomadoméstica, después desconectar el enchufe C del enchufe B. Introducir a fondo, hasta que salte el mecanismo, el enchufe B en el enchufe A. Una vez acabadas las operaciones recordar siempre que es necesario cerrar y fijar la puerta del espacio de la batería.

## MANTENIMIENTO Y SEGURIDAD BATERÍAS

## ⚠ ADVERTENCIAS

Las baterías deben ser cargadas sólo por personas adultas. No deje que los niños jueguen con las baterías. Use sólo las baterías especificadas por el fabricante. Use solamente el cargador especificado por el fabricante. No mezcle baterías viejas y nuevas. No mezcle baterías alcalinas, estándar (carbono-zinc) o recargables (níquel - cadmio).

### CARGA DE LAS BATERÍAS

- Cargar la batería siguiendo las instrucciones incluidas en el cargador y no superar en ningún caso las 24 horas. No respetar estostiempos puede acortar la vida de las baterías.
- Cargue las baterías a tiempo, apenas el vehículo pierda velocidad. De este modo se evitarán otros daños.
- Si el vehículo se queda sin usarlo por largo tiempo, recuérdese de cargar la batería y de mantenerla desconectada de la instalación; repita la operación de carga al menos cada tres meses.
- La batería no debe recargarse en posición invertida.
- ¡No se olvide de las baterías que se están cargando! Contrólelas periódicamente.
- Use sólo el cargador en dotación y las baterías originales PEG PEREGO.
- Las baterías están selladas y no necesitan de mantenimiento.
- Inserte las baterías con la correcta polaridad.

## ⚠ ATENCIÓN:

- LAS BATERÍAS CONTIENEN SUBSTANCIAS TÓXICAS CORROSIVAS. NO SE DEBEN MANIPULAR ABUSIVAMENTE.
- Las baterías contiene electrolita de base ácida.
- No provoque el contacto directo



entre los terminales de la batería, riesgo de explosión o incendio.

- Mientras se están cargando, las baterías producen gas explosivos. Carguelas en un lugar bien ventilado, lejos de fuentes de calor y materiales inflamables.
- Las baterías agotadas se deben sacar del vehículo.
- No coloque las baterías sobre prendas porque se podrían dañar.

#### SI HAY UNA PÉRDIDA

Protéjase los ojos. Evite el contacto directo con el electrolito: proteja sus manos.

Ponga la batería en una bolsa de plástico y siga las instrucciones para la eliminación de baterías.

#### SI PIEL Y OJOS ENTRAN EN CONTACTO CON EL ELECTROLITO

Lave abundantemente con agua corriente durante al menos 15 minutos.

Consultar un médico inmediatamente.

#### SI SE INGIERE ELECTROLITO

Tome pequeños sorbos de agua, leche de magnesia o clara de huevo.

No provocar el vómito. Consultar un médico inmediatamente.

#### ELIMINACIÓN DE BATERÍAS

Ayude a proteger el medio ambiente.

Las baterías usadas no se deben tirar junto con la basura doméstica. Se pueden entregar a un centro de recogida de baterías usadas o de eliminación de residuos especiales; infórmese en su Ayuntamiento.



### MANTENIMIENTO Y SEGURIDAD VEHICULO

Este producto ha sido fabricado conforme a las Normas de Seguridad EN 71 y a las Normas de Seguridad para los juguetes eléctricos EN 50088.

Este vehículo no ha sido fabricado para ser usado en la vía pública, con vehículos en movimiento o aparcados.

Este producto cumple con y/o sobrepasa los ESTÁNDARES DE SEGURIDAD ASTM TOY, incluido el F 963, Especificaciones de seguridad en juguetes para consumidores.

#### MANTENIMIENTO Y CUIDADOS

- Controlare periódicamente el estado del vehículo, en especial la instalación eléctrica, las

conexiones de los enchufes, las caperuzas de protección y el cargador. En caso de defectos comprobados, el vehículo eléctrico y el cargador no deben utilizarse. Para las reparaciones utilizar sólo piezas de recambio originales PEG PEREGO.

- PEG PEREGO no se asume ninguna responsabilidad en caso de uso indebido de la instalación eléctrica.
- No dejare las baterías o el vehículo cerca de fuentes de calor como radiadores, caloríferos, chimeneas, etc.
- Proteger el vehículo contra el agua, lluvia, nieve, etc.;
- Funciona sobre hierba, suciedad o superficies duras.
- Si el vehículo funciona en condiciones de sobrecarga, por ejemplo sobre arena blanda, barro o terrenos muy accidentados, el interruptor de la sobrecarga desconectará inmediatamente la potencia. El suministro de corriente se reanudará una vez eliminadas las condiciones de sobrecarga.
- Lubricar periódicamente (con aceite ligero) las partes móviles como cojinetes, dirección, etc., donde girar o están en contacto entre ellas.
- Las superficies del coche deben limpiarse con un paño húmedo y, si es necesario, con productos adecuados de uso doméstico. Las operaciones de limpieza deben ser realizadas únicamente por adultos.
- No desmontar nunca los mecanismos del vehículo o los motores, sin la autorización de PEG PEREGO.

Conforme a EN 50088  
batería recargable da 12V 12Ah  
con plomo cerrado  
2 motor 170W

#### SEGURIDAD

### ⚠ ¡ATENCIÓN!

- Para reducir el riesgo de heridas, la supervisión de un adulto es siempre necesaria. No usar nunca en carreteras, cerca de vehículos a motor, o en pendientes pronunciadas o cerca de escaleras, piscinas u otras superficies de agua; los niños deben usar siempre zapatos durante el uso del vehículo. El vehículo está construido para 2 niños: no deje que lo use más de un solo niño.
- Se puede usar sobre superficies lisas o terrenos irregulares: hierba, grava, inclinaciones de hasta el 17%.

- No adecuado para niños de edad inferior a 36 meses: contiene piezas pequeñas que podrían ser tragadas o inhaladas.
- El remolque no está concebido para soportar el peso de un niño. No cargar con más de 10 Kg/22 lbs.
- Porfavor tenga en cuenta que estos cinturones son diseñados solo para jugar y NO ofrecen ninguna protección.
- No usar el vehículo en vías públicas, donde hay tránsito y coches estacionados, en pendientes pronunciadas, cerca de escaleras.
- Cuando el vehículo está funcionando, preste atención para que los niños no metan las manos, los pies u otras partes del cuerpo, cerca de las partes en movimiento.
- No mojar nunca los componentes eléctricos del vehículo como motores, cableado, botones, etc.
- No usar gasolina u otras sustancias inflamables cerca del vehículo.
- El vehículo está construido para 2 niños: no deje que lo use más de 2 niños.

### REGLAS PARA CONDUCIR EN CONDICIONES DE SEGURIDAD

DIVERSIÓN SIN INTERRUPCIONES: tenga siempre un juego de baterías cargadas de recambio listo para el uso.

Para la seguridad del niño: antes de accionar el vehículo, lea y siga atentamente las siguientes instrucciones.

#### 2ª VELOCIDAD

Al comienzo se aconseja utilizar la 1a marcha y la marcha atrás. Antes de utilizar la 2a velocidad, verificar que el niño haya aprendido a manejar bien el vehículo.

- 1ª VELOCIDAD (para principiantes): Con ambas manos sobre el volante, pisar el pedal del acelerador; el vehículo se pone en marcha a una velocidad reducida de aproximadamente 2 ¼ mph.
- 2ª VELOCIDAD (para expertos): Con ambas manos sobre el volante, pisar el pedal del acelerador; el vehículo se pone en marcha a una velocidad de aproximadamente 4 ½ mph.
- MARCHA ATRÁS : Bajar con una mano la palanca del cambio. Colocar la otra mano sobre el volante y pisar el acelerador. El vehículo retrocede a una velocidad de aproximadamente 2 ¼ mph.



- **FRENO:**  
El sistema eléctrico de frenado bloquea automáticamente el vehículo cuando se levanta el pie del pedal del acelerador.

Enseñe a su niño el uso correcto del vehículo para que maneje en condiciones de seguridad y se divierta.

- Antes de partir, verifique que el recorrido esté libre de personas o cosas.
- Manejar con las manos sobre el volante y mirar siempre el camino.
- Frenar a tiempo para evitar choques.
- Insertar la 2a velocidad solamente cuando el niño ha aprendido correctamente a usar el manillar, la primera velocidad y el freno.
- **En primera velocidad, el vehículo está dotado de efecto diferencial como los verdaderos automóviles: en terrenos lisos y con un solo niño, las dos ruedas pueden tener velocidades diferentes con posibilidad de patinaje/deceleración de las mismas.**

### ¿PROBLEMAS?

- **Si el vehículo funciona en condiciones de sobrecarga, por ejemplo sobre arena blanda, barro o terrenos muy accidentados, el interruptor de la sobrecarga desconectará inmediatamente la potencia. Después de unos 10 segundos se reanudará el suministro de corriente, pero deben eliminarse las condiciones de sobrecarga.**

#### ¿EL VEHÍCULO NO FUNCIONA?

- Verificar que no haya cables desconectados debajo de la placa del acelerador.
- Comprobar que no haya cables desconectados de los motorreductores.
- Controlar el funcionamiento del pulsador del acelerador y eventualmente sustituirlo.
- Controlar que la batería esté conectada a la instalación eléctrica.

#### ¿EL VEHÍCULO NO TIENE POTENCIA?

- Cargar las baterías. Si después de cargables el problema persiste hacer controlar las baterías y el cargabaterías en un centro de asistencia.

## FRANÇAIS

•PEG PEREGO® vous remercie de votre confiance et vous félicite d'avoir choisi ce produit. Depuis plus de 50 ans, PEG PEREGO emmène en promenade les enfants: à peine nés, avec ses fameux landaus et poussettes et plus tard, avec ses fantastiques véhicules à pédales et à batterie.

•Lire attentivement ce manuel d'instructions pour se familiariser avec l'utilisation du modèle et enseigner à l'enfant à conduire prudemment tout en s'amusant. Garder ce manuel pour toute nécessité future.

•Nos jouets répondent aux conditions de sécurité prévues, par le Conseil de la EEC, par le "U.S. Consumer Toy Safety Specification" et approuvés par le T.U.V. et par le I.I.S.G. Istituto Italiano Sicurezza Giocattoli.



**Peg Perego S.p.A. bénéficie de la certification ISO 9001.**

La certification assure aux clients et aux consommateurs une garantie de transparence et de confiance dans la façon dont travaille l'entreprise.

•Peg Perego pourra apporter à tout moment des modifications aux modèles décrits dans cette publication, pour des raisons de nature technique ou commerciale.

## Ans 3-8

### Poids transportable

### 130 lbs / 60 kg

### ⚠ ATTENTION:

VÉHICULE ÉLECTRIQUE NON RECOMMANDÉ POUR LES ENFANTS DE MOINS DE 3 ANS. COMME POUR TOUS LES PRODUITS ÉLECTRIQUES, DES PRÉCAUTIONS DOIVENT ÊTRE PRISES PENDANT LE MANIEMENT ET L'UTILISATION POUR PRÉVENIR LES CHOCS ÉLECTRIQUES. CHARGEUR DE BATTERIE INCLU. 120 VOLT, 60HZ, 30W ,12 VOLT (c.a.) EN SORTIE.

#### SERVICE D'ASSISTANCE

PEG PEREGO offre un service d'assistance après-vente, directement ou à travers un réseau de centres d'assistance autorisés pour les éventuelles réparations ou pour le remplacement et la vente de pièces de recharge d'origine. Voyez la couverture arrière de ce manuel d'instruction pour l'information de contact.

#### PREMIÈRE CHARGE DE LA BATTERIE



Avant d'utiliser le véhicule pour la première fois, recharger les batteries pendant 18 heures. La non-observation des instructions dans cette brochure peut entraîner le risque des dommages irréversibles à la batterie.

- !• Brancher la fiche du chargeur sur une prise en suivant les instructions jointes.

#### INSTRUCTIONS DE MONTAGE

### ⚠ ATTENTION:

### ASSEMBLAGE PAR UN ADULTE

## REQUIS. PRENDRE GARDE AU MOMENT DE DEBALLER CAR LES COMPOSANTES À ASSEMBLER PEUVENT COMPORTER UN DANGER DE PETITES PIÈCES OU DE BORDS TRANCHANTS.

### MONTAGE

- Unir les deux parties du volant.
- Appliquer l'adhésif n° 22. Introduire le volant sur la tige du volant comme montré dans la figure.
- Fixer le volant avec la vis et l'écrou fournis. ATTENTION : insérer la vis dans le trou circulaire et l'écrou dans le trou hexagonal.
- Introduire la clé-jeu dans le trou correspondant du tableau de bord.
- Appliquer l'adhésif n° 6. Monter le pare-chocs avant en l'accrochant d'abord sous la caisse comme montré dans la figure. Le tourner pour pouvoir l'accrocher aux deux goujons de la caisse.
- Fixer le pare-chocs avec les deux vis fournies.
- Appliquer les autocollants sur les logements des phares avant. Placer le verre du phare en accrochant le côté extérieur.
- Positionner le cache écrou et appuyer. Reproduire les opérations décrites pour les autres 3 roues.
- Unir le bouchon de réservoir à son support.
- Installer le bouchon du réservoir et la base dans la rainure au-dessous du véhicule, en les alignant comme indiqué sur la figure.
- La tourner de 90 degrés jusqu'à ce qu'elle s'arrête automatiquement.
- Séparer les deux poignées (si nécessaire utiliser des ciseaux) et retirer les deux pièces de jonction en plastique.
- Dévisser les deux vis qui sont vissées à la benne (voir figure). Retirer la douille en plastique. Garder les vis qui serviront ensuite pour compléter la fixation des poignées.
- Appliquer à déclic les poignées comme le montre la figure.
- Compléter la fixation avec les vis précédemment retirées.
- Séparer les deux pare-boues (si nécessaire utiliser des ciseaux) et retirer la pièce de jonction en plastique.
- Appliquer à déclic les deux pare-boues sur la benne. ATTENTION : à l'intérieur des pare-boues sont marquées les lettres R et L. Appliquer le pare-boue marqué par le L à la gauche de la benne et celui avec le R à sa droite.
- Séparer les deux clignotants (si nécessaire utiliser des ciseaux) et retirer la pièce de jonction en plastique.
- Insérer les deux clignotants dans les crans des pare-boues en introduisant d'abord la partie extérieure (B). Appuyer sur le côté intérieur (A) pour bloquer le clignotant automatiquement.
- Extraire les goujons ovales des 2 articulations en cassant les coulisses de jonction.
- Insérer les articulations dans leurs logements sur le dessous du Gator.
- Les fixer avec les goujons précédemment retirés.
- Replacer la benne sur le Gator.
- Aligner les trous arrière de la benne avec ceux des articulations. Fixer la benne avec les deux goujons ovales qui avaient été retirés des articulations.
- Joindre le ressort et la butée rouge comme dans la figure. Soulever le piston et insérer le crochet rouge dans la partie en haut comme montré dans la figure.
- Tenir le piston soulevé. Faire coïncider le trou de celui-ci avec le trou arrière de la benne (voir figure).
- Avec le dernier goujon, fixer le piston dans le premier trou avant de la benne. Vérifier toujours que les goujons soient bien fixés. Baisser la benne.
- Sur les deux poteaux arrière d'écran (sans traitements), glissez une parenthèse noire de collier sur l'extrémité arrondie (a). NOTE : Soyez sûr de placer des poteaux et des parenthèses comme représenté sur la figure. Fixez alors chaque parenthèse de collier avec une du (b) fourni par vis courtes. [Trouvez les vis pour l'écran dans le sac secondaire de matériel.]
- De chaque côté du siège, placez la parenthèse de collier du poteau au-dessus de la triangle de ceinture de sécurité et sur la pointe jaune. Fixez alors avec la longue vis fournie.
- Encore des deux côtés du siège, placez le traitement vert en l'place (comme représenté sur la figure) et le fixez avec les 3 vis fournies

- (dans le sac principal de matériel).
- Placer le double siège dans les trous voulus en fonction de la taille de l'enfant et le fixer par-dessous avec les quatre boutons. Gator permet 4 positions (voir schéma).
  - Insérez les poteaux avant (avec des traitements) dans les supports de support noirs sur chaque amortisseur avant. NOTE : Soyez sûr de placer les deux poteaux de sorte qu'ils se déplient à l'extérieur et entrez toute la voie dans les parenthèses de sorte que l'extrémité du poteau soit visible du côté en dessous.
  - Du côté en dessous des amortisseurs, fixez chaque poteau avant avec la vis courte fournie.
  - Attachez le morceau vert de toit en enfonçant dans l'endroit au-dessus des poteaux.
  - Fixez le toit aux poteaux en utilisant 4 des vis courtes fournies.

### INSTALLATION DE LA BATTERIE

- Dévisser la vis de sécurité du logement de la batterie.
- Décrocher les languettes aux côtés en les tirant vers l'extérieur.
- Baisser le bloc avant.
- Retirez la tige de retenue en métal.
- Glissez la batterie dans le compartiment.
- Brancher les deux fiches installation/batterie. Replacer la protection frontale/porte de la batterie et les fixer à l'aide de la vis de sécurité. Le véhicule est prêt pour être utilisé.

### CARACTÉRISTIQUES ET EMPLOI DU VÉHICULE

- B : CLE-JEU. Cette clé n'est qu'une clé-jeu ; elle ne sert pas pour mettre en marche le véhicule. C : POIGNEE. Cette poignée sert pour plus de sécurité au passager pendant la marche du véhicule.
- La caractéristique exclusive à **SmartPedal Technology™** permet des durées de fonctionnement prolongées et une conduite plus réaliste. Lorsqu'on appuie à fond sur la pédale d'accélération, il est propulsé vers l'avant à 3.6 km/h (2,25 mi/h). Quand la pédale est libérée à mi-chemin, l'action marchante neutre est engagée. Les freins s'activent automatiquement lorsque l'enfant retire son pied de la pédale de l'accélérateur.
- RIDELLE: la benne a une ridelle qui s'ouvre en tirant vers le haut les deux leviers rouges placés aux deux côtés.
- BENNE BASCULANTE: la benne est basculante et peut contenir des objets (max. 22 lbs). Pour basculer la benne, tirer vers le haut la barre pour la dégager comme le montre la figure et soulever en même temps la benne à l'aide des poignées latérales.
- LEVIER VITESSE. Le levier de vitesse a trois positions. En actionnant le levier vers le bas on met la marche-arrière ; en l'actionnant vers le haut on passe la deuxième vitesse. ATTENTION : après avoir été déballé, le véhicule ne roule qu'en première vitesse et en marche arrière ; pour utiliser la deuxième, suivre les instructions 47 et 48.
- Dévisser la vis de sécurité du bloc deuxième vitesse.
- Revisser le bloc deuxième vitesse dans le deuxième trou comme le montre la figure. Maintenant il est possible d'utiliser la deuxième vitesse aussi. Si on ne veut pas que l'enfant utilise la deuxième vitesse, deuxième vitesse dans le premier trou.

### REMPLACEMENT DE LA BATTERIE

- Ouvrir le logement batterie en suivant les instructions des figures 31 à 32. Retirer le fer d'arrêt de la batterie.
- Débrancher les deux fiches en appuyant sur leurs côtés. Retirer la batterie et la remplacer par une neuve.
- Rebrancher les deux fiches.
- Replacer le fer d'arrêt de la batterie et refermer le tout. ATTENTION : ne jamais oublier de fixer la porte du logement batterie avec sa vis.

### CHARGE DE LA BATTERIE

## ⚠ ATTENTION:

L'OPÉRATION DE CHARGE DES BATTERIES ET TOUTES AUTRES INTERVENTIONS SUR L'ÉQUIPEMENT ÉLECTRIQUE DOIVENT ÊTRE EFFECTUÉES EXCLUSIVEMENT PAR DES ADULTES.

## IL EST POSSIBLE DE CHARGER LA BATTERIE SANS LA DÉMONTER DU JOUET.

- Débrancher la fiche A de l'installation électrique de la fiche B de la batterie en poussant latéralement.
- Brancher la fiche du chargeur sur une prise en suivant les instructions jointes. Connecter la fiche B à la fiche C du chargeur.
- Une fois la batterie rechargée, débrancher d'abord le chargeur de la prise, débrancher ensuite la fiche C de la fiche B. Insérer à fond, jusqu'au déclic, la fiche B dans la fiche A. Une fois terminé, ne pas oublier de fermer et de fixer la porte du logement de la batterie.

## MAINTENANCE ET SECURITE BATTERIE

## ⚠ PRECAUTION:

Les batteries ne doivent être rechargées que par ou sous la surveillance d'adultes. Ne pas laisser les enfants jouer avec les batteries.

Utiliser uniquement le chargeur de batterie fourni et les batteries originales PEG PEREGO.

Ne pas utiliser simultanément des batteries neuves et usagées.

Ne pas utiliser simultanément des batteries alcalines standard (zinc-carbone) ou rechargeables (nickel-cadmium).

### RECHARGEMENT DES BATTERIES

- Charger les batteries sans dépasser les 24 heures et en suivant les instructions jointes au chargeur de batterie.
- Recharger les batteries à temps, dès que le véhicule perd de la vitesse, pour éviter de les endommager.
- Si on laisse le véhicule arrêté pendant un long intervalle, se rappeler de recharger la batterie et de la laisser débranchée de l'installation; répéter l'opération de rechargement tous les trois mois au moins.
- La batterie ne doit pas être rechargée retournée.
- Ne pas oublier la batterie en rechargement! Contrôler périodiquement.
- Utiliser exclusivement le type de batteries et de chargeur spécifié par PEG PEREGO.
- Les batteries doivent être mises en place avec la polarité correcte.
- Les batteries sont scellées et n'exigent pas de maintenance.

## ⚠ ATTENTION:

- LES BATTERIES CONTIENNENT DES SUBSTANCES TOXIQUES ET CORROSIVES. NE PAS LES OUVRIR.
- Les batteries contiennent des électrolytes à base d'acide.
- Ne pas provoquer de contact direct entre les plots de la batterie: risque d'explosion et d'incendie.

- Pendant le rechargement, la batterie produit des gaz. Recharger la batterie dans un lieu bien aéré, loin de toute source de chaleur et de matériaux inflammables.
- Les batteries déchargées doivent être enlevées du véhicule.
- Eviter que les batteries entrent en contact avec les vêtements: ceux-ci pourraient s'abîmer.

#### EN CAS DE FUITE

Se protéger les yeux. Eviter tout contact direct avec l'électrolyte et se protéger les mains. Mettre la batterie dans un sac en plastique et suivre les instructions sur l'élimination des batteries.

**SI LA PEAU OU LES YEUX ENTRENT EN CONTACT AVEC L'ELECTROLYTE**  
Laver abondamment les parties concernées à l'eau courante (pendant 15 minutes au moins). Consulter immédiatement un médecin.

#### EN CAS D'INGESTION DE ELECTROLYTE

Boire à petites gorgées de l'eau, du lait de magnésie ou de l'albumen d'œuf.

Ne pas provoquer de vomissement. Consulter immédiatement un médecin.

#### ELIMINATION DES BATTERIES

Contribuons à la sauvegarde de l'environnement.

Les batteries usées ne doivent pas être jetées dans les ordures ménagères.

On peut les déposer dans un centre de récupération de batteries usées ou d'élimination de déchets spéciaux; s'informer à la mairie.



### ENTRETIEN ET SÉCURITÉ DU VÉHICULE

Ce produit est conforme aux Normes de Sûreté EN 71 et conforme aux Normes de Sûreté pour les jouets électriques EN 50088; il n'est pas conforme aux dispositions des normes de circulation routière et ne peut par conséquent pas circuler sur la voie publique.

Ce produit répond et/ou dépasse tous les CONDITIONS DE SECURITE ASTM TOY et il est conforme à la NORME DE SURETE F 963 pour les utilisateurs des jouets électriques.

#### SECURITE, MAINTENANCE ET ENTRETIEN

- Contrôler régulièrement l'état du

véhicule, en particulier l'installation électrique, le branchement des fiches, les capots de protection et le chargeur de batterie. Si l'on trouve des défauts, le véhicule électrique et le chargeur de batterie ne doivent pas être utilisés. Pour les réparations, n'utiliser que des pièces de rechange d'origine PEG PEREGO.

- PEG PEREGO décline toute responsabilité en cas de mauvaise utilisation de l'installation électrique.
- Ne pas laisser les batteries ou le véhicule à proximité de sources de chaleur comme des radiateurs, des cheminées, etc.
- Protéger le véhicule de l'eau, de la pluie, de la neige, etc.
- Le véhicule peut être utilisé aussi bien sur les terrains durs que sur la pelouse ou les surfaces lourdes.
- Si le véhicule fonctionne en conditions de surcharge, comme sur le sable mou, la boue ou les terrains très accidentés, l'interrupteur de surcharge coupe immédiatement le courant. La distribution de courant reprend de 10 secondes environ, mais il faut éliminer les conditions de surcharge pour assurer la conduite normale.
- Lubrifier périodiquement (avec une huile légère) les parties mobiles comme roulements à billes, direction, etc., surtout là où ils tournent ou entrent en contact.
- Les surfaces du véhicule peuvent être nettoyées avec un chiffon humide. Ne jamais utiliser des détergents abrasifs. Les opérations de nettoyage doivent être effectuées exclusivement par des adultes.
- Ne jamais démonter les mécanismes du véhicule ou les moteurs, sauf autorisation de PEG PEREGO.

Conforme a EN 50088  
accu rechargeable da 12V 12Ah  
avec plomb sigillée  
2 moteurs de 170W

#### SECURITE

### ⚠ ATTENTION:

- Pour éviter tout risque d'accident, la supervision d'un adulte est toujours requise. Ne pas utiliser le véhicule sur les voies publiques, là où il y a des voitures, sur les pentes raides, près de gradins, d'escaliers, de cours d'eau et de piscines; Les enfant doivent toujours porter des chaussures quand ils utilisent le véhicule. Le véhicule est assemblé pour 2 enfants.
- Pour voyager sur surface lisses et

terrains accidentés: herbe, gravier, pentes jusqu'à 17%.

- Ce produit n'est pas destiné aux enfants de moins de 36 mois. La présence de petites pièces est dangereuse parce qu'elles pourraient être avalées ou inhalées.
- Le remorque il ne pas été conçu pour supporter le poids d'un enfant. La charge ne doit pas dépasser 10 Kg /22 lbs.
- Notez bien que ces ceintures font parties du jouet et elles n'offrent aucune protection.
- Ne pas utiliser le véhicule sur les pentes raides ou près de gradins et d'escaliers. Le véhicule n'est pas conçu pour l'utilisation sur les voies publiques.
- Quand le véhicule fonctionne, faire attention à ce que les enfants ne mettent pas les mains, es pieds ou d'autres parties du corps, des vêtements ou d'autres choses près des parties en mouvement.
- Ne jamais mouiller les composants du véhicule comme les moteurs, les installations, les touches, etc.
- Ne jamais utiliser d'essence ou d'autres substances inflammables près du véhicule.
- Le véhicule est assemblé pour 2 enfants.

### REGLES POUR UNE CONDUITE SURE

**JEU SANS INTERRUPTION:** toujours avoir un jeu de batteries chargées prêtes à servir.

Pour la sécurité de l'enfant, avant de mettre le véhicule en marche, lire et suivre attentivement les instructions suivantes.

#### 2nde VITESSE

Au début, nous conseillons d'utiliser la 1ere vitesse et la marche arrière. Avant de passer en 2nde vitesse, s'assurer que l'enfant a acquis une certaine familiarité avec le véhicule.

- 1ere VITESSE (pour les débutants): Mettre les deux mains sur le volant, appuyer sur la pédale d'accélérateur; le véhicule se met en marche à une vitesse d'environ 2 ¼ mph.
- 2nde VITESSE (pour les experts): Mettre les deux mains sur le volant, appuyer sur la pédale d'accélérateur; le véhicule se met en marche à une vitesse d'environ 4 ½ mph.
- MARCHE ARRIERE: Abaisser d'une main lelevier du chargement de vitesse. Mettre l'autre main sur le volant et

appuyer avec le pied sur l'accélérateur. Le véhicule part en arrière à une vitesse d'environ 2 1/4 mph.

persiste, faire contrôler la batterie et le chargeur de batterie par un centre d'assistance.

• FREIN:

Le système électrique de freinage bloque automatiquement le véhicule quand on lève le pied de la pédale d'accélérateur.

Enseigner à l'enfant à utiliser le véhicule correctement pour conduire en sécurité tout en s'amusant.

- Avant de partir, s'assurer que le parcours est libre de personnes ou de choses.
- Conduire avec les mains sur le volant et toujours regarder la route.
- Freiner à temps pour éviter les accrochages.
- Mettre en 2<sup>de</sup> vitesse quand l'enfant a appris à se servir correctement du guidon, de la 1<sup>ere</sup> vitesse et du frein.

• **En première vitesse, le véhicule bénéficie d'un effet différentiel, comme les véritables automobiles: sur des terrains dégagés et avec un enfant seulement, les deux roues peuvent présenter des vitesses différentes, ce qui peut causer un patinage/ralentissement de celles-ci.**

## PROBLEMES?

• **Si le véhicule fonctionne en conditions de surcharge, comme sur le sable mou, la boue ou les terrains très accidentés, l'interrupteur de surcharge coupe immédiatement le courant. La distribution de courant reprend au bout de 10 secondes environ, mais il faut éliminer les conditions de surcharge pour assurer la conduite normale.**

### LE VEHICULE NE MARCHE PAS?

- Vérifier qu'il n'y a pas de câbles débranchés sous la plaque de l'accélérateur.
- Vérifiez que tous les câbles du motoréducteur sont branchés.
- Contrôler le fonctionnement de la touche de l'accélérateur et le remplacer éventuellement.
- Contrôler si la batterie est branchée à l'installation électrique.

### LE VÉHICULE MANQUE DE PUISSANCE?

- Recharger la batterie. Si après 'avoir rechargée le problème









# STOP!

## Do not return your vehicle to the store!

We're a toll-free phone call away and we can help.  
If you are missing parts or need assistance, please see the contact information below.

# ¡ALTO!

## ¡No vuelva su vehículo al almacén!

Somos una llamada telefónica gratis lejos y podemos ayudar.  
Si usted es piezas que falta o necesita ayuda, vea por favor la información del contacto abajo.

# ARRÊTEZ!

## Ne renvoyez pas votre véhicule à la mémoire !

Nous sommes un appel téléphonique en service libre appel loin et nous pouvons aider.  
Si vous êtes les pièces manquantes ou avez besoin d'aide, voir s'il vous plaît l'information de contact ci-dessous.

**Model Number IGOD0049**

**PEG PEREGO U.S.A Inc.**  
3625 INDEPENDENCE Dr. FORT WAYNE IN 46808  
fax 260-4842940  
call us toll free 1-800-728-2108  
llame USA gratis 1-800-225-1558  
llame Mexico gratis 1-800-710-1369

**(Please have model number available when calling.)**

**PEG PEREGO CANADA Inc.**  
585 GRANITE COURT PICKERING ONT. CANADA L1W3K1  
phone 905-8393371 fax 905-8399542  
call us toll free 1-800-661-5050

**PEG PEREGO S.p.A.**  
via DE GASPERI 50 20043 ARCORE (MI) ITALIA



[www.pegperego.com](http://www.pegperego.com)