

## YCT SERIES ELECTROMAGNETIC SPEED ADJUSTABLE MOTORS

**FRAME:** 112~355  
**DUTY TYPE:** S1  
**PROTECTION:** IP21

**POWER:** 0.55KW~90KW  
**INSULATION:** B  
**SPEED RATIO:** 1 : 10



**Features & Applications:** YCT Series electromagnetic speed adjustable motor is featured with easy control and stepless speed variation within a wide speed range. Could adjust the speed steplessly with constant torque, such as fans, pumps and other equipments with decreasing load.

**Use Conditions:** Altitude not exceeding 1000 M above sea level. Ambient temperature subject to seasonal variations but not exceeding 40°C; No corrosive & explosive gases, etc.

### Performance Data

**380V / 415V / 440V ; 50Hz/ 60Hz**

Model	Nominal Output kW	Rated Torque N.m	Speed Range r/min	Model	Nominal Output kW	Rated Torque N.m	Speed Range r/min
YCT112-4A	0.55	3.6	1230~125	YCT225-4B	15	94	1250~125
YCT112-4B	0.75	4.9	1230~125	YCT250-4A	18.5	110	1320~132
YCT132-4A	1.1	7.1	1230~125	YCT250-4B	22	137	1320~132
YCT132-4B	1.5	9.7	1230~125	YCT280-4A	30	189	1320~132
YCT160-4A	2.2	14.1	1250~125	YCT315-4A	37	232	1320~132
YCT160-4B	3	19.2	1250~125	YCT315-4B	45	282	1320~132
YCT180-4A	4	25.2	1250~125	YCT355-4A	55	344	1340~440
YCT200-4A	5.5	36.1	1250~125	YCT355-4B	75	469	1340~440
YCT200-4B	7.5	47.7	1250~125	YCT355-4C	90	564	1340~600
YCT225-4A	11	69	1250~125				

Notes 1: The nominal output is the rated output of the driving motor.

The output of the regulating shaft is:

$$P_2 = \frac{T_2 \times n_2}{9.55} \times 0.001$$

$P_2$  — output power kW

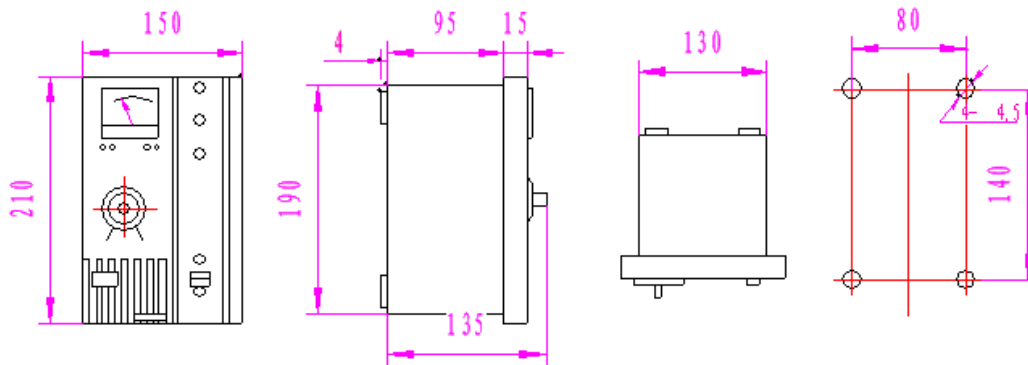
$T_2$  — output torque N·m

$n_2$  — output speed r/min

Notes 2: All data subject to change without notice. Use only certified data for purchases.



**Model CTK (JD1) eddy-current coupling drive controllers (Motor Controller)**



Technical Data of Controller

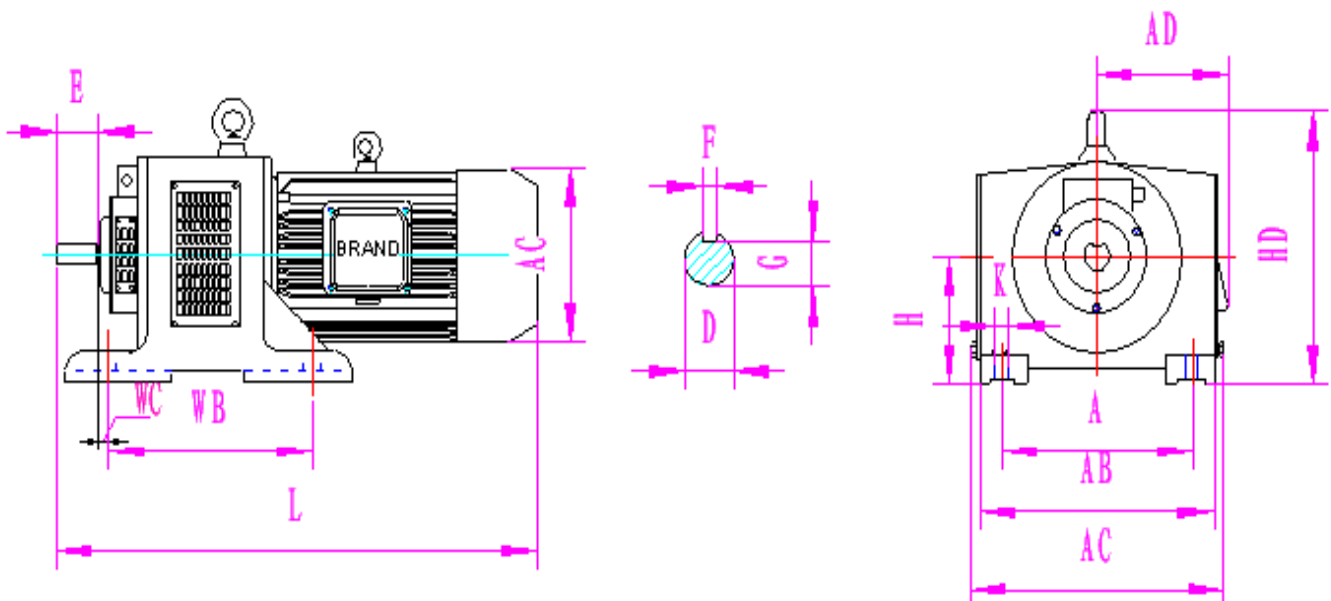
380V / 415V / 440V ; 60Hz/ 50Hz

Model		CTK-A30 (JD1A-40)	CTK-A90 (JD1A-90)	CTK-B30 (JD1B-40)	CTK-B90 (JD1B-90)
Input Power	voltage V	220±10%			
	Frequency Hz	50±2%			
DC Rated Output	voltage V	≥80			
	current A	4	6.3	4	6.3
Power of controlled motor KW		0.55~30	37~90	0.55~30	37~90
Speed variation ratio %		2.5		1.0	
Accuracy of speed stability %		≤1			
Terminal Mark		input 1 - phase terminal 2 - zero line		output 3 + 4 -	tachogenerator 5 6 7

Notes: The output current of the controller can be withstanding 20% overload within 10min.

**Dimensions for Foot mounted type (YCT)**

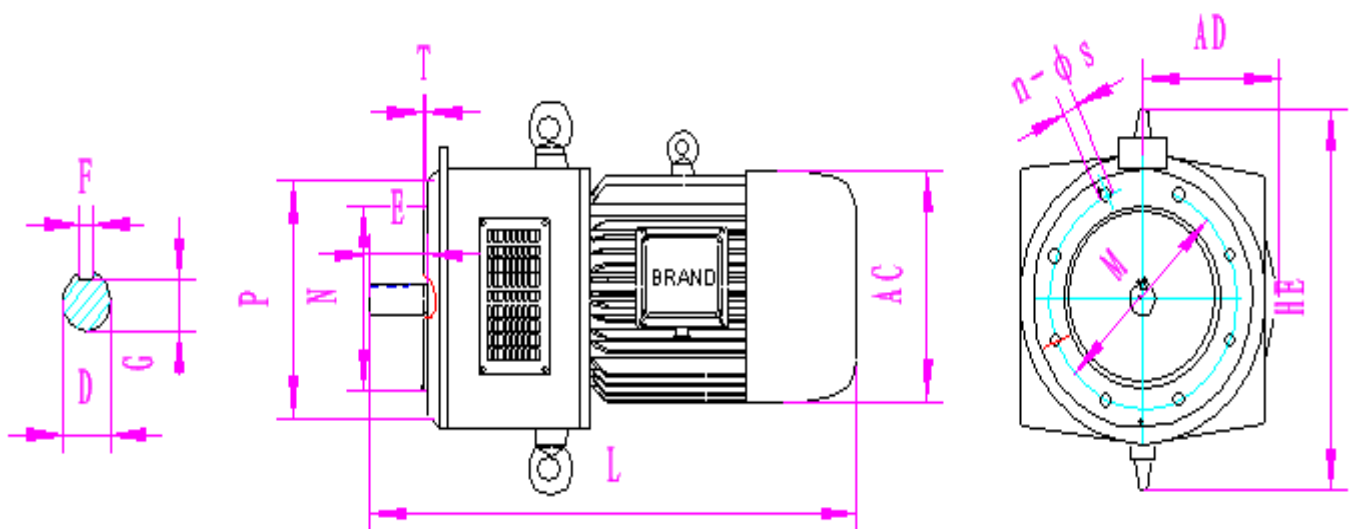
mm



Model	Mounting Dimensions									Overall Dimensions				
	A	WB	WC	E	H	D	F	G	K	AB	AC	AD	HD	L
YCT112-4A	190	210	40	40	112	19	6	15.5	12	240	260	150	280	520
YCT112-4B	190	210	40	40	112	19	6	15.5	12	240	260	150	280	520
YCT132-4A	216	241	40	50	132	24	8	20	12	285	310	165	330	570
YCT132-4B	216	241	40	50	132	24	8	20	12	285	310	165	330	585
YCT160-4A	254	267	45	60	160	28	8	24	15	330	350	185	385	665
YCT160-4B	254	267	45	60	160	28	8	24	15	330	350	185	385	665
YCT180-4A	279	305	45	60	180	28	8	24	15	365	385	195	430	700
YCT200-4A	318	356	50	80	200	38	10	33	19	410	430	235	485	820
YCT200-4B	318	356	50	80	200	38	10	33	19	410	430	235	485	860
YCT225-4A	356	406	56	110	225	42	12	37	19	465	485	270	545	980
YCT225-4B	356	406	56	110	225	42	12	37	19	465	485	270	545	1025
YCT250-4A	406	457	63	110	250	48	14	42.5	24	520	540	295	595	1130
YCT250-4B	406	457	63	110	250	48	14	42.5	24	520	540	295	595	1170
YCT280-4A	457	508	70	110	280	55	16	49	24	575	595	320	665	1280
YCT315-4A	508	560	89	140	315	60	18	53	28	645	670	345	770	1400
YCT315-4B	508	560	89	140	315	60	18	53	28	645	670	345	770	1425
YCT355-4A	610	630	108	140	355	65	18	58	28	755	780	390	890	1550
YCT355-4B	610	630	108	140	355	75	20	67.5	28	755	780	420	890	1630
YCT355-4C	610	630	108	140	355	75	20	67.5	28	755	780	420	890	1680

**Dimensions for Vertical Type (YCTL)**

mm



Model	Mounting Dimensions										Overall Dimensions			
	D	E	F	G	M	N	P	n	S	T	AC/2	AD	HE	L
YCTL112-4A	19	40	6	15.5	215	180	250	4	15	4	125	150	333	515
YCTL112-4B	19	40	6	15.5	215	180	250	4	15	4	125	150	333	515
YCTL132-4A	24	50	8	20	215	180	250	6	15	4	142	155	391	580
YCTL132-4B	24	50	8	20	215	180	250	6	15	4	142	155	391	580
YCTL160-4A	28	60	8	24	265	230	300	6	15	4	165	185	445	620
YCTL160-4B	28	60	8	24	265	230	300	6	15	4	165	185	445	665
YCTL180-4A	28	60	8	24	265	230	300	6	15	5	180	190	485	670
YCTL200-4A	38	80	10	33	300	250	350	6	19	5	205	210	530	840
YCTL200-4B	38	80	10	33	300	250	350	6	19	5	205	210	530	840
YCTL225-4A	42	110	12	37	350	300	400	6	19	5	225	255	582	970
YCTL225-4B	42	110	12	37	350	300	400	6	19	5	225	255	582	1015
YCTL250-4A	48	110	14	42.5	400	350	450	8	19	5	250	285	642	1130
YCTL250-4B	48	110	14	42.5	400	350	450	8	19	5	250	285	642	1170
YCTL280-4A	55	110	16	49	450	400	500	8	19	5	286	320	740	1270

KINDLY NOTE WE CAN SUPPLY POWER UPTO 160KW, ACCORDING TO CUSTOMERS' REQUEST.