

heating below

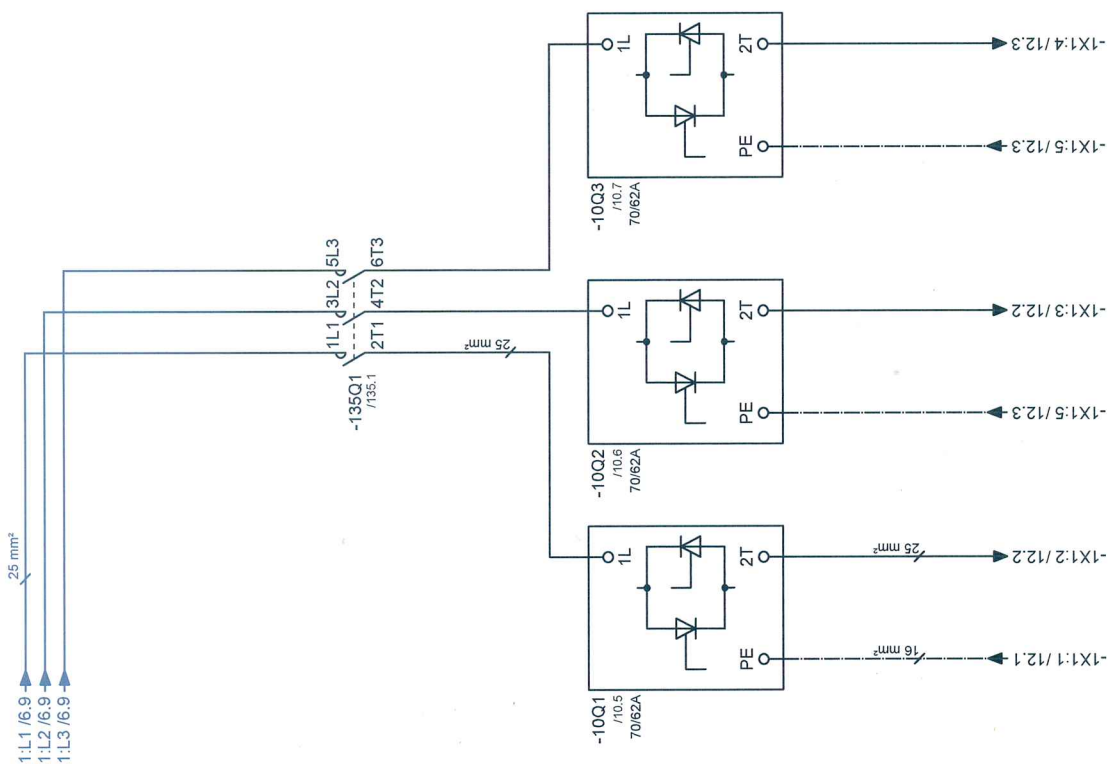
heating top

B = bottom
R = rear wall
S = side
T = door

-11E1
+DOKU/5.1
HE - calculation:
602213978

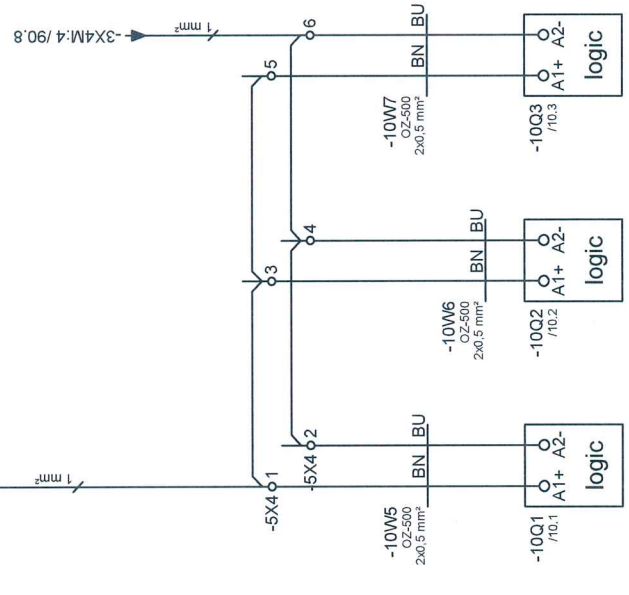
0 1 2 3 4 5 6 7 8 9

-6Q1:L1 /6.9 - 25 mm²
 -6Q1:L2 /6.9 - 25 mm²
 -6Q1:L3 /6.9 - 25 mm²



main circuit heating

Control semiconductor relay heating furnace
-10Q1:A1+
Q9.0
/113.3
-103K4.1
DO8
-X1 9



Control semiconductor relay
heating furnace