

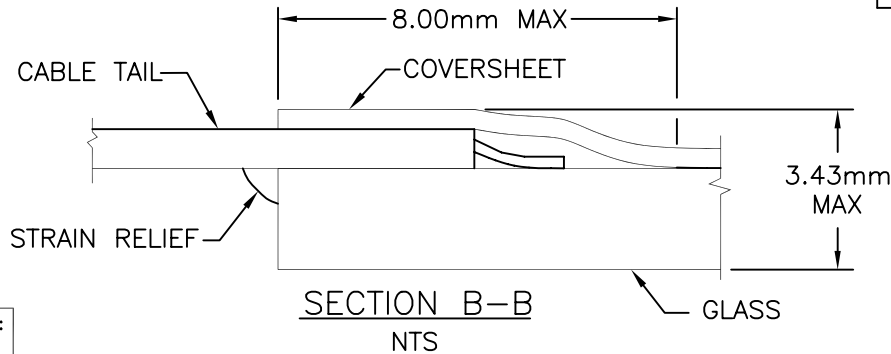
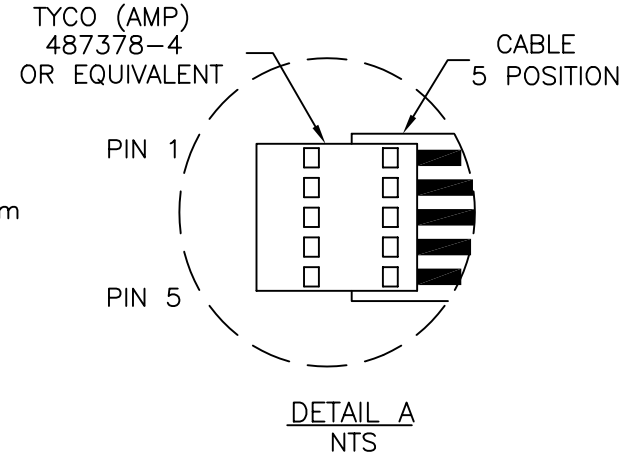
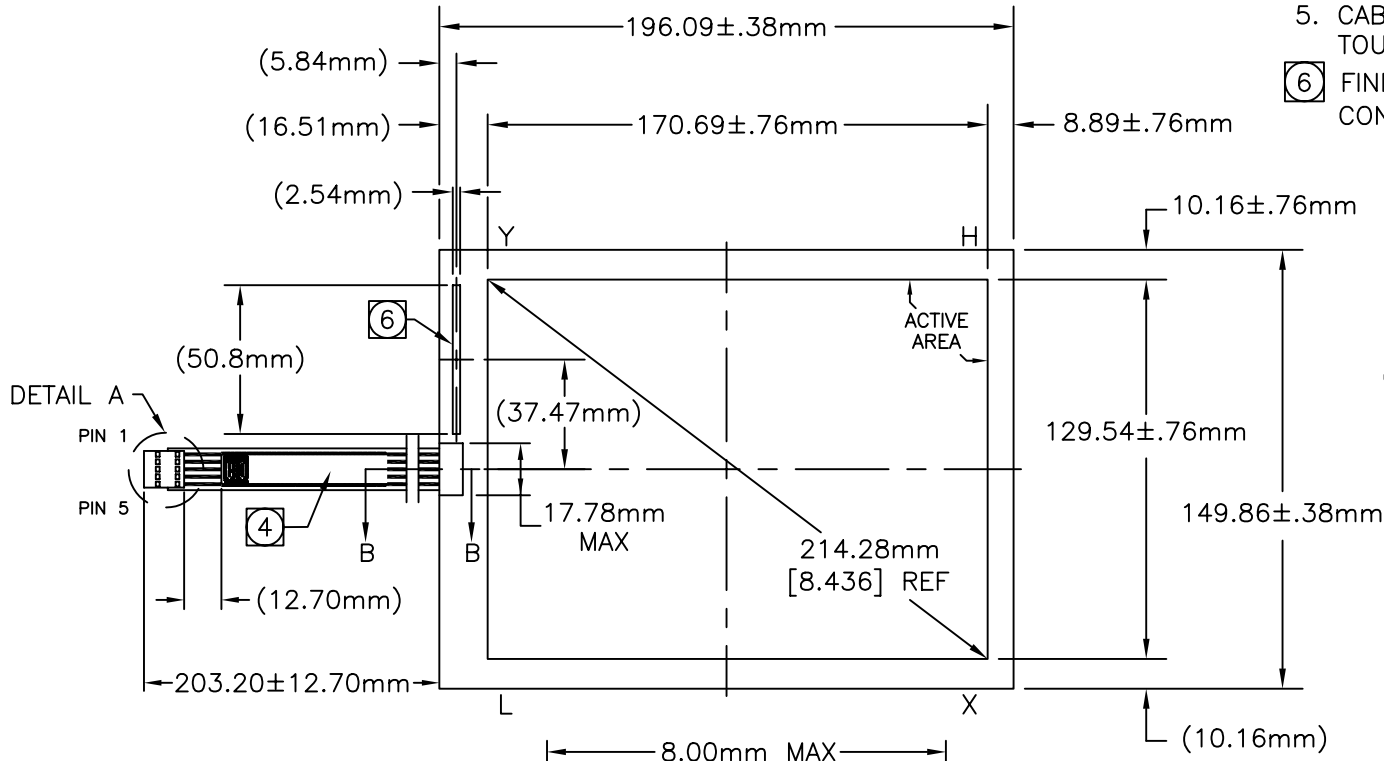


| CONNECTOR PINOUT |             |
|------------------|-------------|
| PIN NO.          | DESIGNATION |
| 1                | H           |
| 2                | X           |
| 3                | S           |
| 4                | Y           |
| 5                | L           |

ACCUTOUCH® TOUCHSCREEN  
 SCN-A5-FLT08.4-Z01-OH1-R  
 ELO P/N: E494781

**NOTES:**

- GLASS THICKNESS 2.36mm NOMINAL.
- FINISHED PART THICKNESS 2.67mm NOMINAL.
- FINISHED PART THICKNESS AT CABLE ATTACHMENT AREA 3.43mm MAX.
-  LABEL TO BE ATTACHED TO FRONT SIDE OF CABLE
- CABLE IS ATTACHED TO THE LEFT SIDE OF TOUCHSCREEN AT CENTER POINT AS SHOWN.
-  FINISHED PART THICKNESS AT THE COVERSHEET CONTACT 3.05mm MAX.



UNLESS OTHERWISE SPECIFIED:  
 DIMENSIONS ARE IN mm