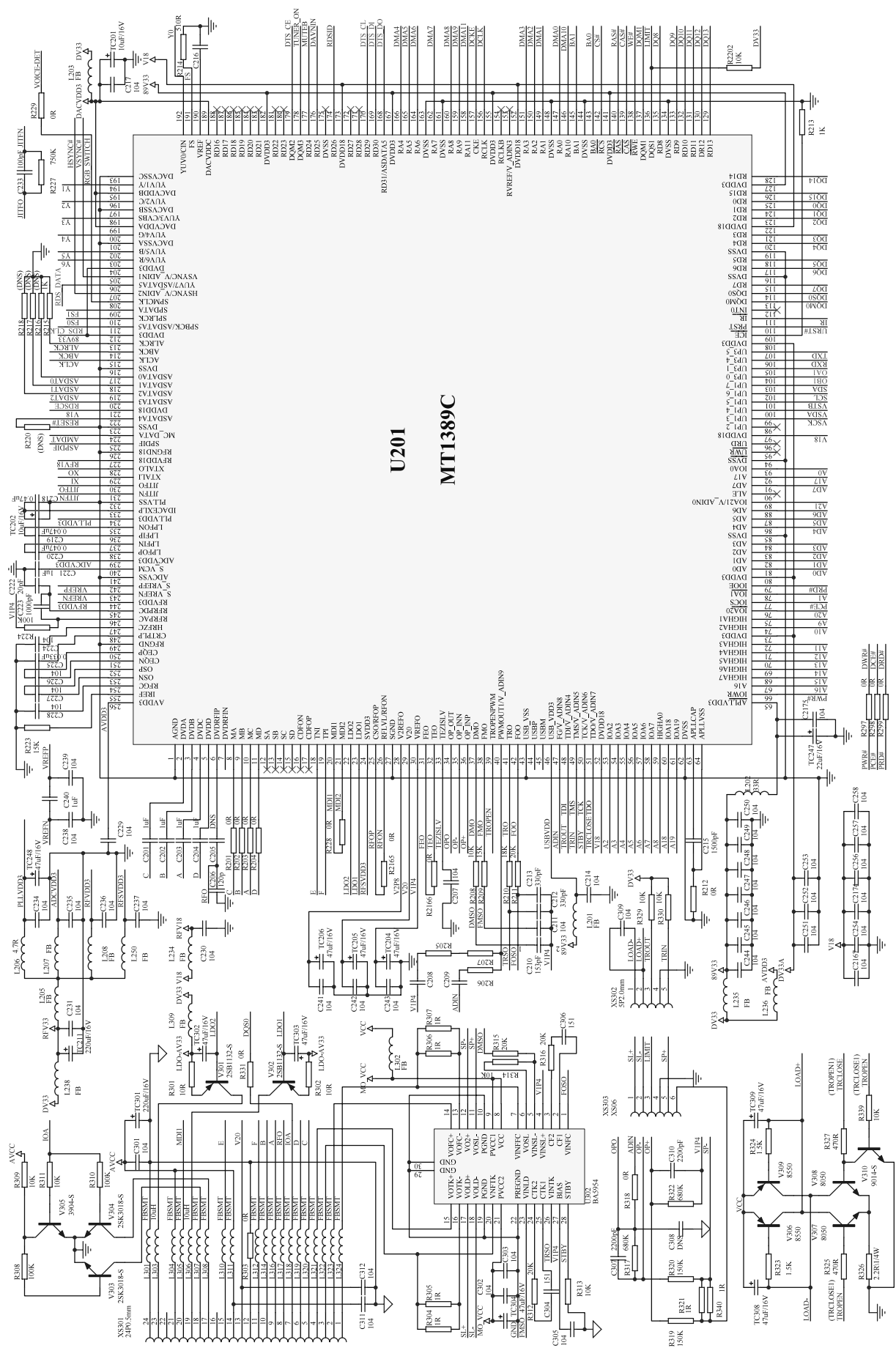
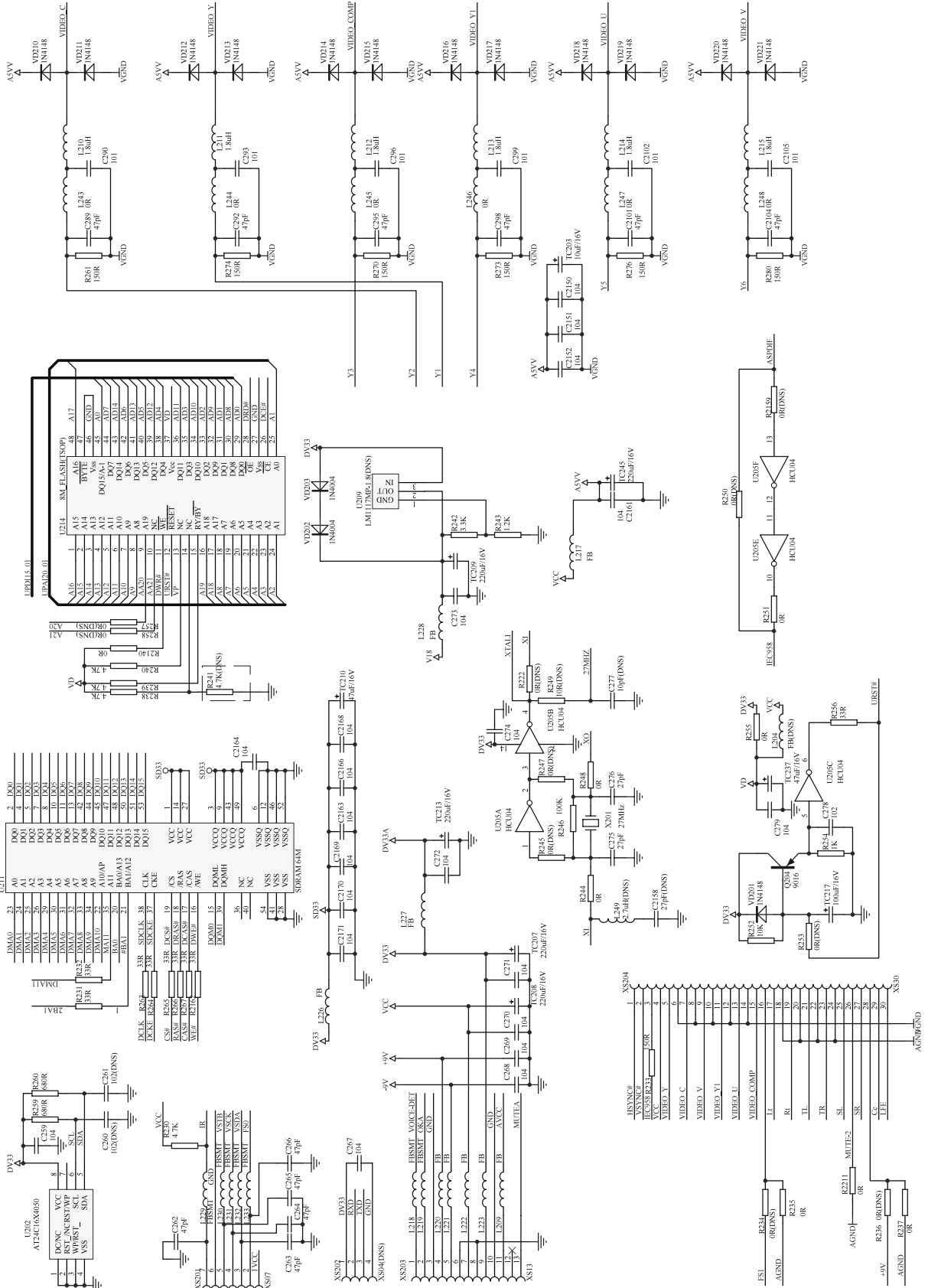


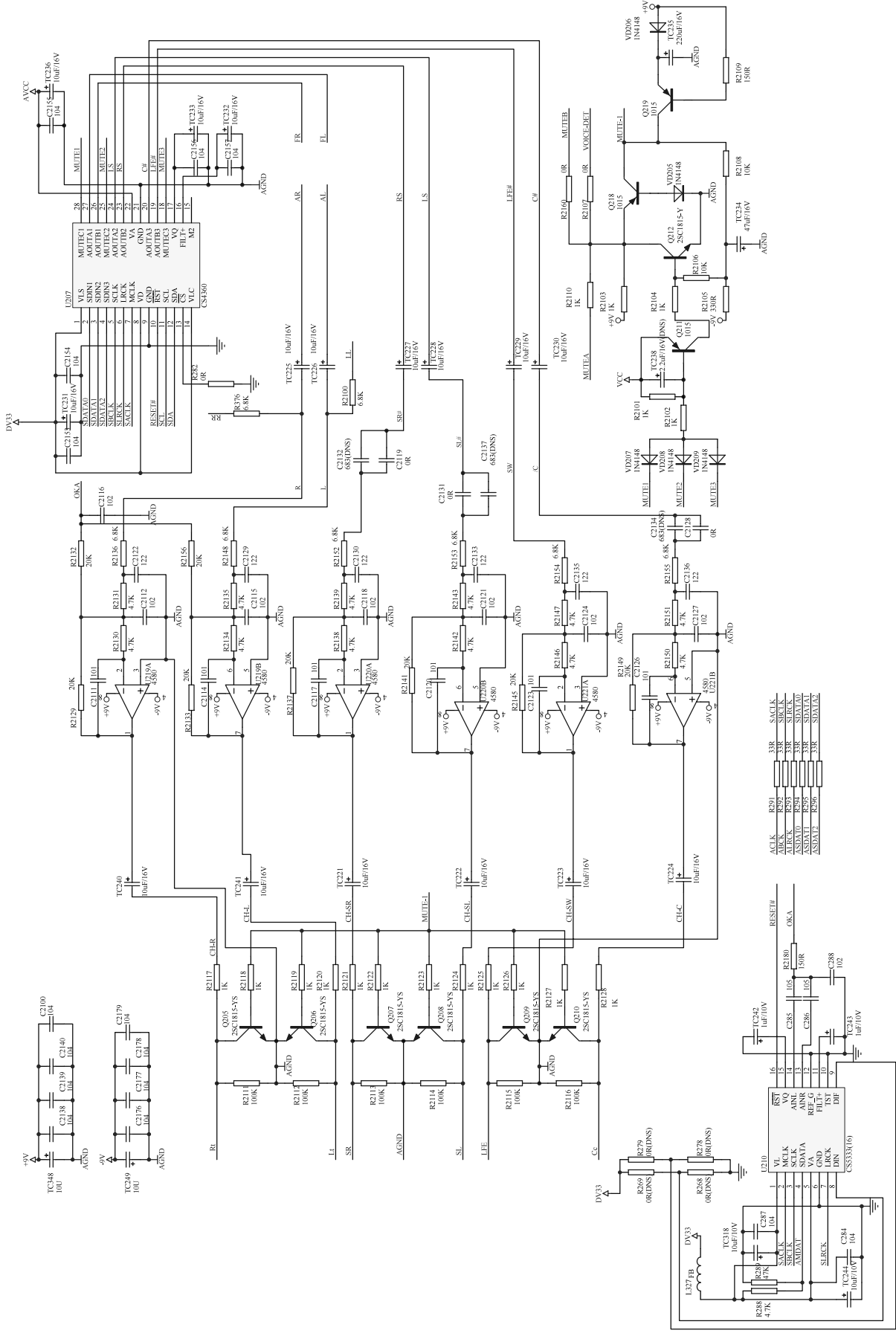
### 5.1.1 MPEG&SERVO 1 BOARD



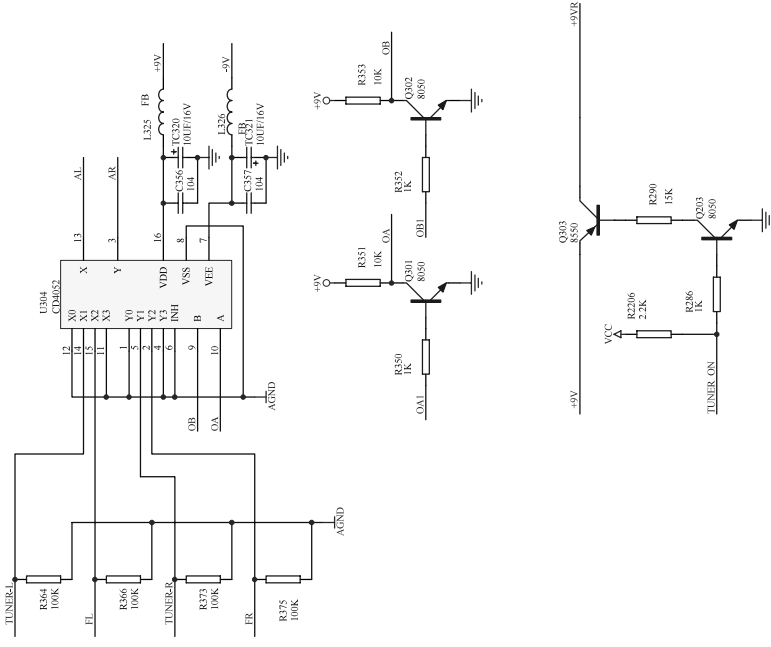
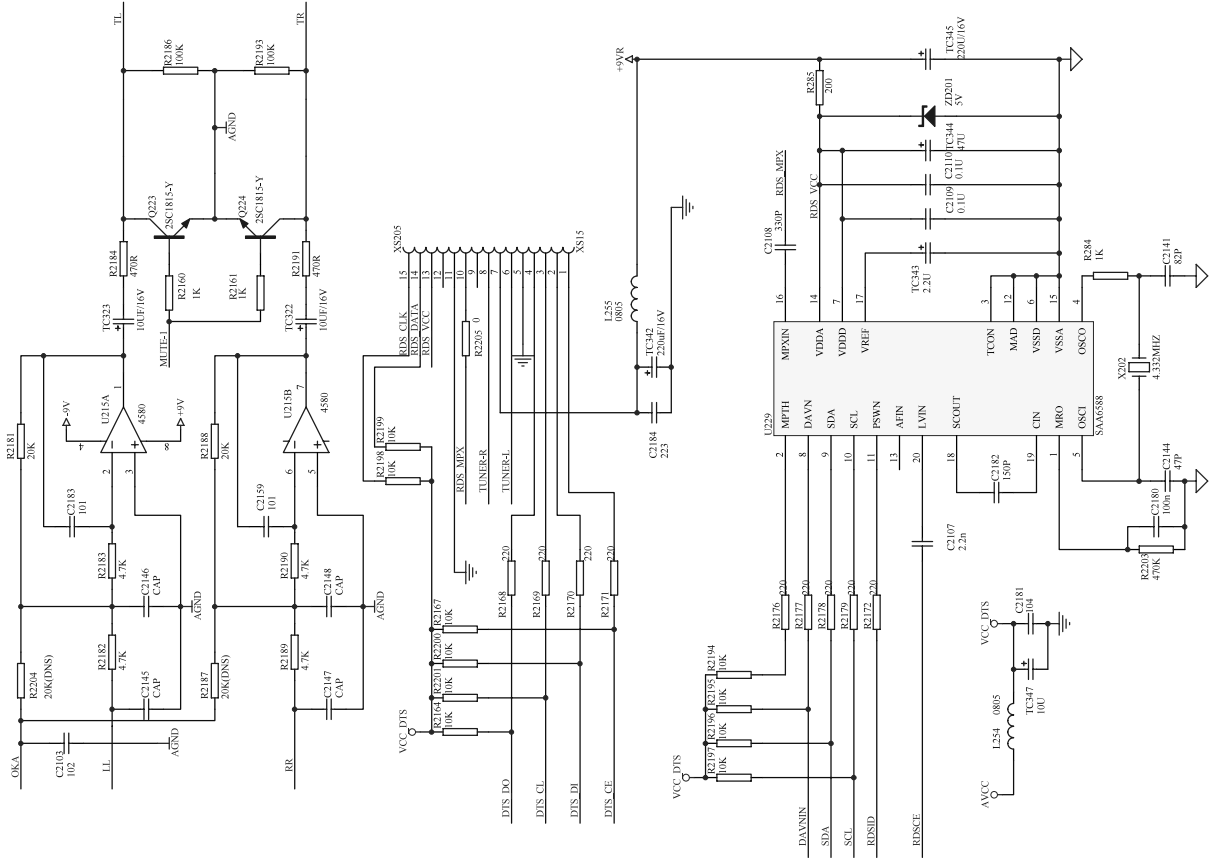
## 5. 1. 2 MPEG&SERVO 2 BOARD



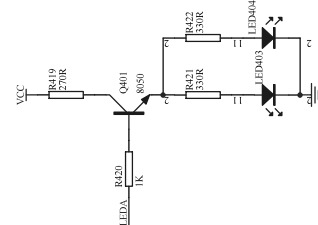
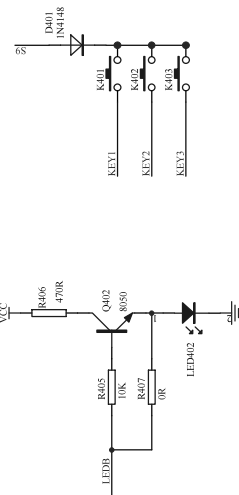
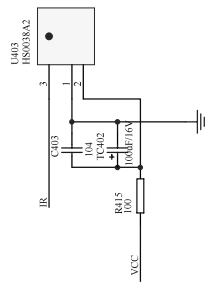
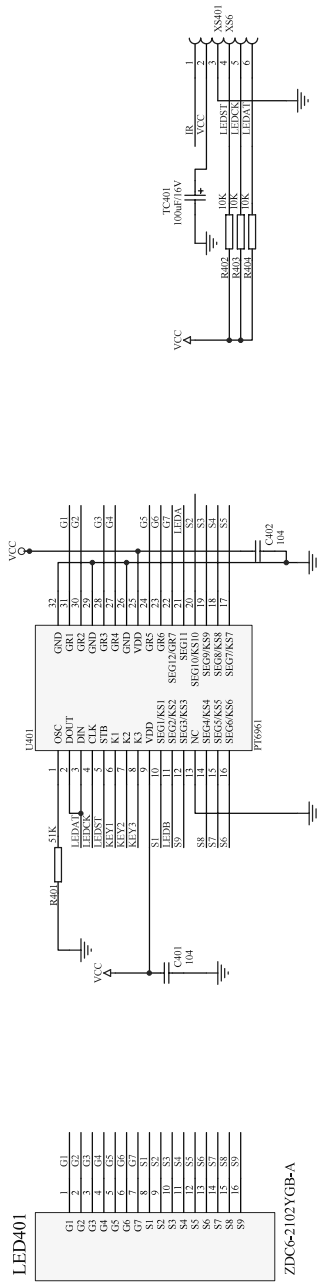
### 5.1.3 MPEG&SERVO 3 BOARD



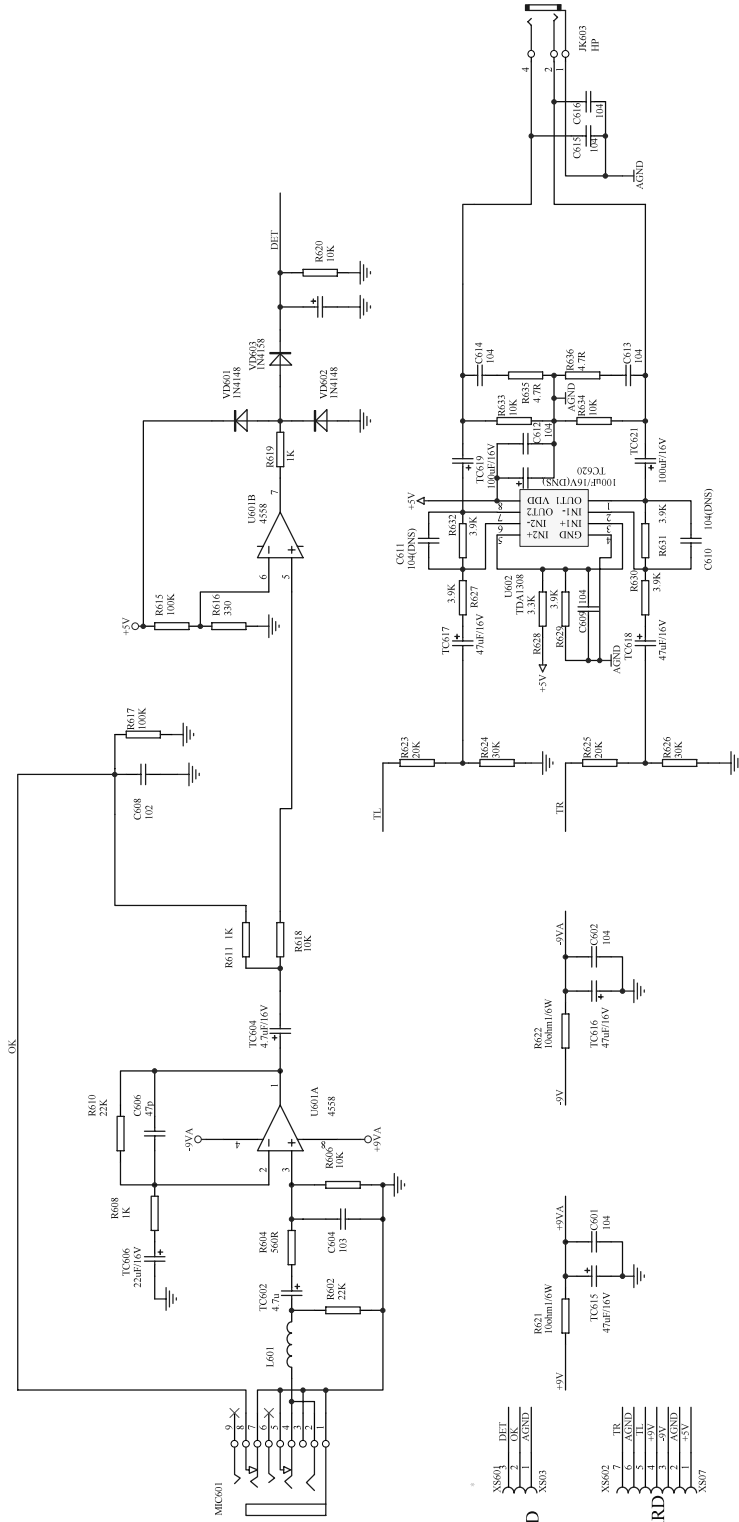
### 5.1.4 MPEG&SERVO 4 BOARD



### 5.1.5 KEY SCAN BOARD



### 5.1.1.6 MIC BOARD



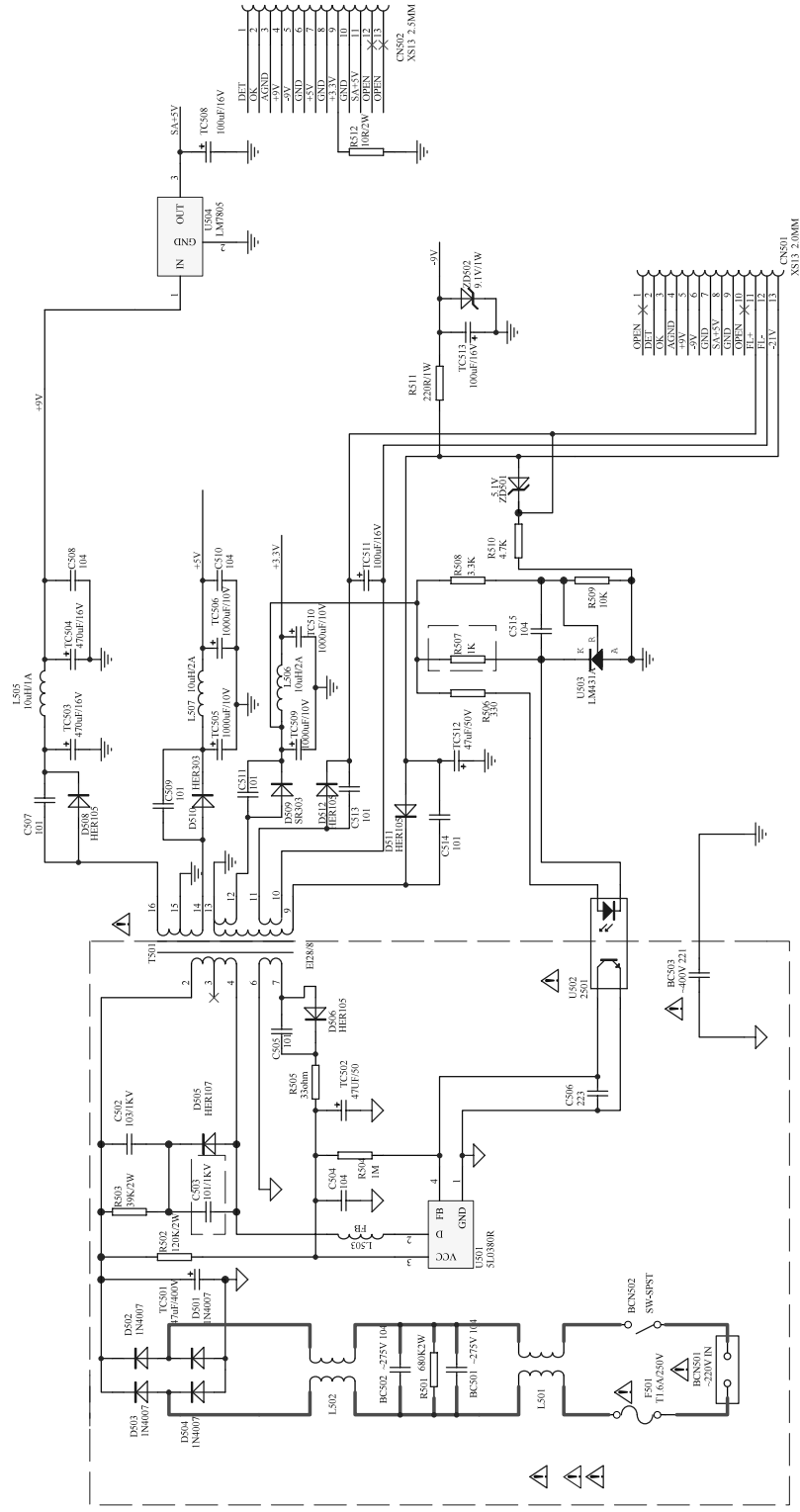
FROM MPEG BOARD

- XS604 DET
- 2 OK
- 1 AGND
- XS87

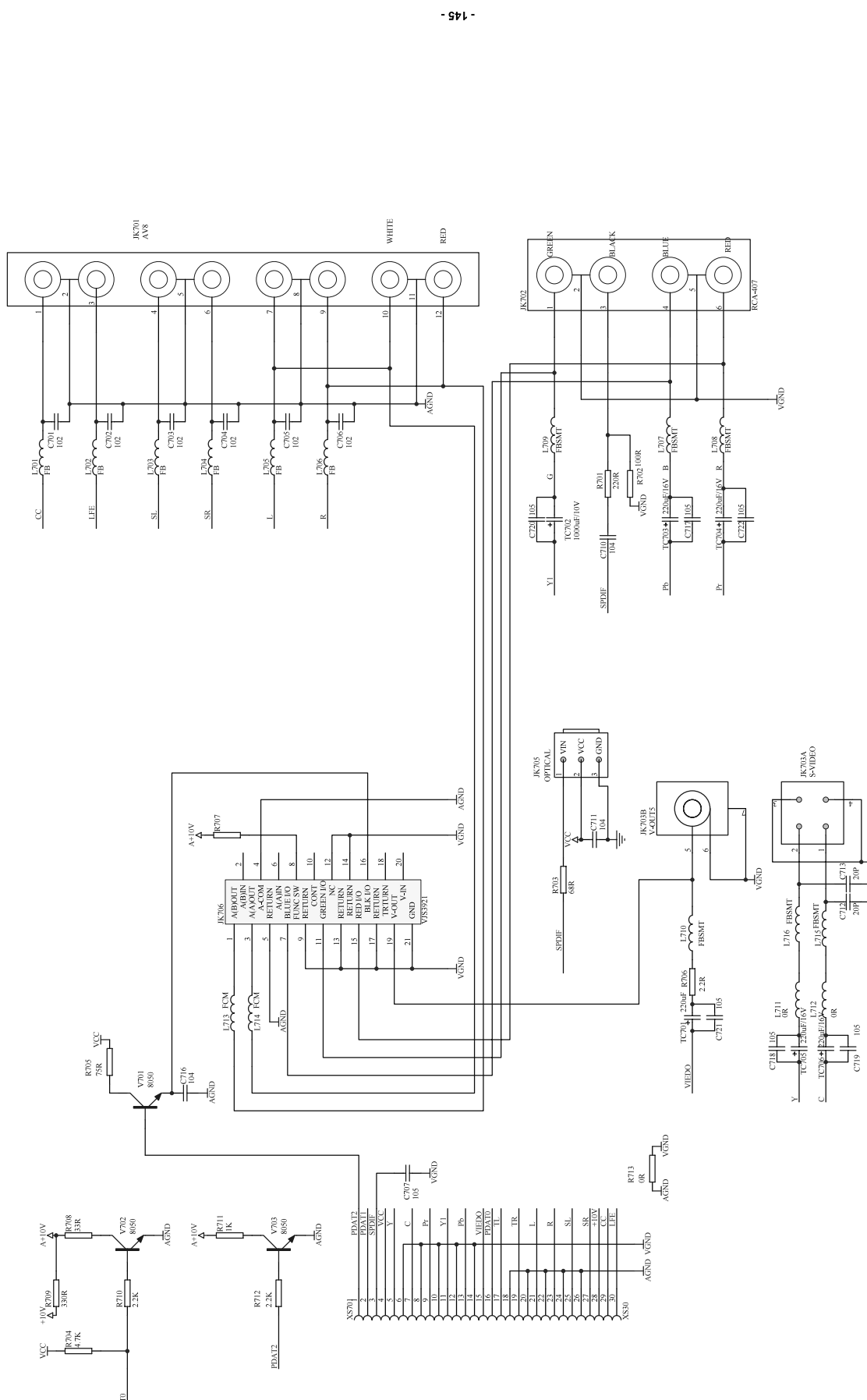
TO POWER AND AV BOARD

- XS602 TR
- 6 AGND
- 5 TL
- 4 +5V
- 3 -5V
- 2 AGND
- 1 +5V
- XS87

### 5.1.1.7 POWER BOARD



# 5.1.8 AV OUTPUT BOARD





This document was created with Win2PDF available at <http://www.daneprairie.com>.  
The unregistered version of Win2PDF is for evaluation or non-commercial use only.