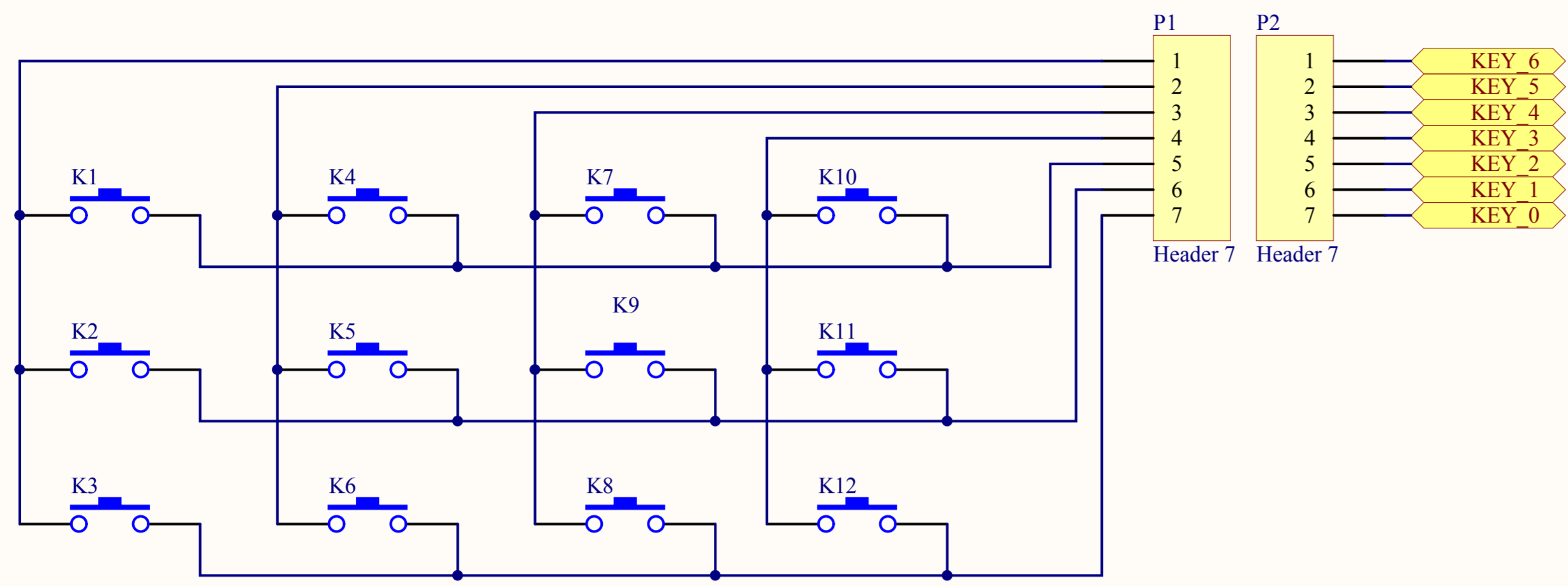
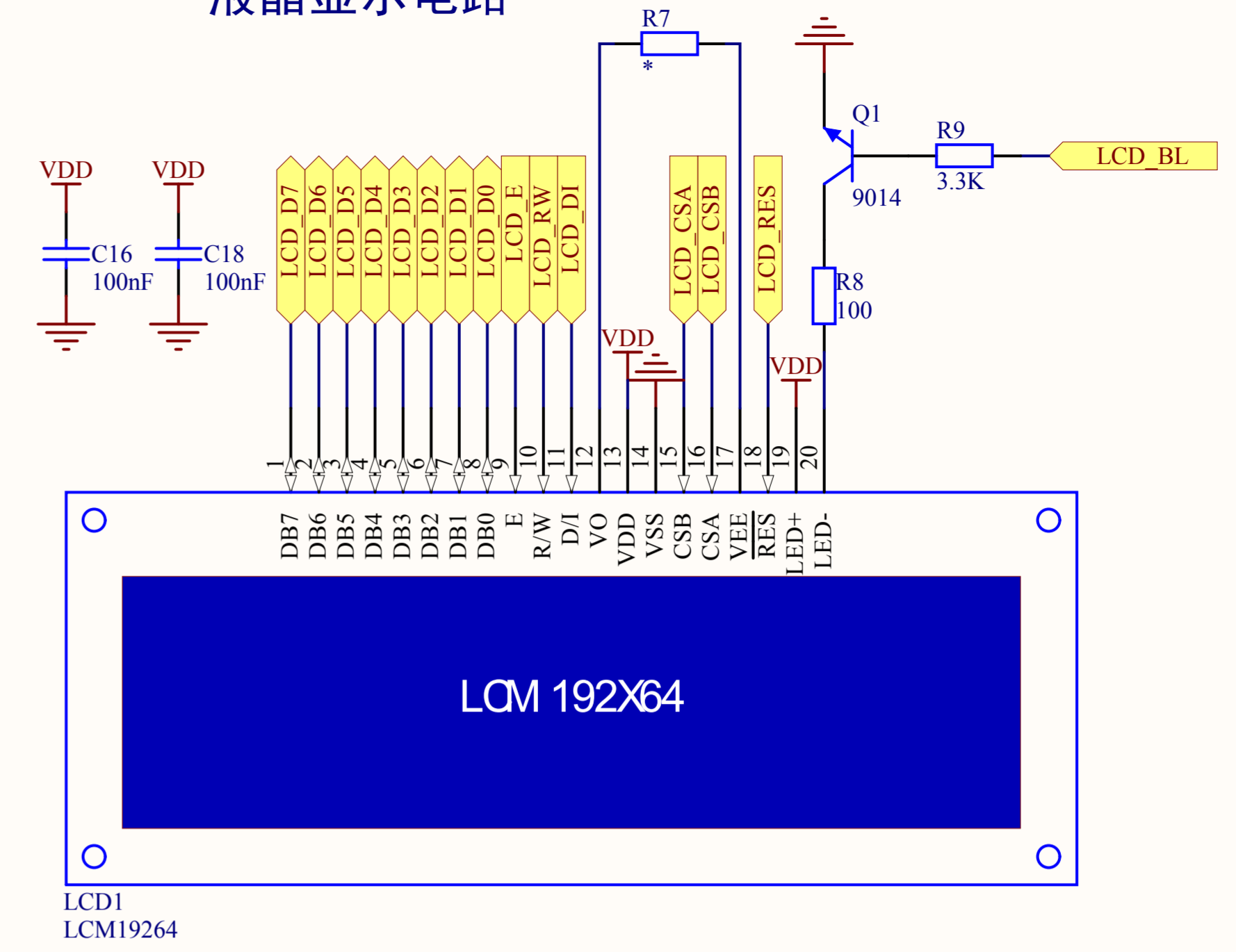


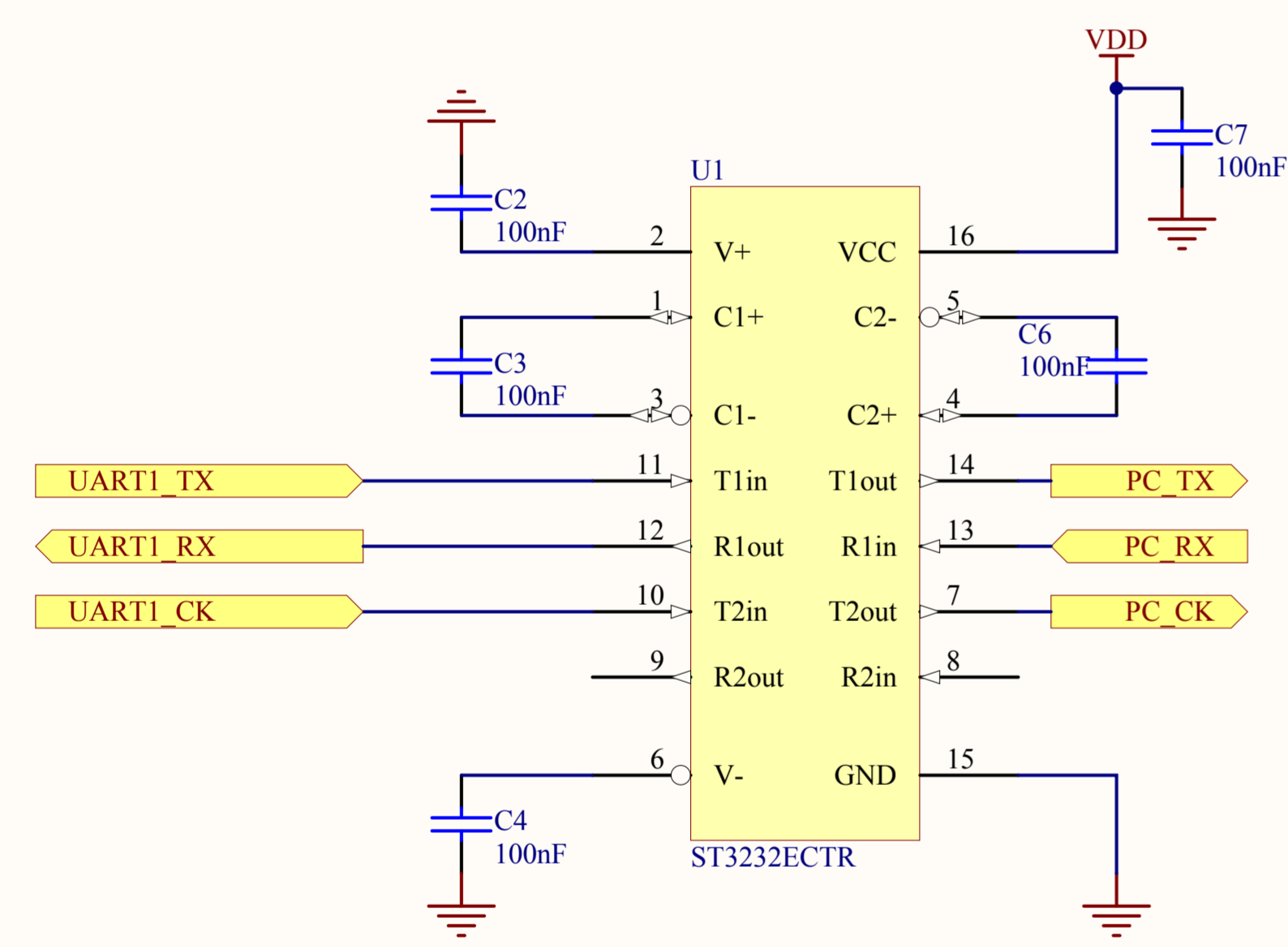
矩阵键盘



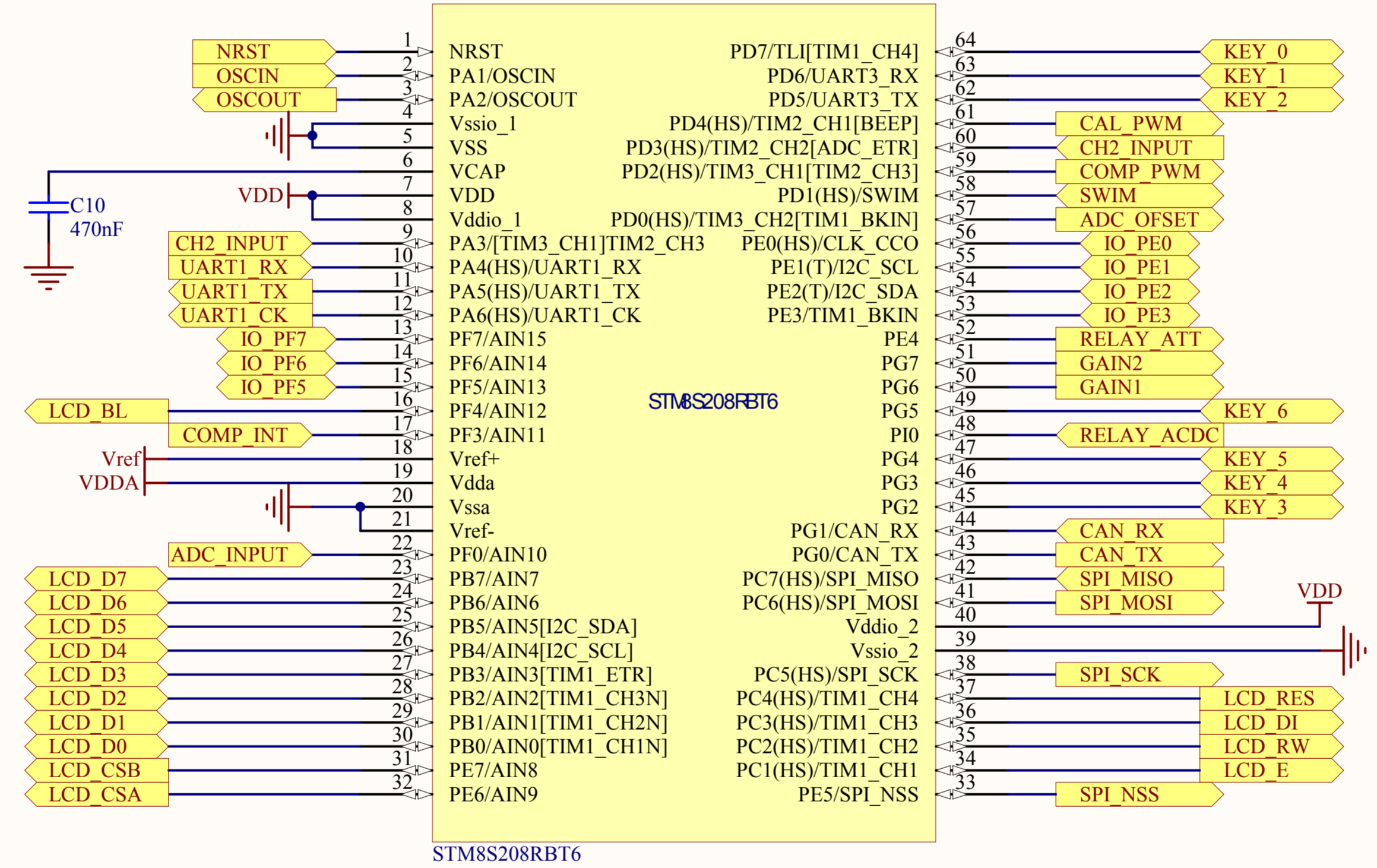
液晶显示电路



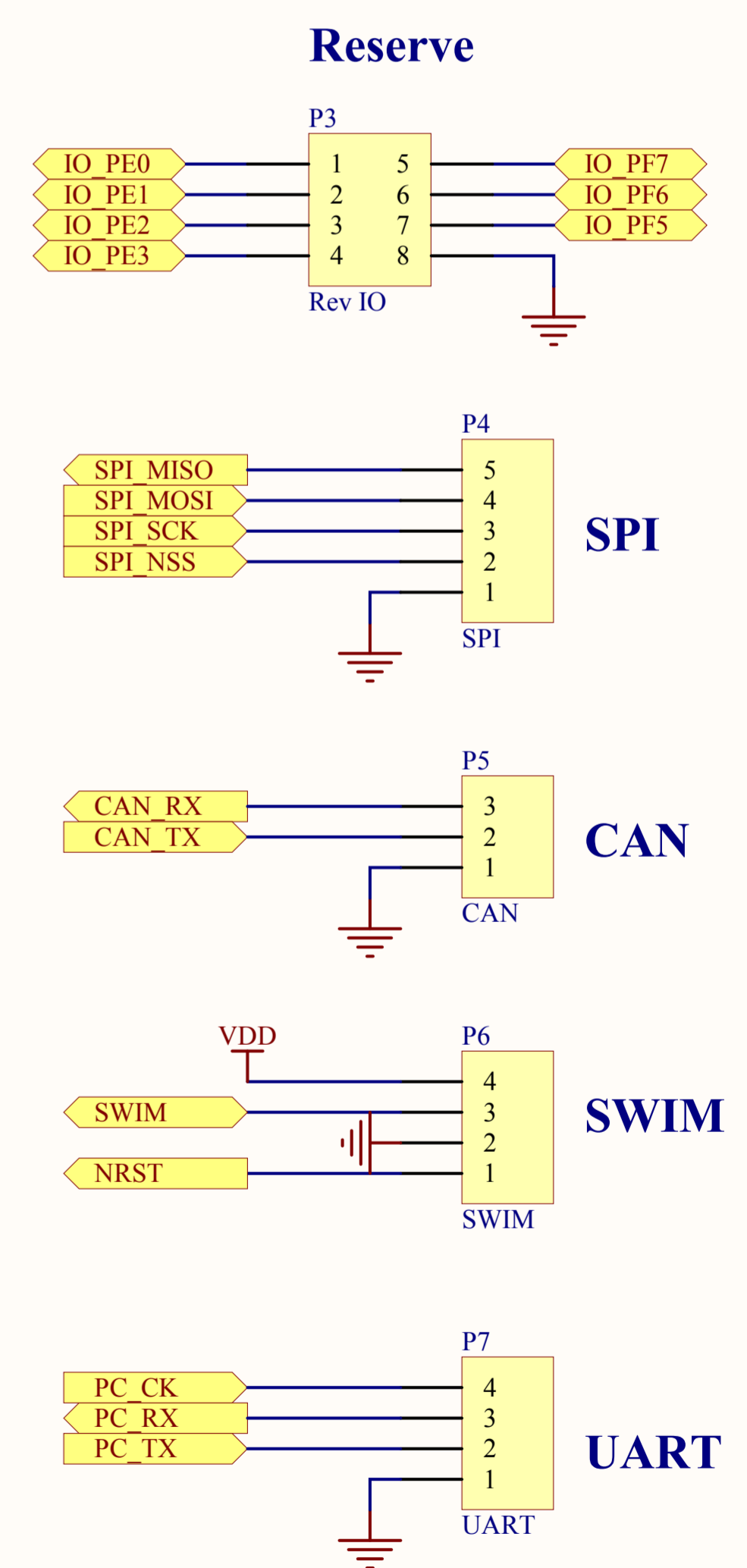
串口通信调试



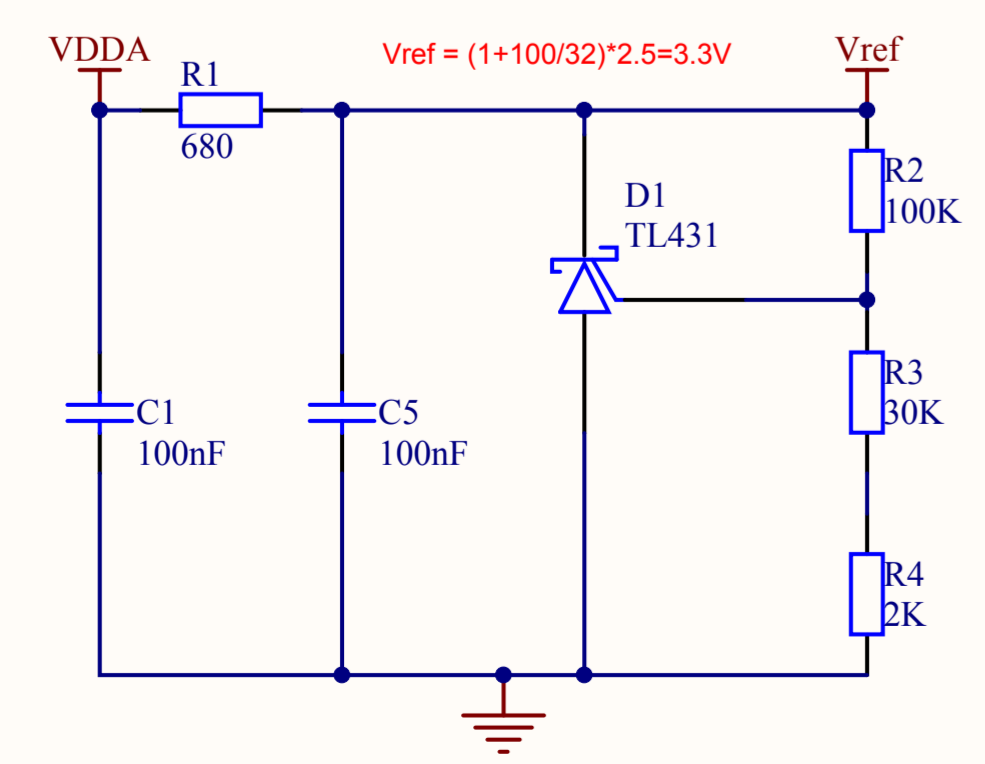
MCU



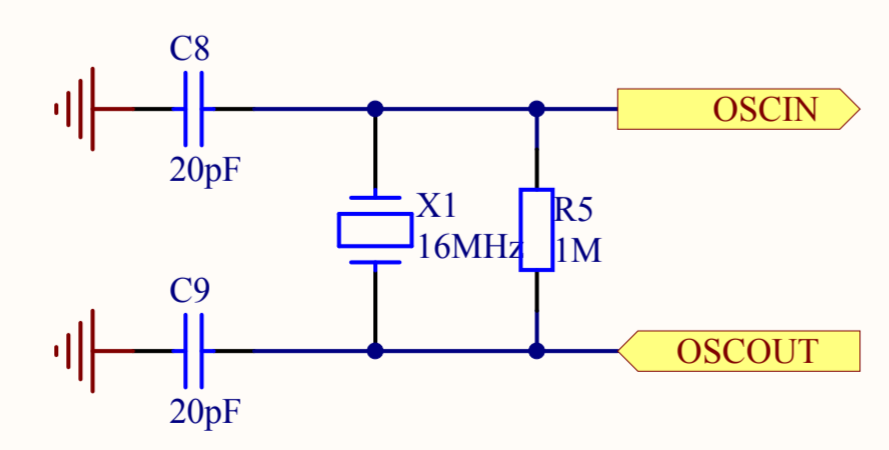
接口



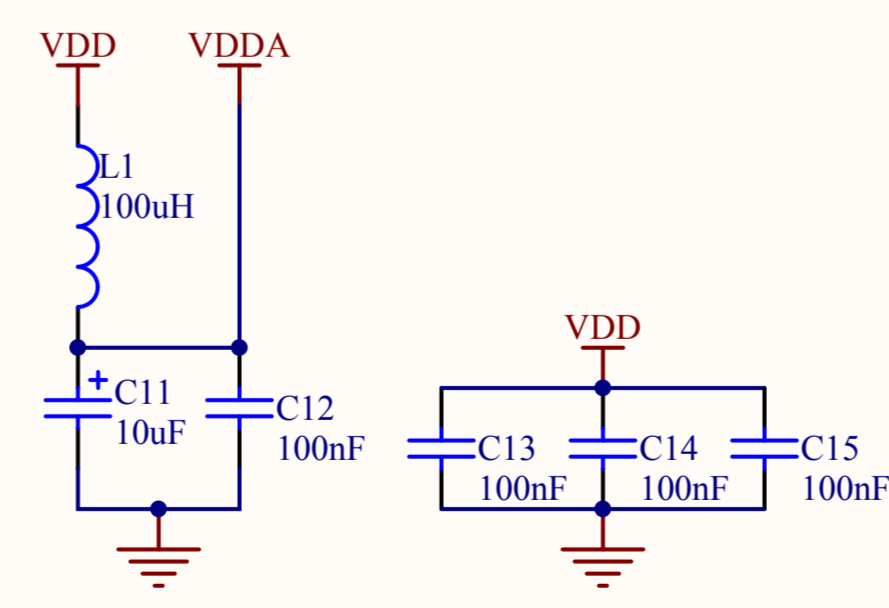
参考电压产生 (+3.3V)



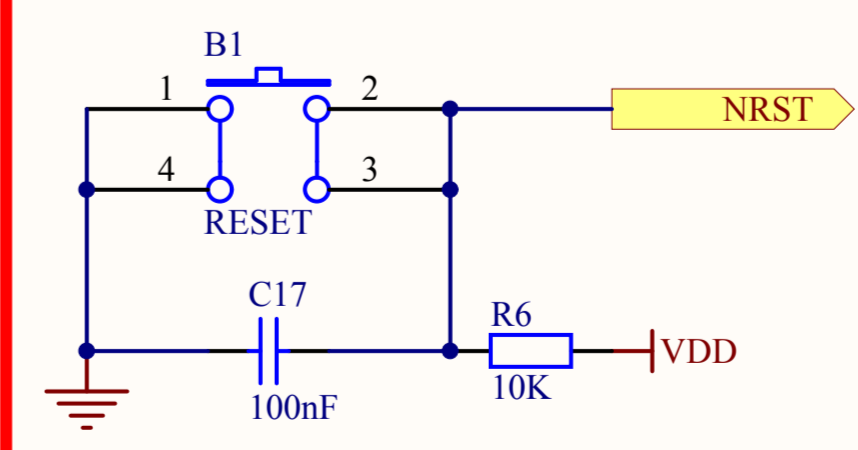
时钟电路



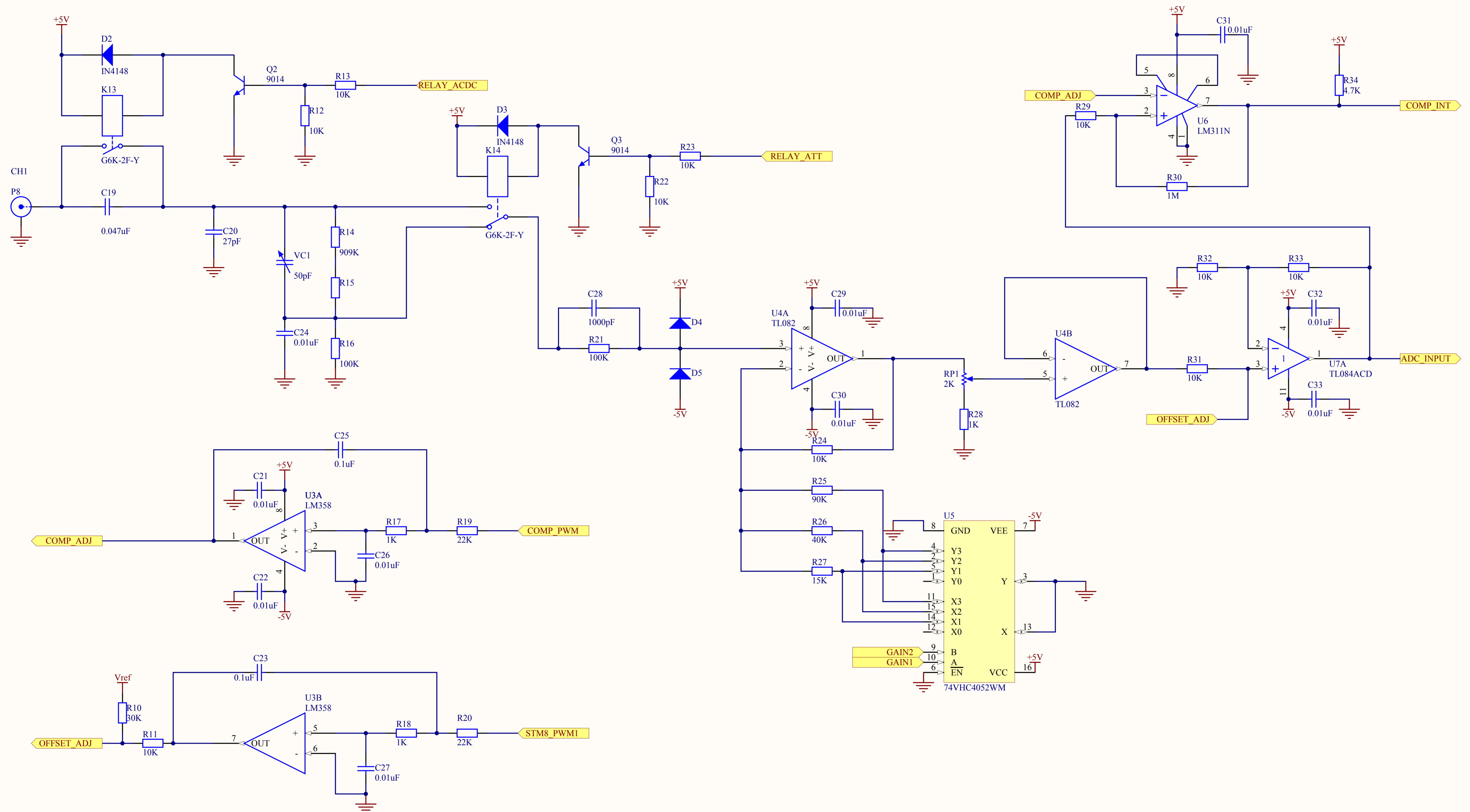
去耦电容



复位电路

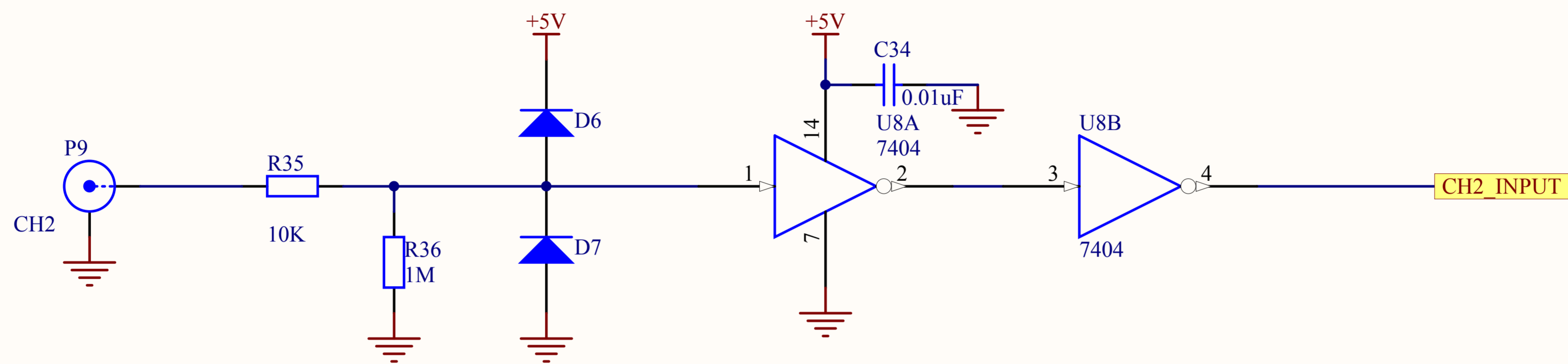


Title			Digital Part
Size	Number	Revision	
A3		V 0.4	
Date:	2009-4-9	Sheet of	1/4
File:	C:\Documents and Settings\...Digital Part.SchDoc By: www.ourdev.cn		

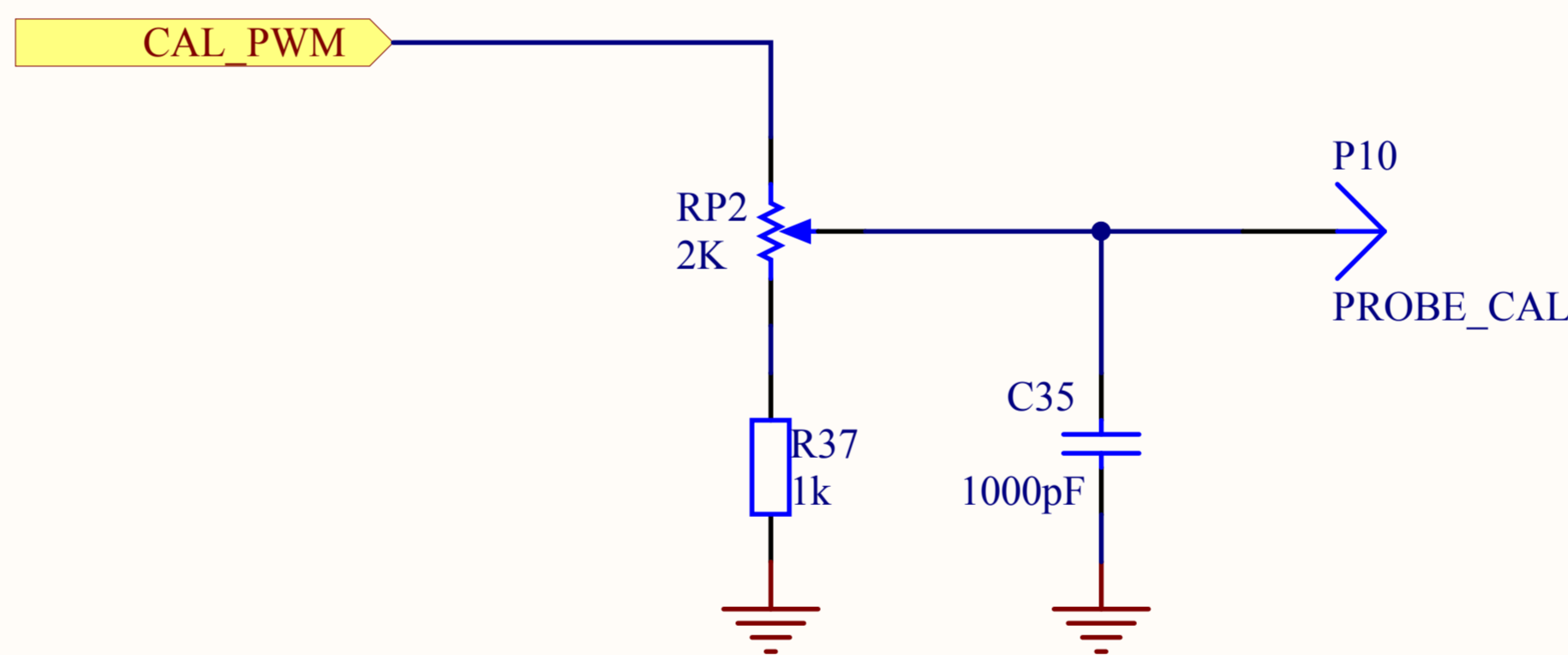


Title			CH1_ANALOG		
Size	Number	Revision		V0.4	
A3					
Date:	2009-4-9	Sheet of	2/4		
File:	C:\Documents and Settings\...CH1_ANALOG.DOC				

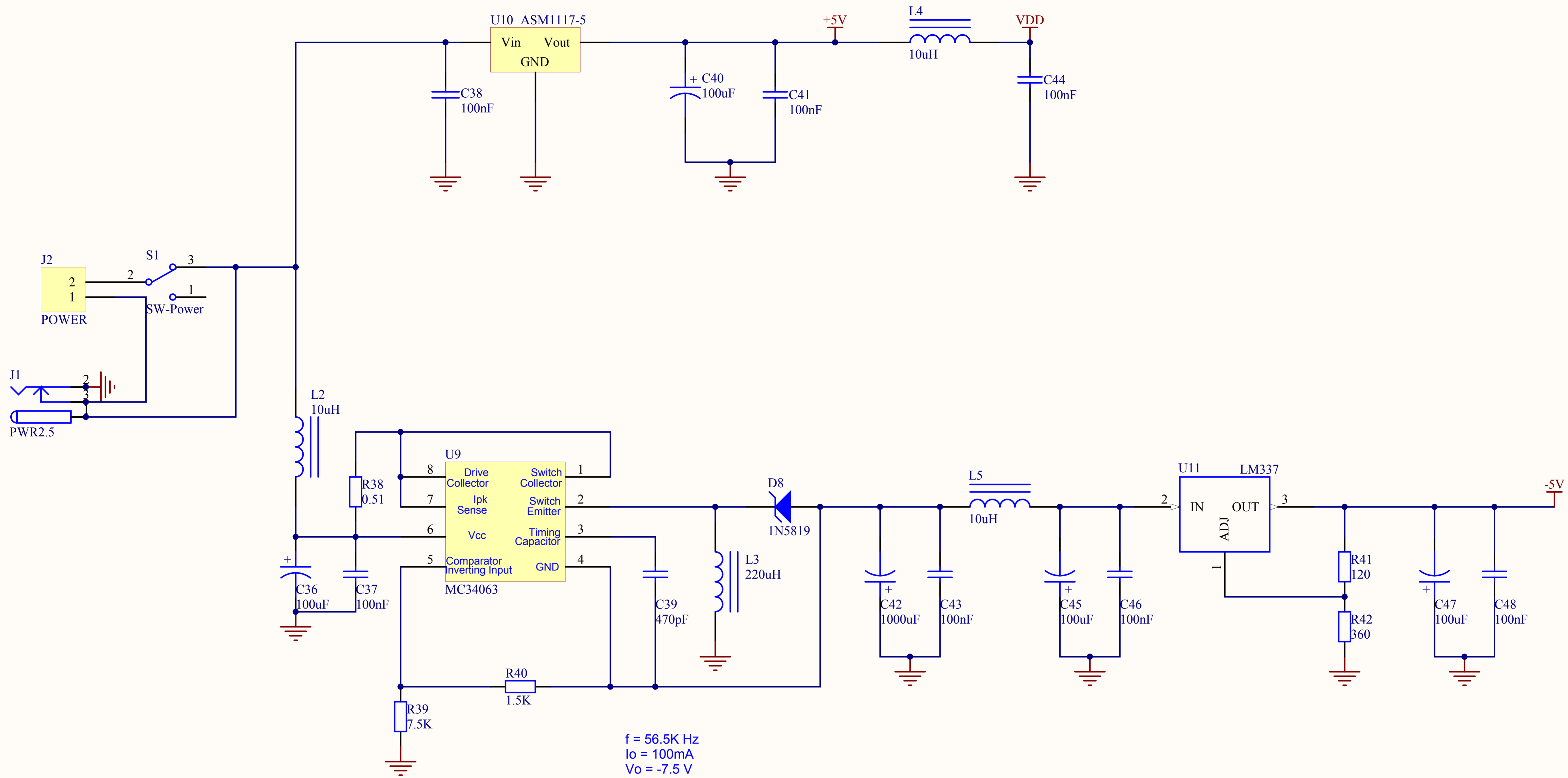
CH2 逻辑输入通道



探头补偿信号输出, 2V 1KHz方波信号



Title		CH2_DIGITAL&PRO_CAL	
Size	Number	Revision	
A4		V 0.4	
Date:	2009-4-9	Sheet of	3/4
File:	C:\Documents and Settings\...\CH2_DIGITAL	Drawn By:	www.ourdev.cn



Title		POWER	
Size	Number	Revision	
A4		V 0.4	
Date:	2009-4-9	Sheet of	4/4
File:	C:\Documents and Settings\...\Power.SchDoc Drawn By: www.ourdev.cn		