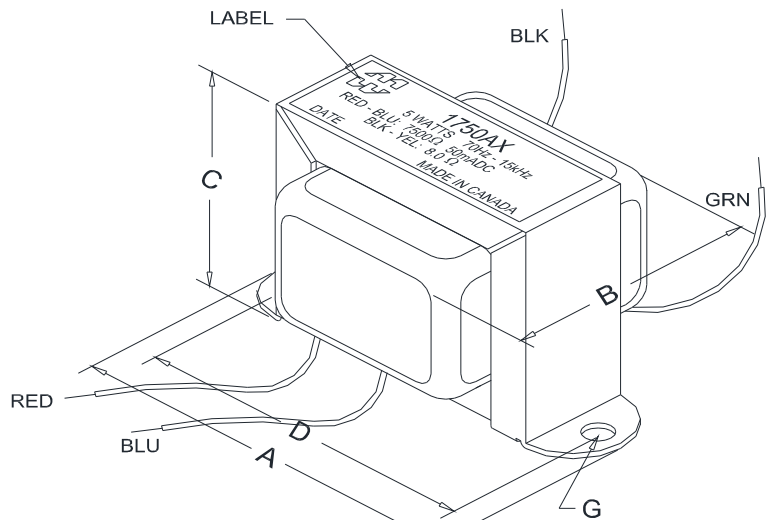
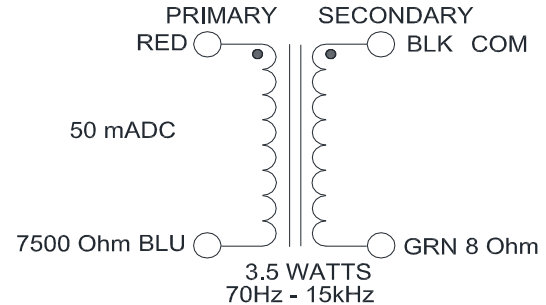


# 1750AX

## TUBE GUITAR AMPLIFIER - OUTPUT TRANSFORMER

- Designed for drop in replacement of original units.
- Constructed to look similar to original factory units (where possible).
- Material used & design specifications were kept as close as possible to the original part to preserve the stock "tone".
- Open style with minimum 9" long primary and secondary leads
- Frequency response 70Hz - 15KHz (0/-3dB reference @ 1KHz)
- Distortion is less than 1.5% @ 70Hz



NOTE: ALL LEADS 9" LONG MIN.

Dimensions			
A	2.380" ±0.063	D	2.000" ±0.063
B	1.650" ±0.125	G	0.187" ±0.015
C	1.400" ±0.063		

### ELECTRICAL SPECIFICATIONS

Characteristics		Typical	
Input Impedance		7500 Ohms	
Output Impedance		8 Ohms	
Output Power		3.5W	
DCR			
Primary Blue-Red		345 Ohms	
Secondary Black-Green		0.699 Ohm	
Inductance	Impedance	@ 1.0 kHz, 1.0 V OC	
Primary Blue-Red		6.0H	37.4KOhm
Secondary Black-Green		11.72mH	69.16 Ohm
Leakage Inductance		@ 1.0 kHz, 1.0 V SC	
Blue-Red		423mH	
Dielectric Strength		1500VRMS	
Temperature Range		-40 to 105 degC	

### TEST CONDITIONS

Measurement instruments:

D scope series iii audio analyzer  
Wayne Kerr 3255B with a 3265B

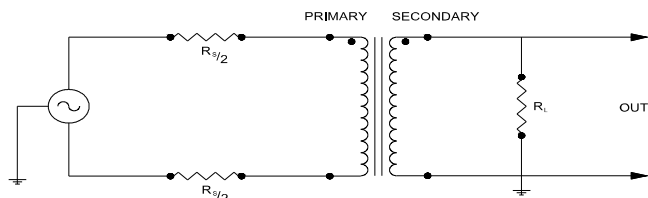
Keithley 2010 DVM

Hp4192a impedance analyzer

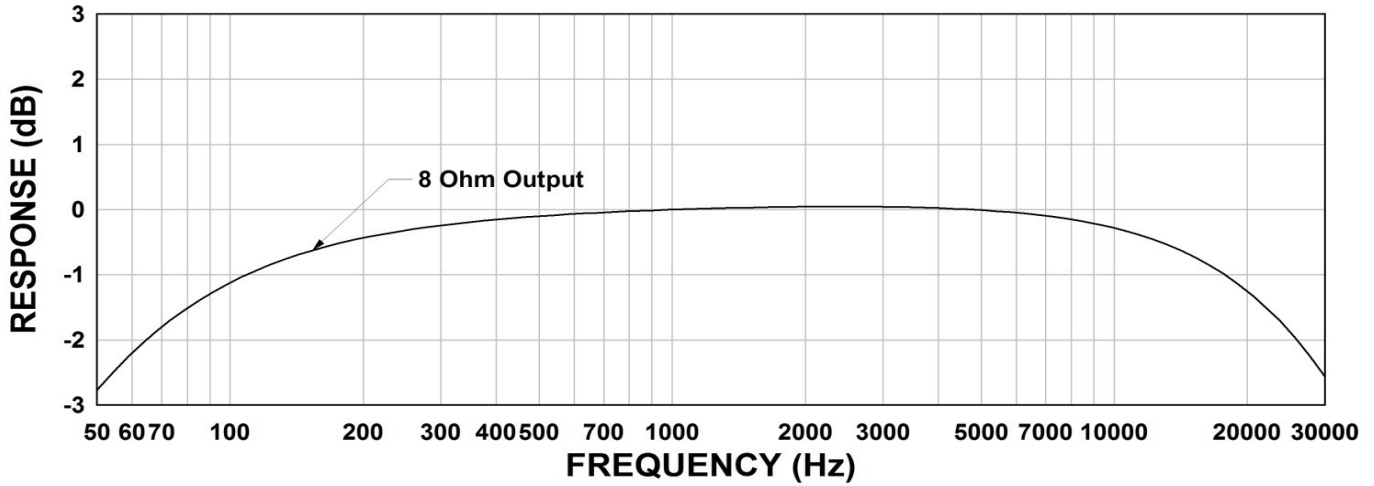
\* All graphs input level 27dBu @1.0KHz reference.

\*\*The results are typical and are subject to normal manufacturing and electrical tolerances.

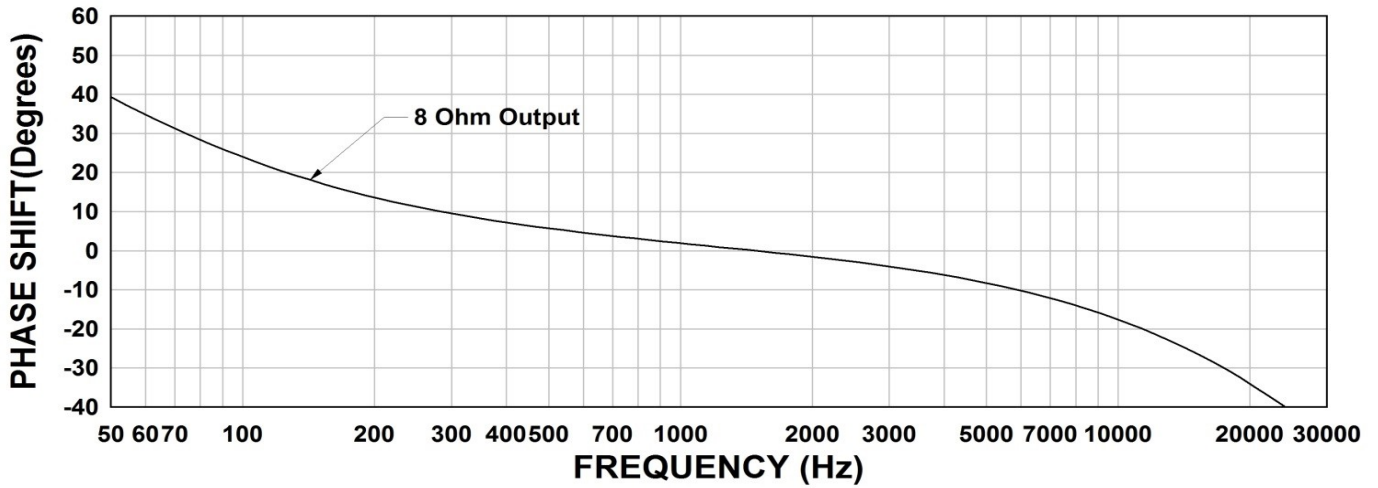
### TYPICAL TEST CIRCUIT



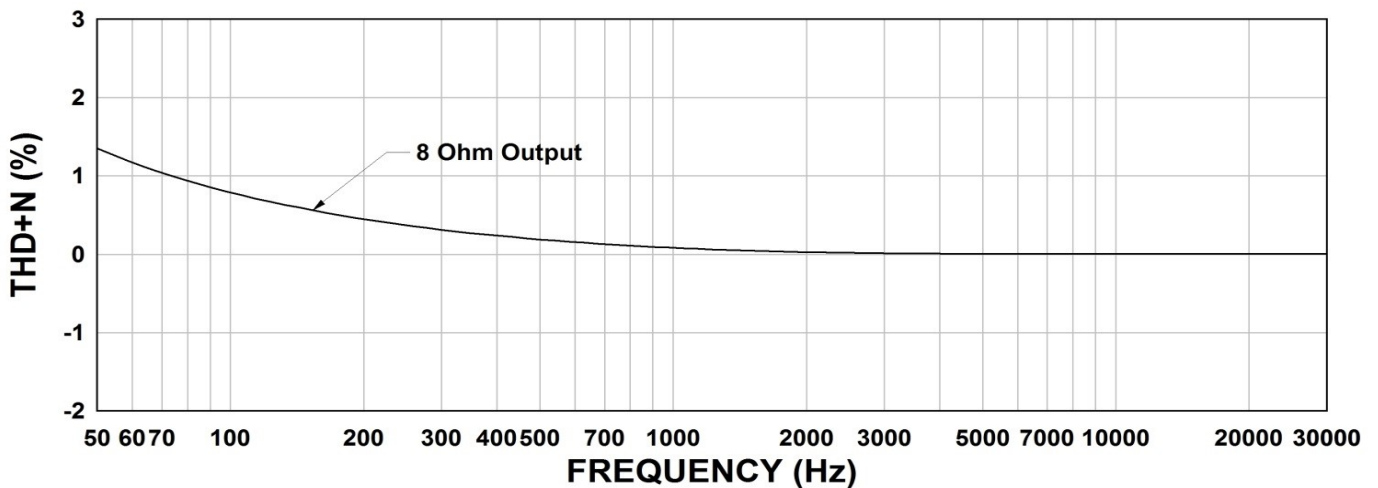
### 1750AX Frequency Response $R_S = 7.5K$ $R_L = 8$ Ohms



### 1750AX Phase Shift $R_S = 7.5K$ $R_L = 8$ Ohms



### 1750AX THD+N $R_S = 7.5K$ $R_L = 8$ Ohms



This drawing and the information in it is the property of Hammond Manufacturing. It may not be reproduced, transmitted or used in any manner whatsoever without the written permission of Hammond Manufacturing. Data subject to change without notice.