

● BLAUPUNKT

**Autoradio
Car Radio**

**Santa Cruz MP36
7 646 070 310**

CM-AS/SCS1 BE-ST 03/06

Schaltbild • Circuit diagram

**CLASS 1
LASER PRODUCT**



**UNSICHTBARE LASERSTRAHLUNG
NICHT DEM STRAHL AUSSETZEN**

(D) VORSICHT!

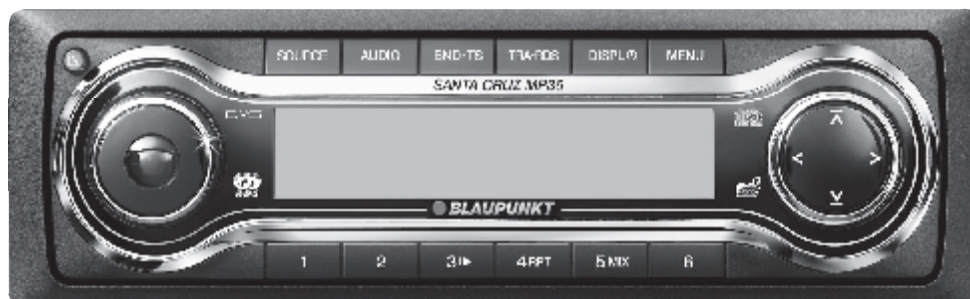
**Die Geräte beinhalten eine Laserkomponente!
Im Servicefall bitte nachfolgende Hinweise
beachten:**

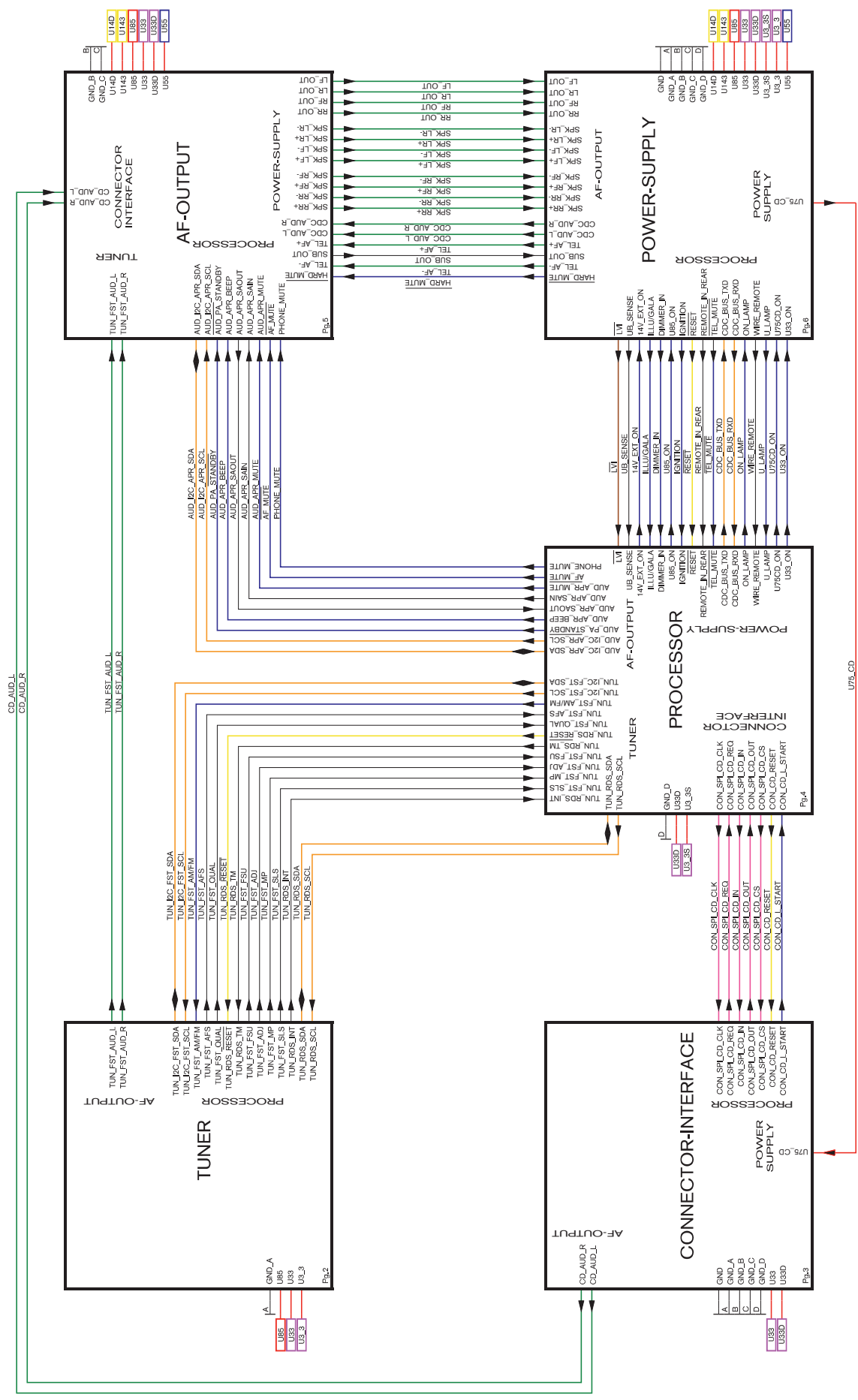
- Das Gerät arbeitet mit unsichtbarem Laserstrahl.
- Bei geöffnetem Gerät tritt im Bereich des Plattenfaches Laserstrahlung aus.
- Nicht in den Strahl blicken.
- Unbeteiligte Personen vom Arbeitsplatz fernhalten.
- Der Betrachtungsabstand darf 13 cm nicht unterschreiten.
- Kann dies nicht eingehalten werden, muß eine geeignete Laserschutzbrille getragen werden.

(GB) CAUTION!

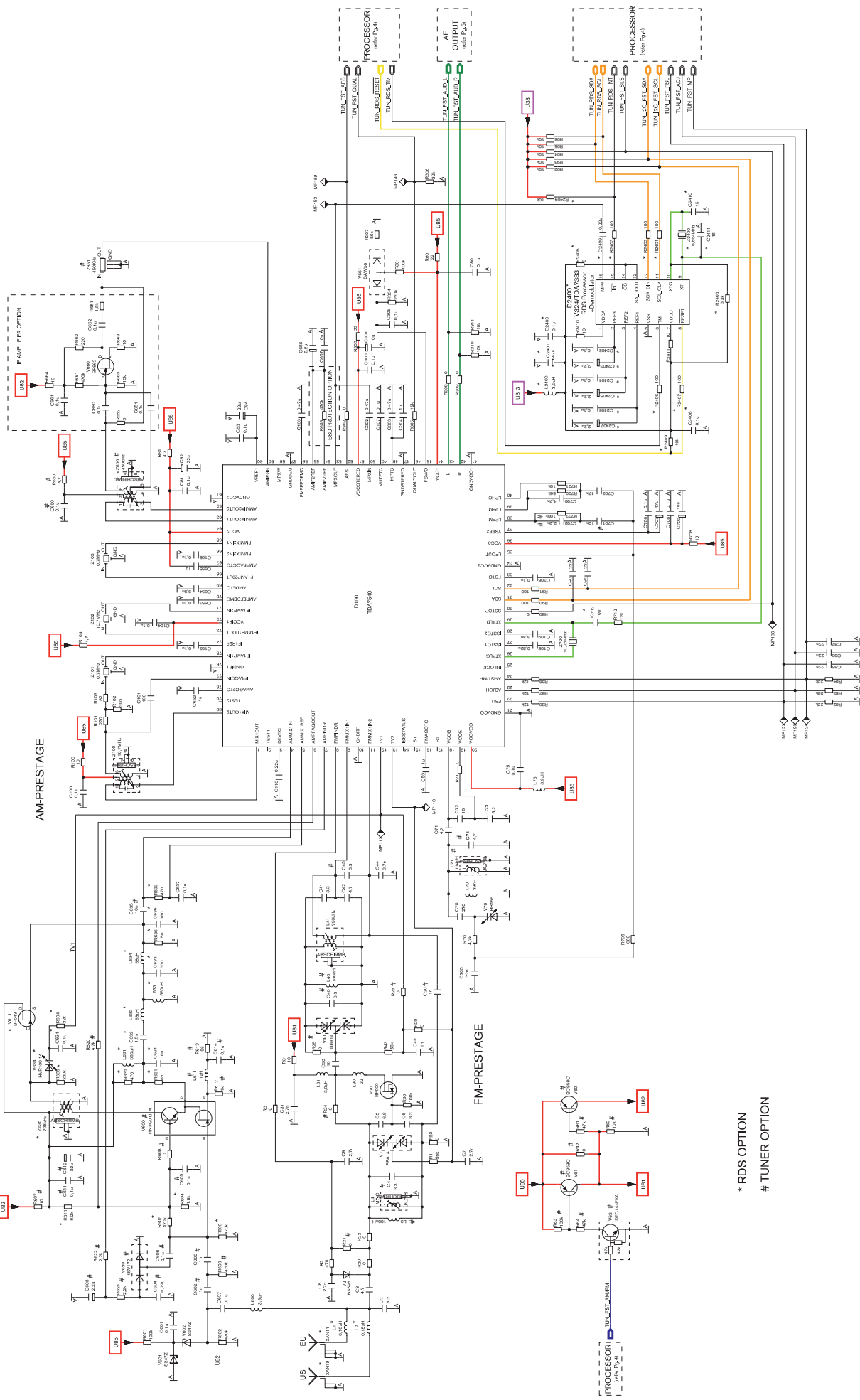
**The CD units are equipped with a laser component!
For servicing make sure to observe the following
instructions:**

- The unit operates with invisible laser beams.
- When the cover is removed, invisible laser beams are emitted near the disc compartment.
- Avoid direct eye contact with these beams.
- Keep unauthorised persons away from the workbench.
- The viewing distance should not be less than 13 cm.
- If this distance cannot be kept, use suitable laser safety goggles.



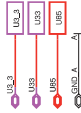


HAUPTPLATTE
 MAIN BOARD
 Blockschaltbild
 Block diagram



HAUPTPLATTE MAIN BOARD Tuner

PL 1889 D03

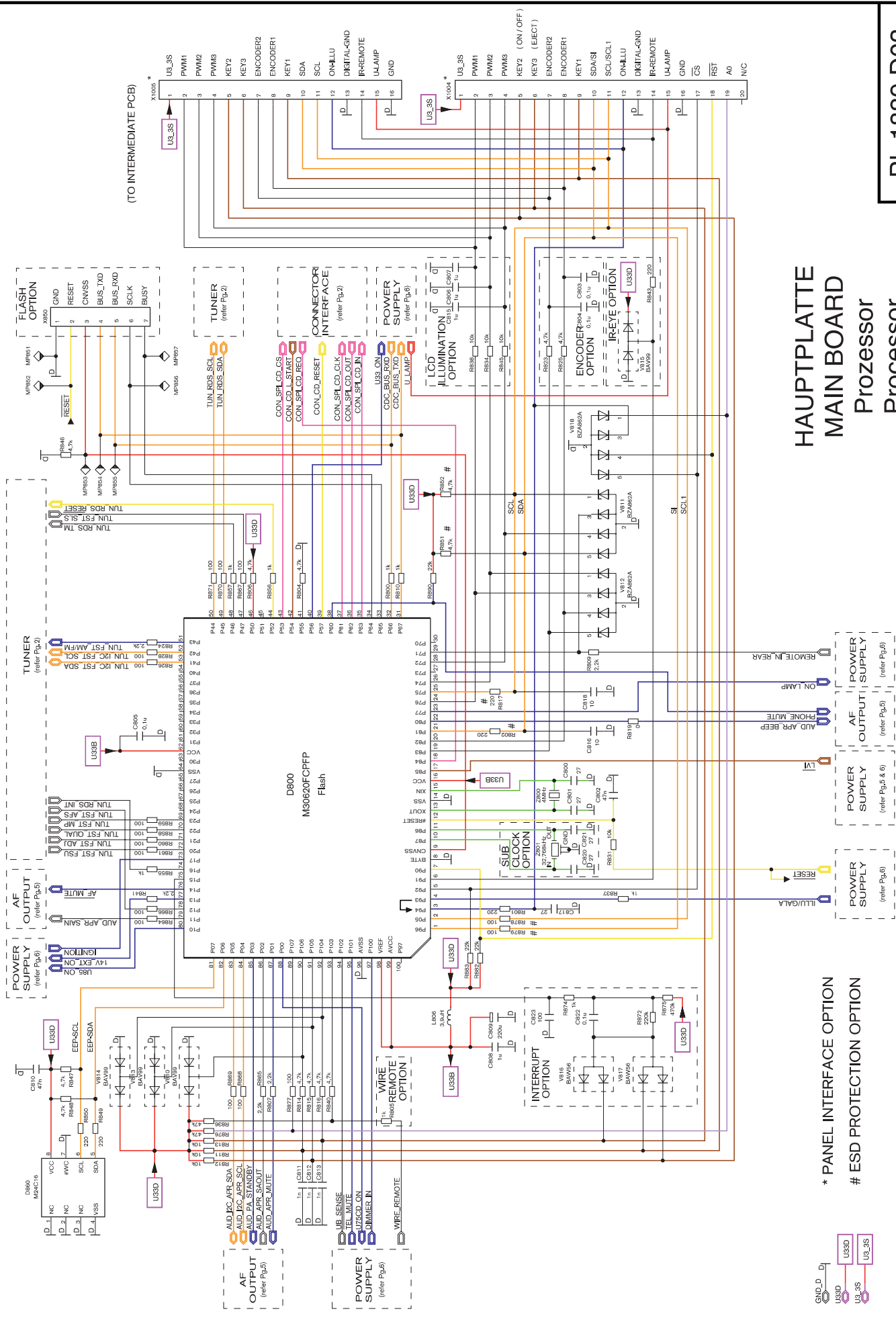
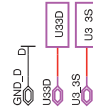


* RDS OPTION
TUNER OPTION

HAUPTPLATTE MAIN BOARD Processor

PL 1889 D03

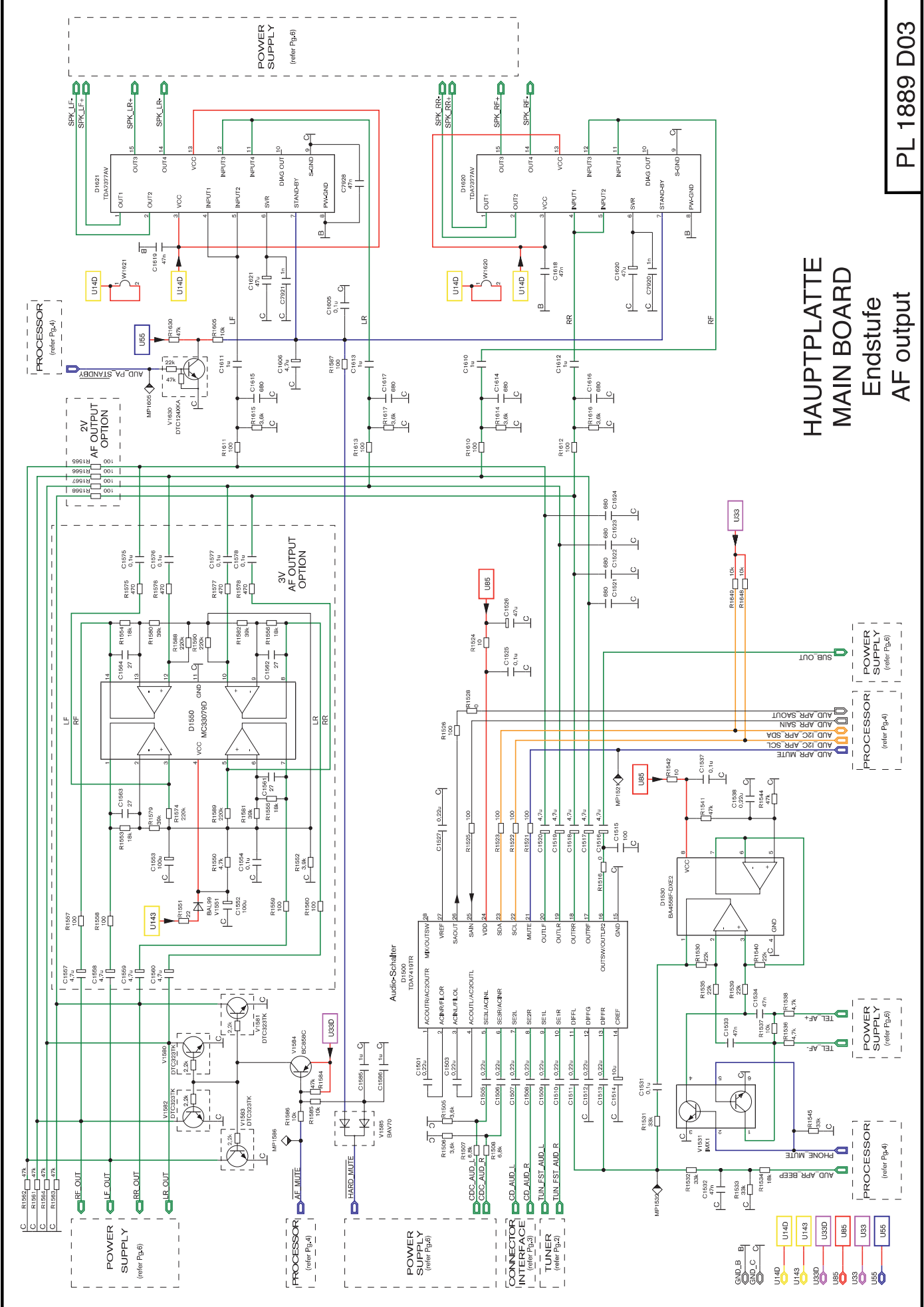
* PANEL INTERFACE OPTION
ESD PROTECTION OPTION



(TO INTERMEDIATE PCB)

HAUPTPLATTE MAIN BOARD

Endstufe AF output



- U14D
- U143
- U53D
- U5
- U53
- U55

PROCESSOR!
(refer Pg.4)

POWER SUPPLY
(refer Pg.6)

PROCESSOR!
(refer Pg.4)

POWER SUPPLY
(refer Pg.6)

POWER SUPPLY
(refer Pg.6)

POWER SUPPLY
(refer Pg.6)

POWER SUPPLY
(refer Pg.6)

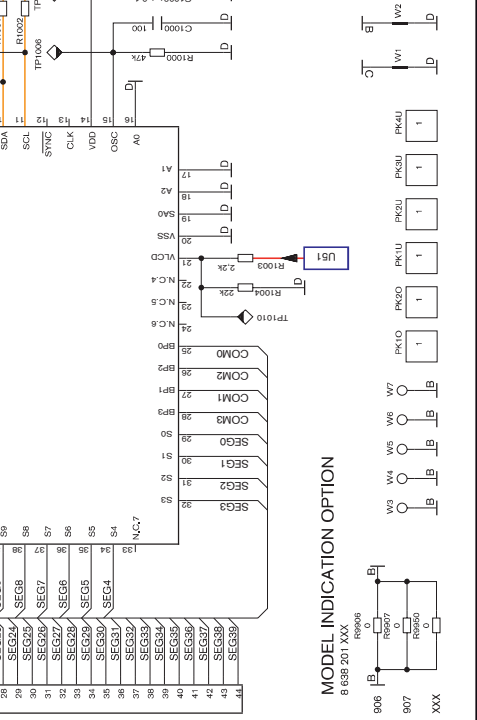
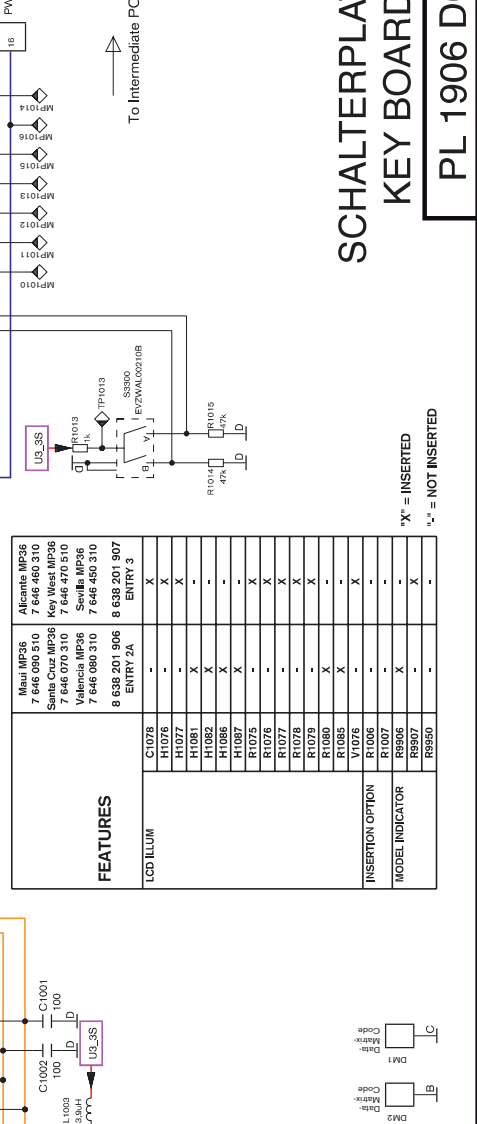
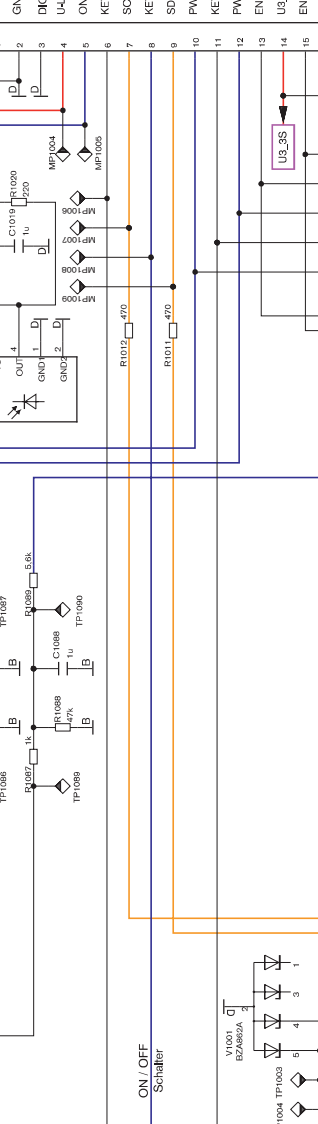
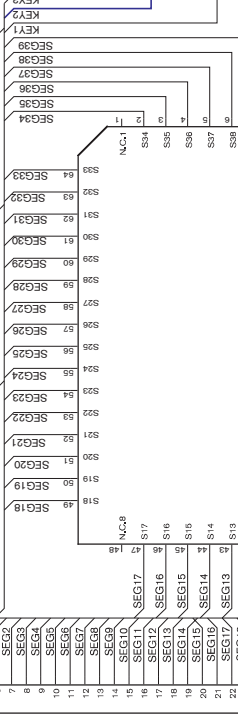
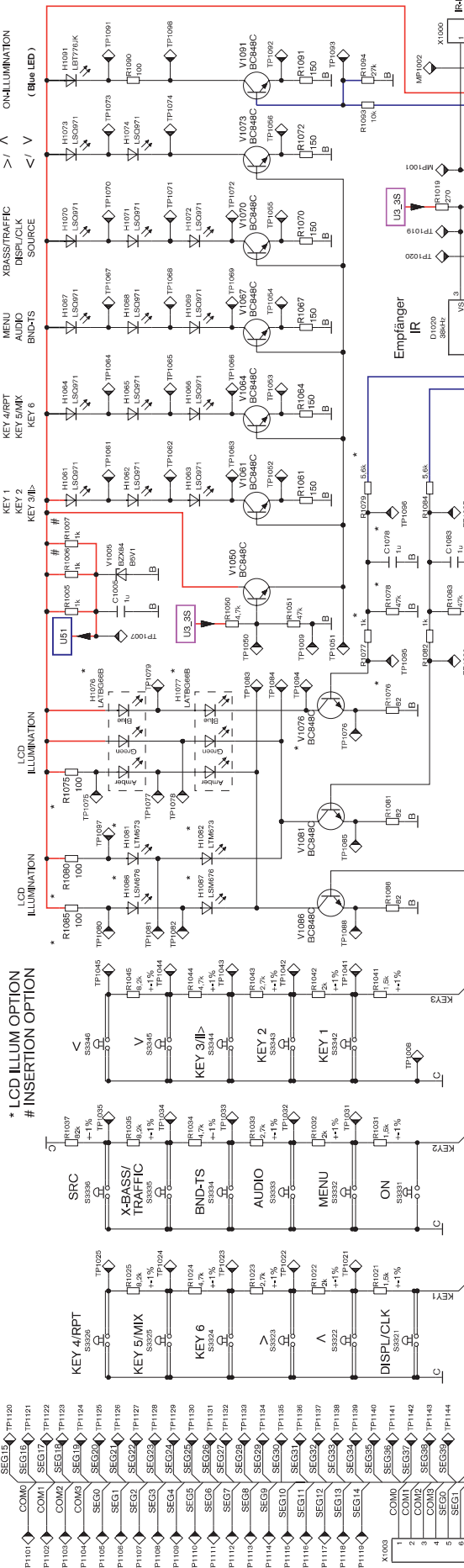
POWER SUPPLY
(refer Pg.6)

POWER SUPPLY
(refer Pg.6)

POWER SUPPLY
(refer Pg.6)

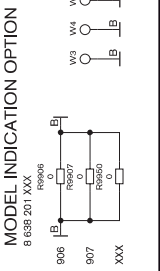
POWER SUPPLY
(refer Pg.6)

* LCD ILLUM OPTION
INSERTION OPTION



FEATURES

| LCDD ILLUM | Alcanta MP36 7 646 460 510 | Key Meist MP36 7 646 460 510 | Santa Cruz MP36 7 646 460 510 | Maui MP36 7 646 460 510 | Key Meist MP36 7 646 460 510 | Santa Cruz MP36 7 646 460 510 | Maui MP36 7 646 460 510 |
|------------|-------------------------------|---------------------------------|----------------------------------|----------------------------|---------------------------------|----------------------------------|----------------------------|
| C1078 | - | - | - | - | - | - | - |
| H1076 | - | - | - | - | - | - | - |
| H1077 | - | - | - | - | - | - | - |
| H1081 | - | - | - | - | - | - | - |
| H1082 | - | - | - | - | - | - | - |
| H1087 | - | - | - | - | - | - | - |
| R1075 | - | - | - | - | - | - | - |
| R1076 | - | - | - | - | - | - | - |
| R1078 | - | - | - | - | - | - | - |
| R1079 | - | - | - | - | - | - | - |
| R1080 | - | - | - | - | - | - | - |
| R1085 | - | - | - | - | - | - | - |
| V1076 | - | - | - | - | - | - | - |
| R1007 | - | - | - | - | - | - | - |
| R995 | - | - | - | - | - | - | - |
| R997 | - | - | - | - | - | - | - |
| R999 | - | - | - | - | - | - | - |
| R998 | - | - | - | - | - | - | - |
| R996 | - | - | - | - | - | - | - |
| R997 | - | - | - | - | - | - | - |
| R999 | - | - | - | - | - | - | - |
| R998 | - | - | - | - | - | - | - |
| R996 | - | - | - | - | - | - | - |



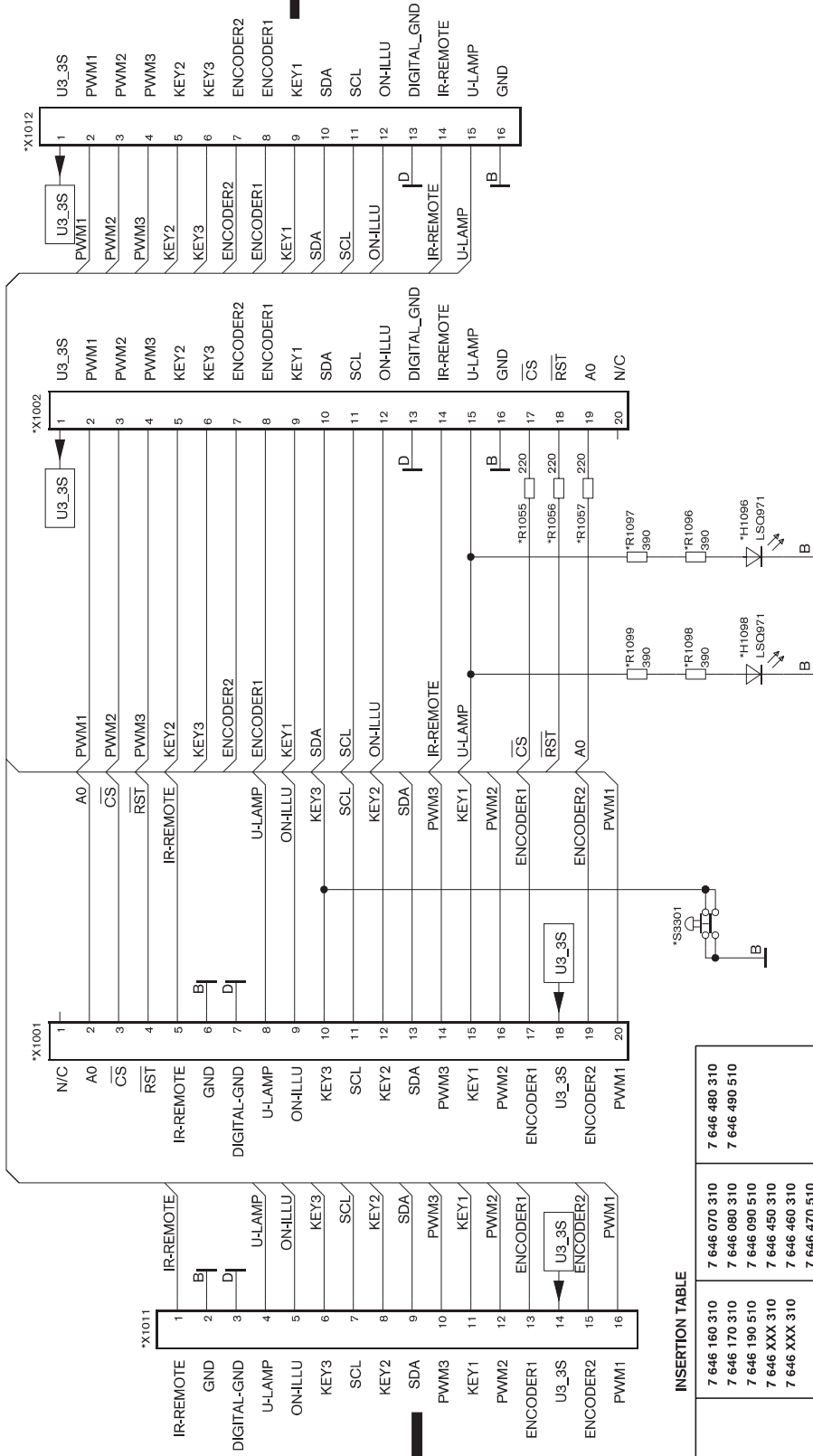
*X = INSERTED
.. = NOT INSERTED

SCHALTERPLATTE KEY BOARD PL 1906 D03

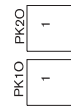
To Intermediate PCB

CONNECT TO MAIN PCB

CONNECT TO FRONT PCB



*** = Refer to Insertion Table



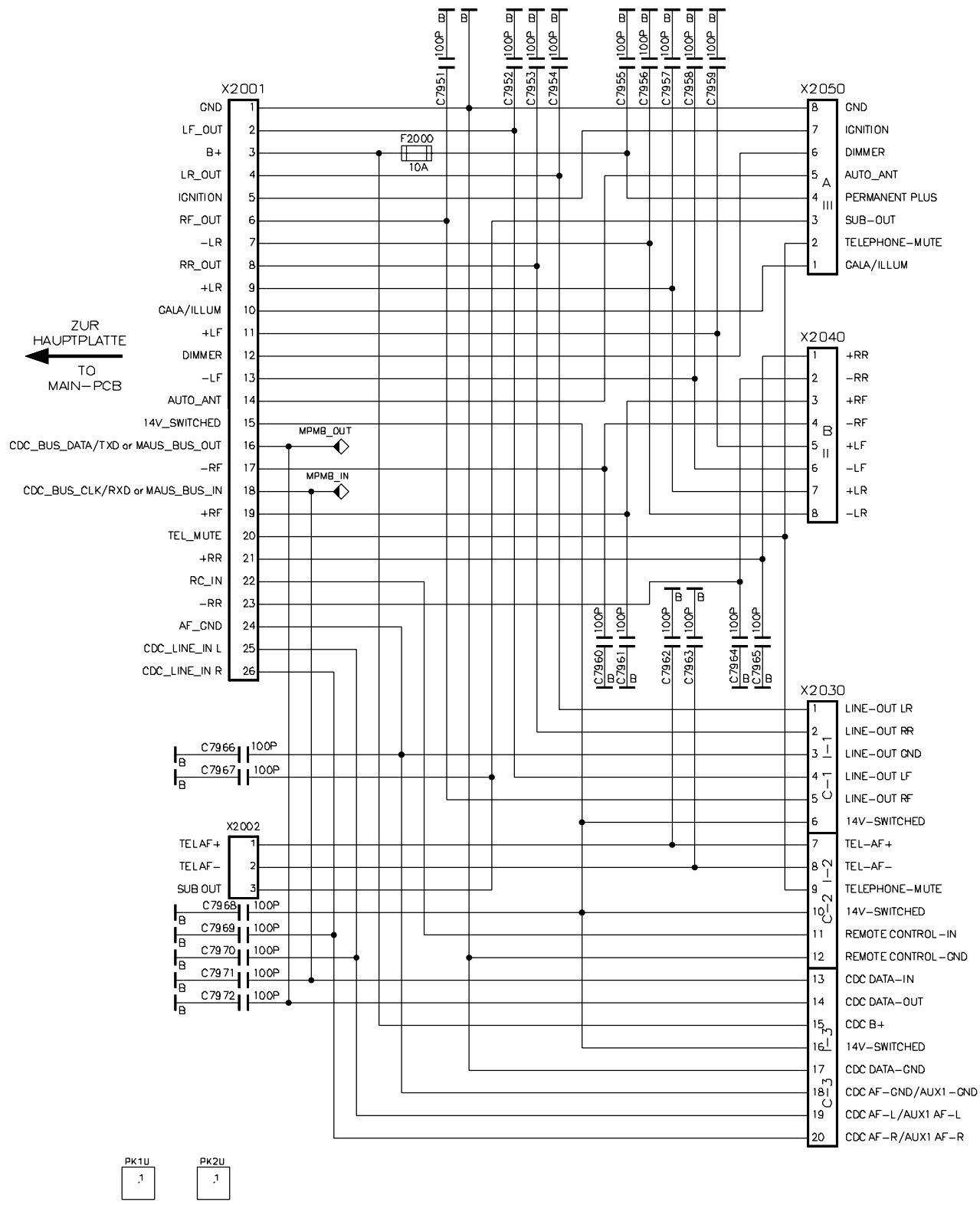
INSERTION TABLE

| FEATURES | 7 646 160 310 | | 7 646 070 310 | | 7 646 480 310 | |
|----------|---------------|---------------|---------------|---------------|---------------|---------------|
| | 7 646 170 310 | 7 646 080 310 | 7 646 090 310 | 7 646 490 310 | 7 646 500 310 | 7 646 510 310 |
| R1055 | - | - | - | - | - | - |
| R1056 | - | - | - | - | - | - |
| R1057 | - | - | - | - | - | - |
| R1096 | - | - | X | X | X | X |
| R1097 | - | - | X | X | X | X |
| R1098 | - | - | X | X | X | X |
| R1099 | - | - | X | X | X | X |
| H1096 | - | - | X | X | X | X |
| H1098 | - | - | X | X | X | X |
| S3331 | - | - | X | X | X | X |
| X1001 | - | - | - | - | - | - |
| X1002 | - | - | - | - | - | - |
| X1011 | X | X | X | X | X | X |
| X1012 | X | X | X | X | X | X |

"X" = INSERTED
"-" = NOT INSERTED

ZWISCHENPLATTE
INTERMEDIATE BOARD

PL 1915 D02



ANSCHLUSSPLATTE CONNECTOR BOARD

PL 9880 D01