



Accessories

Mounting Brackets for Stepping Motors	B-248
Clean Dampers	B-251
Flexible Coupling	B-252
Driver Cable	B-255
Extension Cable	B-256
DIN Rail Mounting Plate	B-257

Mounting Brackets for Stepping Motors



These mounting brackets are useful for maintaining proper alignment between the motor shaft and the load. Following five models are provided as standard products.

Material : Aluminum die cast

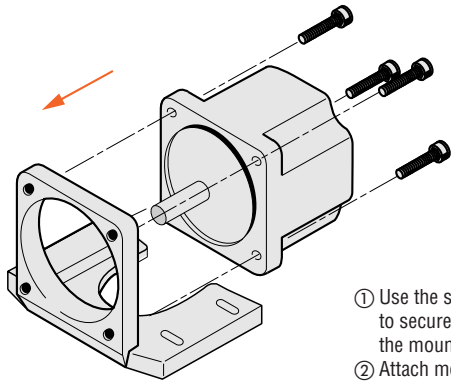
Mounting Bracket Models	Motor Models		
	<i>αSTEP</i>	5-Phase Stepping Motors	2-Phase Stepping Motors
PALOP	ASC46□K	CSK54□, RFK54□ PK54□	CSK24□, CSK24□M PK24□, PK24□M
PAL2P-5	AS66□, AS69□ ASC66AK	RK56□, CSK56□ RFK56□, PK56□	—
PAL2P-2	—	—	CSK26□, CSK26□M PK26□, PK26□M PK26□J
PAL4P-5	AS98□ AS911AC	RK59□, CSK59□, PK59□	—
PAL4P-2	—	—	PK29□

* The figure which shows the length of the motor case is inserted in the □ of the model name. The character of **A**, and **B** which show the shaft type are omitted. The mounting bracket base is built with holes large enough to allow for alignment adjustments in the horizontal direction. (Adjustable range : Approximately 6mm)

Note : 1. These mounting brackets are for stepping motors only. They cannot be fitted to compact AC motors.
2. Also they cannot be fitted to geared type.

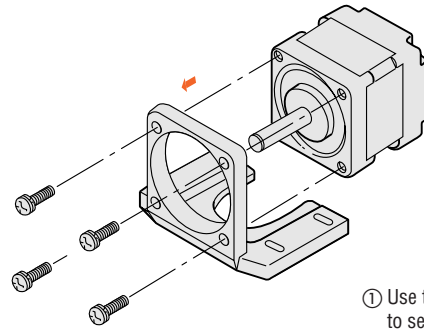
Mounting

1 PAL2P-□, PAL4P-□



- ① Use the screws provided to secure the motor to the mounting bracket.
- ② Attach motor from the direction shown by arrow.

2 PALOP



- ① Use the screws provided to secure the motor to the mounting bracket.
- ② Attach motor from the direction shown by arrow.

αSTEP

RK
5-Phase with AC Driver

CSK
5-Phase with DC Driver

PMC

NanoStep RPK

5-Phase Stepping Motors

CSK
2-Phase with DC Driver

2-Phase Stepping Motors

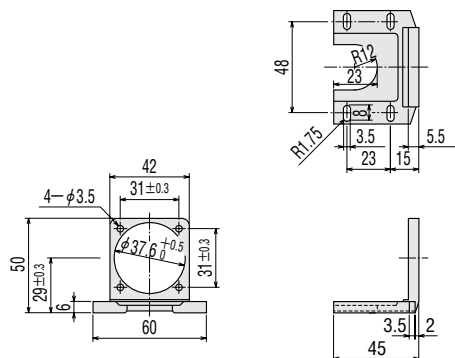
Controller

Accessories

Dimensions scale 1/4, unit=mm

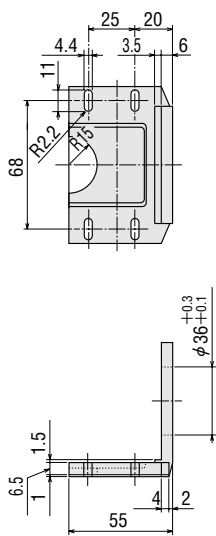
PALOP Mass 35g

●Screws : M3P0.5 10mm long
4 pieces, included



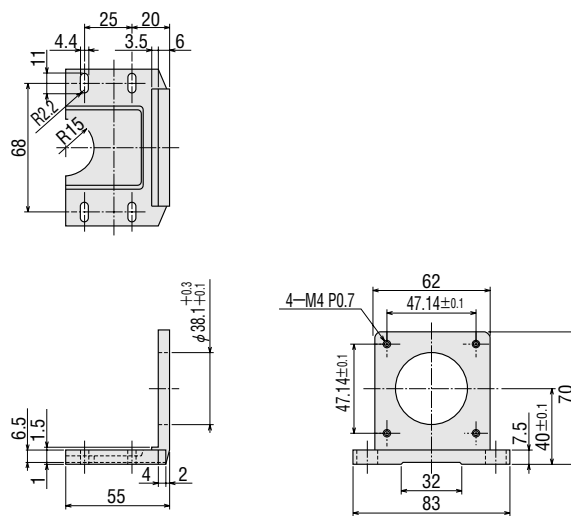
PAL2P-5 Mass 110g

●Screws : M4P0.7 12mm long
4 pieces, included



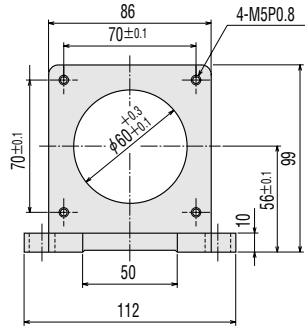
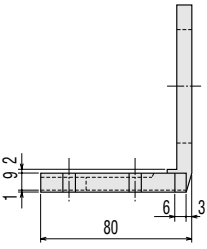
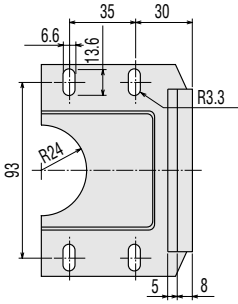
PAL2P-2 Mass 110g

●Screws : M4P0.7 12mm long
4 pieces, included



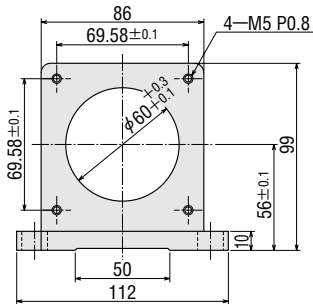
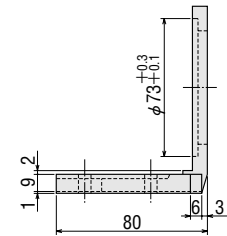
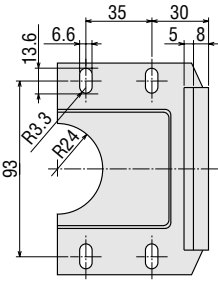
PAL4P-5 Mass 250g

●Screws : M5P0.8 16mm long
4 pieces, included

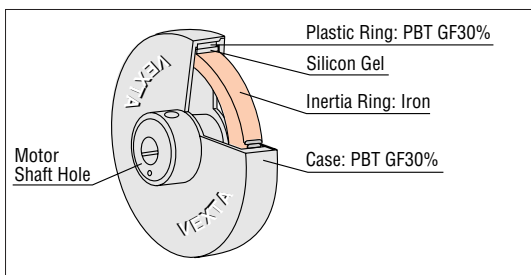


PAL4P-2 Mass 250g

●Screws : M5P0.8 16mm long
4 pieces, included



Clean Damper



The mechanical damper is effective at suppressing stepping motor vibration and improving high-speed performance. Inertial body and silicon gel are hermetically sealed in a plastic case. This offers the following advantages over conventional magnetic dampers.

● Better for Clean Rooms

Since there is no frictional dust as in conventional magnetic dampers, it can be used in environments where higher degrees of cleanness is needed.

● Excellent Vibration Absorption

The doughnut-shaped internal inertial body and silicon gel absorb vibration.

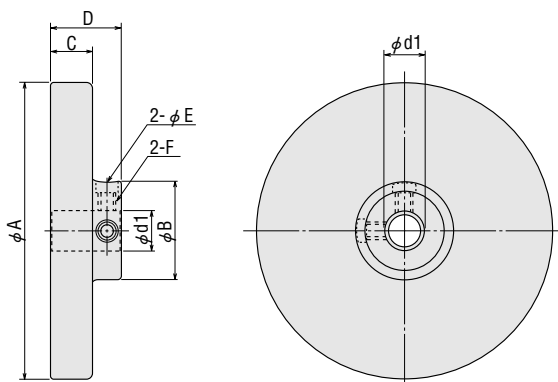
● High Reliability

It holds up well in harsh environments and changes little with age because the silicon gel and plastic case used are heat resistant.

Model	Inertia [kg·m ²]	Mass [g]	Compatible Motor (Double Shaft Type)
D4CL-5.0F	34×10^{-7}	24	CSK54 □, PMC3 □, RFK54 □, PK54 □, CSK24 □, CSK24 □M, PK22 □, PK23 □, PK24 □, PK24 □M, CSK543TG , PMC33MG , CSK243SG , PK243SG , PK223SG
D6CL-6.3F	140×10^{-7}	62	CSK26 □, CSK26 □M, PK26 □, PK26 □M, CSK264SG , PK264SG
D6CL-8.0F	140×10^{-7}	61	CSK56 □, RFK56 □, PK56 □, CSK564TG
D9CL-14F	870×10^{-7}	105	CSK59 □, PK59 □, PK29 □, PK296SG

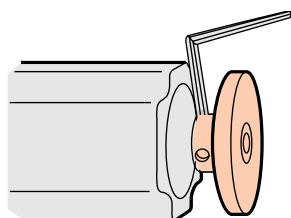
* The figure which shows the length of the motor case is inserted in the □ of the model name. The character of **B** which show the shaft type are omitted.
Ambient Temperature : -20°C ~ +80°C

■ Dimensions unit=mm



Model	$\phi d1$	ϕA	ϕB	C	D	ϕE	F
D4CL-5.0F	$5^{+0.018}_0$	$\phi 36 \pm 0.5$	$\phi 13 \pm 0.5$	9 ± 0.3	15 ± 0.5	$\phi 4$	M3
D6CL-6.3F	$6.35^{+0.022}_0$	$\phi 44.5 \pm 0.5$	$\phi 20 \pm 0.5$	15 ± 0.3	22 ± 0.5	$\phi 5$	M4
D6CL-8.0F	$8^{+0.022}_0$						
D9CL-14F	$14^{+0.027}_0$	$\phi 79.5 \pm 0.5$	$\phi 26 \pm 0.5$	11 ± 0.3	19 ± 0.5	$\phi 5$	M4

■ Installation of the Clean Damper



Point the mounting screws of the clean damper toward the motor case, fasten to the shaft and tighten the damper's mounting screws (2 places) with a hexagonal wrench to secure it to the shaft.

Note:

- There are mounting screws with hexagonal holes in two damper locations, so tighten them both before running the motor.
- The damper rotates at the same speed as the motor shaft, so do not touch it while the motor is running.

Flexible Coupling



A flexible coupling ideal for your motor axis diameter and motor torque is available. Once the motor is determined, the coupling can be to. All motor axis diameters of stepping motor units are covered (model of φ 5, φ 6, φ 6.35, φ 8 and φ 14mm).

*Except for geared type.

Features

- Backlash 0 (no backlash).
- Plate springs formed of slits reliably absorb eccentricity, declination and end play.
- Torsional rigidity is high, responsiveness excellent.
- Characteristics are the same in forward and reverse.
- Maintenance free (excellent resistance to oil and chemicals).
- Aluminum alloy construction.
- Even standardized combination of different diameter axis holes for products with existing axis holes.
- Fastening types: clamping type.

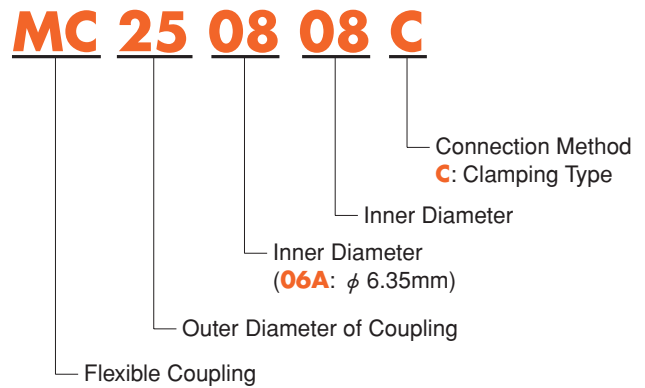
■ Selecting a Flexible Coupling

Once you have decided on a motor and the axis diameter of the equipment to be connected to it, determine the proper flexible coupling to use. Oriental Motor's flexible couplings are available in sizes (external diameter) that provide the strength required for the motor torque.

Example **MC 25 08 08 C**
 Internal Diameter Internal Diameter

- ① When the motor is **CSK566-NATE** (outer diameter of shaft: 8mm) and the axis diameter of the equipment to be connected to the motor is 8mm, use **MC250808C**.
- ② When the motor is **CSK5913-NATE** (outer diameter of shaft: 14mm) and the axis diameter of the equipment to be connected to the motor is 14mm, use **MC501414C**.

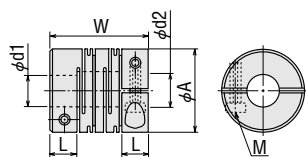
■ Product Number Code



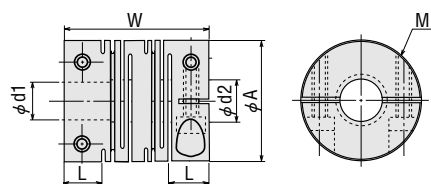
Type	Shaft Diameter D [mm]	αSTEP	5-Phase Packages				2-Phase Packages		5-Phase Motors	2-Phase Motors	Connected Device Axis Diameter D [mm]			
			RK	CSK	PMC	RFK	CSK	CSK			φ 5	φ 6	φ 8	φ 14
MC12	φ 5			CSK543 CSK544	PMC3 □	RFK543 RFK544	CSK243 CSK243M	PK543 PK544	PK22 □ P	◎				
MC16	φ 5	ASC46AK ASC3 □		CSK545		RFK545	CSK244 CSK244M	PK545	PK243		◎			
MC20	φ 5						CSK245 CSK245M		PK23 □ P PK244 PK245		◎			
	φ 8		RK564	CSK564		RFK564		PK564				◎		
MC25	φ 5								PK244P		◎			
	φ 6.35						CSK264 CSK264M CSK266 CSK266M		PK264			◎		
MC32	φ 8		RK566	CSK566		RFK566		PK566				◎		
	φ 6.35						CSK268 CSK268M		PK266 PK268			◎		
MC40	φ 8	AS6 □ ASC66AK	RK569	CSK569		RFK569		PK569	PK264J			◎		
	φ 14	AS9 □	RK596 RK599	CSK596 CSK599				PK596	PK296				◎	
MC50	φ 14		RK5913	CSK5913				PK5913	PK299 PK2913				◎	

■ Dimensions

MC12-C, MC16-C, MC20-C, MC25-C, MC32-C



MC40-C, MC50-C



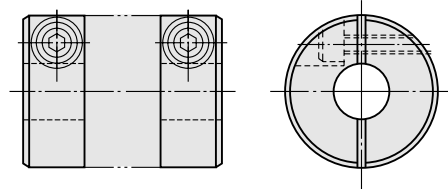
■ Specifications

Model	Model						Normal Torque [N·m]	Mass [g]	Moment of Inertia [kg·m ²]	Static Torsion Spring Constant [N·m/rad]	Permissible Eccentricity [mm]	Permissible Declination [°]	Permissible End Play [mm]
	Outer Diameter φ A [mm]	Length W [mm]	Axis Hole Diameter d1 [mm]	Axis Hole Diameter d2 [mm]	L [mm]	Screw Used M							
MC120505C	12	18.5	5	5	5	M2	0.2	4.5	1×10 ⁻⁷	32	0.1	2	±0.3
MC160506C	16	23	5	6	6.5	M2.5	0.3	9	4×10 ⁻⁷	45	0.1	2	±0.4
MC200506C MC200808C	20	26	5 8	6 8	7.5	M2.5	0.5	18	11×10 ⁻⁷	85	0.1	2	±0.4
MC250506C MC2506A08C MC250808C	25	31	5 6.35 8	6 8 8	8.5	M3	1	33	32×10 ⁻⁷	230	0.15	2	±0.5
MC3206A08C MC320808C	32	41	6.35 8	8 8	12	M4	2	75	120×10 ⁻⁷	360	0.15	2	±0.5
MC401414C	40	56	14	14	15	M5	5	170	400×10 ⁻⁷	760	0.2	2	±0.5
MC501414C	50	71	14	14	18	M6	10	320	1200×10 ⁻⁷	3000	0.2	2	±0.5

Mounting on a Shaft

Clamping Type

Clamping couplings use the binding force of the screw to compress the axis hole diameter and thereby fasten the coupling to the shaft. This does not damage the shaft and is easy to mount and remove. The following table shows the screw binding torque. We recommend use of a torque wrench to fasten the coupling.

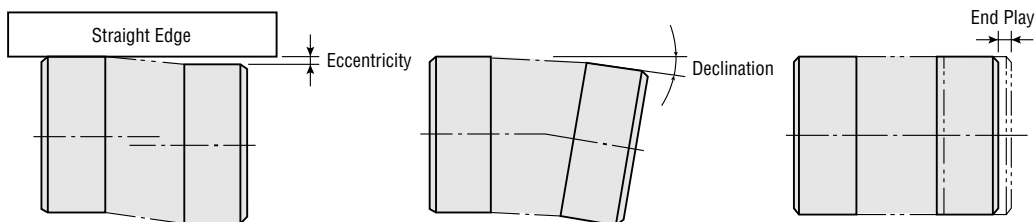


Type	MC12-C	MC16-C	MC20-C	MC25-C	MC32-C	MC40-C	MC50-C
Fastening Torque [N·m]	0.5	1	1	1.5	2.5	4	8

Alignment Adjustment

Flexible couplings tolerate misalignment of the axis center and transfer rotational angle and torque, but produce vibration when the permissible value for misalignment is exceeded. This can dramatically shorten the coupling's service life. This requires alignment adjustment.

Misalignment of the axis center includes eccentricity (parallel error of both centers), declination (angular error of both centers) and end play (shaft movement in the axial direction). To keep misalignment to within the permissible value, always check and adjust the alignment. To increase the service life of the coupling, we recommend keeping misalignment to below 1/3 of the permissible value.



Notes on Use:

1. When misalignment exceeds the permissible value or excessive torque is applied, the service life the coupling is shortened for the plastic deformation.
2. When the coupling emits a sound (metallic sound) during operation, stop operation immediately and ensure there is no misalignment, axis interference or loose screws.
3. When load changes are large, paint the coupling screw with adhesive to prevent coupling screw loosening or substitute a coupling one size larger.

Driver Cables

Driver Cable for RK Series



This cable is convenient for connecting **RK** series and **αSTEP** drivers to controllers. One end of the cable is a connector that snaps into the driver.

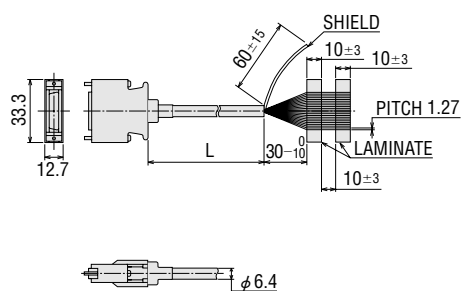
Install a connector that matches the controller you are using to the other end of the cable.

Model	Length (L) m	Applicable Package Model
CC20D1-1	1	RK
CC20D2-1	2	
CC36D1-1	1	αSTEP
CC36D2-1	2	

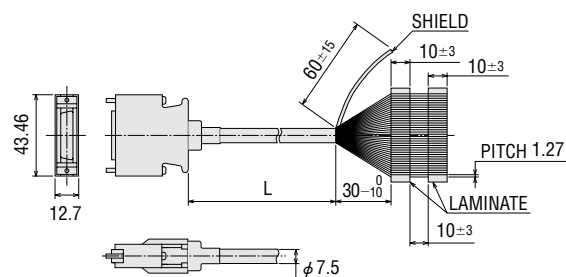
● Core configuration: AWG28

● Dimensions scale 1/4, unit = mm

For **RK** series



For **αSTEP**



Driver Cable for αSTEP



Extension Cables

Extension Cable for RK Series



These extension cables are used between **RK** series motors and dedicated drivers. They come in three lengths: 5 m, 10 m, and 20 m. (Except for electromagnetic brake types.)

Model	Length (L) m	Core
CC05PK5	5	5
CC10PK5	10	
CC20PK5	20	

- Core configuration: AWG22
- Finished outer diameter: ϕ 7.2
- Cable rating: 105°C
- Outer casing: oil-resistant, heat-resistant non-migrating vinyl

Note

These extension cables are only for the **RK** series. Do not use them on other stepping motor packages.

Extension Cable for α STEP



These are the dedicated α STEP extension cables. This extension cable is convenient when using the α STEP stepping motor and driver more than 0.4 m apart from each other.

For Standard Types

Model	Length(L) m
CC01AIP	1
CC02AIP	2
CC03AIP	3
CC05AIP	5
CC07AIP	7
CC10AIP	10

For Electromagnetic Brake Types

Model	Length(L) m
CC01AIPM	1
CC02AIPM	2
CC03AIPM	3
CC05AIPM	5
CC07AIPM	7
CC10AIPM	10

- Finished outer diameter : ϕ 7mm

Movable Cables

These movable cables are used between α STEP **AS**, **ASC** series and dedicated drivers.

This cable has a measured value for refraction resistance about 85 times that for ordinary junction cables.

We recommend this cable when the motor is installed on a moving section and the cable is repeatedly bent and extended.

For Standard Types

Model	Length (L)m
CC01SAR	1
CC02SAR	2
CC03SAR	3
CC05SAR	5
CC07SAR	7
CC10SAR	10

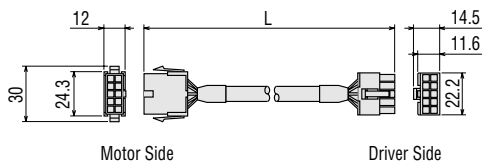
For Electromagnetic Brake Types

Model	Length (L)m
CC01SARM2	1
CC02SARM2	2
CC03SARM2	3
CC05SARM2	5
CC07SARM2	7
CC10SARM2	10

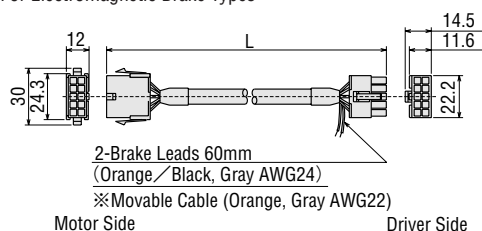
- Finished outer diameter : ϕ 9.5mm

Dimensions scale 1/4, unit = mm

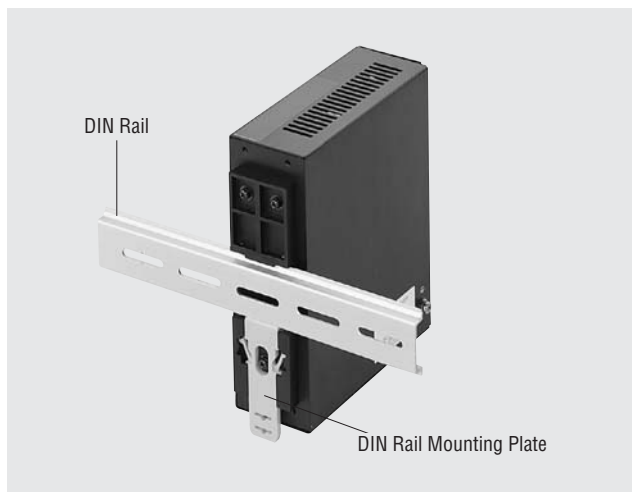
For Standard Types



For Electromagnetic Brake Types



DIN Rail Mounting Plate



This installation plate is convenient for installing the *αSTEP AS* series driver on DIN rails with ease. The required installation screws come with this installation plate.

Model : **PADP01**

• **Dimensions** scale 1/4, unit = mm

