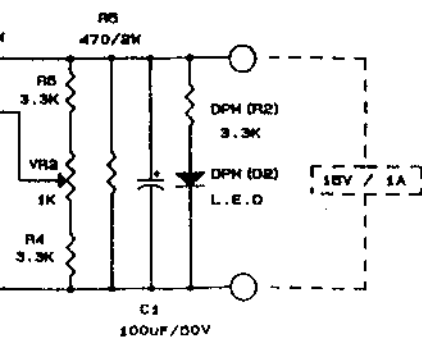
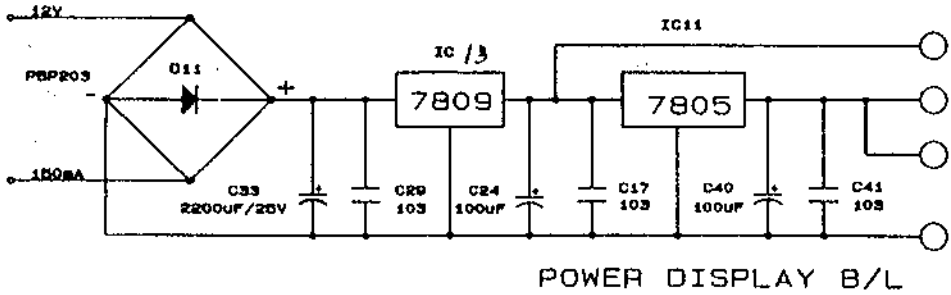
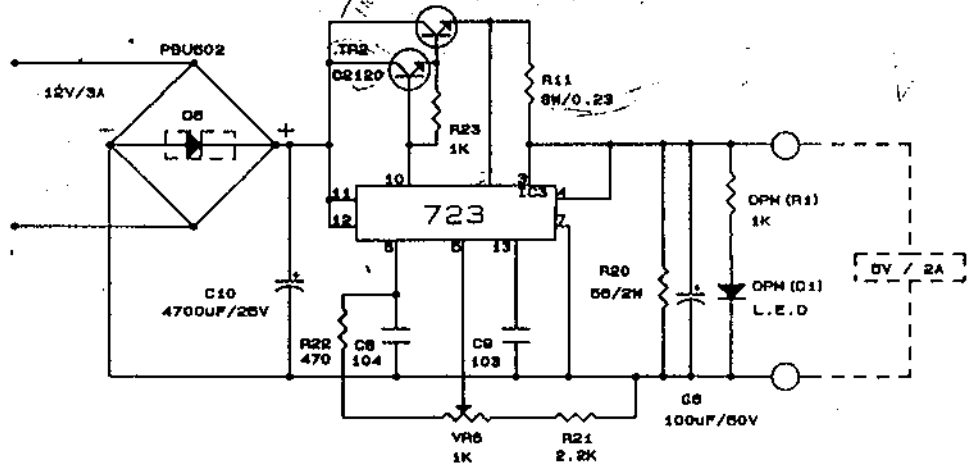
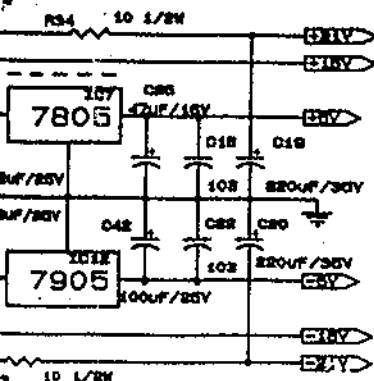
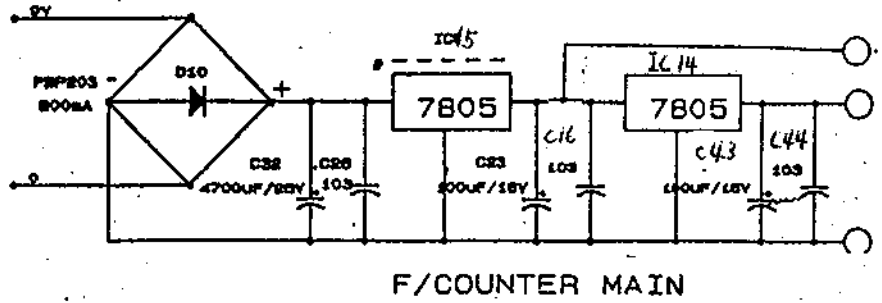
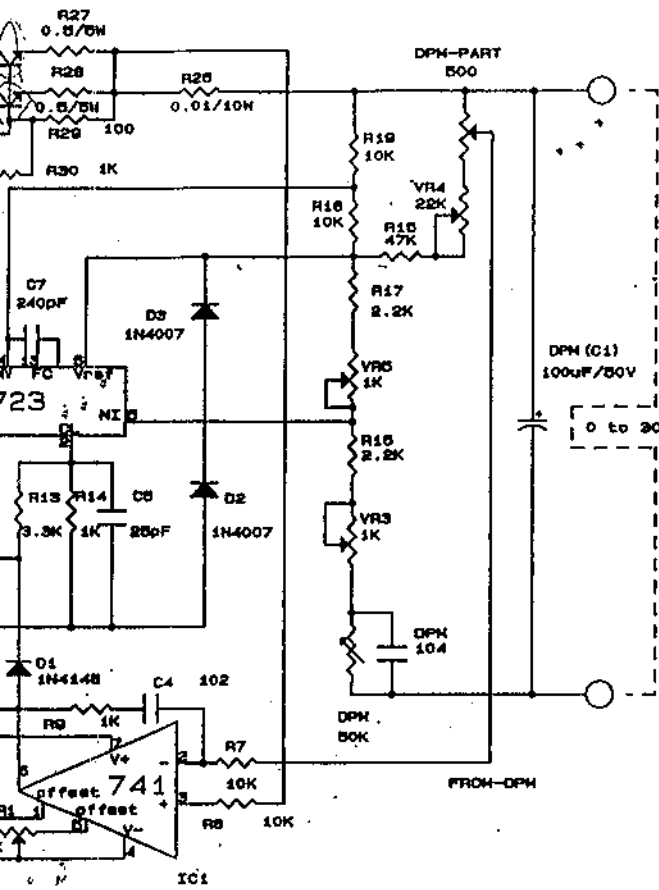


P1A

2004 04 22

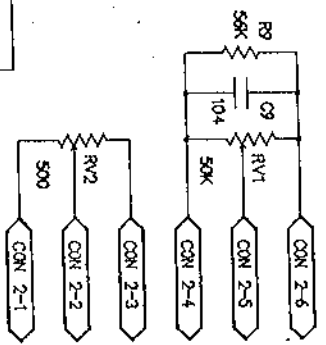
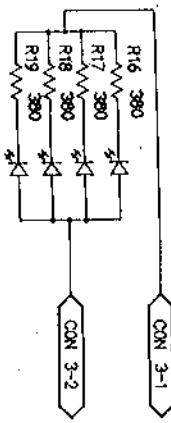
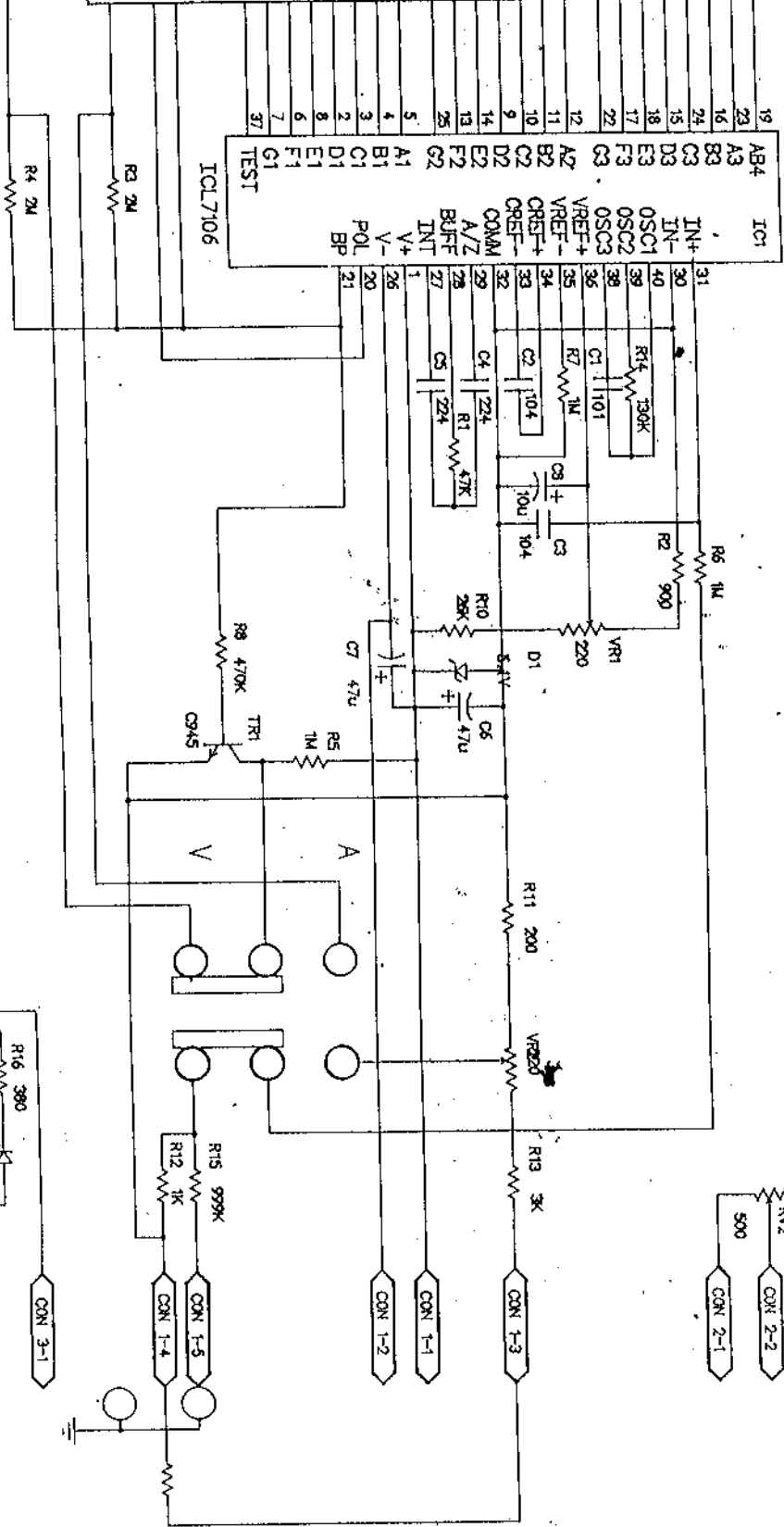
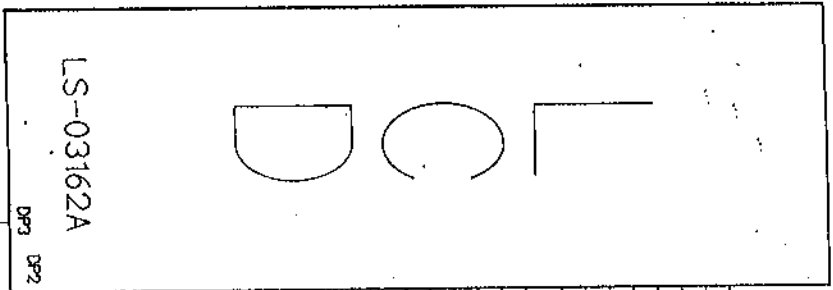


NO	MAT. L	Q'TY	REMARK
1			
2			

SCALE:	UNIT:	DATE : 1998.9.30
DRAWN	DESIGNED	CHECKED
I. J. HAM		
METEX INSTRUMENTS		TITLE: P/B SCHEMATIC DIAGRAM

PIB

BIN 109771



REVISED : _____

TITLE	DATE	BY	CHK'D BY	APPROVED	DATE
LS-03162A	1964 4 21	W/L	W/L		

REVISIONS :

NO.	DESCRIPTION	DATE
1	ISSUED	1964 4 21

DATE: 1964 4 21

BY: W/L

CHK'D BY: W/L

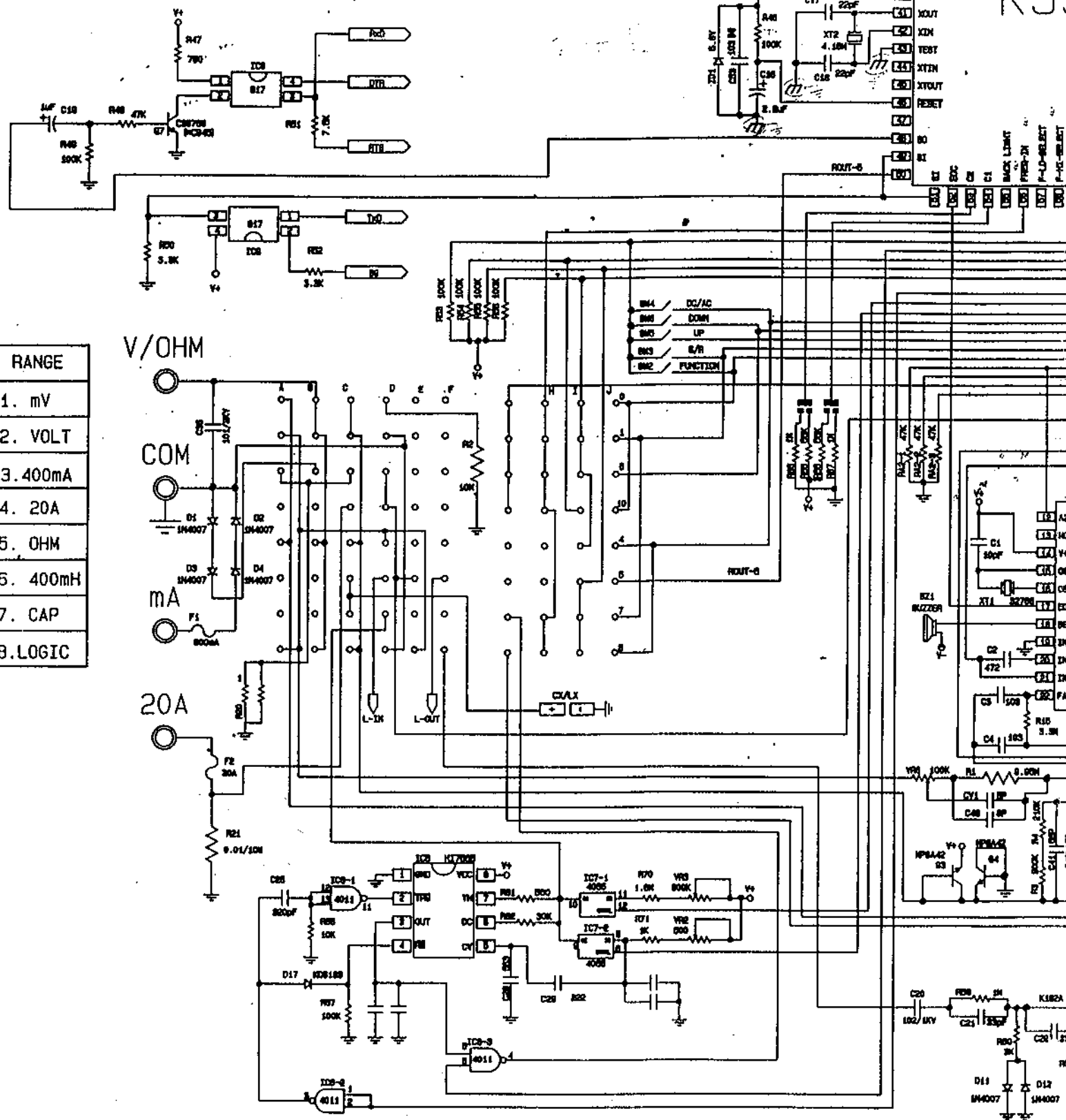
APPROVED: [Signature]

DATE: 1964 4 21

REVISIONS (ON 1)

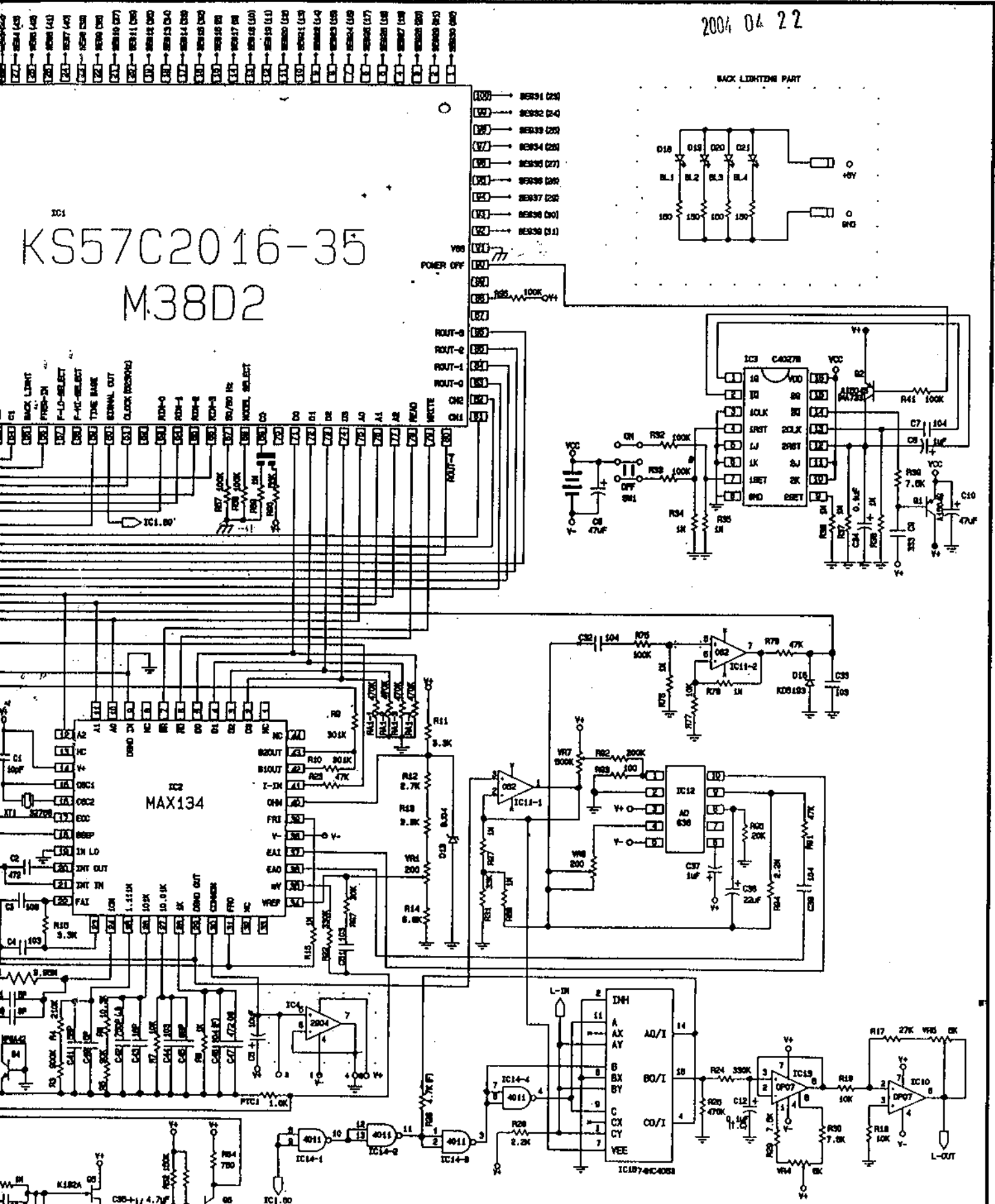
1	2	3	4	5	6	7	8	9	10	11	12	13	14	15	16	17	18	19	20	21	22	23	24
CON1				CON1			CON1	PO	A0	F1	A1	F2	A2	F3	A3	PREP (V2)	DB	U2	D4	F4	DB	F6	DB
			CON2				REL	B0	B0	B1	B1	B2	B2	B3	B3	B4	B4	E4	C4	E5	C5	E6	C6
			CON3				MAX	B0	C0	E1	C1	E2	C2	E3	C3	B6	B6	B4	B4	B5	B5	B6	B6
			CON4				MIN	U5	D0	F1	D1	F2	D2	F3	D3	F5	F5	F4	A4	F5	A5	F6	A6
25	26	27	28	29	30	31	32	33	34	35	36	37	38	39	40	41	42	43	44	45	46	47	
F8	D7	V (N2)	B (726)	C (N1)	IN (N1)	IN (N1)		BAR 33	BAR 32	BAR 29	BAR 24	BAR 17	BAR 18	BAR 9	BAR 9	BAR 1	BAR 1	AC (U1)	REL				
E7	C7	N (N2)	AC (D2)	K (N1)	N (N1)	Y (N1)	K (N2)	BAR 34	BAR 34	BAR 31	BAR 25	BAR 18	BAR 19	BAR 10	BAR 7	BAR 2	BAR 2	FERR (U1)	NEK				
G7	F7	K (N2)	DB	K (N1)	N	A'	K (N2)	BAR 35	BAR 35	BAR 30	BAR 27	BAR 22	BAR 19	BAR 14	BAR 9	BAR 3	BAR 3	HFE	TEMP	EXT	OUTL		
F7	A7	HZ (N2)	F	HZ (U1)	F	CK	On	BAR 37	BAR 36	BAR 29	BAR 26	BAR 21	BAR 20	BAR 15	BAR 8	BAR 4	LOAD	CAP	R-H	D-H			

IC1
KS5

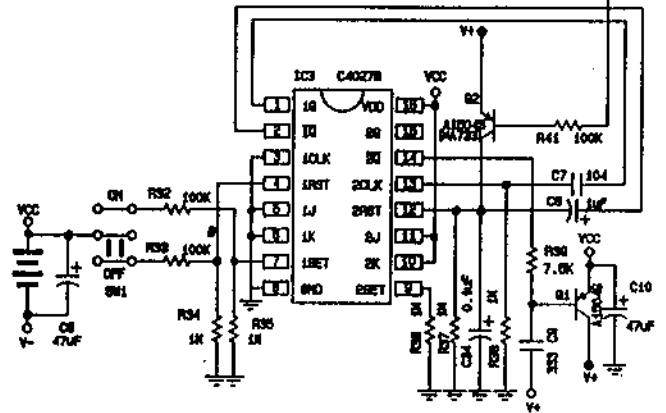
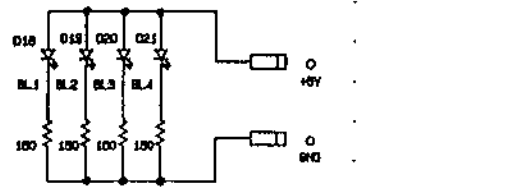


RANGE	
1.	mV
2.	VOLT
3.	400mA
4.	20A
5.	OHM
6.	400mH
7.	CAP
8.	LOGIC

KS57C2016-35
M.38D2



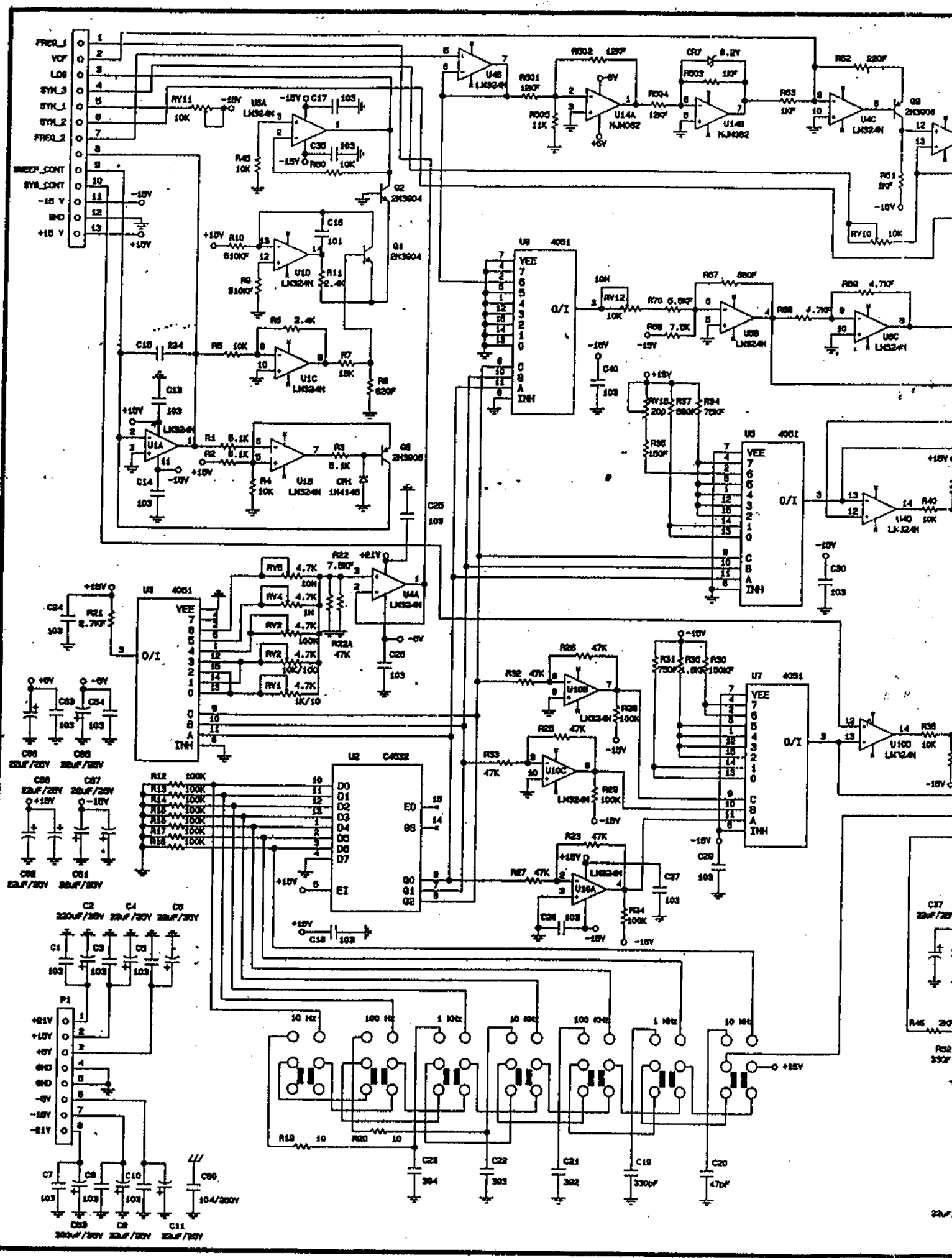
BACK LIGHTING PART



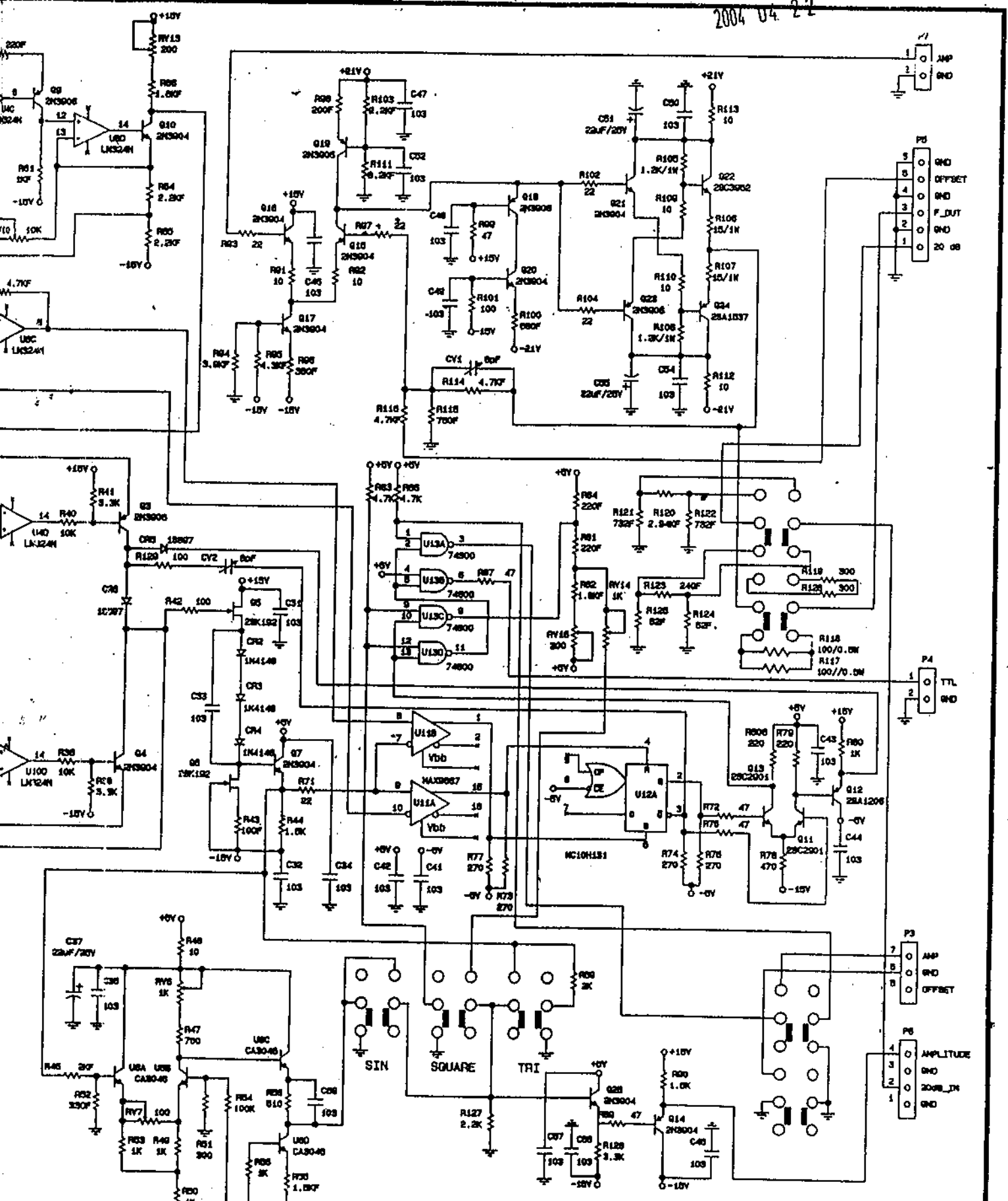
REMARKS :					
TITLE	MS91600 SCHEMATIC DIAGRAM (CPU: M3802)				
DRAWN	DESIGNED	CHECKED	APPROVED	DATE	1998.9.30
I. J. HAM				DWG. NO.	MS9160HR3
METEX INSTRUMENTS			MODEL	MS91600	



MS9160HR3



2004 U4 2-2

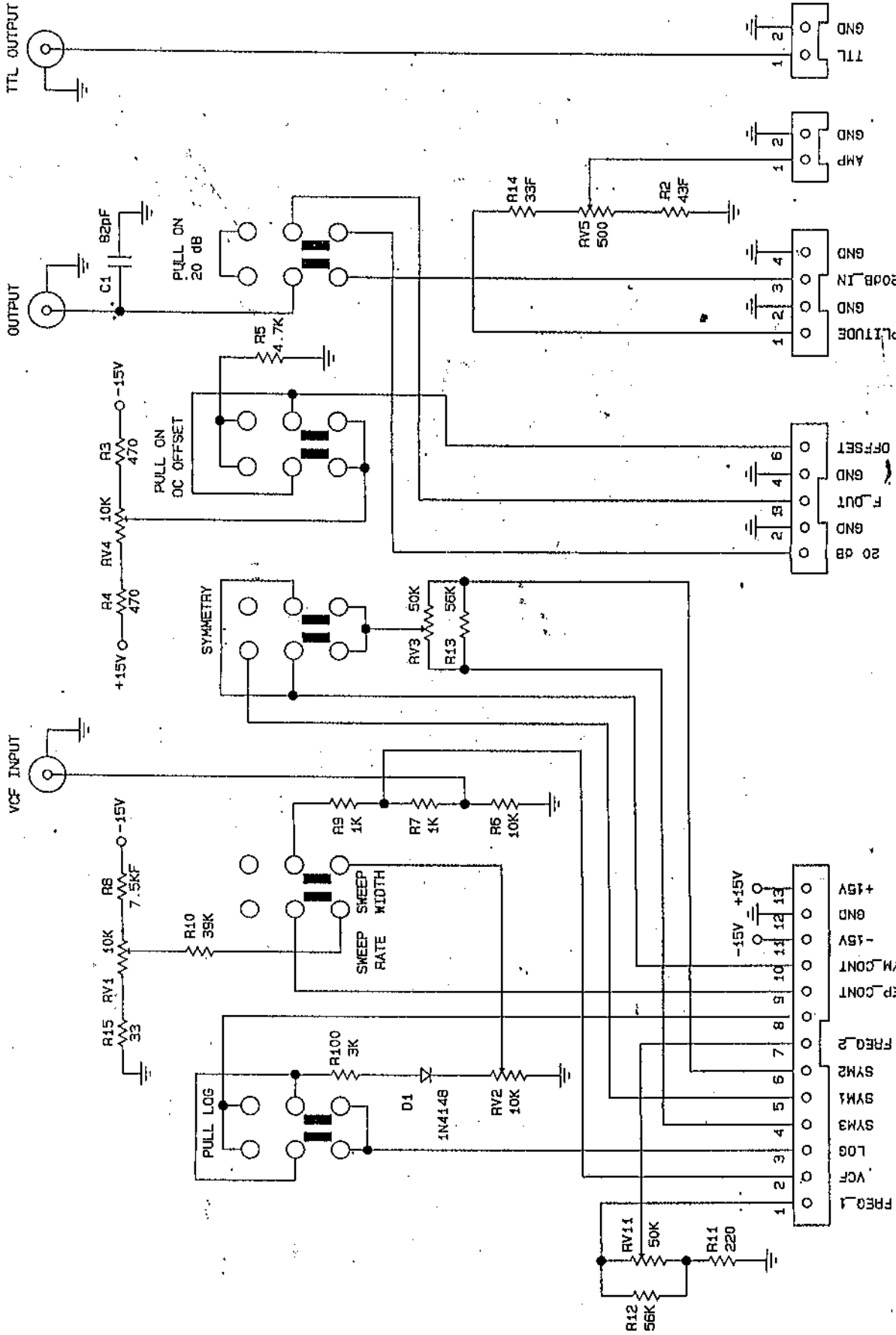


REMARKS :
MHS-553 FUNCTION GENERATOR

TITLE	10 MHz FUNCTION GENERATOR SCHEMATIC DIAGRAM				
DRAWN	DESIGNED	CHECKED	APPROVED	DATE	1998.8.18
I.J.HAM	M.K.KIM	M.K.KIM	S.H.PARK	DWG_NO	4TH
METEX INSTRUMENTS			MODEL	MS-9160	



P 4 B

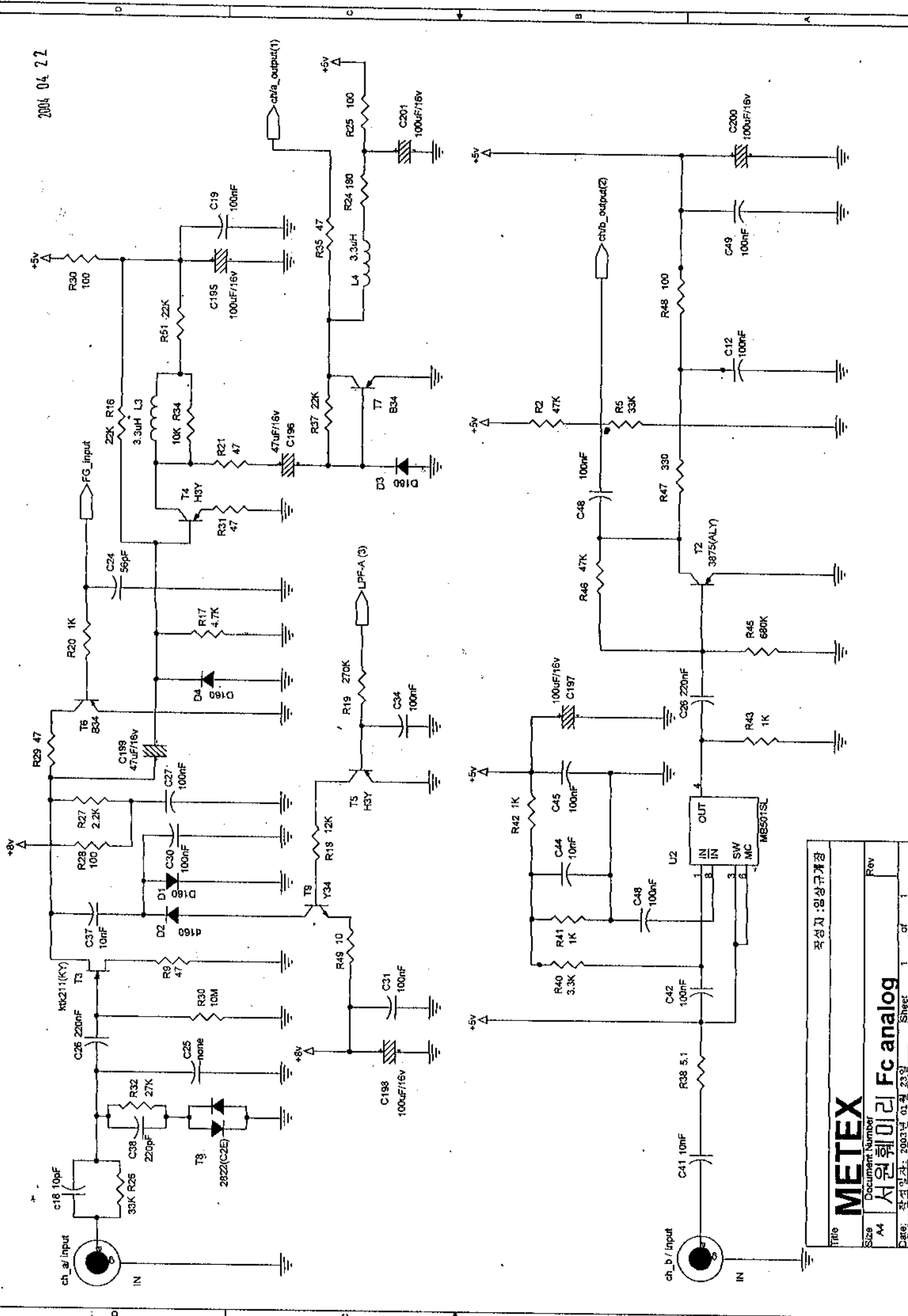


TITLE	FUNCTION GENERATOR CONTROL BOARD SCHEMATIC DIAGRAM				
DRAWN	DESIGNED	CHECKED	APPROVED	DATE	1998.8.18
Z. J. HAM	W. K. KIM	M. K. KIM	J. H. PARK	DWG_NO	3RD
METEX INSTRUMENTS			MODEL	MS-9150	

REMARKS :
MHS-553 FUNCTION GENERATOR CONTROL



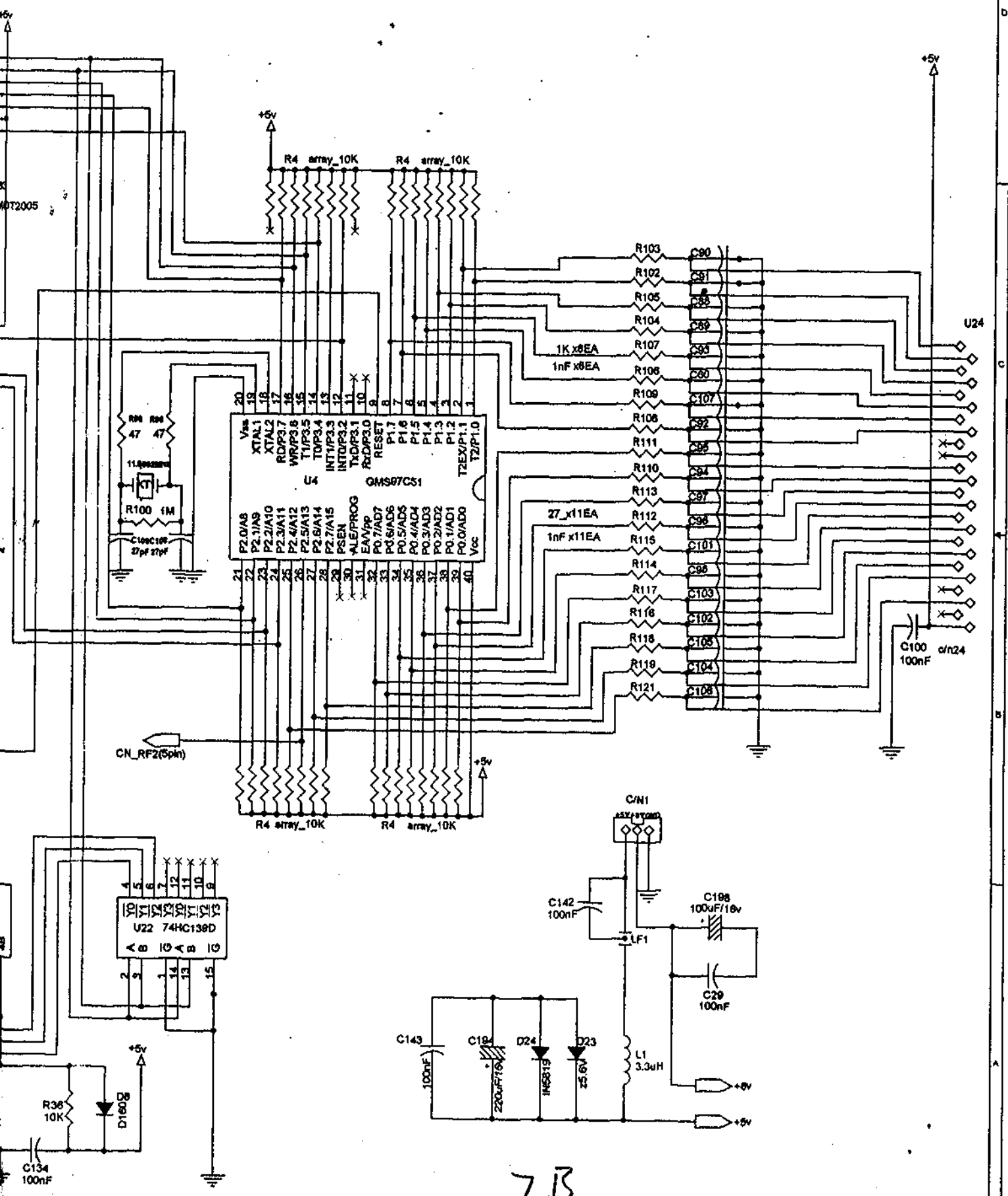
2004 04 22



Title		작성자 : 임성규개장	
Size	Document Number		
A4	서원휘메이리 Fc analog		
Date:	작성 일자 : 2003년 01월 23일	Sheet	1 of 1

Title		METEX	
Size	Document Number	서원 웨이리 FC_주파수 카운터	
A3	Rev		
Date:	작성일자	2003년 02월 23일	Sheet of

2004 04 22



7B