

JVC

SERVICE MANUAL

AUDIO/VIDEO CONTROL RECEIVER

RX-6042S

Area suffix

UN ----- Asean

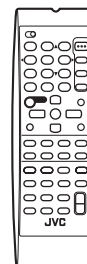
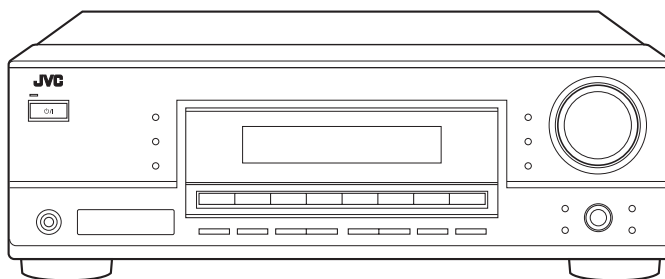


TABLE OF CONTENTS

1	PRECAUTION.....	1-3
2	SPECIFIC SERVICE INSTRUCTIONS.....	1-3
3	DISASSEMBLY.....	1-3
4	ADJUSTMENT.....	1-3
5	TROUBLESHOOTING.....	1-3

SPECIFICATION

Amplifier			
Output Power	At Stereo operation	Front channels	100 W*1 per channel, min. RMS, driven into 8 Ω, at 1 kHz with no more than 0.8% total harmonic distortion (IEC268-3/DIN).
	At Surround operation	Front channels	100 W per channel, min. RMS, driven into 8 Ω, at 1 kHz with no more than 0.8% total harmonic distortion.
		Center channel	100 W, min. RMS, driven into 8 Ω, at 1 kHz with no more than 0.8% total harmonic distortion.
		Surround channels	100 W per channel, min. RMS, driven into 8 Ω, at 1 kHz with no more than 0.8% total harmonic distortion.
Audio	Audio Input Sensitivity/Impedance (1 kHz)	CD, TAPE/CDR, VCR, TV SOUND, DVD	220 mV/47 kΩ
	Audio Input (DIGITAL IN)*2	Coaxial	DIGITAL 1 (DVD):0.5 V(p-p)/75 Ω
		Optical	DIGITAL 2 (CD), DIGITAL 3 (TV):-21 dBm to -15 dBm (660 nm ±30 nm)
	Recording Output Level	TAPE/CDR, VCR	220 mV
	Signal-to-Noise Ratio ('66 IHF/DIN)	CD, TAPE/CDR, VCR, TV SOUND, DVD	87 dB/62 dB
	Frequency Response (8 Ω)	CD, TAPE/CDR, VCR, TV SOUND, DVD	20 Hz to 50 kHz (+1 dB, -3 dB)
	Bass Boost		+3 dB ±1 dB at 100 Hz
	Equalization (5 bands)	63 Hz, 250 Hz, 1 kHz, 4 kHz, 16 kHz	±8 dB (in 2 dB steps)
Video	Video Input Sensitivity/Impedance	Composite video:DVD, VCR	1 V(p-p)/75 Ω
		S-video:DVD, VCR	(Y: luminance):1 V(p-p)/75 Ω (C: chrominance, burst):0.286 V(p-p)/75 Ω
		Component:DVD, VCR	(Y: luminance):1 V(p-p)/75 Ω (PB, PR):0.7 V(p-p)/75 Ω
	Video Output Level	Composite video:VCR, MONITOR OUT	1 V(p-p)/75 Ω
		S-video:VCR, MONITOR OUT	(Y: luminance):1 V(p-p)/75 Ω (C: chrominance, burst):0.286 V(p-p)/75 Ω
		Component:MONITOR OUT	(Y: luminance):1 V(p-p)/75 Ω (PB, PR):0.7 V(p-p)/75 Ω
	Synchronization		Negative
	Signal-to-Noise Ratio		45 dB
FM tuner (IHF)			
Tuning Range		87.50 MHz to 108.00 MHz	
Usable Sensitivity	Monaural	12.8 dBf (1.2 μV/75 Ω)	
50 dB Quieting Sensitivity	Monaural	16.0 dBf (1.7 μV/75 Ω)	
	Stereo	37.5 dBf (20.5 μV/75 Ω)	
Stereo Separation at OUT (REC)		35 dB at 1 kHz	
AM tuner			
Tuning Range		531 kHz to 1 602 kHz (at 9 kHz intervals) 530 kHz to 1 600 kHz (at 10 kHz intervals)	
General			
Power Requirements		AC 110 V/127 V/220 V/230 V - 240 V , adjustable with the voltage selector, 50 Hz/60 Hz	
Power Consumption		200 W (at operation) 2 W (in standby mode)	
Dimensions (W × H × D)		435 mm × 146.5 mm × 409.5 mm	
Mass		9.8 kg	

*1 Measured on AC 110 V, 127 V, 220 V, and 240 V

*2 Corresponding to Linear PCM, Dolby Digital, and DTS Digital Surround (with sampling frequency -32 kHz, 44.1 kHz, 48 kHz)
Designs and Specifications are subject to change without notice.

**SECTION 1
PRECAUTION**

Please refer to "RX-6042S (No.MB197)" about this section.

**SECTION 2
SPECIFIC SERVICE INSTRUCTIONS**

Please refer to "RX-6042S (No.MB197)" about this section.

**SECTION 3
DISASSEMBLY**

Please refer to "RX-6042S (No.MB197)" about this section.

**SECTION 4
ADJUSTMENT**

Please refer to "RX-6042S (No.MB197)" about this section.

**SECTION 5
TROUBLESHOOTING**

Please refer to "RX-6042S (No.MB197)" about this section.



JVC

Victor Company of Japan, Limited

AV & MULTIMEDIA COMPANY AUDIO/VIDEO SYSTEMS CATEGORY 10-1,1chome,Ohwatari-machi,Maebashi-city,371-8543,Japan

(No.MB398)



Printed in Japan
VPT

JVC

SCHEMATIC DIAGRAMS

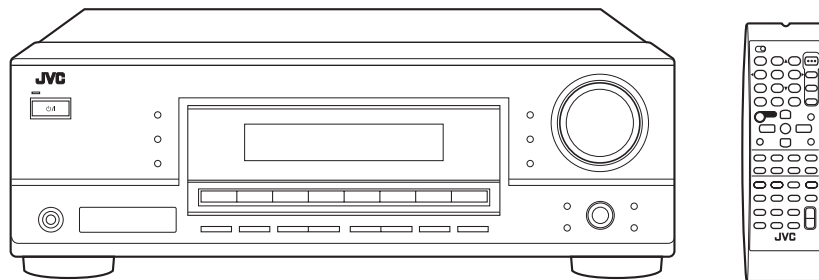
AUDIO/VIDEO CONTROL RECEIVER

RX-6042S

CD-ROM No.SML200503

Area suffix

UN ----- Asean



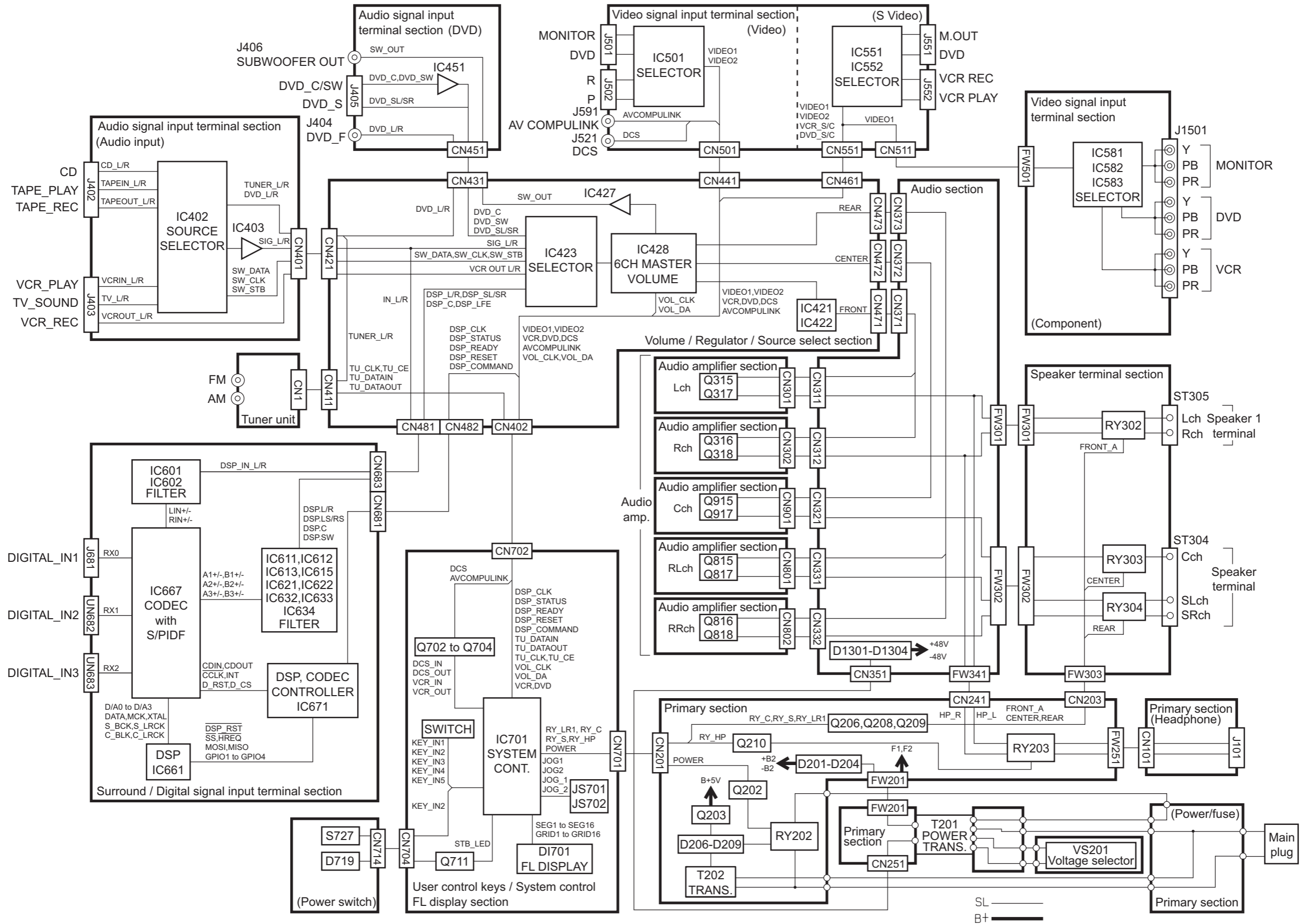
AV COMPU LINK

Contents

Block diagram	2-1
Standard schematic diagrams	2-2
Printed circuit boards	2-10 to 13

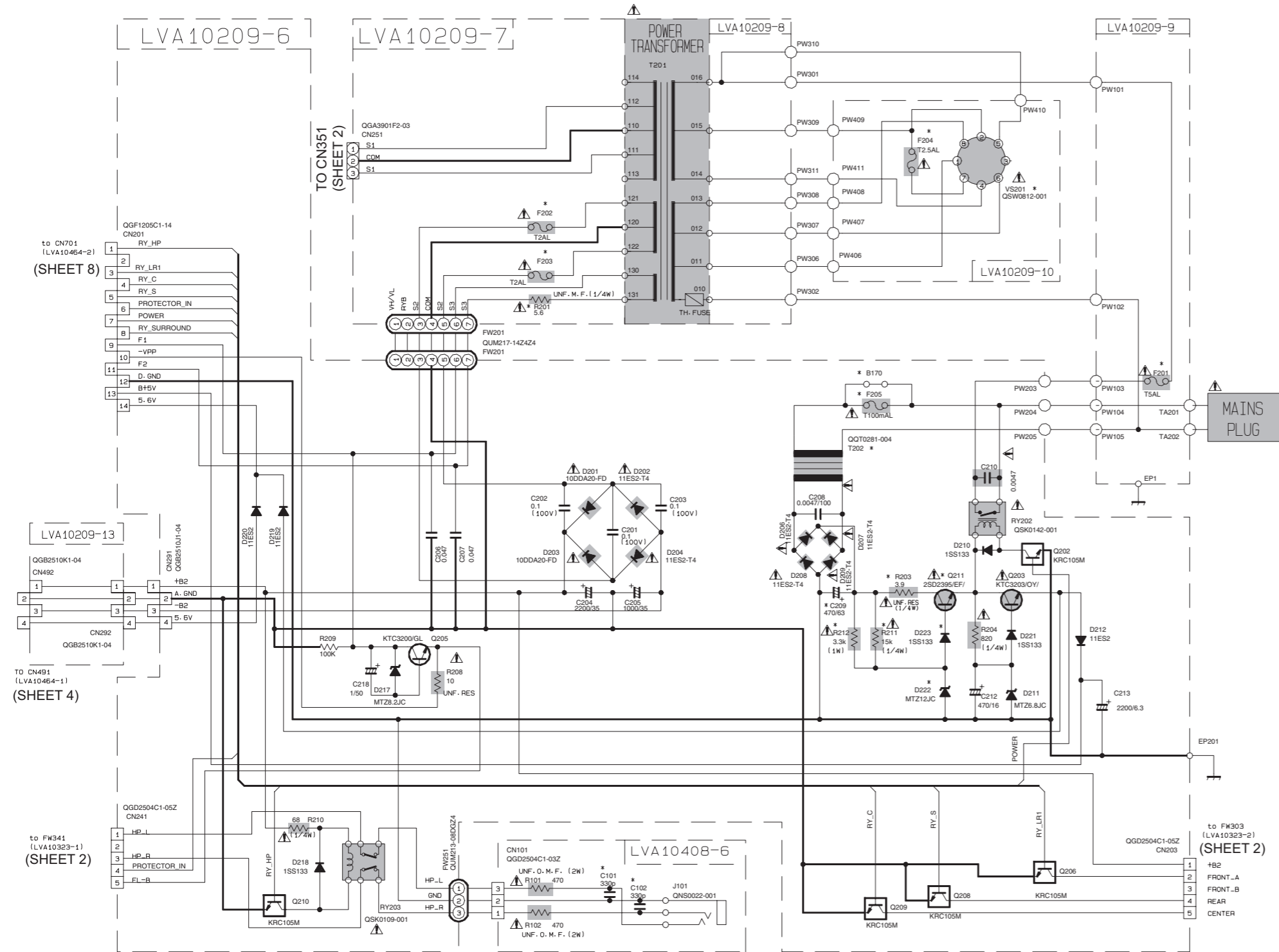
In regard with component parts appearing on the silk-screen printed side (parts side) of the PWB diagrams, the parts that are printed over with black such as the resistor (■), diode (⊣) and ICP (●) or identified by the "⚠" mark nearby are critical for safety.

Block diagram



Standard schematic diagrams

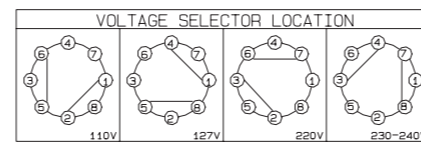
Primary section



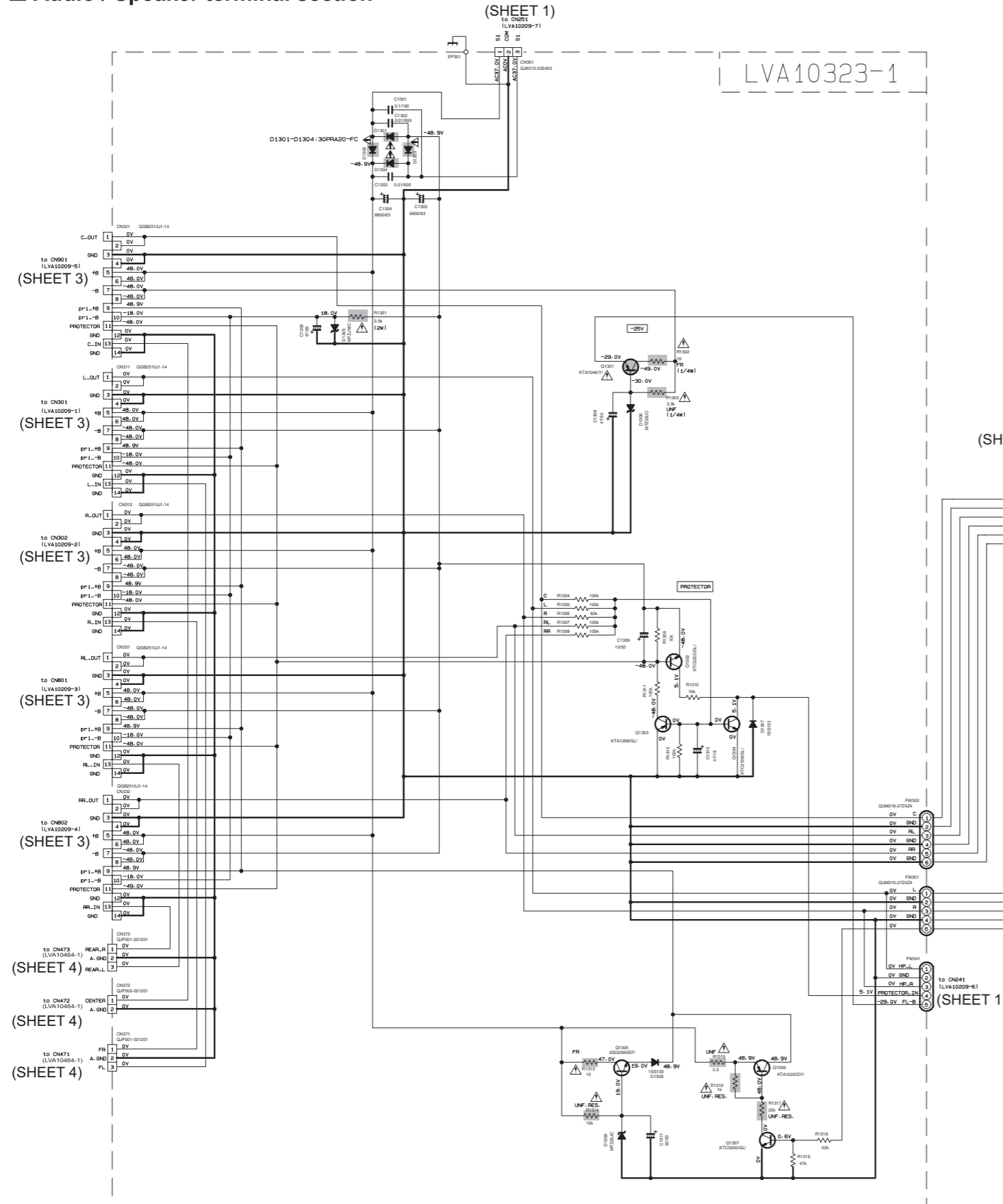
	J/C	E/EN/EV/A	US
F201	GMF51U1-6R3-JB (6.3A-125V)	GMF51W2-2R5-JB (2.5A-250V)	GMF51W2-5R0-JB (5A-250V)
F202, F203	GMF51U1-2R0-JB (2A-125V)	GMF51W2-2R0-JB (2A-250V)	GMF51W2-2R0-JB (2A-250V)
F204	NONE	NONE	GMF51W2-2R5-JB (2.5A-250V)
F205	NONE	GMF51E2-R10-J1 (100mA-250V)	GMF51E2-R10-J1 (100mA-250V)
B170	USE	NONE	NONE
VS201	NONE	NONE	USE

	J/C	E/EN/EV	US	A
R1	USE	NONE	NONE	NONE
R211, R212	NONE	NONE	USE	USE
R221, B146	USE	USE	NONE	NONE
R203	10	10	3.9	3.9
T202	QGT0434-001	QGT0433-001	QGT0281-004	QGT0281-004
C209	470/25	470/25	470/63	470/63
R201	2.7	2.7	5.6	5.6
C101	330P	0.001	330P	330P
C102	330P	0.001	330P	330P
C221	NONE	USE	NONE	NONE

▲ Parts are safety assurance parts. When replacing those parts make sure to use the specified one.

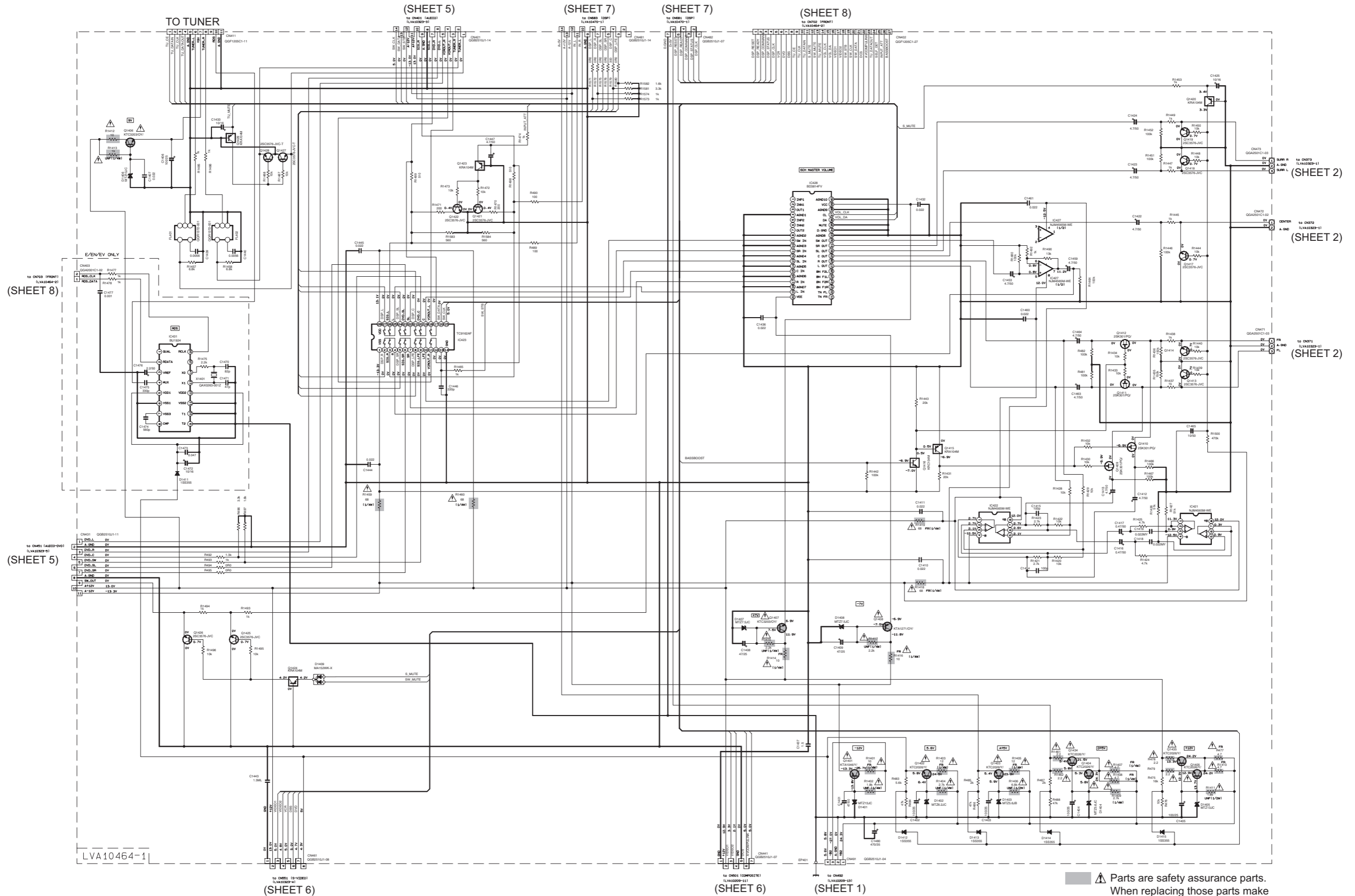


Audio / Speaker terminal section

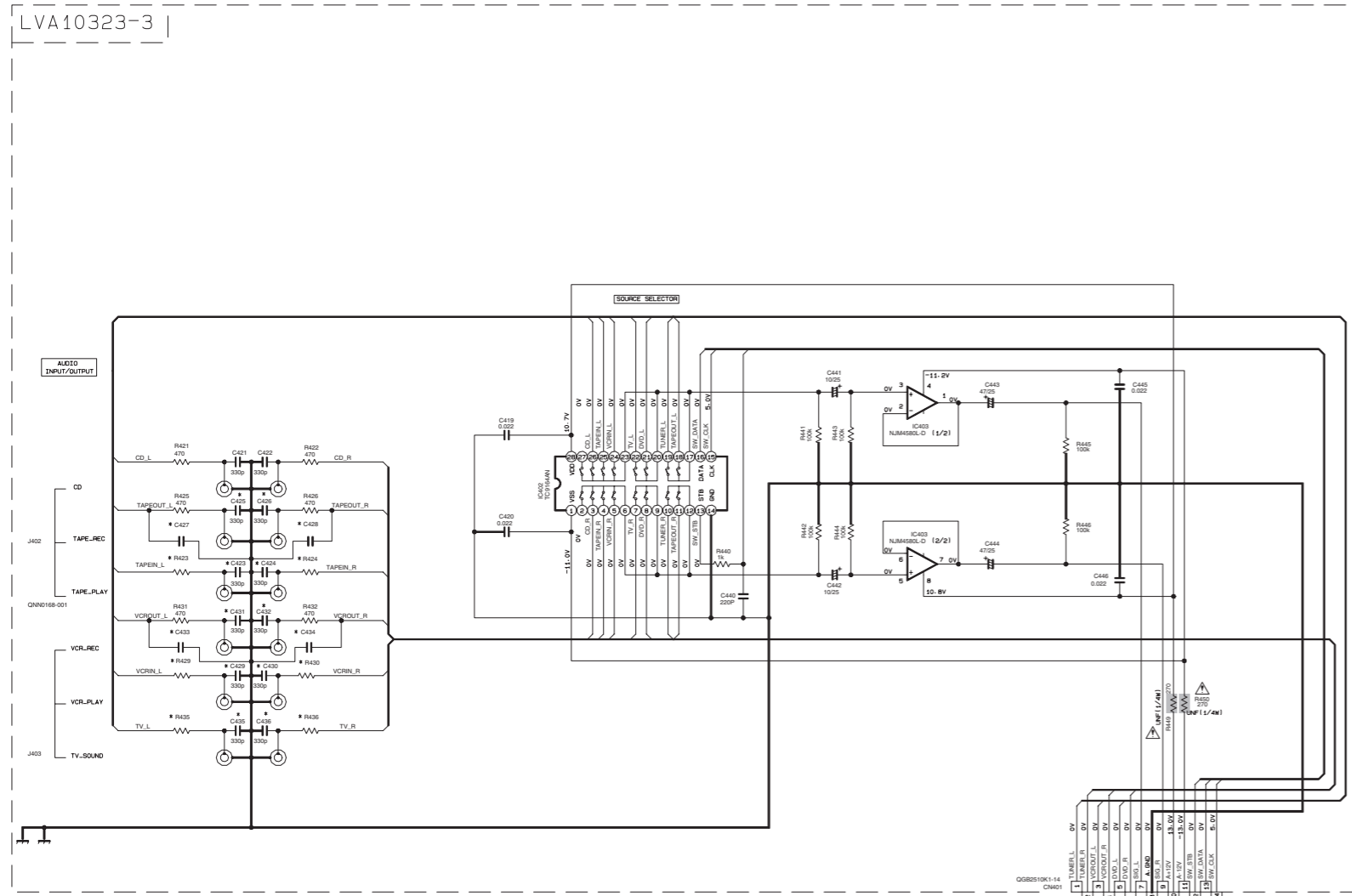


⚠ Parts are safety assurance parts. When replacing those parts make sure to use the specified one.

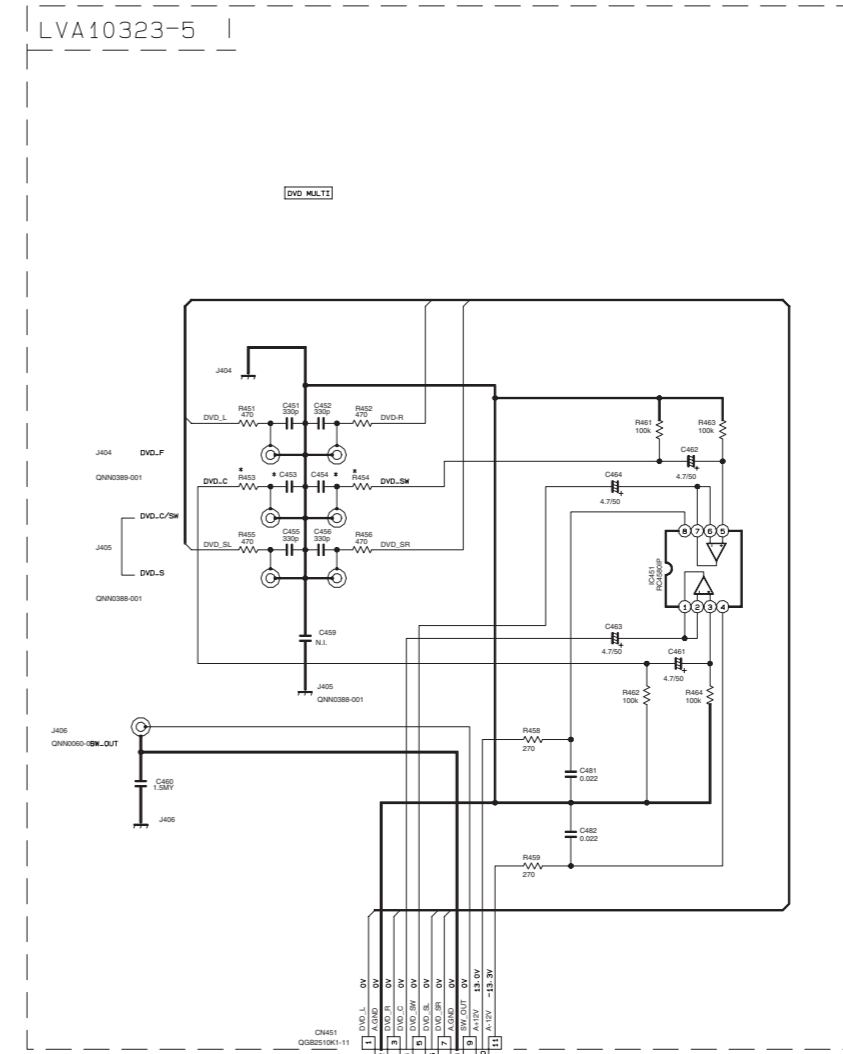
Volume / Regulator / Source select section



■ Audio signal input terminal section



(SHEET 4)



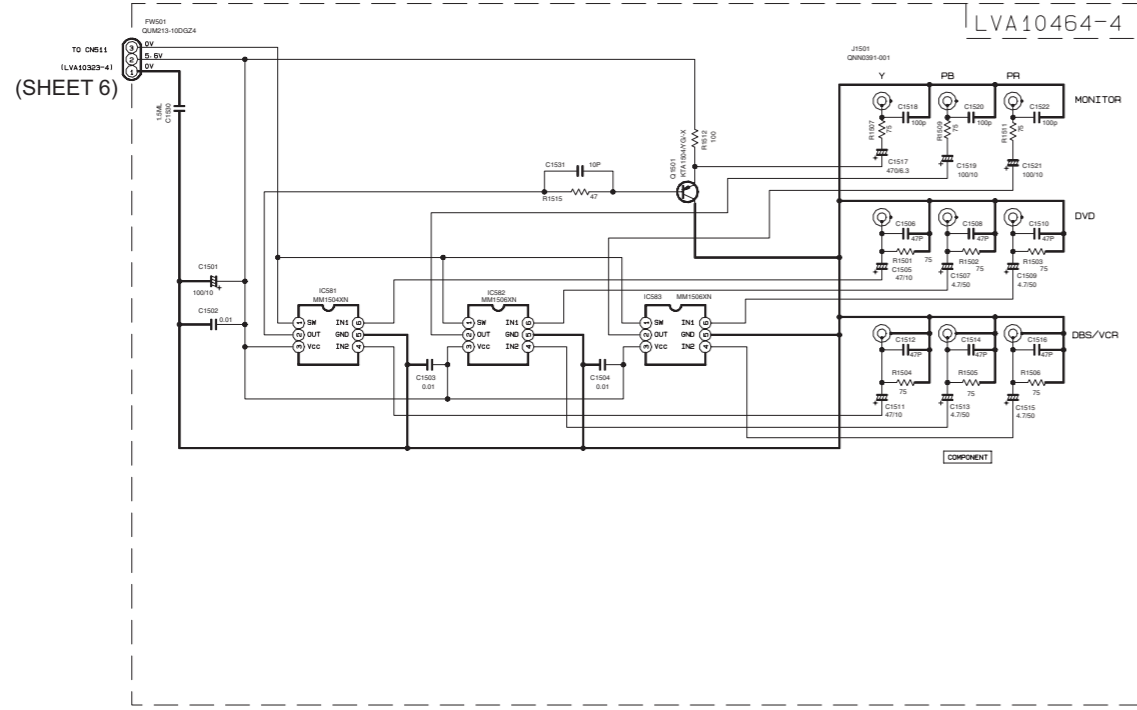
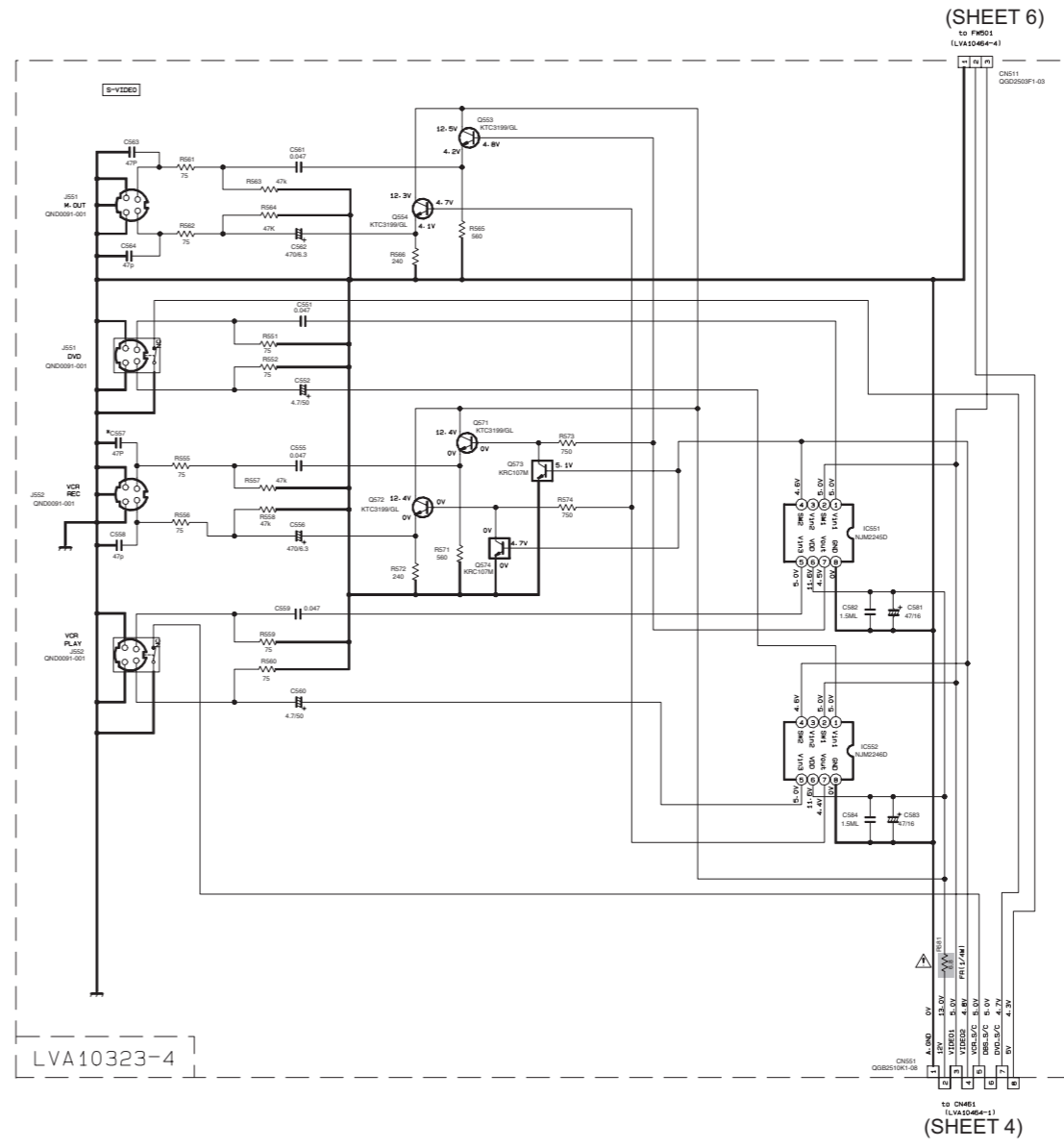
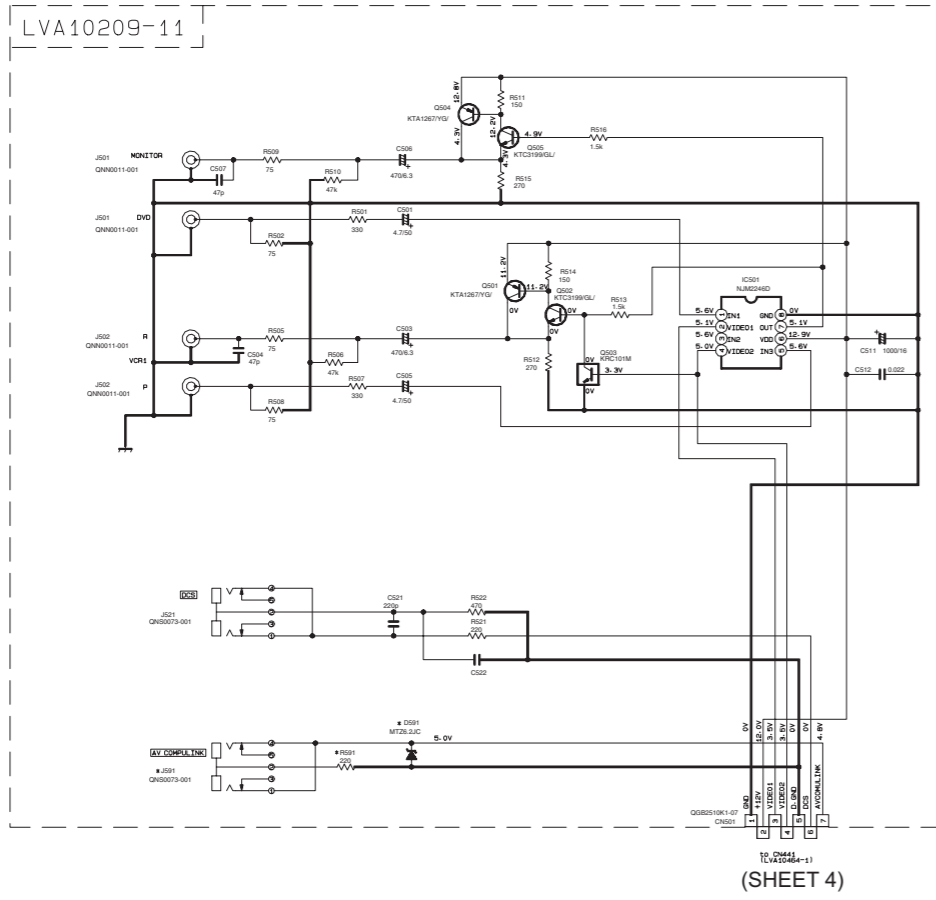
(SHEET 4)

⚠ Parts are safety assurance parts.
When replacing those parts make
sure to use the specified one.

MARK LIST

MARK	J/C	US/UT/UM/UP/A	B/E/EN/EV
C423	330P	330P	NONE
C424	330P	330P	NONE
C425	330P	330P	NONE
C426	330P	330P	NONE
C427	220P	220P	660P
C428	220P	220P	660P
C429	330P	330P	NONE
C430	330P	330P	NONE
C431	330P	330P	NONE
C432	330P	330P	NONE
C433	220P	220P	660P
C434	220P	220P	660P
C435	330P	330P	NONE
C436	330P	330P	NONE
R423	470	470	2.2K
R424	470	470	2.2K
R429	470	470	1K
R430	470	470	1K
R435	470	470	1K
R436	470	470	1K
R453	470	470	1K
R454	470	470	1K
C453	330P	330P	660P
C454	330P	330P	660P

Video signal input terminal section



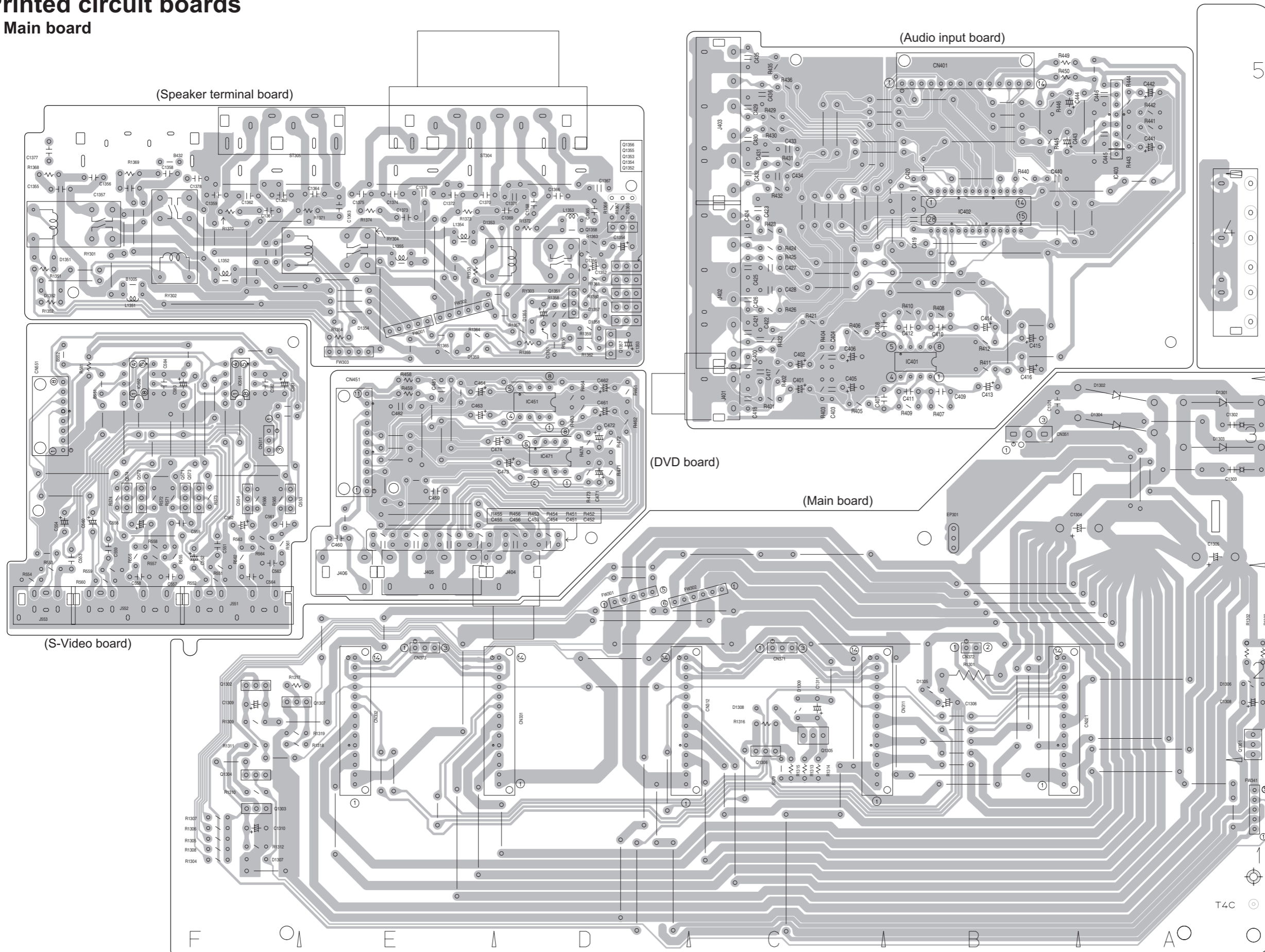
MARK LIST

MARK	J/C	US/IT/AL/JP/A	B/E/VE/VY
J591	USE	USE	NONE
J592	USE	USE	NONE
D591	USE	USE	NONE

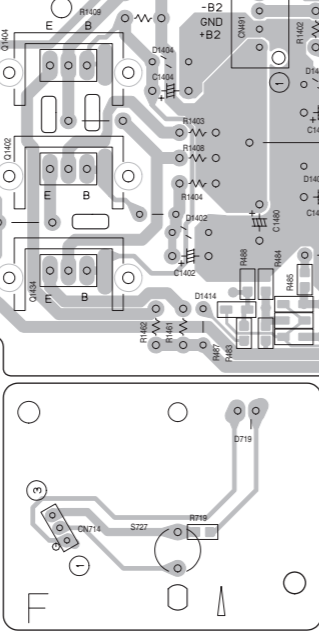
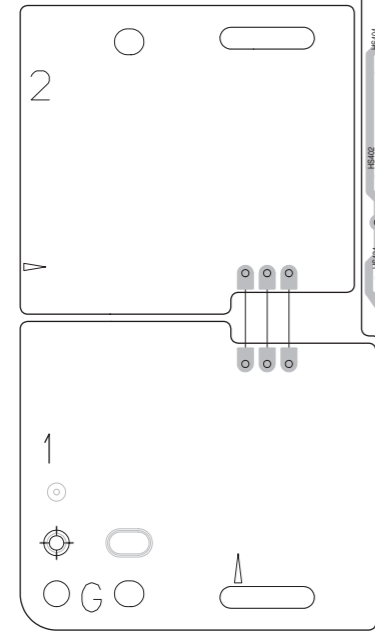
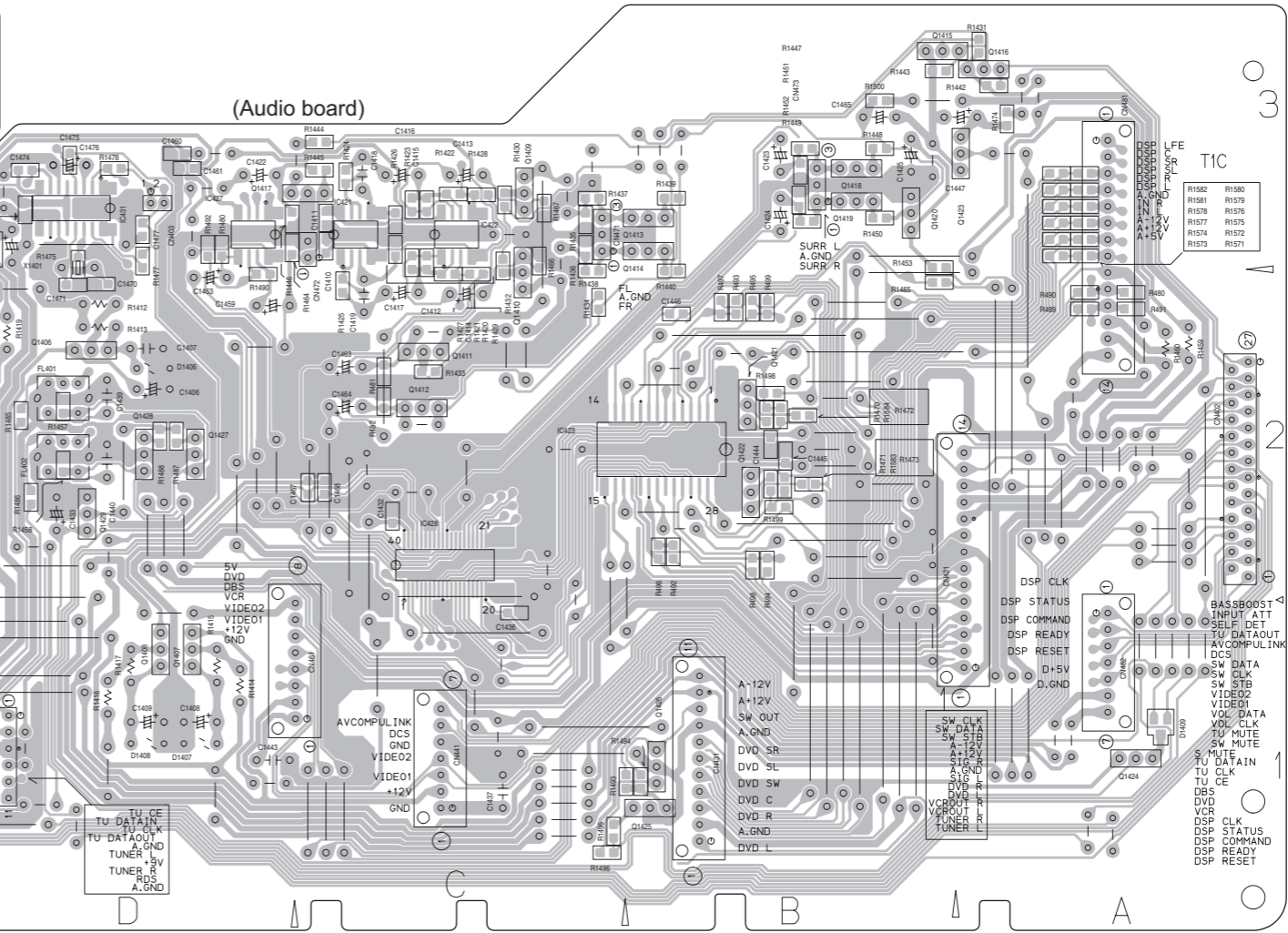
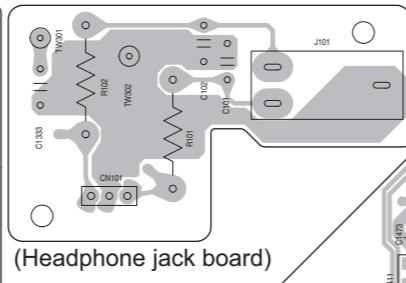
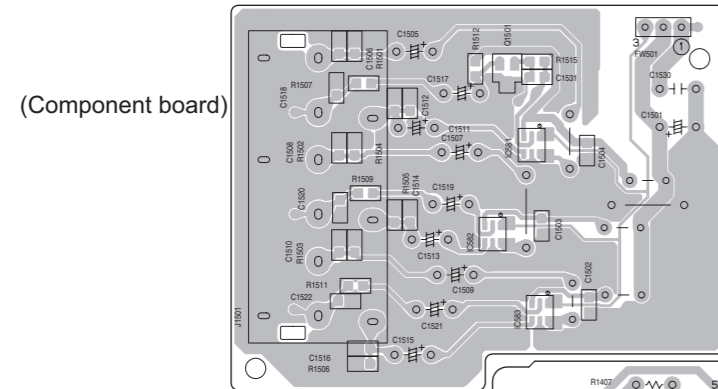
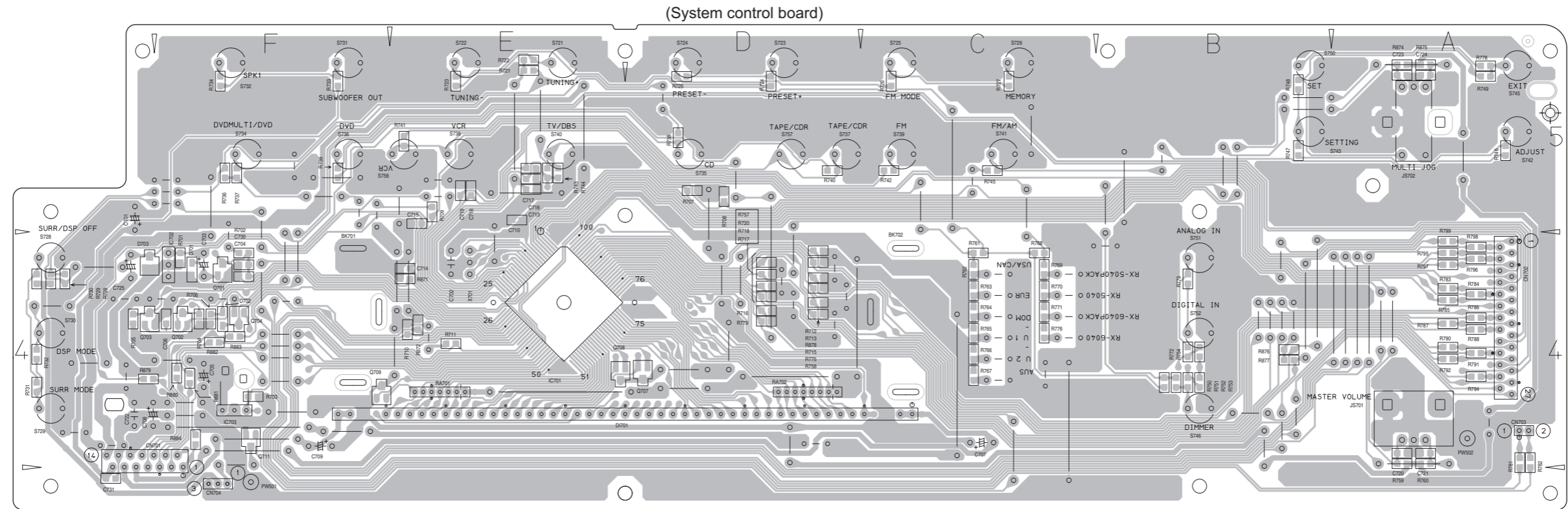
Parts are safety assurance parts.
When replacing those parts make
sure to use the specified one.

Printed circuit boards

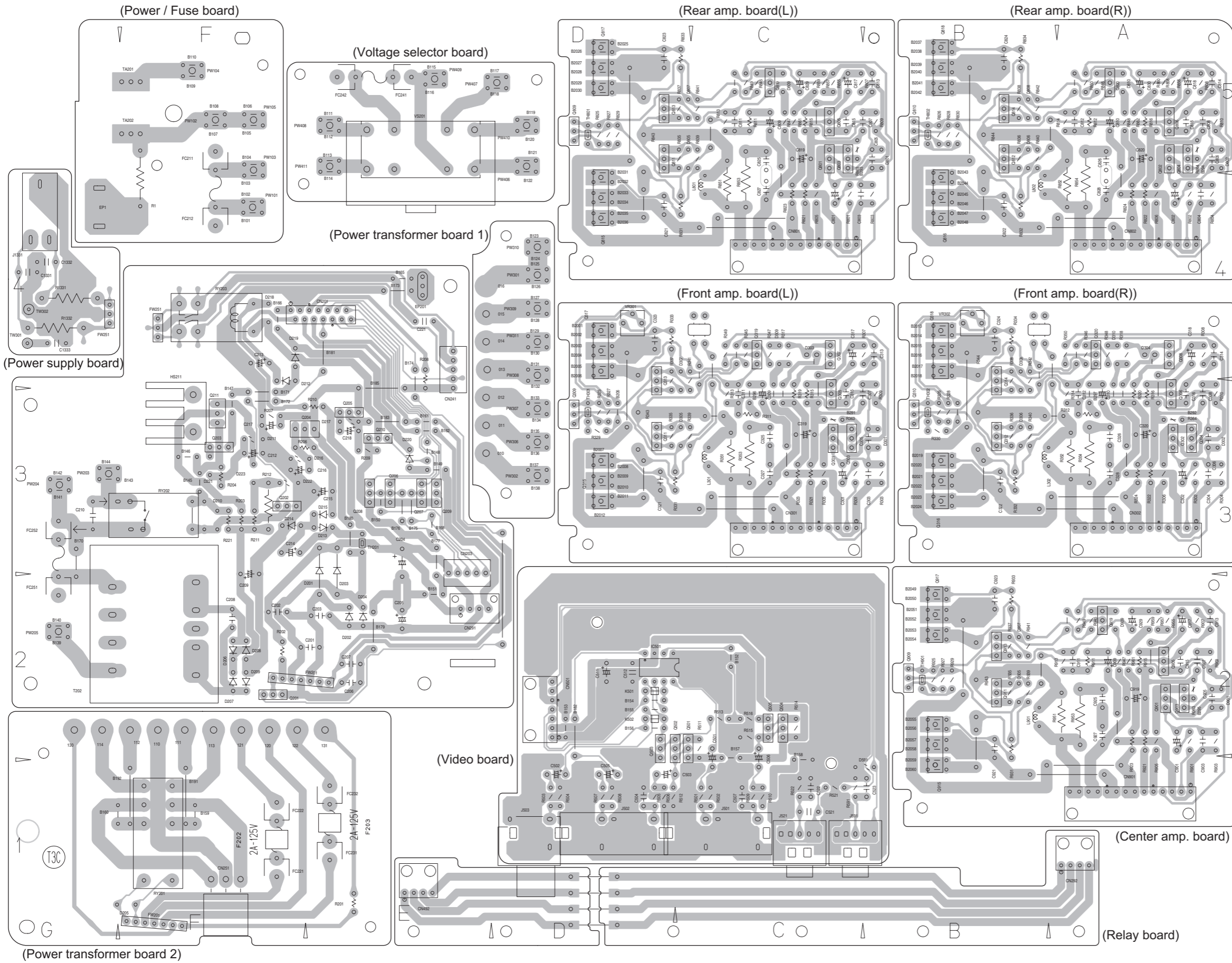
■ Main board



■ Front board

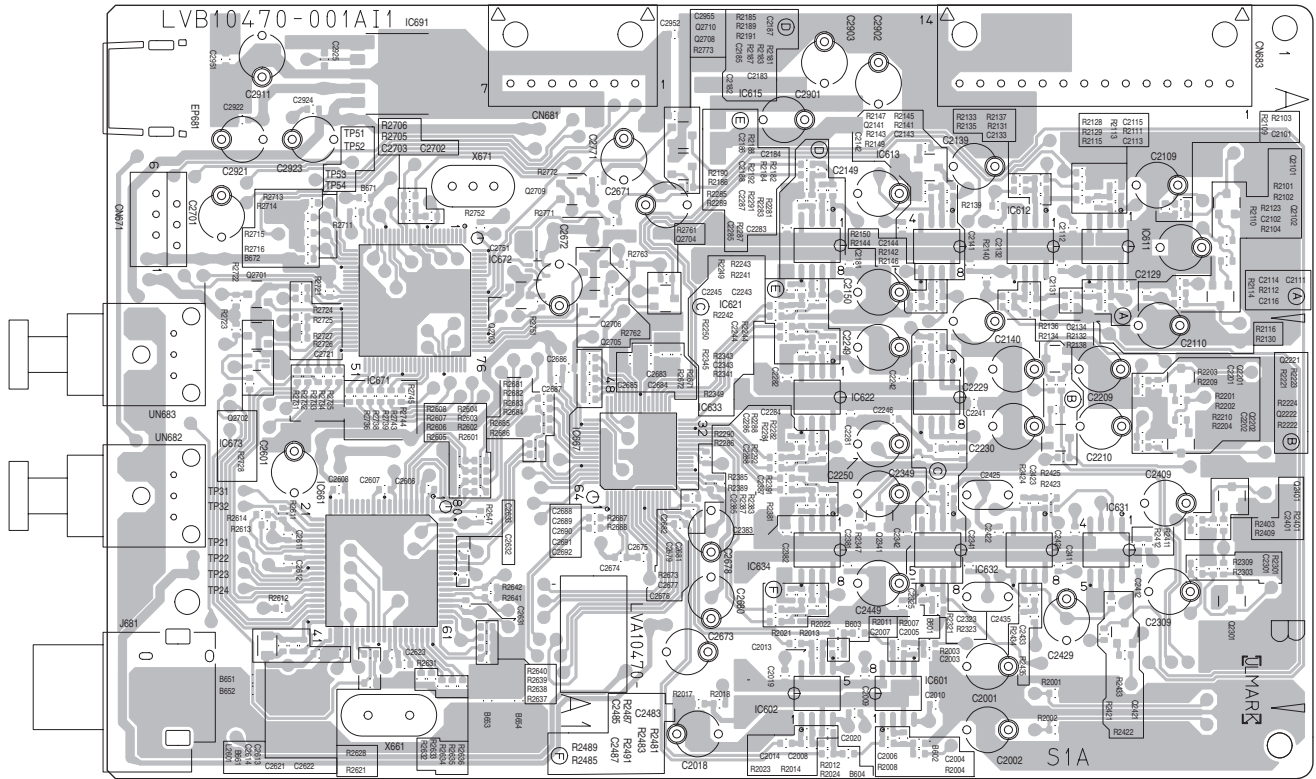


■ Power amp. board

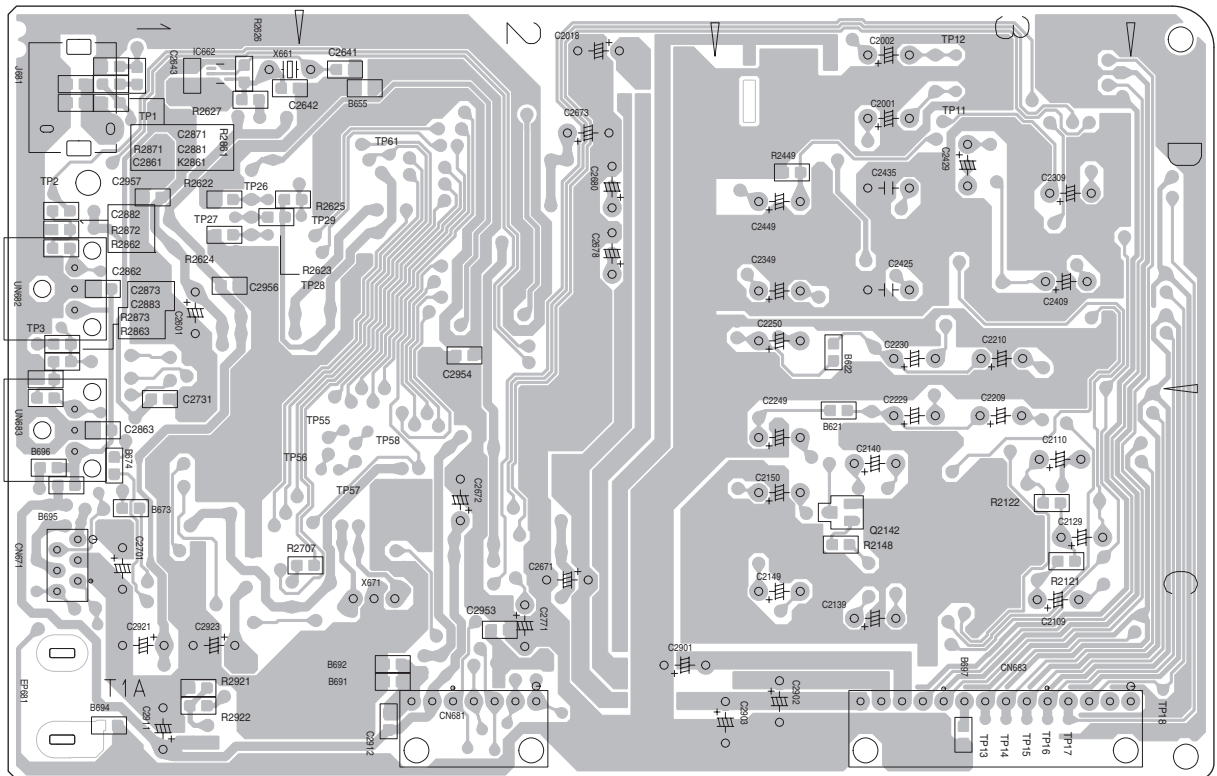


■ DSP board

Forward side



Reverse side



JVC

Victor Company of Japan, Limited

AV & MULTIMEDIA COMPANY AUDIO/VIDEO SYSTEMS CATEGORY 10-1, 1chome, Ohwatari-machi, Maebashi-city, 371-8543, Japan

(No.MB398SCH)



Printed in Japan
VPT

PARTS LIST

[RX-6042S]

* All printed circuit boards and its assemblies are not available as service parts.

Area suffix

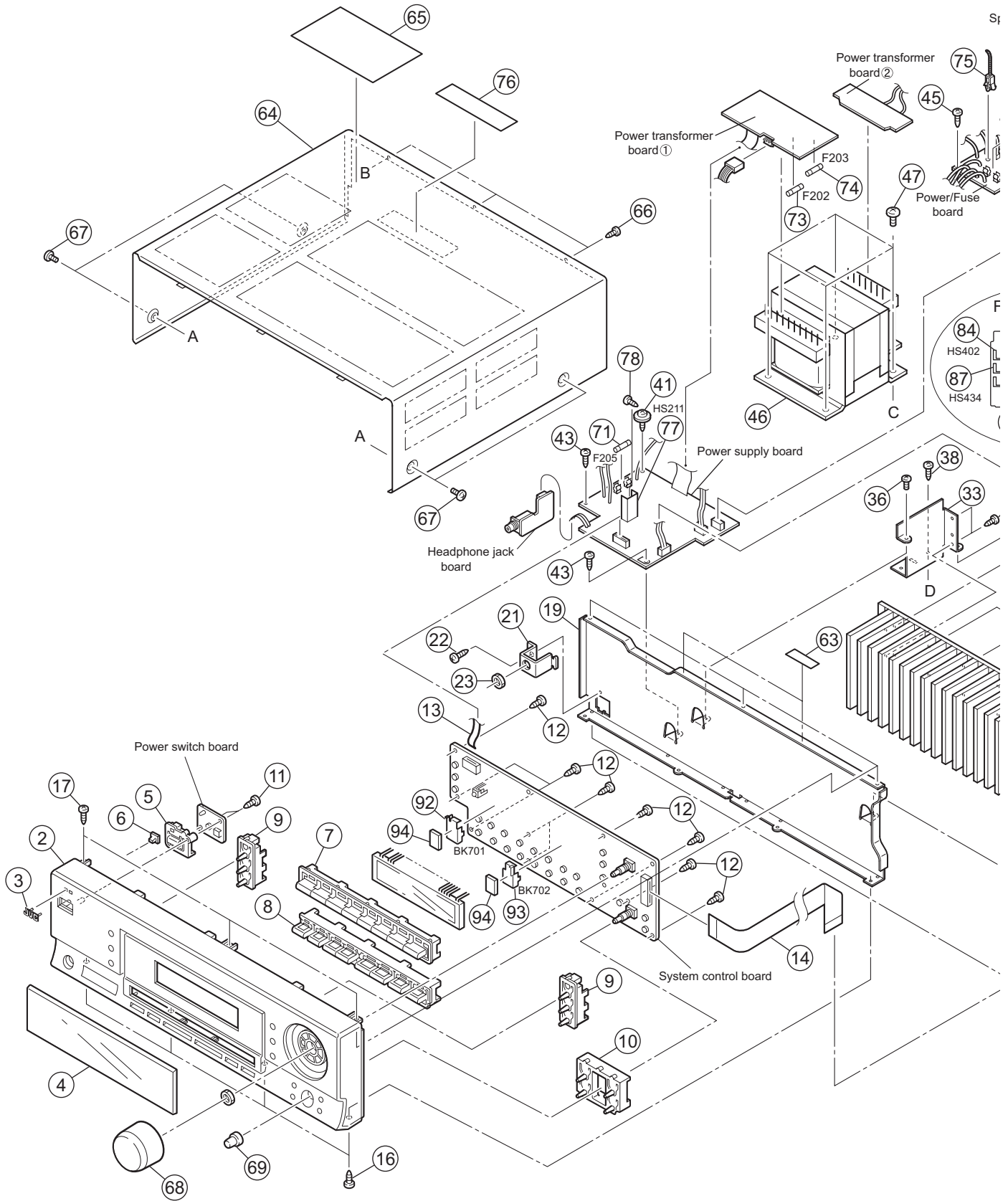
UN -----Asean

- Contents -

Exploded view of general assembly and parts list (Block No.M1)	3-2
Electrical parts list (Block No.01~04)	3-6
Packing materials and accessories parts list (Block No.M3)	3-18

Exploded view of general assembly and parts list

Block No. **M 1 M M**



General Assembly

Block No. [M][1][M][M]

△	Symbol No.	Part No.	Part Name	Description	Local
	1	QAU0346-001	TUNER	TU 1	
	2	LV10756-012A	FRONT PANEL		
	3	LV43338-002A	JVC MARK		
	4	LV34003-001A	LENS		
	5	LV34000-002A	PUSH BUTTON(POW		
	6	LV42096-001A	INDICATOR		
	7	LV21420-002A	PUSH BUTTON		
	8	LV21421-002A	PUSH BUTTON(FM)		
	9	LV34001-002A	3-BUTTON	(x2)	
	10	LV34002-002A	4-BUTTON		
	11	QYSBSF2608ZA	TAP SCREW	M2.6 x 8mm(x2)	
	12	QYSBSF2608ZA	TAP SCREW	M2.6 x 8mm(x9)	
	13	QUQ412-1415CJ	FFC WIRE	14pin 15cm	
	14	QUQ412-2734CJ	FFC WIRE	27pin 34cm	
	15	QUQ412-1110CJ	FFC WIRE	11pin 10cm	
	16	QYSBSG3008ZA	TAP SCREW	M3 x 8mm(x4)	
	17	QYSBSG3008ZA	TAP SCREW	M3 x 8mm(x3)	
	18	LV10019-003A	CHASSIS BASE		
	19	LV10458-003A	FRONT BRACKET		
	20	QYSBSG3008ZA	TAP SCREW	M3 x 8mm(x7)	
	21	LV43304-001A	BKT(PHONES)		
	22	QYSBSG3008ZA	TAP SCREW	M3 x 8mm	
	23	VKZ4150-001	SPECIAL NUT		
	24	E68587-223SM	CB BKT	(x3)	
	25	QYSBST3006ZA	TAP SCREW	M3 x 6mm(x3)	
	26	QZF6018-003	FOOT	60mm x 18mm(x2)	
	27	E47227-036	FOOT	(x2)	
	28	QYSBST3010ZA	TAP SCREW	M3 x 10mm(x4)	
	29	LV20916-002A	HEAT SINK		
	30	QYSBSG3012EA	TAP SCREW	M3 x 12mm(x10)	
	30	or E73525-008	SCREW	(x10)	
	31	LV42098-001A	C.B BKT		
	32	QYSBST3006ZA	TAP SCREW	M3 x 6mm	
	33	LV32433-001A	H.S BRACKET(R)		
	34	LV32434-001A	H.S BRACKET(L)		
	35	QYSBSG3008ZA	TAP SCREW	M3 x 8mm(x4)	
	36	QYSBST3006ZA	TAP SCREW	M3 x 6mm(x2)	
	37	QYSBSG3008ZA	TAP SCREW	M3 x 8mm(x2)	
	38	QYSBST3006ZA	TAP SCREW	M3 x 6mm(x2)	
	39	QYSBSG3008ZA	TAP SCREW	M3 x 8mm	
	40	E65923-009	TAPPING SCREW		
	41	E65923-009	TAPPING SCREW		
	42	QYSBSG3008ZA	TAP SCREW	M3 x 8mm(x3)	
	43	QYSBSG3008ZA	TAP SCREW	M3 x 8mm(x2)	
	44	E65923-009	TAPPING SCREW		
	45	QYSBSG3008ZA	TAP SCREW	M3 x 8mm	
△	46	QQT0429-001	POWER TRANSF		
	47	QYSDSL4008ZA	TAP SCREW	M4 x 8mm(x4)	
	48	LV20915-087A	REAR PANEL		
	49	QYSBSGY3008MA	TAP SCREW	M3 x 8mm(x3)	
	50	QYSBSGY3008MA	TAP SCREW	M3 x 8mm	
	51	QYSBSGY3008MA	TAP SCREW	M3 x 8mm(x2)	
	52	QYSBSGY3008MA	TAP SCREW	M3 x 8mm(x4)	
	53	QYSBSGY3008MA	TAP SCREW	M3 x 8mm(x3)	
	54	QYSBSGY3008MA	TAP SCREW	M3 x 8mm(x2)	
	55	QYSBSGY3008MA	TAP SCREW	M3 x 8mm(x2)	
	56	QYSBSGY3008MA	TAP SCREW	M3 x 8mm(x4)	
	57	QYSBSGY3008MA	TAP SCREW	M3 x 8mm(x2)	
	58	QYSBSGY3008MA	TAP SCREW	M3 x 8mm(x4)	
	59	QYSBSGY3008MA	TAP SCREW	M3 x 8mm(x4)	
	60	QYSBSGY3008MA	TAP SCREW	M3 x 8mm(x2)	
△	61	QMPK250-205-JV	POWER CORD(EU)	2.05m BLACK	
△	62	QZW0033-001	STRAIN RELIEF		
	63	LV30225-0H3A	SPACER	(x2)	
	64	LV21422-008A/S/	METAL COVER		
	65	LV30077-006A	PROTECT SHEET		
	66	QYSBSGY3008MA	TAP SCREW	M3 x 8mm(x3)	
	67	E406308-007	SCREW	(x4)	
	68	LV43463-002A	VOL KNO ASSY		
	69	LV43458-002A	JOG KNOB ASSY		
△	70	QMF51W2-5R0-J8	FUSE	F201 5A AC250V	
△	71	QMF51E2-R10-J1	FUSE	F205 0.1A AC250V	
△	72	QMF51W2-2R5-J8	FUSE	F204 2.5A AC250V	
△	73	QMF51W2-2R0-J8	FUSE	F202 2A AC250V	

△	Symbol No.	Part No.	Part Name	Description	Local
△	74	QMF51W2-2R0-J8	FUSE	F203 2A AC250V	
	75	E307572-001	FASTENER		
	76	E409396-003	CAUTION LABEL		
	77	E70945-H40B	HEAT SINK	HS 921	
	78	QYSBSG3008EA	TAP SCREW	M3 x 8mm	
△	79	QSW0812-001	VOLTAGE SWITCH		
	80	E70306-001	HEAT SINK	HS 951	
	81	QYSBSG3008EA	TAP SCREW	M3 x 8mm	
	82	E70306-001	HEAT SINK	HS 951	
	83	QYSBSG3008EA	TAP SCREW	M3 x 8mm	
	84	E70306-001	HEAT SINK	HS 951	
	85	QYSBSG3008EA	TAP SCREW	M3 x 8mm	
	86	E70306-001	HEAT SINK	HS 951	
	87	E70306-001	HEAT SINK	HS 951	
	88	QYSBSG3008EA	TAP SCREW	M3 x 8mm(x2)	
	89	E70306-001	HEAT SINK	HS 951	
	90	E70306-001	HEAT SINK	HS 951	
	91	QYSBSG3008EA	TAP SCREW	M3 x 8mm(x2)	
	92	LV42093-001A	FL HOLDER(L)	BK 401	
	93	LV42092-001A	FL HOLDER(R)	BK 400	
	94	LV30225-0S7A	SPACER	FS 400(x2)	
	95	LV44292-001A	C/O LABEL		

Electrical parts list

Main board

Block No. [0][1]

△ Symbol No.	Part No.	Part Name	Description	Local
IC402	TC9164AN	IC		
IC403	NJM4580L-D	IC		
IC451	RC4580IP	IC		
IC551	NJM2245D	IC		
IC552	NJM2246D	IC		
Q553	KTC3199/GL-T	TRANSISTOR		
Q554	KTC3199/GL-T	TRANSISTOR		
Q571	KTC3199/GL-T	TRANSISTOR		
Q572	KTC3199/GL-T	TRANSISTOR		
Q573	KRC107M-T	DIGI TRANSISTOR		
Q574	KRC107M-T	DIGI TRANSISTOR		
△ Q1301	KTA1046/YI	TRANSISTOR		
Q1302	KTC3200/GL-T	TRANSISTOR		
Q1303	KTA1268/GL-T	TRANSISTOR		
Q1304	KTC3199/GL-T	TRANSISTOR		
Q1305	2SD2395/EF/	TRANSTRANSISTOR		
Q1306	KTA1023/OY-T	TRANSISTOR		
Q1307	KTC3200/GL-T	TRANSISTOR		
Q1351	KRC109M-T	DIGI TRANSISTOR		
Q1352	KRC109M-T	DIGI TRANSISTOR		
Q1353	KRC109M-T	DIGI TRANSISTOR		
Q1354	KRC109M-T	DIGI TRANSISTOR		
Q1355	KRC109M-T	DIGI TRANSISTOR		
Q1356	KRC109M-T	DIGI TRANSISTOR		
Q1357	KRC109M-T	DIGI TRANSISTOR		
Q1358	KRC109M-T	DIGI TRANSISTOR		
△ D1301	30PRA20-FC	SI DIODE		
△ D1302	30PRA20-FC	SI DIODE		
△ D1303	30PRA20-FC	SI DIODE		
△ D1304	30PRA20-FC	SI DIODE		
D1305	MTZJ18C-T2	Z DIODE		
D1306	MTZJ36C-T2	Z DIODE		
D1307	1SS133-T2	SI DIODE		
D1308	1SS133-T2	SI DIODE		
D1309	MTZJ20C-T2	Z DIODE		
D1352	1SS133-T2	SI DIODE		
D1353	1SS133-T2	SI DIODE		
D1354	1SS133-T2	SI DIODE		
D1355	1SS133-T2	SI DIODE		
D1356	MTZJ5.1C-T2	Z DIODE		
D1357	1SS133-T2	SI DIODE		
D1358	1SS133-T2	SI DIODE		
D1359	1SS133-T2	SI DIODE		
D1360	1SS133-T2	SI DIODE		
C419	QCBB1HK-223Y	C CAPACITOR	0.022uF 50V K	
C420	QCBB1HK-223Y	C CAPACITOR	0.022uF 50V K	
C421	QCBB1HK-331Y	C CAPACITOR	330pF 50V K	
C422	QCBB1HK-331Y	C CAPACITOR	330pF 50V K	
C423	QCBB1HK-331Y	C CAPACITOR	330pF 50V K	
C424	QCBB1HK-331Y	C CAPACITOR	330pF 50V K	
C425	QCBB1HK-331Y	C CAPACITOR	330pF 50V K	
C426	QCBB1HK-331Y	C CAPACITOR	330pF 50V K	
C427	QCBB1HK-221Y	C CAPACITOR	220pF 50V K	
C428	QCBB1HK-221Y	C CAPACITOR	220pF 50V K	
C429	QCBB1HK-331Y	C CAPACITOR	330pF 50V K	
C430	QCBB1HK-331Y	C CAPACITOR	330pF 50V K	
C431	QCBB1HK-331Y	C CAPACITOR	330pF 50V K	
C432	QCBB1HK-331Y	C CAPACITOR	330pF 50V K	
C433	QCBB1HK-221Y	C CAPACITOR	220pF 50V K	
C434	QCBB1HK-221Y	C CAPACITOR	220pF 50V K	
C435	QCBB1HK-331Y	C CAPACITOR	330pF 50V K	
C436	QCBB1HK-331Y	C CAPACITOR	330pF 50V K	
C440	QCBB1HK-221Y	C CAPACITOR	220pF 50V K	
C441	QETN1EM-106Z	E CAPACITOR	10uF 25V M	
C442	QETN1EM-106Z	E CAPACITOR	10uF 25V M	
C443	QETN1EM-476Z	E CAPACITOR	47uF 25V M	
C444	QETN1EM-476Z	E CAPACITOR	47uF 25V M	
C445	QCBB1HK-223Y	C CAPACITOR	0.022uF 50V K	
C446	QCBB1HK-223Y	C CAPACITOR	0.022uF 50V K	

△ Symbol No.	Part No.	Part Name	Description	Local
C451	QCBB1HK-331Y	C CAPACITOR	330pF 50V K	
C452	QCBB1HK-331Y	C CAPACITOR	330pF 50V K	
C453	QCBB1HK-331Y	C CAPACITOR	330pF 50V K	
C454	QCBB1HK-331Y	C CAPACITOR	330pF 50V K	
C455	QCBB1HK-331Y	C CAPACITOR	330pF 50V K	
C456	QCBB1HK-331Y	C CAPACITOR	330pF 50V K	
C460	QCZ0202-155Z	C CAPACITOR	1.5uF 25V Z	
C461	QETN1HM-475Z	E CAPACITOR	4.7uF 50V M	
C462	QETN1HM-475Z	E CAPACITOR	4.7uF 50V M	
C463	QETN1HM-475Z	E CAPACITOR	4.7uF 50V M	
C464	QETN1HM-475Z	E CAPACITOR	4.7uF 50V M	
C481	QCBB1HK-223Y	C CAPACITOR	0.022uF 50V K	
C482	QCBB1HK-223Y	C CAPACITOR	0.022uF 50V K	
C551	QDX31EM-473Z	C CAPACITOR	0.047uF 25V M	
C552	QEK1HM-475Z	E CAPACITOR	4.7uF 50V M	
C555	QDX31EM-473Z	C CAPACITOR	0.047uF 25V M	
C556	QETN0JM-477Z	E CAPACITOR	470uF 6.3V M	
C557	QCS31HJ-470Z	C CAPACITOR	47pF 50V J	
C558	QCS31HJ-470Z	C CAPACITOR	47pF 50V J	
C559	QDX31EM-473Z	C CAPACITOR	0.047uF 25V M	
C560	QEK1HM-475Z	E CAPACITOR	4.7uF 50V M	
C561	QDX31EM-473Z	C CAPACITOR	0.047uF 25V M	
C562	QETN0JM-477Z	E CAPACITOR	470uF 6.3V M	
C563	QCS31HJ-470Z	C CAPACITOR	47pF 50V J	
C564	QCS31HJ-470Z	C CAPACITOR	47pF 50V J	
C581	QEK1CM-476Z	E CAPACITOR	47uF 16V M	
C582	QCZ0202-155Z	C CAPACITOR	1.5uF 25V Z	
C583	QEK1CM-476Z	E CAPACITOR	47uF 16V M	
C584	QCZ0202-155Z	C CAPACITOR	1.5uF 25V Z	
C1301	QFZ9076-104Z	MM CAPACITOR	0.1uF	
C1302	QCE22HP-103	C CAPACITOR	0.01uF 500V P	
C1303	QCE22HP-103	C CAPACITOR	0.01uF 500V P	
C1304	QEZ0341-688	E CAPACITER	6800uF	
C1305	QEZ0341-688	E CAPACITER	6800uF	
C1306	QETN1EM-476Z	E CAPACITOR	47uF 25V M	
C1308	QETN1HM-476Z	E CAPACITOR	47uF 50V M	
C1309	QEK1HM-106Z	E CAPACITOR	10uF 50V M	
C1310	QEK1CM-476Z	E CAPACITOR	47uF 16V M	
C1311	QEK1HM-226Z	E CAPACITOR	22uF 50V M	
C1351	QETN1HM-475Z	E CAPACITOR	4.7uF 50V M	
C1352	QEK1HM-475Z	E CAPACITOR	4.7uF 50V M	
C1353	QEK1HM-475Z	E CAPACITOR	4.7uF 50V M	
C1354	QEK1HM-475Z	E CAPACITOR	4.7uF 50V M	
C1359	QFLC1HJ-223Z	M CAPACITOR	0.022uF 50V J	
C1360	QFLC1HJ-223Z	M CAPACITOR	0.022uF 50V J	
C1361	QFLC1HJ-223Z	M CAPACITOR	0.022uF 50V J	
C1362	QCS31HJ-221Z	C CAPACITOR	220pF 50V J	
C1363	QFLC1HJ-223Z	M CAPACITOR	0.022uF 50V J	
C1364	QCS31HJ-221Z	C CAPACITOR	220pF 50V J	
C1365	QFLC1HJ-473Z	M CAPACITOR	0.047uF 50V J	
C1366	QCS31HJ-221Z	C CAPACITOR	220pF 50V J	
C1367	QCBB1HK-221Y	C CAPACITOR	220pF 50V K	
C1368	QFLC1HJ-102Z	M CAPACITOR	1000pF 50V J	
C1369	QFLC1HJ-223Z	M CAPACITOR	0.022uF 50V J	
C1370	QCS31HJ-221Z	C CAPACITOR	220pF 50V J	
C1371	QCBB1HK-221Y	C CAPACITOR	220pF 50V K	
C1372	QCS31HJ-221Z	C CAPACITOR	220pF 50V J	
C1373	QFLC1HJ-223Z	M CAPACITOR	0.022uF 50V J	
C1374	QCS31HJ-221Z	C CAPACITOR	220pF 50V J	
C1375	QCS31HJ-221Z	C CAPACITOR	220pF 50V J	
C1376	QCBB1HK-221Y	C CAPACITOR	220pF 50V K	
R421	QRE141J-471Y	C RESISTOR	470Ω 1/4W J	
R422	QRE141J-471Y	C RESISTOR	470Ω 1/4W J	
R423	QRE141J-471Y	C RESISTOR	470Ω 1/4W J	
R424	QRE141J-471Y	C RESISTOR	470Ω 1/4W J	
R425	QRE141J-471Y	C RESISTOR	470Ω 1/4W J	
R426	QRE141J-471Y	C RESISTOR	470Ω 1/4W J	
R429	QRE141J-471Y	C RESISTOR	470Ω 1/4W J	
R430	QRE141J-471Y	C RESISTOR	470Ω 1/4W J	
R431	QRE141J-471Y	C RESISTOR	470Ω 1/4W J	
R432	QRE141J-471Y	C RESISTOR	470Ω 1/4W J	
R435	QRE141J-471Y	C RESISTOR	470Ω 1/4W J	
R436	QRE141J-471Y	C RESISTOR	470Ω 1/4W J	
R440	QRE141J-102Y	C RESISTOR	1kΩ 1/4W J	
R441	QRE141J-104Y	C RESISTOR	100kΩ 1/4W J	

△ Symbol No.	Part No.	Part Name	Description	Local	△ Symbol No.	Part No.	Part Name	Description	Local
R442	QRE141J-104Y	C RESISTOR	100kΩ 1/4W J		L1351	QQLZ005-R45	COIL	0.45uH	
R443	QRE141J-104Y	C RESISTOR	100kΩ 1/4W J		L1352	QQLZ005-R45	COIL	0.45uH	
R444	QRE141J-104Y	C RESISTOR	100kΩ 1/4W J		L1353	QQLZ005-R45	COIL	0.45uH	
R445	QRE141J-104Y	C RESISTOR	100kΩ 1/4W J		L1354	QQLZ005-R45	COIL	0.45uH	
R446	QRE141J-104Y	C RESISTOR	100kΩ 1/4W J		L1355	QQLZ005-R45	COIL	0.45uH	
△ R449	QRJ146J-271X	UNF C RESISTOR	270Ω 1/4W J		CN311	QGB2510J1-14	CONNECTOR	B-B (1-14)	
△ R450	QRJ146J-271X	UNF C RESISTOR	270Ω 1/4W J		CN312	QGB2510J1-14	CONNECTOR	B-B (1-14)	
R451	QRE141J-471Y	C RESISTOR	470Ω 1/4W J		CN321	QGB2510J1-14	CONNECTOR	B-B (1-14)	
R452	QRE141J-471Y	C RESISTOR	470Ω 1/4W J		CN331	QGB2510J1-14	CONNECTOR	B-B (1-14)	
R453	QRE141J-471Y	C RESISTOR	470Ω 1/4W J		CN332	QGB2510J1-14	CONNECTOR	B-B (1-14)	
R454	QRE141J-471Y	C RESISTOR	470Ω 1/4W J		CN351	QJK012-032403	SKT WIRE ASSY		
R455	QRE141J-471Y	C RESISTOR	470Ω 1/4W J		CN371	QJP001-031201	SHI CR C-B WIRE		
R456	QRE141J-471Y	C RESISTOR	470Ω 1/4W J		CN372	QJP002-021201	SHI CR C-B WIRE		
△ R458	QRJ146J-271X	UNF C RESISTOR	270Ω 1/4W J		CN373	QJP001-031201	SHI CR C-B WIRE		
△ R459	QRJ146J-271X	UNF C RESISTOR	270Ω 1/4W J		CN401	QGB2510K1-14	CONNECTOR	B-B (1-14)	
R461	QRE141J-104Y	C RESISTOR	100kΩ 1/4W J		CN451	QGB2510K1-11	CONNECTOR	B-B (1-11)	
R462	QRE141J-104Y	C RESISTOR	100kΩ 1/4W J		CN511	QGD2503F1-03	CONNECTOR	(1-3)	
R463	QRE141J-104Y	C RESISTOR	100kΩ 1/4W J		CN551	QGB2510K1-08	CONNECTOR	B-B (1-8)	
R464	QRE141J-104Y	C RESISTOR	100kΩ 1/4W J		EP301	QNZ0136-001Z	EARTH PLATE		
R551	QRE141J-750Y	C RESISTOR	75Ω 1/4W J		FW301	QUM215-27Z4Z4	PARA RIBON WIRE		
R552	QRE141J-750Y	C RESISTOR	75Ω 1/4W J		FW302	QUM216-27Z4Z4	PARA RIBON WIRE		
R555	QRE141J-750Y	C RESISTOR	75Ω 1/4W J		FW303	QUM215-28DGZ4	PARA RIBON WIRE		
R556	QRE141J-750Y	C RESISTOR	75Ω 1/4W J		FW341	QUM215-20DGZ4	SOCKET		
R557	QRE141J-473Y	C RESISTOR	47kΩ 1/4W J		J402	QNN0168-001	PIN JACK		
R558	QRE141J-473Y	C RESISTOR	47kΩ 1/4W J		J403	QNN0168-001	PIN JACK		
R559	QRE141J-750Y	C RESISTOR	75Ω 1/4W J		J404	QNN0389-001	PIN JACK		
R560	QRE141J-750Y	C RESISTOR	75Ω 1/4W J		J405	QNN0388-001	PIN JACK		
R561	QRE141J-750Y	C RESISTOR	75Ω 1/4W J		J406	QNN0060-001	PIN JACK		
R562	QRE141J-750Y	C RESISTOR	75Ω 1/4W J		J551	QND0091-001	S JACK		
R563	QRE141J-473Y	C RESISTOR	47kΩ 1/4W J		J552	QND0091-001	S JACK		
R564	QRE141J-473Y	C RESISTOR	47kΩ 1/4W J		△ RY302	QSK0109-001	RELAY		
R565	QRE141J-561Y	C RESISTOR	560Ω 1/4W J		△ RY303	QSK0109-001	RELAY		
R566	QRE141J-241Y	C RESISTOR	240Ω 1/4W J		△ RY304	QSK0109-001	RELAY		
R571	QRE141J-561Y	C RESISTOR	560Ω 1/4W J		ST304	QNB0103-002	SPK TERMINAL		
R572	QRE141J-241Y	C RESISTOR	240Ω 1/4W J		ST305	QNB0001-002	SPK TERMINAL		
R573	QRE141J-751Y	C RESISTOR	750Ω 1/4W J						
R574	QRE141J-751Y	C RESISTOR	750Ω 1/4W J						
△ R581	QRJ146J-6R8X	UNF C RESISTOR	6.8Ω 1/4W J						
△ R1301	QRL027J-332	OMF RESISTOR	3.3kΩ 2W J						
△ R1302	QRZ9005-100X	FUSI RESISTOR	10Ω						
△ R1303	QRJ146J-332X	UNF C RESISTOR	3.3kΩ 1/4W J						
R1304	QRE141J-104Y	C RESISTOR	100kΩ 1/4W J						
R1305	QRE141J-104Y	C RESISTOR	100kΩ 1/4W J						
R1306	QRE141J-823Y	C RESISTOR	82kΩ 1/4W J						
R1307	QRE141J-104Y	C RESISTOR	100kΩ 1/4W J						
R1308	QRE141J-104Y	C RESISTOR	100kΩ 1/4W J						
R1309	QRE141J-103Y	C RESISTOR	10kΩ 1/4W J						
R1310	QRE141J-103Y	C RESISTOR	10kΩ 1/4W J						
R1311	QRE141J-104Y	C RESISTOR	100kΩ 1/4W J						
R1312	QRE141J-104Y	C RESISTOR	100kΩ 1/4W J						
△ R1313	QRZ9005-100X	FUSI RESISTOR	10Ω						
△ R1314	QRJ146J-103X	UNF C RESISTOR	10kΩ 1/4W J						
△ R1315	QRJ146J-2R2X	UNF C RESISTOR	2.2Ω 1/4W J						
△ R1316	QRJ146J-102X	UNF C RESISTOR	1kΩ 1/4W J						
△ R1317	QRJ146J-223X	UNF C RESISTOR	22kΩ 1/4W J						
R1318	QRE141J-223Y	C RESISTOR	22kΩ 1/4W J						
R1319	QRE141J-473Y	C RESISTOR	47kΩ 1/4W J						
△ R1352	QRJ146J-680X	UNF C RESISTOR	68Ω 1/4W J						
△ R1353	QRJ146J-680X	UNF C RESISTOR	68Ω 1/4W J						
△ R1354	QRJ146J-680X	UNF C RESISTOR	68Ω 1/4W J						
△ R1355	QRJ146J-392X	UNF C RESISTOR	3.9kΩ 1/4W J						
R1356	QRE141J-472Y	C RESISTOR	4.7kΩ 1/4W J						
R1357	QRE141J-223Y	C RESISTOR	22kΩ 1/4W J						
R1358	QRE141J-682Y	C RESISTOR	6.8kΩ 1/4W J						
R1359	QRE141J-472Y	C RESISTOR	4.7kΩ 1/4W J						
R1360	QRE141J-472Y	C RESISTOR	4.7kΩ 1/4W J						
R1361	QRE141J-472Y	C RESISTOR	4.7kΩ 1/4W J						
R1362	QRE141J-472Y	C RESISTOR	4.7kΩ 1/4W J						
R1363	QRE141J-472Y	C RESISTOR	4.7kΩ 1/4W J						
R1364	QRE141J-223Y	C RESISTOR	22kΩ 1/4W J						
R1365	QRE141J-682Y	C RESISTOR	6.8kΩ 1/4W J						
R1366	QRE141J-223Y	C RESISTOR	22kΩ 1/4W J						
R1367	QRE141J-682Y	C RESISTOR	6.8kΩ 1/4W J						
△ R1370	QRJ146J-2R7X	UNF C RESISTOR	2.7Ω 1/4W J						
△ R1371	QRJ146J-2R7X	UNF C RESISTOR	2.7Ω 1/4W J						
△ R1372	QRJ146J-2R7X	UNF C RESISTOR	2.7Ω 1/4W J						
△ R1373	QRJ146J-2R7X	UNF C RESISTOR	2.7Ω 1/4W J						
△ R1374	QRJ146J-2R7X	UNF C RESISTOR	2.7Ω 1/4W J						

Front board

Block No. [0][2]

△ Symbol No.	Part No.	Part Name	Description	Local
IC421	NJM4565M-WE	IC		
IC422	NJM4565M-WE	IC		
IC423	TC9162AF-X	IC		
IC427	NJM4565M-WE	IC		
IC428	BD3814FV-X	IC		
IC581	MM1504XN-X	IC		
IC582	MM1506XN-X	IC		
IC583	MM1506XN-X	IC		
IC701	MN101C35DMW	IC(1-TIME)		
IC702	IC-PST9139-T	IC		
IC703	GP1UM281XKVF	IR DETECT UNIT		
Q701	UN2214-X	TRANSISTOR		
Q702	UN2215-X	TRANSISTOR		
Q703	KRC109S-X	TRANSISTOR		
Q704	UN2214-X	TRANSISTOR		
Q707	UN2214-X	TRANSISTOR		
Q708	UN2214-X	TRANSISTOR		
Q709	UN2214-X	TRANSISTOR		
Q711	UN2113-X	DIGI TRANSISTOR		
△ Q1401	KTA1046/Y/	TRANSISTOR		
△ Q1402	KTC2026/Y/	TRANSISTOR		
△ Q1403	KTC2026/Y/	TRANSISTOR		
△ Q1404	KTC2026/Y/	TRANSISTOR		
△ Q1405	KTC2026/Y/	TRANSISTOR		
△ Q1406	KTC3203/OY/-T	TRANSISTOR		
△ Q1407	KTC3203/OY/-T	TRANSISTOR		
△ Q1408	KTA1271/OY/-T	TRANSISTOR		
Q1409	2SK301/PQ/-T	TRANSISTOR		
Q1410	2SK301/PQ/-T	TRANSISTOR		
Q1411	2SK301/PQ/-T	TRANSISTOR		

△ Symbol No.	Part No.	Part Name	Description	Local	△ Symbol No.	Part No.	Part Name	Description	Local
Q1412	2SK301/PQ/-T	TRANSISTOR			C1412	QETN1HM-475Z	E CAPACITOR	4.7uF 50V M	
Q1413	2SC3576-JVC-T	TRANSISTOR			C1413	QETN1HM-475Z	E CAPACITOR	4.7uF 50V M	
Q1414	2SC3576-JVC-T	TRANSISTOR			C1414	NDC31HJ-101X	C CAPACITOR	100pF 50V J	
Q1415	KRA104M-T	DIGI TRANSISTOR			C1415	NDC31HJ-101X	C CAPACITOR	100pF 50V J	
Q1416	KRC104M-T	TRANSISTOR			C1416	QETN1HM-474Z	E CAPACITOR	0.47uF 50V M	
Q1417	2SC3576-JVC-T	TRANSISTOR			C1417	QETN1HM-474Z	E CAPACITOR	0.47uF 50V M	
Q1418	2SC3576-JVC-T	TRANSISTOR			C1418	QFLC1HJ-223Z	M CAPACITOR	0.022uF 50V J	
Q1419	2SC3576-JVC-T	TRANSISTOR			C1419	QFLC1HJ-223Z	M CAPACITOR	0.022uF 50V J	
Q1420	KRA104M-T	DIGI TRANSISTOR			C1422	QETN1HM-475Z	E CAPACITOR	4.7uF 50V M	
Q1421	2SC3576-JVC-T	TRANSISTOR			C1423	QEK1HM-475Z	E CAPACITOR	4.7uF 50V M	
Q1422	2SC3576-JVC-T	TRANSISTOR			C1424	QEK1HM-475Z	E CAPACITOR	4.7uF 50V M	
Q1423	KRA104M-T	DIGI TRANSISTOR			C1425	QEK1CM-106Z	E CAPACITOR	10uF 16V M	
Q1424	KRA104M-T	DIGI TRANSISTOR			C1432	NCB31CK-223X	C CAPACITOR	0.022uF 16V K	
Q1425	2SC3576-JVC-T	TRANSISTOR			C1433	QETN1CM-106Z	E CAPACITOR	10uF 16V M	
Q1426	2SC3576-JVC-T	TRANSISTOR			C1436	NCB31CK-223X	C CAPACITOR	0.022uF 16V K	
Q1427	2SC3576-JVC-T	TRANSISTOR			C1437	QCZ0202-155Z	C CAPACITOR	1.5uF 25V Z	
Q1428	2SC3576-JVC-T	TRANSISTOR			C1439	QFLC1HJ-562Z	M CAPACITOR	5600pF 50V J	
Q1429	KRA104M-T	DIGI TRANSISTOR			C1440	QFLC1HJ-562Z	M CAPACITOR	5600pF 50V J	
△ Q1434	KTC2026/Y/	TRANSISTOR			C1443	QCZ0202-155Z	C CAPACITOR	1.5uF 25V Z	
△ Q1435	KTC2026/Y/	TRANSISTOR			C1444	NCB31CK-223X	C CAPACITOR	0.022uF 16V K	
Q1501	KTA1504/YG/-X	SI TRANSISTOR			C1445	NCB31CK-223X	C CAPACITOR	0.022uF 16V K	
					C1446	NCB31HK-221X	C CAPACITOR	220pF 50V K	
D701	1SS355-X	SI DIODE			C1447	QEK1HM-475Z	E CAPACITOR	4.7uF 50V M	
D702	1SS355-X	SI DIODE			C1453	QETN1HM-475Z	E CAPACITOR	4.7uF 50V M	
D703	SB007-03CP-X	SB DIODE			C1459	QETN1HM-475Z	E CAPACITOR	4.7uF 50V M	
D719	SLR-343VC/NPQ-T	LED			C1460	NCB31CK-223X	C CAPACITOR	0.022uF 16V K	
D1401	MTZJ13C-T2	Z DIODE			C1461	NCB31CK-223X	C CAPACITOR	0.022uF 16V K	
D1402	MTZJ6.2C-T2	Z DIODE			C1463	QETN1HM-475Z	E CAPACITOR	4.7uF 50V M	
D1403	MTZJ5.6B-T2	Z DIODE			C1464	QETN1HM-475Z	E CAPACITOR	4.7uF 50V M	
D1404	MTZJ5.6C-T2	Z DIODE			C1465	QENC1HM-106Z	BP E CAPACITOR	10uF 50V M	
D1405	MTZJ13C-T2	Z DIODE			C1480	QETN1VM-477Z	E CAPACITOR	470uF 35V M	
D1406	MTZJ10C-T2	Z DIODE			C1501	QEK1AM-107Z	E CAPACITOR	100uF 10V M	
D1407	MTZJ7.5C-T2	Z DIODE			C1502	NCB31HK-103X	C CAPACITOR	0.01uF 50V K	
D1408	MTZJ7.5C-T2	Z DIODE			C1503	NCB31HK-103X	C CAPACITOR	0.01uF 50V K	
D1409	MA152WK-X	SI DIODE			C1504	NCB31HK-103X	C CAPACITOR	0.01uF 50V K	
D1412	1SS355-X	SI DIODE			C1505	QEK1AM-476Z	E CAPACITOR	47uF 10V M	
D1413	1SS355-X	SI DIODE			C1506	NDC31HJ-470X	C CAPACITOR	47pF 50V J	
D1414	1SS355-X	SI DIODE			C1507	QEK1HM-475Z	E CAPACITOR	4.7uF 50V M	
D1415	1SS355-X	SI DIODE			C1508	NDC31HJ-470X	C CAPACITOR	47pF 50V J	
C101	QCB1HK-331Y	C CAPACITOR	330pF 50V K		C1509	QEK1HM-475Z	E CAPACITOR	4.7uF 50V M	
C102	QCB1HK-331Y	C CAPACITOR	330pF 50V K		C1510	NDC31HJ-470X	C CAPACITOR	47pF 50V J	
C701	QEKCOJM-107Z	E CAPACITOR	100uF 6.3V M		C1511	QEK1AM-476Z	E CAPACITOR	47uF 10V M	
C702	QCZ0202-155Z	C CAPACITOR	1.5uF 25V Z		C1512	NDC31HJ-470X	C CAPACITOR	47pF 50V J	
C703	QEK1HM-225Z	E CAPACITOR	2.2uF 50V M		C1513	QEK1HM-475Z	E CAPACITOR	4.7uF 50V M	
C704	NCB31CK-223X	C CAPACITOR	0.022uF 16V K		C1514	NDC31HJ-470X	C CAPACITOR	47pF 50V J	
C705	QEKCOJM-107Z	E CAPACITOR	100uF 6.3V M		C1515	QEK1HM-475Z	E CAPACITOR	4.7uF 50V M	
C706	NCB21HK-331X	C CAPACITOR	330pF 50V K		C1516	NDC31HJ-470X	C CAPACITOR	47pF 50V J	
C707	QEK1HM-475Z	E CAPACITOR	4.7uF 50V M		C1517	QETN0JM-477Z	E CAPACITOR	470uF 6.3V M	
C708	QEK1HM-475Z	E CAPACITOR	4.7uF 50V M		C1518	NDC31HJ-101X	C CAPACITOR	100pF 50V J	
C709	QEK1HM-475Z	E CAPACITOR	4.7uF 50V M		C1519	QETN1AM-107Z	E CAPACITOR	100uF 10V M	
C710	NCB21HK-104X	C CAPACITOR	0.1uF 50V K		C1520	NDC31HJ-101X	C CAPACITOR	100pF 50V J	
C713	NCB21HK-103X	C CAPACITOR	0.01uF 50V K		C1521	QETN1AM-107Z	E CAPACITOR	100uF 10V M	
C714	NCB21HK-103X	C CAPACITOR	0.01uF 50V K		C1522	NDC31HJ-101X	C CAPACITOR	100pF 50V J	
C715	NCB21HK-103X	C CAPACITOR	0.01uF 50V K		C1530	QCZ0202-155Z	C CAPACITOR	1.5uF 25V Z	
C716	NCB21HK-103X	C CAPACITOR	0.01uF 50V K		C1531	NDC31HJ-100X	C CAPACITOR	10pF 50V J	
C717	NCB21HK-103X	C CAPACITOR	0.01uF 50V K		△ R101	QRL027J-471	OMF RESISTOR	470Ω 2W J	
C718	NCB21HK-103X	C CAPACITOR	0.01uF 50V K		△ R102	QRL027J-471	OMF RESISTOR	470Ω 2W J	
C719	NCB21HK-103X	C CAPACITOR	0.01uF 50V K		R475	NRSA63J-163X	MG RESISTOR	16kΩ 1/16W J	
C720	NCB31CK-104X	C CAPACITOR	0.1uF 16V K		R476	NRSA63J-103X	MG RESISTOR	10kΩ 1/16W J	
C721	NCB31CK-104X	C CAPACITOR	0.1uF 16V K		△ R477	QRZ9006-4R7X	F.RESISTOR	4.7Ω 1/4W J	
C722	QCZ0202-155Z	C CAPACITOR	1.5uF 25V Z		△ R478	QRJ146J-2R2X	UNF C RESISTOR	2.2Ω 1/4W J	
C723	NCB31CK-104X	C CAPACITOR	0.1uF 16V K		△ R479	QRJ146J-2R2X	UNF C RESISTOR	2.2Ω 1/4W J	
C724	NCB31CK-104X	C CAPACITOR	0.1uF 16V K		R481	NRSA63J-104X	MG RESISTOR	100kΩ 1/16W J	
C725	QEK1HM-475Z	E CAPACITOR	4.7uF 50V M		R482	NRSA63J-104X	MG RESISTOR	100kΩ 1/16W J	
C730	NCB31CK-104X	C CAPACITOR	0.1uF 16V K		R483	NRSA63J-562X	MG RESISTOR	5.6kΩ 1/16W J	
C731	NCB21HK-104X	C CAPACITOR	0.1uF 50V K		R484	NRSA63J-473X	MG RESISTOR	47kΩ 1/16W J	
C1401	QETN1HM-476Z	E CAPACITOR	47uF 50V M		R485	NRSA63J-202X	MG RESISTOR	2kΩ 1/16W J	
C1402	QETN1EM-107Z	E CAPACITOR	100uF 25V M		R486	NRSA63J-473X	MG RESISTOR	47kΩ 1/16W J	
C1403	QETN1EM-107Z	E CAPACITOR	100uF 25V M		R487	NRSA63J-202X	MG RESISTOR	2kΩ 1/16W J	
C1404	QETN1EM-107Z	E CAPACITOR	100uF 25V M		R488	NRSA63J-473X	MG RESISTOR	47kΩ 1/16W J	
C1405	QETN1EM-107Z	E CAPACITOR	100uF 25V M		R489	NRSA63J-101X	MG RESISTOR	100Ω 1/16W J	
C1406	QETN1EM-107Z	E CAPACITOR	100uF 25V M		R490	NRSA63J-101X	MG RESISTOR	100Ω 1/16W J	
C1407	QCF31HZ-223Z	C CAPACITOR	0.022uF 50V Z		R492	NRSA63J-132X	MG RESISTOR	1.3kΩ 1/16W J	
C1408	QETN1EM-476Z	E CAPACITOR	47uF 25V M		R493	NRSA63J-102X	MG RESISTOR	1kΩ 1/16W J	
C1409	QETN1EM-476Z	E CAPACITOR	47uF 25V M		R494	NRSA63J-0R0X	MG RESISTOR	0Ω 1/16W J	
C1410	NCB31CK-223X	C CAPACITOR	0.022uF 16V K		R495	NRSA63J-0R0X	MG RESISTOR	0Ω 1/16W J	
C1411	NCB31CK-223X	C CAPACITOR	0.022uF 16V K		R496	NRSA63J-332X	MG RESISTOR	3.3kΩ 1/16W J	

△ Symbol No.	Part No.	Part Name	Description	Local	△ Symbol No.	Part No.	Part Name	Description	Local
R497	NRSA63J-162X	MG RESISTOR	1.6kΩ 1/16W J		R791	NRSA63J-221X	MG RESISTOR	220Ω 1/16W J	
R701	NRSA63J-472X	MG RESISTOR	4.7kΩ 1/16W J		R792	NRSA63J-221X	MG RESISTOR	220Ω 1/16W J	
R702	NRSA63J-223X	MG RESISTOR	22kΩ 1/16W J		R794	NRSA63J-221X	MG RESISTOR	220Ω 1/16W J	
R704	NRSA63J-471X	MG RESISTOR	470Ω 1/16W J		R795	NRSA63J-221X	MG RESISTOR	220Ω 1/16W J	
R705	NRSA63J-103X	MG RESISTOR	10kΩ 1/16W J		R796	NRSA63J-221X	MG RESISTOR	220Ω 1/16W J	
R706	NRSA63J-103X	MG RESISTOR	10kΩ 1/16W J		R797	NRSA63J-221X	MG RESISTOR	220Ω 1/16W J	
R707	NRSA63J-103X	MG RESISTOR	10kΩ 1/16W J		R798	NRSA63J-221X	MG RESISTOR	220Ω 1/16W J	
R708	NRSA63J-103X	MG RESISTOR	10kΩ 1/16W J		R799	NRSA63J-221X	MG RESISTOR	220Ω 1/16W J	
R709	NRSA63J-103X	MG RESISTOR	10kΩ 1/16W J		R871	NRSA63J-103X	MG RESISTOR	10kΩ 1/16W J	
R710	NRSA63J-103X	MG RESISTOR	10kΩ 1/16W J		R872	NRSA63J-103X	MG RESISTOR	10kΩ 1/16W J	
R711	NRSA63J-104X	MG RESISTOR	100kΩ 1/16W J		R874	NRSA63J-103X	MG RESISTOR	10kΩ 1/16W J	
R712	NRSA63J-103X	MG RESISTOR	10kΩ 1/16W J		R875	NRSA63J-103X	MG RESISTOR	10kΩ 1/16W J	
R713	NRSA63J-103X	MG RESISTOR	10kΩ 1/16W J		R876	NRSA63J-103X	MG RESISTOR	10kΩ 1/16W J	
R715	NRSA63J-103X	MG RESISTOR	10kΩ 1/16W J		R877	NRSA63J-103X	MG RESISTOR	10kΩ 1/16W J	
R716	NRSA63J-103X	MG RESISTOR	10kΩ 1/16W J		R878	NRSA63J-103X	MG RESISTOR	10kΩ 1/16W J	
R717	NRSA63J-103X	MG RESISTOR	10kΩ 1/16W J		R879	NRSA63J-221X	MG RESISTOR	220Ω 1/16W J	
R718	NRSA63J-103X	MG RESISTOR	10kΩ 1/16W J		R880	NRSA63J-221X	MG RESISTOR	220Ω 1/16W J	
R719	NRSA63J-221X	MG RESISTOR	220Ω 1/16W J		R881	NRSA63J-221X	MG RESISTOR	220Ω 1/16W J	
R720	NRSA63J-222X	MG RESISTOR	2.2kΩ 1/16W J		R882	NRSA63J-221X	MG RESISTOR	220Ω 1/16W J	
R721	NRSA63J-103X	MG RESISTOR	10kΩ 1/16W J		R883	NRSA63J-221X	MG RESISTOR	220Ω 1/16W J	
R722	NRSA63J-102X	MG RESISTOR	1kΩ 1/16W J		R884	NRSA63J-221X	MG RESISTOR	220Ω 1/16W J	
R723	NRSA63J-102X	MG RESISTOR	1kΩ 1/16W J		△ R1401	QRZ9005-100X	FUSI RESISTOR	10Ω	
R724	NRSA63J-122X	MG RESISTOR	1.2kΩ 1/16W J		△ R1402	QRJ146J-182X	UNF C RESISTOR	1.8kΩ 1/4W J	
R725	NRSA63J-152X	MG RESISTOR	1.5kΩ 1/16W J		△ R1403	QRZ9005-120X	FUSI RESISTOR	12Ω	
R726	NRSA63J-222X	MG RESISTOR	2.2kΩ 1/16W J		△ R1404	QRJ146J-272X	UNF C RESISTOR	2.7kΩ 1/4W J	
R727	NRSA63J-272X	MG RESISTOR	2.7kΩ 1/16W J		△ R1405	QRZ9005-120X	FUSI RESISTOR	12Ω	
R728	NRSA63J-103X	MG RESISTOR	10kΩ 1/16W J		△ R1406	QRK126J-682X	UNF C RESISTOR	6.8kΩ 1/2W J	
R729	NRSA63J-102X	MG RESISTOR	1kΩ 1/16W J		△ R1407	QRZ9006-4R7X	F.RESISTOR	4.7Ω 1/4W J	
R730	NRSA63J-102X	MG RESISTOR	1kΩ 1/16W J		△ R1408	QRZ9006-4R7X	F.RESISTOR	4.7Ω 1/4W J	
R731	NRSA63J-122X	MG RESISTOR	1.2kΩ 1/16W J		△ R1409	QRJ146J-272X	UNF C RESISTOR	2.7kΩ 1/4W J	
R732	NRSA63J-152X	MG RESISTOR	1.5kΩ 1/16W J		△ R1410	QRZ9006-4R7X	F.RESISTOR	4.7Ω 1/4W J	
R733	NRSA63J-222X	MG RESISTOR	2.2kΩ 1/16W J		△ R1411	QRJ146J-182X	UNF C RESISTOR	1.8kΩ 1/4W J	
R734	NRSA63J-272X	MG RESISTOR	2.7kΩ 1/16W J		△ R1412	QRZ9005-100X	FUSI RESISTOR	10Ω	
R736	NRSA63J-103X	MG RESISTOR	10kΩ 1/16W J		△ R1413	QRJ146J-102X	UNF C RESISTOR	1kΩ 1/4W J	
R737	NRSA63J-102X	MG RESISTOR	1kΩ 1/16W J		△ R1414	QRZ9005-100X	FUSI RESISTOR	10Ω	
R738	NRSA63J-102X	MG RESISTOR	1kΩ 1/16W J		△ R1415	QRJ146J-222X	UNF C RESISTOR	2.2kΩ 1/4W J	
R739	NRSA63J-122X	MG RESISTOR	1.2kΩ 1/16W J		△ R1416	QRZ9005-100X	FUSI RESISTOR	10Ω	
R740	NRSA63J-152X	MG RESISTOR	1.5kΩ 1/16W J		△ R1417	QRJ146J-222X	UNF C RESISTOR	2.2kΩ 1/4W J	
R741	NRSA63J-222X	MG RESISTOR	2.2kΩ 1/16W J		△ R1418	QRZ9005-680X	F RESISTOR	68Ω	
R742	NRSA63J-272X	MG RESISTOR	2.7kΩ 1/16W J		△ R1419	QRZ9005-680X	F RESISTOR	68Ω	
R743	NRSA63J-103X	MG RESISTOR	10kΩ 1/16W J		R1420	NRSA63J-103X	MG RESISTOR	10kΩ 1/16W J	
R744	NRSA63J-102X	MG RESISTOR	1kΩ 1/16W J		R1421	NRSA63J-272X	MG RESISTOR	2.7kΩ 1/16W J	
R745	NRSA63J-102X	MG RESISTOR	1kΩ 1/16W J		R1422	NRSA63J-103X	MG RESISTOR	10kΩ 1/16W J	
R746	NRSA63J-122X	MG RESISTOR	1.2kΩ 1/16W J		R1423	NRSA63J-272X	MG RESISTOR	2.7kΩ 1/16W J	
R747	NRSA63J-152X	MG RESISTOR	1.5kΩ 1/16W J		R1424	NRSA63J-472X	MG RESISTOR	4.7kΩ 1/16W J	
R748	NRSA63J-222X	MG RESISTOR	2.2kΩ 1/16W J		R1425	NRSA63J-472X	MG RESISTOR	4.7kΩ 1/16W J	
R749	NRSA63J-272X	MG RESISTOR	2.7kΩ 1/16W J		R1426	NRSA63J-513X	MG RESISTOR	51kΩ 1/16W J	
R750	NRSA63J-103X	MG RESISTOR	10kΩ 1/16W J		R1427	NRSA63J-513X	MG RESISTOR	51kΩ 1/16W J	
R751	NRSA63J-102X	MG RESISTOR	1kΩ 1/16W J		R1428	NRSA63J-103X	MG RESISTOR	10kΩ 1/16W J	
R752	NRSA63J-102X	MG RESISTOR	1kΩ 1/16W J		R1429	NRSA63J-103X	MG RESISTOR	10kΩ 1/16W J	
R753	NRSA63J-122X	MG RESISTOR	1.2kΩ 1/16W J		R1430	NRSA63J-103X	MG RESISTOR	10kΩ 1/16W J	
R754	NRSA63J-152X	MG RESISTOR	1.5kΩ 1/16W J		R1431	NRSA63J-203X	MG RESISTOR	20kΩ 1/16W J	
R757	NRSA63J-103X	MG RESISTOR	10kΩ 1/16W J		R1432	NRSA63J-103X	MG RESISTOR	10kΩ 1/16W J	
R758	NRSA63J-103X	MG RESISTOR	10kΩ 1/16W J		R1433	NRSA63J-103X	MG RESISTOR	10kΩ 1/16W J	
R759	NRSA63J-103X	MG RESISTOR	10kΩ 1/16W J		R1434	NRSA63J-103X	MG RESISTOR	10kΩ 1/16W J	
R760	NRSA63J-103X	MG RESISTOR	10kΩ 1/16W J		R1435	NRSA63J-154X	MG RESISTOR	150kΩ 1/16W J	
R761	NRSA63J-103X	MG RESISTOR	10kΩ 1/16W J		R1436	NRSA63J-154X	MG RESISTOR	150kΩ 1/16W J	
R762	NRSA63J-102X	MG RESISTOR	1kΩ 1/16W J		R1437	NRSA63J-102X	MG RESISTOR	1kΩ 1/16W J	
R763	NRSA63J-102X	MG RESISTOR	1kΩ 1/16W J		R1438	NRSA63J-102X	MG RESISTOR	1kΩ 1/16W J	
R764	NRSA63J-122X	MG RESISTOR	1.2kΩ 1/16W J		R1439	NRSA63J-103X	MG RESISTOR	10kΩ 1/16W J	
R765	NRSA63J-152X	MG RESISTOR	1.5kΩ 1/16W J		R1440	NRSA63J-103X	MG RESISTOR	10kΩ 1/16W J	
R768	NRSA63J-103X	MG RESISTOR	10kΩ 1/16W J		R1442	NRSA63J-104X	MG RESISTOR	100kΩ 1/16W J	
R769	NRSA63J-102X	MG RESISTOR	1kΩ 1/16W J		R1443	NRSA63J-203X	MG RESISTOR	20kΩ 1/16W J	
R770	NRSA63J-102X	MG RESISTOR	1kΩ 1/16W J		R1444	NRSA63J-103X	MG RESISTOR	10kΩ 1/16W J	
R771	NRSA63J-122X	MG RESISTOR	1.2kΩ 1/16W J		R1445	NRSA63J-102X	MG RESISTOR	1kΩ 1/16W J	
R772	NRSA63J-222X	MG RESISTOR	2.2kΩ 1/16W J		R1446	NRSA63J-104X	MG RESISTOR	100kΩ 1/16W J	
R773	NRSA63J-272X	MG RESISTOR	2.7kΩ 1/16W J		R1447	NRSA63J-102X	MG RESISTOR	1kΩ 1/16W J	
R775	NRSA63J-103X	MG RESISTOR	10kΩ 1/16W J		R1448	NRSA63J-103X	MG RESISTOR	10kΩ 1/16W J	
R776	NRSA63J-152X	MG RESISTOR	1.5kΩ 1/16W J		R1449	NRSA63J-102X	MG RESISTOR	1kΩ 1/16W J	
R778	NRSA63J-392X	MG RESISTOR	3.9kΩ 1/16W J		R1450	NRSA63J-103X	MG RESISTOR	10kΩ 1/16W J	
R779	NRSA63J-103X	MG RESISTOR	10kΩ 1/16W J		R1451	NRSA63J-104X	MG RESISTOR	100kΩ 1/16W J	
R783	NRSA63J-221X	MG RESISTOR	220Ω 1/16W J		R1452	NRSA63J-104X	MG RESISTOR	100kΩ 1/16W J	
R784	NRSA63J-221X	MG RESISTOR	220Ω 1/16W J		R1453	NRSA63J-102X	MG RESISTOR	1kΩ 1/16W J	
R785	NRSA63J-221X	MG RESISTOR	220Ω 1/16W J		R1457	NRSA63J-682X	MG RESISTOR	6.8kΩ 1/16W J	
R786	NRSA63J-221X	MG RESISTOR	220Ω 1/16W J		R1458	NRSA63J-682X	MG RESISTOR	6.8kΩ 1/16W J	
R787	NRSA63J-221X	MG RESISTOR	220Ω 1/16W J		△ R1459	QRZ9005-680X	F RESISTOR	68Ω	
R788	NRSA63J-221X	MG RESISTOR	220Ω 1/16W J		△ R1460	QRZ9005-680X	F RESISTOR	68Ω	
R790	NRSA63J-221X	MG RESISTOR	220Ω 1/16W J		△ R1461	QRJ146J-2R2X	UNF C RESISTOR	2.2Ω 1/4W J	

Symbol No.	Part No.	Part Name	Description	Local
△ R1462	QRJ146J-2R2X	UNF C RESISTOR	2.2Ω 1/4W J	
R1464	NRSA63J-104X	MG RESISTOR	100kΩ 1/16W J	
R1465	NRSA63J-102X	MG RESISTOR	1kΩ 1/16W J	
R1466	NRSA63J-104X	MG RESISTOR	100kΩ 1/16W J	
R1467	NRSA63J-104X	MG RESISTOR	100kΩ 1/16W J	
R1470	NRSA63J-201X	MG RESISTOR	200Ω 1/16W J	
R1471	NRSA63J-201X	MG RESISTOR	200Ω 1/16W J	
R1472	NRSA63J-103X	MG RESISTOR	10kΩ 1/16W J	
R1473	NRSA63J-103X	MG RESISTOR	10kΩ 1/16W J	
R1474	NRSA63J-102X	MG RESISTOR	1kΩ 1/16W J	
R1480	NRSA63J-104X	MG RESISTOR	100kΩ 1/16W J	
R1485	NRSA63J-102X	MG RESISTOR	1kΩ 1/16W J	
R1486	NRSA63J-102X	MG RESISTOR	1kΩ 1/16W J	
R1487	NRSA63J-103X	MG RESISTOR	10kΩ 1/16W J	
R1488	NRSA63J-103X	MG RESISTOR	10kΩ 1/16W J	
R1490	NRSA63J-133X	MG RESISTOR	13kΩ 1/16W J	
R1492	NRSA63J-102X	MG RESISTOR	1kΩ 1/16W J	
R1493	NRSA63J-102X	MG RESISTOR	1kΩ 1/16W J	
R1494	NRSA63J-102X	MG RESISTOR	1kΩ 1/16W J	
R1495	NRSA63J-103X	MG RESISTOR	10kΩ 1/16W J	
R1496	NRSA63J-103X	MG RESISTOR	10kΩ 1/16W J	
R1498	NRSA63J-511X	MG RESISTOR	510Ω 1/16W J	
R1499	NRSA63J-511X	MG RESISTOR	510Ω 1/16W J	
R1500	NRSA63J-474X	MG RESISTOR	470kΩ 1/16W J	
R1501	NRSA63J-750X	MG RESISTOR	75Ω 1/16W J	
R1502	NRSA63J-750X	MG RESISTOR	75Ω 1/16W J	
R1503	NRSA63J-750X	MG RESISTOR	75Ω 1/16W J	
R1504	NRSA63J-750X	MG RESISTOR	75Ω 1/16W J	
R1505	NRSA63J-750X	MG RESISTOR	75Ω 1/16W J	
R1506	NRSA63J-750X	MG RESISTOR	75Ω 1/16W J	
R1507	NRSA63J-750X	MG RESISTOR	75Ω 1/16W J	
R1509	NRSA63J-750X	MG RESISTOR	75Ω 1/16W J	
R1511	NRSA63J-750X	MG RESISTOR	75Ω 1/16W J	
R1512	NRSA63J-101X	MG RESISTOR	100Ω 1/16W J	
R1515	NRSA63J-470X	MG RESISTOR	47Ω 1/16W J	
R1571	NRSA63J-0R0X	MG RESISTOR	0Ω 1/16W J	
R1572	NRSA63J-0R0X	MG RESISTOR	0Ω 1/16W J	
R1573	NRSA63J-102X	MG RESISTOR	1kΩ 1/16W J	
R1574	NRSA63J-102X	MG RESISTOR	1kΩ 1/16W J	
R1575	NRSA63J-0R0X	MG RESISTOR	0Ω 1/16W J	
R1576	NRSA63J-0R0X	MG RESISTOR	0Ω 1/16W J	
R1579	NRSA63J-301X	MG RESISTOR	300Ω 1/16W J	
R1580	NRSA63J-0R0X	MG RESISTOR	0Ω 1/16W J	
R1581	NRSA63J-332X	MG RESISTOR	3.3kΩ 1/16W J	
R1582	NRSA63J-162X	MG RESISTOR	1.6kΩ 1/16W J	
R1583	NRSA63J-561X	MG RESISTOR	560Ω 1/16W J	
R1584	NRSA63J-561X	MG RESISTOR	560Ω 1/16W J	
CN101	QGD2504C1-03Z	CONNECTOR	(1-3)	
CN402	QGF1205C1-27	CONNECTOR	FFC/FPC (1-27)	
CN411	QGF1205C1-11	CONNECTOR	FFC/FPC (1-11)	
CN421	QGB2510J1-14	CONNECTOR	B-B (1-14)	
CN431	QGB2510J1-11	CONNECTOR	B-B (1-11)	
CN441	QGB2510J1-07	CONNECTOR	B-B (1-7)	
CN461	QGB2510J1-08	CONNECTOR	B-B (1-8)	
CN471	QGA2501C1-03	CONNECTOR	W-B (1-3)	
CN472	QGA2501C1-02	CONNECTOR	W-B (1-2)	
CN473	QGA2501C1-03	CONNECTOR	W-B (1-3)	
CN481	QGB2510J1-14	CONNECTOR	B-B (1-14)	
CN482	QGB2510J1-07	CONNECTOR	B-B (1-7)	
CN491	QGB2510J1-04	CONNECTOR	B-B (1-4)	
CN701	QGF1205F1-14	CONNECTOR	FFC/FPC (1-14)	
CN702	QGF1205F1-27	CONNECTOR	FFC/FPC (1-27)	
CN704	WJS0020-002A	SKT.WIRE ASSY		
CN714	QGA2001F1-03	CONNECTOR	W-B (1-3)	
DI701	QLF0132-001	FL TUBE		
EP401	QNZ0136-001Z	EARTH PLATE		
FL401	QQR1372-001	LPF		
FL402	QQR1372-001	LPF		
FW501	QUM213-10DGZ4	PARA RIBON WIRE		
J101	QNS0022-001	JACK		
J1501	QNN0391-001	PIN JACK		
JS701	QSW1017-002	JOG VOLUME		
JS702	QSW1051-001	ROTARY ENCODER		
S721	QSW0683-001Z	PUSH SW		
S722	QSW0683-001Z	PUSH SW		
S723	QSW0683-001Z	PUSH SW		
S724	QSW0683-001Z	PUSH SW		

Symbol No.	Part No.	Part Name	Description	Local
S725	QSW0683-001Z	PUSH SW		
S726	QSW0683-001Z	PUSH SW		
S727	QSW0683-001Z	PUSH SW		
S728	QSW0683-001Z	PUSH SW		
S729	QSW0683-001Z	PUSH SW		
S730	QSW0683-001Z	PUSH SW		
S731	QSW0683-001Z	PUSH SW		
S732	QSW0683-001Z	PUSH SW		
S734	QSW0683-001Z	PUSH SW		
S735	QSW0683-001Z	PUSH SW		
S736	QSW0683-001Z	PUSH SW		
S738	QSW0683-001Z	PUSH SW		
S739	QSW0683-001Z	PUSH SW		
S740	QSW0683-001Z	PUSH SW		
S741	QSW0683-001Z	PUSH SW		
S742	QSW0683-001Z	PUSH SW		
S743	QSW0683-001Z	PUSH SW		
S745	QSW0683-001Z	PUSH SW		
S746	QSW0683-001Z	PUSH SW		
S750	QSW0683-001Z	PUSH SW		
S751	QSW0683-001Z	PUSH SW		
S752	QSW0683-001Z	PUSH SW		
S757	QSW0683-001Z	PUSH SW		
X701	QAX0246-001Z	C RESONATOR	8.00MHz	

Power amp. board

Block No. [0][3]

Symbol No.	Part No.	Part Name	Description	Local
PW101	QUB112-14PPPP	SIN TWIST WIRE		
PW102	QUB116-16PPPP	PIN WIRE		
PW103	QUB112-34PPPP	SIN TWIST WIRE		
PW104	QUB111-34PPPP	SIN TWIST WIRE		
PW105	QUB116-26PPPP	SIN TWIST WIRE		
PW306	QUB118-14PPPP	SIN TWIST WIRE		
PW307	QUB116-16PPPP	PIN WIRE		
PW308	QUB112-14PPPP	SIN TWIST WIRE		
PW309	QUB118-14PPPP	SIN TWIST WIRE		
PW310	QUB112-14PPPP	SIN TWIST WIRE		
PW311	QUB111-14PPPP	SIN TWIST WIRE		
IC501	NJM2246D	IC		
Q202	KRC105M-T	DIGI TRANSISTOR		
△ Q203	KTC3203/OY/-T	TRANSISTOR		
Q205	KTC3200/GL/-T	TRANSISTOR		
Q206	KRC105M-T	DIGI TRANSISTOR		
Q208	KRC105M-T	DIGI TRANSISTOR		
Q209	KRC105M-T	DIGI TRANSISTOR		
Q210	KRC105M-T	DIGI TRANSISTOR		
△ Q211	2SD2395/EF/	TRANSTRANSISTOR		
Q301	2SC2240/L/-T	TRANSISTOR		
Q302	2SC2240/L/-T	TRANSISTOR		
Q303	2SC2240/L/-T	TRANSISTOR		
Q304	2SC2240/L/-T	TRANSISTOR		
Q305	KTA1268/GL/-T	TRANSISTOR		
Q306	KTA1268/GL/-T	TRANSISTOR		
Q307	KTC3200/GL/-T	TRANSISTOR		
Q308	KTC3200/GL/-T	TRANSISTOR		
Q309	2SD637/QR/	TRANSISTOR		
Q310	2SD637/QR/	TRANSISTOR		
Q311	KTC3200/GL/-T	TRANSISTOR		
Q312	KTC3200/GL/-T	TRANSISTOR		
Q313	KTA1268/GL/-T	TRANSISTOR		
Q314	KTA1268/GL/-T	TRANSISTOR		
△ Q315	2SD2390/OPY/-F6	TRANSISTOR		
△ Q316	2SD2390/OPY/-F6	TRANSISTOR		
△ Q317	2SB1560/OPY/-F6	TRANSISTOR		
△ Q318	2SB1560/OPY/-F6	TRANSISTOR		
Q319	KTA1268/GL/-T	TRANSISTOR		
Q320	KTA1268/GL/-T	TRANSISTOR		
Q501	KTA1267/YG/-T	TRANSISTOR		
Q502	KTC3199/GL/-T	TRANSISTOR		

△ Symbol No.	Part No.	Part Name	Description	Local	△ Symbol No.	Part No.	Part Name	Description	Local
Q503	KRC101M-T	TRANSISTOR			C206	QFLC1HJ-473Z	M CAPACITOR	0.047uF 50V J	
Q504	KTA1267/YG-T	TRANSISTOR			C207	QFLC1HJ-473Z	M CAPACITOR	0.047uF 50V J	
Q505	KTC3199/GL-T	TRANSISTOR			C208	QFLC2AJ-472Z	M CAPACITOR	4700pF 100V J	
Q801	2SC2240/L-T	TRANSISTOR			C209	QETM1JM-477	E CAPACITOR	470uF 63V M	
Q802	2SC2240/L-T	TRANSISTOR			△ C210	QCZ9104-472	C CAPACITOR	4700pF	
Q803	2SC2240/L-T	TRANSISTOR			C212	QETN1CM-477Z	E CAPACITOR	470uF 16V M	
Q804	2SC2240/L-T	TRANSISTOR			C213	QETN0JM-228Z	E CAPACITOR	2200uF 6.3V M	
Q805	KTA1268/GL-T	TRANSISTOR			C218	QETN1HM-105Z	E CAPACITOR	1uF 50V M	
Q806	KTA1268/GL-T	TRANSISTOR			C301	QEHR1HM-106Z	E CAPACITOR	10uF 50V M	
Q809	2SD637/QR/	TRANSISTOR			C302	QEHR1HM-106Z	E CAPACITOR	10uF 50V M	
Q810	2SD637/QR/	TRANSISTOR			C303	QCS31HJ-271Z	C CAPACITOR	270pF 50V J	
Q811	KTC3200/GL-T	TRANSISTOR			C304	QCS31HJ-271Z	C CAPACITOR	270pF 50V J	
Q812	KTC3200/GL-T	TRANSISTOR			C305	QCS31HJ-221Z	C CAPACITOR	220pF 50V J	
Q813	KTA1268/GL-T	TRANSISTOR			C306	QCS31HJ-221Z	C CAPACITOR	220pF 50V J	
Q814	KTA1268/GL-T	TRANSISTOR			C307	QCB31HK-152Z	C CAPACITOR	1500pF 50V K	
△ Q815	2SD2390/OPY/-F6	TRANSISTOR			C308	QCB31HK-152Z	C CAPACITOR	1500pF 50V K	
△ Q816	2SD2390/OPY/-F6	TRANSISTOR			C309	QETN1CM-227Z	E CAPACITOR	220uF 16V M	
△ Q817	2SB1560/OPY/-F6	TRANSISTOR			C310	QETN1CM-227Z	E CAPACITOR	220uF 16V M	
△ Q818	2SB1560/OPY/-F6	TRANSISTOR			C311	QCS31HJ-100Z	C CAPACITOR	10pF 50V J	
Q819	KTA1268/GL-T	TRANSISTOR			C312	QCS31HJ-100Z	C CAPACITOR	10pF 50V J	
Q820	KTA1268/GL-T	TRANSISTOR			C313	QFLC1HJ-103Z	M CAPACITOR	0.01uF 50V J	
Q901	2SC2240/L-T	TRANSISTOR			C314	QFLC1HJ-103Z	M CAPACITOR	0.01uF 50V J	
Q903	2SC2240/L-T	TRANSISTOR			C315	QCS32HJ-220Z	C CAPACITOR	22pF 500V J	
Q905	KTA1268/GL-T	TRANSISTOR			C316	QCS32HJ-220Z	C CAPACITOR	22pF 500V J	
Q909	2SD637/QR/	TRANSISTOR			C317	QEHR1VM-476Z	E CAPACITOR	47uF 35V M	
Q911	KTC3200/GL-T	TRANSISTOR			C318	QEHR1VM-476Z	E CAPACITOR	47uF 35V M	
Q913	KTA1268/GL-T	TRANSISTOR			C319	QETN1JM-107Z	E CAPACITOR	100uF 63V M	
△ Q915	2SD2390/OPY/-F6	TRANSISTOR			C320	QETN1JM-107Z	E CAPACITOR	100uF 63V M	
△ Q917	2SB1560/OPY/-F6	TRANSISTOR			C321	QCS32HJ-470Z	C CAPACITOR	47pF 500V J	
Q919	KTA1268/GL-T	TRANSISTOR			C322	QCS32HJ-470Z	C CAPACITOR	47pF 500V J	
					C323	QCS32HJ-470Z	C CAPACITOR	47pF 500V J	
△ D201	10DDA20-FD	DIODE			C324	QCS32HJ-470Z	C CAPACITOR	47pF 500V J	
△ D202	11ES2-T4	DIODE			C325	QFLC1HJ-473Z	M CAPACITOR	0.047uF 50V J	
△ D203	10DDA20-FD	DIODE			C326	QFLC1HJ-473Z	M CAPACITOR	0.047uF 50V J	
△ D204	11ES2-T4	DIODE			C327	QFLC1HJ-473Z	M CAPACITOR	0.047uF 50V J	
△ D206	11ES2-T4	DIODE			C328	QFLC1HJ-473Z	M CAPACITOR	0.047uF 50V J	
△ D207	11ES2-T4	DIODE			C501	QEKC1HM-475Z	E CAPACITOR	4.7uF 50V M	
△ D208	11ES2-T4	DIODE			C503	QETN0JM-477Z	E CAPACITOR	470uF 6.3V M	
△ D209	11ES2-T4	DIODE			C504	QCS31HJ-470Z	C CAPACITOR	47pF 50V J	
D210	1SS133-T2	SI DIODE			C505	QEKC1HM-475Z	E CAPACITOR	4.7uF 50V M	
D211	MTZJ6.8C-T2	Z DIODE			C506	QETN0JM-477Z	E CAPACITOR	470uF 6.3V M	
D212	11ES2-T4	DIODE			C507	QCS31HJ-470Z	C CAPACITOR	47pF 50V J	
D217	MTZJ8.2C-T2	Z DIODE			C511	QETN1CM-108Z	E CAPACITOR	1000uF 16V M	
D218	1SS133-T2	SI DIODE			C512	QCBB1HK-223Y	C CAPACITOR	0.022uF 50V K	
D219	11ES2-T4	DIODE			C521	QCBB1HK-221Y	C CAPACITOR	220pF 50V K	
D220	11ES2-T4	DIODE			C522	QCZ0202-155Z	C CAPACITOR	1.5uF 25V Z	
D221	1SS133-T2	SI DIODE			C801	QEHR1HM-106Z	E CAPACITOR	10uF 50V M	
D222	MTZJ12C-T2	Z DIODE			C802	QEHR1HM-106Z	E CAPACITOR	10uF 50V M	
D223	1SS133-T2	SI DIODE			C803	QCS31HJ-271Z	C CAPACITOR	270pF 50V J	
D301	1SS133-T2	SI DIODE			C804	QCS31HJ-271Z	C CAPACITOR	270pF 50V J	
D302	1SS133-T2	SI DIODE			C805	QCS31HJ-221Z	C CAPACITOR	220pF 50V J	
D303	SLR-342MC-T	LED			C806	QCS31HJ-221Z	C CAPACITOR	220pF 50V J	
D304	SLR-342MC-T	LED			C807	QCB31HK-152Z	C CAPACITOR	1500pF 50V K	
D305	1SS133-T2	SI DIODE			C808	QCB31HK-152Z	C CAPACITOR	1500pF 50V K	
D306	1SS133-T2	SI DIODE			C809	QETN1EM-107Z	E CAPACITOR	100uF 25V M	
D307	1SS133-T2	SI DIODE			C810	QETN1EM-107Z	E CAPACITOR	100uF 25V M	
D308	1SS133-T2	SI DIODE			C811	QCS31HJ-100Z	C CAPACITOR	10pF 50V J	
D309	1SS133-T2	SI DIODE			C812	QCS31HJ-100Z	C CAPACITOR	10pF 50V J	
D310	1SS133-T2	SI DIODE			C813	QFLC1HJ-103Z	M CAPACITOR	0.01uF 50V J	
D591	MTZJ6.2C-T2	Z DIODE			C814	QFLC1HJ-103Z	M CAPACITOR	0.01uF 50V J	
D801	1SS133-T2	SI DIODE			C815	QCS32HJ-330Z	C CAPACITOR	33pF 500V J	
D802	1SS133-T2	SI DIODE			C816	QCS32HJ-330Z	C CAPACITOR	33pF 500V J	
D805	1SS133-T2	SI DIODE			C817	QEHR1HM-225Z	E CAPACITOR	2.2uF 50V M	
D806	1SS133-T2	SI DIODE			C818	QEHR1HM-225Z	E CAPACITOR	2.2uF 50V M	
D807	1SS133-T2	SI DIODE			C819	QEHR2AM-106Z	E CAPACITOR	10uF 100V M	
D808	1SS133-T2	SI DIODE			C820	QEHR2AM-106Z	E CAPACITOR	10uF 100V M	
D809	1SS133-T2	SI DIODE			C821	QCS32HJ-470Z	C CAPACITOR	47pF 500V J	
D810	1SS133-T2	SI DIODE			C822	QCS32HJ-470Z	C CAPACITOR	47pF 500V J	
D901	1SS133-T2	SI DIODE			C823	QCS32HJ-470Z	C CAPACITOR	47pF 500V J	
D905	1SS133-T2	SI DIODE			C824	QCS32HJ-470Z	C CAPACITOR	47pF 500V J	
D907	1SS133-T2	SI DIODE			C825	QFLC1HJ-473Z	M CAPACITOR	0.047uF 50V J	
D909	1SS133-T2	SI DIODE			C826	QFLC1HJ-473Z	M CAPACITOR	0.047uF 50V J	
					C827	QFLC1HJ-473Z	M CAPACITOR	0.047uF 50V J	
					C828	QFLC1HJ-473Z	M CAPACITOR	0.047uF 50V J	
C201	QFLC2AJ-104Z	M CAPACITOR	0.1uF 100V J		C829	QETN1HM-476Z	E CAPACITOR	47uF 50V M	
C202	QFLC2AJ-104Z	M CAPACITOR	0.1uF 100V J		C830	QETN1HM-476Z	E CAPACITOR	47uF 50V M	
C203	QFLC2AJ-104Z	M CAPACITOR	0.1uF 100V J		C901	QEHR1HM-106Z	E CAPACITOR	10uF 50V M	
C204	QETM1VM-228	E CAPACITOR	2200uF 35V M		C903	QCS31HJ-271Z	C CAPACITOR	270pF 50V J	
C205	QETM1VM-108	E CAPACITOR	1000uF 35V M						

△ Symbol No.	Part No.	Part Name	Description	Local	△ Symbol No.	Part No.	Part Name	Description	Local
C905	QCS31HJ-221Z	C CAPACITOR	220pF 50V J		R501	QRE141J-331Y	C RESISTOR	330Ω 1/4W J	
C907	QCB31HK-152Z	C CAPACITOR	1500pF 50V K		R502	QRE141J-750Y	C RESISTOR	75Ω 1/4W J	
C909	QETN1EM-107Z	E CAPACITOR	100uF 25V M		R505	QRE141J-750Y	C RESISTOR	75Ω 1/4W J	
C911	QCS31HJ-100Z	C CAPACITOR	10pF 50V J		R506	QRE141J-473Y	C RESISTOR	47kΩ 1/4W J	
C913	QFLC1HJ-103Z	M CAPACITOR	0.01uF 50V J		R507	QRE141J-331Y	C RESISTOR	330Ω 1/4W J	
C915	QCS32HJ-330Z	C CAPACITOR	33pF 500V J		R508	QRE141J-750Y	C RESISTOR	75Ω 1/4W J	
C917	QEHR1HM-225Z	E CAPACITOR	2.2uF 50V M		R509	QRE141J-750Y	C RESISTOR	75Ω 1/4W J	
C919	QEHR2AM-106Z	E CAPACITOR	10uF 100V M		R510	QRE141J-473Y	C RESISTOR	47kΩ 1/4W J	
C921	QCS32HJ-470Z	C CAPACITOR	47pF 500V J		R511	QRE141J-151Y	C RESISTOR	150Ω 1/4W J	
C923	QCS32HJ-470Z	C CAPACITOR	47pF 500V J		R512	QRE141J-271Y	C RESISTOR	270Ω 1/4W J	
C925	QFLC1HJ-473Z	M CAPACITOR	0.047uF 50V J		R513	QRE141J-152Y	C RESISTOR	1.5kΩ 1/4W J	
C927	QFLC1HJ-473Z	M CAPACITOR	0.047uF 50V J		R514	QRE141J-151Y	C RESISTOR	150Ω 1/4W J	
C929	QETN1HM-476Z	E CAPACITOR	47uF 50V M		R515	QRE141J-271Y	C RESISTOR	270Ω 1/4W J	
△ R201	QRJ146J-5R6X	UNF C RESISTOR	5.6Ω 1/4W J		R516	QRE141J-152Y	C RESISTOR	1.5kΩ 1/4W J	
△ R203	QRJ146J-3R9X	UNF C RESISTOR	3.9Ω 1/4W J		R521	QRE141J-221Y	C RESISTOR	220Ω 1/4W J	
△ R204	QRJ146J-821X	UNF C RESISTOR	820Ω 1/4W J		R522	QRE141J-471Y	C RESISTOR	470Ω 1/4W J	
△ R208	QRJ146J-100X	UNF C RESISTOR	10Ω 1/4W J		R591	QRE141J-221Y	C RESISTOR	220Ω 1/4W J	
R209	QRE141J-104Y	C RESISTOR	100kΩ 1/4W J		R801	QRE141J-222Y	C RESISTOR	2.2kΩ 1/4W J	
△ R210	QRJ146J-680X	UNF C RESISTOR	68Ω 1/4W J		R802	QRE141J-222Y	C RESISTOR	2.2kΩ 1/4W J	
△ R211	QRJ146J-153X	UNF C RESISTOR	15kΩ 1/4W J		R803	QRE141J-563Y	C RESISTOR	56kΩ 1/4W J	
△ R212	QRL017J-33Z	OMF RESISTOR	3.3kΩ 1W J		R804	QRE141J-563Y	C RESISTOR	56kΩ 1/4W J	
R301	QRE141J-222Y	C RESISTOR	2.2kΩ 1/4W J		R805	QRE141J-123Y	C RESISTOR	12kΩ 1/4W J	
R302	QRE141J-222Y	C RESISTOR	2.2kΩ 1/4W J		R806	QRE141J-123Y	C RESISTOR	12kΩ 1/4W J	
R303	QRE141J-623Y	C RESISTOR	62kΩ 1/4W J		R807	QRE141J-272Y	C RESISTOR	2.7kΩ 1/4W J	
R304	QRE141J-623Y	C RESISTOR	62kΩ 1/4W J		R808	QRE141J-272Y	C RESISTOR	2.7kΩ 1/4W J	
R305	QRE141J-123Y	C RESISTOR	12kΩ 1/4W J		R809	QRE141J-101Y	C RESISTOR	100Ω 1/4W J	
R306	QRE141J-123Y	C RESISTOR	12kΩ 1/4W J		R810	QRE141J-101Y	C RESISTOR	100Ω 1/4W J	
R307	QRE141J-272Y	C RESISTOR	2.7kΩ 1/4W J		△ R811	QRJ146J-391X	UNF C RESISTOR	390Ω 1/4W J	
R308	QRE141J-272Y	C RESISTOR	2.7kΩ 1/4W J		△ R812	QRJ146J-391X	UNF C RESISTOR	390Ω 1/4W J	
R309	QRE141J-101Y	C RESISTOR	100Ω 1/4W J		R813	QRE141J-563Y	C RESISTOR	56kΩ 1/4W J	
R310	QRE141J-101Y	C RESISTOR	100Ω 1/4W J		R814	QRE141J-563Y	C RESISTOR	56kΩ 1/4W J	
△ R311	QRJ146J-221X	UNF C RESISTOR	220Ω 1/4W J		△ R815	QRJ146J-331X	UNF C RESISTOR	330Ω 1/4W J	
△ R312	QRJ146J-221X	UNF C RESISTOR	220Ω 1/4W J		△ R816	QRJ146J-331X	UNF C RESISTOR	330Ω 1/4W J	
R313	QRE141J-623Y	C RESISTOR	62kΩ 1/4W J		△ R821	QRJ146J-100X	UNF C RESISTOR	10Ω 1/4W J	
R314	QRE141J-623Y	C RESISTOR	62kΩ 1/4W J		△ R822	QRJ146J-100X	UNF C RESISTOR	10Ω 1/4W J	
△ R315	QRJ146J-331X	UNF C RESISTOR	330Ω 1/4W J		△ R823	QRJ146J-100X	UNF C RESISTOR	10Ω 1/4W J	
△ R316	QRJ146J-331X	UNF C RESISTOR	330Ω 1/4W J		△ R824	QRJ146J-100X	UNF C RESISTOR	10Ω 1/4W J	
R317	QRE141J-473Y	C RESISTOR	47kΩ 1/4W J		R825	QRE141J-361Y	C RESISTOR	360Ω 1/4W J	
R318	QRE141J-473Y	C RESISTOR	47kΩ 1/4W J		R826	QRE141J-361Y	C RESISTOR	360Ω 1/4W J	
△ R319	QRJ146J-331X	UNF C RESISTOR	330Ω 1/4W J		R827	QRE141J-821Y	C RESISTOR	820Ω 1/4W J	
△ R320	QRJ146J-331X	UNF C RESISTOR	330Ω 1/4W J		R828	QRE141J-821Y	C RESISTOR	820Ω 1/4W J	
△ R321	QRJ146J-100X	UNF C RESISTOR	10Ω 1/4W J		R829	QRE141J-221Y	C RESISTOR	220Ω 1/4W J	
△ R322	QRJ146J-100X	UNF C RESISTOR	10Ω 1/4W J		R830	QRE141J-221Y	C RESISTOR	220Ω 1/4W J	
△ R323	QRJ146J-100X	UNF C RESISTOR	10Ω 1/4W J		△ R831	QRJ146J-100X	UNF C RESISTOR	10Ω 1/4W J	
△ R324	QRJ146J-100X	UNF C RESISTOR	10Ω 1/4W J		△ R832	QRJ146J-100X	UNF C RESISTOR	10Ω 1/4W J	
R325	QRE141J-361Y	C RESISTOR	360Ω 1/4W J		△ R833	QRJ146J-100X	UNF C RESISTOR	10Ω 1/4W J	
R326	QRE141J-361Y	C RESISTOR	360Ω 1/4W J		△ R834	QRJ146J-100X	UNF C RESISTOR	10Ω 1/4W J	
R327	QRE141J-471Y	C RESISTOR	470Ω 1/4W J		R835	QRE141J-181Y	C RESISTOR	180Ω 1/4W J	
R328	QRE141J-471Y	C RESISTOR	470Ω 1/4W J		R836	QRE141J-181Y	C RESISTOR	180Ω 1/4W J	
R329	QRE141J-471Y	C RESISTOR	470Ω 1/4W J		R837	QRE141J-181Y	C RESISTOR	180Ω 1/4W J	
R330	QRE141J-471Y	C RESISTOR	470Ω 1/4W J		R838	QRE141J-181Y	C RESISTOR	180Ω 1/4W J	
△ R331	QRJ146J-100X	UNF C RESISTOR	10Ω 1/4W J		R839	QRE141J-181Y	C RESISTOR	180Ω 1/4W J	
△ R332	QRJ146J-100X	UNF C RESISTOR	10Ω 1/4W J		R840	QRE141J-181Y	C RESISTOR	180Ω 1/4W J	
△ R333	QRJ146J-100X	UNF C RESISTOR	10Ω 1/4W J		R841	QRE141J-181Y	C RESISTOR	180Ω 1/4W J	
△ R334	QRJ146J-100X	UNF C RESISTOR	10Ω 1/4W J		R842	QRE141J-181Y	C RESISTOR	180Ω 1/4W J	
R335	QRE141J-121Y	C RESISTOR	120Ω 1/4W J		R843	QRZ0218-R22	EMIT RESISTOR	0.22Ω	
R336	QRE141J-121Y	C RESISTOR	120Ω 1/4W J		R844	QRZ0218-R22	EMIT RESISTOR	0.22Ω	
R337	QRE141J-121Y	C RESISTOR	120Ω 1/4W J		R845	QRE141J-102Y	C RESISTOR	1kΩ 1/4W J	
R338	QRE141J-121Y	C RESISTOR	120Ω 1/4W J		R846	QRE141J-102Y	C RESISTOR	1kΩ 1/4W J	
R339	QRE141J-181Y	C RESISTOR	180Ω 1/4W J		R847	QRE141J-183Y	C RESISTOR	18kΩ 1/4W J	
R340	QRE141J-181Y	C RESISTOR	180Ω 1/4W J		R848	QRE141J-183Y	C RESISTOR	18kΩ 1/4W J	
R341	QRE141J-181Y	C RESISTOR	180Ω 1/4W J		R849	QRE141J-123Y	C RESISTOR	12kΩ 1/4W J	
R342	QRE141J-181Y	C RESISTOR	180Ω 1/4W J		R850	QRE141J-123Y	C RESISTOR	12kΩ 1/4W J	
R343	QRZ0218-R22	EMIT RESISTOR	0.22Ω		△ R851	QRJ125J-330	UNF C RESISTOR	33Ω 1/2W J	
R344	QRZ0218-R22	EMIT RESISTOR	0.22Ω		△ R852	QRJ125J-330	UNF C RESISTOR	33Ω 1/2W J	
R345	QRE141J-102Y	C RESISTOR	1kΩ 1/4W J		△ R853	QRL027J-100	OMF RESISTOR	10Ω 2W J	
R346	QRE141J-102Y	C RESISTOR	1kΩ 1/4W J		△ R854	QRL027J-100	OMF RESISTOR	10Ω 2W J	
R347	QRE141J-153Y	C RESISTOR	15kΩ 1/4W J		R855	QRE141J-332Y	C RESISTOR	3.3kΩ 1/4W J	
R348	QRE141J-153Y	C RESISTOR	15kΩ 1/4W J		R856	QRE141J-332Y	C RESISTOR	3.3kΩ 1/4W J	
R349	QRE141J-473Y	C RESISTOR	47kΩ 1/4W J		R857	QRE141J-332Y	C RESISTOR	3.3kΩ 1/4W J	
R350	QRE141J-473Y	C RESISTOR	47kΩ 1/4W J		R858	QRE141J-332Y	C RESISTOR	3.3kΩ 1/4W J	
△ R351	QRJ125J-330	UNF C RESISTOR	33Ω 1/2W J		R859	QRE141J-332Y	C RESISTOR	3.3kΩ 1/4W J	
△ R352	QRJ125J-330	UNF C RESISTOR	33Ω 1/2W J		R860	QRE141J-332Y	C RESISTOR	3.3kΩ 1/4W J	
△ R353	QRL027J-100	OMF RESISTOR	10Ω 2W J		R861	QRE141J-332Y	C RESISTOR	3.3kΩ 1/4W J	
△ R354	QRL027J-100	OMF RESISTOR	10Ω 2W J		R862	QRE141J-332Y	C RESISTOR	3.3kΩ 1/4W J	
R363	QRE141J-272Y	C RESISTOR	2.7kΩ 1/4W J		R863	QRE141J-272Y	C RESISTOR	2.7kΩ 1/4W J	
R364	QRE141J-272Y	C RESISTOR	2.7kΩ 1/4W J		R864	QRE141J-272Y	C RESISTOR	2.7kΩ 1/4W J	
					R901	QRE141J-222Y	C RESISTOR	2.2kΩ 1/4W J	

△ Symbol No.	Part No.	Part Name	Description	Local	△ Symbol No.	Part No.	Part Name	Description	Local
R903	QRE141J-623Y	C RESISTOR	62kΩ 1/4W J		△ TH901	QAD0012-202	THERMISTOR	2kΩ L	
R905	QRE141J-123Y	C RESISTOR	12kΩ 1/4W J		DSP board				
R907	QRE141J-272Y	C RESISTOR	2.7kΩ 1/4W J		Block No. [0][4]				
R909	QRE141J-101Y	C RESISTOR	100Ω 1/4W J		△ Symbol No.	Part No.	Part Name	Description	Local
△ R911	QRJ146J-301X	UNF C RESISTOR	300Ω 1/4W J		IC601	NJM4565M-WE	IC		
R913	QRE141J-623Y	C RESISTOR	62kΩ 1/4W J		IC602	NJM4565M-WE	IC		
△ R915	QRJ146J-331X	UNF C RESISTOR	330Ω 1/4W J		IC611	NJM4565M-WE	IC		
△ R921	QRJ146J-100X	UNF C RESISTOR	10Ω 1/4W J		IC612	NJM4565M-WE	IC		
△ R923	QRJ146J-100X	UNF C RESISTOR	10Ω 1/4W J		IC613	NJM4565M-WE	IC		
R925	QRE141J-361Y	C RESISTOR	360Ω 1/4W J		IC615	NJM4565M-WE	IC		
R927	QRE141J-821Y	C RESISTOR	820Ω 1/4W J		IC621	NJM4565M-WE	IC		
R929	QRE141J-221Y	C RESISTOR	220Ω 1/4W J		IC622	NJM4565M-WE	IC		
△ R931	QRJ146J-100X	UNF C RESISTOR	10Ω 1/4W J		IC631	NJM2120M-X	IC		
△ R933	QRJ146J-100X	UNF C RESISTOR	10Ω 1/4W J		IC632	NJM4565M-WE	IC		
R935	QRE141J-181Y	C RESISTOR	180Ω 1/4W J		IC633	NJM4565M-WE	IC		
R937	QRE141J-181Y	C RESISTOR	180Ω 1/4W J		IC634	NJM4565M-WE	IC		
R939	QRE141J-181Y	C RESISTOR	180Ω 1/4W J		IC661	DSPA56370AF	IC		
R941	QRE141J-181Y	C RESISTOR	180Ω 1/4W J		IC662	SN74LVC1GU04K-X	IC		
R943	QRZ0218-R22	EMIT RESISTOR	0.22Ω		IC667	CS42518-CQZ-C-W	IC		
R945	QRE141J-102Y	C RESISTOR	1kΩ 1/4W J		IC671	UPD784217AGC266	IC		
R947	QRE141J-183Y	C RESISTOR	18kΩ 1/4W J		IC672	SN74AHCT1G32K-X	IC		
R949	QRE141J-473Y	C RESISTOR	47kΩ 1/4W J		IC673	SN74LVC1G04K-X	IC		
△ R951	QRJ125J-330	UNF C RESISTOR	33Ω 1/2W J		IC691	BA3259HFP-W	IC		
△ R953	QRL027J-100	OMF RESISTOR	10Ω 2W J		Q2101	2SD2114K/VW/-X	TRANSISTOR		
R955	QRE141J-332Y	C RESISTOR	3.3kΩ 1/4W J		Q2102	2SD2114K/VW/-X	TRANSISTOR		
R957	QRE141J-332Y	C RESISTOR	3.3kΩ 1/4W J		Q2141	2SD601A/RS/-X	TRANSISTOR		
R959	QRE141J-332Y	C RESISTOR	3.3kΩ 1/4W J		Q2142	2SD601A/RS/-X	TRANSISTOR		
R961	QRE141J-332Y	C RESISTOR	3.3kΩ 1/4W J		Q2201	2SD2114K/VW/-X	TRANSISTOR		
R963	QRE141J-272Y	C RESISTOR	2.7kΩ 1/4W J		Q2202	2SD2114K/VW/-X	TRANSISTOR		
VR301	QVP0008-102Z	TRIM RESISTOR	1kΩ		Q2221	2SD2114K/VW/-X	TRANSISTOR		
VR302	QVP0008-102Z	TRIM RESISTOR	1kΩ		Q2222	2SD2114K/VW/-X	TRANSISTOR		
L301	QQLZ005-R45	COIL	0.45uH		Q2301	2SD2114K/VW/-X	TRANSISTOR		
L302	QQLZ005-R45	COIL	0.45uH		Q2341	2SD601A/RS/-X	TRANSISTOR		
L801	QQLZ005-R45	COIL	0.45uH		Q2401	2SD2114K/VW/-X	TRANSISTOR		
L802	QQLZ005-R45	COIL	0.45uH		Q2421	2SD2114K/VW/-X	TRANSISTOR		
L901	QQLZ005-R45	COIL	0.45uH		Q2701	UN2214-X	TRANSISTOR		
△ T202	QQT0281-006	POWER TRANSF			Q2702	UN2214-X	TRANSISTOR		
CN201	QGF1205C1-14	CONNECTOR	FFC/FPC (1-14)		Q2703	UN2214-X	TRANSISTOR		
CN203	QGD2504C1-05Z	CONNECTOR	(1-5)		Q2704	UN2114-X	TRANSISTOR		
CN241	QGD2504C1-05Z	CONNECTOR	(1-5)		Q2705	UN2114-X	TRANSISTOR		
CN251	QGA3901F2-03	CONNECTOR	W-B (1-3)		Q2706	UN2114-X	TRANSISTOR		
CN291	QGB2510J1-04	CONNECTOR	B-B (1-4)		Q2707	UN2114-X	TRANSISTOR		
CN292	QGB2510K1-04	CONNECTOR	B-B (1-4)		Q2708	UN2114-X	TRANSISTOR		
CN301	QGB2510K1-14	CONNECTOR	B-B (1-14)		Q2709	UN2114-X	TRANSISTOR		
CN302	QGB2510K1-14	CONNECTOR	B-B (1-14)		Q2710	UN2214-X	TRANSISTOR		
CN492	QGB2510K1-04	CONNECTOR	B-B (1-4)		C2001	QETN1EM-475Z	E CAPACITOR	4.7uF 25V M	
CN501	QGB2510K1-07	CONNECTOR	B-B (1-7)		C2002	QETN1EM-475Z	E CAPACITOR	4.7uF 25V M	
CN801	QGB2510K1-14	CONNECTOR	B-B (1-14)		C2005	NDC31HJ-330X	C CAPACITOR	33pF 50V J	
CN802	QGB2510K1-14	CONNECTOR	B-B (1-14)		C2006	NDC31HJ-330X	C CAPACITOR	33pF 50V J	
CN901	QGB2510K1-14	CONNECTOR	B-B (1-14)		C2009	NCF31CZ-104X	C CAPACITOR	0.1uF 16V Z	
EP1	E409182-001SM	GRAND TERMINAL			C2010	NCF31CZ-104X	C CAPACITOR	0.1uF 16V Z	
EP201	QNZ0136-001Z	EARTH PLATE			C2013	NDC31HJ-330X	C CAPACITOR	33pF 50V J	
FC211	QNG0020-001Z	FUSE CLIP			C2014	NDC31HJ-330X	C CAPACITOR	33pF 50V J	
FC212	QNG0020-001Z	FUSE CLIP			C2018	QETN1AM-476Z	E CAPACITOR	47uF 10V M	
FC221	QNG0020-001Z	FUSE CLIP			C2019	NCF31CZ-104X	C CAPACITOR	0.1uF 16V Z	
FC222	QNG0020-001Z	FUSE CLIP			C2020	NCF31CZ-104X	C CAPACITOR	0.1uF 16V Z	
FC231	QNG0020-001Z	FUSE CLIP			C2101	NCB31HK-332X	C CAPACITOR	3300pF 50V K	
FC232	QNG0020-001Z	FUSE CLIP			C2102	NCB31HK-332X	C CAPACITOR	3300pF 50V K	
FC241	QNG0020-001Z	FUSE CLIP			C2109	QETN1HM-226Z	E CAPACITOR	22uF 50V M	
FC242	QNG0020-001Z	FUSE CLIP			C2110	QETN1HM-226Z	E CAPACITOR	22uF 50V M	
FC251	QNG0020-001Z	FUSE CLIP			C2111	NCF31CZ-104X	C CAPACITOR	0.1uF 16V Z	
FC252	QNG0020-001Z	FUSE CLIP			C2112	NCF31CZ-104X	C CAPACITOR	0.1uF 16V Z	
FW201	QUM217-14Z4Z4	PARA RIBON WIRE			C2113	NCB31HK-102X	C CAPACITOR	1000pF 50V K	
FW251	QUM213-08DGZ4	PARA RIBON WIRE			C2114	NCB31HK-102X	C CAPACITOR	1000pF 50V K	
J501	QNN0011-001	PIN JACK			C2115	NCB31HK-822X	C CAPACITOR	8200pF 50V K	
J502	QNN0011-001	PIN JACK			C2116	NCB31HK-822X	C CAPACITOR	8200pF 50V K	
J521	QNS0073-001	JACK			C2129	QETN1HM-475Z	E CAPACITOR	4.7uF 50V M	
J591	QNS0073-001	JACK			C2131	NCF31CZ-104X	C CAPACITOR	0.1uF 16V Z	
△ RY202	QSK0142-001	RELAY			C2132	NCF31CZ-104X	C CAPACITOR	0.1uF 16V Z	
△ RY203	QSK0109-001	RELAY			C2133	NDC31HJ-330X	C CAPACITOR	33pF 50V J	
TA201	QNZ0079-001Z	TAB							
TA202	QNZ0079-001Z	TAB							
△ TH301	QAD0012-202	THERMISTOR	2kΩ L						
△ TH302	QAD0012-202	THERMISTOR	2kΩ L						
△ TH801	QAD0012-202	THERMISTOR	2kΩ L						
△ TH802	QAD0012-202	THERMISTOR	2kΩ L						

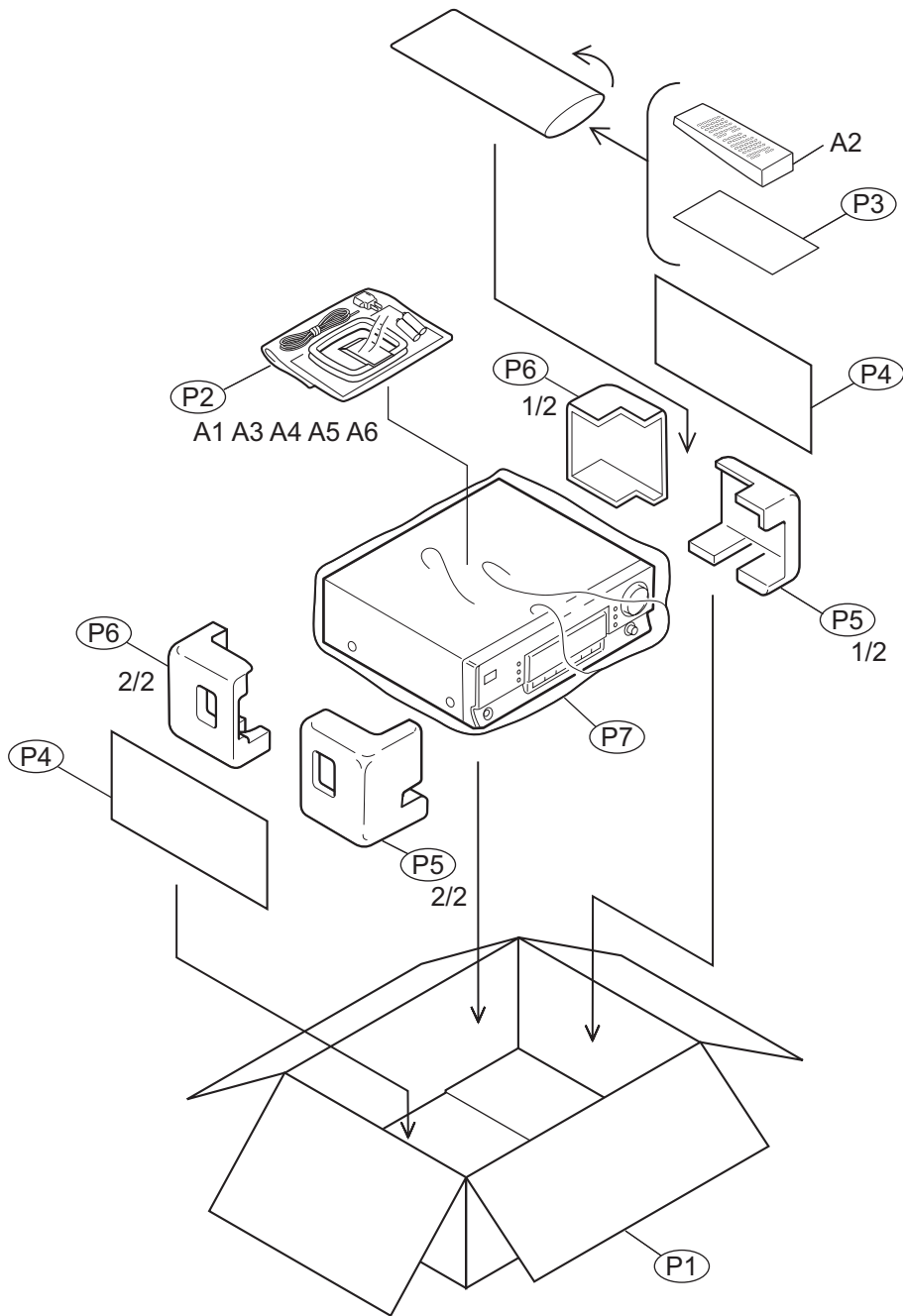
△ Symbol No.	Part No.	Part Name	Description	Local	△ Symbol No.	Part No.	Part Name	Description	Local
C2134	NDC31HJ-330X	C CAPACITOR	33pF 50V J		C2631	NCF31CZ-104X	C CAPACITOR	0.1uF 16V Z	
C2139	QETN1EM-475Z	E CAPACITOR	4.7uF 25V M		C2632	NCF31CZ-104X	C CAPACITOR	0.1uF 16V Z	
C2140	QETN1EM-475Z	E CAPACITOR	4.7uF 25V M		C2633	NCF31CZ-104X	C CAPACITOR	0.1uF 16V Z	
C2141	NCF31CZ-104X	C CAPACITOR	0.1uF 16V Z		C2641	NDC31HJ-101X	C CAPACITOR	100pF 50V J	
C2142	NCF31CZ-104X	C CAPACITOR	0.1uF 16V Z		C2642	NDC31HJ-101X	C CAPACITOR	100pF 50V J	
C2143	NDC31HJ-330X	C CAPACITOR	33pF 50V J		C2643	NCF31CZ-104X	C CAPACITOR	0.1uF 16V Z	
C2144	NDC31HJ-330X	C CAPACITOR	33pF 50V J		C2671	QETN1CM-106Z	E CAPACITOR	10uF 16V M	
C2149	QETN1EM-475Z	E CAPACITOR	4.7uF 25V M		C2672	QETN1CM-106Z	E CAPACITOR	10uF 16V M	
C2150	QETN1EM-475Z	E CAPACITOR	4.7uF 25V M		C2673	QETN1CM-106Z	E CAPACITOR	10uF 16V M	
C2181	NCF31CZ-104X	C CAPACITOR	0.1uF 16V Z		C2674	NCF31CZ-104X	C CAPACITOR	0.1uF 16V Z	
C2182	NCF31CZ-104X	C CAPACITOR	0.1uF 16V Z		C2675	NCF31CZ-104X	C CAPACITOR	0.1uF 16V Z	
C2183	NCB31HK-681X	C CAPACITOR	680pF 50V K		C2676	NCB31HK-221X	C CAPACITOR	220pF 50V K	
C2184	NCB31HK-681X	C CAPACITOR	680pF 50V K		C2677	NCB31HK-221X	C CAPACITOR	220pF 50V K	
C2185	NCB31HK-681X	C CAPACITOR	680pF 50V K		C2678	QETN1EM-475Z	E CAPACITOR	4.7uF 25V M	
C2186	NCB31HK-681X	C CAPACITOR	680pF 50V K		C2679	NCF31CZ-104X	C CAPACITOR	0.1uF 16V Z	
C2187	NCB31HK-682X	C CAPACITOR	6800pF 50V K		C2680	QETN0JM-107Z	E CAPACITOR	100uF 6.3V M	
C2188	NCB31HK-682X	C CAPACITOR	6800pF 50V K		C2681	NCF31CZ-104X	C CAPACITOR	0.1uF 16V Z	
C2201	NCB31HK-182X	C CAPACITOR	1800pF 50V K		C2682	NCF31CZ-104X	C CAPACITOR	0.1uF 16V Z	
C2202	NCB31HK-182X	C CAPACITOR	1800pF 50V K		C2683	NCB31CK-223X	C CAPACITOR	0.022uF 16V K	
C2209	QETN1HM-225Z	E CAPACITOR	2.2uF 50V M		C2684	NCB31HK-102X	C CAPACITOR	1000pF 50V K	
C2210	QETN1HM-225Z	E CAPACITOR	2.2uF 50V M		C2685	NCF31CZ-104X	C CAPACITOR	0.1uF 16V Z	
C2229	QETN1HM-105Z	E CAPACITOR	1uF 50V M		C2686	NCF31CZ-104X	C CAPACITOR	0.1uF 16V Z	
C2230	QETN1HM-105Z	E CAPACITOR	1uF 50V M		C2687	NCF31CZ-104X	C CAPACITOR	0.1uF 16V Z	
C2241	NCF31CZ-104X	C CAPACITOR	0.1uF 16V Z		C2688	NCB31CK-103X	C CAPACITOR	0.01uF 16V K	
C2242	NCF31CZ-104X	C CAPACITOR	0.1uF 16V Z		C2689	NCB31CK-103X	C CAPACITOR	0.01uF 16V K	
C2243	NCB31HK-562X	C CAPACITOR	5600pF 50V K		C2690	NCB31CK-103X	C CAPACITOR	0.01uF 16V K	
C2244	NCB31HK-562X	C CAPACITOR	5600pF 50V K		C2691	NCB31CK-103X	C CAPACITOR	0.01uF 16V K	
C2245	NCB31HK-182X	C CAPACITOR	1800pF 50V K		C2692	NCB31CK-103X	C CAPACITOR	0.01uF 16V K	
C2246	NCB31HK-182X	C CAPACITOR	1800pF 50V K		C2701	QETN0JM-107Z	E CAPACITOR	100uF 6.3V M	
C2249	QETN1HM-225Z	E CAPACITOR	2.2uF 50V M		C2702	NCB31CK-103X	C CAPACITOR	0.01uF 16V K	
C2250	QETN1HM-225Z	E CAPACITOR	2.2uF 50V M		C2703	NDC31HJ-101X	C CAPACITOR	100pF 50V J	
C2281	NCF31CZ-104X	C CAPACITOR	0.1uF 16V Z		C2721	NDC31HJ-101X	C CAPACITOR	100pF 50V J	
C2282	NCF31CZ-104X	C CAPACITOR	0.1uF 16V Z		C2731	NCF31CZ-104X	C CAPACITOR	0.1uF 16V Z	
C2283	NCB31HK-471X	C CAPACITOR	470pF 50V K		C2751	NCF31CZ-104X	C CAPACITOR	0.1uF 16V Z	
C2284	NCB31HK-471X	C CAPACITOR	470pF 50V K		C2771	QETN1AM-476Z	E CAPACITOR	47uF 10V M	
C2285	NCB31HK-471X	C CAPACITOR	470pF 50V K		C2861	NDC31HJ-101X	C CAPACITOR	100pF 50V J	
C2286	NCB31HK-471X	C CAPACITOR	470pF 50V K		C2862	NCF31CZ-104X	C CAPACITOR	0.1uF 16V Z	
C2287	NCB31HK-682X	C CAPACITOR	6800pF 50V K		C2863	NCF31CZ-104X	C CAPACITOR	0.1uF 16V Z	
C2288	NCB31HK-682X	C CAPACITOR	6800pF 50V K		C2871	NDC31HJ-270X	C CAPACITOR	27pF 50V J	
C2301	NCB31HK-272X	C CAPACITOR	2700pF 50V K		C2881	NCB31CK-103X	C CAPACITOR	0.01uF 16V K	
C2309	QETN1HM-226Z	E CAPACITOR	22uF 50V M		C2882	NCB31CK-103X	C CAPACITOR	0.01uF 16V K	
C2323	NCB31HK-562X	C CAPACITOR	5600pF 50V K		C2883	NCB31CK-103X	C CAPACITOR	0.01uF 16V K	
C2325	NCB31HK-182X	C CAPACITOR	1800pF 50V K		C2901	QETN1CM-106Z	E CAPACITOR	10uF 16V M	
C2341	NCF31CZ-104X	C CAPACITOR	0.1uF 16V Z		C2902	QETN1CM-106Z	E CAPACITOR	10uF 16V M	
C2342	NCF31CZ-104X	C CAPACITOR	0.1uF 16V Z		C2903	QETN1AM-476Z	E CAPACITOR	47uF 10V M	
C2343	NDC31HJ-330X	C CAPACITOR	33pF 50V J		C2911	QETN0JM-227Z	E CAPACITOR	220uF 6.3V M	
C2349	QETN1HM-225Z	E CAPACITOR	2.2uF 50V M		C2912	NCF31CZ-104X	C CAPACITOR	0.1uF 16V Z	
C2381	NCF31CZ-104X	C CAPACITOR	0.1uF 16V Z		C2921	QETN0JM-107Z	E CAPACITOR	100uF 6.3V M	
C2382	NCF31CZ-104X	C CAPACITOR	0.1uF 16V Z		C2922	NCF31CZ-104X	C CAPACITOR	0.1uF 16V Z	
C2383	NCB31HK-681X	C CAPACITOR	680pF 50V K		C2923	QETN0JM-107Z	E CAPACITOR	100uF 6.3V M	
C2385	NCB31HK-681X	C CAPACITOR	680pF 50V K		C2924	NCF31CZ-104X	C CAPACITOR	0.1uF 16V Z	
C2387	NCB31HK-682X	C CAPACITOR	6800pF 50V K		C2925	NCF31CZ-104X	C CAPACITOR	0.1uF 16V Z	
C2401	NCB31HK-561X	C CAPACITOR	560pF 50V K		C2951	NCF31AZ-105X	C CAPACITOR	1uF 10V Z	
C2409	QETN1HM-226Z	E CAPACITOR	22uF 50V M		C2952	NCF31AZ-105X	C CAPACITOR	1uF 10V Z	
C2411	NCF31CZ-104X	C CAPACITOR	0.1uF 16V Z		C2953	NCF31AZ-105X	C CAPACITOR	1uF 10V Z	
C2412	NCF31CZ-104X	C CAPACITOR	0.1uF 16V Z		C2954	NCF31AZ-105X	C CAPACITOR	1uF 10V Z	
C2421	NCF31CZ-104X	C CAPACITOR	0.1uF 16V Z		C2955	NCF31AZ-105X	C CAPACITOR	1uF 10V Z	
C2422	NCF31CZ-104X	C CAPACITOR	0.1uF 16V Z		C2956	NCF31CZ-104X	C CAPACITOR	0.1uF 16V Z	
C2423	NCB31CK-823X	C CAPACITOR	0.082uF 16V K		C2957	NCF31CZ-104X	C CAPACITOR	0.1uF 16V Z	
C2425	QFN31HJ-333Z	M CAPACITOR	0.033uF 50V J		R2001	NRSA63J-104X	MG RESISTOR	100kΩ 1/16W J	
C2429	QETN1HM-475Z	E CAPACITOR	4.7uF 50V M		R2002	NRSA63J-104X	MG RESISTOR	100kΩ 1/16W J	
C2433	NCB31CK-823X	C CAPACITOR	0.082uF 16V K		R2003	NRSA63J-223X	MG RESISTOR	22kΩ 1/16W J	
C2435	QFN31HJ-333Z	M CAPACITOR	0.033uF 50V J		R2004	NRSA63J-223X	MG RESISTOR	22kΩ 1/16W J	
C2449	QETN1EM-475Z	E CAPACITOR	4.7uF 25V M		R2007	NRSA63J-223X	MG RESISTOR	22kΩ 1/16W J	
C2483	NCB31HK-471X	C CAPACITOR	470pF 50V K		R2008	NRSA63J-223X	MG RESISTOR	22kΩ 1/16W J	
C2485	NCB31HK-471X	C CAPACITOR	470pF 50V K		R2011	NRSA63J-223X	MG RESISTOR	22kΩ 1/16W J	
C2487	NCB31HK-332X	C CAPACITOR	3300pF 50V K		R2012	NRSA63J-223X	MG RESISTOR	22kΩ 1/16W J	
C2601	QETN0JM-107Z	E CAPACITOR	100uF 6.3V M		R2013	NRSA63J-223X	MG RESISTOR	22kΩ 1/16W J	
C2606	NCF31CZ-104X	C CAPACITOR	0.1uF 16V Z		R2014	NRSA63J-223X	MG RESISTOR	22kΩ 1/16W J	
C2607	NCF31CZ-104X	C CAPACITOR	0.1uF 16V Z		R2017	NRSA63J-472X	MG RESISTOR	4.7kΩ 1/16W J	
C2608	NCF31CZ-104X	C CAPACITOR	0.1uF 16V Z		R2018	NRSA63J-472X	MG RESISTOR	4.7kΩ 1/16W J	
C2611	NCF31CZ-104X	C CAPACITOR	0.1uF 16V Z		R2021	NRSA63J-331X	MG RESISTOR	330Ω 1/16W J	
C2612	NCF31CZ-104X	C CAPACITOR	0.1uF 16V Z		R2022	NRSA63J-331X	MG RESISTOR	330Ω 1/16W J	
C2613	NCF31CZ-104X	C CAPACITOR	0.1uF 16V Z		R2023	NRSA63J-331X	MG RESISTOR	330Ω 1/16W J	
C2614	NCB31HK-102X	C CAPACITOR	1000pF 50V K		R2024	NRSA63J-331X	MG RESISTOR	330Ω 1/16W J	
C2621	NCF31CZ-104X	C CAPACITOR	0.1uF 16V Z		R2101	NRSA63J-103X	MG RESISTOR	10kΩ 1/16W J	
C2622	NCF31CZ-104X	C CAPACITOR	0.1uF 16V Z		R2102	NRSA63J-103X	MG RESISTOR	10kΩ 1/16W J	
C2623	NCF31CZ-104X	C CAPACITOR	0.1uF 16V Z						

Symbol No.	Part No.	Part Name	Description	Local
R2707	NRSA63J-221X	MG RESISTOR	220Ω 1/16W J	
R2711	NRSA63J-103X	MG RESISTOR	10kΩ 1/16W J	
R2713	NRSA63J-103X	MG RESISTOR	10kΩ 1/16W J	
R2714	NRSA63J-103X	MG RESISTOR	10kΩ 1/16W J	
R2715	NRSA63J-103X	MG RESISTOR	10kΩ 1/16W J	
R2716	NRSA63J-103X	MG RESISTOR	10kΩ 1/16W J	
R2721	NRSA63J-103X	MG RESISTOR	10kΩ 1/16W J	
R2722	NRSA63J-102X	MG RESISTOR	1kΩ 1/16W J	
R2723	NRSA63J-102X	MG RESISTOR	1kΩ 1/16W J	
R2724	NRSA63J-822X	MG RESISTOR	8.2kΩ 1/16W J	
R2725	NRSA63J-432X	MG RESISTOR	4.3kΩ 1/16W J	
R2726	NRSA63J-822X	MG RESISTOR	8.2kΩ 1/16W J	
R2727	NRSA63J-432X	MG RESISTOR	4.3kΩ 1/16W J	
R2728	NRSA63J-221X	MG RESISTOR	220Ω 1/16W J	
R2731	NRSA63J-221X	MG RESISTOR	220Ω 1/16W J	
R2732	NRSA63J-221X	MG RESISTOR	220Ω 1/16W J	
R2733	NRSA63J-221X	MG RESISTOR	220Ω 1/16W J	
R2734	NRSA63J-221X	MG RESISTOR	220Ω 1/16W J	
R2735	NRSA63J-221X	MG RESISTOR	220Ω 1/16W J	
R2736	NRSA63J-221X	MG RESISTOR	220Ω 1/16W J	
R2738	NRSA63J-221X	MG RESISTOR	220Ω 1/16W J	
R2739	NRSA63J-221X	MG RESISTOR	220Ω 1/16W J	
R2743	NRSA63J-221X	MG RESISTOR	220Ω 1/16W J	
R2744	NRSA63J-221X	MG RESISTOR	220Ω 1/16W J	
R2745	NRSA63J-221X	MG RESISTOR	220Ω 1/16W J	
R2751	NRSA63J-102X	MG RESISTOR	1kΩ 1/16W J	
R2752	NRSA63J-103X	MG RESISTOR	10kΩ 1/16W J	
R2761	NRSA63J-105X	MG RESISTOR	1MΩ 1/16W J	
R2762	NRSA63J-105X	MG RESISTOR	1MΩ 1/16W J	
R2763	NRSA63J-105X	MG RESISTOR	1MΩ 1/16W J	
R2771	NRSA63J-102X	MG RESISTOR	1kΩ 1/16W J	
R2772	NRSA63J-105X	MG RESISTOR	1MΩ 1/16W J	
R2773	NRSA63J-105X	MG RESISTOR	1MΩ 1/16W J	
R2861	NRSA63J-221X	MG RESISTOR	220Ω 1/16W J	
R2862	NRSA63J-392X	MG RESISTOR	3.9kΩ 1/16W J	
R2863	NRSA63J-392X	MG RESISTOR	3.9kΩ 1/16W J	
R2871	NRSA63J-750X	MG RESISTOR	75Ω 1/16W J	
R2872	NRSA63J-102X	MG RESISTOR	1kΩ 1/16W J	
R2873	NRSA63J-102X	MG RESISTOR	1kΩ 1/16W J	
R2921	NRSA63J-182X	MG RESISTOR	1.8kΩ 1/16W J	
R2922	NRSA63J-112X	MG RESISTOR	1.1kΩ 1/16W J	
CN681	QGB2510K1-07	CONNECTOR	B-B (1-7)	
CN683	QGB2510K1-14	CONNECTOR	B-B (1-14)	
EP681	E409182-001SM	GRAND TERMINAL		
J681	QNN0481-001	SURROUND JACK		
K2861	NQR0269-004X	FERRITE BEADS		
UN682	GP1FA553RZ0F	IC		
UN683	GP1FA553RZ0F	IC		
X661	QAX0722-001Z	CRYSTAL	24.576MHz	
X671	QAX0719-001Z	C RESONATOR	6.144MHz	

<MEMO>

Packing materials and accessories parts list

Block No. M 3 M M



Packing and Accessories

Block No. [M][3][M][M]

△	Symbol No.	Part No.	Part Name	Description	Local
	A 1	LVT1140-004A	INST BOOK	ENG SPA POR CHI(PEKIN)	
	A 2	RM-SRX6042U	REMOCON		
	A 3	-----	BATTERY	(x2)	
	A 4	QAL0595-001	ANTENNA		
	A 5	QAL0014-001	AM LOOP ANT		
	A 6	QAM0112-002	PLUG ADAPTOR		
	P 1	LV21633-011A	CARTON BOX		
	P 2	QPA02503505P	POLY BAG	25cm x 35cm	
	P 3	LV30256-014A	SHEET		
	P 4	LV32034-008A	SHEET	(x2)	
	P 5	LV21634-003A	CUSHION		
△	P 6	LV21635-002A	CUSHION		
	P 7	QPC06507015P	POLY BAG	65cm x 70cm	