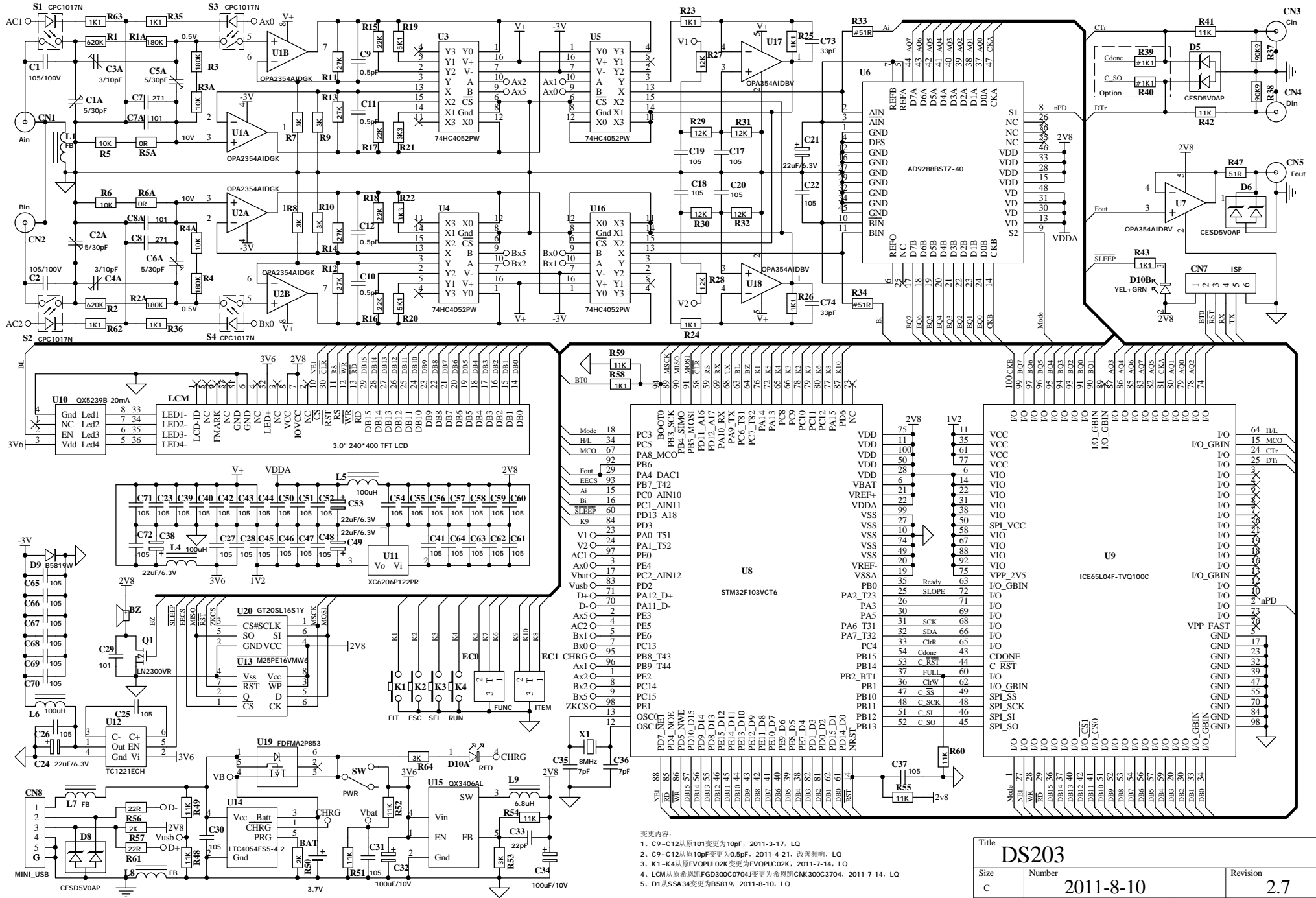


59V
 0.2V: Ax0=1, Ax1=1 10 V: Ax0=0, Ax1=1 x1: Ax2=0, Ax5=0 x2: Ax2=1, Ax5=0 0.2V: Bx0=1, Bx1=1 10 V: Bx0=0, Bx1=1 x1: Bx2=0, Bx5=0 x2: Bx2=1, Bx5=0
 5.0V: Ax0=0, Ax1=0 CHB: Ax0=1, Ax1=0 x5: Ax2=0, Ax5=1 x10: Ax2=1, Ax5=1 5.0V: Bx0=0, Bx1=0 CHA: Bx0=1, Bx1=0 x5: Bx2=0, Bx5=1 x10: Bx2=1, Bx5=1



- 变更内容:
- C9-C12从原101变更为10pF, 2011-3-17, LQ
 - C9-C12从原100pF变更为0.5pF, 2011-4-21, 改善瞬响, LQ
 - K1-K4从原EVOPUL02K变更为EVOPUC02K, 2011-7-14, LQ
 - LCM从原希盟I2C300C070J4变更为希盟I2C300C370A, 2011-7-14, LQ
 - D1从SSA34变更为B5819, 2011-8-10, LQ

Title		Revision	
DS203		2.7	
Size	Number		
c	2011-8-10		
Date:	9-Jan-2012	Sheet 1 of 1	
File:	E:\Proj\EDA\DS203.dtb	Drawn By: CXG	