

VIB1

SPEAKER

CN700

UP

INT

DOWN

CLEAR

F1

LEFT

RIGHT

F2

SEND

PWR

1

2

3

4

5

6

7

8

9

\*

0

SH

G6

G6

G7

- TP711
- TP213
- TP710
- TP708
- TP709
- TP707
- TP712
- TP714

LED609  
R609  
LED610

LED610  
R610

TP207

LED603  
R603  
LED604  
R604

LED605  
R605

TP205

R601  
LED602  
R602  
LED606  
R606

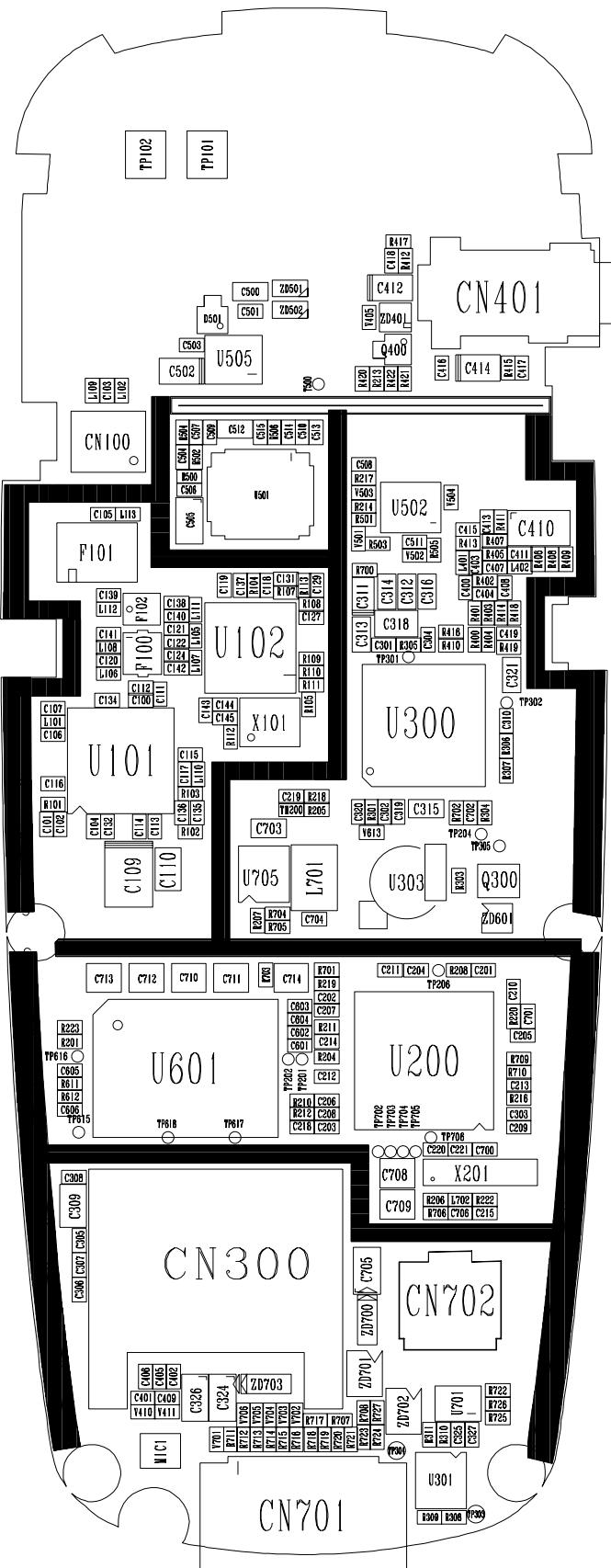
TP204  
R604  
LED607  
R607

R604  
LED604

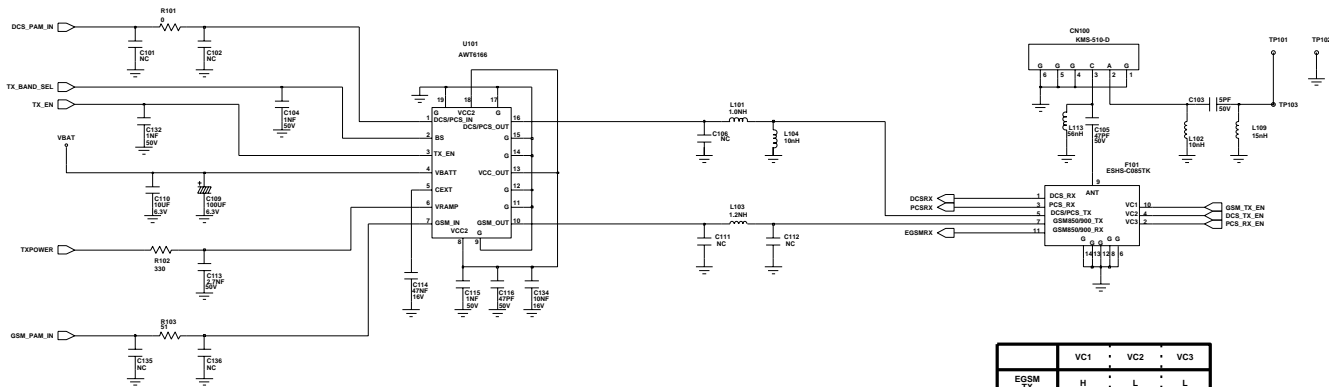
R601  
LED605  
R608

R612  
LED607  
R607

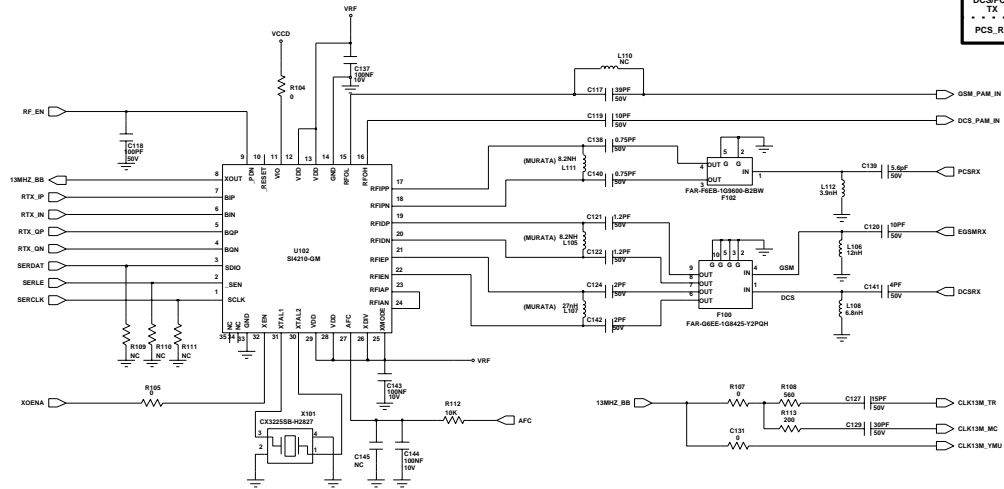
LED605  
R605



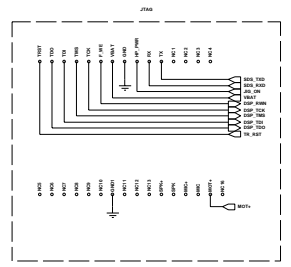
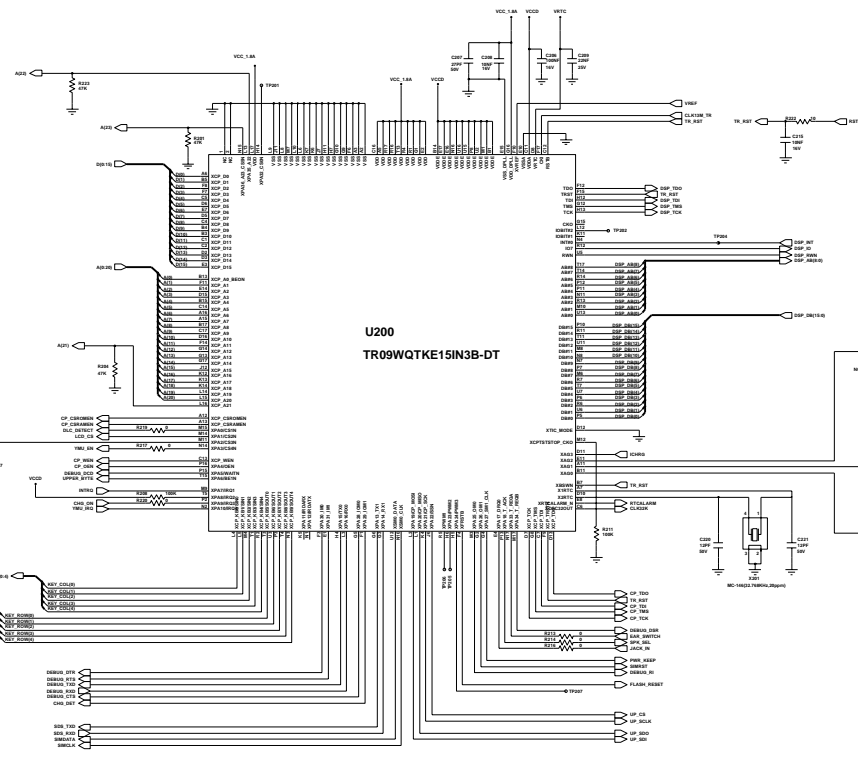
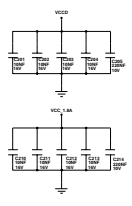
NC5	NC6	NC7	NC8	NC9	NC10	NC11	NC12	NC13	SPK+	SPK	NC1+	NC1	NC2	NC3	NC4	NC16
TEST	TP0	TP1	TP5	TPX	P_BC	VBAT	GN	HP_PRR	RX	TX	NC1	NC2	NC3	NC4	TP108	



	VC1	VC2	VC3
EGSM TX	H	L	L
DCS/PCS TX	L	H	L
PCS_RX	L	L	H

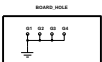
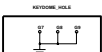


Engineer	<b>SAMSUNG ELECTRONICS</b>		Size
Drawn by	TITLE:		AS
RD/CHK	<b>SGH-C210</b>		
DOC CTRL/CHK			
MFG ENGR/CHK			

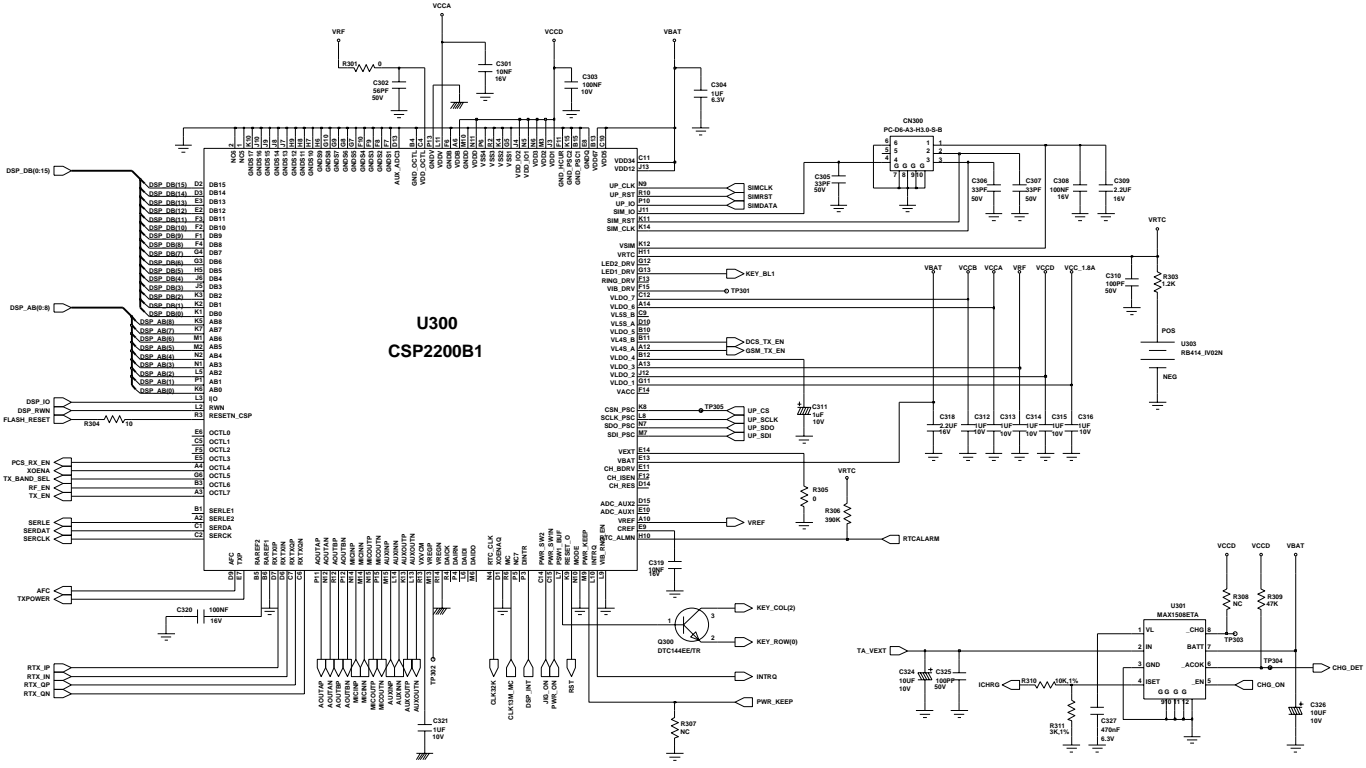


**U200**  
**TR09WQTK15IN3B-DT**

TR09WQTK15IN3B-DT



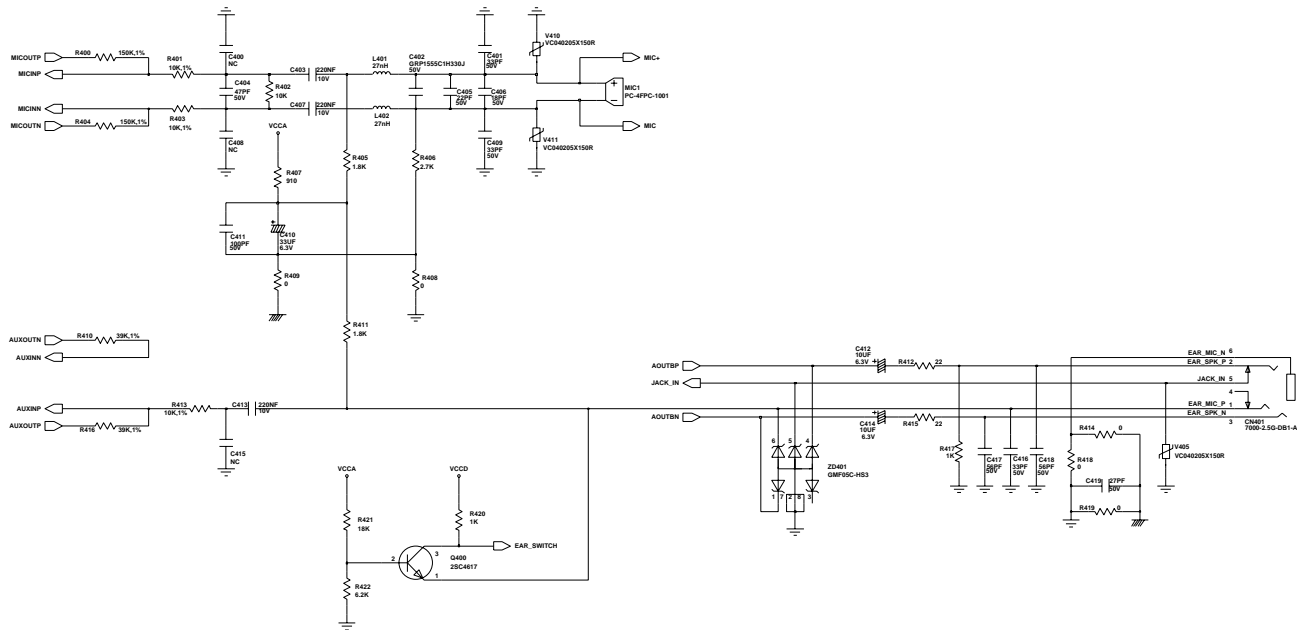
Part No.	U200
Rev.	1.0
Product Name	SGH-C210
Manufacturer	SAMSUNG ELECTRONICS



GEMINI

CHARGER

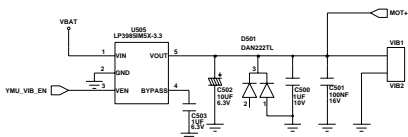
Engineer	SAMSUNG ELECTRONICS		
Drawn by			
RD/CHK	TITLE: <b>SGH-C210</b>		
DOC CTRL/CHK	Size A3		
MFG ENGR/CHK	<b>SGH-C210</b>		



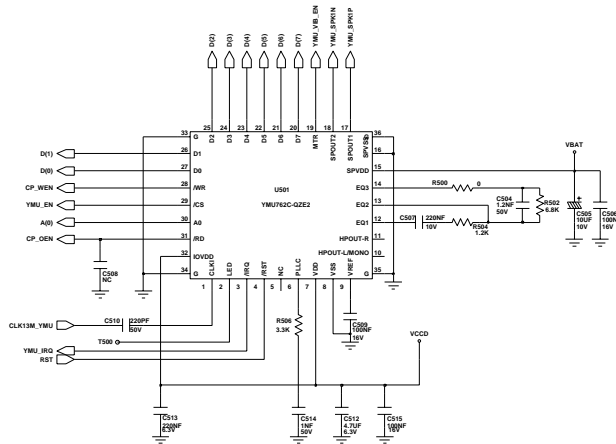
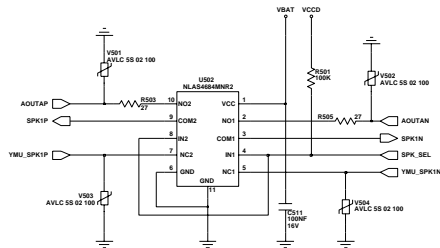
**AUDIO**

Engineer	<b>SAMSUNG ELECTRONICS</b>				
Drawn by					
RD/CHK				TITLE:	Size
DOC CTRL CHK				<b>SGH-C210</b>	AS
MFG ENGR CHK					

### VIBRATOR

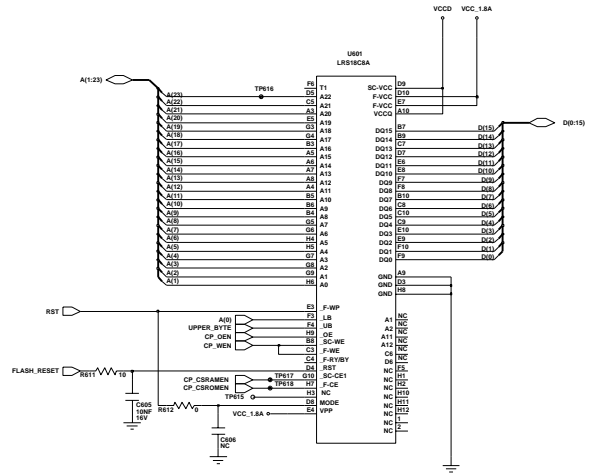
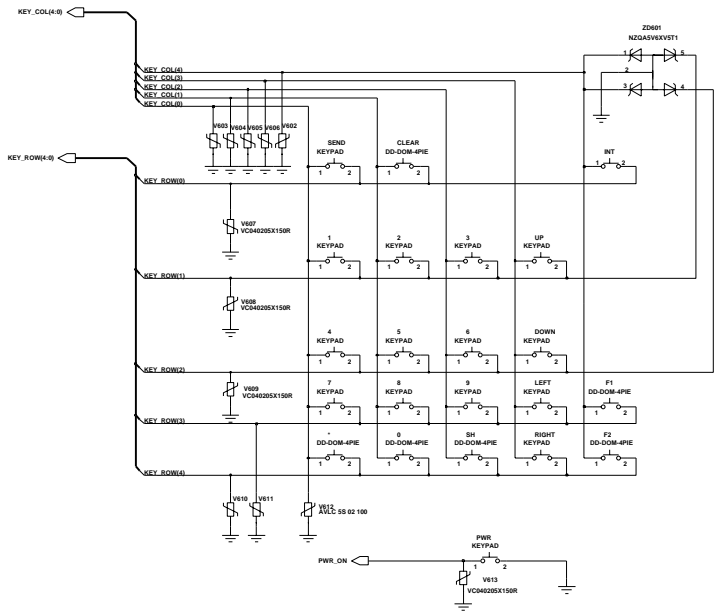
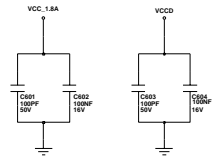
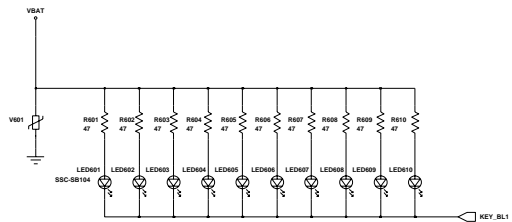


### SPEAKER



AUDIO

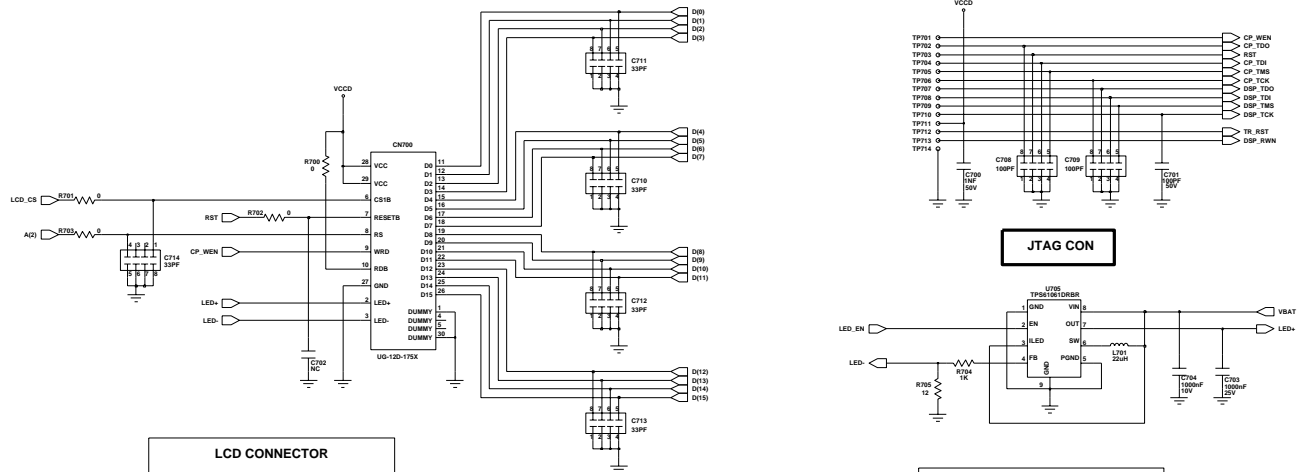
Engineer	<b>SAMSUNG ELECTRONICS</b>		Size A3	
Drawn by				
RAJ/CSK				TITLE:
DOC CTRL CHK				<b>SGH-C210</b>
MFG ENGR CHK				



MEMORY

Engineer	SAMSUNG ELECTRONICS		Size AS
Drawn by			
R&D CHK	TITLE:	SGH-C210	
DOC CTRL CHK			
MFG ENGR CHK			

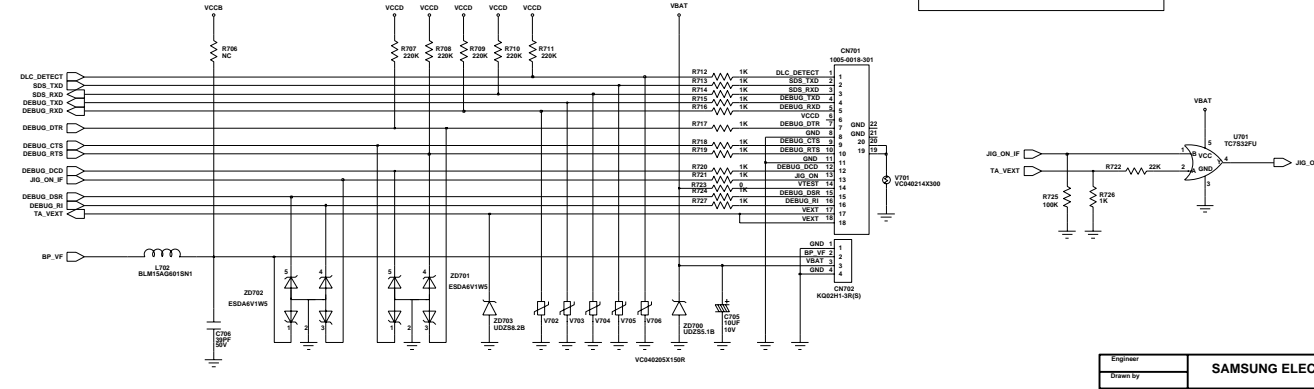




LCD CONNECTOR

JTAG CON

LCD BACKLIGHT



I/F CONNECTOR

Engineer	<b>SAMSUNG ELECTRONICS</b>		
Drawn by			
RAJ CNK	TITLE:	Size	
DOC CTRL CHK		AS	
MFG ENGR CHK	<b>SGH-C210</b>		