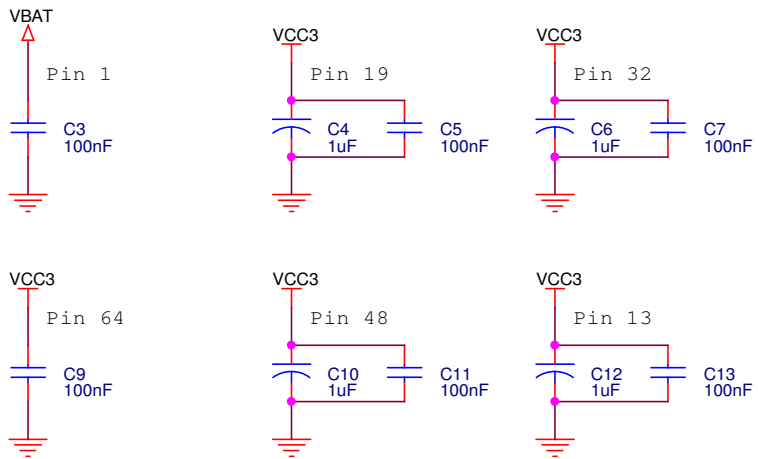
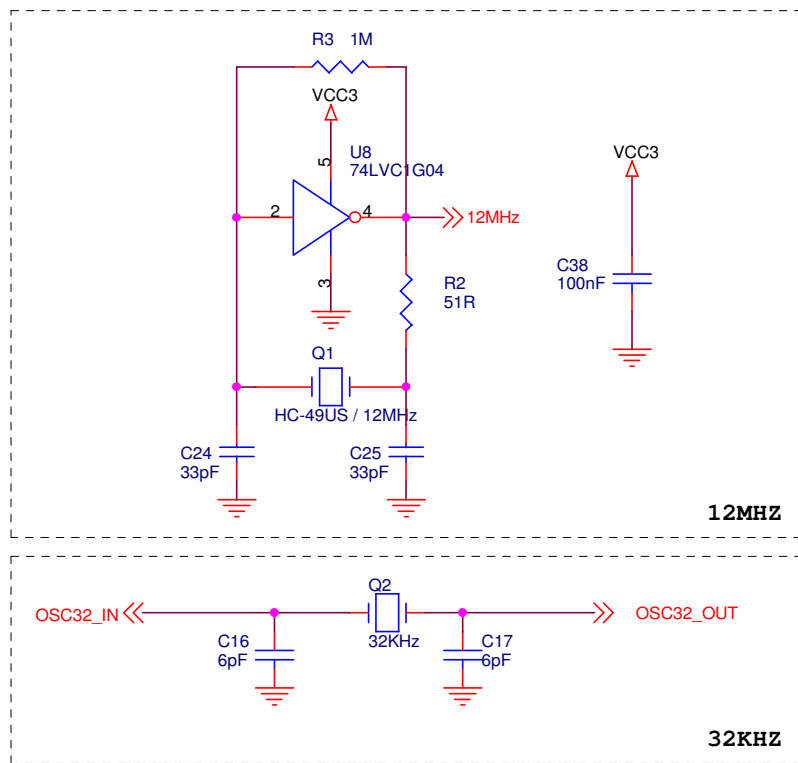


RAISONANCE SA 17 av Kuntzmann 38330 Monbonnot FRANCE		
Title STM32-Primer : STM3210		
Size A4	Document Number	Rev V1.2
Date: Thursday, August 02, 2007	Sheet 1	of 4

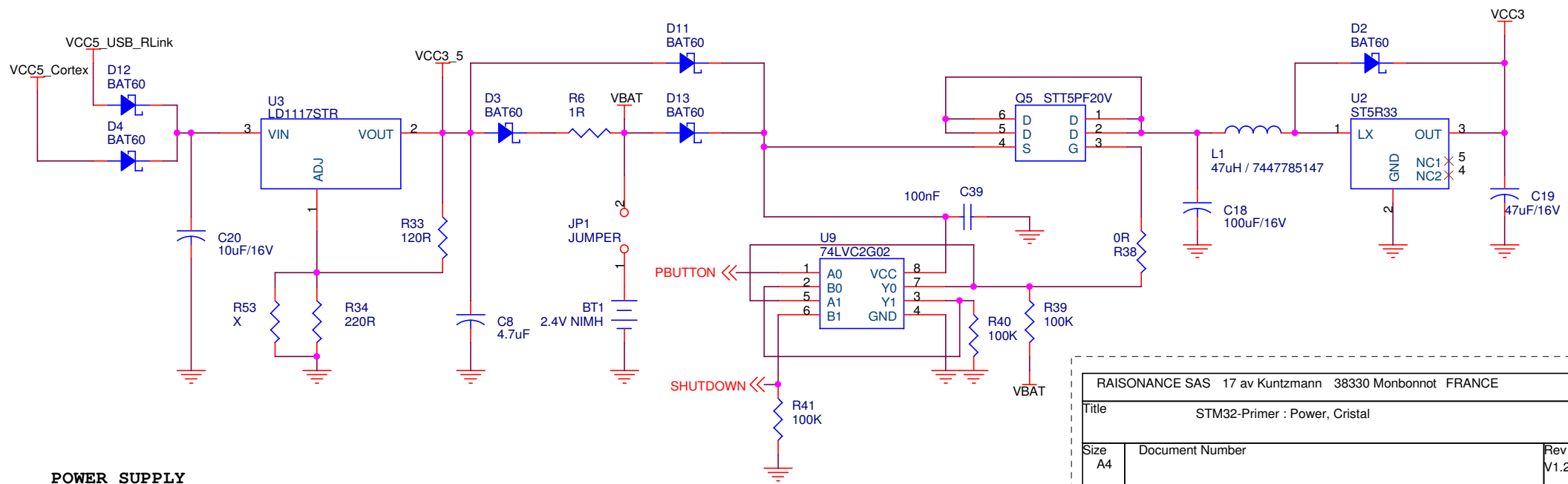


Decoupling for the 3.3V power supply



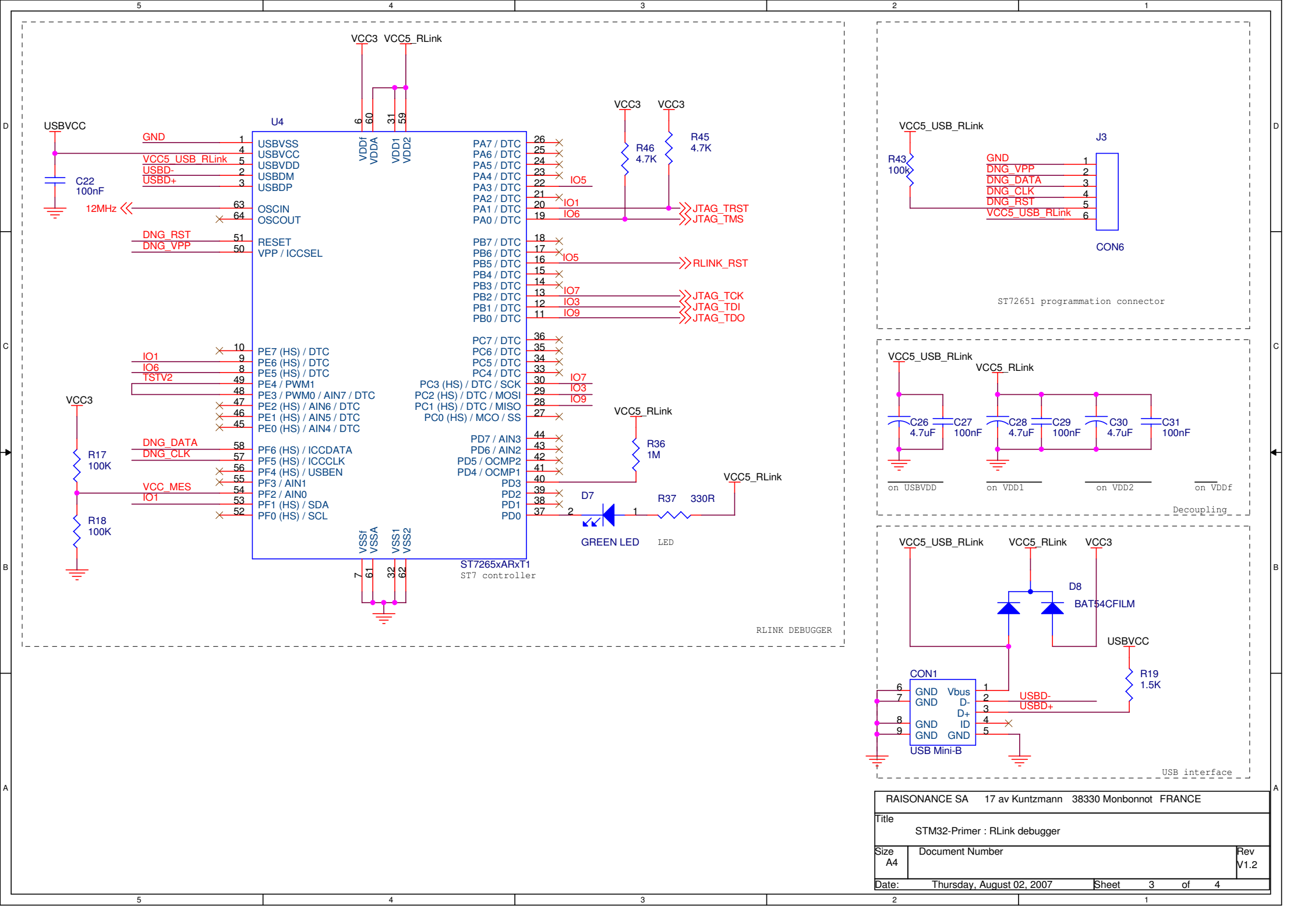
12MHZ

32KHZ

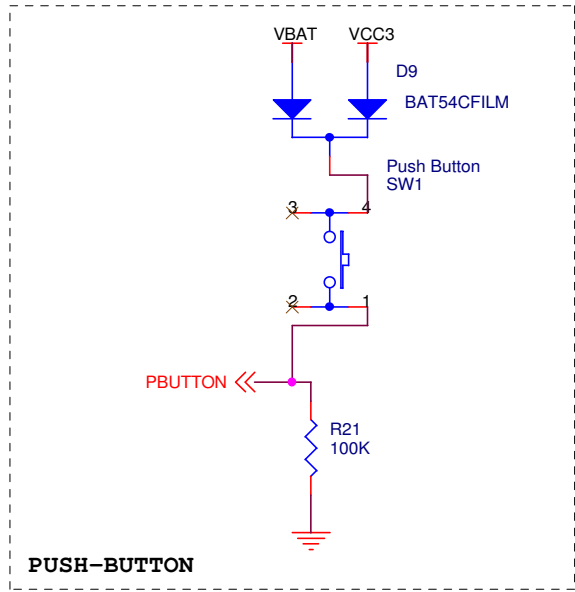


POWER SUPPLY

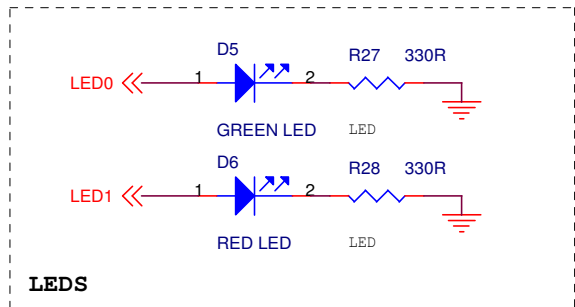
RAISONANCE SAS 17 av Kuntzmann 38330 Monbonnot FRANCE		
Title STM32-Primer : Power, Cristal		
Size A4	Document Number	Rev V1.2
Date: Thursday, August 02, 2007	Sheet 2	of 4



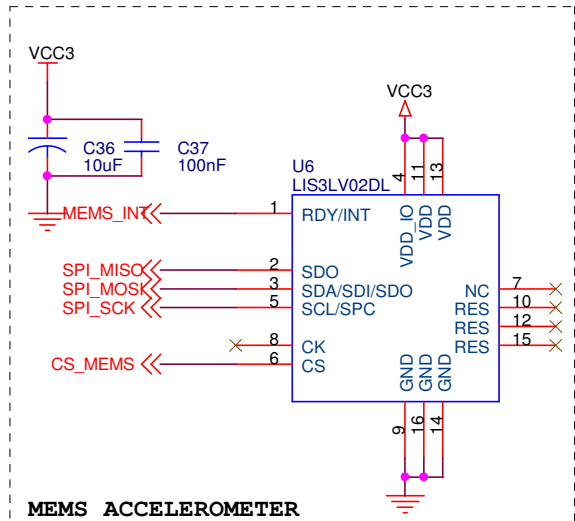
RAISONANCE SA 17 av Kuntzmann 38330 Monbonnot FRANCE	
Title STM32-Primer : RLink debugger	
Size A4	Document Number Rev V1.2
Date: Thursday, August 02, 2007	Sheet 3 of 4



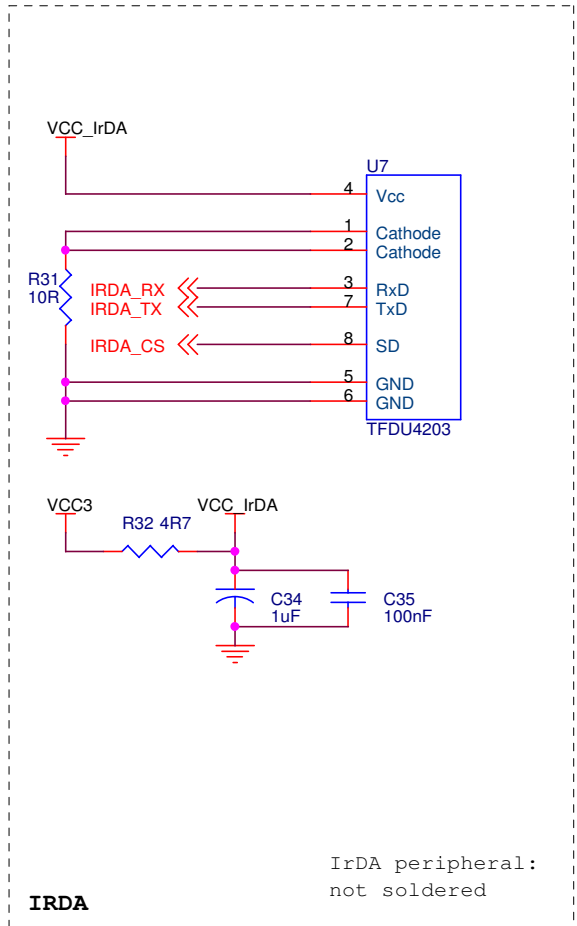
PUSH-BUTTON



LEDS

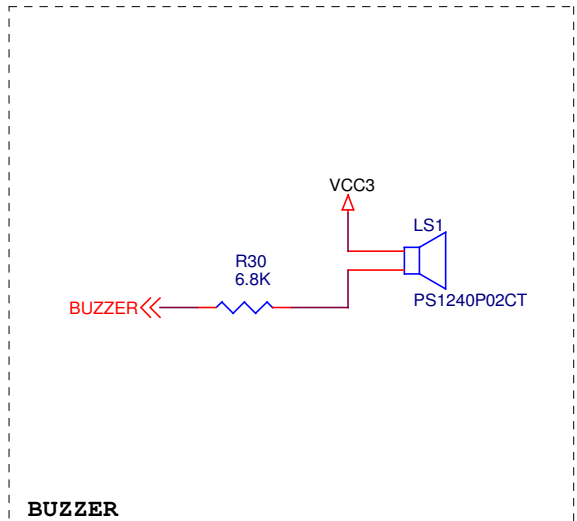


MEMS ACCELEROMETER

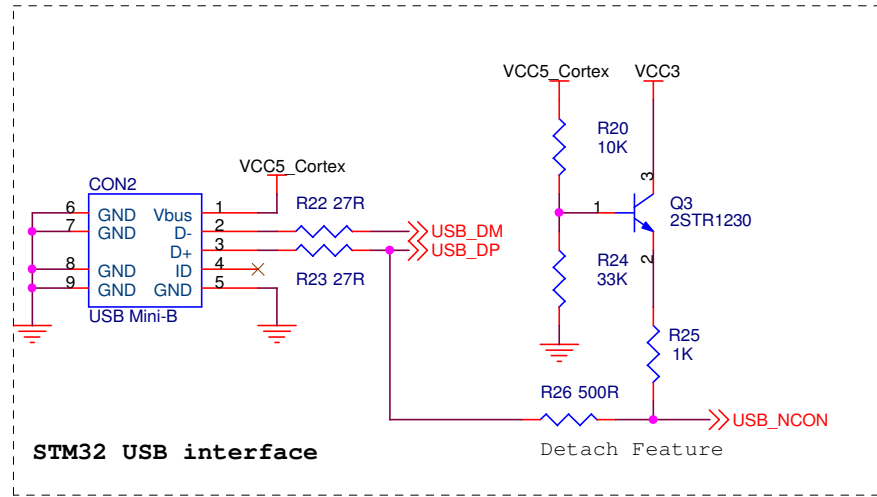


IRDA

IrDA peripheral:
not soldered

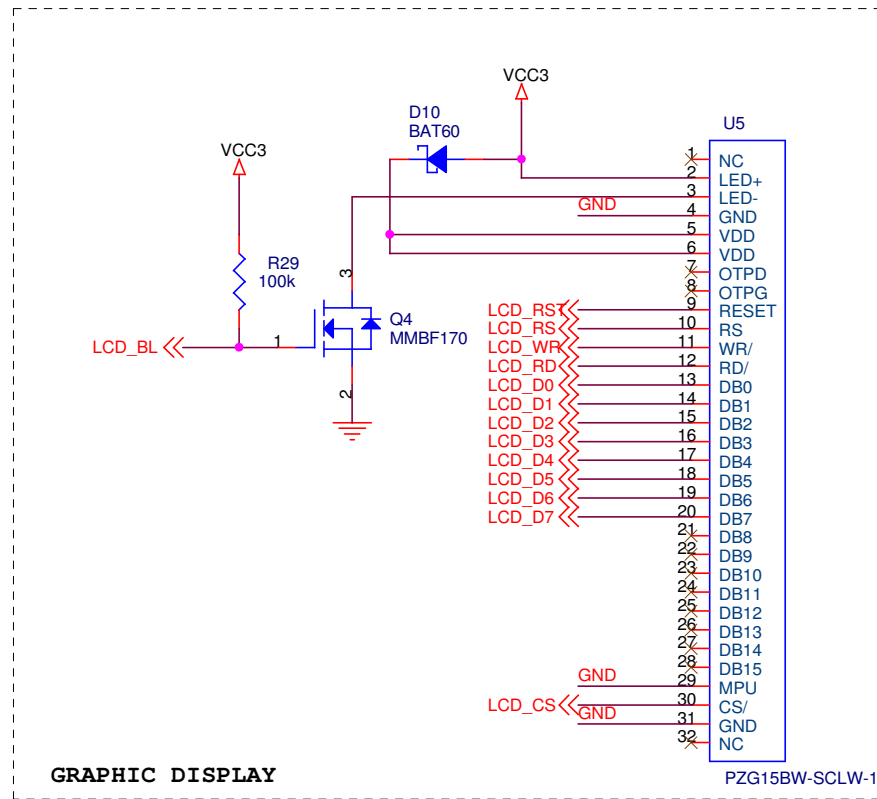


BUZZER



STM32 USB interface

Detach Feature



GRAPHIC DISPLAY

RAISONANCE SA 17 av Kuntzmann 38330 Monbonnot FRANCE		
Title STM32-Primer : Peripherals		
Size A4	Document Number	Rev V1.2
Date: Thursday, August 02, 2007	Sheet 4	of 4