

Service schematics

NOKIA C6-01

RM-601
RM-718



IMPORTANT

This document is intended for use by authorized Nokia service centers only. Please use the document together with other documents such as the Service Manual and Service Bulletins.

Version information

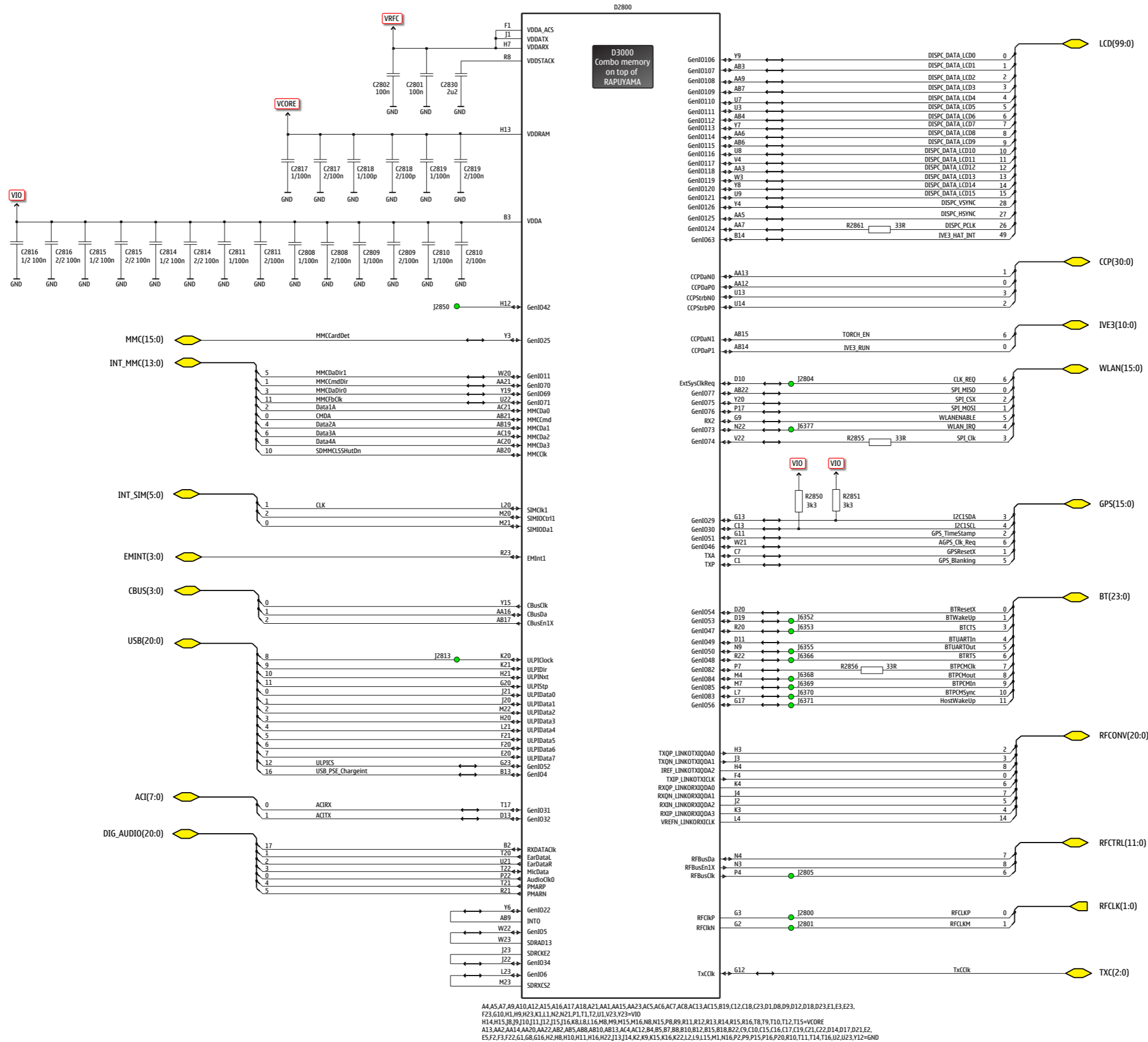
While every effort has been made to ensure that the document is accurate, some errors may exist. Please always check for the latest published version for this document.

If you find any errors in the document please send email to: service.manuals@nokia.com

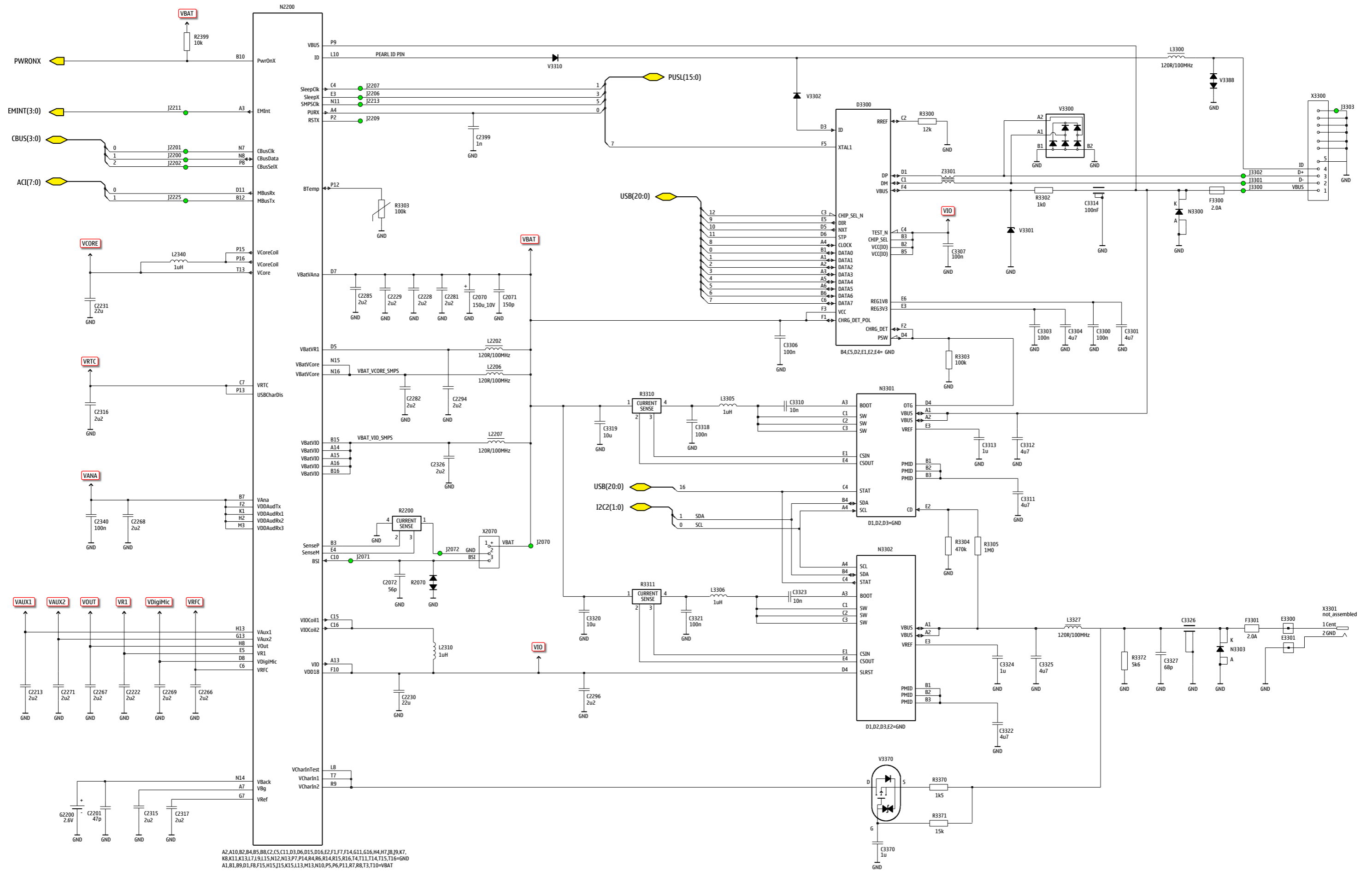
- 1.0 First approved version.
- 2.0 Fixed RM number information.
- 3.0 N1497 changed to N1476.
V3300 changed to N3300.

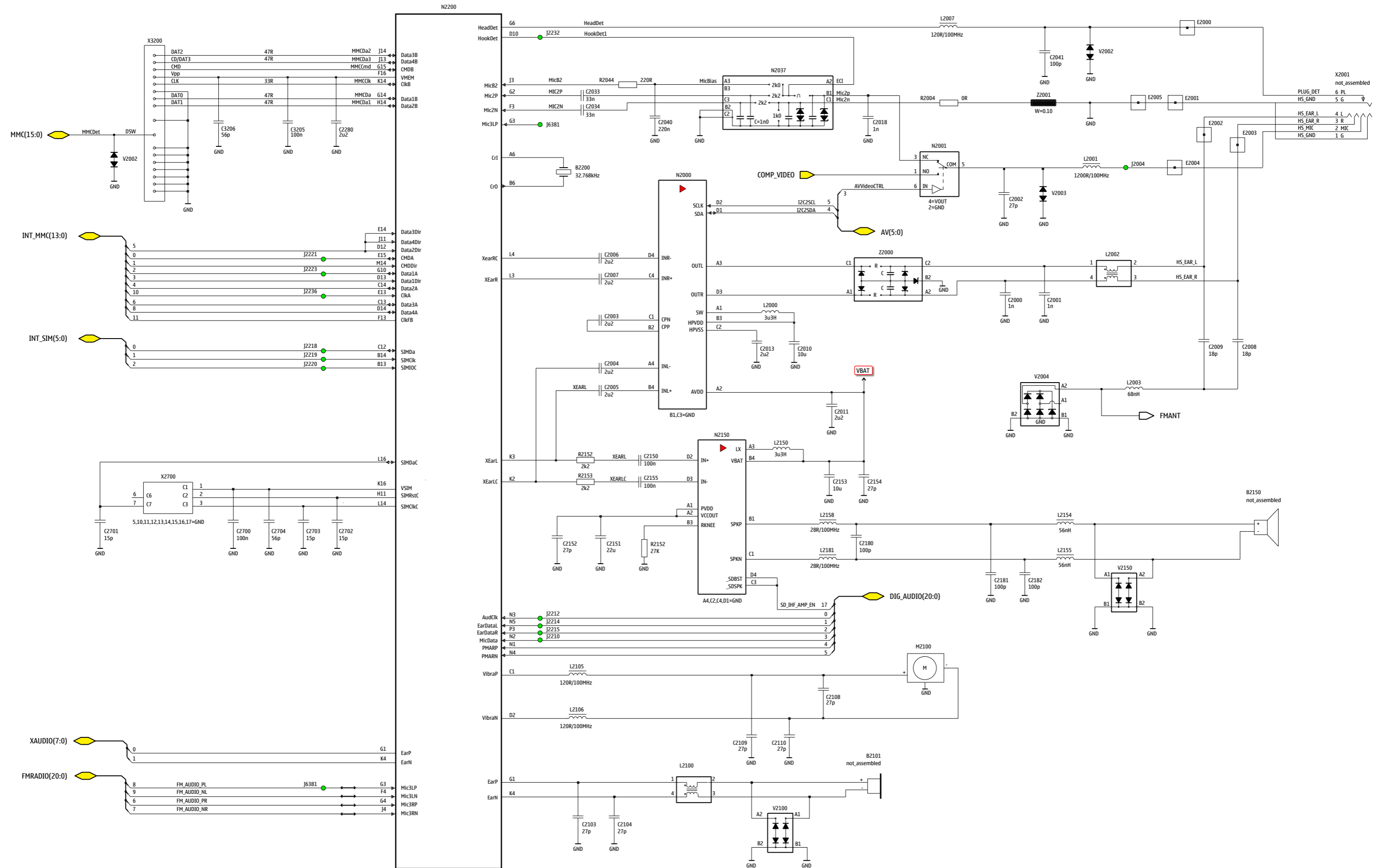
Contents

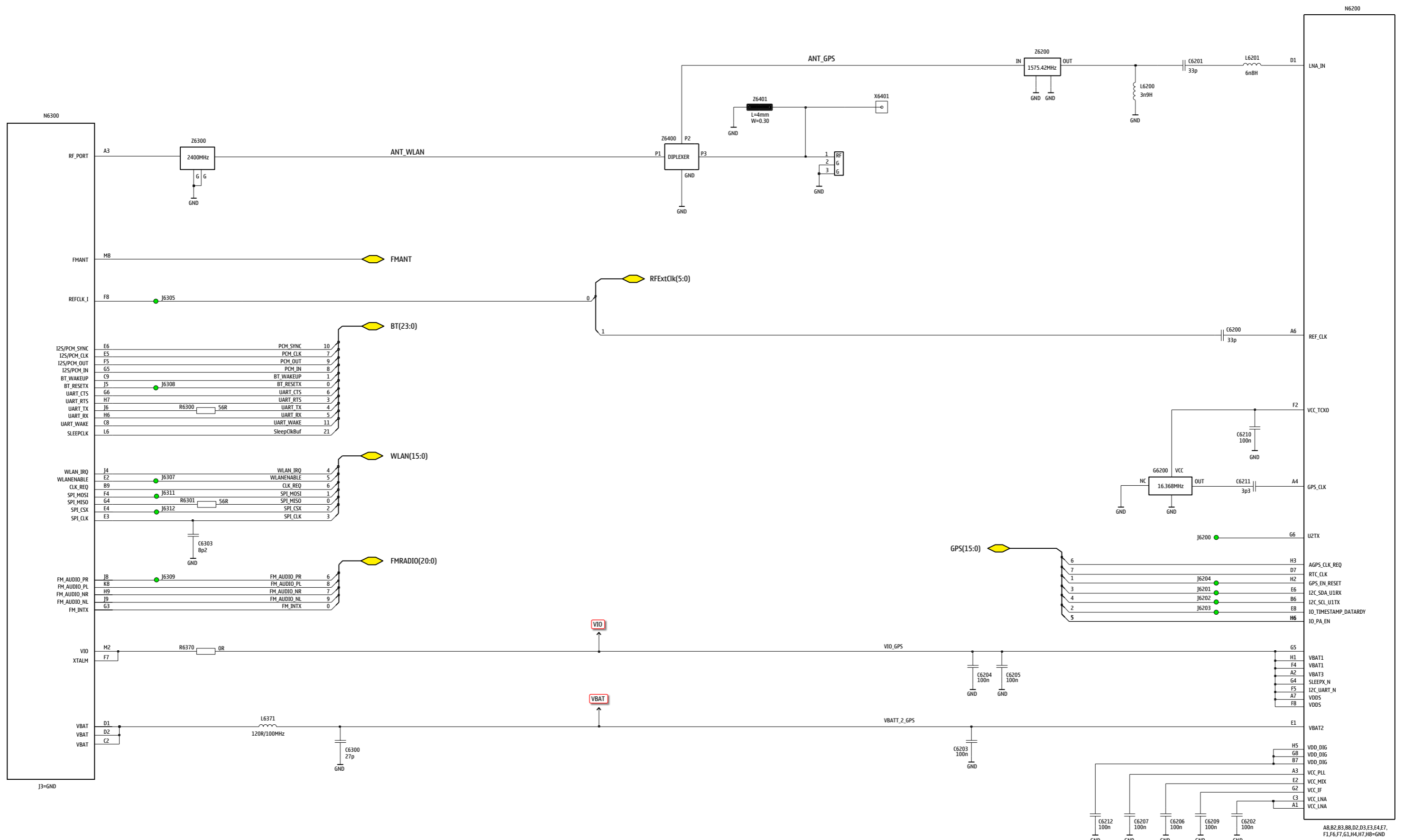
Front page	1
Imaging processor, Camera, Display IF, Camera LED flash	2
RAPS, Combo memory	3
RAPS, UI interface, UI interface flex board, Sensors, LEDs, Audio	4
GAZOO, Battery, HS USB	5
GAZOO, Audio, SIM, MMC, AV-connector	6
BTH FM, WLAN, GPS	7
RF part	8
Component finder top	9
Component finder bottom	10
Component finder UI interface flex board	11

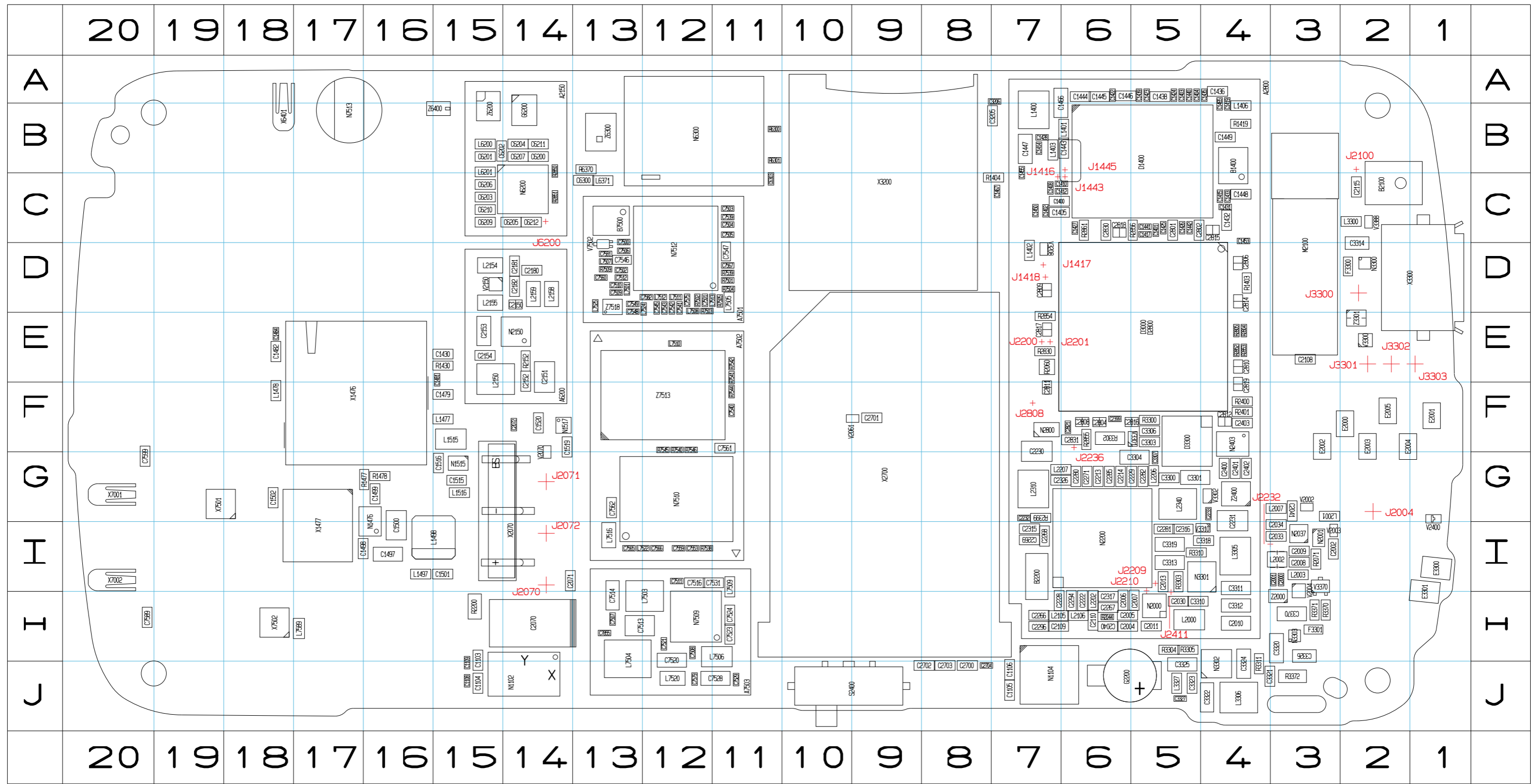


A4,A5,A7,A9,A10,A12,A15,A16,A17,A18,A21,A21,AA1,AA15,AA23,AC5,AC6,AC7,AC8,AC13,AC15,B19,C12,C18,C23,D11,D8,D9,D12,D18,D23,E1,E3,E23,
 F23,G10,H1,H9,H23,K11,N2,N21,P1,T1,T2,U1,V23,Y23=VIO
 H14,H15,J8,J9,J10,J11,J12,J13,J16,KR18,L16,MR,M9,M15,M16,N8,N15,P8,P9,R11,R12,R13,R14,R15,R16,T8,T9,T10,T12,T15=VCORE
 A13,AA2,AA14,AA20,AA22,AB2,AB5,AB8,AB10,AB13,AC4,AC12,B4,B5,B7,B8,B10,B12,B15,B18,B22,C9,C10,C15,C16,C17,C19,C21,C22,D14,D17,D21,E2,
 E5,F2,F3,F22,G1,G8,G16,H2,H8,H10,H11,H16,H22,J13,J14,K2,K9,K15,K16,K22,L2,L9,L15,M1,M16,P2,P9,P15,P16,P20,R10,T11,T14,T16,U2,U23,V12=GND

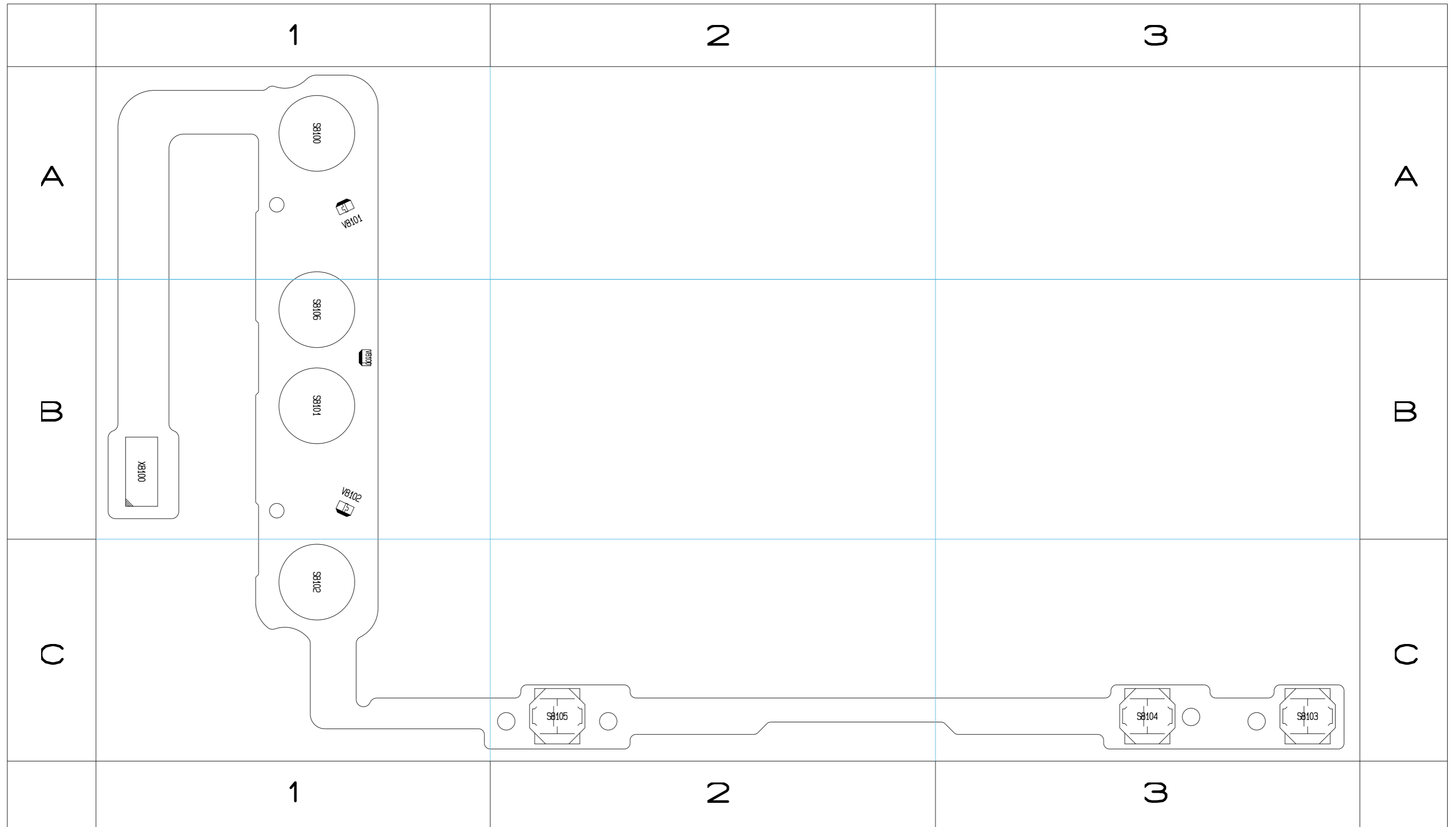








A	C1104	J15	C1414	B7	C1433	C4	C1449	B4	C1500	H16	C2008	H3	C2109	I7	C2228	I7	C2285	G6	C2702	J8	C2816	F5	C3307	G5	C3326	I3	C6212	C14	C7511	H12	C7541	D12	C7566	H12	E	G6200	B14	L2001	G3	L2310	G7	L7507	D13	M2100	D3	N3300	D2	R1477	G16	R2851	C14	R3370	I3	R7540	F12	V2150	D15	X2700	H9	Z6400	B15		
A2150	B14	C1105	J7	C1415	C4	C1435	A4	C1450	C7	C1501	H15	C2009	H3	C2110	I6	C2229	G5	C2294	I6	C2703	J8	C2817	E7	C3310	I5	C3327	J5	C6300	C13	C7512	D13	C7542	D12	C7567	D11	E2000	F1	L	L1400	B7	L2003	H3	L2340	G5	L7508	D12	N	N3301	H4	R1478	G16	R2852	E4	R3371	I3	R7541	E11	V2400	G1	X3200	C9	Z7513	F12
A2800	E5	C1106	J7	C1417	C5	C1436	A4	C1453	C4	C1502	G18	C2010	I4	C2115	C2	C2230	F7	C2296	I7	C2704	J8	C2818	C6	C3311	H4	C3370	I3	C6303	C11	C7513	I13	C7543	D12	C7575	D12	E2001	F1	L1400	B7	L2003	H3	L3300	C2	L7509	H11	N1102	J14	N3302	J4	R2044	I6	R2853	E4	R3372	J3	R7542	E11	V3208	D7	X3300	D1	Z7518	D13
A6200	E14	C1108	J15	C1419	B4	C1438	A5	C1455	B7	C1515	G15	C2011	I5	C2150	D14	C2231	G4	C2315	H7	C2801	C5	C2819	F4	C3312	I4	G6200	B14	C7500	C13	C7514	I13	C7545	D12	C7579	J12	E2002	F3	L1401	B6	L2007	G3	L3305	H4	L7510	E12	N1104	J7	N3303	I3	R2060	E7	R2854	E7	R6300	B11	R7544	F11	V3300	E2	X6401	B18		
A7501	D12	C1109	J15	C1422	A6	C1439	A5	C1465	B4	C1516	G15	C2013	H5	C2151	E14	C2232	G7	C2316	H5	C2802	C5	C2821	F6	C3313	H5	G6201	B15	C7501	D12	C7516	H12	C7546	D13	C7581	D13	E2003	F2	L1402	D7	L2105	I7	L3306	J4	L7511	D12	N1476	G16	N6200	C14	R2071	H3	R2855	F6	R6301	B11	R7545	F12	V3301	F5	X7001	G20		
A7502	F12	C1400	C7	C1423	A5	C1440	A5	C1466	A7	C1519	F14	C2030	I5	C2152	E14	C2233	G4	C2317	I6	C2804	F6	C2830	C6	C3314	D2	G6202	B15	C7502	D13	C7520	I12	C7547	D11	C7582	D12	E2004	F2	L1403	B7	L2106	I6	L3327	J5	L7512	D12	N1515	G15	N6300	B12	R2152	E14	R2856	C5	R6370	B13	R7546	F12	V3302	G4	X7002	H20		
A7503	I12	C1401	C5	C1424	A5	C1441	C5	C1467	C7	C1520	F14	C2033	H3	C2153	E15	C2266	I7	C2326	G7	C2806	D4	C2831	F6	C3318	H4	G6203	C15	C7503	C11	C7521	I12	C7548	D13	C7589	I20	E2005	F2	L1406	B4	L2150	E15	L6200	B15	L7513	D11	N1517	F14	N7509	I12	R2200	I15	R2861	C6	R7501	D11	S	V3310	H4	X7501	G19			
B	C1402	C7	C1425	C5	C1442	C5	C1479	F15	C2000	H3	C2034	H3	C2154	E15	C2267	I6	C2399	F6	C2808	F6	C3205	B7	C3319	H5	G6204	B14	C7504	C11	C7523	I11	C7549	D13	C7599	G20	E3300	H1	L1477	F15	L2154	D15	L6201	B15	L7516	H13	N2000	I5	N7510	G12	R2399	G7	R3300	F5	R7502	D12	S2400	J10	V3370	H3	X7502	I18			
B1400	B4	C1403	A5	C1426	C5	C1443	B6	C1481	E15	C2001	H3	C2040	I6	C2180	D14	C2268	H7	C2400	G4	C2809	D7	C3206	A7	C3320	I3	G6205	C14	C7505	C11	C7524	I11	C7553	H12	C7855	I13	E3301	I1	L1478	F18	L2155	D15	L6371	C13	L7520	J12	N2001	H3	N7512	D12	R2400	F4	R3302	F6	R7503	D12	V	V3388	C2	Z2000	I3			
B2100	C2	C1404	A5	C1427	C6	C1444	A6	C1482	E18	C2002	H3	C2041	G3	C2181	D14	C2269	H7	C2401	G4	C2810	E4	C3300	G5	C3321	J4	G6206	C15	C7506	D13	C7528	J11	C7559	H12	D	F	L1497	H16	L2158	D14	L7501	D13	L7522	H12	N2037	H3	R	R2401	F4	R3303	H5	R7504	D11	V2002	G3	V7502	D13	Z						
B2200	H7	C1405	C7	C1428	B7	C1445	A6	C1484	E18	C2004	I6	C2070	I4	C2182	D14	C2271	G6	C2402	G4	C2811	F7	C3301	G5	C3322	J4	G6207	B14	C7507	I13	C7529	J11	C7560	D13	D1400	B5	F3300	D2	L1498	H15	L2159	D14	L7503	I12	L7524	D12	N2150	E14	R1403	D4	R2804	E4	R3304	I5	R7505	D11	V2003	H3	X	Z2400	G4			
B7500	C13	C1408	C7	C1430	E15	C1446	A6	C1497	H16	C2005	I6	C2071	H14	C2213	G6	C2280	G6	C2403	F4	C2812	F4	C3303	F5	C3323	J5	G6209	C15	C7508	I12	C7531	H11	C7561	F11	D2800	E5	F3301	I3	L1515	F15	L2202	I6	L7504	I13	L7525	D13	N2200	H6	R1404	C7	R2805	E4	R3305	I5	R7509	D13	V2004	H3	X1476	F17	Z3301	E2		
C	C1410	C6	C1431	C4	C1447	B7	C1498	H17	C2006	I6	C2072	F14	C2214	G6	C2281	H5	C2700	J8	C2814	D4	C3304	G5	C3324	J4	G6210	C15	C7509	D13	C7539	C11	C7562	G13	D3000	E5	G	L1516	G15	L2206	G5	L7505	D11	L7589	I17	N2403	F4	R1419	B4	R2830	E7	R3310	H5	R7538	H12	V2061	F9	X1477	H17	Z6200	B15				
C1103	I15	C1412	C6	C1432	C4	C1448	C4	C1499	G16	C2007	I5	C2108	E3	C2222	I6	C2282	G5	C2701	F9	C2815	C4	C3306	F5	C3325	J5	G6211	B14	C7510	D13	C7540	F11	C7565	H13	D3300	F5	G2200	J6	L2000	I5	L2207	G7	L7506	I11	M	N2800	F7	R1430	E15	R2850	B14	R3311	J4	R7539	D11	V2070	G14	X2070	G14	Z6300	B13			



S	S8103	C3	V	X			
S8100	A1	S8104	C3	V8100	B2	X8100	B2
S8101	B2	S8105	C2	V8101	A1		
S8102	C1	S8106	B2	V8102	B2		