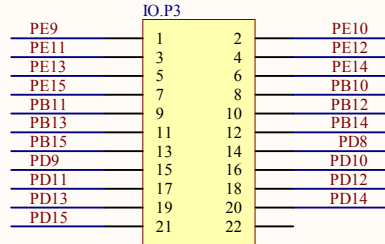
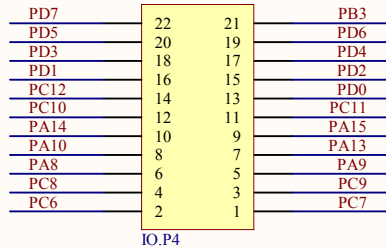
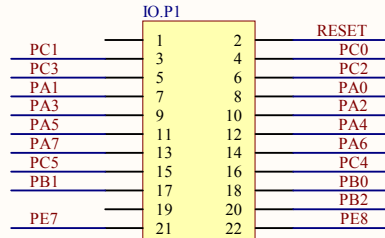
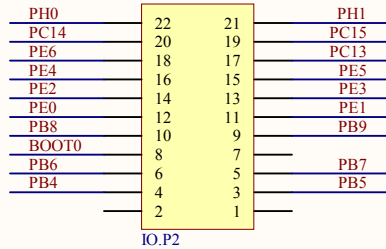
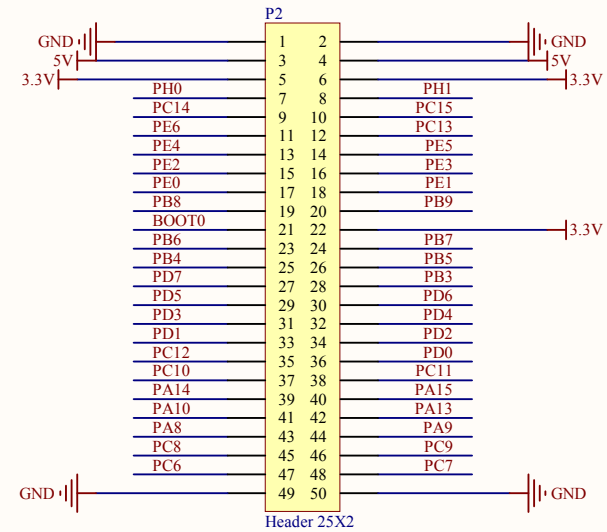


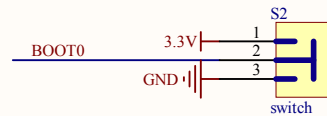
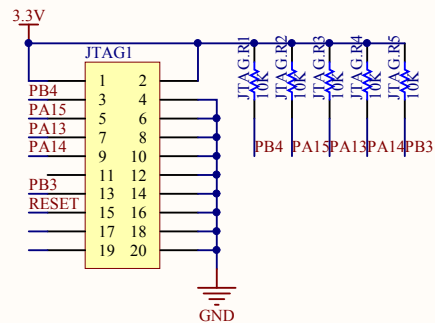
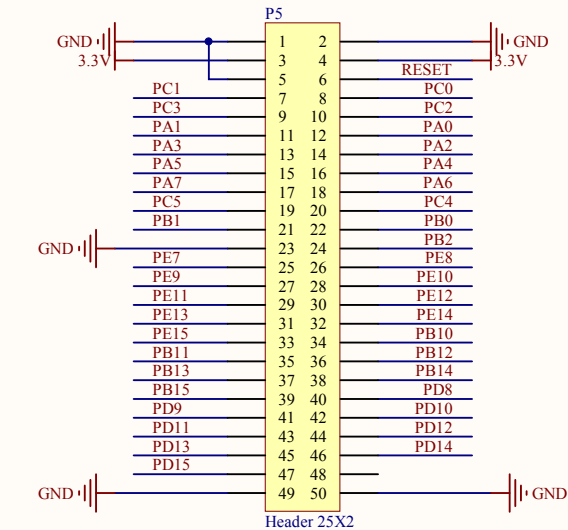
Title		
Size	Number	Revision
A3		
Date:	2012/6/8	Sheet of
File:	Exp(DB)_Interface_SchDoc	Drawn By:



## IO PORT

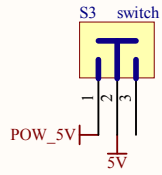
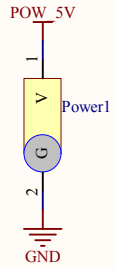


## MCU

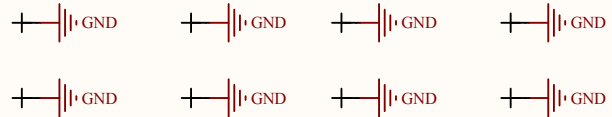
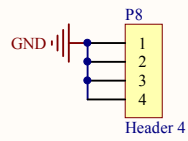
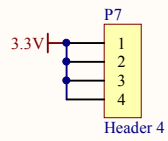
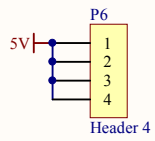
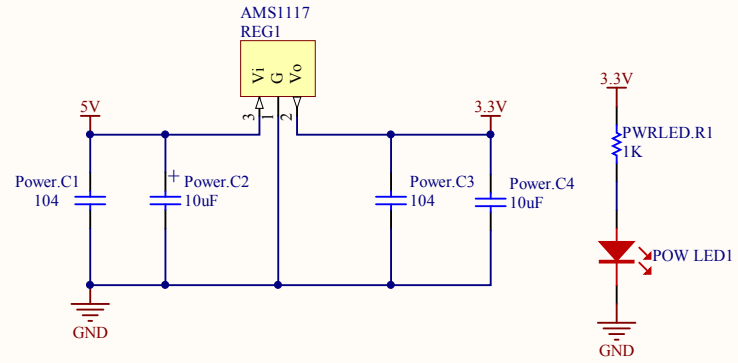


## 20PIN\_JTAG

Title			
Size	Number	Revision	
A4	Open407-D		
Date:	2012/6/8	Sheet of	
File:	E:\PCB\Open	Open407V-D\MCU Sch	Drawn By:



# POWER



Title		
Size A4	Number	Revision
Date: 2012/6/8	Sheet of	
File: E:\PCB\Open	\\Open407V-D\Power Sch	