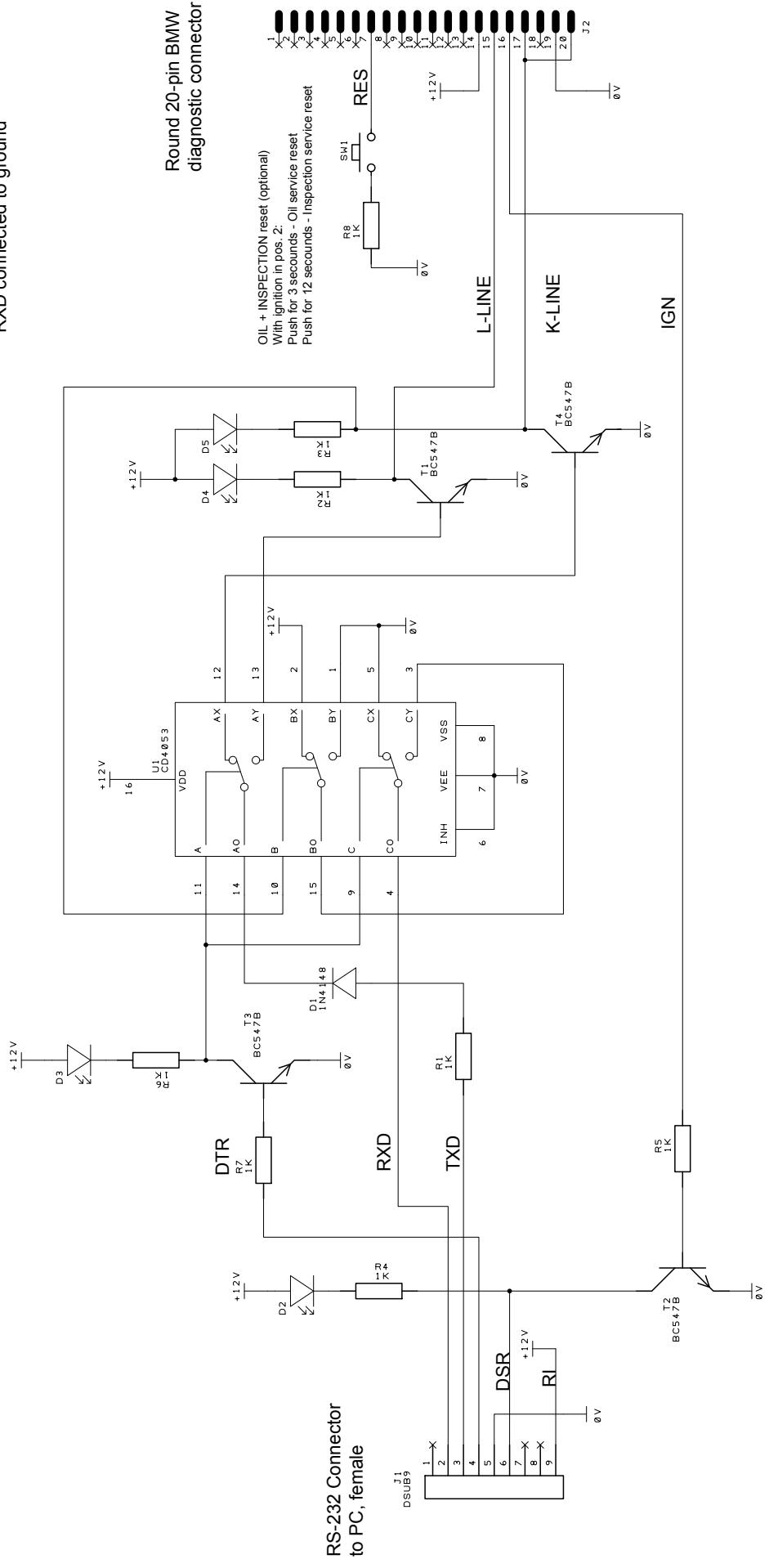


Switching:
 DTR=low: PIN15 (L-line) connected to TXD
 DTR=high: PIN 17/20 (K-line) connected to RXD
 DTR=high: PIN 17/20(K-line) connected to TXD
 RXD connected to ground

Round 20-pin BMW
 diagnostic connector



OIL + INSPECTION reset (optional)
 With ignition in pos. 2:
 Push for 3 seconds - Oil service reset
 Push for 12 seconds - Inspection service reset

Design	Hans Vaalund		
Check	Title		
Draw ref	BMW ADS interface		
Part nr	Rev 4	Page 1	off 1