

## 1. Technical specifications

For the technical specifications see Service Manual GFL7D AA (4822 727 21545).

## 2. Connection facilities

For the connection facilities see Service Manual GFL7D AA (4822 727 21545).

## 3. Safety instructions, Maintenance instruction, Warnings and Notes

For the safety instructions, maintenance instruction, warnings and notes see Service Manual GFL7D AA (4822 727 21545).

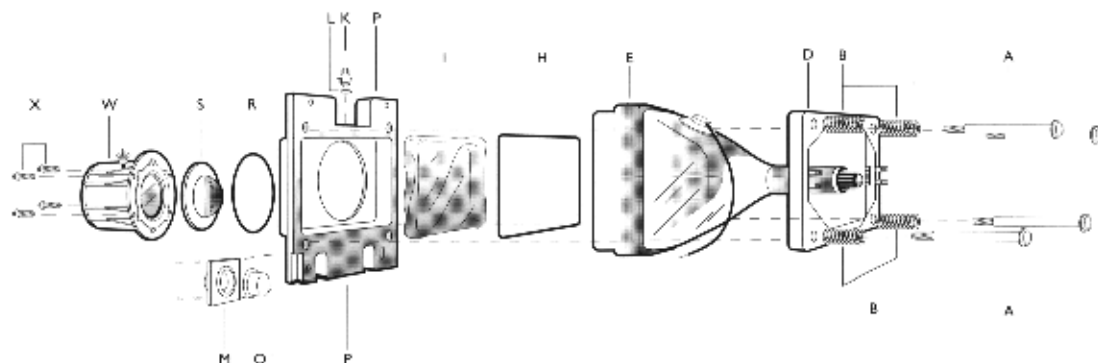
## 4. Mechanical instructions

For the mechanical instructions see Service Manual GFL7D AA (4822 727 21545).

### 4.1 Optical assembly replacement parts list

Ill. #	s	Part Number	Description
	s	2422 549 43801	Deflection Yoke (DAV4176MB) (x3)
	s	3135 010 00730	Focus Lead
	s	2322 460 90514	Focus/Screen Control (ASUP1159B)
	s	3135 010 00760	HV Anode Lead (x3)
		4835 157 58199	SVM Yoke (DBV4121M) (x3)
B		3135 011 00611	Compression Spring (x12)
E	s	4835 310 57436	CRT Red (P16LFM00RFA)
E	s	4835 310 57437	CRT Green (P16LFMOOHLA)
E	s	4835 310 57438	CRT Blue (P16LFM00BMB)
H		3135 013 02321	Seal, CRT (x3)
I		4835 310 67004	Coolant (Enough to do 1 CRT) 9E2694

I	4835 310 57233	Coolant (Enough to do 3 CRTs) 9E2694
K	3135 014 02640	Fill Plug (x3)
O	3135 013 01060	Expansion Diaphragm (x3)
M	3135 014 02680	Cover Diaphragm (x3)
P	3135 011 01930	Coupler Red & Blue 54" (0002)
P	3135 011 01940	Coupler, Red & Blue 60" (0003)
P	3135 011 02310	Coupler Red & Blue 48" (0001)
P	3135 011 02320	Coupler, Green
R	3135 013 01230	O-Ring Seal (x3)
R	3135 013 01240	O-Ring Seal (x3) (Lens To Coupler)
S	3135 013 01070	Lens, C-Element, Green
S	3135 013 01080	Lens, C-Element, Red & Blue (x2)
W	3135 013 00820	Lens, Main, Red & Green (x2)
W	3135 013 00900	Lens, Delta 79 Blue 60" (0003)
W	3135 013 01050	Lens, Main Blue (0001, 0002)

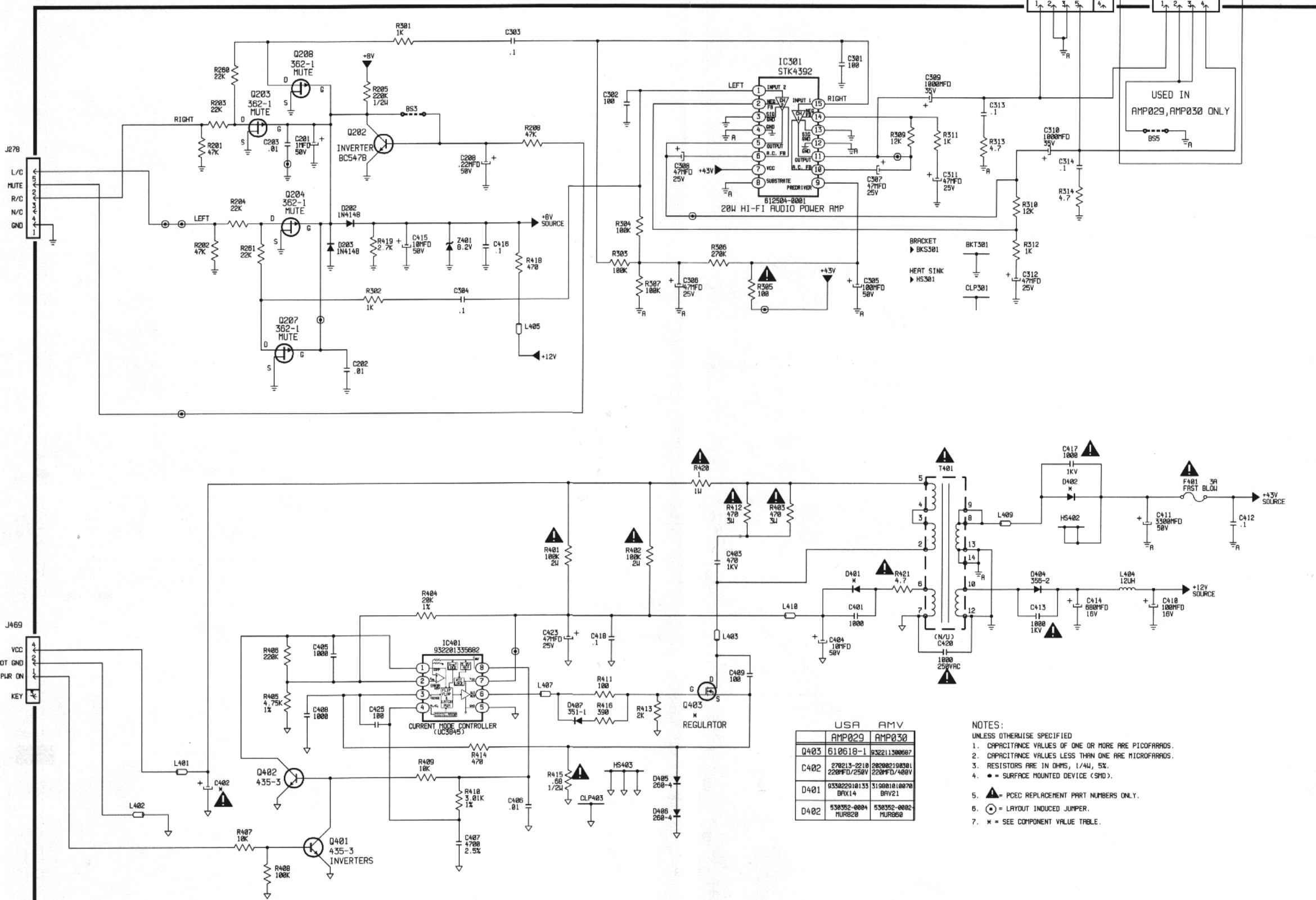


## 5. Wiring diagram / survey of testpoints

For the wiring diagram and survey of testpoints see Service Manual GFL7D AA (4822 727 21545).

## 6. Wiring diagram / survey of testpoints

For the wiring diagram and survey of testpoints see Service Manual GFL7D AA (4822 727 21545).

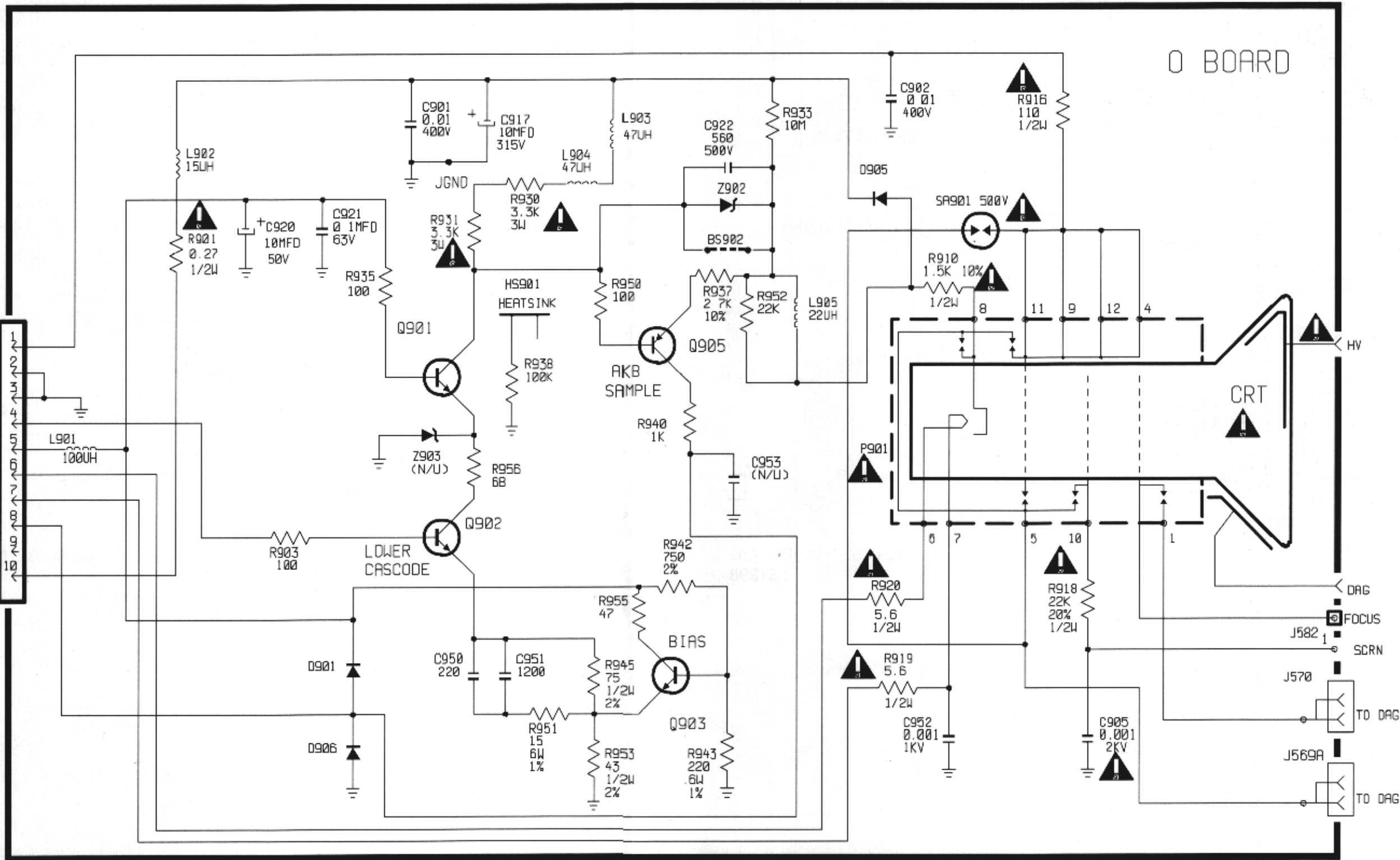


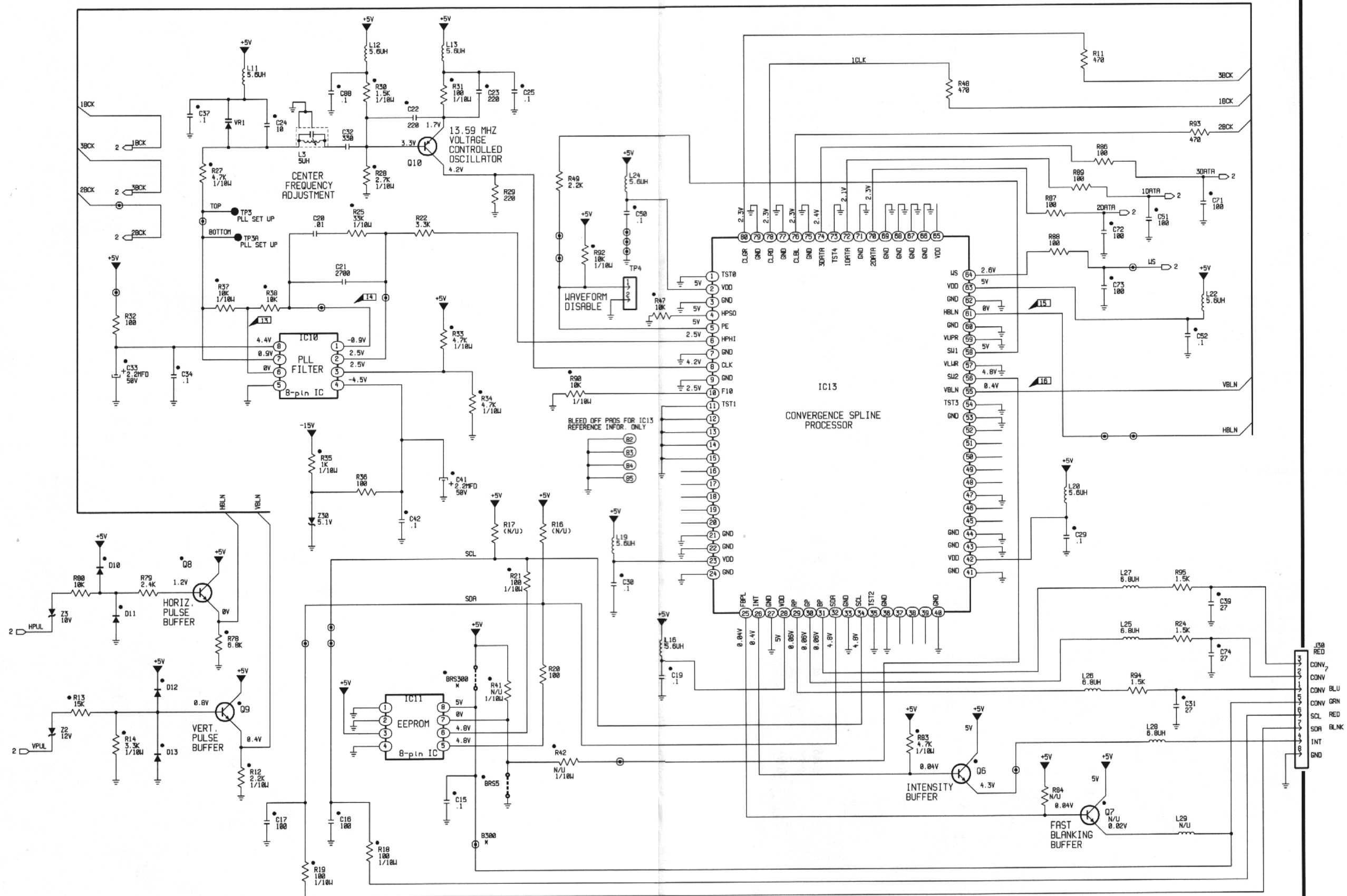
	USA	AMV
Q403	610618-1	932211308697
C402	270213-2210 220MFD/250V	282002198301 220MFD/400V
D401	933022910133 BRX14	319001010070 BRV21
D402	530352-0004 MUR820	530352-0002 MUR800

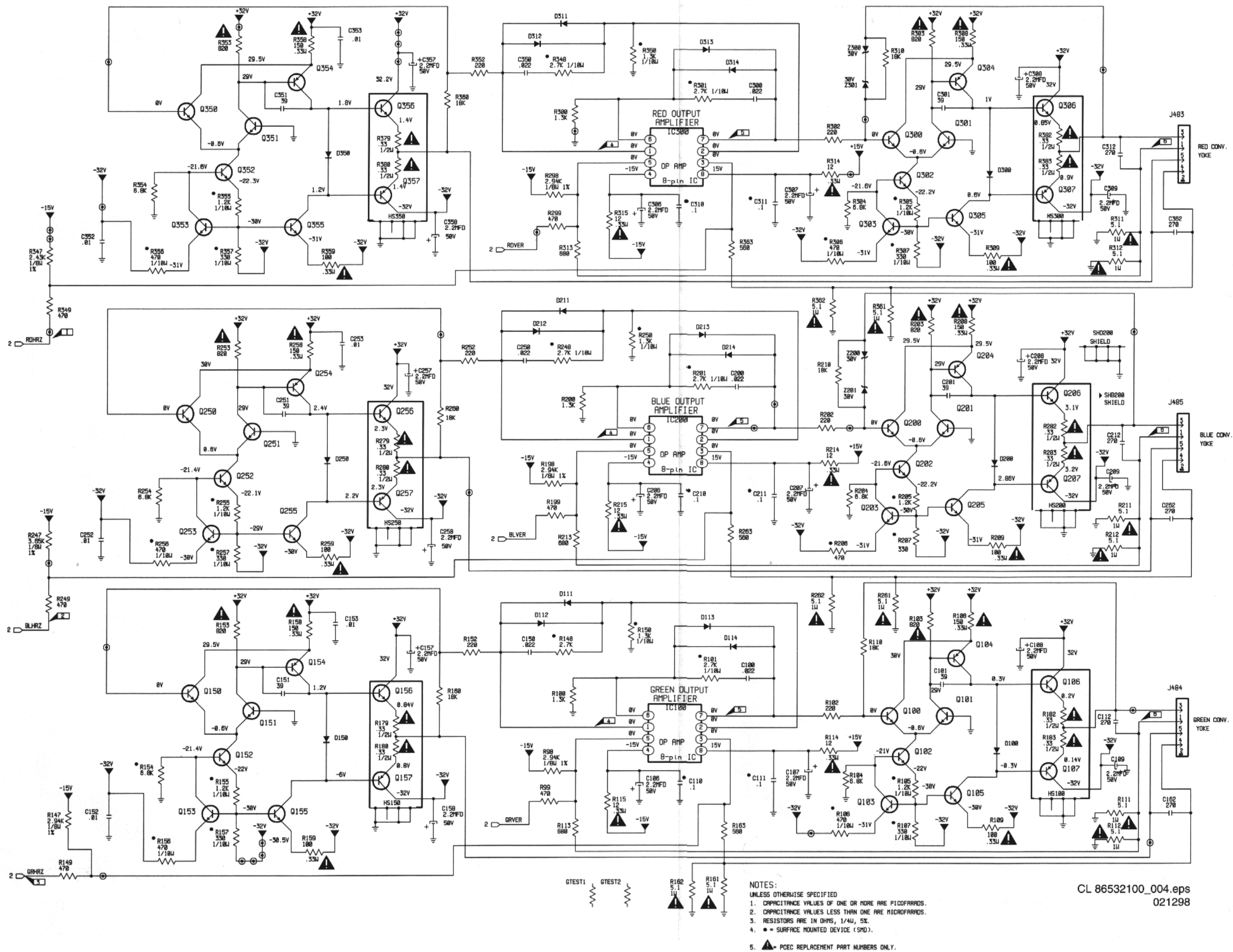
- NOTES:
- UNLESS OTHERWISE SPECIFIED
  - CAPACITANCE VALUES OF ONE OR MORE ARE PICOFARADS.
  - CAPACITANCE VALUES LESS THAN ONE ARE MICROFARADS.
  - RESISTORS ARE IN OHMS, 1/4W, 5%.
  - = SURFACE MOUNTED DEVICE (SMD).
  - ▲ = PCEC REPLACEMENT PART NUMBERS ONLY.
  - ⊙ = LAYOUT INDUCED JUMPER.
  - \* = SEE COMPONENT VALUE TABLE.

J658  
G1  
GND  
GND  
BLUE  
+12V  
FIL HI  
FIL LO  
IKB  
N/C  
240V

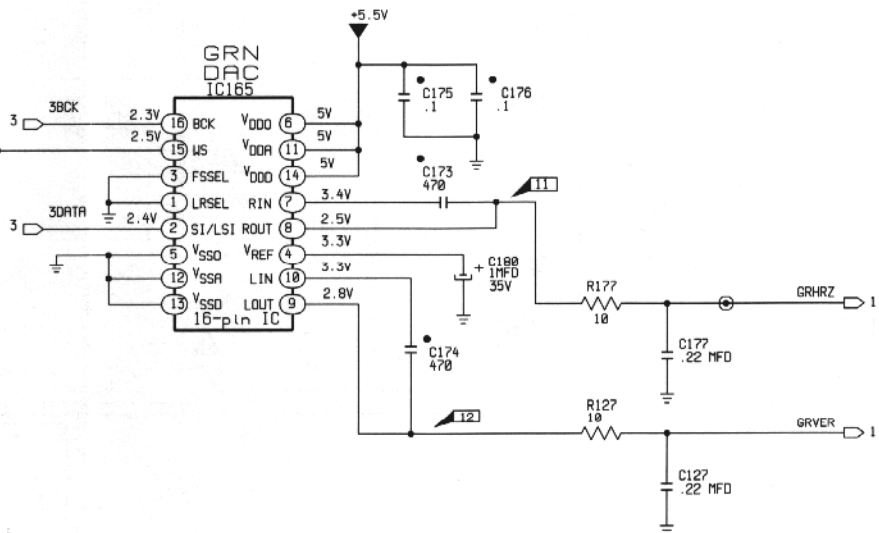
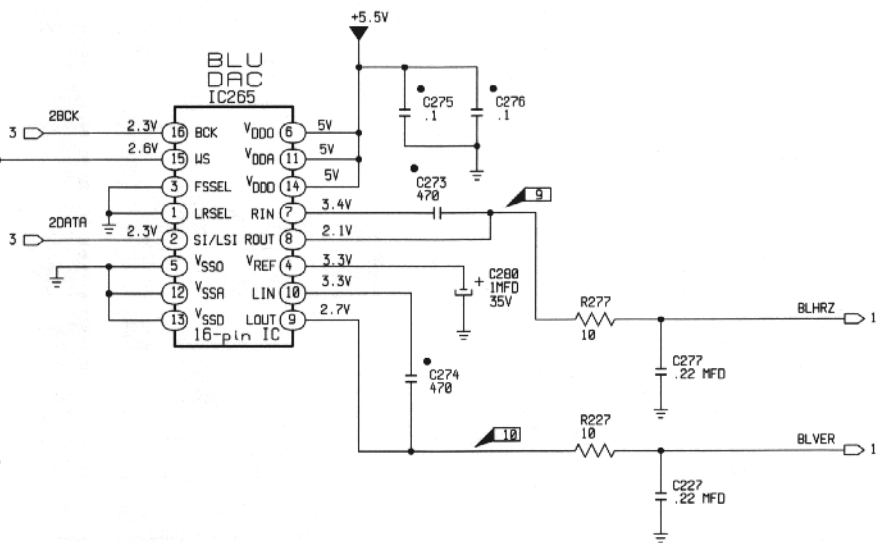
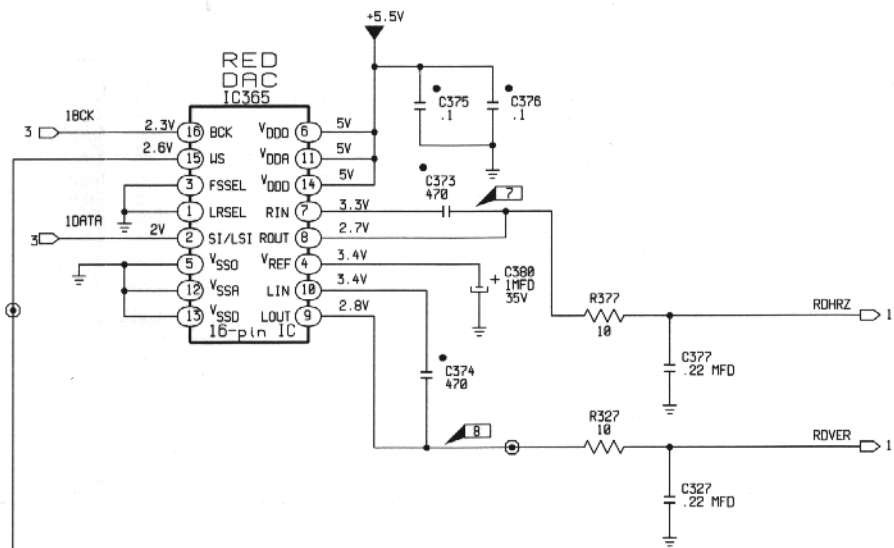
TO J658A ON  
GRN. CRT BD.



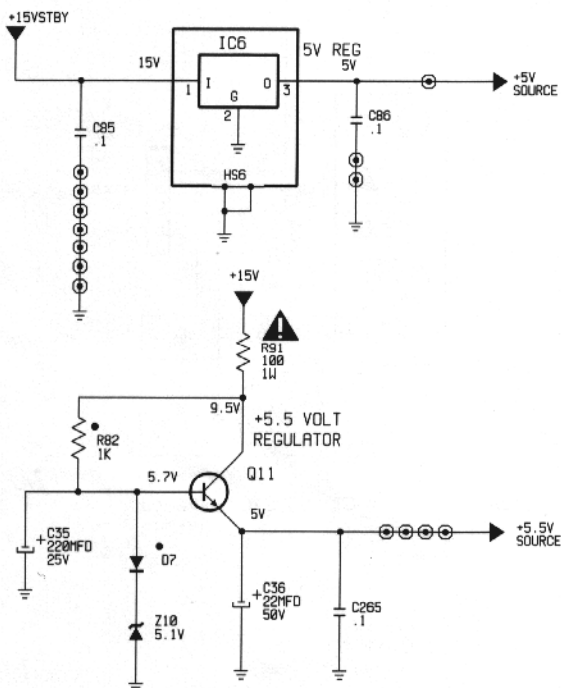
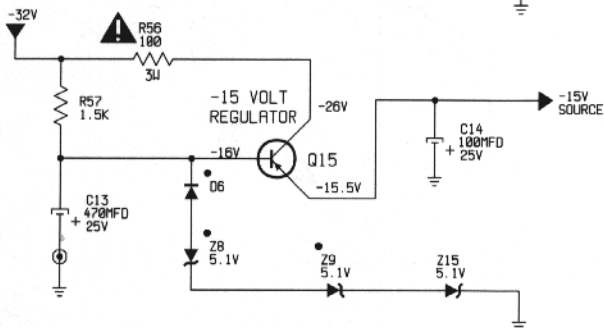
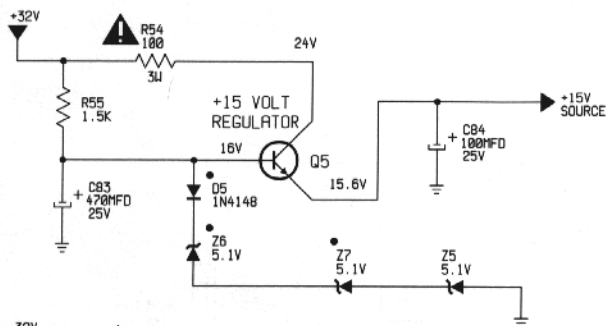
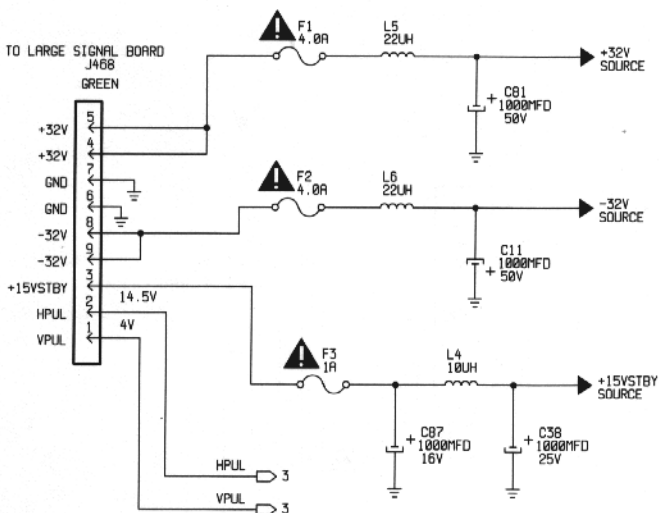




- NOTES:
1. CAPACITANCE VALUES OF ONE OR MORE ARE PICOFARADS.
  2. CAPACITANCE VALUES LESS THAN ONE ARE MICROFARADS.
  3. RESISTORS ARE IN OHMS, 1/4W, 5%.
  4. ● = SURFACE MOUNTED DEVICE (SMD).
  5. ▲ = PCEC REPLACEMENT PART NUMBERS ONLY.



# Digital convergence panel (Section 2)



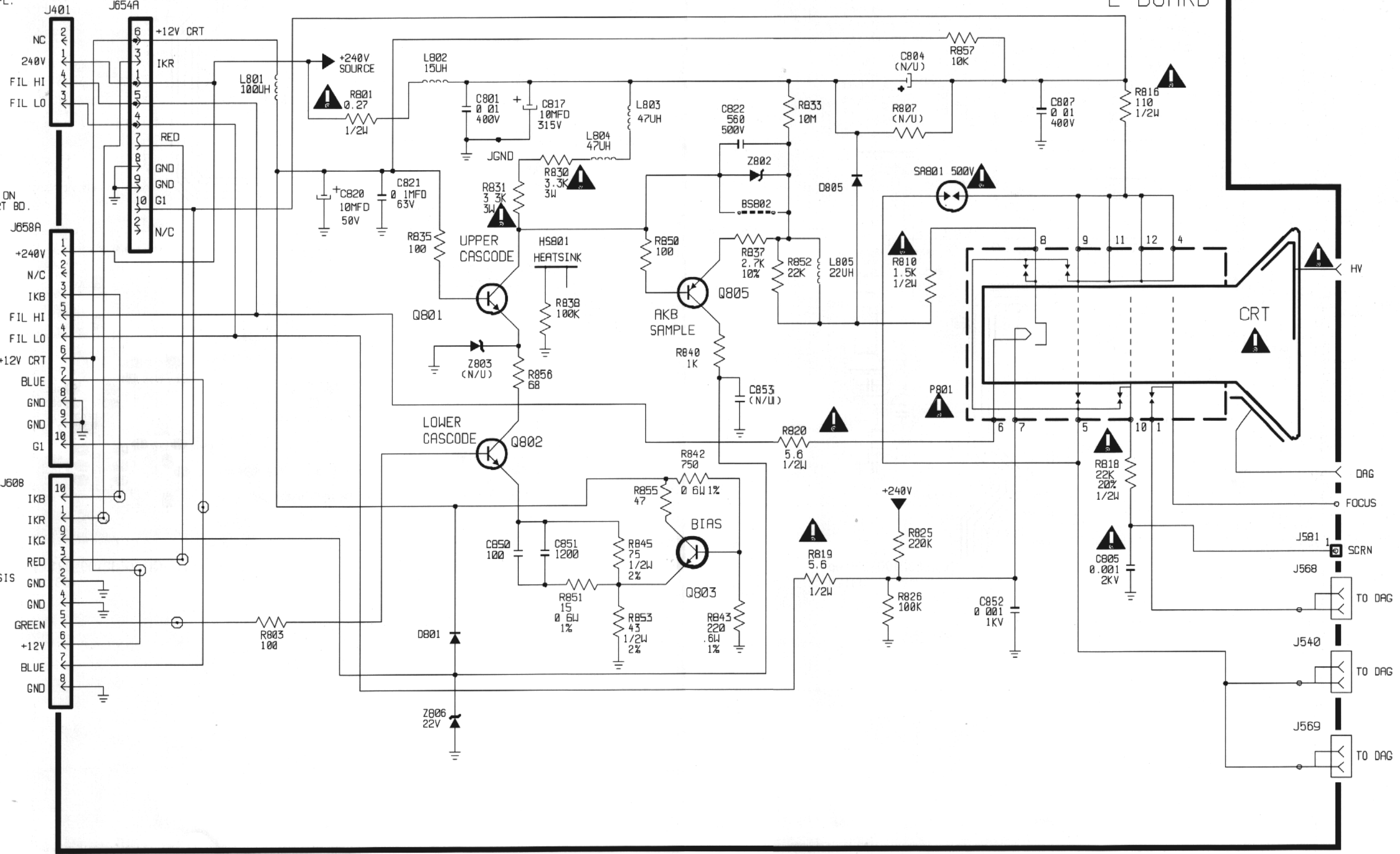
TO J401 ON POWER DEFL.

TO J658 ON BLUE CRT BD.

TO J608 MAIN CHASSIS

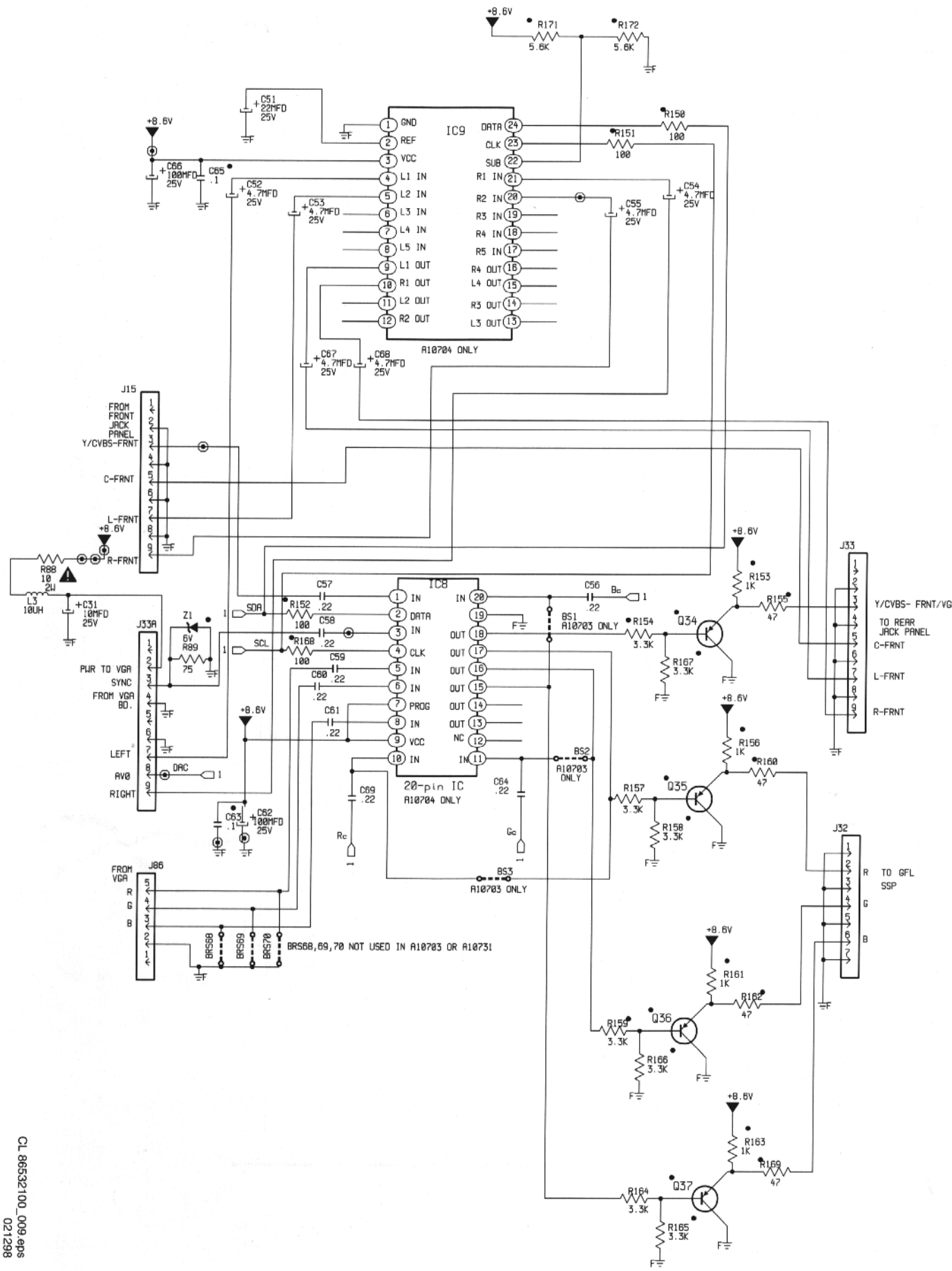
TO J654 ON RED CRT

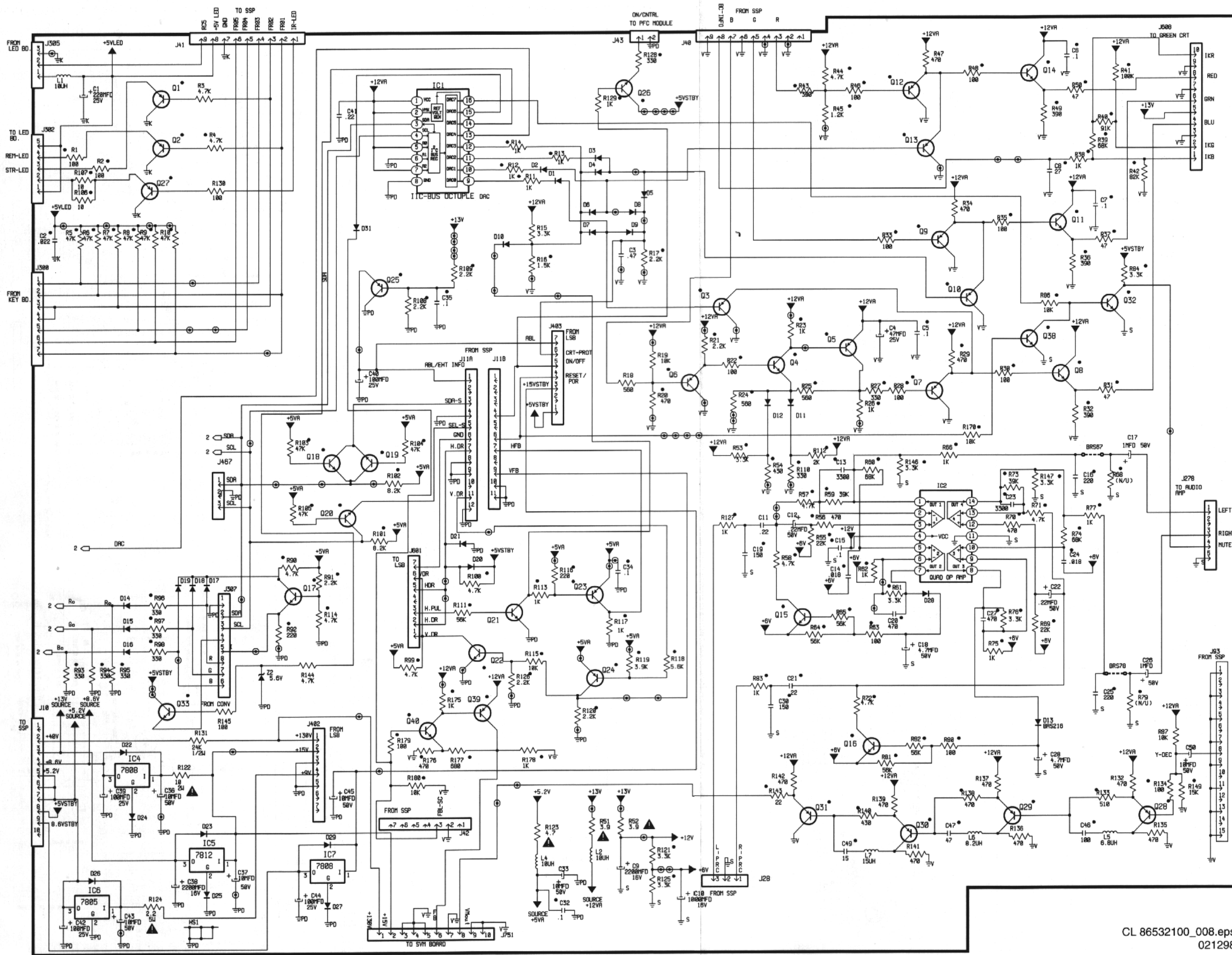
E BOARD

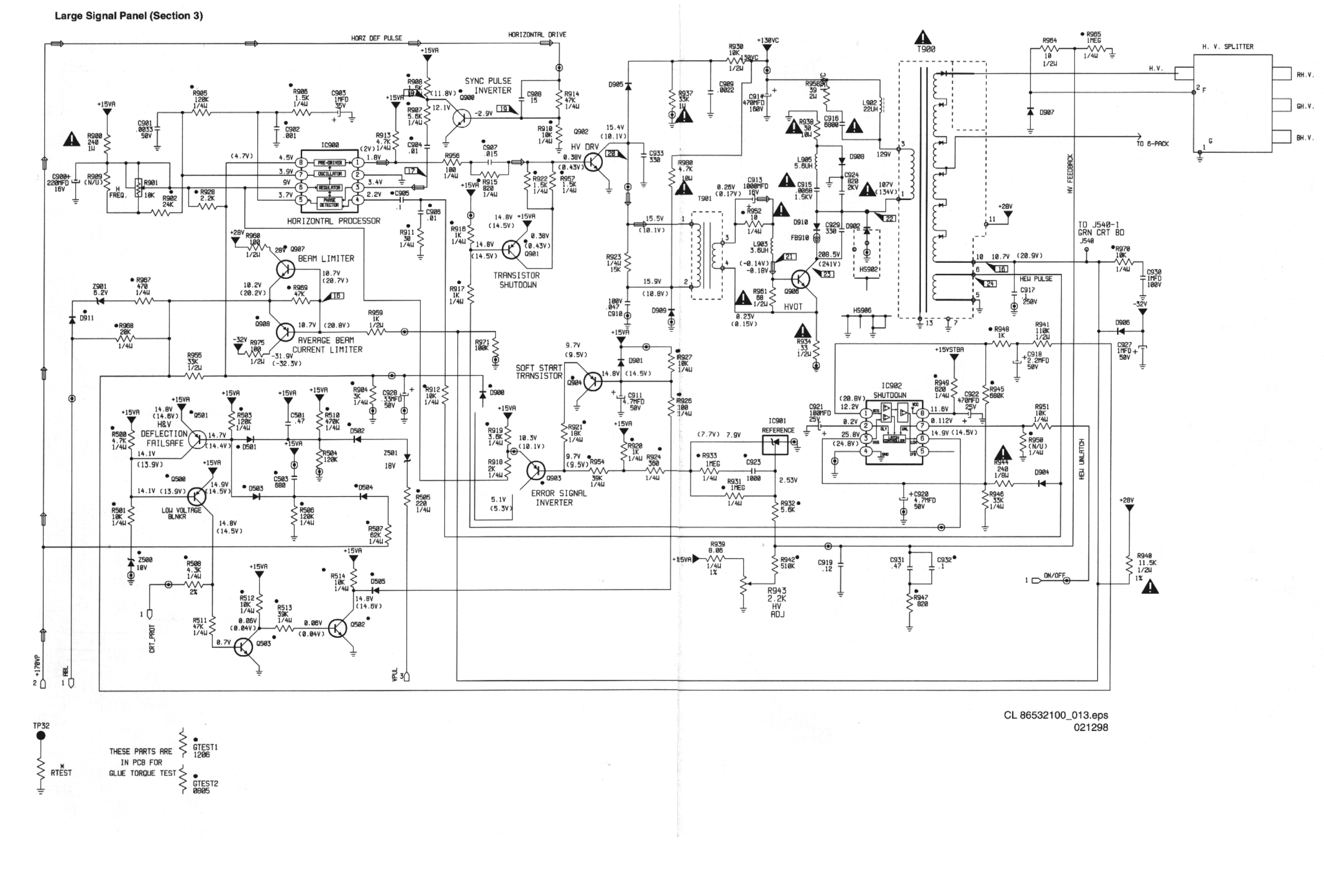
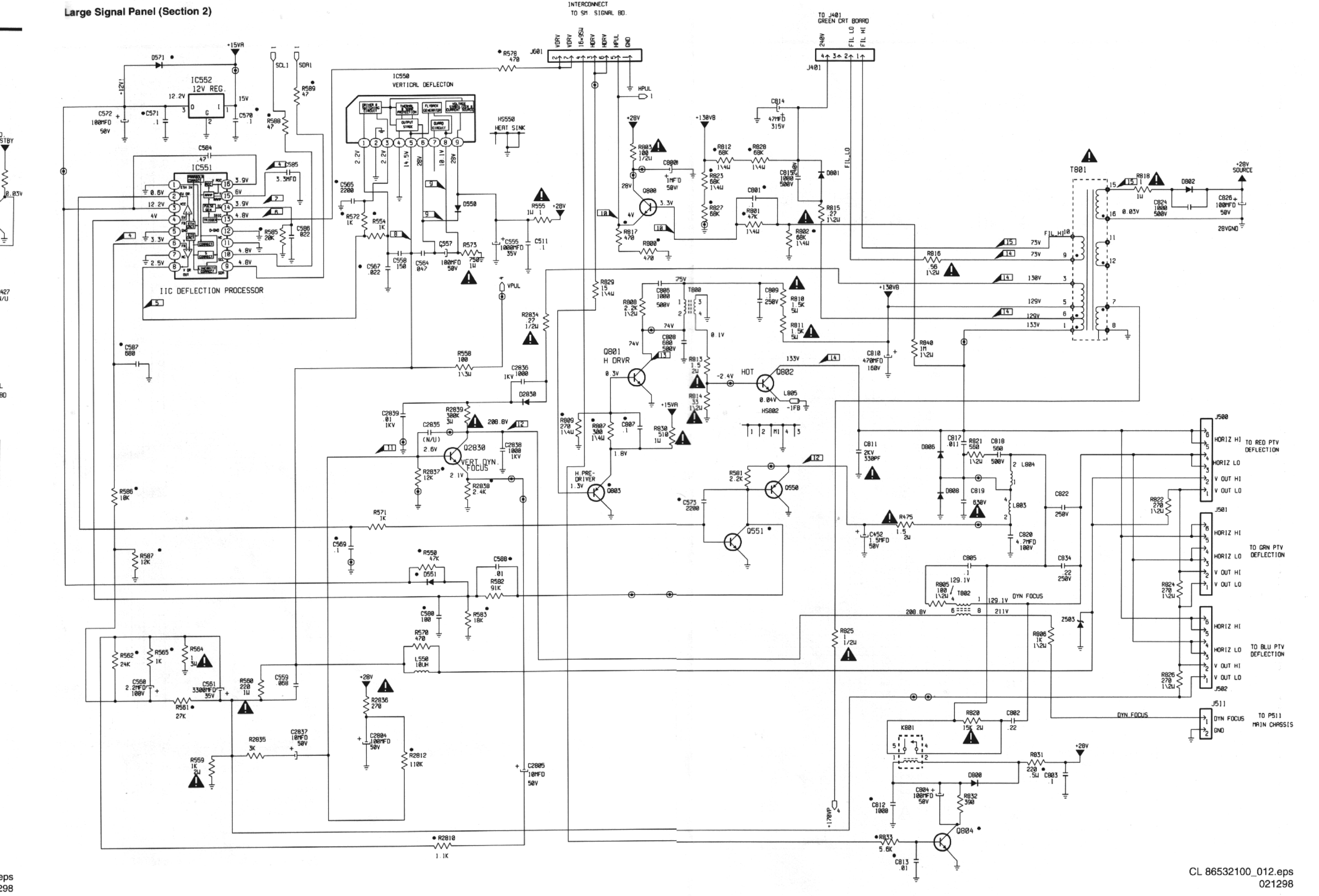
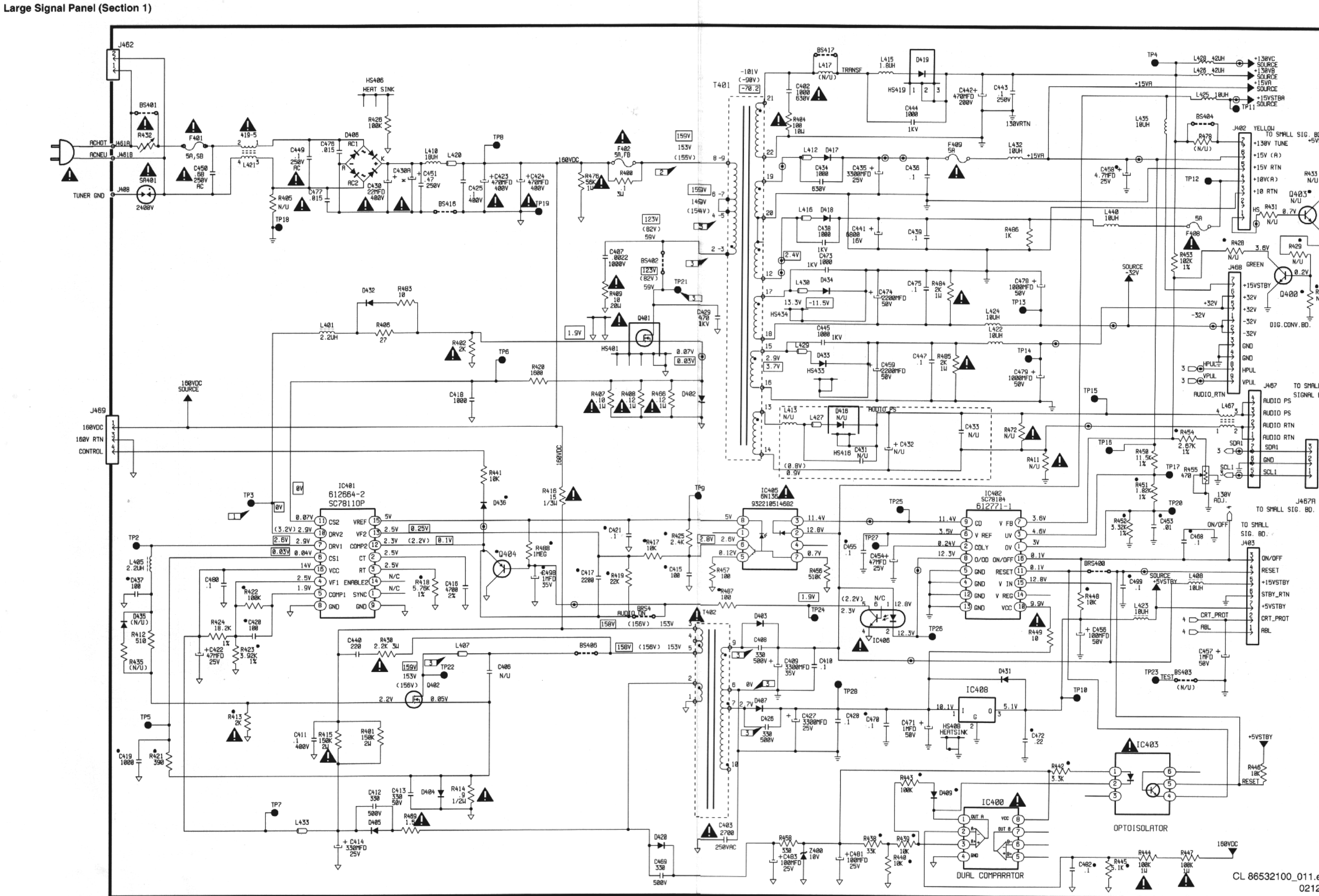




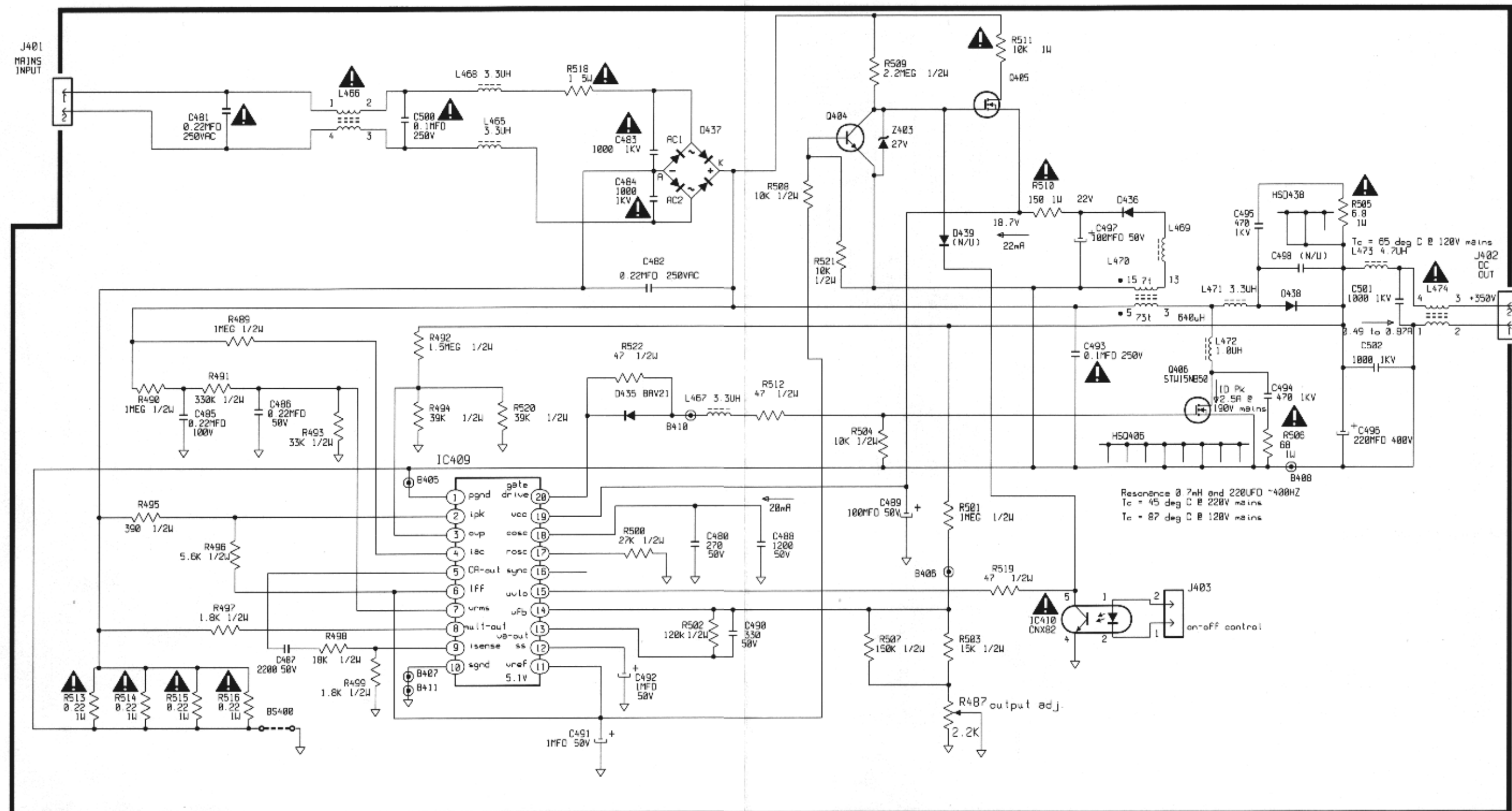
Interface pane (Section 2)





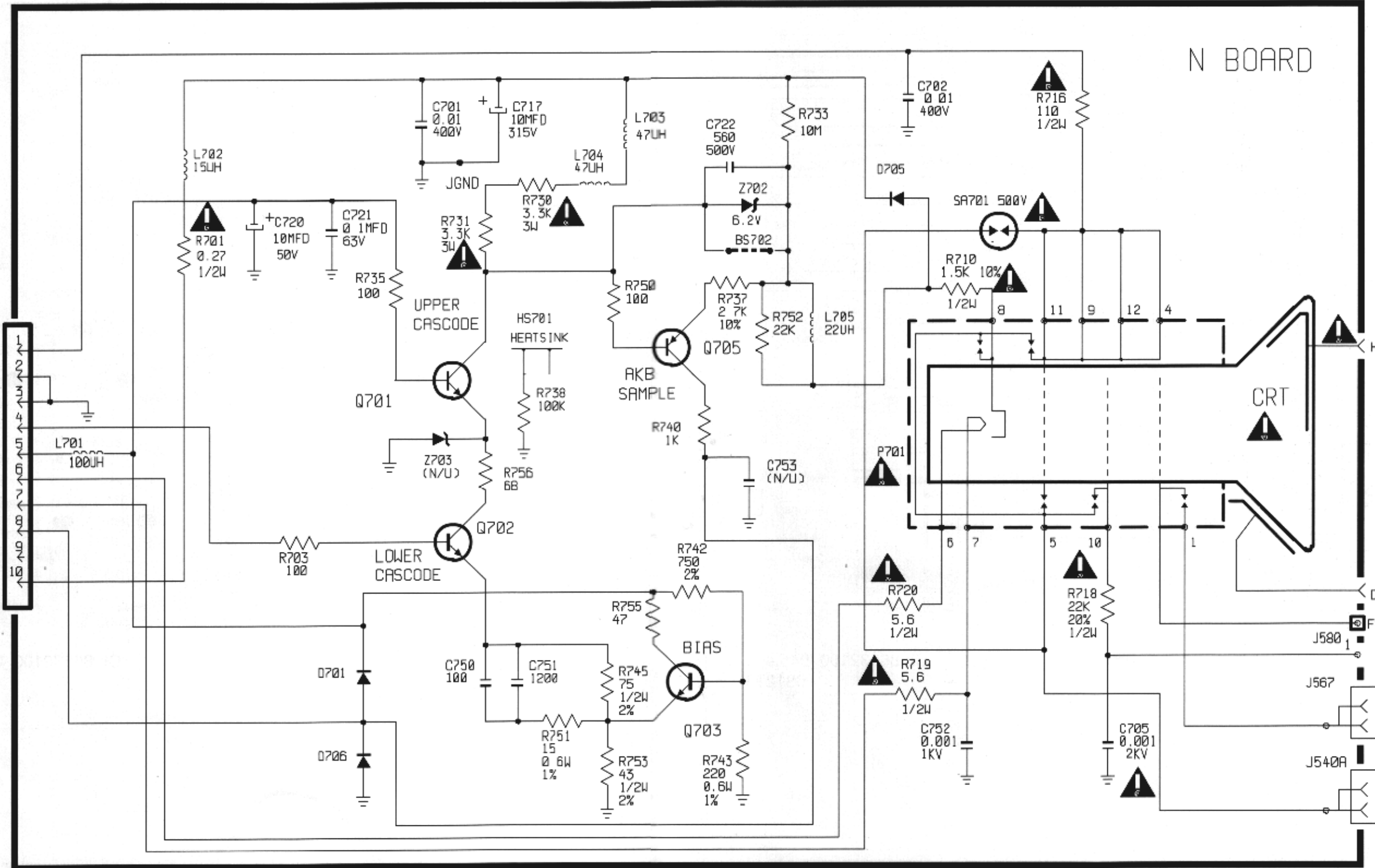


Power factor correction panel

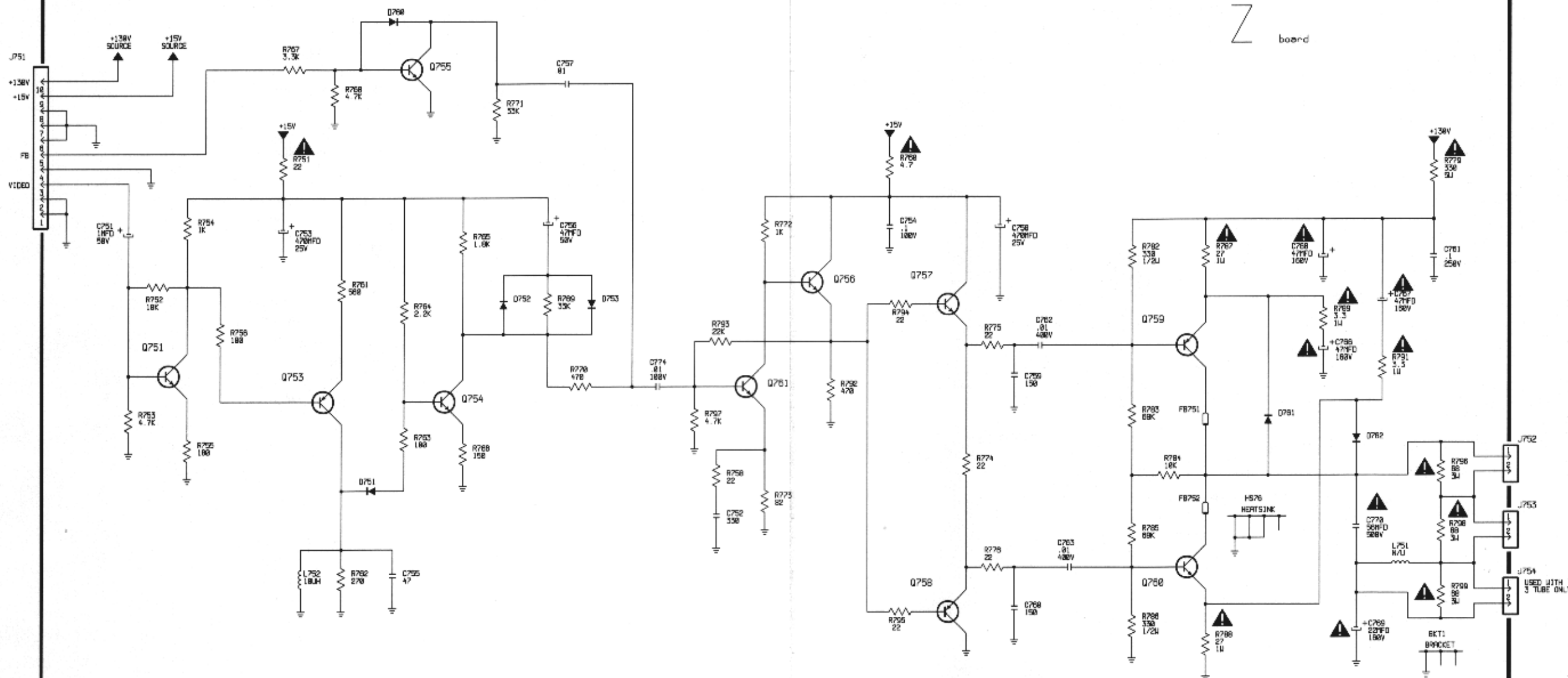


J654  
 G1  
 GND  
 GND  
 RED  
 +12V  
 FIL HI  
 FIL LO  
 1KR  
 N/C  
 240V

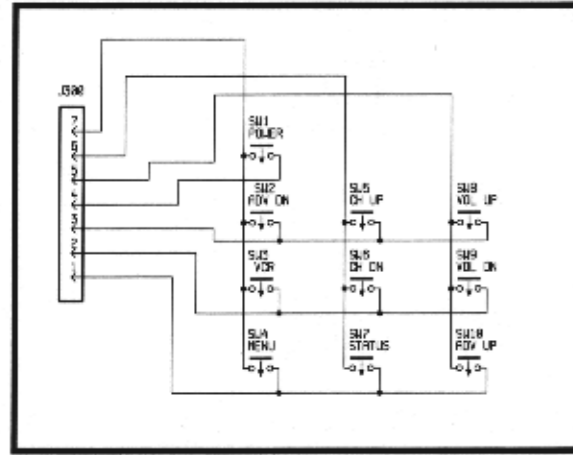
TO J654A ON  
 GRN. CRT BD.



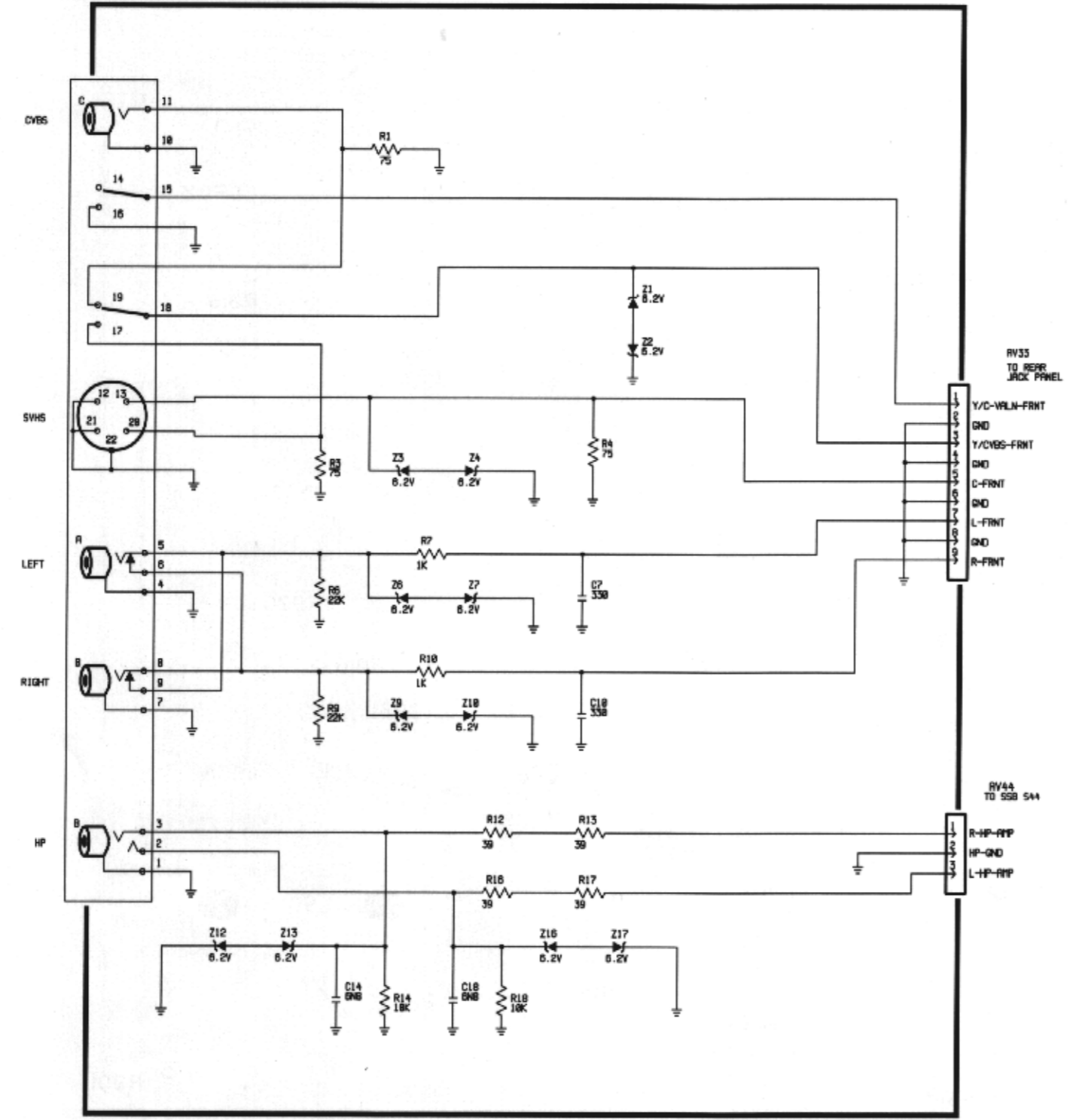
Z board



Customer switch panel



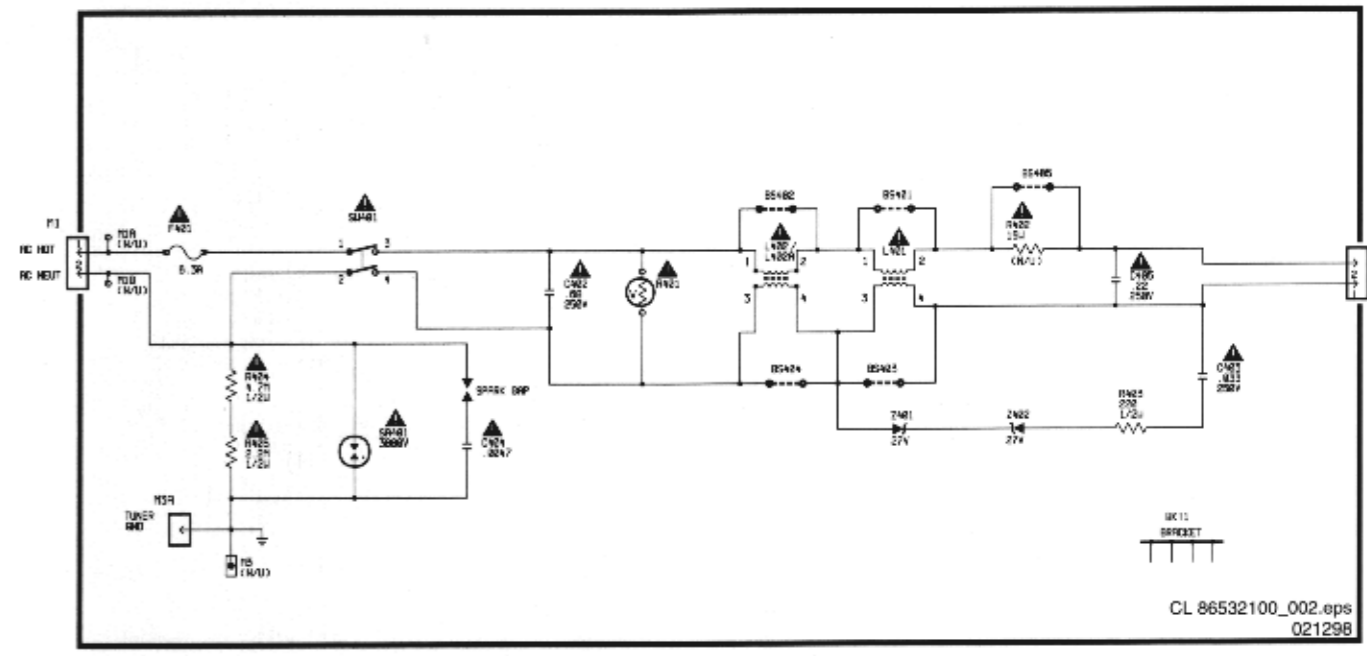
Customer control panel



- NOTES:  
 UNLESS OTHERWISE SPECIFIED  
 1. CAPACITANCE VALUES OF ONE OR MORE ARE PICOFARADS.  
 2. CAPACITANCE VALUES LESS THAN ONE ARE MICROFARADS.  
 3. RESISTORS ARE IN OHMS, 1/4W, 5%.  
 4. \* = SURFACE MOUNTED DEVICE (SMD).  
 5. ▲ = PCEC REPLACEMENT PART NUMBERS ONLY.  
 6. ⊙ = LAYOUT INCLUDED JUMPER.  
 7. \* = SEE COMPONENT VALUE TABLE.

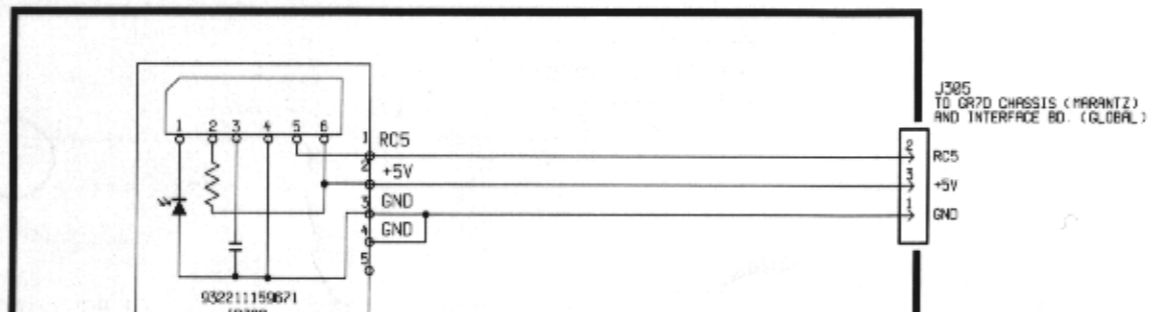
CL 86532100\_007.eps  
 021298

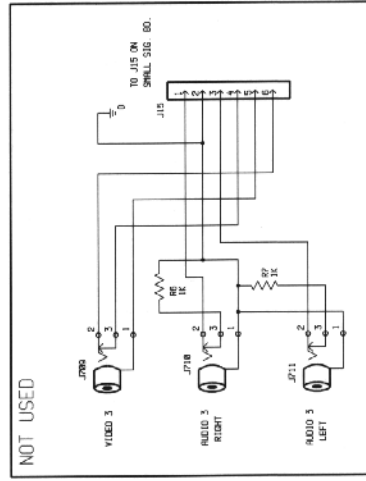
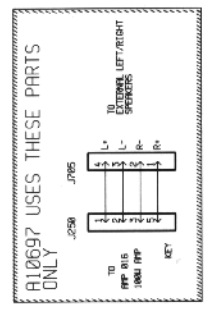
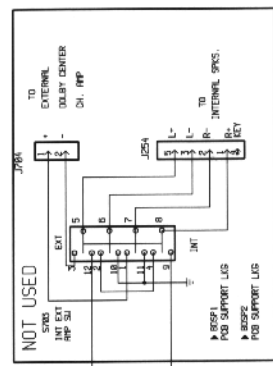
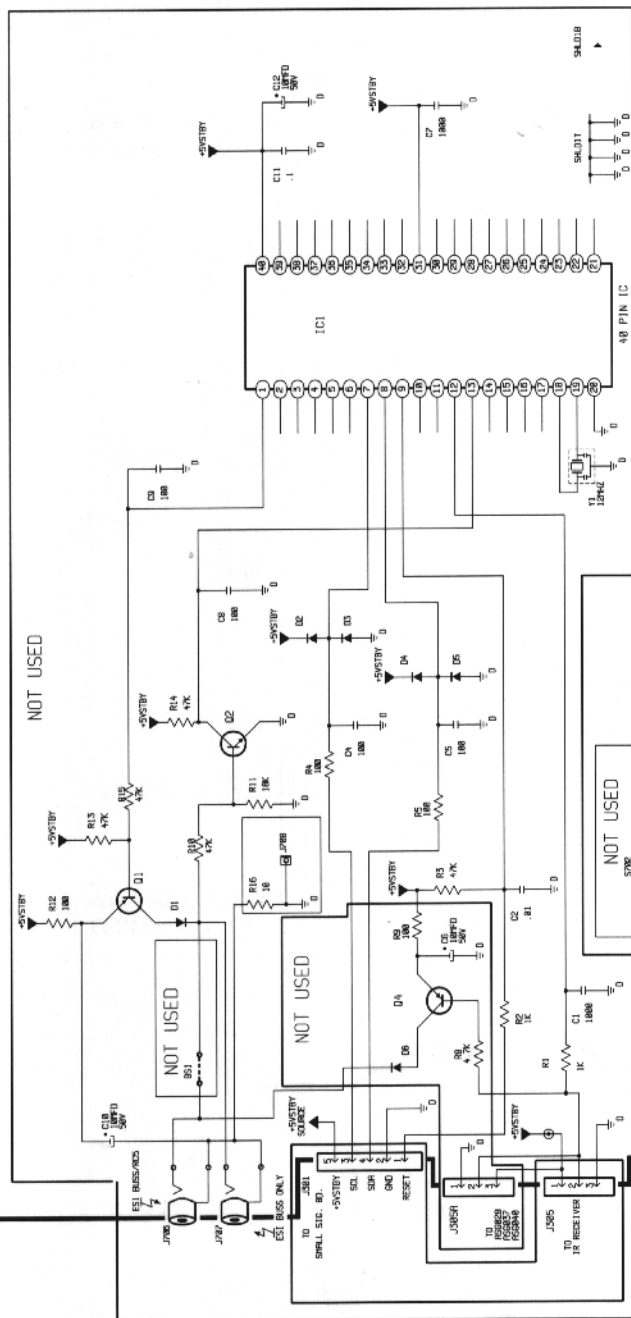
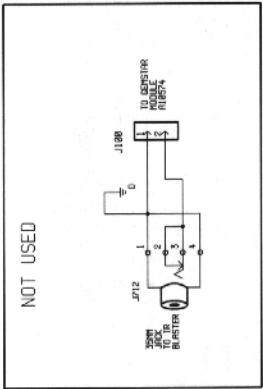
AC input panel



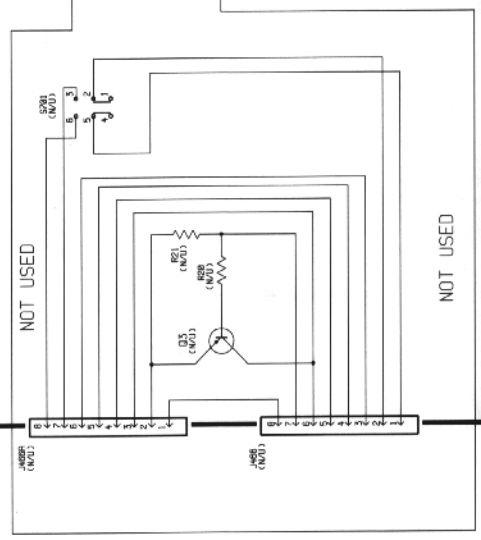
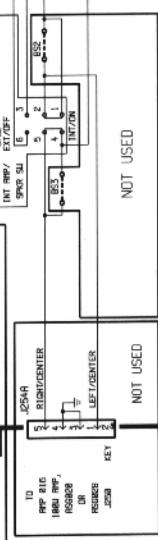
CL 86532100\_002.eps  
 021298

Remote receiverpanel





- NOTES:
- 1. UNLESS OTHERWISE SPECIFIED UNLESS OTHERWISE SPECIFIED
  - 2. CAPACITANCE VALUES OF ONE OR MORE ARE PICOFARADS.
  - 3. RESISTOR VALUES IN OHMS, 1/4W, 5%.
  - 4. \* = SUPPLY POWERED DEVICE (SPEAKER).
  - 5. ▲ = PCC REFERENCE PART NUMBERS ONLY.
  - 6. ⊙ = LEADOUT INDICATED JUMPER.
  - 7. \* = SEE COMPONENT VALUE TABLE.



NOT USED