

HONESTY PASSION INNOVATION

welcome to read and use our company's products

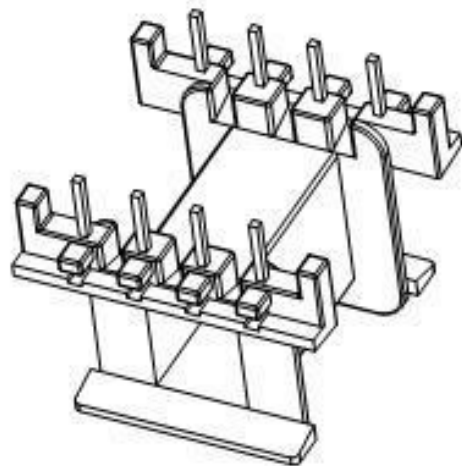
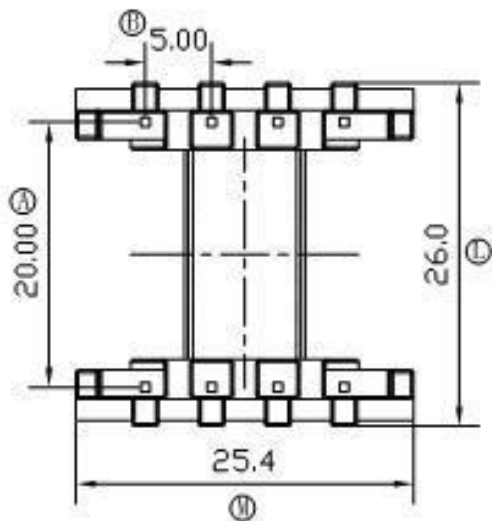
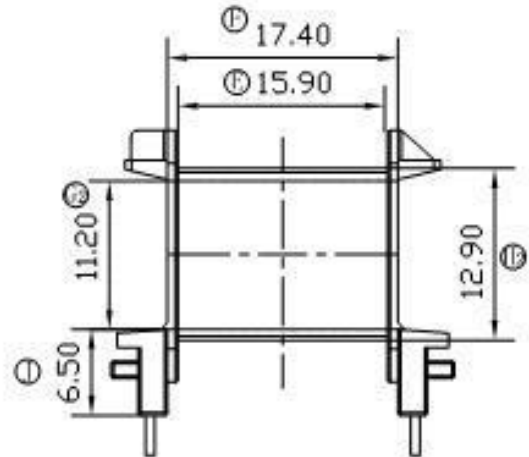
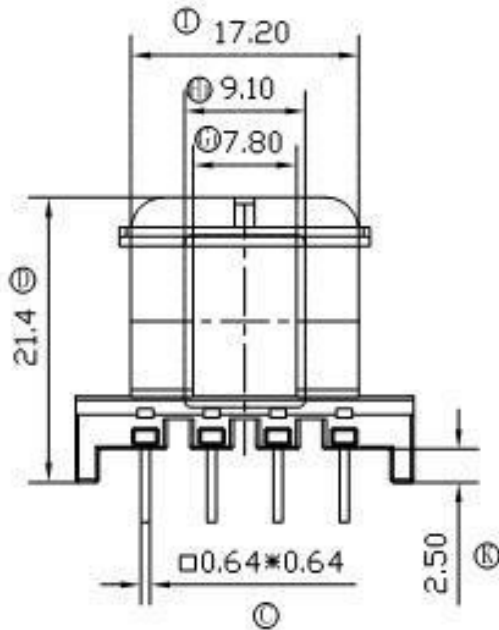


FUAN ELECTRONIC CO.,LTD

型号

EF-2508

REV	REVISIONS REC	DATE



DRAWNBY	JING LI PENG	TOLERANCE	MODEL NAME:	EF25-8P-1S
CHECKER BY	LING RONG WANG		BOBBIN MATERIAL:	PET本色/NYLONG红色
DATE	01-01-2008	X, X ± 0.3	SCALE: 2:1	SCALE: UL 94V-0
		X, XX ± 0.2		SCALE: M/M
		壁厚: ± 0.15		
		PINPITCH ± 0.2		