

# Service Manual

## ACTIVE 5.1CHANNEL SURROUND HOME CINEMA SYSTEM

Model Number: THT-868DF

### CONTENTS

	Page
Specifications.....	2
Block Diagram.....	3
Troubleshooting.....	4
Printed Circuit Boards.....	5-8
Wiring Diagram.....	9
Exploded Views and Disassembly Instructions.....	10
Parts List.....	11
Schematic Diagram.....	12-14

### PRODUCT SAFETY NOTICE

Many electrical and mechanical parts in this chassis have special safety characteristics. These characteristics often pass unnoticed and the protection afforded by them can not necessarily be obtained by using replacement components rated for higher voltage, wattage, etc. Replacement parts that have these special safety characteristics are identified in this manual and its supplements; electrical components having such features are identified by a  $\Delta$  in the schematic diagram and the parts list.

Before replacing any of these components, read the parts list in this manual carefully. The use of substitute replacement parts that do not have the same safety characteristics as specified in the parts list may create shock, fire, or other hazards.

# SPECIFICATIONS

## OUTPUT POWER

SUBWOOFER-----	125W
FRONT AND REAR-----	35W x 4
CENTER-----	35W
POWER CONSUMPTION-----	300W

## SPEAKER UNIT

WOOFER-----	8" 6 Ω
FRONT-----	3" 4 Ω
REAR-----	3" 4 Ω
CENTER-----	3" 4 Ω

## DIMENSION

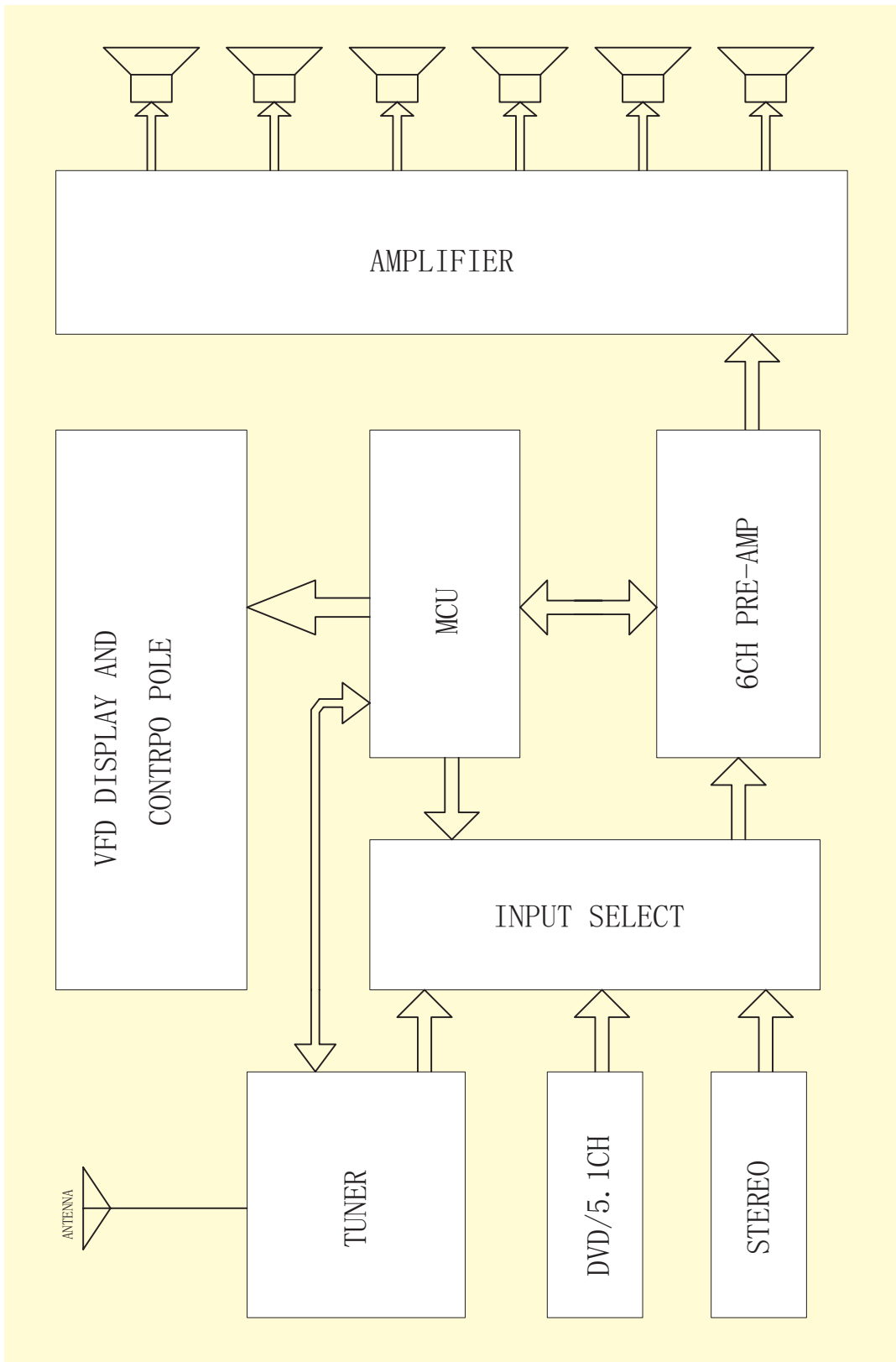
SUBWOOFER-----	220(W)x300(D)x380(H)(mm)
FRONT -----	90(W)x105(D)x1040(H)(mm)
REAR -----	90(W)x105(D)x1040(H)(mm)
CENTER -----	90(W)x105(D)x280(H)(mm)

## ACCESSORIES

REMOTE CONTROL -----	1 PCS
USER MANUAL -----	1 PCS
AAA BATTERIES-----	2 PCS
SPEAKER CABLES-----	3 PCS 2M(CENTER&FRONT) 2 PCS 6M(REAR)

IN ORDER TO DELIVER THE BEST QUALITY, THE SPECIFICATION OF THE SPEAKER MIGHT CHANGE WITHOUT SUBJECT OF NOTICE.

# BLOCK DIAGRAM

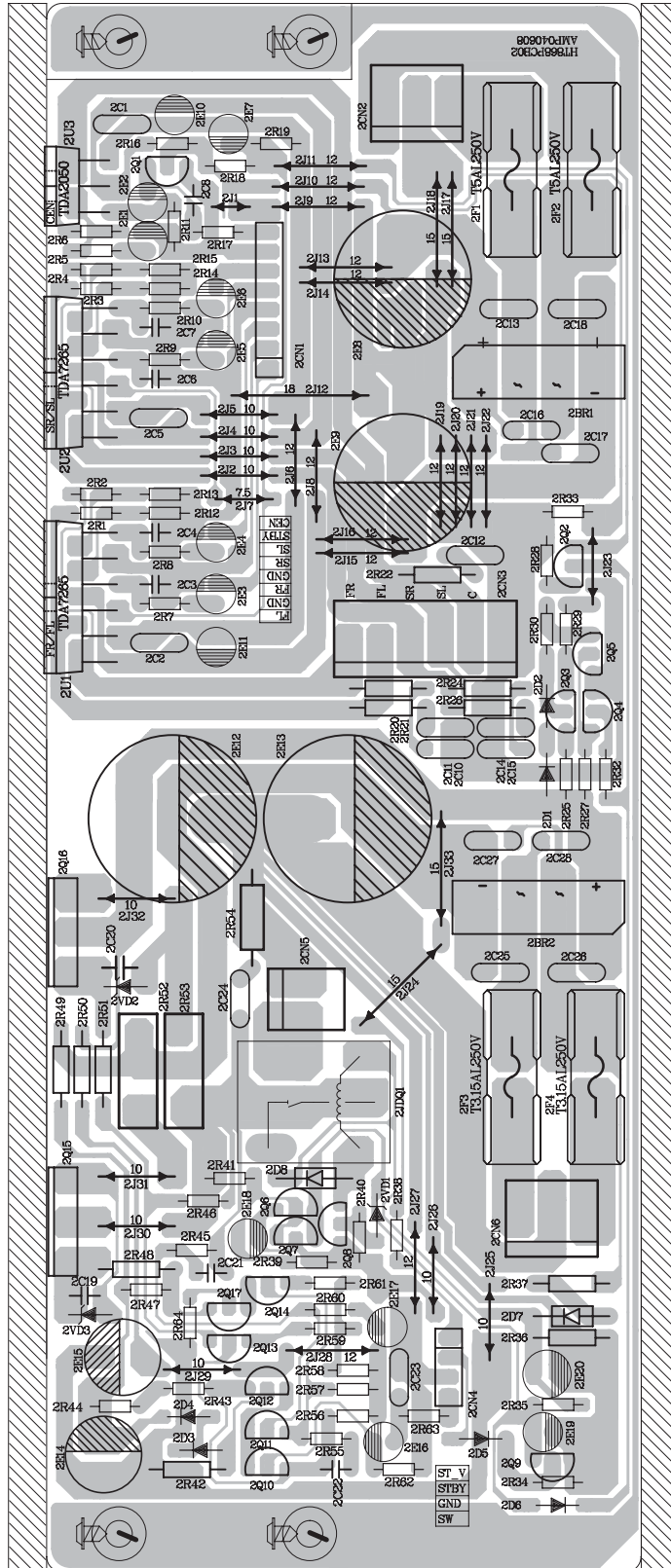


## TROUBLESHOOTING

ISSUE	CAUSED BY	SOLUTION
<p style="text-align: center;">No Sound from Speaker</p>	<ol style="list-style-type: none"> <li>1. System does not connected with power.</li> <li>2. The speaker cables are not connected with the output connector</li> <li>3. The power does not switch ON.</li> </ol>	<ol style="list-style-type: none"> <li>1. Check with the power plug</li> <li>2. Check the speaker cables</li> <li>3. Make sure the power is ON</li> </ol>
<p>No sound from speaker when chose DVD/5.1 output mode</p>	<p>The output setting of the DVD might set to dts decode mode</p>	<p>Reset the output setting to 5.1 CH output only</p>
<p>Distortion occurred when in high volume</p>	<p>The sound device has nigh level signal output</p>	<p>Turn down the master volume of the system</p>

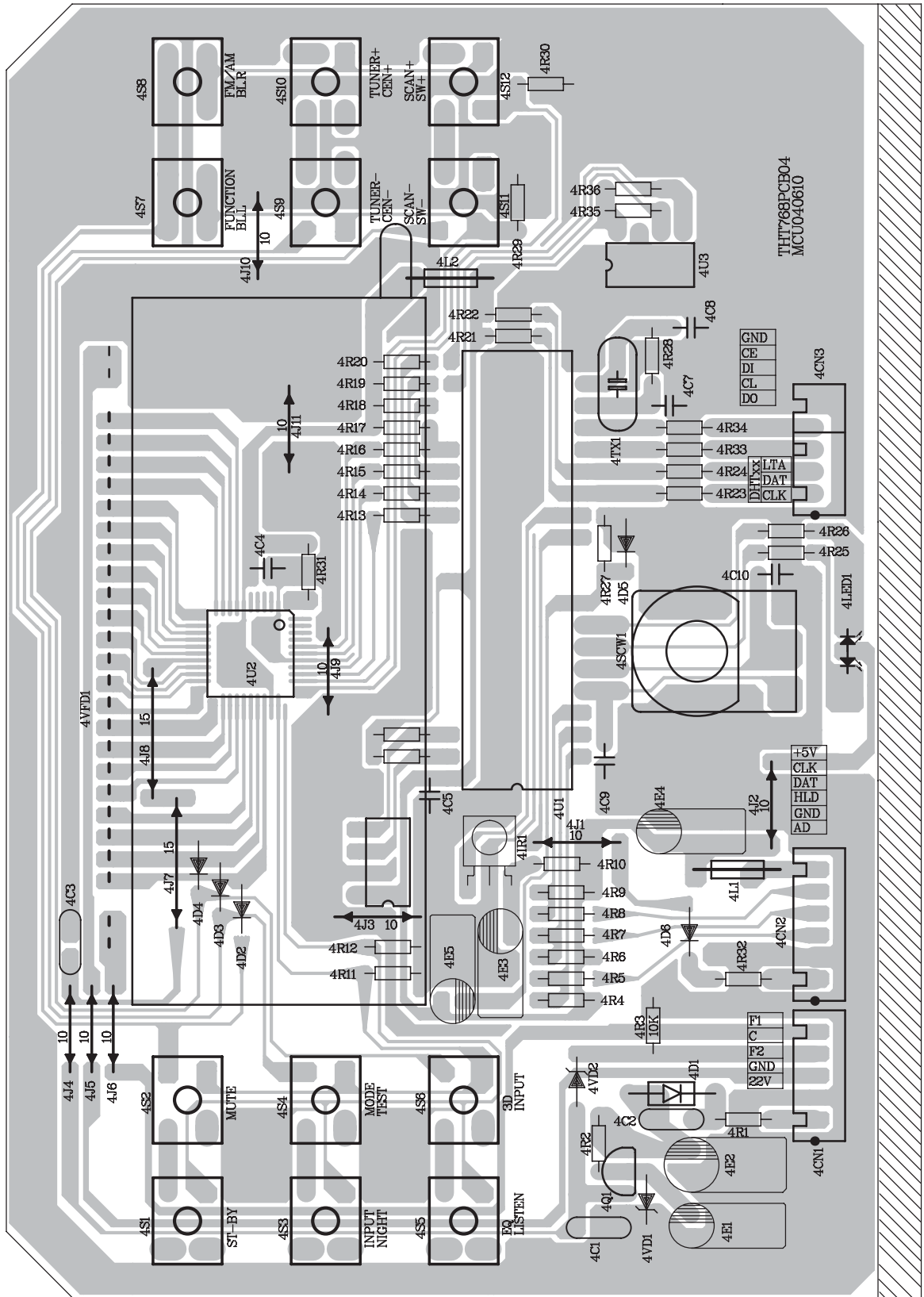
# PRINTED CIRCUIT BOARDS

## AMPLIFIER PCB



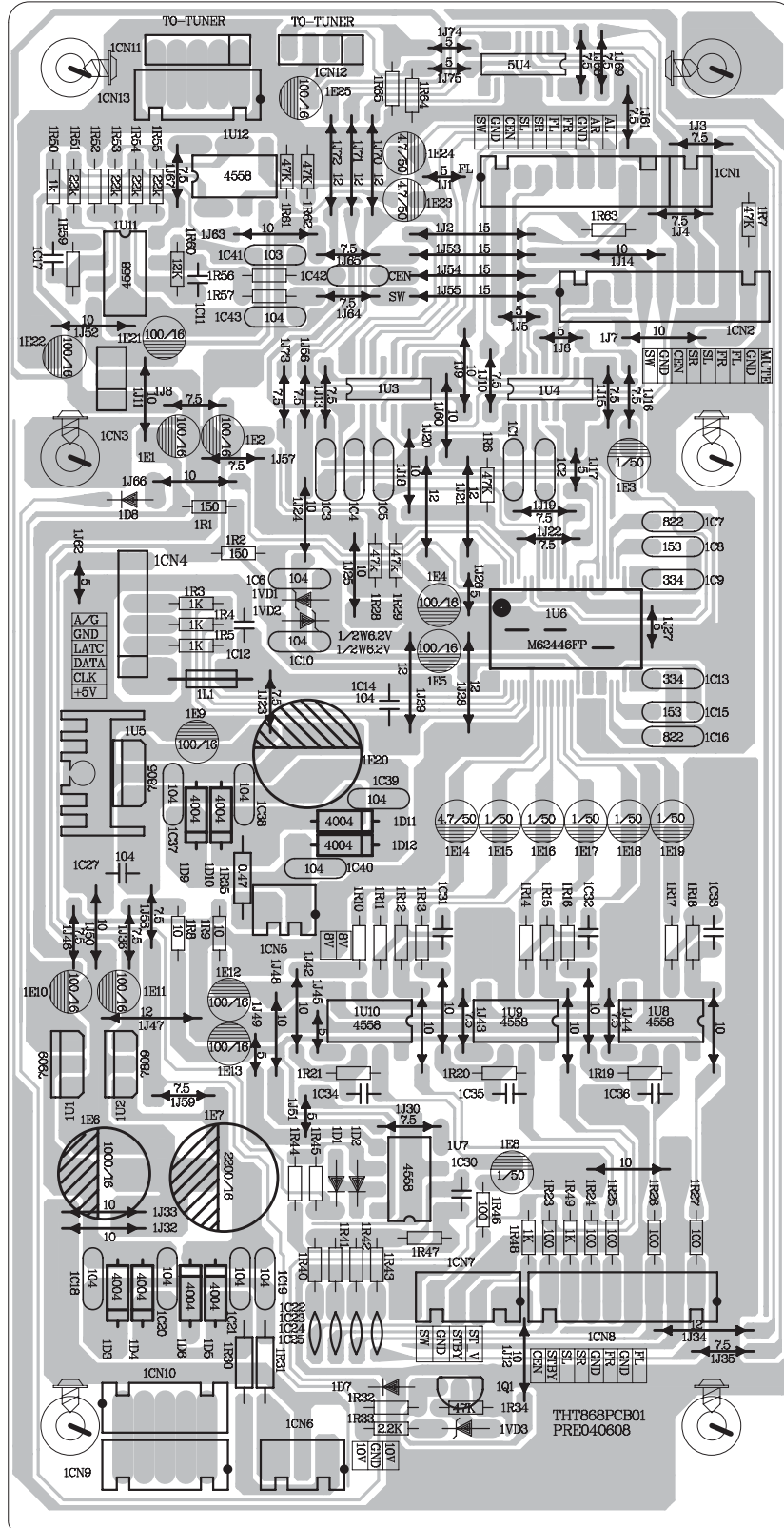
# PRINTED CIRCUIT BOARDS

## CONTROL PCB



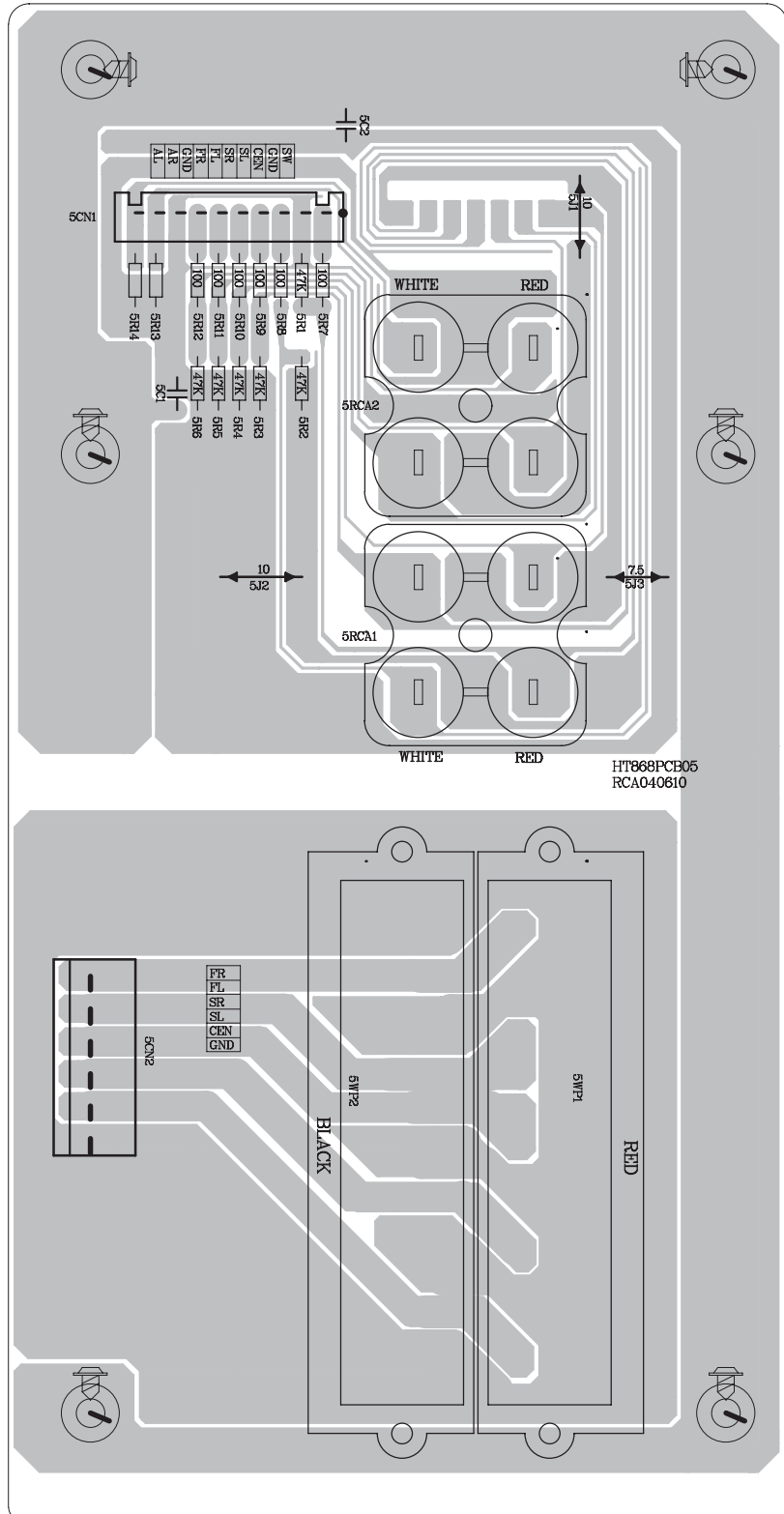
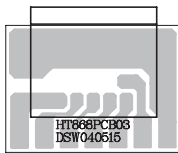
# PRINTED CIRCUIT BOARDS

## PREAMPLIFIER PCB



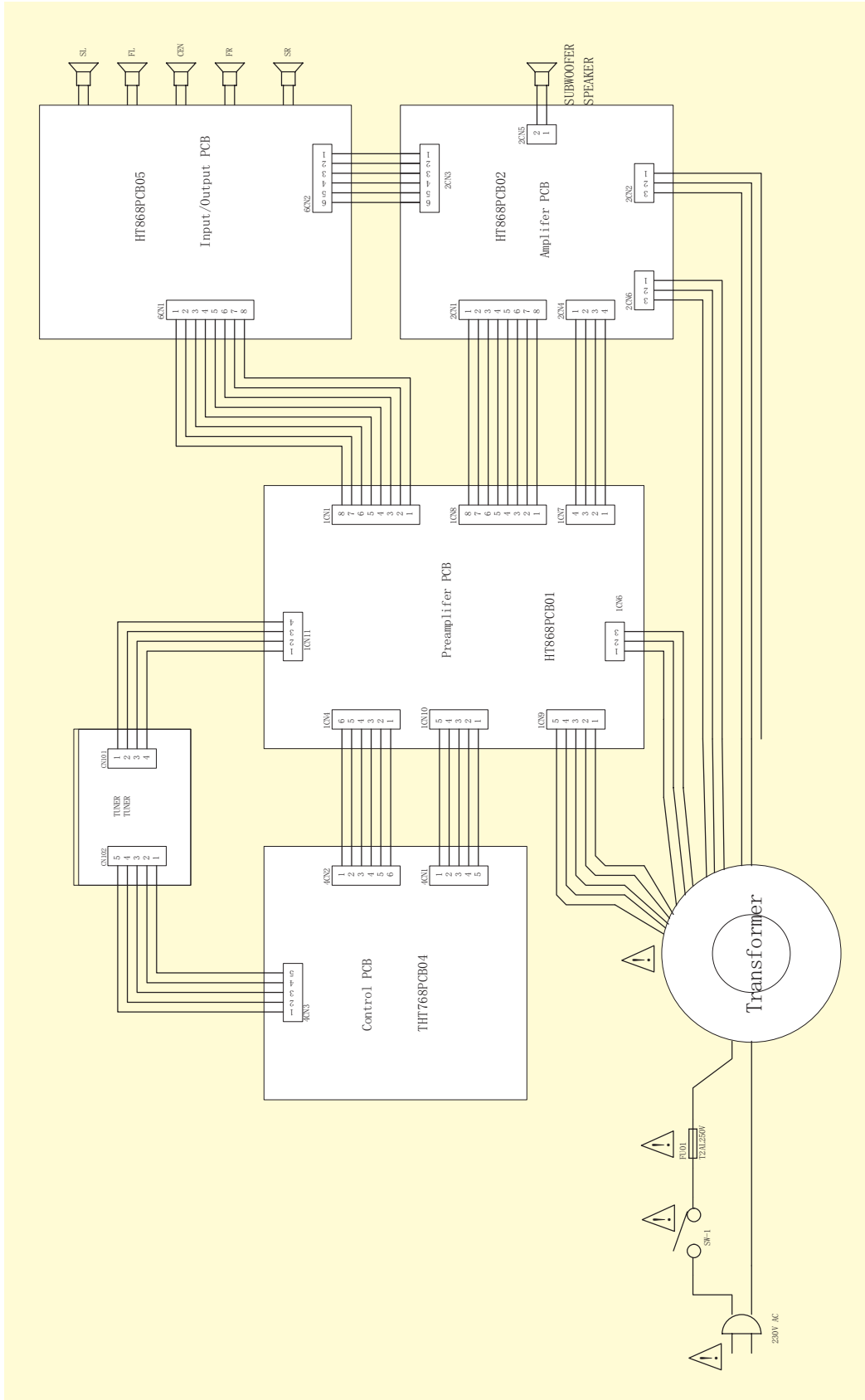
# PRINTED CIRCUIT BOARDS

## INPUT/OUTPUT PCB



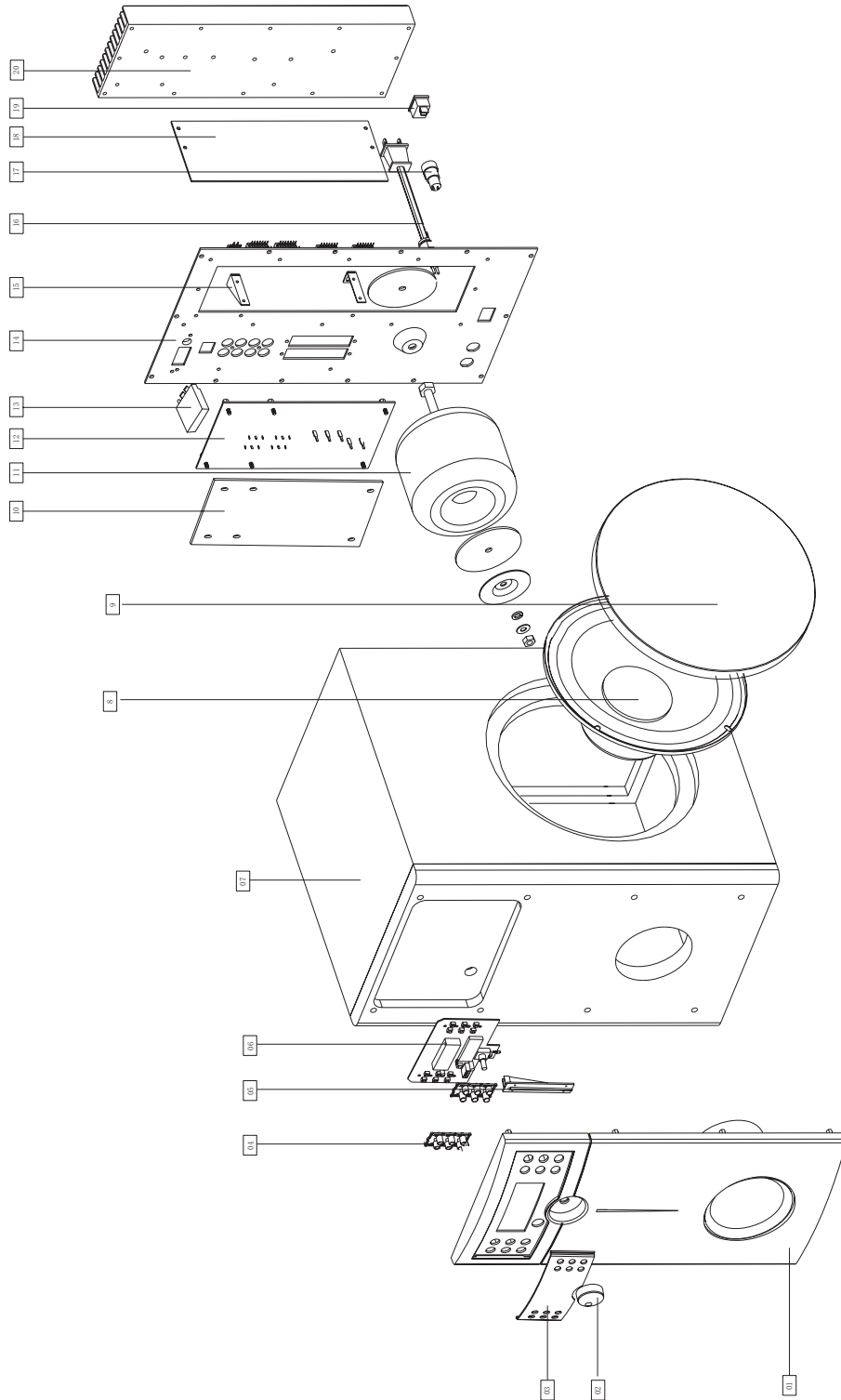


# WIRING DIAGRAM



# EXPLODED VIEWS AND DISASSEMBLY INSTRUCTIONS

## Subwoofer Speaker



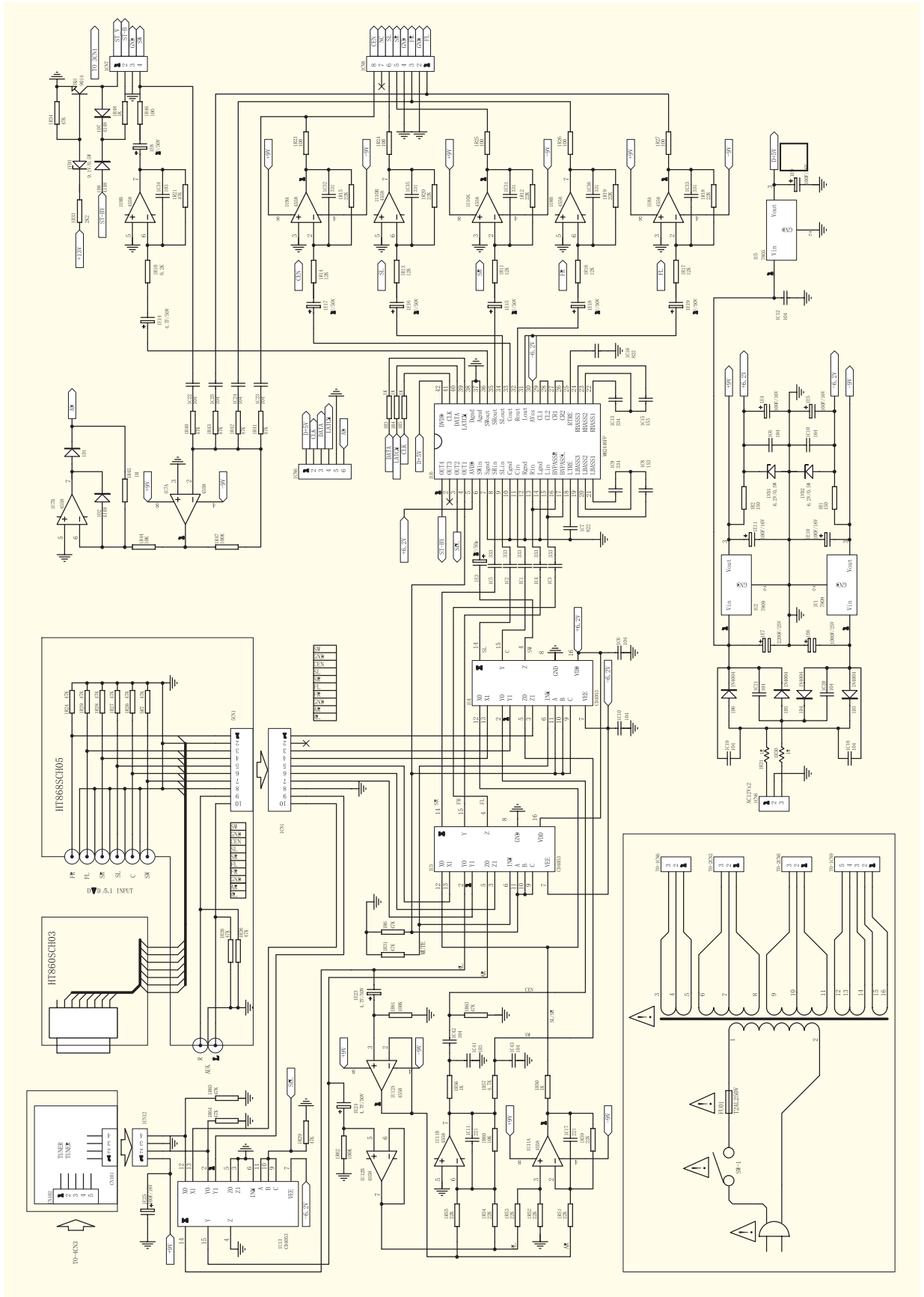
## PARTS LIST

### Subwoofer Speaker

20	heat sink	1	PCS	
19	main power switch	1	PCS	
18	amplifier PCB	1	PCS	
17	fuse assembly	1	PCS	
16	AC power cord	1	PCS	
15	bracket	2	PCS	
14	rear plate	1	PCS	
13	tuner	1	PCS	
12	input/output PCB	1	PCS	
11	transformer	1	PCS	
10	preamplifier PCB	1	PCS	
09	grill	1	PCS	
08	speaker unit	1	PCS	
07	subwoofer case	1	PCS	
06	control PCB	1	PCS	
05	lens	1	PCS	
04	button	1+1	PCS	
03	display cover	1	PCS	
02	knob	1	PCS	
01	front panel	1	PCS	
Ref. No.	part name	quantity	unit	note



# SCHEMATIC DIAGRAM (INPUT/OUTPUT PCB&PRE-AMPLIFIER PCB)



# SCHEMATIC DIAGRAM (CONTROL PCB)

