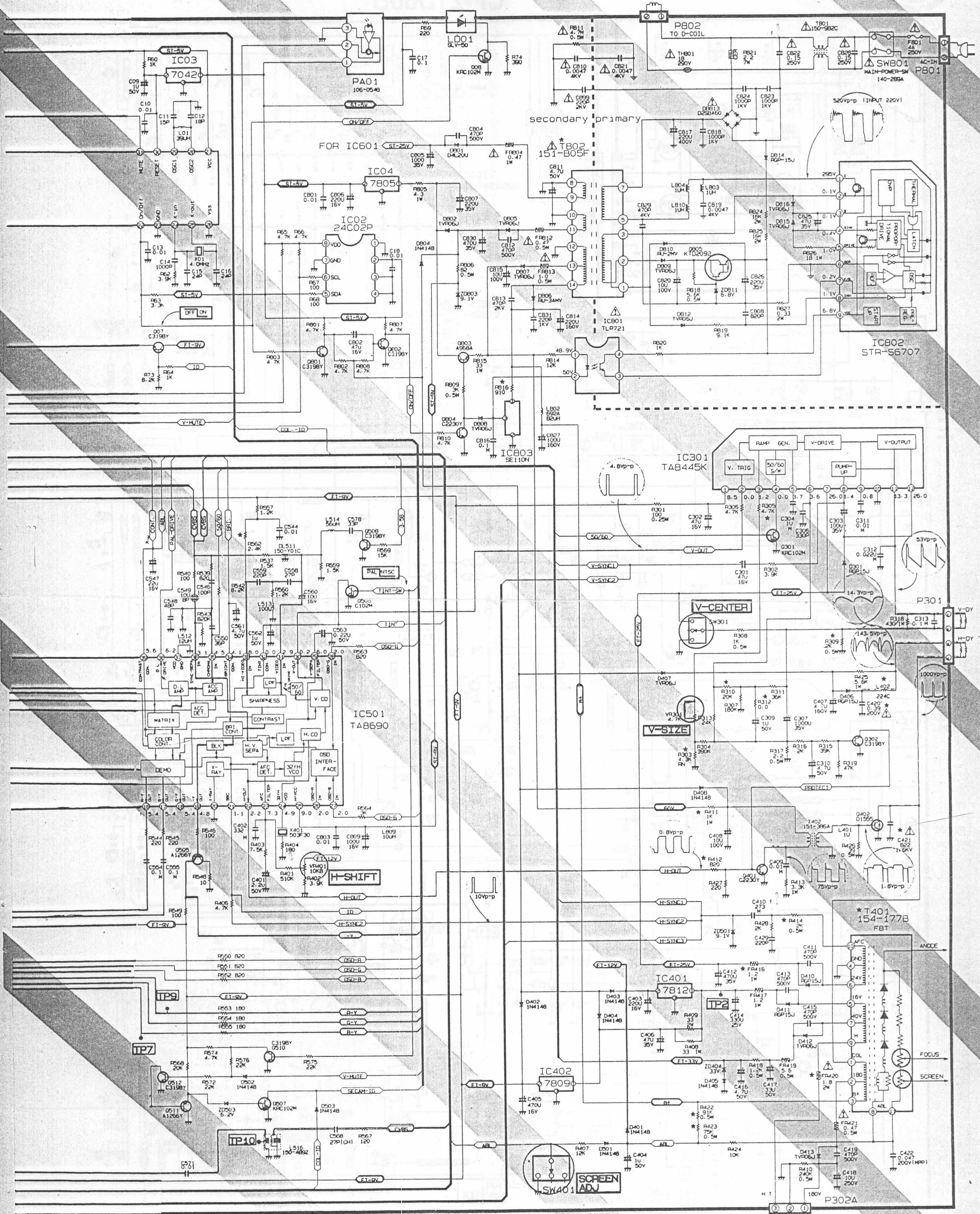


MC-41B chassis



BLOCK DIAGRAM

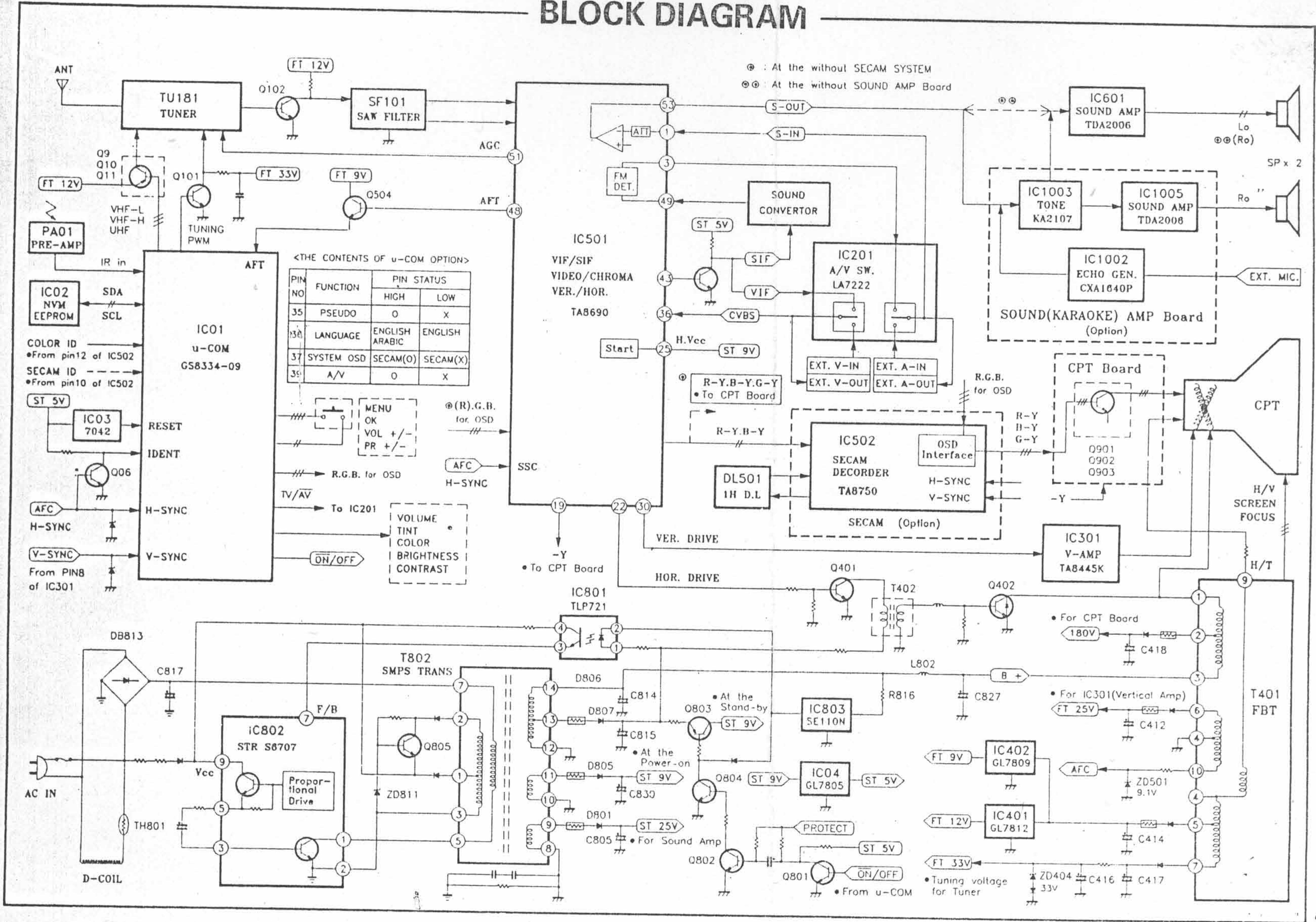
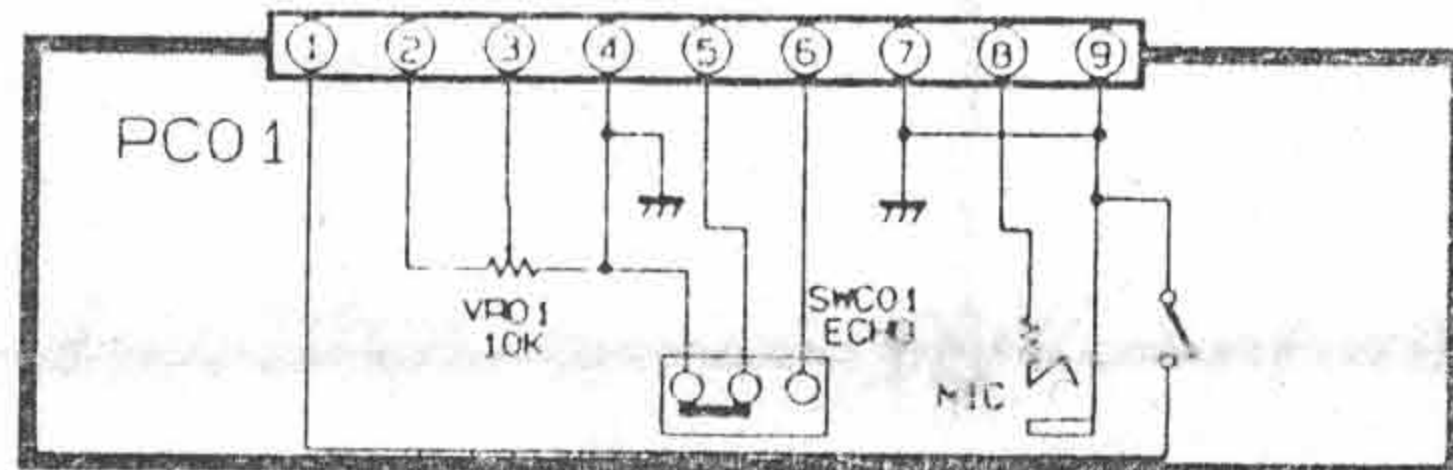


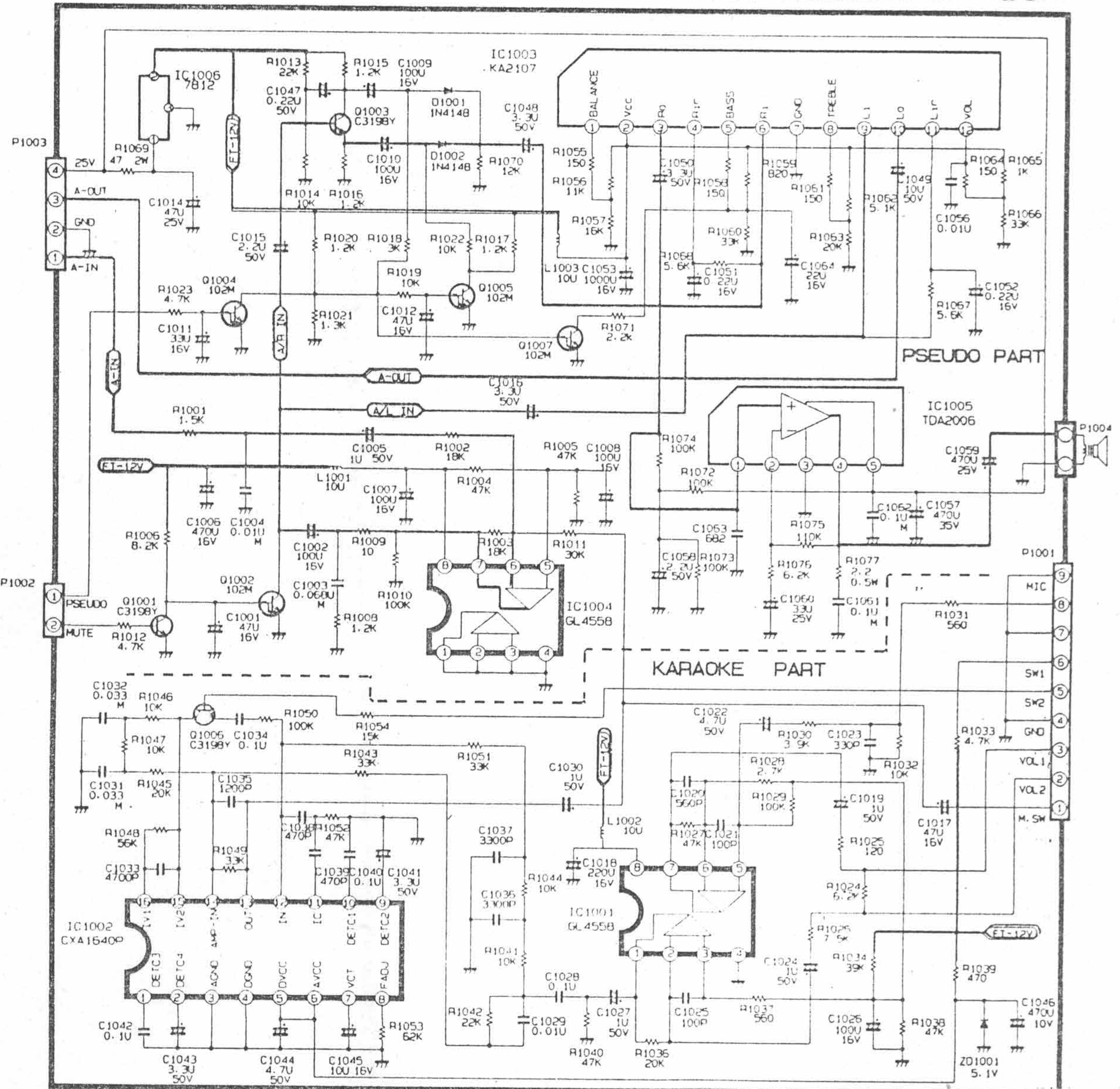
TABLE OF INCH CONVERSION (★)

CIRCUIT NO	INCH				REMARK
	14" (594)	16"	20"	21"	
PCB	111-M72B	111-M72A	111-M72A	111-M72A	MAIN PCB
T401	154-064P	154-064P	154-177B	154-194D	FBT
FR416	1-2	1-2	1-2	4-3	FUS1. RES. 1W
FR420	3	1-8	1-8	1-8	FUS1. RES. 2W
R312	TIN WIRE	TIN WIRE	TIN WIRE	TIN WIRE	RD. RES. 0.5W
R309	-	2K	1.2K	1.2K	RD. RES. 0.5W
R422	100K	91K	91K	91K	RD. RES. 0.5W
R423	100K	75K	75K	75K	RD. RES. 0.5W
R816	600	910	910	3K	RD. RES. 0.5W
R414	1.2K	1.2K	2K	2K	RD. RES. 0.5W
R14	4.7K	4.7K	5.6K	5.1K	RD. RES. 1/6W
R562	1.2K	1.2K	2.4K	2.4K	RD. RES. 1/6W
R303	4.7K	2.7K	4.7K	2.7K	RN. RES. 1/6W
R310	20K	20K	27K	27K	RD. RES. 1/6W
R305	4.7K	4.7K	4.7K	4.7K	RD. RES. 1/6W
R901	10K	10K	12K	12K	RS. RES. 2W
R908	10K	10K	12K	12K	RS. RES. 2W
R909	10K	10K	12K	12K	RS. RES. 2W
R411	1K	1K	1K	820	RS. RES. 1W
C421	522	732	822	822	MED. CAP. 1.6V
C420	0.47	0.72	0.39	0.47	MED. CAP. 200V
L402	150-224D	150-159D	150-224C	150-224D	LINEARITY COIL
P901	381-225D	381-100C	381-225D	381-225D	CPT SOCKET
T802	151-478A	151-805F	151-805F	151-805F	SOUND MAX
		151-478A	151-478A	151-478A	N.L.

KARAOKE CONTROL (OPTION)



PSEUDO & KARAOKE (ONLY SOUND MAX MODEL) OPTION



SCHEMATIC DIAGRAM OF REMOTE CONTROL

