



**PEAVEY**

# SERVICE MANUAL

---

## ***ESCORT 2000***<sup>TM</sup>

### **150 WATT POWERED MIXER**

#### **CONTENTS**

Specifications .....	.2-4
Block Diagram .....	.5
Trouble Shooting Guide .....	.6
PCB Layout .....	.7-10
Schematic Diagrams .....	.11-14
Electrical Parts List .....	.15-22
Exploded View • Parts List .....	.23-26

**SPECIFICATIONS**

Test condition:

A/C Input Voltage @ 115V or 230V

All Bass, Treble, and FLS are set to center unless specified.

All Reverb are set to minimum counter-clockwise.

Master volume L & R set to maximum

Channel 5 is set to stereo mode.

		<b>Typical</b>	<b>LIMIT</b>	<b>UNIT</b>
Output Power		75	70	W
(1kHz, 1% ) Ch. 5 In				
Distortion @ 70W		0.5	0.8	%
Ch. 5 In w/LPF 30K Filter				
DDT	LINE Input = 750 mV	70	80	W
	RCA Distortion	1	<2.5	%
	Input Input = 1400mV	70	85	W
	Distortion	2	<3.5	%
S/N @ 75W 1KHz		85	68	dB
( A-WTD) Microphone Input open				
FLS	Freq Range +/-10%	+8/-13	+/-2	dB
	RCA 100 Hz			
	Input 350 Hz			
	@ 1V 1 KHz			
	Output 3 KHz			
	8 KHz			
	Gain		+/-3	dB
	MIC Channel 1 (bal)	82		
	Input Channel 2 (bal)	82		
	1mV Channel 3 (bal)	82		
	Channel 4 (bal)	82		
	10mV Channel 5 (RCA In)	38		
Tone Control		+/-10	+/-2.5	dB
	Bass (100Hz) CCW/CW			
	LINE Channel 1			
	Input Channel 2			
	10mV Channel 3			
	Channel 4 ( L.ch In )			
	(10mV) Channel 5 ( RCA In )	+6/-10	+/-2.5	dB
Treble Control		+/-10	+/-2.5	dB
	Treble (10KHz) CCW/CW			
	LINE Channel 1			

**SPECIFICATIONS**

Input	Channel 2				
10mV	Channel 3				
	Channel 4 ( L.ch In )				
(10mV)	Channel 5	+6/-10	+/-2.5	dB	
Hum and Noise w/ BPF					
17-17KHz Filter					
All VL gains at maximum					
		10	15	mV	
Input Impedance					
	Mic Input	2K	1K5	Ω	
	Line 1 & 2 & 3 & 4R.ch Input	30K	20K	Ω	
	Line 4L.ch Input	18K	12K	Ω	
	RCA Input	10K	8K	Ω	
Frequency Response					
RCA In @ 1W output, -3dB					
		30-25K	70-20K	Hz	
Input Sensitivity @ 50W ( mono Input )					
Line Input	Channel 1	45	+/-10	mV	
	Channel 2				
	Channel 3				
	Channel 4 (L In)				
L/R Separation @ 1KHz ,1w O/P					
w/ LPF 30k Filter					
		50	36	dB	
L/R Channel Difference @ 1w O/P					
		1	2	dB	
Aux Output Gain @ 1KHz					
100mV Aux In, L/R Master @ Max					
Channel 5 @ Max					
		15	+/-2	dB	
Reverb Input 2mV ,VR Set to Max					
Freq Rance @1KHz, 1V O/P					
LINE 1	260 Hz	+/-3Hz	+6	+/-2	dB
LINE 2	260 Hz	+/-3Hz	+6	+/-2	dB
LINE 3	260 Hz	+/-3Hz	+6	+/-2	dB
LINE 4	260 Hz	+/-3Hz	+6	+/-2	dB
RCA In	260 Hz	+/-3Hz	+6	+/-2	dB

**SPECIFICATIONS**

## FLS LED Sensitivity @ RCA Input

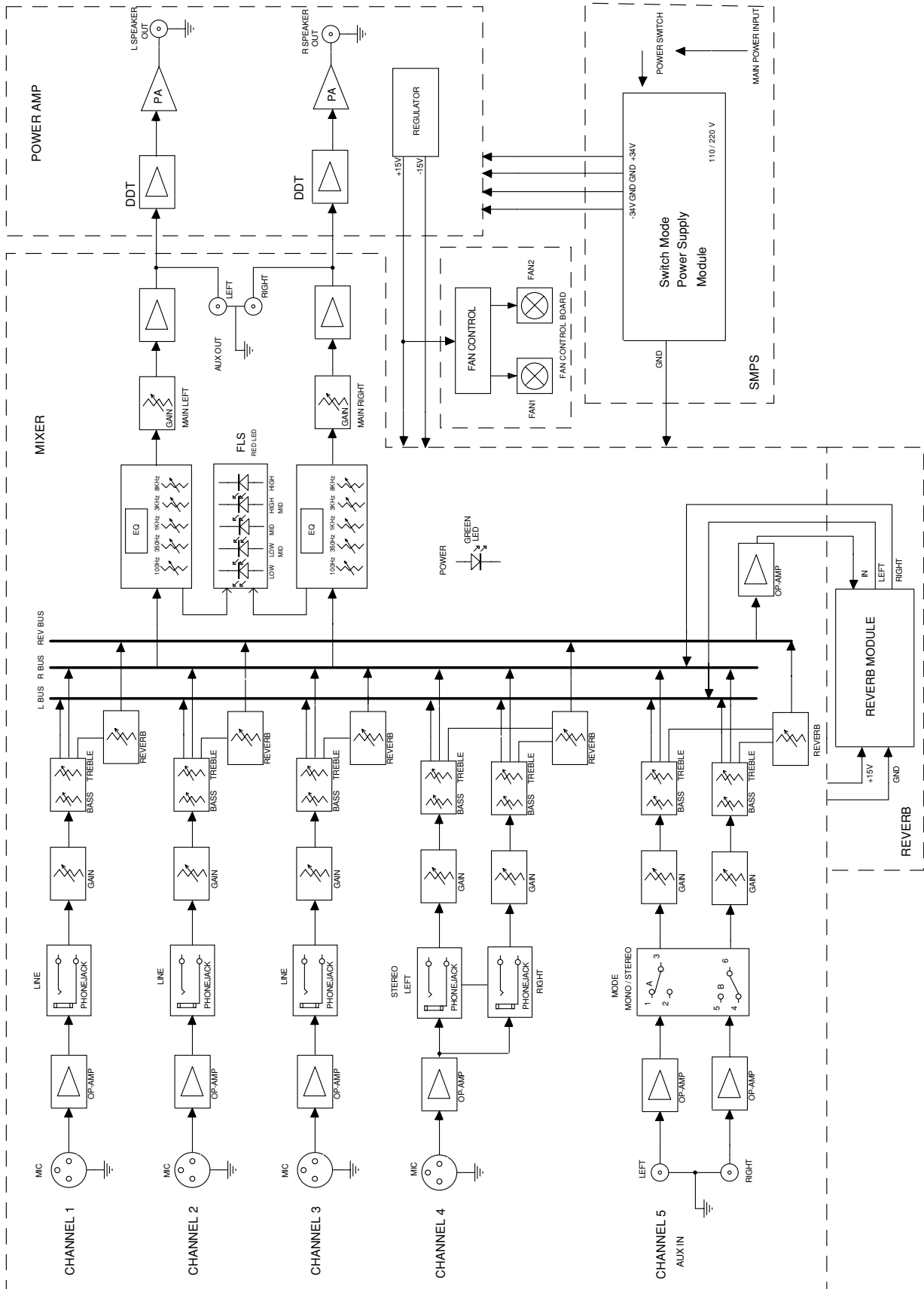
Low @ 100Hz +/-10%	15	20	W
Low Mid @ 350Hz +/-10%	15	20	W
Mid @ 1KHz +/-10%	15	20	W
High Mid @ 3KHz +/-10%	15	20	W
High @ 8KHz +/-10%	15	20	W

## Power Consumption

## Maximum Power (O/P 75Wx2)

115Vac	3.5	4.0	A
230Vac	1.75	2.8	A

BLOCK DIAGRAM



**TROUBLE SHOOTING GUIDE**

<b>Symptom</b>	<b>Cause</b>	<b>Remedy</b>
No power	Fuse F501 damage	Replace
No Power Output	U403 ,U406 damage	Replace
No Power Indicator	U407 damage	Replace
FLS No Function	U407,U408 damage	Replace
Treble No Function	U407,U408 damage	Replace
Bass No Function	U407,U408 damage	Replace
CH.1 to CH.4 No Output	U407,U408 damage	Replace
Reverb No Function	VR01 damage	Replace

**THEORY OF OPERATION****Switch Mode Power Supply Unit ( SMPSU)**

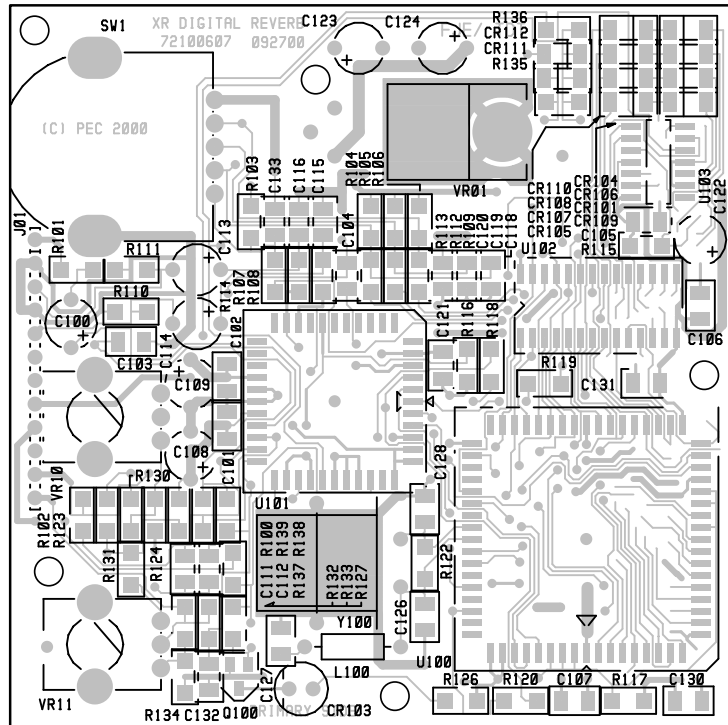
This unit is not recommended to be serviced in the field except by replacing the complete module as a total assembly. The following information is provided to assist in the trouble shooting of the unit. Please note that the mains fuse must be replaced with exactly the same grade of fuse for safety regulations and to avoid risk of damage and potential fire hazard.

The mains input to the SMPSU allows for operation from 90-130V in 115V setting and 190-250V in the 230V setting. The output of the SMPSU is +/-33V DC for the main power supply rails of the power amplifier. The unit also has connectors for main power input, mains power switch and chassis, earth and signal grounds.

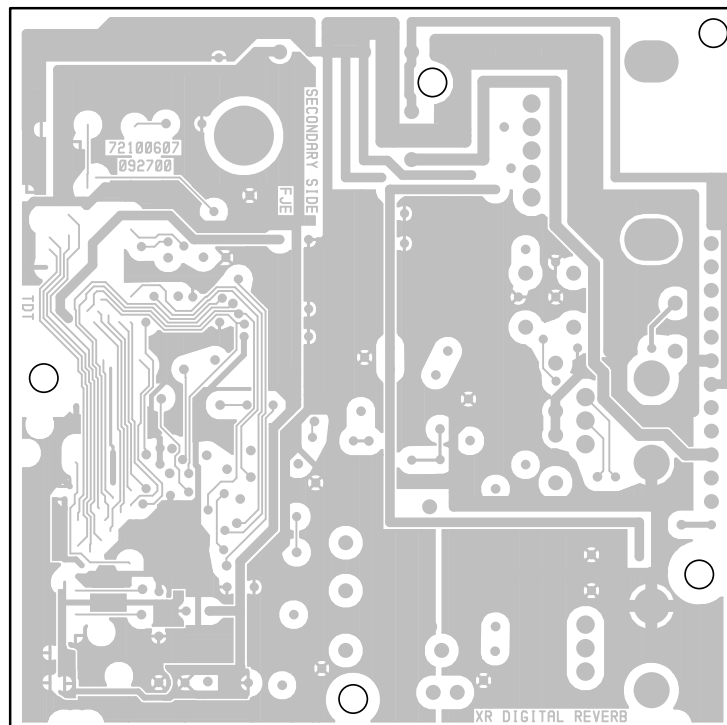
The SMPSU incorporates protection circuits other than the fuses including over current protection. All parts contained in the SMPSU should be considered to be safety parts and should be replaced only with exact parts where service can be provided by properly licensed and trained repair technicians.

PCB LAYOUT

DSP REVERB PCB



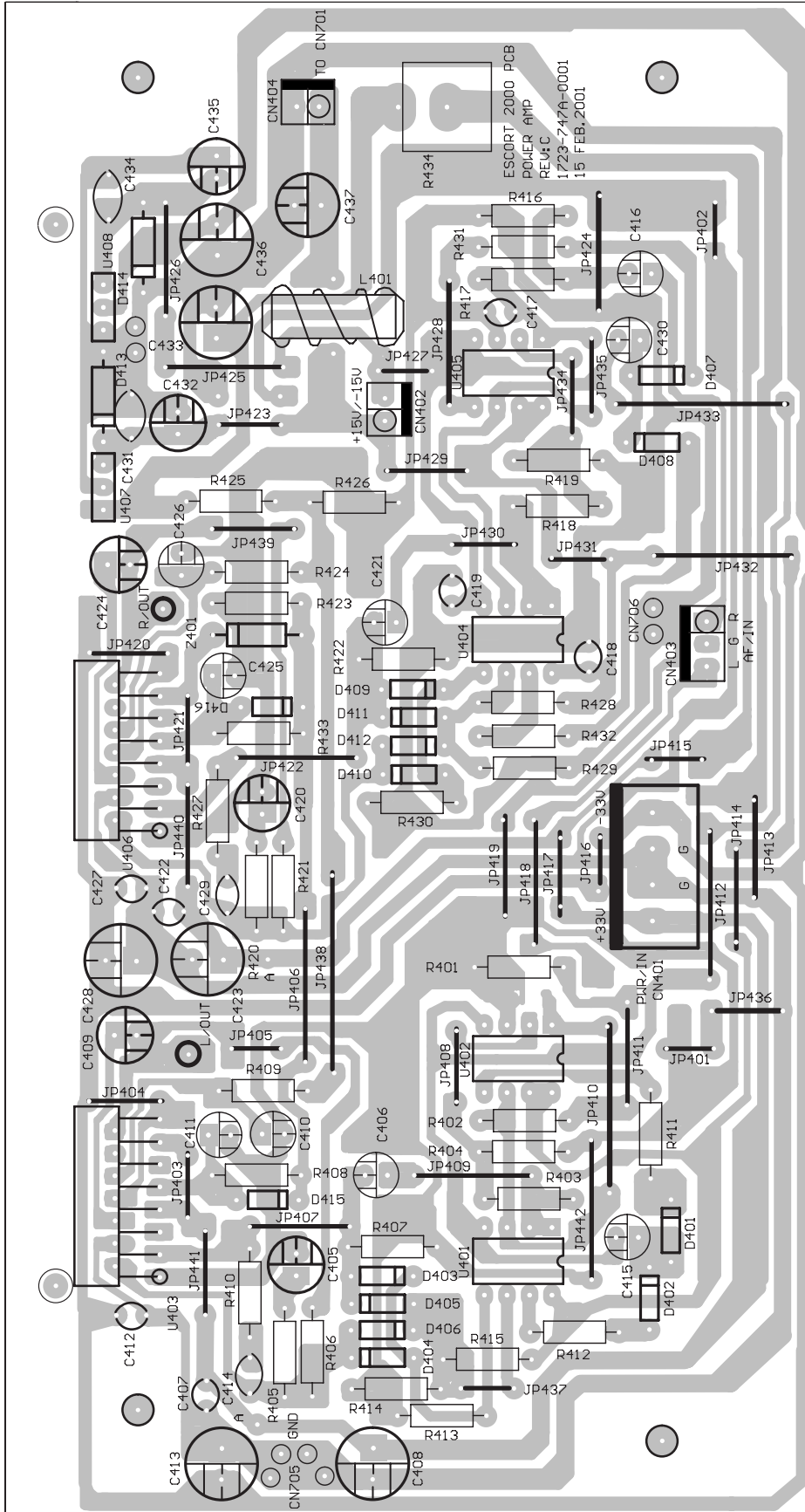
(Top View)



(Bottom View)

PCB LAYOUT

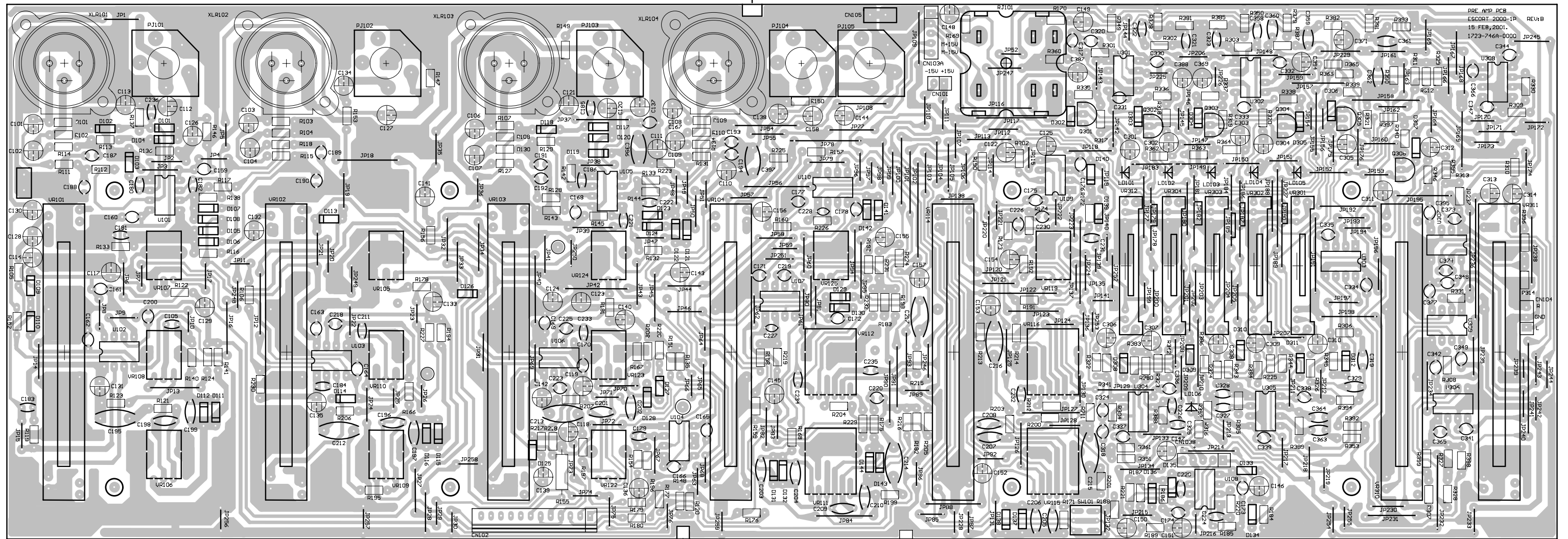
Power Amp PCB



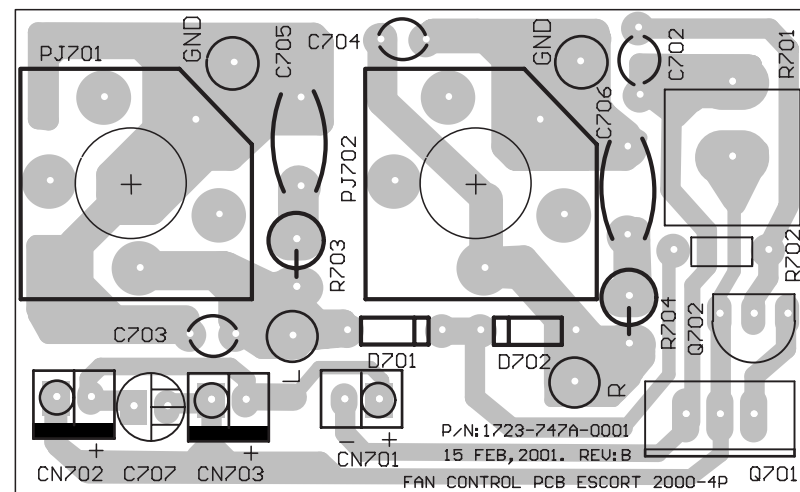


PCB LAYOUT

Pre Amp PCB

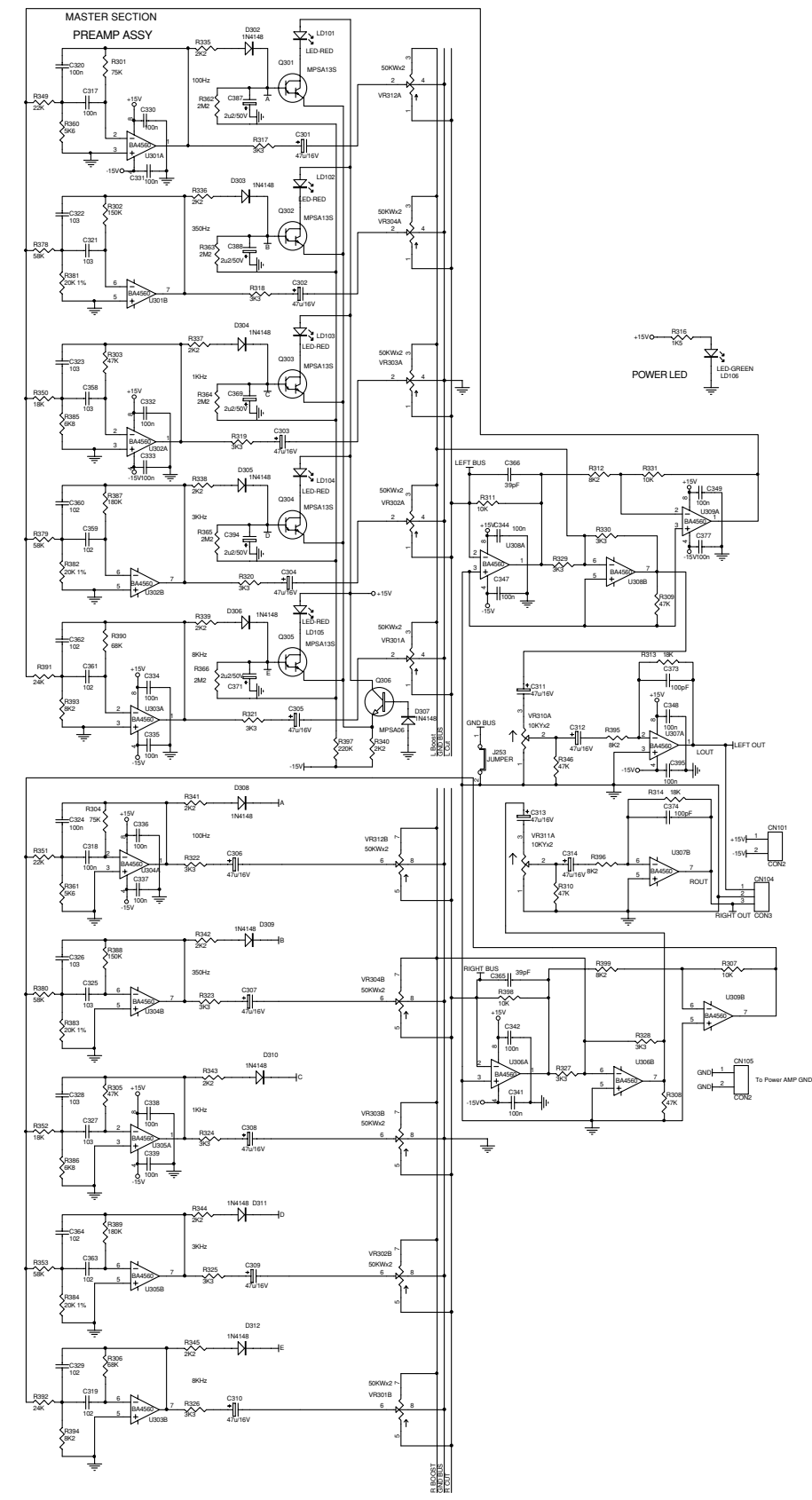
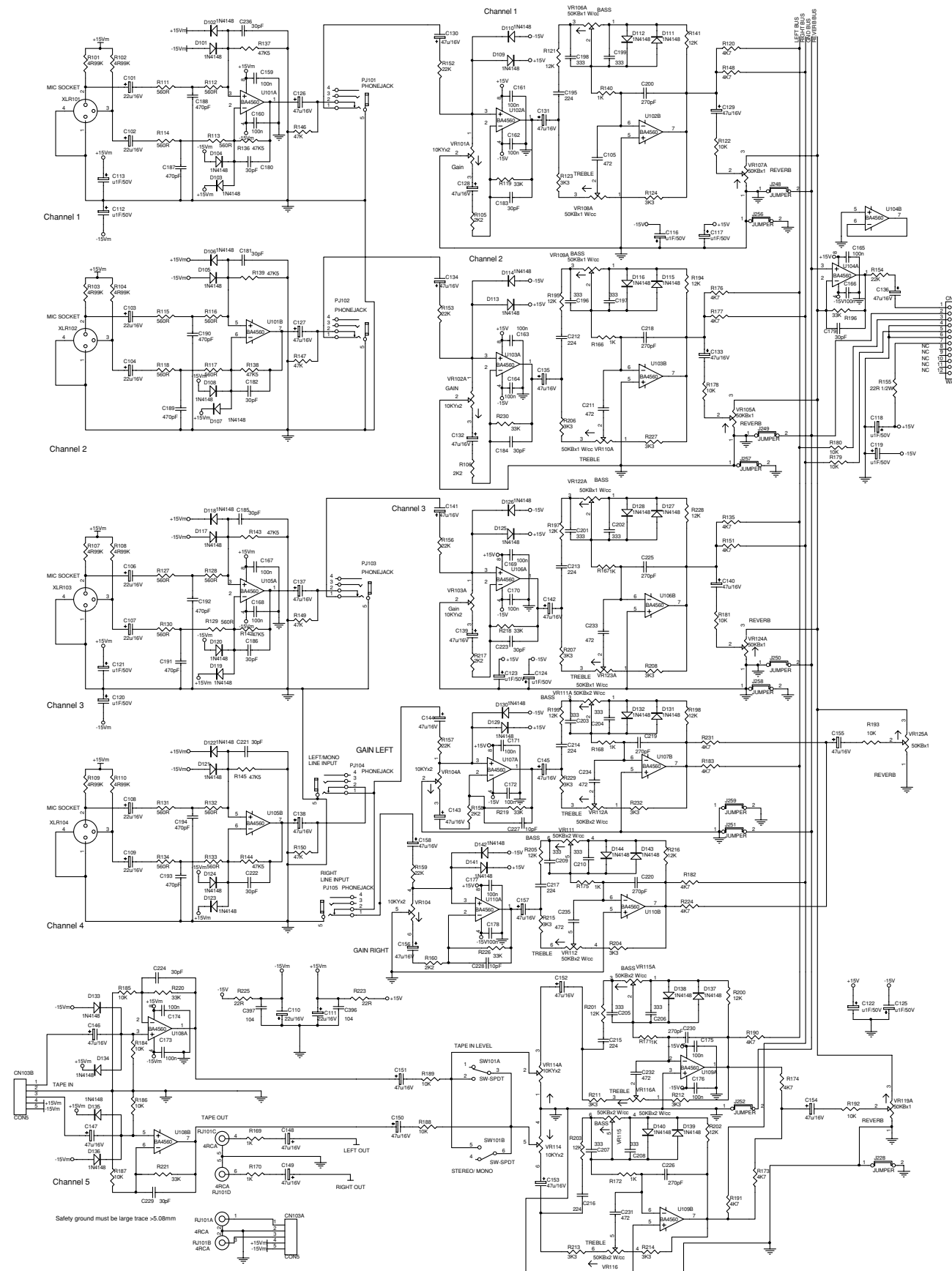


Fan Control PCB



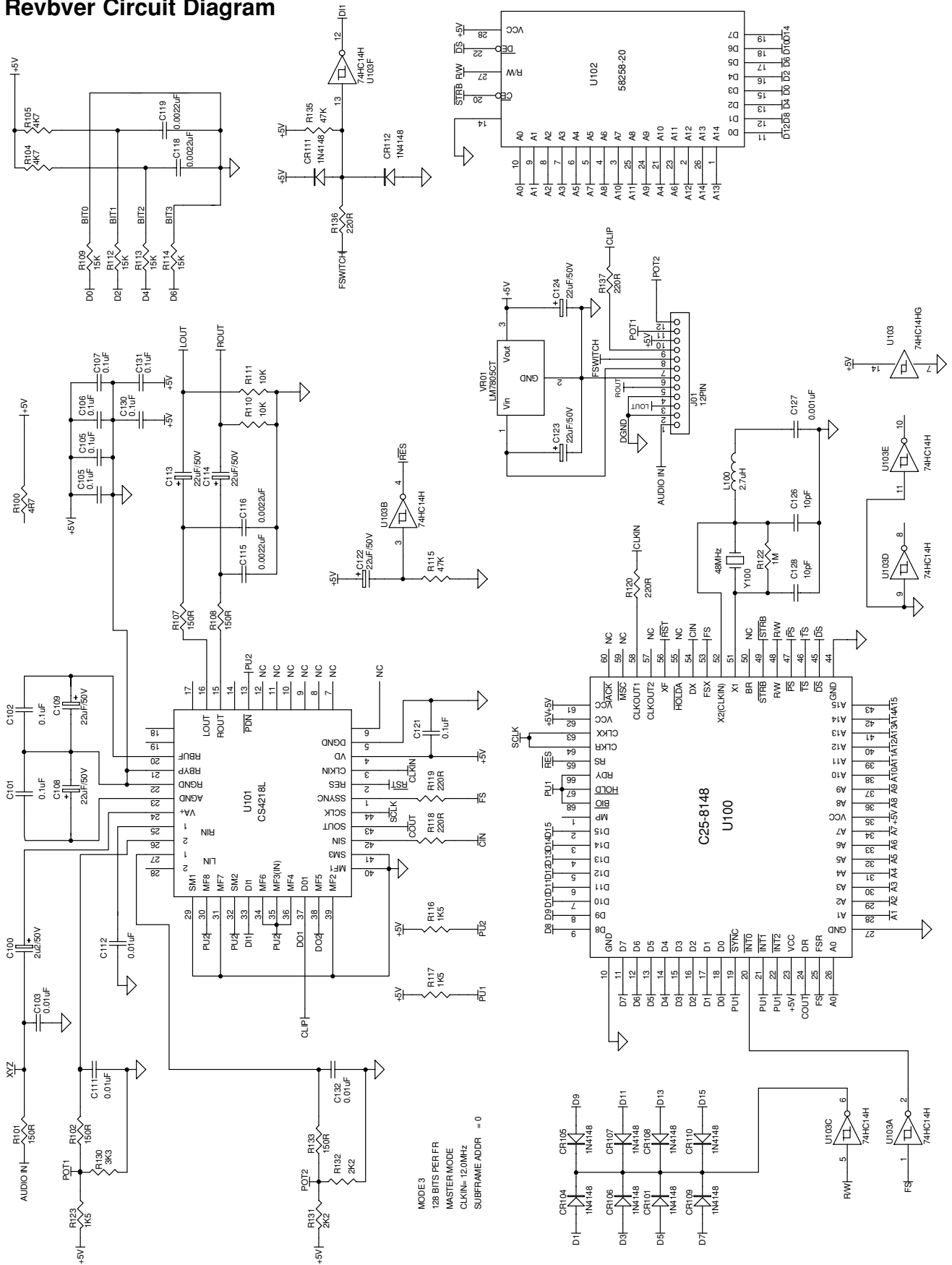
**SCHEMATIC DIAGRAMS**

**Pre Amp Schematic Diagram**



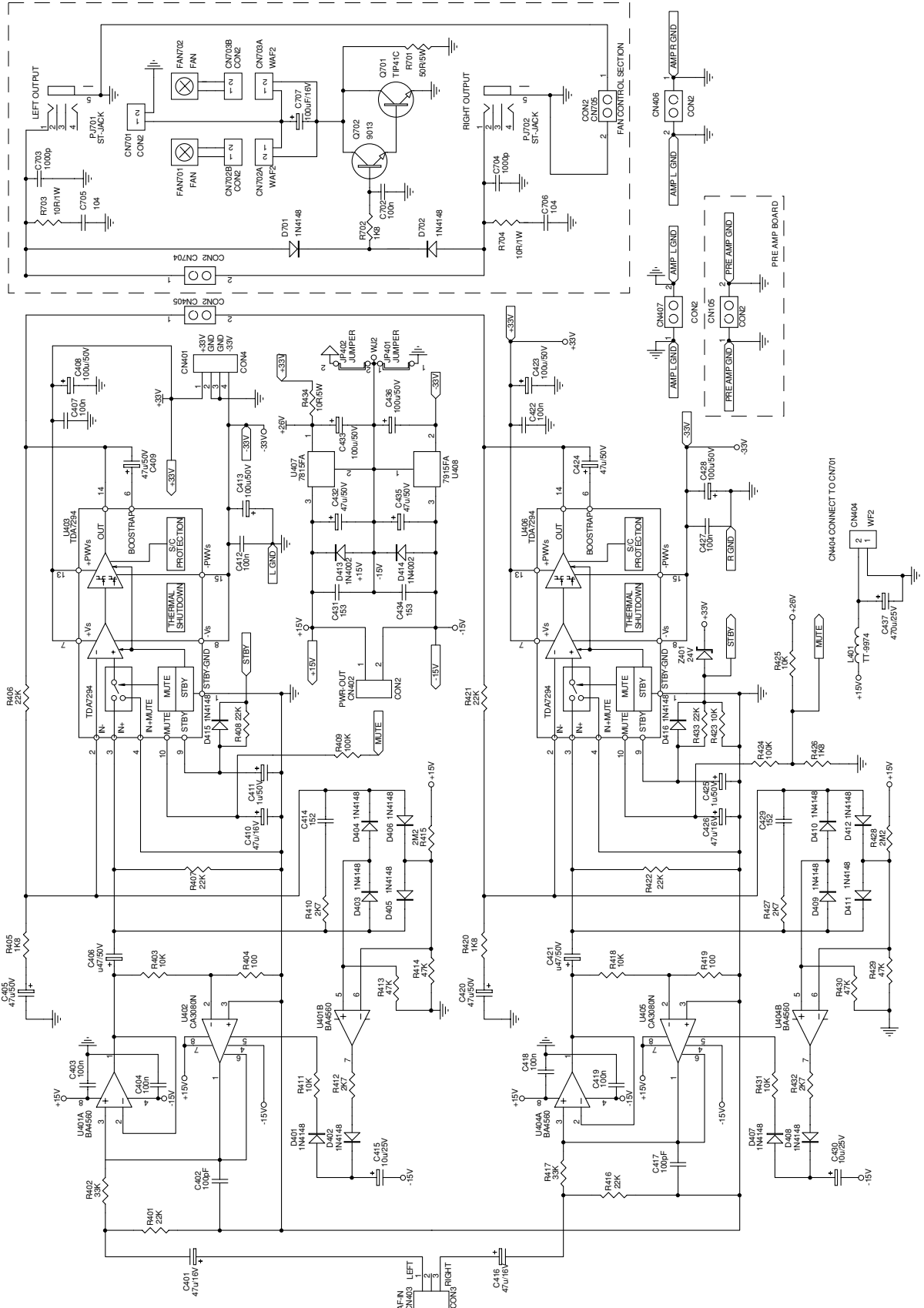
SCHEMATIC DIAGRAMS

DSP Revbver Circuit Diagram



SCHEMATIC DIAGRAMS

Power Amp Circuit Diagram



**ELECTRICAL PARTS LIST**

<b>Ref. NO.</b>	<b>Description</b>	<b>Mfr's Part No.</b>
<b><u>XR Digital Assembly</u></b>		
<b><i>Capacitors</i></b>		
C100	CE 50V 2.2μF 20% RL 4x7	157F-225M-5-GMK
C101-C102	CC 100V 0.1μF 20% 1206	150H-104M-6-CF
C103	CC 50V 0.01μF 20% 1206	150F-103M-6-CF
C104-C107	CC 100V 0.1μF 20% 1206	150H-104M-6-CF
C108-C109	CE 50V 22μF 20% RL 5X11	157F-226M-5-IU
C111-C112	CC 50V 0.01μF 20% 1206 1	150F-103M-6-CF
C113-C114	CE 50V 22μF 20% RL 5X11	157F-226M-5-IU
C115-C119	CC 50V 2200pF 10% 1206 1	150F-222K-6-CF
C121	CC 100V 0.1μF 20% 1206	150H-104M-6-CF
C122-C124	CE 50V 22μF 20% RL 5X11	157F-226M-5-IU
C126	CC 50V 10pF 0.5pF 0805 1	150F-100D-J-BD
C127	CC 50V 0.01μF 10% 1206 1	150F-103K-6-CF
C128	CC 50V 10pF 0.5pF 0805 1	150F-100D-J-BD
C130-C131	CC 100V 0.1μF 20% 1206	150H-104M-6-CF
C132	CC 50V 0.01μF 20% 1206 1	150F-103M-6-CF
<b><i>Diodes</i></b>		
CR101, CR104-CR112	DIODE LL4148 SM	4804-1480-3
<b><i>Miscellaneous</i></b>		
FOR VR01	M3 NUT NI	2640-3022-0544
FOR VR01	M3X8MM (NICKEL)	2904-3008-4000
J01	12 Pin FLAT CABLE P=2.54	7412-2080-21
L100	COIL 2.7UH 10% AL BL 7.0	1801-2R7K-M
Y100	CRYSTAL 48.000MHZ 3RD	2300-0600-0
Y100	WJ #23 AT FOR AI MACHINE	635N-0001-0
<b><i>ICs</i></b>		
U100	IC 16-BIT MASKED DSP	3131-7060-0
U101	IC CS4218-KL CODEC -SMT	3131-7070-0
U102	IC KM68257C-15 32KX8	3130-8610-0
U103	IC 74HC14 SOP PACKAGE	3130-8680-0
VR01	IC 7805 REG 5V 1.5A	3130-2020-3
<b><i>Resistors</i></b>		
C120, C133	RMG 1/8W OR 5% 1206	4721-000J-6
R100	RMG 1/8W 4.7R 5% 1206	4721-4R7J-6
R101-R102	RMG 1/8W 150R 5% 1206	4721-151J-6
R104-R105	RMG 1/8W 4.7K 5% 1206	4721-472J-6
R107-R108	RMG 1/8W 150R 5% 1206	4721-151J-6
R109	RMG 1/8W 15K 5% 1206	4721-153J-6
R110-R111	RMG 1/8W 10K 5% 1206	4721-103J-6
R112-R114	RMG 1/8W 15K 5% 1206	4721-153J-6
R115	RMG 1/8W 47K 5% 1206	4721-473J-6
R116-R117	RMG 1/8W 1K 5% 1206	4721-102J-6
R118-R120	RMG 1/8W 220R 5% 1206	4721-221J-6
R122	RMG 1/8W 1M 5% 1206	4721-105J-6
R123	RMG 1/8W 1.5K 5% 1206	4721-152J-6

**ELECTRICAL PARTS LIST**

<b>Ref. No.</b>	<b>Description</b>	<b>Mfr's Part No.</b>
R124	RMG 1/8W OR 5% 1206	4721-000J-6
R130	RMG 1/8W 3.3K 5% 1206	4721-332J-6
R131-R132	RMG 1/8W 2.2K 5% 1206	4721-222J-6
R133	RMG 1/8W 150R 5% 1206	4721-151J-6
R134	RMG 1/8W OR 5% 1206	4721-000J-6
R135	RMG 1/8W 47K 5% 1206	4721-473J-6
R136-R137	RMG 1/8W 220R 5% 1206	4721-221J-6
<b><u>Fan Control Assembly</u></b>		
<b>Capacitors</b>		
C702	CC 50V 0.1 $\mu$ F 20% RLF	150F-104M-N-FD
C703-C704	CC 50V 1000PF 10% RL 5x3	150F-102K-5-IEA
C705-C706	CM 100V 0.1 $\mu$ F 10% RL	153H-104K-5-QUA
C707	CE 16V 100 $\mu$ F 20% RL 5x11	157D-107M-5-IU
<b>Diodes</b>		
D701-D702	DIODE 1N4148 NS	4840-8060-2
<b>Jacks</b>		
PJ701-PJ702	REAR PHONE JACK 5 PIN	2113-1340-0
<b>Resistors</b>		
R701	RWR 5W 50R 5% AL VERTICAL	474B-500J-1
R702	RCF 1/8W 1.8K 5% AT	4701-182J-2
R703-R704	RMF 1W 10R 5% AT FUSIBLE	4718-100J-2-F
<b>Transistors</b>		
Q701	TR TIP 41C SGS	4860-8470-0
Q702	TR 9013H SAMSUNG	4860-8720-5
<b>Wafers</b>		
CN701	2504 M/F 2 PIN HOUSING 1	7011-5230-0
CN702-CN703	JM24182-2P WAFER	2101-9120-0
<b><u>Fan Casing Assembly</u></b>		
GND/GND	CN ASSY UL1007 #18 L=100	7010-0090-F
L/R	UL1007 #18 Y/B L=90 2 PO	7010-2146-0
PJ701/PJ702	M9 NUT THK4.5MM PE050C	4134-2731-0
<b><u>Pre Amp Assembly</u></b>		
<b>Capacitors</b>		
C101-C104	CE 16V 22 $\mu$ F 20% RL 5x11	157D-226M-5-IU
C105	CM 100V 0.0047 $\mu$ F 10% RL	153H-472K-5-JNA
C106-C111	CE 16V 22 $\mu$ F 20% RL 5x11	157D-226M-5-IU
C112-C113, C116-C125	CE 50V 0.1 $\mu$ F 20% RL 5x11	157F-104M-5-IU
C126-C158	CE 16V 47 $\mu$ F 20% RL 5x11	157D-476M-5-IU
C159-C178	CC 50V 0.1 $\mu$ F 20% RLF	150F-104M-N-FD
C179-C186	CC 50V 30PF 10% RL 4X4	150F-300K-5-GG
C187-C194	CC 50V 470PF 10% RL 5x3	150F-471K-5-IEA
C195	CM 100V 0.22 $\mu$ F 10% RL	153H-224K-5-VYA

**ELECTRICAL PARTS LIST**

<b>Ref. No.</b>	<b>Description</b>	<b>Mfr's Part No.</b>
C196-C199	CM 100V 0.033μF 10% RL 7	153H-333K-5-MRA
C200	CC 50V 270PF 10% RL 5x3	150F-271K-5-IEA
C201-C210	CM 100V 0.033μF 10% RL 7	153H-333K-5-MRA
C211	CM 100V 0.0047μF 10% RL	153H-472K-5-JNA
C212-C217	CM 100V 0.22μF 10% RL	153H-224K-5-VYA
C218-C220	CC 50V 270PF 10% RL 5x3	150F-271K-5-IEA
C221-C224	CC 50V 30PF 10% RL 4X4	150F-300K-5-GG
C225-C226	CC 50V 270PF 10% RL 5x3	150F-271K-5-IEA
C227-C228	CC 50V 10PF 10% RL 5X3	150F-100K-5-IEA
C229	CC 50V 30PF 10% RL 4X4	150F-300K-5-GG
C230	CC 50V 270PF 10% RL 5x3	150F-271K-5-IEA
C231-C235	CM 100V 0.0047μF 10% RL	153H-472K-5-JNA
C236	CC 50V 30PF 10% RL 4X4	150F-300K-5-GG
C301-C314	CE 16V 47μF 20% RL 5x11	157D-476M-5-IU
C317-C318	CC 50V 0.1μF 20% RLF	150F-104M-N-FD
C319	CM 100V 0.001μF 10% RL	153H-102K-5-INA
C320	CC 50V 0.1μF 20% RLF	150F-104M-N-FD
C321-C323	CM 100V 0.01μF 10% RL	153H-103K-5-KNA
C324	CC 50V 0.1μF 20% RLF	150F-104M-N-FD
C325-C328	CM 100V 0.01μF 10% RL	153H-103K-5-KNA
C329	CM 100V 0.001μF 10% RL	153H-102K-5-INA
C330-C339, C341-C342	CC 50V 0.1μF 20% RLF	150F-104M-N-FD
C344, C347-C349	CC 50V 0.1μF 20% RLF	150F-104M-N-FD
C358	CM 100V 0.01μF 10% RL	153H-103K-5-KNA
C359-C364	CM 100V 0.001μF 10% RL	153H-102K-5-INA
C365-C366	CC 50V 39PF 10% RL 5x3	150F-390K-5-IEA
C369, C371	CE 50V 2.2μF 20% RL 5x11	157F-225M-5-IU
C373-C374	CC 50V 100PF 10% RL 5X3	150F-101K-5-IEA
C377	CC 50V 0.1μF 20% RLF	150F-104M-N-FD
C387-C388, C394	CE 50V 2.2μF 20% RL 5x11	157F-225M-5-IU
C395	CC 50V 0.1μF 20% RLF	150F-104M-N-FD
C396-C397	CM 100V 0.1μF 10% RL	153H-104K-5-QUA
<b>Diodes</b>		
D101-D144, D302-D312	DIODE 1N4148 NS	4840-8060-2
<b>ICs</b>		
U101-U110, U301-U309	IC BA4560 ROHM	3131-6140-0
<b>Jacks</b>		
PJ101-PJ105	REAR PHONE JACK 5 PIN	2113-1340-0
<b>LEDs</b>		
LD101-LD105	LED SIL-3143D 3MM RED	3700-9516-0
LD106	SIL 3144D GREEN LED 3MM	3700-9509-0
<b>Miscellaneous</b>		
CN101	UL1007 #26 R/B L=300 2 P	7010-2148-0
CN102	WAFER 12 PIN P=2.5 WIRE	2101-1349-0
CN103	5 POS HOUSING ASSY	7010-2145-0

**ELECTRICAL PARTS LIST**

<b>Ref. No.</b>	<b>Description</b>	<b>Mfr's Part No.</b>
CN104	UL2547 #26 R/W GRD 450MM	7010-2128-0
CN105	CN ASSY UL1007 #18 L=180	7010-3040-0
RJ101	4RCA JACK JKO40057ON N/P	2113-1293-0
SW101	PUSH SW PS828L 8x8mm MIC	5200-3573-0-00
LD101-LD106	LED HOLDER LED3-11	4154-1331-0
<b>Resistors</b>		
R101-R104	RMF 1/8W 4.99K 1% AT	4711-4991-2
R105-R106	RCF 1/8W 2.2K 5% AT	4701-222J-2
R107-R110	RMF 1/8W 4.99K 1% AT	4711-4991-2
R111-R118	RCF 1/8W 560R 5% AT	4701-561J-2
R119	RCF 1/8W 33K 5% AT	4701-333J-2
R120	RCF 1/8W 4.7K 5% AT	4701-472J-2
R121	RCF 1/8W 12K 5% AT	4701-123J-2
R122	RCF 1/8W 10K 5% AT	4701-103J-2
R123-R124	RCF 1/8W 3.3K 5% AT	4701-332J-2
R127-R134	RCF 1/8W 560R 5% AT	4701-561J-2
R135	RCF 1/8W 4.7K 5% AT	4701-472J-2
R136-R139	RMF 1/8W 47.5K 1% AT	4711-4752-2
R140	RCF 1/8W 1K 5% AT	4701-102J-2
R141	RCF 1/8W 12K 5% AT	4701-123J-2
R142-R145	RMF 1/8W 47.5K 1% AT	4711-4752-2
R146-R147	RCF 1/8W 47K 5% AT	4701-473J-2
R148	RCF 1/8W 4.7K 5% AT	4701-472J-2
R149-R150	RCF 1/8W 47K 5% AT	4701-473J-2
R151	RCF 1/8W 4.7K 5% AT	4701-472J-2
R152-R157	RCF 1/8W 22K 5% AT	4701-223J-2
R158	RCF 1/8W 2.2K 5% AT	4701-222J-2
R159	RCF 1/8W 22K 5% AT	4701-223J-2
R160	RCF 1/8W 2.2K 5% AT	4701-222J-2
R166-R172	RCF 1/8W 1K 5% AT	4701-102J-2
R173-R174	RCF 1/8W 4.7K 5% AT	4701-472J-2
R175	RCF 1/8W 1K 5% AT	4701-102J-2
R176-R177	RCF 1/8W 4.7K 5% AT	4701-472J-2
R178-R181	RCF 1/8W 10K 5% AT	4701-103J-2
R182-R183	RCF 1/8W 4.7K 5% AT	4701-472J-2
R184-R189	RCF 1/8W 10K 5% AT	4701-103J-2
R190-R191	RCF 1/8W 4.7K 5% AT	4701-472J-2
R192-R193	RCF 1/8W 10K 5% AT	4701-103J-2
R194-R195	RCF 1/8W 12K 5% AT	4701-123J-2
R196	RCF 1/8W 33K 5% AT	4701-333J-2
R197-R204	RCF 1/8W 12K 5% AT	4701-123J-2
R205	RCF 1/8W 12K 5% AT	4701-123J-2
R206-R208	RCF 1/8W 3.3K 5% AT	4701-332J-2
R211-R215	RCF 1/8W 3.3K 5% AT	4701-332J-2
R216	RCF 1/8W 12K 5% AT	4701-123J-2
R217	RCF 1/8W 2.2K 5% AT	4701-222J-2
R218-R221	RCF 1/8W 33K 5% AT	4701-333J-2
R223	RCF 1/8W 22R 5% AT	4701-220J-2
R224	RCF 1/8W 4.7K 5% AT	4701-472J-2



**ELECTRICAL PARTS LIST**

<b>Ref. No.</b>	<b>Description</b>	<b>Mfr's Part No.</b>
R225	RCF 1/8W 22R 5% AT	4701-220J-2
R226	RCF 1/8W 33K 5% AT	4701-333J-2
R227	RCF 1/8W 3.3K 5% AT	4701-332J-2
R228	RCF 1/8W 12K 5% AT	4701-123J-2
R229	RCF 1/8W 3.3K 5% AT	4701-332J-2
R230	RCF 1/8W 33K 5% AT	4701-333J-2
R231	RCF 1/8W 4.7K 5% AT	4701-472J-2
R232	RCF 1/8W 3.3K 5% AT	4701-332J-2
R301	RCF 1/8W 56K 5% AT	4701-563J-2
R302	RCF 1/8W 150K 5% AT	4701-154J-2
R303	RCF 1/8W 47K 5% AT	4701-473J-2
R304	RCF 1/8W 56K 5% AT	4701-563J-2
R305	RCF 1/8W 47K 5% AT	4701-473J-2
R306	RCF 1/8W 68K 5% AT	4701-683J-2
R307	RCF 1/8W 10K 5% AT	4701-103J-2
R308	RCF 1/8W 47K 5% AT	4701-473J-2
R309-R310	RCF 1/8W 47K 5% AT	4701-473J-2
R311-R312	RCF 1/8W 10K 5% AT	4701-103J-2
R313-R314	RCF 1/8W 33K 5% AT	4701-333J-2
R316	RCF 1/8W 1.5K 5% AT	4701-152J-2
R317-R330	RCF 1/8W 3.3K 5% AT	4701-332J-2
R331	RCF 1/8W 10K 5% AT	4701-103J-2
R335-R345	RCF 1/8W 2.2K 5% AT	4701-222J-2
R346	RCF 1/8W 47K 5% AT	4701-473J-2
R349	RCF 1/8W 22K 5% AT	4701-223J-2
R350	RCF 1/8W 18K 5% AT	4701-183J-2
R351	RCF 1/8W 22K 5% AT	4701-223J-2
R352	RCF 1/8W 18K 5% AT	4701-183J-2
R353	RCF 1/8W 58K 5% AT	4701-583J-2
R360-R361	RCF 1/8W 5.1K 5% AT	4701-512J-2
R362-R366	RCF 1/8W 2.2M 5% AT	4701-225J-2
R378-R380	RCF 1/8W 58K 5% AT	4701-583J-2
R381-R384	RMF 1/8W 20K 1% AT	4711-203A-2
R385-R386	RCF 1/8W 6.8K 5% AT	4701-682J-2
R387-R389	RCF 1/8W 150K 5% AT	4701-154J-2
R390	RCF 1/8W 68K 5% AT	4701-683J-2
R391-R392	RMF 1/8W 24K 1% AT	4711-243A-2
R393-R396	RCF 1/8W 8.2K 5% AT	4701-822J-2
R397	RCF 1/8W 220K 5% AT	4701-224J-2
R398-R399	RCF 1/8W 10K 5% AT	4701-103J-2
<b>Sockets</b>		
XLR101-XLR104	DIN SOCKET JY-5033-030GD	2113-1294-0
<b>Transistors</b>		
Q301-Q305	TR MPS A13 VCE 100V	4860-8900-0
Q306	TR MPS A06 VCE 80V NS	4860-8890-0
<b>Volumes</b>		
VR101-VR103	VR SINGLE SLIDE 10KYX1 L	4750-5350-0

**ELECTRICAL PARTS LIST**

<b>Ref. No.</b>	<b>Description</b>	<b>Mfr's Part No.</b>
VR104	VR DUAL SLIDE 10KYX2 L=6	4750-5390-0
VR105	RV09AC-40-25F-B54 B50KX1	4750-5360-0
VR106	RV09AC-40-25F-B54-OC B50	4750-5370-0
VR107	RV09AC-40-25F-B54 B50KX1	4750-5360-0
VR108-VR110	RV09AC-40-25F-B54-OC B50	4750-5370-0
VR111-VR112	VR RV112B-40E1-175A-8540	4750-5380-1
VR114	VR DUAL SLIDE 10KYX2 L=6	4750-5390-0
VR115-VR116	VR RV112B-40E1-175A-8540	4750-5380-1
VR119	RV09AC-40-25F-B54 B50KX1	4750-5360-0
VR122-VR123	RV09AC-40-25F-B54-OC B50	4750-5370-0
VR124-VR125	RV09AC-40-25F-B54 B50KX1	4750-5360-0
VR301-VR304	RS20H124D 50KWX2 W/CC AL	4750-5346-0
VR310-VR311	VR SINGLE SLIDE 10KYX1 L	4750-5350-0
VR312	RS20H124D 50KWX2 W/CC AL	4750-5346-0
<b><u>Pre Amp Casing Assembly</u></b>		
FOR PRE PCB	SHIELD PLATE	4135-1331-0
FOR PRE PCB	RUBBER PAD 12 X 6 X 5 M	4153-1550-0
FOR PRE PCB	SCREW M2.6X6 M/C BH,BK	2904-2606-3000
SHIELD PLATE	EXT TOOTH WASHER M3X1X6M	2605-3010-0600
SHIELD PLATE	MASKING TAPE 1"	9500-0430-0
SW101	PUSH BUTTON	2444-4801-0
PRE-PCB	PCB SPACER SUPPORT LCA-6	4152-7270-0
<b><u>Power Amp assembly</u></b>		
<b><u>Capacitors</u></b>		
C401	CE 16V 47µF 20% RL 5x11	157D-476M-5-IU
C402	CC 50V 100PF 10% RL 5X3	150F-101K-5-IEA
C403-C404	CC 50V 0.1µF 20% RLF	150F-104M-N-FD
C405	CE 50V 47µF 20% RL 8X11	157F-476M-5-OU
C406	CE 50V 0.47µF 20% RL	157F-474M-5-IU
C407	CC 50V 0.1µF 20% RLF	150F-104M-N-FD
C408	CE 50V 100µF 20% RL 8x12	157F-107M-5-OW
C409	CE 50V 47µF 20% RL 8X11	157F-476M-5-OU
C410	CE 16V 47µF 20% RL 5x11	157D-476M-5-IU
C411	CE 50V 1µF 20% RL 5x11	157F-105M-5-IU
C412	CC 50V 0.1µF 20% RLF	150F-104M-N-FD
C413	CE 50V 100µF 20% RL 8x12	157F-107M-5-OW
C414	CM 100V 0.0015µF 10% RL	153H-152K-5-INA
C415	CE 25V 10µF 20% RL 5x11	157E-106M-5-IU
C416	CE 16V 47µF 20% RL 5x11	157D-476M-5-IU
C417	CC 50V 100PF 10% RL 5X3	150F-101K-5-IEA
C418-C419	CC 50V 0.1µF 20% RLF	150F-104M-N-FD
C420	CE 50V 47µF 20% RL 8X11	157F-476M-5-OU
C421	CE 50V 0.47µF 20% RL	157F-474M-5-IU
C422	CC 50V 0.1µF 20% RLF	150F-104M-N-FD
C423	CE 50V 100µF 20% RL 8x12	157F-107M-5-OW
C424	CE 50V 47µF 20% RL 8X11	157F-476M-5-OU
C425	CE 50V 1µF 20% RL 5x11	157F-105M-5-IU
C426	CE 16V 47µF 20% RL 5x11	157D-476M-5-IU

**ELECTRICAL PARTS LIST**

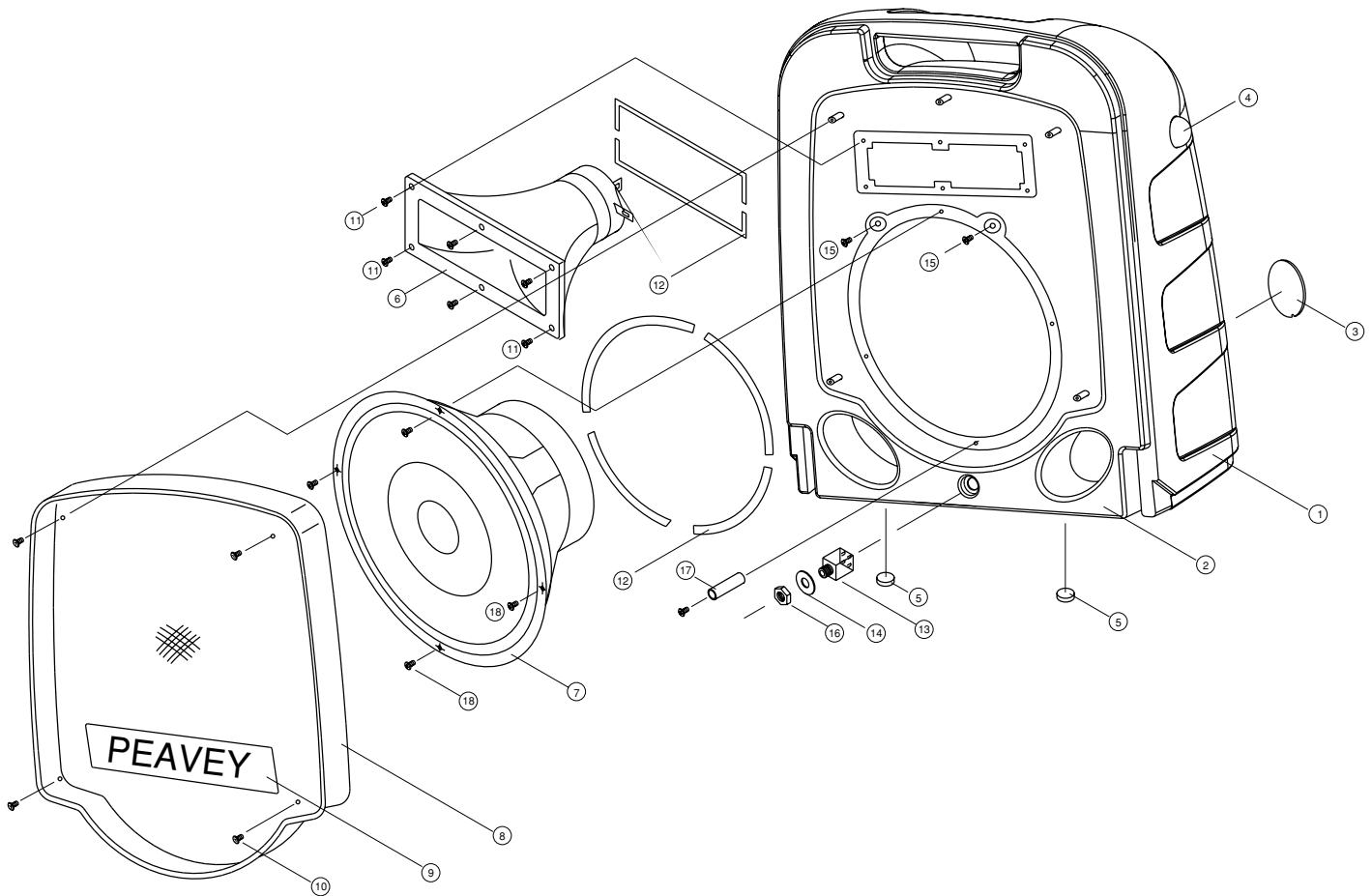
<b>Ref. No.</b>	<b>Description</b>	<b>Mfr's Part No.</b>
C427	CC 50V 0.1µF 20% RLF	150F-104M-N-FD
C428	CE 50V 100µF 20% RL 8x12	157F-107M-5-OW
C429	CM 100V 0.0015µF 10% RL	153H-152K-5-INA
C430	CE 25V 10µF 20% RL 5x11	157E-106M-5-IU
C431	CM 100V 0.015µF 10% RL	153H-153K-5-KRA
C432	CE 50V 47µF 20% RL 8X11	157F-476M-5-OU
C433	CE 50V 100µF 20% RL 8x12	157F-107M-5-OW
C434	CM 100V 0.015µF 10% RL	153H-153K-5-KRA
C435	CE 50V 47µF 20% RL 8X11	157F-476M-5-OU
C436	CE 50V 100µF 20% RL 8x12	157F-107M-5-OW
C437	CE 25V 470µF 20% RL 85C	157E-477M-5-O4
<b>Diodes</b>		
D401-D412	DIODE 1N4148 NS	4840-8060-2
D413-D414	DIODE RECT 1N4002 AL	4804-0020-1
D415-D416	DIODE 1N4148 NS	4840-8060-2
<b>ICs</b>		
U401	IC BA4560 ROHM	3131-6140-0
U402	IC LM3080N OTA NATIONAL	3130-9150-0
U403	IC TDA7294 DMOS AUDIO	3130-8530-0
U404	IC BA4560 ROHM	3131-6140-0
U405	IC LM3080N OTA NATIONAL	3130-9150-0
U406	IC TDA7294 DMOS AUDIO	3130-8530-0
U407	REGULATOR 7815 FA	4860-8650-0
U408	REGULATOR NJM 7915FA	4860-8660-0
Z401	DZ 1/2W 24V TEMIC AT	4837-24V6-2
<b>Miscellaneous</b>		
CN705	CN ASSY UL1007 #18 L=180	7010-3040-0
CN706	CN ASSY UL1007 #18 L=100	7010-0090-F
FOR PCB L/R	UL1007 #18 Y/B L=90 2 PO	7010-2147-0
L401	TT-9974 TOROIDAL CHOKE T	1806-2374-0
Z401	DZ 1/2W 24V TEMIC AT	4837-24V6-2
<b>Resistors</b>		
R401	RCF 1/4W 22K 5% AT	4705-223J-2
R402	RCF 1/4W 33K 5% AT	4705-333J-2
R403	RCF 1/4W 10K 5% AT	4705-103J-2
R404	RCF 1/4W 100R 5% AT	4705-101J-2
R405	RCF 1/4W 1.8K 5% AT	4705-182J-2
R406-R408	RCF 1/4W 22K 5% AT	4705-223J-2
R409	RCF 1/4W 100K 5% AT	4705-104J-2
R410	RCF 1/4W 2.7K 5% AT	4705-272J-2
R411	RCF 1/4W 10K 5% AT	4705-103J-2
R412	RCF 1/4W 2.7K 5% AT	4705-272J-2
R413-R414	RCF 1/4W 47K 5% AT	4705-473J-2
R415	RCF 1/4W 2.2M 5% AT	4705-225J-2
R416	RCF 1/4W 22K 5% AT	4705-223J-2
R417	RCF 1/4W 33K 5% AT	4705-333J-2

**ELECTRICAL PARTS LIST**

<b>Ref. No.</b>	<b>Description</b>	<b>Mfr's Part No.</b>
R418	RCF 1/4W 10K 5% AT	4705-103J-2
R419	RCF 1/4W 100R 5% AT	4705-101J-2
R420	RCF 1/4W 1.8K 5% AT	4705-182J-2
R421-R422	RCF 1/4W 22K 5% AT	4705-223J-2
R423	RCF 1/4W 10K 5% AT	4705-103J-2
R424	RCF 1/4W 100K 5% AT	4705-104J-2
R425	RCF 1/4W 10K 5% AT	4705-103J-2
R426	RCF 1/4W 1.8K 5% AT	4705-182J-2
R427	RCF 1/4W 2.7K 5% AT	4705-272J-2
R428	RCF 1/4W 2.2M 5% AT	4705-225J-2
R429-R430	RCF 1/4W 47K 5% AT	4705-473J-2
R431	RCF 1/4W 10K 5% AT	4705-103J-2
R432	RCF 1/4W 2.7K 5% AT	4705-272J-2
R433	RCF 1/4W 22K 5% AT	4705-223J-2
R434	RWR 5W 10R 5% AL	474B-100J-1
<b><i>Wafers</i></b>		
CN401	JM2422-4M WAFER	2101-9100-0
CN402	JM24182-2P WAFER	2101-9120-0
CN403	WAFER JM24182-3P	2101-9140-0
CN404	JM24182-2P WAFER	2101-9120-0
<b><u>Power Amp Casing Assembly</u></b>		
7815/7915	SCREW B-TITE PH M3X 8 MM	2950-3008-0020
FOR IC	B-TITE 3X14MM(BLK.ZN)	2954-3014-3000
HS	S-TITE 3X8 (BLK)	2944-3008-3000
H.S	T3X8MM SELF TAPPING	2954-3008-3000
H.S BKT	T3X8MM SELF TAPPING	2954-3008-3000
HEAT SINK	HEAT SINK MOUNTING BKT	4134-2461-0
PCB	FIBRE WASHER M3X0.8X8MM	2601-3008-0801
PCB/BKT	METAL WASHER M3X0.5X8MM	2600-3005-0803
PCB/BKT	SPRING WASHER M3X0.9X5.5	2607-3009-0553
U403 U406	MICA TO-3P2 22X25MM	3100-4991-0
U403 U406	HEAT SINK PE050C	5400-3201-0
WIRE	PLASTIC CABLE TIE 97MM	6360-0011-0
U403 U406	2688-15-0 TH/SW BKT	4133-9090-0
<b><u>Smpps Module Assembly</u></b>		
SMPS	SWITCH MODE POWER SUPPLY	SVC-PE050C-SMPS
<b><u>Speaker Assembly</u></b>		
SPK BOX	SPEAKER 10"DRIVER 4 OHM	1525-1170-0

**EXPLODED VIEW • PARTS LIST**

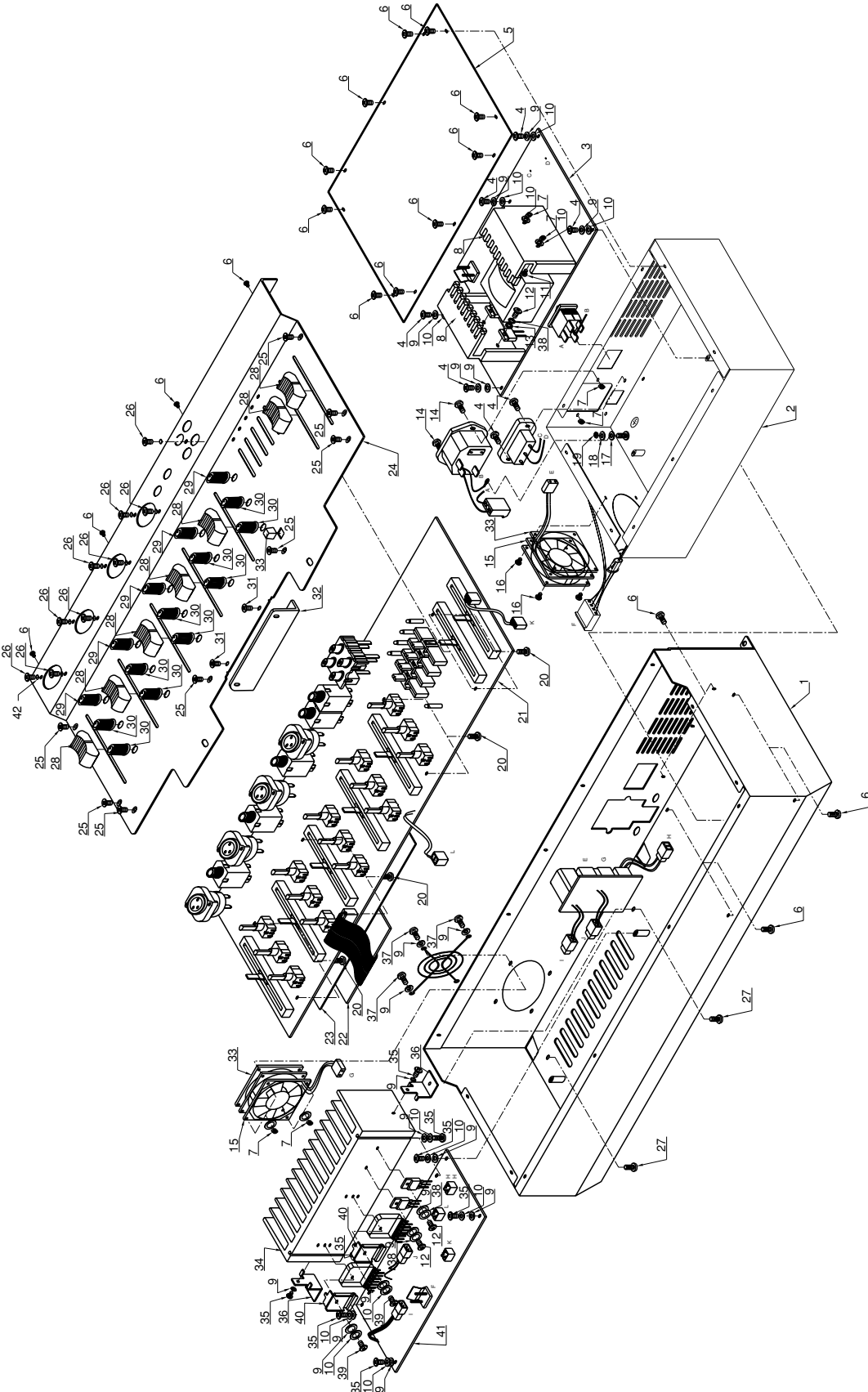
**Speaker Assy**



No.	Description	Mfr's Part No.	Q'ty
1	BACK BOX	4152-7210-1	1
2	BAFFLE	4152-7220-1	1
3	ESCORT 2000 LOGO	4152-7290-0	1
4	PUMPER	4152-7160-0	2
5	RUBBER FOOT	4154-3581-1	2
6	SPEAKER KP 306M 4OHM PIEZO CERAMIC	1525-1180-0	1
7	SPEAKER 10" DRIVER 4OHM	1525-1170-0	1
8	BAFFLE GRILLE	1403-6230-0	1
9	NAME PLATE	4152-7301-0	1
10	SCREW B-TITE FLAT-CS M3X10MM BZ CROSS	2951-3010-3000	4
11	SCREW BINDING HEAD M4X16	2913-4016-3000	6
12	FOAM STRIP	4152-1221-0	6
13	REAR PHONE JACK 5 PIN	2113-1340-0	1
14	M9 WASHER BK ZINC	2600-9005-1403	1
15	SCREW MACH M4X14 BLK	2904-4014-3000	2
16	M9 NUT THK 4.5MM	4134-2731-0	1
17	PILLAR	4154-1971-0	1
18	SCREW B-TITE BH M4X14MM	2954-4014-3000	4

EXPLODED VIEW • PARTS LIST

Latch Assy

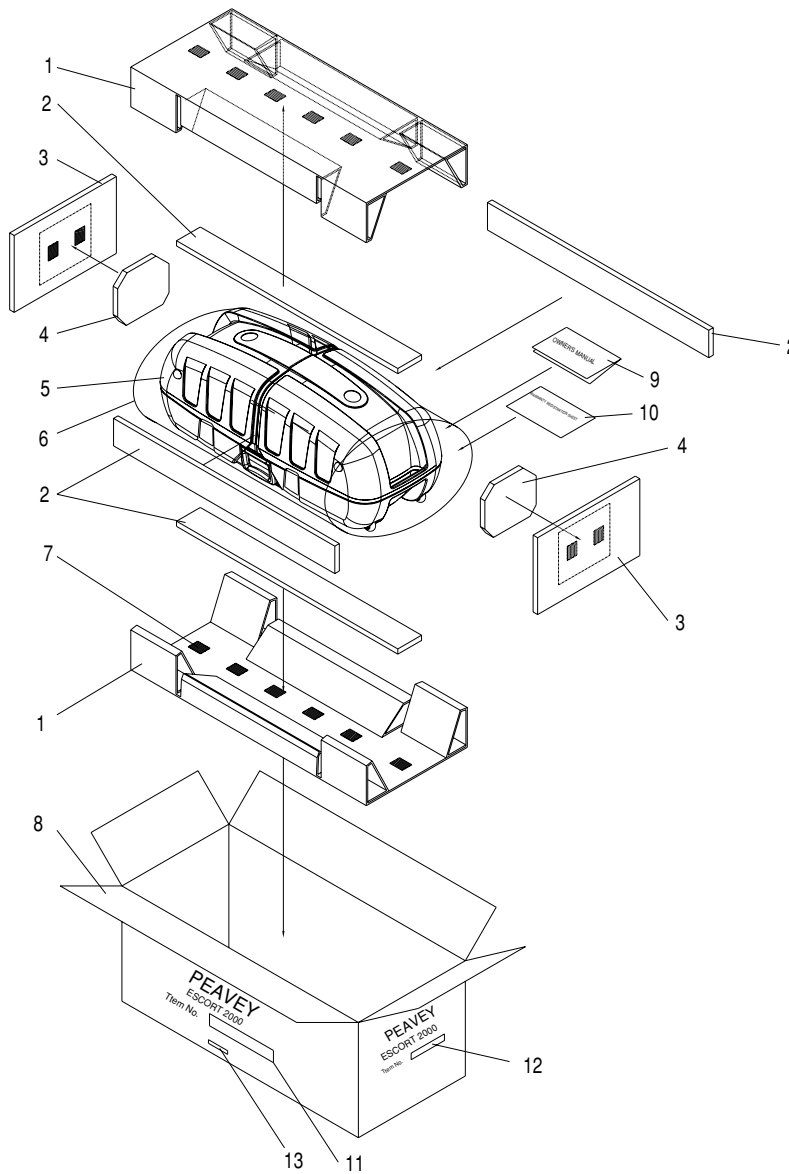


**EXPLODED VIEW • PARTS LIST**

<b>No.</b>	<b>Description</b>	<b>Mfr's Part No.</b>	<b>Q'ty</b>
1	BOTTOM COVER	1403-6220-0	1
2	SWITCH POWER BOTTOM COVER	1403-6190-0	1
3	SWITCH POWER PCB	1723-748A-0000	1
4	SCREW M3*8 PM BZ	2900-3008-3000	7
5	SWITCH POWER TOP COVER	1403-6200-0	1
6	SCREW D3*6 S-TITE BH,BK	2944-3006-3000	21
7	M3 NUT NI	2640-3022-0544	8
8	HEAT SINK	5400-1891-0	2
9	METAL WASHER M3*0.5*8MM	2600-3005-0803	21
10	SPRING WASHER M3*0.9*5.5	2607-3009-0553	19
11	SCREW M3*14MM BZ	2904-3014-3000	2
12	SCREW B-TITE PH M3*8 MM YZ	2950-3008-0020	4
13	BUSHING TO-220A	4152-6830-0	2
14	M SCREW M3*12 P/H BLACK	2900-3012-3000	2
15	FAN	8900-2154-0	2
16	SCREW S-TITE PH M3*16MM	2940-3016-3000	4
17	INTTOOTH WASHER M4*0.8*8.5	2606-4008-0853	1
18	SPRING WASHER M4*1*7 NI	2607-4010-0704	1
19	NUT HEX M4	2640-4030-0704	1
20	SCREW M2.6*6 M/C BH BK	2904-2606-3000	8
21	PRE AMP PCB	1723-746A-0000	1
22	PCB DIGITAL	1723-765A-0000	1
23	SHIELD PLATE	4135-1331-0	1
24	FRONT PANEL	1403-6210-0	1
25	SCREW M2.6*6 M/C CSH BK	2901-2606-3000	8
26	SCREW TAP M3*8 BZ	2930-3008-3001	9
27	T3x8mm self tapping	2954-3008-3000	2
28	VL BOTTON (BLACK&WHITE )	4152-7280-1	7
29	VR KNOB (GRAY & BLUE)	4152-7143-0	5
30	VR KNOB (GRAY & RED)	4152-7142-0	10
31	SCREW M3*6 BINDING BK	2904-3006-3000	2
32	BRACKET	4135-1321-0	1
33	RUBBER PAD 53*53MM W/DH	4152-7390-1	2
34	HEAT SINK	5400-3201-0	1
35	T3*8MM SELF TAPPING	2954-3008-3000	2
36	HEAT SINK MOUNTING BKT	4134-2461-0	2
37	SCREW PH M3*21MM BZ CROSS	2900-3021-3000	4
38	HEAT SINK MOUNTING BKT	4134-2461-0	2
39	B-TITE 3*14MM(BLK.Zn)	2954-3014-3000	2
40	2688-15-0 TH/SW BKT	4133-9090-0	2
41	PCB POWER AMP	1723-747A-0000	1
42	METAL WASHER M3x0.3x4MM WZ	2600-3003-0402	9

**EXPLODED VIEW • PARTS LIST**

**Packing Assy**



No.	Description	Mfr's Part No.	Q'ty
1	ESCORT 2000-P1-0 INNER PAD	1435-3100-0-2	2
2	ESCORT 2000-P4-0 PE FOAM	1490-3663-0	4
3	ESCORT 2000-P2-0 INNER PAD	435-3200-0-2	2
4	ESCORT 2000-P5-0 PE FOAM	1490-3673-0	2
5	ESCORT 2000 UNIT		1
6	ESCORT 2000-P6 POLYBAG 08x38x50"	1497-2792-0	1
7	HOT MELT GLUE	9500-0270-0	20G
8	ESCORT 2000 CARTON BOX	1435-3500-0-3	1
9	ESCORT 2000 OWNER'S MANUAL	4301-4133-0	1
10	WARRANTY REGISTRATION FORM	3050-2111-0	1
11	ITEM NUMBER LABEL LARGE	3000-9044-0	2
12	ITEM NUMBER LABEL SMALL	3000-9053-0	2
13	BAR CODE LABEL	3000-8917-0	1