

# Crystal Clock Oscillators - Leaded



## KXO-01 Series:

### TTL DRIVE-TTL Compatible

$f_o$ : 8 to 50MHz



### HOW TO ORDER

**KXO-01 - 1 - 32.0000M T**

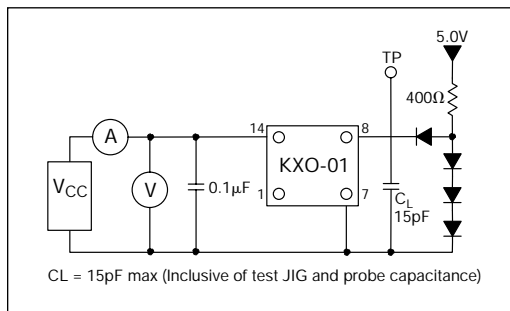
①      ②      ③      ④

- ① **Type:** (Kyocera Crystal Oscillators)
- ② **Frequency Precision:** 0 = ±50ppm (special)  
1 = ±100ppm
- ③ **Frequency**
- ④ **Standard Packaging:** T = tube (25 pcs.)

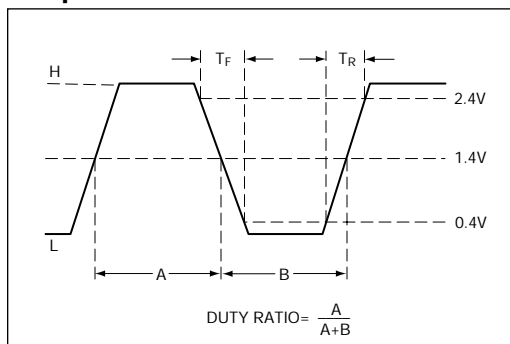
### Specifications

CLASSIFICATION	CODE	RATING	UNIT	REMARKS
Output Frequency	$f_{OUT}$	8-50	MHz	-----
Frequency Precision	$\Delta f/f$	0 : ±50 1 : ±100	ppm	Ta=0~+70°C
Aging Rate	$\Delta f/f$	±5	ppm/y	-----
Operating Temp.	T <sub>OPR</sub>	0~+70	°C	-----
Storage Temp.	T <sub>STR</sub>	-55~+125	°C	-----
Supply Voltage	V <sub>CC</sub>	5±0.5	V	-----
Supply Current	I <sub>CC</sub>	35 max.	mA	CL=15pF, • 10TTL Load, Temp.=25°C
Output	Duty Ratio	Sy	40~60	% 1.4V DC Level
	Output 0 Level	V <sub>OL</sub>	0.4 max.	V I <sub>OL</sub> =16mA
	Output 1 Level	V <sub>OH</sub>	2.4 min.	V I <sub>OH</sub> =400µA
	Rise/Fall Time	T <sub>R</sub> , T <sub>F</sub>	15 max.	nsec
10 max.			nsec	32.1~50MHz
Fan Out	-----	1~10	TTL	-----

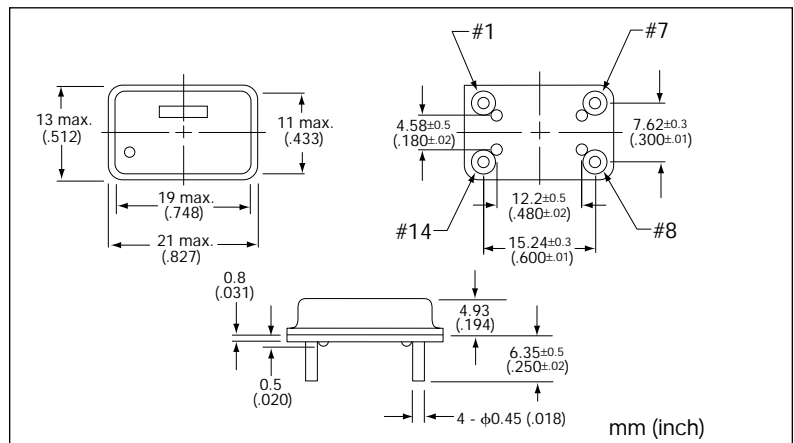
### Test Circuit



### Output Wave



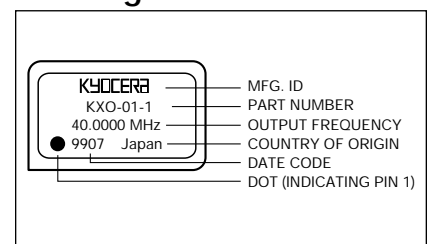
### Dimensions and PIN Identification



### Pin Connection

Pad #	Function
1	N.C.
7	CASE GND
8	OUTPUT
14	V <sub>CC</sub>

### Marking



Additional information on this product is available from AVX's catalog or AVX's FAX Service. Call 1-800-879-1613 and request document #139. Visit our website <http://www.avxcorp.com>

