



EXCEED PERSEVERANCE ELECTRONIC INDUSTRY CO., LTD.

深圳市超毅光电子有限公司

0.56" Triple Digit Display.

Part Number:

RL-T5610GDBW
RL-T5620SBRW

RL-T5610YCBW
RL-T5620RCBW

RL-T5620OCAW

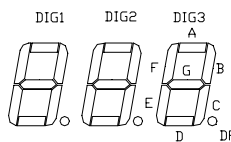
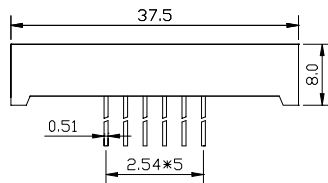
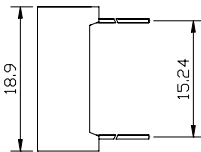
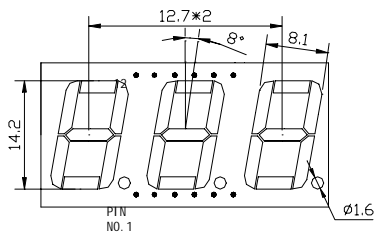
Features

- 1.LOW POWER CONSUMPTION.
- 2.RELIABLE AND RUGGED.
- 3.EXCELLENT UNIFORMITY OF LIGHT OUTPUT.
- 4.SUITABLE FOR LEVEL INDICATOR.
- 5.I.C COMPATIBLE.
- 6.LONG LIFE-SOLIDSTATE RELIABILITY.

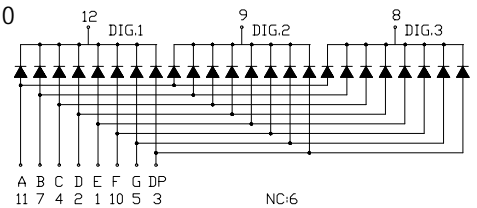
Notes:

- 1.All dimensions are in millimeters (inches)
- 2.Tolerance is $\pm 0.25(0.01'')$ unless otherwise niter
- 3.Lead spacing is measured where the lead emerge package
- 4.Speciflcations are subject to change without notice

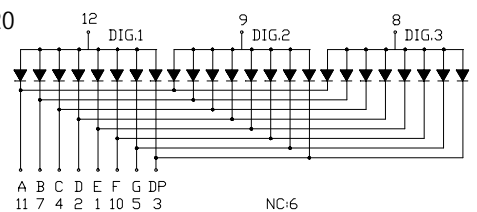
Package Dimensions & Internal Circuit Diagram.



RL-T5610



RL-T5620



Selection Guide,

Part NO.	Chip			Vf (V)			Face Color	C.C Or CA
	Material	Emitted Color	Δp (nm)	Typ.	Max	At IF=mA		
RL-T5610GDBW	GaP	Yellow Green	570	2500	3750	20	Black	C.C.
RL-T5610YCBW	GaAsP/GaP	Yellow	585	1200	1800	20	Black	C.C
RL-T5620OCAW	GaAsP/GaP	Orange Red	630	1520	2290	20	Gray	C.A.
RL-T5620SBRW	GaAlAs	Super Red	660	3440	5160	20	Red	C.A.
RL-T5620RCBW	GaP/GaP	Bight Red	700	250	380	20	Black	C.A.

- 1.All dimensions are in millimeters (inches), Tolerance is $\pm 0.25(0.01'')$ unless otherwise noted.
- 2.Specifications are subject to change without notice.



EXCEED PERSEVERANCE ELECTRONIC INDUSTRY CO., LTD.

深圳市超毅光电子有限公司

0.56" Triple Digit Display.

Part Number:

RL-T5611GDBW
RL-T5621SBRW

RL-T5611YCBW
RL-T5621RCBW

RL-T5621OCAW

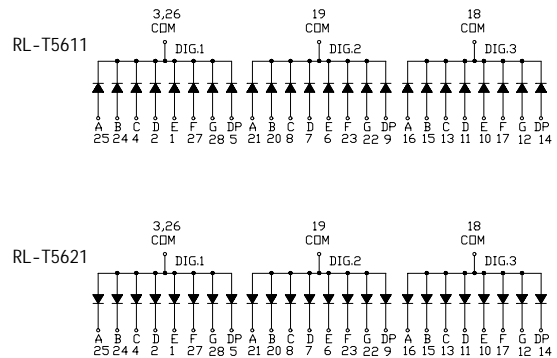
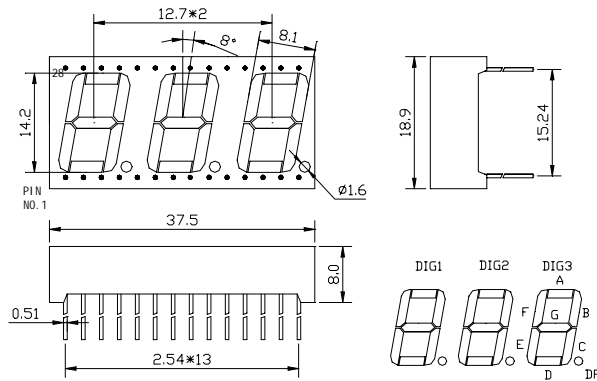
Features

- 1.LOW POWER CONSUMPTION.
- 2.RELIABLE AND RUGGED.
- 3.EXCELLENT UNIFORMITY OF LIGHT OUTPUT.
- 4.SUITABLE FOR LEVEL INDICATOR.
- 5.I.C COMPATIBLE.
- 6.LONG LIFE-SOLIDSTATE RELIABILITY.

Notes:

- 1.All dimensions are in millimeters (inches)
- 2.Tolerance is $\pm 0.25(0.01'')$ unless otherwise niter
- 3.Lead spacing is measured where the lead emerge package
- 4.Specifcations are subject to change without notice

Package Dimensions & Internal Circuit Diagram.



Selection Guide,

Part NO.	Chip			Vf (V)			Face Color	C.C Or CA
	Material	Emitted Color	Δp (nm)	Typ.	Max	At IF=mA		
RL-T5611GDBW	GaP	Yellow Green	570	2500	3700	20	Black	C.C.
RL-T5611YCBW	GaAsP/GaP	Yellow	585	1200	1800	20	Black	C.C
RL-T5621OCAW	GaAsP/GaP	Orange Red	630	1520	2290	20	Gray	C.A.
RL-T5621SBRW	GaAlAs	Super Red	660	3440	5160	20	Red	C.A.
RL-T5621RCBW	GaP/GaP	Bight Red	700	250	380	20	Black	C.A.

- 1.All dimensions are in millimeters (inches), Tolerance is $\pm 0.25(0.01'')$ unless otherwise noted.
- 2.Specifications are subject to change without notice.



EXCEED PERSEVERANCE ELECTRONIC INDUSTRY CO., LTD.

深圳市超毅光电子有限公司

0.56" Triple Digit Display.

Part Number:

RL-T5612GDBW
RL-T5622SBRW

RL-T5612YCBW
RL-T5622RCBW

RL-T5622OCAW

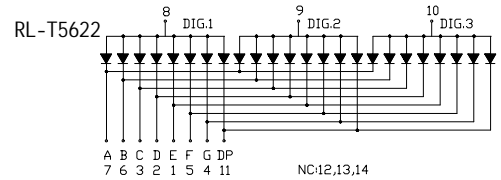
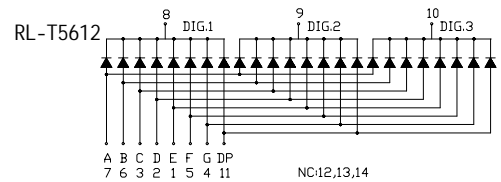
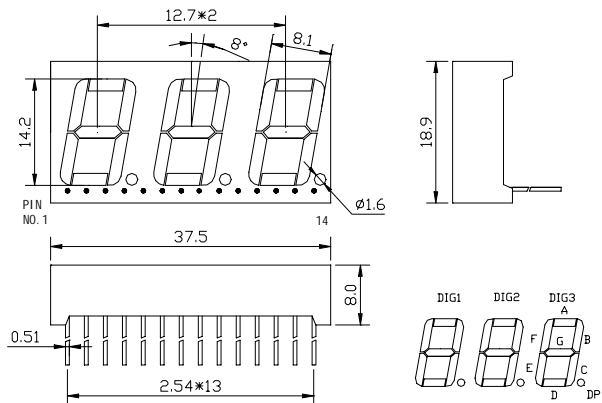
Features

1. LOW POWER CONSUMPTION.
2. RELIABLE AND RUGGED.
3. EXCELLENT UNIFORMITY OF LIGHT OUTPUT.
4. SUITABLE FOR LEVEL INDICATOR.
5. I.C COMPATIBLE.
6. LONG LIFE-SOLIDSTATE RELIABILITY.

Notes:

1. All dimensions are in millimeters (inches)
2. Tolerance is $\pm 0.25(0.01'')$ unless otherwise niter
3. Lead spacing is measured where the lead emerge package
4. Specifications are subject to change without notice

Package Dimensions & Internal Circuit Diagram.



Selection Guide

Part NO.	Chip			Vf (V)			Face Color	C.C Or CA
	Material	Emitted Color	Δp (nm)	Typ.	Max	At IF=mA		
RL-T5612GDBW	GaP	Yellow Green	570	2500	3750	20	Black	C.C.
RL-T5612YCBW	GaAsP/GaP	Yellow	585	1200	1800	20	Black	C.C
RL-T5622OCAW	GaAsP/GaP	Orange Red	630	1520	2290	20	Gray	C.A.
RL-T5622SBRW	GaAlAs	Super Red	660	3440	5160	20	Red	C.A.
RL-T5622RCBW	GaP/GaP	Bight Red	700	250	380	20	Black	C.A.

1. All dimensions are in millimeters (inches), Tolerance is $\pm 0.25(0.01'')$ unless otherwise noted.
2. Specifications are subject to change without notice.



EXCEED PERSEVERANCE ELECTRONIC INDUSTRY CO., LTD.

深圳市超毅光电子有限公司

0.56" Triple Digit Display.

Part Number:

RL-T5614GDBW
RL-T5624SBRW

RL-T5614YCBW
RL-T5624RCBW

RL-T5624OCAW

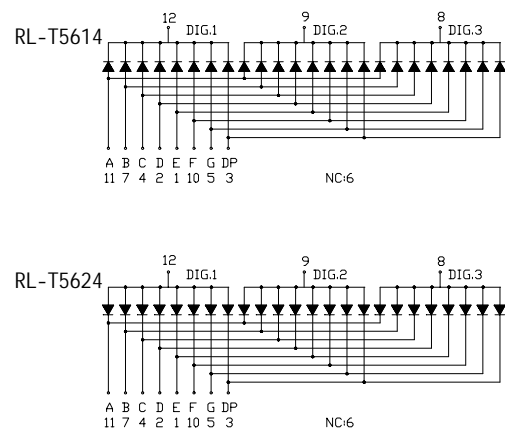
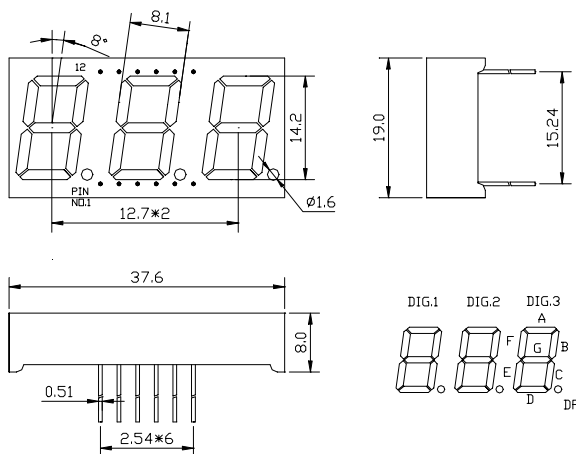
Features

1. LOW POWER CONSUMPTION.
2. RELIABLE AND RUGGED.
3. EXCELLENT UNIFORMITY OF LIGHT OUTPUT.
4. SUITABLE FOR LEVEL INDICATOR.
5. I.C COMPATIBLE.
6. LONG LIFE-SOLIDSTATE RELIABILITY.

Notes:

1. All dimensions are in millimeters (inches)
2. Tolerance is $\pm 0.25(0.01'')$ unless otherwise niter
3. Lead spacing is measured where the lead emerge package
4. Specifications are subject to change without notice

Package Dimensions & Internal Circuit Diagram.



Selection Guide

Part NO.	Chip			Vf (V)			Face Color	C.C Or CA
	Material	Emitted Color	Δp (nm)	Typ.	Max	At IF=mA		
RL-T5614GDBW	GaP	Yellow Green	570	2500	3750	20	Black	C.C.
RL-T5614YCBW	GaAsP/GaP	Yellow	585	1200	1800	20	Black	C.C
RL-T5624OCAW	GaAsP/GaP	Orange Red	630	1520	2290	20	Gray	C.A.
RL-T5624SBRW	GaAlAs	Super Red	660	3440	5160	20	Red	C.A.
RL-T5624RCBW	GaP/GaP	Bight Red	700	250	380	20	Black	C.A.

1. All dimensions are in millimeters (inches), Tolerance is $\pm 0.25(0.01'')$ unless otherwise noted.
2. Specifications are subject to change without notice.



EXCEED PERSEVERANCE ELECTRONIC INDUSTRY CO., LTD.

深圳市超毅光电子有限公司

Electrical optical characteristics at TA=25°C.

Symbol	Parameter	Device	Type.	Max.	Units	Test Conditions
λ_{peak}	Peak Wavelength	Yellow Green Yellow Orange Red Super Red Bright Red	570 585 630 660 700		nm	IF=20mA
λ_D	Dominate Wavelength	Yellow Green Yellow Orange Red Super Red Bright Red	560 580 610 640 690		nm	IF=20mA
$\Delta \lambda_{1/2}$	Spectral Line Halfwit	Yellow Green Yellow Orange Red Super Red Bright Red	30 35 45 20 45		nm	IF=20mA
C	Capacitance	Yellow Green Yellow Orange Red Super Red Bright Red	15 20 15 45 40		pF	VF=0V; f=1MHZ
VF	Forward Voltage	Yellow Green Yellow Orange Red Super Red Bright Red	2.1 2.0 2.0 1.7 2.1	2.8 2.8 2.8 2.8 2.8	V	IF=20mA
IR	Reverse Current	All		10	uA	VR=5V

Absolute Maximum Ratings at TA=25°C.

Parameter	Yellow Green	Yellow	Orange Red	Super Red	Bright Red	Units
Power dissipation	100	85	100	110	45	mW
DC Forward Current	25	25	25	25	25	mA
Peak Forward Current	160	160	160	200	50	mA
Reverse Voltage	5	5	5	5	5	V

NOTES:

- 1.Operating temperature: 40°C. TO 80°C.
- 2.Lead soldering: 260°C for 5 seconds.