

Service Manual

AUTOMOTIVE ELECTRONICS



AUDI

CQ-EA1070L

CQ-EA1071L

CQ-EA1072L

CQ-EA1073L

CQ-EA1074L

AM/FM MPX ELECTRONIC TUNING
RADIO with Stereo Cassette Tape
Player and CD Changer

DESTINATION : Europe

PRODUCED AFTER (CQ-EA1070L) : Oct., 2000

PRODUCED AFTER (CQ-EA1071L) : Jan., 2001

PRODUCED AFTER (CQ-EA1072L-74L) : Apr., 2001

[Note] See the next page about PART No. and VECLE.

Specification*

General

| | |
|---------------------|--|
| Power Supply | DC 12V (11V - 16V), Test Voltage 14.4V Negative Ground |
| Current Consumption | Less than 2.5A (0.5W×4ch) |
| Power Output | 12W×2ch |
| Speaker Impedance | 4Ω |

LW Radio

| | |
|--------------------|--------------------|
| Frequency Range | 153 - 279kHz |
| Usable Sensitivity | 18dB/μV (S/N 20dB) |

MW Radio

| | |
|--------------------|--------------------|
| Frequency Range | 531 - 1,602kHz |
| Usable Sensitivity | 14dB/μV (S/N 20dB) |

FM Stereo Radio

| | |
|--------------------|--------------------|
| Frequency Range | 87.5 - 108.0MHz |
| Usable Sensitivity | 12dB/μV (S/N 30dB) |

| | |
|-----------------------|----------------|
| Tape Player | |
| Signal to Noise Ratio | 55dB (IHF-A) |
| Wow and Flutter | Less than 0.3% |


| | |
|-----------------------|------------------------|
| ICD Player | |
| Signal to Noise Ratio | More than 60dB (IHF-A) |
| Channel Separation | More than 50dB (IHF-A) |

| | |
|--------------|------------------------|
| Dimensions** | 179(W)×110(H)×163(D)mm |
| Weight** | 3.1kg |

* Specifications and the design are subject to possible modification without notice due to improvements.

** Dimensions and Weight shown are approximate.

Dolby noise reduction manufactured under license from Dolby Laboratories Licensing Corporation.

"Dolby" and the double-D symbol  are trade marks of Dolby Laboratories Licensing Corporation.

Panasonic

© 2001 Matsushita Communication Industrial Co., Ltd. All rights reserved. Unauthorized copying and distribution is a violation of law.

⚠ WARNING

This service information is designed for experienced repair technicians only and is not designed for use by the general public. It does not contain warnings or cautions to advise non-technical individuals of potential dangers in attempting to service a product. Products powered by electricity should be serviced or repaired only by experienced professional technicians. Any attempt to service or repair the product or products dealt with in this service information by anyone else could result in serious injury or death.

IMPORTANT SAFETY NOTICE

There are special components used in this equipment which are important for safety. These parts are marked by ⚠ in the Schematic Diagrams, Circuit Board Diagrams, Exploded Views and Replacement Parts List. It is essential that these critical parts should be replaced with manufacturer's specified parts to prevent shock, fire or other hazards. Do not modify the original design without permission of manufacturer.

CONTENTS

| | Page | | Page |
|--------------------------------------|------|------------------------------------|------|
| 1 PART No. AND VEHICLE | 2 | 12 EXPLODED VIEW (Unit) | 24 |
| 2 FEATUERS | 2 | 13 CD CHANGER PARTS LIST | 25 |
| 3 LASER PRODUCTS | 2 | 14 EXPLODED VIEW (CD Deck-1) | 28 |
| 4 FRONT VIEW AND FUNCTIONS | 3 | 15 EXPLODED VIEW (CD Deck-2) | 29 |
| 5 REAR VIEW AND CONNECTORS | 3 | 16 EXPLODED VIEW (CD Deck-3) | 30 |
| 6 WIRING CONNECTION | 4 | 17 TAPE PLAYER PARTS | 31 |
| 7 BLOCK DIAGRAM | 5 | 18 EXPLODED VIEW (Tape Deck) | 32 |
| 8 TERMINALS DESCRIPTION | 9 | 19 WIRING DIAGRAM | 33 |
| 9 PACKAGE AND IC BLOCK DIAGRAM | 11 | 20 SCHEMATIC DIAGRAM -1 | 41 |
| 10 CD DISC CENTERING ALIGNMENT | 14 | 21 SCHEMATIC DIAGRAM -2 | 43 |
| 11 REPLACEMENT PARTS LIST | 15 | | |

1 PART No. AND VEHICLE

[PART No.]

- (CQ-EA1070L) : 8E0 035 195
- (CQ-EA1071L) : 4D0 035 195H
- (CQ-EA1072L) : 4B0 035 195H
- (CQ-EA1073L) : 8L0 035 195H
- (CQ-EA1074L) : 8Z0 035 095H

[VEHICLE]

- (CQ-EA1070L) : AUDI A4
- (CQ-EA1071L) : AUDI A8
- (CQ-EA1072L) : AUDI A6
- (CQ-EA1073L) : AUDI A3
- (CQ-EA1074L) : AUDI A2

2 FEATUERS

- PLL (Phase Locked Loop) synthesized tuning.
- 12-FM, 12-AM presets with preset scan
- Dolby noise reduction.
- NCD-8 CD player.
- CD Changer control.

3 LASER PRODUCTS

Do not take apart this unit or attempt to make any changes yourself.

This unit is very intricate that uses a laser pickup to retrieve information from the surface of compact discs. The laser is carefully shielded so that its rays remain inside the cabinet. Therefore, never try to disassemble the player or alter any of its parts since you may be exposed to laser rays and dangerous voltages.

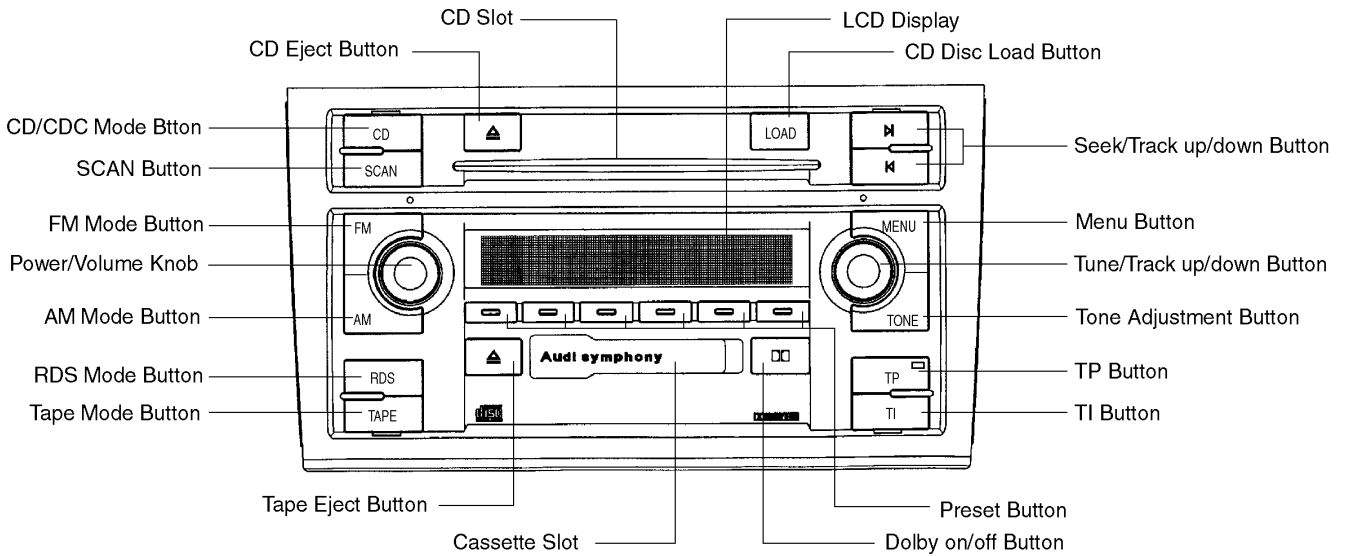
Laser products :

| | |
|-------------|---|
| Wave length | 780nm |
| Laser power | No hazardous radiation is emitted with safety protection. |

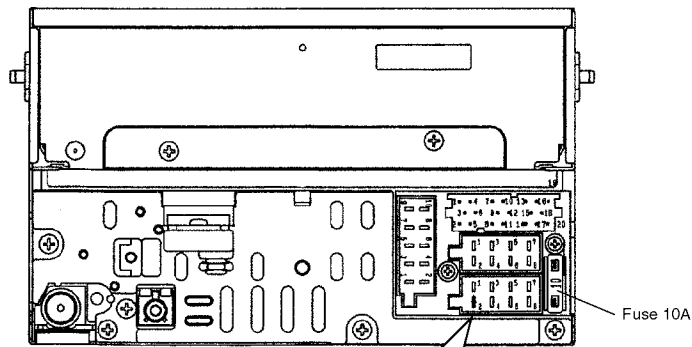
Caution

This product utilizes a laser. Use of controls or adjustments or performance of procedures other than those specified herein may result in hazardous radiation exposure.

4 FRONT VIEW AND FUNCTIONS



5 REAR VIEW AND CONNECTORS



[A]
[B]
[C]
[D]

[A] CONNECTOR

| | |
|---------------------------|------------------------|
| 1. Line Rear, Lch Output | 11. No Connection |
| 2. Line Rear, Rch Output | 12. CAN-BUS L |
| 3. Line Ground | 13. CDC Data Input |
| 4. Line Front, Lch Output | 14. CDC Data Output |
| 5. Line Front, Rch Output | 15. CDC Clock Input |
| 6. Antenna AMP (+) Output | 16. Power Supply, +B |
| 7. CAN-BUS H | 17. CD Control Output |
| 8. No Connection | 18. CD Audio Ground |
| 9. No connection | 19. CD Audio Lch Input |
| 10. Ground | 20. CD Audio Rch Input |

[B] CONNECTOR

| |
|-----------------------------|
| 1. No Connection |
| 2. No Connection |
| 3. Front SP, Rch (+) Output |
| 4. Front SP, Rch (-) Output |
| 5. Front SP, Lch (+) Output |
| 6. Front SP, Lch (-) Output |
| 7. No Connection |
| 8. No Connection |

[C] CONNECTOR

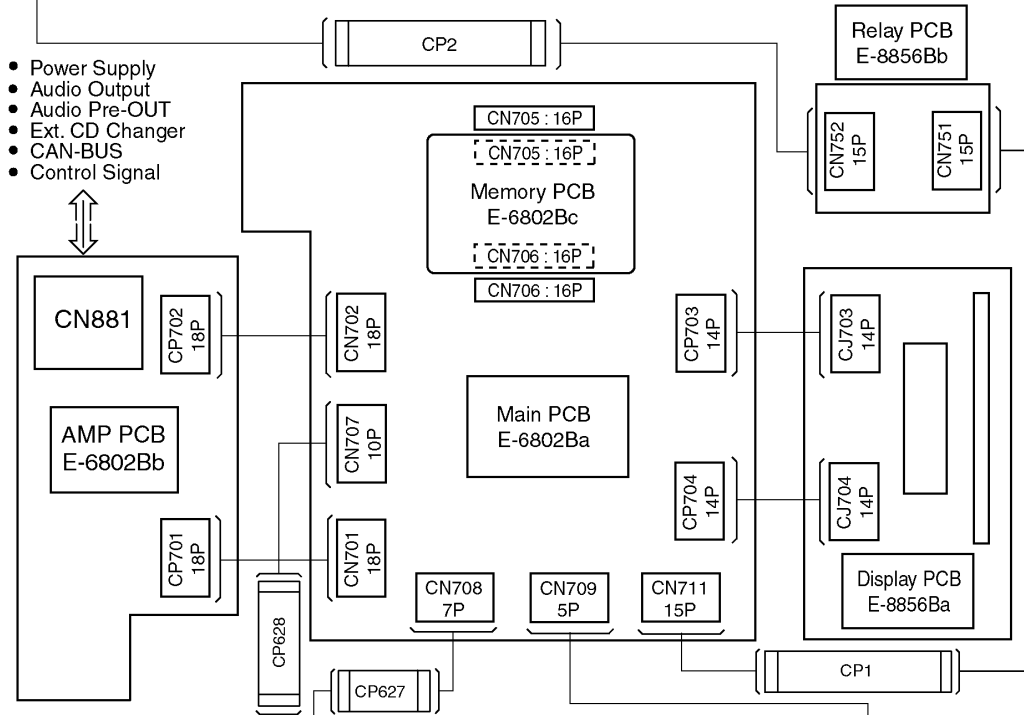
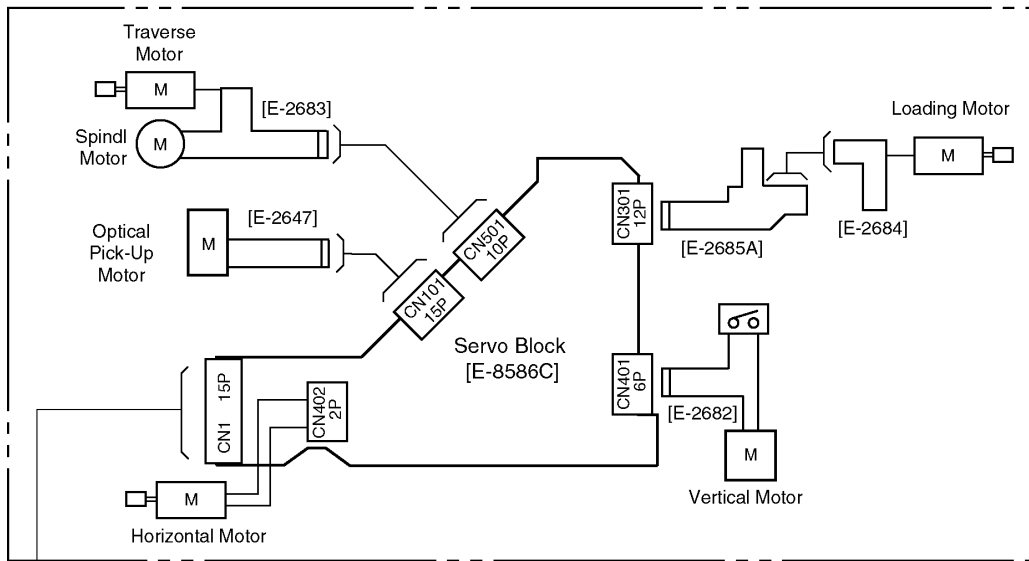
| |
|--------------------------|
| 1. BOSE Signal Input |
| 2. Alarm Ground |
| 3. K-LINE Output |
| 4. No Connection |
| 5. Active ANT (+) Output |
| 6. No Connection |
| 7. Power Supply, +B |
| 8. Ground |

[D] CONNECTOR

| |
|-----------------------------|
| 1. Telephone Mute Input |
| 2. No Connection |
| 3. Audio TEL/NAVI (+) Input |
| 4. Audio TEL/NAVI (-) Input |
| 5. Audio TEL/NAVI (+) Input |
| 6. Audio TEL/NAVI (-) Input |
| 7. NAVI Control |
| 8. No Connection |
| 9. No Connection |
| 10. No Connection |

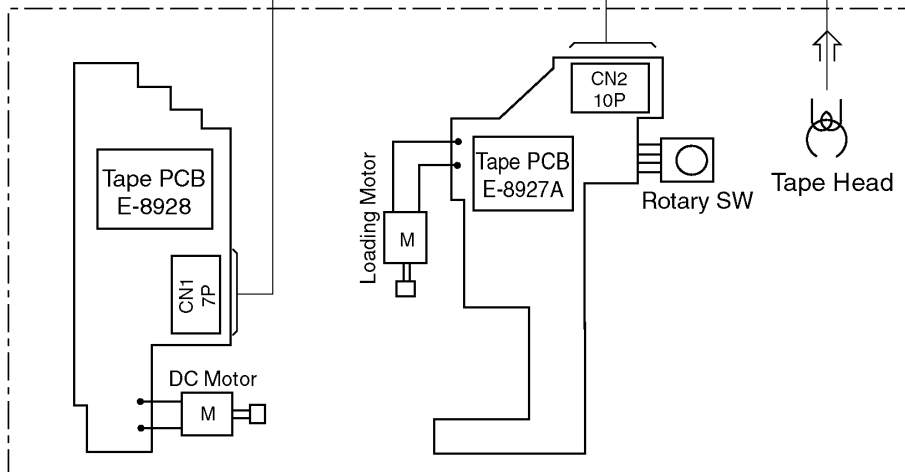
6 WIRING CONNECTION

CD CHANGER BLOCK



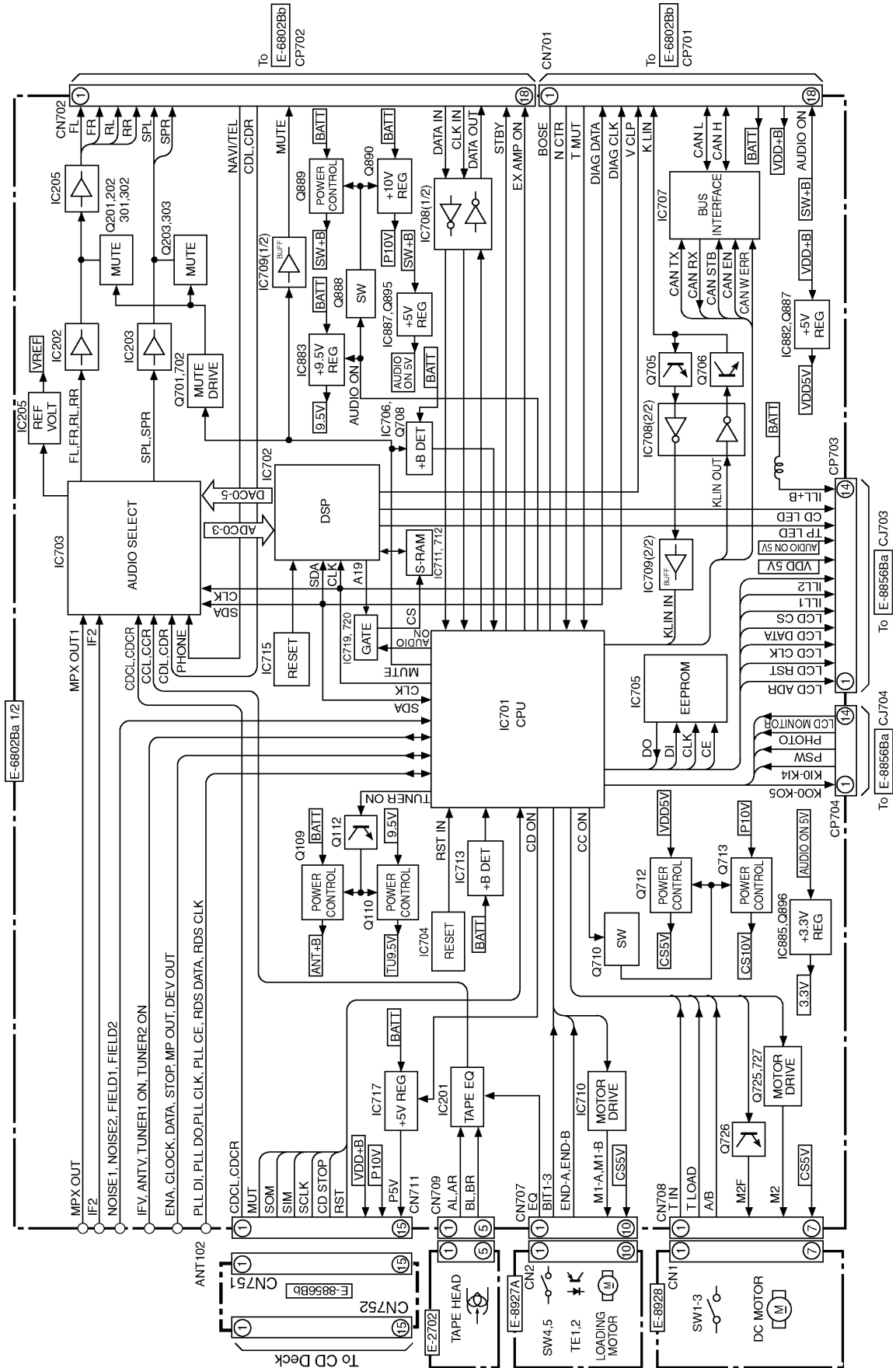
- Power Supply
- Audio Output
- Audio Pre-OUT
- Ext. CD Changer
- CAN-BUS
- Control Signal

TAPE BLOCK

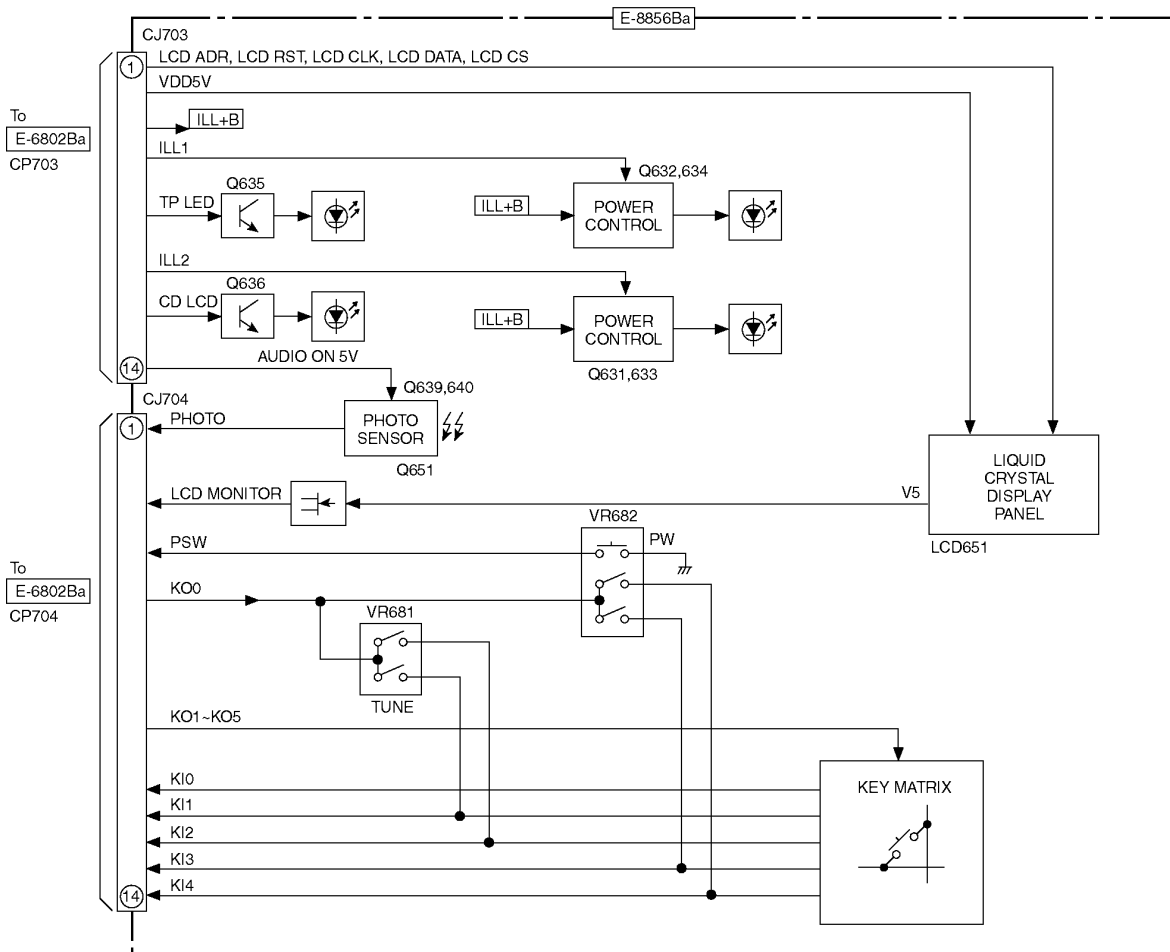
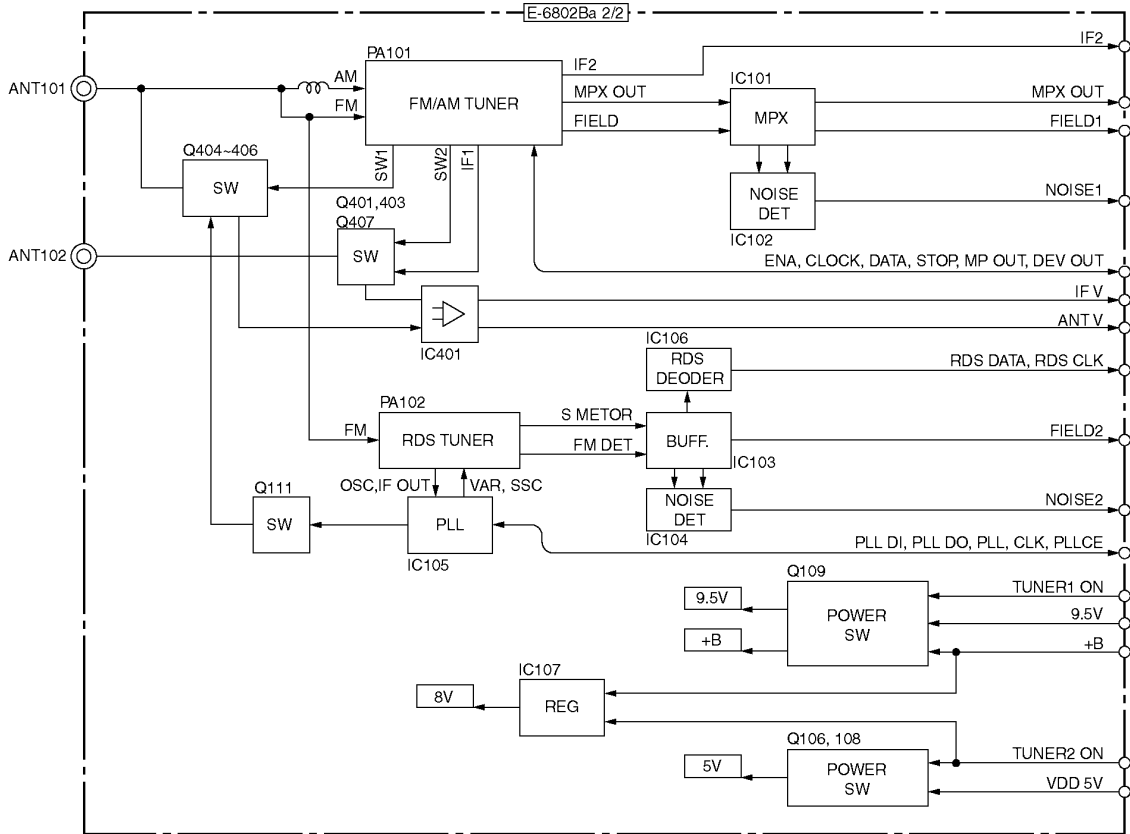


7 BLOCK DIAGRAM

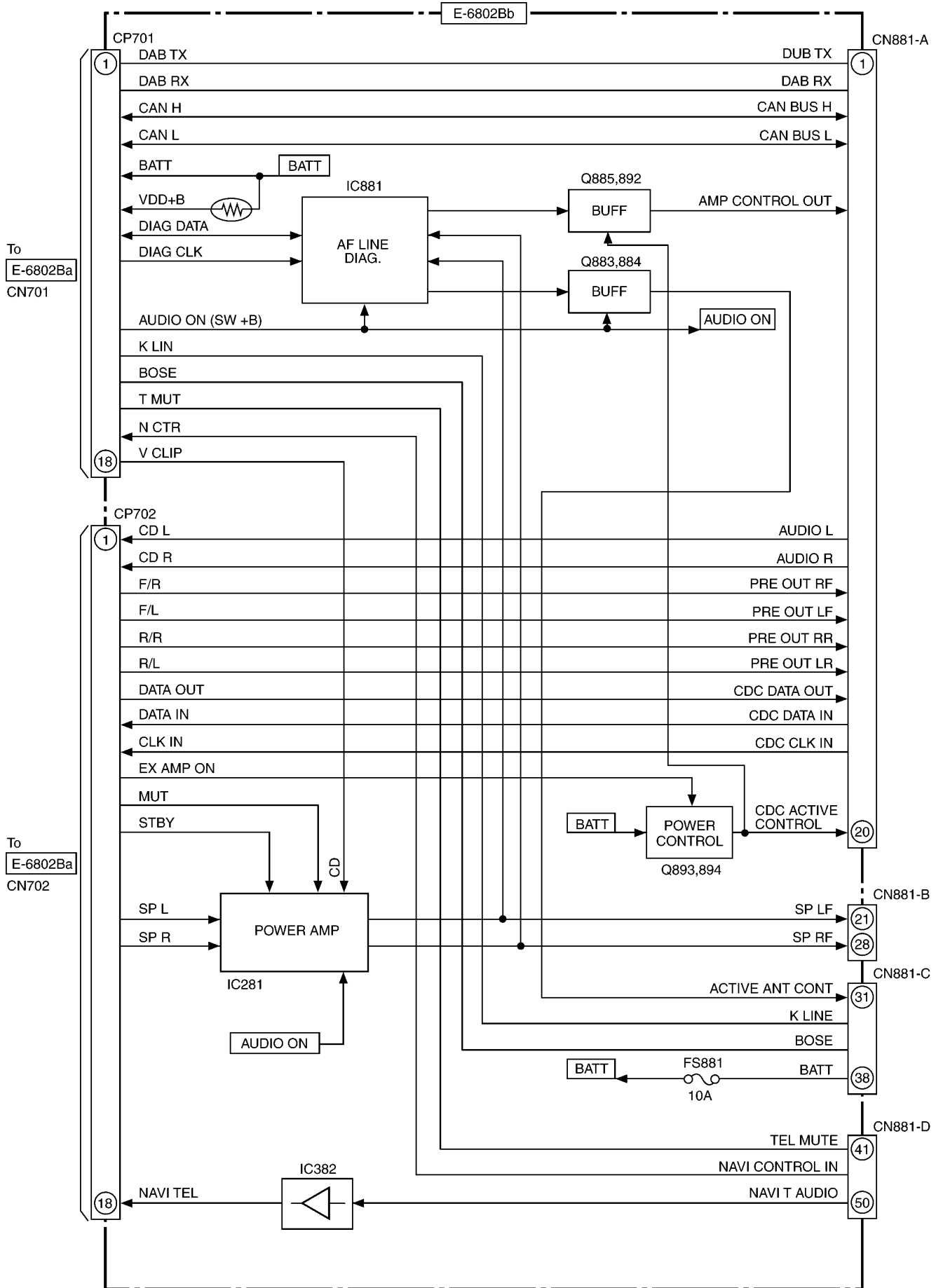
7.1. Main Block



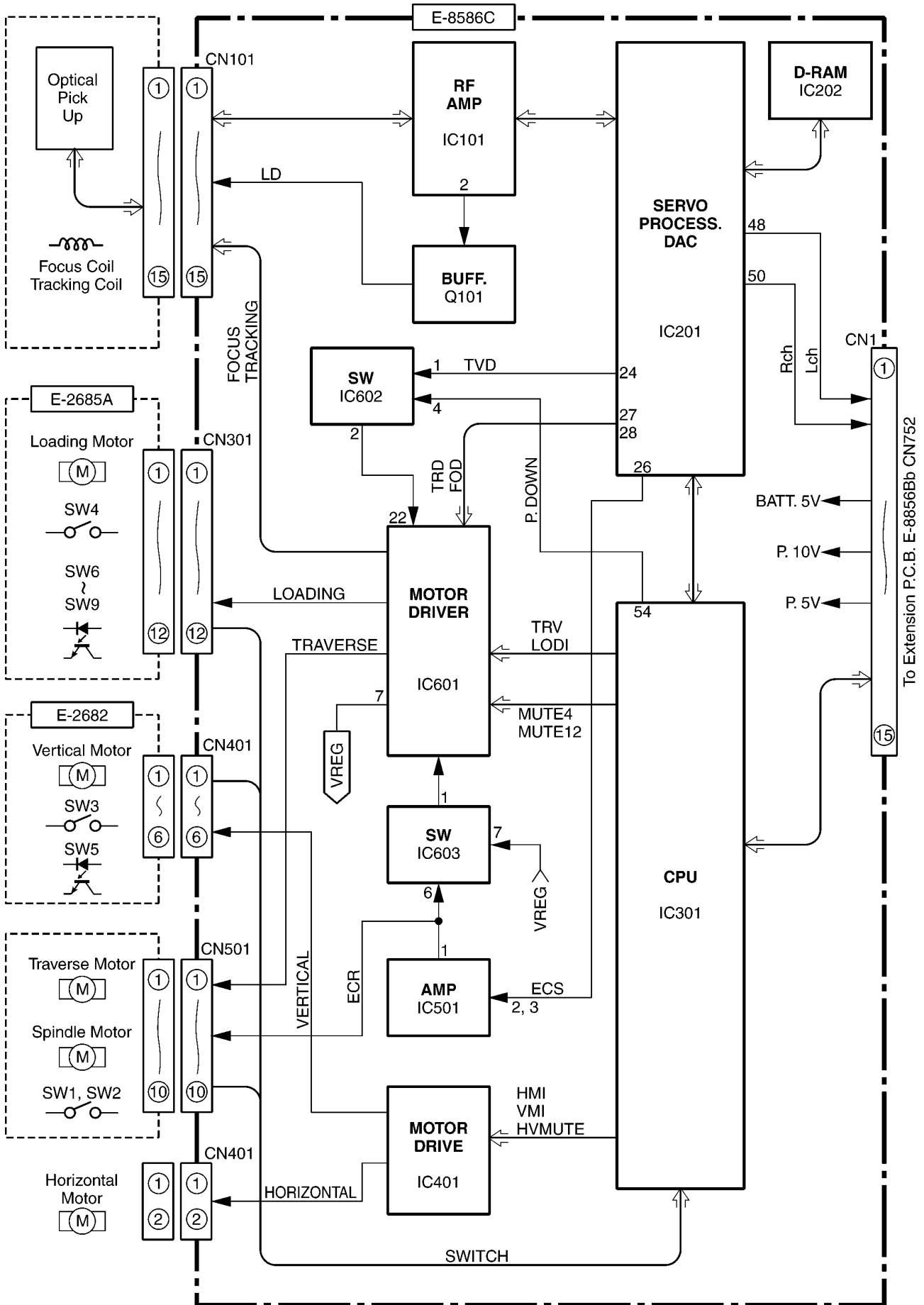
7.2. Tuner / Display Block



7.3. AMP Block



7.4. CD Servo Block



8 TERMINALS DESCRIPTION

8.1. Main Block

IC701 : C2CBKA000001

| Pin No. | Port | Descriptions | I/O (V) | FM (V) | AM (V) | CD (V) | TP (v) |
|---------|------------------|---------------------------|---------|--------|--------|--------|--------|
| 1 | /RSTOUT | Not used | - | - | - | - | - |
| 2 | NMI | (Connecting to GND) | - | 0 | 0 | 0 | 0 |
| 3 | VSS | GND | - | 0 | 0 | 0 | 0 |
| 4 | VDD | +5V power supply | - | 4.8 | 4.8 | 4.8 | 4.8 |
| 5 | ILL1 | Illumi control | 0 | 0 | 0 | 0 | 0 |
| 6 | ILL2 | Illumi. control | 0 | 2 | 2 | 1.2 | 1.2 |
| 7 | TUNER1.ON | Radio power on/off | 0 | 4.8 | 4.8 | 4.8 | 4.8 |
| 8 | TUNER2.ON | Radio power on/off | 0 | 4.8 | 4.8 | 4.8 | 4.8 |
| 9 | LCD.ADR | LCD address | 0 | 0 | 0 | 0 | 0 |
| 10 | LCDRST | LCD reset | 0 | 4.8 | 4.8 | 4.8 | 4.8 |
| 11 | LCD.CS | LCD selection | 0 | 0 | 0 | 0 | 0 |
| 12 | LCD/E2.CLK | LCD/SEC. data shift clock | 0 | 0 | 0 | 0 | 0 |
| 13 | LCD/E2.DT. IN | LCD/SEC. serial data | 0 | 0 | 0 | 0 | 0 |
| 14 | E2.DT.OUT | Security data | I | 0 | 0 | 0 | 0 |
| 15 | E2.CS | Security IC selection | 0 | 0 | 0 | 0 | 0 |
| 16 | AUDIO.ON | Audio power on/off | 0 | 4.8 | 4.8 | 4.8 | 4.8 |
| 17 | VSS | GND | - | 0 | 0 | 0 | 0 |
| 18 | VDD | +5V power supply | - | 4.8 | 4.8 | 4.8 | 4.8 |
| 19 | I2C.DATA | DSP/AF.SW data | 0 | 4.8 | 4.8 | 4.8 | 4.8 |
| 20 | I2C.CLK | Data shift clock | 0 | 4.8 | 4.8 | 4.8 | 4.8 |
| 21 | F/E.DATA | Tuner control data | 0 | 0 | 0 | 0 | 0 |
| 22 | F/E.CLK | Data shift clock | 0 | 0 | 0 | 0 | 0 |
| 23 | F/E.STP | Tuner control | 0 | 2.9 | 3.7 | 3.8 | 3.8 |
| 24 | F/E.ENA | Tuner pack enable | 0 | 0 | 0 | 0 | 0 |
| 25 | VSS | GND | - | 0 | 0 | 0 | 0 |
| 26 | VDD | +5V power supply | - | 4.8 | 4.8 | 4.8 | 4.8 |
| 27 | FIELD.1 | Field strength detection | I | 0.9 | 0.6 | 0.6 | 0.6 |
| 28 | N.C.1.1 | Noise level detection | I | 0 | 0 | 0 | 0 |
| 29 | PHOTO | Photo sensor data | I | 1.2 | 0.8 | 1.9 | 1.6 |
| 30 | MP.1 | FM multipath interference | I | 2.9 | 0 | 0 | 0 |
| 31 | DEV.1 | FM deviation | I | 0 | 2.3 | 2.3 | 2.3 |
| 32 | ANT.V | ANT1 current intensity | I | 0.5 | 0.5 | 0.5 | 0.5 |
| 33 | IF.V | ANT2 current intensity | I | 0 | 0 | 0 | 0 |
| 34 | FIELD.2 | Field strength detection | I | 1.2 | 1.2 | 1.2 | 1.2 |
| 35 | VA.REF | +5V power supply | - | 4.8 | 4.8 | 4.8 | 4.8 |
| 36 | VA.GND | GND | - | 0 | 0 | 0 | 0 |
| 37 | NC.1.2 | Noise level detection | I | 0 | 0 | 0 | 0 |
| 38 | MP.2 | FM multipath interference | I | 0 | 0 | 0 | 0 |
| 39 | 6.1V DET | +B level detection | I | 4.8 | 4.7 | 4.6 | 4.8 |
| 40 | +B MONI. | +B level detection | I | 2.9 | 2.8 | 2.7 | 2.8 |
| 41 | VSS | GND | - | 0 | 0 | 0 | 0 |
| 42 | VDD | +5V power supply | - | 4.8 | 4.8 | 4.8 | 4.8 |
| 43 | BAT.DET | +B level detection | I | 4.8 | 4.6 | 4.7 | 4.8 |
| 44 | P.SW | Power switch | I | 4.8 | 4.3 | 4.5 | 4.7 |
| 45 | T.MUTE | Tape mute | 0 | 4.8 | 4.6 | 4.6 | 4.8 |
| 46 | T.LOAD | Tape loading | I | 0 | 0 | 0 | 0 |
| 47 | CD.A.MUT/C D.SW1 | CD start/stop | 0 | 0 | 0 | 0 | 0 |
| 48 | STBY | Power Amp stand-by | 0 | 4.8 | 4.8 | 4.8 | 4.8 |
| 49 | LCD.MONI | LCD | I | 4.8 | 4.3 | 4.4 | 4.7 |
| 50 | RDS.CLK | RDS data shift clock | I | 1.5 | 1.5 | 1.5 | 1.5 |
| 51 | VSS | GND | - | 0 | 0 | 0 | 0 |
| 52 | VDD | +5V power supply | - | 4.8 | 4.8 | 4.8 | 4.8 |
| 53 | DAB.RX0 | Not used | - | - | - | - | - |
| 54 | DAB.TX0 | Not used | - | - | - | - | - |
| 55 | RDS2.CLK | RDS data shift clock | I | 2.5 | 2.5 | 2.5 | 2.5 |
| 56 | RDS2.DATA | RDS data | I | 2.4 | 2.4 | 2.4 | 2.4 |
| 57 | RDS.DATA | RDS data | I | 1.1 | 1.1 | 1.1 | 1.1 |
| 58 | PLL.DI | PLL data | 0 | 0 | 0 | 0 | 0 |
| 59 | PLL.DO | PLL data | I | 2.5 | 0 | 0 | 0 |
| 60 | PLLCLK | PLL clock | 0 | 0 | 0 | 0 | 0 |
| 61 | CDC.REMO | CD CH remote data | 0 | 4.8 | 0 | 0.2 | 0 |

| Pin No. | Port | Descriptions | I/O (V) | FM (V) | AM (V) | CD (V) | TP (v) |
|---------|------------|-------------------------|---------|--------|--------|--------|--------|
| 62 | CDC.DATA | CD CH data | I | 4.8 | 4.8 | 4.8 | 4.8 |
| 63 | KLIN.OUT | K-LINE data | O | 4.8 | 0 | 4.8 | 4.8 |
| 64 | KLIN.IN | K-LINE data | I | 4.8 | 4.8 | 4.8 | 4.8 |
| 65 | PLL.CE | PLL chip enable | O | 0 | 0 | 0 | 0 |
| 66 | CDC.CLK | CD CH clock | I | 4.8 | 4.8 | 4.8 | 4.8 |
| 67 | BOSE | BOSE Amp connection | I | 4.8 | 4.6 | 4.8 | 4.6 |
| 68 | VDD | +5V power supply | - | 4.8 | 4.8 | 4.8 | 4.8 |
| 69 | VSS | GND | - | 0 | 0 | 0 | 0 |
| 70 | N.CNTR | NAVI. control | I | 4.8 | 4.6 | 4.7 | 4.6 |
| 71 | EXT.AMP.ON | Ext Amp power control | O | 0 | 4.8 | 4.8 | 4.8 |
| 72 | CAN.N.ERR | CAN-BUS error | I | 4.8 | 0 | 4.8 | 4.8 |
| 73 | CAN.EN | CAN-BUS driver enable | O | 0 | 4.8 | 0 | 0 |
| 74 | CAN.STB | BUS data strobe | O | 0 | 1.9 | 0 | 0 |
| 75 | CAN.RX | CAN-BUS data | I | 4.8 | 2.2 | 2.2 | 4.8 |
| 76 | CAN.TX | CAN-BUS data | O | 4.8 | 0 | 2.4 | 4.8 |
| 77 | CD.RST | CD reset | O | 4.8 | 4.8 | 4.8 | 4.5 |
| 78 | VDD | +5V power supply | - | 4.8 | 4.8 | 4.8 | 4.8 |
| 79 | VSS | GND | - | 0 | 0 | 0 | 0 |
| 80 | /RD | Not used | - | - | - | - | - |
| 81 | /WR/WRL | Not used | - | - | - | - | - |
| 82 | /READY | Not used | - | - | - | - | - |
| 83 | ALE | Not used | - | - | - | - | - |
| 84 | /EA | (+5V pull-up) | - | 4.8 | 4.8 | 4.8 | 4.8 |
| 85 | MUTE | Mute | O | 4.8 | 4.8 | 4.8 | 4.8 |
| 86 | KO.0 | Key scan | O | 0 | 0.8 | 0.8 | 0.8 |
| 87 | KO.1 | Key scan | O | 0 | 0.8 | 0.7 | 0.8 |
| 88 | KO.2 | Key scan | O | 0 | 0.8 | 0.7 | 0.8 |
| 89 | KO.3 | Key scan | O | 0 | 0.8 | 0.7 | 0.8 |
| 90 | KO.4 | Key scan | O | 0 | 0.8 | 0.7 | 0.8 |
| 91 | BIT.1 | Tape mode SW | I | 0 | 0 | 0 | 4.8 |
| 92 | BIT.2 | Tape mode SW | I | 0 | 0 | 0 | 4.8 |
| 93 | VDD | +5V power supply | - | 4.8 | 4.8 | 4.8 | 4.8 |
| 94 | VSS | GND | - | 0 | 0 | 0 | 0 |
| 95 | BIT.3 | Tape mode SW | I | 0 | 0 | 0 | 0 |
| 96 | KI.0 | Key data | I | 0 | 0 | 0 | 0 |
| 97 | KO.5 | Key scan | O | 0.7 | 0.8 | 0.7 | 0.8 |
| 98 | EN.B | Tape end detection | I | 0 | 0 | 0 | 0 |
| 99 | A/B.IN | Tape A/B side detection | I | 0 | 0 | 0 | 0 |
| 100 | AF.MUTE | AF mute | O | 0 | 0 | 0 | 0 |
| 101 | NC | No connection | - | - | - | - | - |
| 102 | NC | No connection | - | - | - | - | - |
| 103 | M2 | Tape main motor control | O | 0 | 0 | 0 | 4.8 |
| 104 | M2F | Tape main motor control | O | 0 | 0 | 0 | 4.8 |
| 105 | T.IN | Tape detection | I | 0 | 0 | 0 | 4.8 |
| 106 | F.IN | Tape control | O | 0 | 0 | 0 | 0 |
| 107 | EN.A | Tape end detection | I | 0 | 0 | 0 | 0 |
| 108 | KI.1 | Key data | I | 0 | 0.6 | 0 | 0.7 |
| 109 | KI.2 | Key data | I | 1 | 0.7 | 0 | 0.7 |
| 110 | KI.3 | Key data | I | 1 | 0.7 | 0.7 | 0.7 |
| 111 | VDD | +5V power supply | - | 4.8 | 4.8 | 4.8 | 4.8 |
| 112 | VSS | GND | - | 0 | 0 | 0 | 0 |
| 113 | KI.4 | Key data | I | 1 | 0.7 | 0.7 | 0.7 |
| 114 | R.IN | Tape control | O | 0 | 0 | 0 | 0 |
| 115 | CD.SIMO | CD serial data | O | 0 | 0 | 0 | 0 |
| 116 | CD.STP/STA | CD start/stop | O | 0 | 0 | 4.8 | 0 |
| 117 | CD.SOMI | CD serial data | I | 0 | 4.8 | 4.3 | 0 |
| 118 | CD.SCKM | CD data shift clock | O | 4.8 | 4.8 | 4.8 | 4.8 |
| 119 | CD.ON | CD power control | O | 4.8 | 4.8 | 4.8 | 4.8 |
| 120 | CC.ON | Tape power control | O | 4.8 | 0 | 0 | 4.8 |
| 121 | VDD | +5V power supply | - | 4.8 | 4.8 | 4.8 | 4.8 |
| 122 | VSS | GND | - | 0 | 0 | 0 | 0 |
| 123 | XTAL2 | Crystal oscillator | - | 2.2 | 2.2 | 2.2 | 2.2 |
| 124 | XTAL1 | Crystal oscillator | - | 2.1 | 2.1 | 2.1 | 2.1 |
| 125 | VSS | GND | - | 0 | 0 | 0 | 0 |
| 126 | XTAL3 | Crystal oscillator | - | 1.2 | 1.2 | 1.2 | 1.2 |
| 127 | XTAL4 | Crystal oscillator | - | 2 | 2 | 2 | 2 |
| 128 | /RSTIN | Reset input | I | 4.7 | 4.7 | 4.7 | 4.7 |

Note : Voltage measurements are with respect to ground, with a voltmeter (internal resistance : 10M ohms).

8.2. CD Servo Block

IC201 : MN662783RPW

| Pin No. | Port | Descriptions | I/O | Vol. (V) |
|---------|--------|-----------------------------|-----|----------|
| 1 | VDD | +5V power supply | - | 5.0 |
| 2 | D0 | D-RAM data | I/O | 2.3 |
| 3 | D1 | D-RAM data | I/O | 1.8 |
| 4 | /WE | D-RAM data write | O | 4.9 |
| 5 | /RAS | D-RAM row address strobe | O | 3.4 |
| 6 | D2 | D-RAM data | I/O | 0.8 |
| 7 | D3 | D-RAM data | I/O | 0 |
| 8 | /CAS0 | D-RAM column address strobe | O | 3.9 |
| 9 | /CAS1 | D-RAM column address strobe | O | 0 |
| 10 | A8 | D-RAM address | O | 0.6 |
| 11 | A7 | D-RAM address | O | 1.1 |
| 12 | A6 | D-RAM address | O | 0.7 |
| 13 | A5 | D-RAM address | O | 0 |
| 14 | A4 | D-RAM address | O | 1.1 |
| 15 | A9 | D-RAM address | O | 0.4 |
| 16-18 | A0 | D-RAM address | O | 1.0 |
| 19 | A3 | D-RAM address | O | 0 |
| 20 | VSS2 | Ground | - | 0 |
| 21 | VDD2 | +5V power supply | - | 5.0 |
| 22, 23 | - | Not used | - | - |
| 24 | TVD | Traverse motor control | O | 2.5 |
| 25 | PC | Not used | - | - |
| 26 | ECS | Spindle motor control | O | 2.4 |
| 27 | TRD | Tracking coil drive | O | 2.5 |
| 28 | FOD | Focus coil drive | O | 2.4 |
| 29 | FBAL | Focus balance | O | 1.9 |
| 30 | TBAL | Tracking balance | O | 3.0 |
| 31 | VREF | Refence voltage | I | 2.5 |
| 32 | FE | Focus error | I | 2.5 |
| 33 | TE | Tracking error | I | 2.5 |
| 34 | RFENV | RF envelope | I | 2.5 |
| 35 | OFT | Off track signal | I | 0 |
| 36 | /RFDET | RF detecting signal | I | 0 |
| 37 | BDO | Drop-out signal | I | 0 |
| 38 | LDON | Laser on signal | O | 4.5 |
| 39 | ARF | RF signal | I | 2.5 |
| 40 | IREF | Reference current input | I | 1.2 |
| 41 | DRF | Bias for DSL | I | 2.4 |
| 42 | DSLFL | Loop filter for DSL | I/O | 2.5 |
| 43 | DSLFL2 | Loop filter for DSL | I/O | 2.2 |
| 44 | PLLF | Loop filter for PLL | I/O | 1.4 |
| 45 | VCOF | Not used | - | - |
| 46 | AVDD2 | +5V power supply | - | 5.0 |
| 47 | AVSS2 | Ground | - | 0 |
| 48 | OUTL | L channel output | O | 2.3 |
| 49 | AVSS1 | Ground | - | 0 |
| 50 | OUTR | R channel output | O | 2.3 |
| 51 | AVDD1 | +5V power supply | - | 4.7 |
| 52-54 | - | (Connecting to ground) | - | 0 |
| 55 | FLAG | Flag output | O | 0 |
| 56 | FCLK | Frame clock | O | 0 |
| 57-59 | - | Not used | - | - |
| 60 | TX | Not used | - | - |
| 61 | MCLK | Clock for I/F command | I | 1.0 |
| 62 | MDATA | Date for I/F command | I | 3.1 |
| 63 | MLD | I/F command load | I | 5.0 |
| 64 | BLKCK | Subcode block clock | O | 0 |
| 65 | SQCK | Ext. clock for sub code-Q | I | 5.0 |
| 66 | SUBQ | Code for sub. code-Q | O | 3.8 |
| 67 | DMUTE | Mute input | I | 0 |
| 68 | STAT | Status signal | O | 5.0 |
| 69 | /RST | Reset input | I | 5.0 |
| 70 | CSEL | (Connecting to ground) | - | 0 |
| 71 | PMCK | Clock output | O | 2.5 |
| 72 | SMCK | Clock output | O | 2.5 |
| 73 | SUBC | Serial data of sub code | O | 0 |
| 74 | SBCK | Shift clock for SUBC | I | 0.6 |
| 75 | /CLDCK | Not used | - | - |
| 76 | /TEST | (Connecting to VDD) | - | 5.0 |

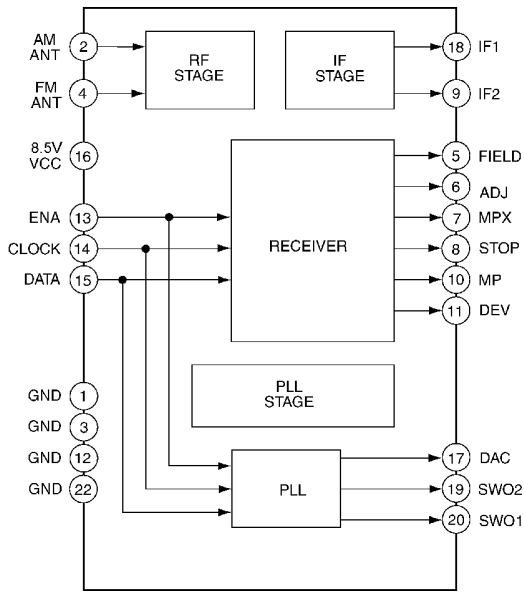
| Pin No. | Port | Descriptions | I/O | Vol. (V) |
|---------|------|--------------------|-----|----------|
| 77 | X1 | Crystal oscillator | - | 0.4 |
| 78 | X2 | Crystal oscillator | - | 3.2 |
| 79 | VDD1 | +5V power supply | - | 5.0 |
| 80 | VSS1 | Ground | - | 0 |

IC301 : MN1873260AB4

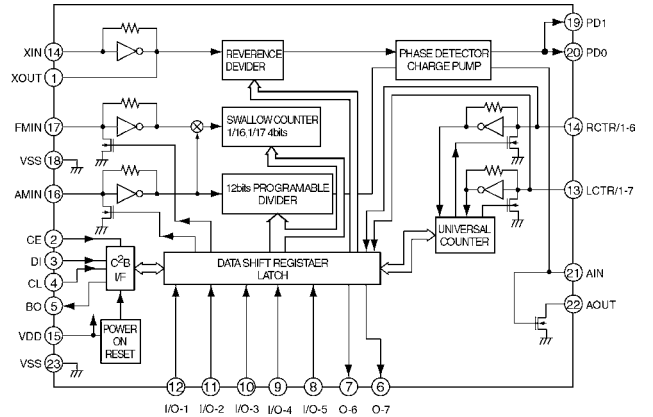
| Pin No. | Port | Descriptions | I/O | Vol. (V) |
|---------|--------|----------------------------|-----|----------|
| 1 | VDD | +5V power supply | - | 5.0 |
| 2 | OSC2 | Crystal oscillator | - | 2.2 |
| 3 | OSC1 | Crystal oscillator | - | 2.1 |
| 4 | VSS | Ground | - | 0 |
| 5 | XI | (Connecting to ground) | - | 0 |
| 6 | XO | Not used | - | - |
| 7 | CM | (Connecting to ground) | - | 0 |
| 8 | VREFH | Reference voltage | I | 5.0 |
| 9 | SW13 | Shuter SW | I | 4.9 |
| 10 | SW12 | Horizontal origin | I | 4.9 |
| 11 | SW11 | Clump SW | I | 0 |
| 12 | SW10 | Play SW | I | 0 |
| 13 | SW4 | Shuter SW | I | 4.9 |
| 14 | SW3 | Tray origin SW | I | 0 |
| 15 | SW2 | Inner SW | I | 4.8 |
| 16 | SW1 | Outer SW | I | 4.9 |
| 17 | VREFL | (Connecting to Ground) | - | 0 |
| 18 | /RESET | Reset input | I | 4.9 |
| 19 | - | (Ground pull-down) | - | 0 |
| 20 | SCKM | Clock for serial data | I | 5.0 |
| 21 | SIM | CD changer serial data | I | 1.3 |
| 22 | SOM | CD changer serial data | O | 4.3 |
| 23 | SQCK | Ext. clock for sub. code-Q | O | 5.0 |
| 24 | SUBQ | Code for sub. code-Q | I | 1.6 |
| 25 | - | Not used | - | - |
| 26 | - | (Ground pull-down) | - | 0 |
| 27 | CD.ON | CD changer start/stop | I | 5.0 |
| 28 | - | Not used | - | - |
| 29 | BLKCK | Sub. code block clock | I | 0 |
| 30 | P.ON | In operation CPU | O | 5.0 |
| 31 | MUTE | Mute output | O | 5.0 |
| 32 | - | (Ground pull-down) | - | 0 |
| 33 | SENS | Servo status | O | 0 |
| 34 | CLVS | Servo status | O | 5.0 |
| 35 | FLOCK | Focus servo lock | O | 0.2 |
| 36 | TLOCK | Tracking servo lock | O | 0 |
| 37 | VMI | Horizontal motor control | O | 2.5 |
| 38 | HMI | Vertical motor control | O | 0 |
| 39 | HVMUTE | H/V motor mute | O | 0 |
| 40-42 | - | (Ground pull-down) | - | 0 |
| 43 | SW9 | Disc-in (B) SW | I | 0 |
| 44 | SW8 | Disc-in (L) SW | I | 0 |
| 45 | SW7 | Disc-in (F) SW | I | 0 |
| 46 | SW6 | Disc push SW | I | 0 |
| 47 | SW5 | Tray hight SW | I | 4.5 |
| 48 | BDO | Drop-out signal | I | 0 |
| 49 | DQSY | Not used | - | - |
| 50 | /RST | Reset output | O | 5.0 |
| 51 | STAT | Status signal | I | 2.1 |
| 52 | DMUTE | Mute output | O | 0 |
| 53 | XE | Not used | - | - |
| 54 | P.DOWN | Power down signal | O | 0 |
| 55 | - | No connection | - | - |
| 56 | MLD | I/F command load | O | 5.0 |
| 57 | MDATA | Data for I/F command | O | 3.1 |
| 58 | MCLK | Clock for I/F command | O | 4.1 |
| 59 | SPMT | Spindle mute | O | 5.0 |
| 60 | MUTE12 | Focus/Tracking mute | O | 0 |
| 61 | MUTE4 | Loading motor mute | O | 4.8 |
| 62 | LDOI | Loading motor control | I/O | 2.5 |
| 63 | TRV | Forced traverse control | I/O | 2.4 |
| 64 | SYNC | Not used | - | - |

9 PACKAGE AND IC BLOCK DIAGRAM

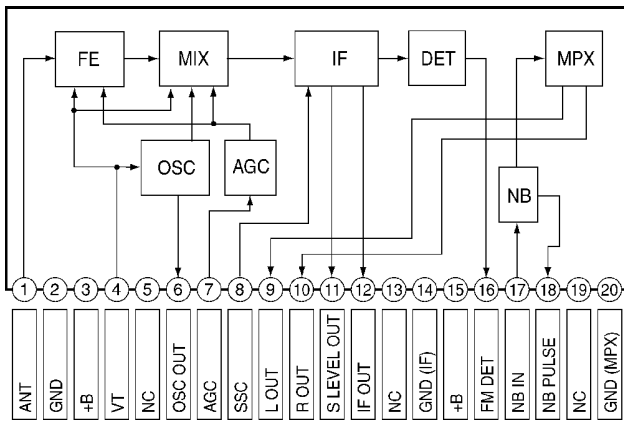
9.1. Main Block



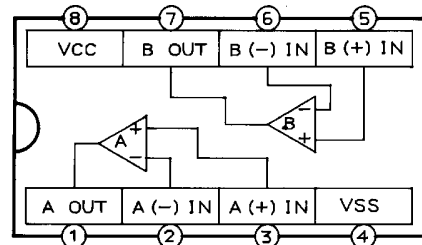
PA101 : J3CCAB000001



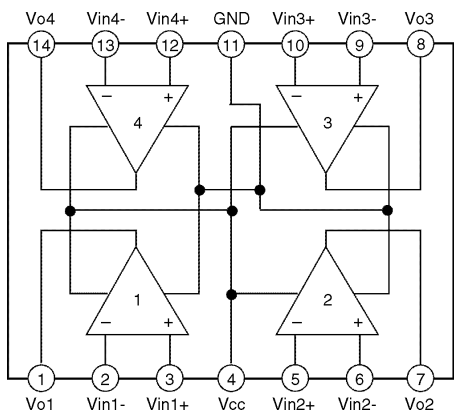
IC105 : YEAMLC72146T



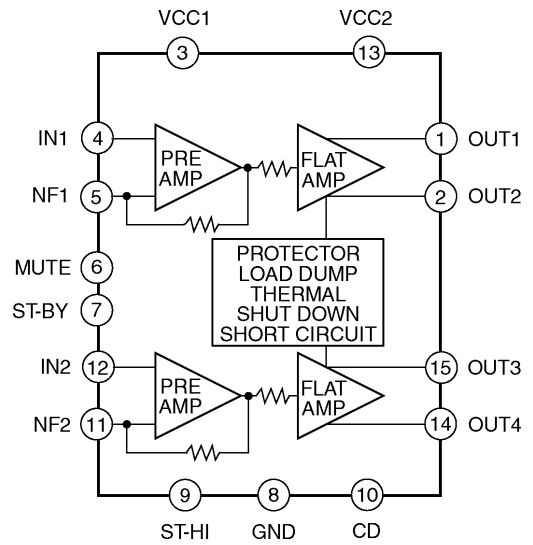
PA102 : YEAU03SMX01



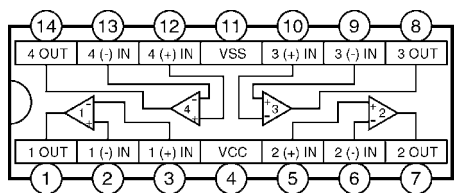
IC205, 382 : YEAMPC4570T1



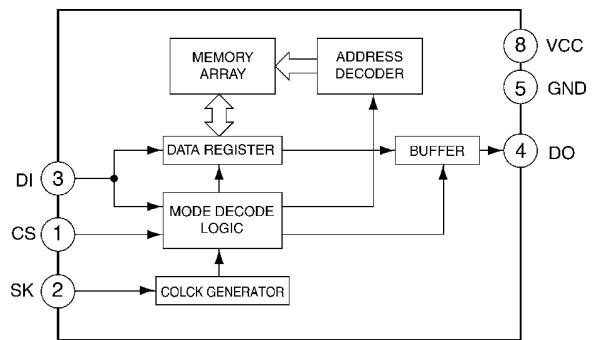
IC101, 103 : AN6564NST1



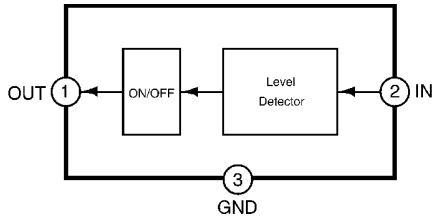
ICIC281 : C1BA00000311



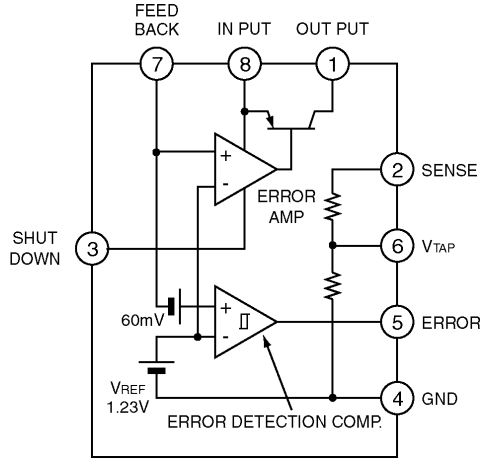
IC102, 104, 204 : C0ABCB000005



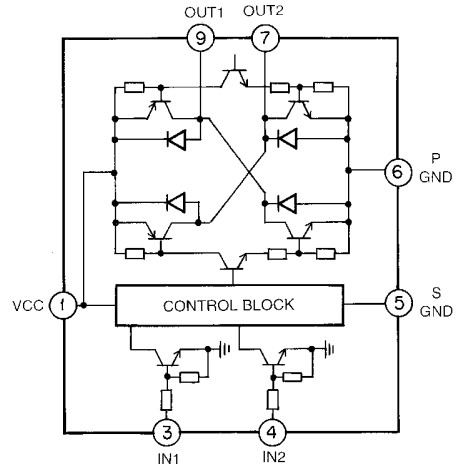
IC705 : YEAMS2922ADF



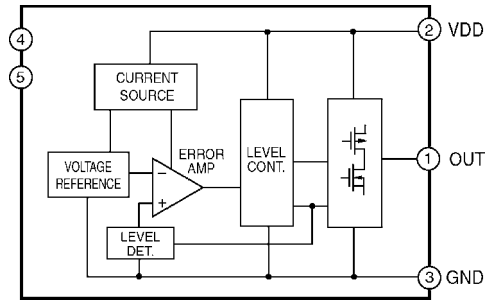
IC704 : MN1382QTX
IC715 : MN1382JP



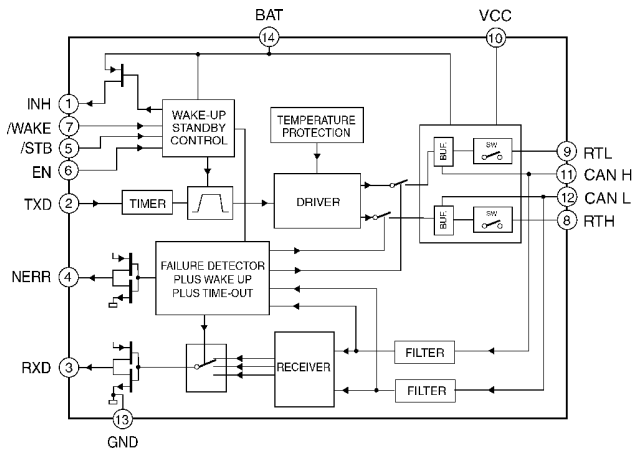
IC706 : YEAM2951MT



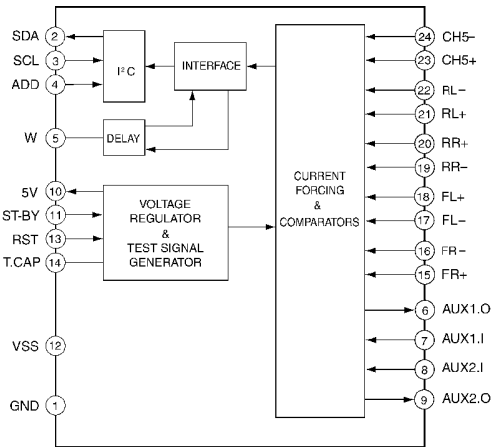
IC710 : YEAMLB1930MT



IC713 : C0EBM000005

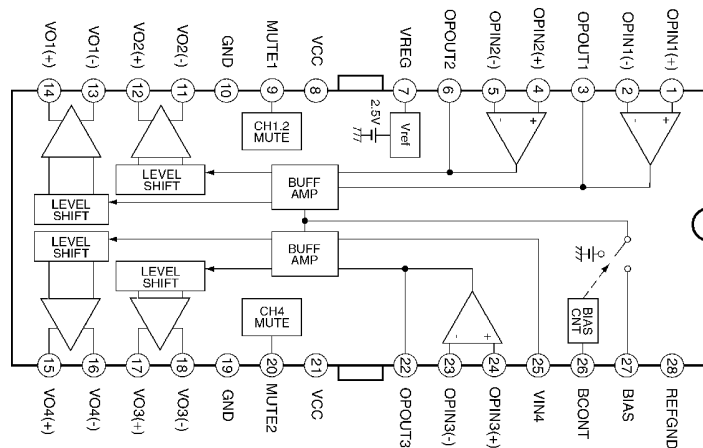


IC707 : C1EB00000039

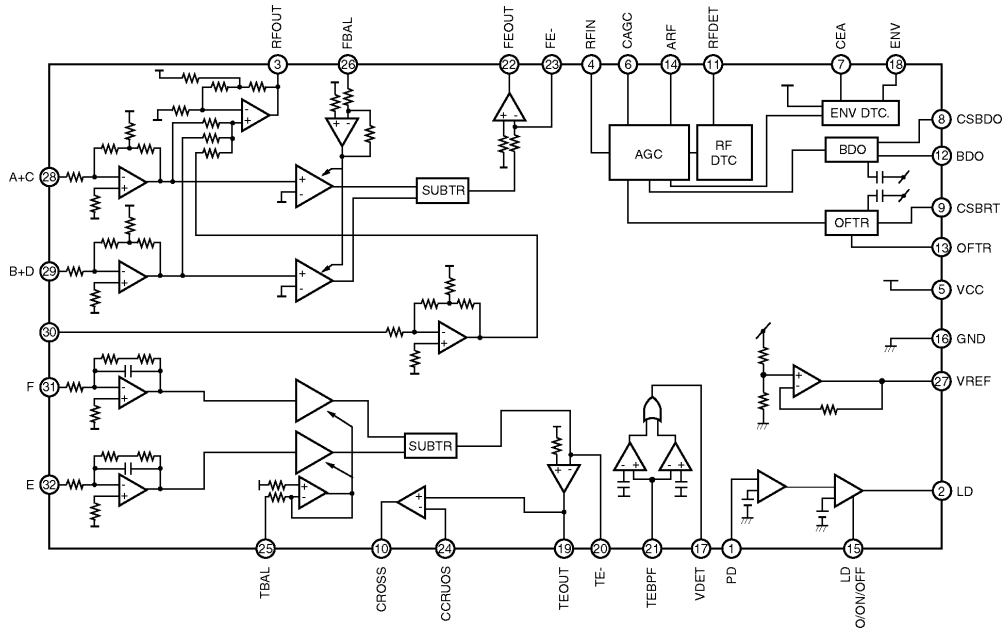


IC881 : C1EB00000042

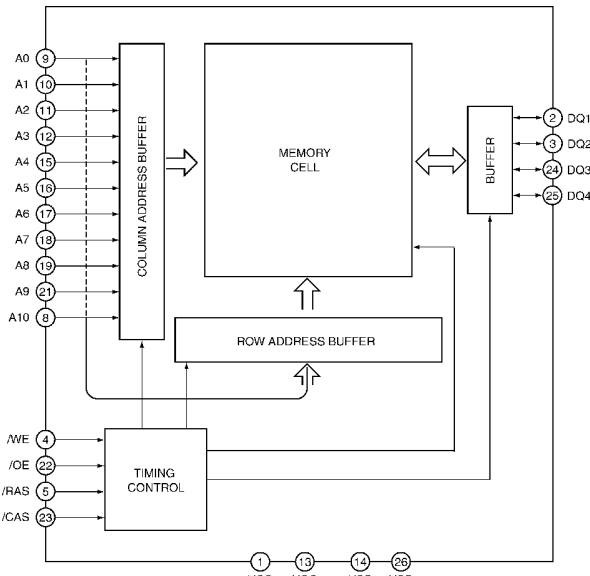
9.2. CD Servo Block



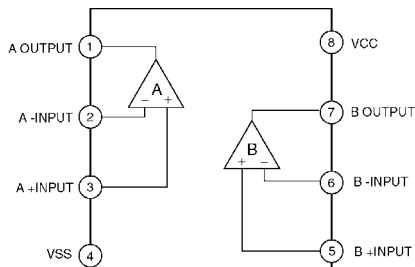
IC601 : YEAMBA5971FP



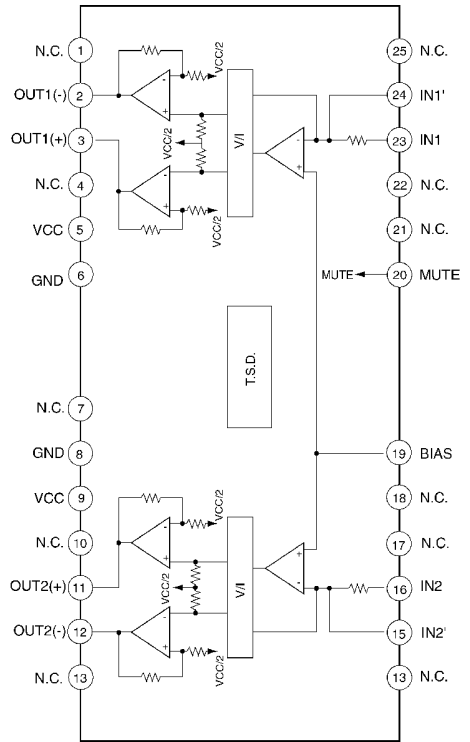
IC101 : YEAMBA6354BF



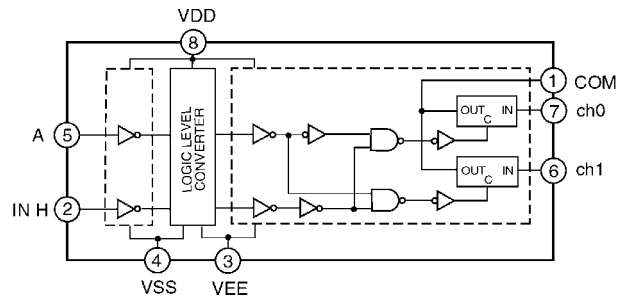
IC202 : C3ABMB000010



IC501 : YEAMPC358G2T



IC401 : YEAMBA6792FY



IC603 : YEAMT4W53FUL

10 CD DISC CENTERING ALIGNMENT

- This adjustment is for assuring that compact discs will be placed in the center of the turntable.

<Adjustment Condition / Jig>

- Power Supply Voltage : 13.2V
- Test Disc : TCD-784M

<Adjustment Procedures>

1. Attach the adjusting screw to the upper chassis (See Figure 1.).
2. Insert the test CD (TCD-784M) into the disc No.1 position and play it.
3. After checking whether the disc is centered on the turntable, turn the adjusting screw unit it is in the center.

<Check Items>

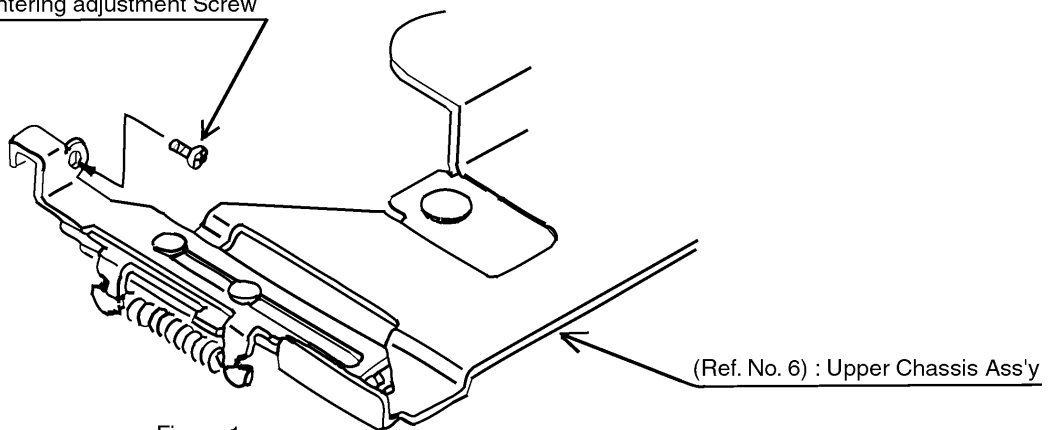
- Check that the disc is correctly centered.
- Check that the disc is securely clamped.
- Check that no abnormal noise is produced when clamping the disc.

[Directions of Turning the Adjusting Screw]

- CD stops before its proper position : Turn the screw counterclockwise.
- CD overruns : Turn the screw clockwise.

4. After the adjustment, lock the screw.

(Ref. No.156) : Centering adjustment Screw



<Figuer 1>

11 REPLACEMENT PARTS LIST

Notes :

1. Be sure to make your orders of replacement parts according to this list.
2. Important safety notice: Components, identified by Δ mark have special characteristics important for safety. When replacing any of these components, use only manufacturer's specified parts.
3. Location keys in the remarks column indicates the general location of the parts shown in the exploded drawing, as in a road map.
4. The marking (RTL) indicates that Retention Time is limited for this item. After the discontinuation of assembly in production, the item will continue to be available for a specific period of time. The retention period of availability is dependent on the type of assembly, and in accordance with the laws governing part and product retention. After the end of this period, the assembly will no longer be available.
5. "A", "B", "C", "D" or "E" marks in remarks column are indicated as follows :
 - A : CQ-EA1070L
 - B : CQ-EA1071L
 - C : CQ-EA1072L
 - D : CQ-EA1073L
 - E : CQ-EA1074L

| Ref. No. | Part No. | Part Name & Description | Remarks |
|-------------------------|--------------|-------------------------|---------|
| [E6802B] Main/Amp Block | | | |
| IC's and TRANSISTORS | | | |
| IC101 | AN6564NST1 | IC | |
| IC102 | COABCB000005 | IC | |
| IC103 | AN6564NST1 | IC | |
| IC104 | COABCB000005 | IC | |
| IC105 | YEAMLC72146T | IC | |
| IC106 | YEAMBU1923F | IC | |
| IC107 | CODBAHE00007 | IC | |
| IC201 | YEAMTA7705FL | IC | |
| IC202 | COABCB000005 | IC | |
| IC203 | YEAMPC4570T1 | IC | |
| IC204 | COABCB000005 | IC | |
| IC205 | YEAMPC4570T1 | IC | |
| IC281 | C1BA00000311 | IC | |
| IC382 | YEAMPC4570T1 | IC | |
| IC401 | COABBA000022 | IC | |
| IC701 | C2CBKA000001 | IC | |
| IC702 | C2HBZY000007 | IC | |
| IC703 | C1BB00000408 | IC | |
| IC704 | MN1382QTX | IC | |
| IC705 | YEAMS2922ADF | IC | |
| IC706 | YEAM2951MT | IC | |
| IC707 | C1EB00000039 | IC | |
| IC708 | YEAMC14584BE | IC | |
| IC709 | YEAM74HC126F | IC | |
| IC710 | YEAMLB1930MT | IC | |
| IC711 | C3BBGC000005 | IC | |
| IC712 | C3BBGC000005 | IC | |
| IC713 | COEBM0000005 | IC | |
| IC715 | MN1382JP | IC | |
| IC717 | CODBEMF00001 | IC | |
| IC718 | COCBABA00006 | IC | |
| IC719 | YEAMT7SH00UL | IC | |
| IC720 | YEAMT7SH00UL | IC | |
| IC881 | C1EB00000042 | IC | |

| Ref. No. | Part No. | Part Name & Description | Remarks |
|----------|--------------|-------------------------|---------|
| IC882 | C0DBZH000007 | IC | |
| IC883 | C0DBAHE00007 | IC | |
| IC884 | YEAMPC2410HF | IC | |
| IC885 | C0DAAHF00004 | IC | |
| IC887 | AN7805F | IC | |
| PA101 | J3CCAC000001 | Electronic Tuner | |
| PA102 | YEAU03SMX01 | Electronic Tuner | |
| Q106 | YEANFP1F3PT1 | Transistor | |
| Q108 | B1GBCFNN0004 | Transistor | |
| Q109 | 2SB1440TX | Transistor | |
| Q110 | YEANFP1F3PT1 | Transistor | |
| Q111 | YEANC114YKX | Transistor | |
| Q112 | B1GBCFNN0004 | Transistor | |
| Q201 | YEANC323TKT | Transistor | |
| Q202 | YEANC323TKT | Transistor | |
| Q203 | YEANC323TKT | Transistor | |
| Q301 | YEANC323TKT | Transistor | |
| Q302 | YEANC323TKT | Transistor | |
| Q303 | YEANC323TKT | Transistor | |
| Q401 | B1BBAC000007 | Transistor | |
| Q403 | B1ABBD000004 | Transistor | |
| Q404 | YEANC3518ZT1 | Transistor | |
| Q405 | 2SD1328STTX | Transistor | |
| Q406 | YEANC114YKX | Transistor | |
| Q407 | YEANC114YKX | Transistor | |
| Q701 | B1ABCF000042 | Transistor | |
| Q702 | B1GDCFJJ0008 | Transistor | |
| Q705 | YEANA144EKT | Transistor | |
| Q706 | YEANC3661TA | Transistor | |
| Q708 | YEAN2SK536TB | Transistor | |
| Q710 | YEANC114YKX | Transistor | |
| Q712 | YEANFP1F3PT1 | Transistor | |
| Q713 | YEANFP1F3PT1 | Transistor | |
| Q726 | YEANC114YKX | Transistor | |
| Q727 | 2SB1398QTA | Transistor | |
| Q728 | B1GBCFNN0004 | Transistor | |
| Q883 | YEANC3518ZT1 | Transistor | |
| Q884 | 2SD1328STTX | Transistor | |
| Q885 | 2SD1328STTX | Transistor | |
| Q887 | 2SB1193 | Transistor | |
| Q888 | YEANC114YKX | Transistor | |
| Q889 | 2SB1446TA | Transistor | |
| Q890 | YEANHQ1F3PT1 | Transistor | |
| Q892 | YEANC3518ZT1 | Transistor | |
| Q893 | YEANHQ1F3PT1 | Transistor | |
| Q894 | B1GBCFJJ0002 | Transistor | |
| Q895 | 2SB1073TX | Transistor | |
| Q896 | 2SB1073TX | Transistor | |
| DIODEs | | | |
| D101 | MA153ATW | Diode | |
| D102 | YEADRD43M2T2 | Diode | |
| D103 | MA153ATW | Diode | |
| D104 | MA153ATW | Diode | |
| D105 | YEADRD43M2T2 | Diode | |
| D106 | MA153ATW | Diode | |
| D108 | YEAD1SS355T1 | Diode | |
| D109 | YEAD1SS355T1 | Diode | |
| D110 | YEAD1SS355T1 | Diode | |
| D111 | YEAD1SS355T1 | Diode | |
| D201 | MA8068MTX | Diode | |
| D202 | YEADRB051L40 | Diode | |
| D203 | MAZ816000L | Diode | |
| D204 | MAZ816000L | Diode | |
| D303 | MAZ816000L | Diode | |
| D304 | MAZ816000L | Diode | |
| D401 | MA8051MTX | Diode | |
| D402 | MA8051MTX | Diode | |
| D403 | YEAD1SS355T1 | Diode | |
| D404 | YEAD1SS355T1 | Diode | |
| D405 | MA2J72900L | Diode | |
| D406 | YEAD1SS355T1 | Diode | |

| Ref. No. | Part No. | Part Name & Description | Remarks |
|-------------------|--------------|---------------------------|---------|
| D409 | MAZ33600ML | Diode | |
| D410 | MAZ33600ML | Diode | |
| D709 | YEAD1SS355T1 | Diode | |
| D710 | MA2J72900L | Diode | |
| D711 | YEAD1SS355T1 | Diode | |
| D712 | YEAD1SS355T1 | Diode | |
| D723 | YEAD1SS355T1 | Diode | |
| D724 | YEAD1SS355T1 | Diode | |
| D725 | YEAD1SS355T1 | Diode | |
| D726 | B0BC5R600014 | Diode | |
| D727 | YEAD1SS355T1 | Diode | |
| D731 | YEAD1SS355T1 | Diode | |
| D732 | YEAD1SS355T1 | Diode | |
| D733 | YEAD1SS355T1 | Diode | |
| D736 | MA151WKTW | Diode | |
| D738 | MA151WA | Diode | |
| D741 | YEAD1SS355T1 | Diode | |
| D881 | YEADSS3MA2T | Diode | |
| D884 | MAZ80620HL | Diode | |
| D885 | YEAD1SS355T1 | Diode | |
| D886 | YEAD1SS355T1 | Diode | |
| D887 | YEAD1SS355T1 | Diode | |
| D888 | YEAD1SS355T1 | Diode | |
| D889 | MA151WKTW | Diode | |
| D891 | YEAD1SS355T1 | Diode | |
| D892 | MAZ816000L | Diode | |
| D893 | MAZ816000L | Diode | |
| D894 | MA8056LMHTX | Diode | |
| D895 | MA8056LMHTX | Diode | |
| D896 | MA8056LMHTX | Diode | |
| D897 | MA8056LMHTX | Diode | |
| | | | |
| | | | |
| CAPACITORS | | | |
| C101 | ECA1CM102B | Electrolytic, 1000µF 16WV | |
| C102 | YECUS1H103KX | Ceramic, 0.01µF 50WV | |
| C103 | YECUS1E223KX | Ceramic, 0.022µF 25WV | |
| C112 | F1J1H102A034 | Ceramic, 1000PF 50WV | |
| C113 | F1J1H102A034 | Ceramic, 1000PF 50WV | |
| C114 | YECUS1H103KX | Ceramic, 0.01µF 50WV | |
| C115 | YECUS1H103KX | Ceramic, 0.01µF 50WV | |
| C116 | YECUS1H103KX | Ceramic, 0.01µF 50WV | |
| C117 | YECUS1H222KX | Ceramic, 2200PF 50WV | |
| C118 | YECUS1H183KX | Ceramic, 0.018µF 50WV | |
| C119 | YECUS1H103KX | Ceramic, 0.01µF 50WV | |
| C120 | YECUS1H222KX | Ceramic, 2200PF 50WV | |
| C121 | ECEA1KA221I | Electrolytic, 220µF 10WV | |
| C122 | YECUZ1H151JC | Ceramic, 150PF 50WV | |
| C123 | YECUZ1H151JC | Ceramic, 150PF 50WV | |
| C124 | YECUZ1H151JC | Ceramic, 150PF 50WV | |
| C125 | YECUZ1H151JC | Ceramic, 150PF 50WV | |
| C126 | YECUZ1H122KX | Ceramic, 1200PF 50WV | |
| C127 | F1H1H152A021 | Ceramic, 1500PF 50WV | |
| C128 | YECUS1H103KX | Ceramic, 0.01µF 50WV | |
| C129 | YECUZ1H220JC | Ceramic, 22PF 50WV | |
| C130 | F1J1H102A034 | Ceramic, 1000PF 50WV | |
| C131 | ECEA1CKA100I | Electrolytic, 10µF 16WV | |
| C132 | F1H1H102A021 | Ceramic, 1000PF 50WV | |
| C133 | ECEA1CKA100I | Electrolytic, 10µF 16WV | |
| C134 | ECEA1CKA100I | Electrolytic, 10µF 16WV | |
| C136 | YECUZ1H151JC | Ceramic, 150PF 50WV | |
| C137 | YECUS1H151JM | Ceramic, 150PF 50WV | |
| C138 | YECUS1H151JM | Ceramic, 150PF 50WV | |
| C139 | YECUS1H151JM | Ceramic, 150PF 50WV | |
| C140 | YECUZ1H122KX | Ceramic, 1200PF 50WV | |
| C141 | F1H1H152A021 | Ceramic, 1500PF 50WV | |
| C142 | F1H1H103A021 | Ceramic, 0.01µF 50WV | |
| C143 | F1H1H102A021 | Ceramic, 1000PF 50WV | |
| C144 | YECUZ1H220JC | Ceramic, 22PF 50WV | |
| C145 | F1H1H102A021 | Ceramic, 1000PF 50WV | |
| C146 | ECEA1CKA100I | Electrolytic, 10µF 16WV | |
| C147 | ECEA1CKA100I | Electrolytic, 10µF 16WV | |
| C148 | ECEA1CKA100I | Electrolytic, 10µF 16WV | |

| Ref. No. | Part No. | Part Name & Description | Remarks |
|----------|--------------|--------------------------|---------|
| C149 | YECUS1H101JM | Ceramic, 100PF 50WV | |
| C150 | YECUS1H101JM | Ceramic, 100PF 50WV | |
| C151 | YECUZ1A224KX | Ceramic, 0.22µF 10WV | |
| C152 | F1J1H120A034 | Ceramic, 12PF 50WV | |
| C153 | YECUS1H150JM | Ceramic, 15PF 50WV | |
| C154 | F1J1H102A034 | Ceramic, 1000PF 50WV | |
| C155 | ECEA0JKA470I | Electrolytic, 47µF 6.3WV | |
| C156 | YECUS1H330JM | Ceramic, 33PF 50WV | |
| C157 | YECUS1H220JM | Ceramic, 22PF 50WV | |
| C158 | ECEA0JKA470I | Electrolytic, 47µF 6.3WV | |
| C159 | YECUS1E223KX | Ceramic, 0.022µF 25WV | |
| C160 | YECUS1H331JM | Ceramic, 330PF 50WV | |
| C161 | ECEA1HKA2R2I | Electrolytic, 2.2µF 50WV | |
| C162 | ECEA0JKA470I | Electrolytic, 47µF 6.3WV | |
| C163 | F1H1H102A021 | Ceramic, 1000PF 50WV | |
| C164 | YECUS1H560JM | Ceramic, 56PF 50WV | |
| C165 | ECEA1AKA101I | Electrolytic, 100µF 10WV | |
| C166 | YECUS1H103KX | Ceramic, 0.01µF 50WV | |
| C169 | YECUS1E393KX | Ceramic, 0.039µF 25WV | |
| C170 | YECUS1E393KX | Ceramic, 0.039µF 25WV | |
| C173 | YECUS1H103KX | Ceramic, 0.01µF 50WV | |
| C175 | YECUS1E223KX | Ceramic, 0.022µF 25WV | |
| C176 | YECUS1H101JM | Ceramic, 100PF 50WV | |
| C177 | YECUS1H103KX | Ceramic, 0.01µF 50WV | |
| C178 | ECEA1CKA101 | Electrolytic, 100µF 16WV | |
| C184 | YECUS1C224KX | Ceramic, 0.22µF 16WV | |
| C185 | YECUS1C224KX | Ceramic, 0.22µF 16WV | |
| C187 | F1J1H102A034 | Ceramic, 1000PF 50WV | |
| C188 | YECUS1C224KX | Ceramic, 0.22µF 16WV | |
| C189 | YECUS1H101JM | Ceramic, 100PF 50WV | |
| C194 | F1H1H103A021 | Ceramic, 0.01µF 50WV | |
| C195 | YECUS1H103KX | Ceramic, 0.01µF 50WV | |
| C196 | EEAFC1A820H | Electrolytic, 82µF 10WV | |
| C197 | YECUS1H103KX | Ceramic, 0.01µF 50WV | |
| C201 | YECUS1H103KX | Ceramic, 0.01µF 50WV | |
| C204 | YECUS1H272KX | Ceramic, 2700PF 50WV | |
| C205 | YECUS1H222KX | Ceramic, 2200PF 50WV | |
| C206 | YECUZ1H271JC | Ceramic, 270PF 50WV | |
| C207 | ECEA1HKA2R2I | Electrolytic, 2.2µF 50WV | |
| C208 | ECEA1HKA2R2I | Electrolytic, 2.2µF 50WV | |
| C209 | ECEA1CKA101 | Electrolytic, 100µF 16WV | |
| C210 | YECUZ1E104ZF | Ceramic, 0.1µF 25WV | |
| C214 | YECUS1H272KX | Ceramic, 2700PF 50WV | |
| C215 | YECUS1H222KX | Ceramic, 2200PF 50WV | |
| C216 | YECUZ1H271JC | Ceramic, 270PF 50WV | |
| C217 | ECEA1HKA2R2I | Electrolytic, 2.2µF 50WV | |
| C218 | ECEA1HKA2R2I | Electrolytic, 2.2µF 50WV | |
| C219 | ECEA1CKA100I | Electrolytic, 10µF 16WV | |
| C221 | YECUZ1H331JC | Ceramic, 330PF 50WV | |
| C222 | YECUS1H331JM | Ceramic, 330PF 50WV | |
| C223 | YECUZ1E123KX | Ceramic, 0.012µF 25WV | |
| C224 | ECEA0JKA470I | Electrolytic, 47µF 6.3WV | |
| C225 | YECUS1A105KX | Ceramic, 1µF 10WV | |
| C226 | YECUS1A105KX | Ceramic, 1µF 10WV | |
| C230 | YECUS1H272KX | Ceramic, 2700PF 50WV | |
| C231 | YECUS1H222KX | Ceramic, 2200PF 50WV | |
| C232 | YECUS1A105KX | Ceramic, 1µF 10WV | |
| C233 | YECUS1A105KX | Ceramic, 1µF 10WV | |
| C234 | YECUZ1H271JC | Ceramic, 270PF 50WV | |
| C235 | ECEA1HKA2R2I | Electrolytic, 2.2µF 50WV | |
| C236 | YECUS1A105KX | Ceramic, 1µF 10WV | |
| C237 | F1H1H101A020 | Ceramic, 100PF 50WV | |
| C238 | ECEA1CKA100I | Electrolytic, 10µF 16WV | |
| C239 | ECEA1CKA100I | Electrolytic, 10µF 16WV | |
| C241 | F1H1H101A020 | Ceramic, 100PF 50WV | |
| C242 | ECEA1CKA100I | Electrolytic, 10µF 16WV | |
| C243 | ECEA1CKA100I | Electrolytic, 10µF 16WV | |
| C245 | ECEA1CKA100I | Electrolytic, 10µF 16WV | |
| C246 | YECUS1C224KX | Ceramic, 0.22µF 16WV | |
| C247 | ECA1CKA221XI | Electrolytic, 220µF 16WV | |
| C248 | ECA1CKA221XI | Electrolytic, 220µF 16WV | |
| C304 | F1H1H272A021 | Ceramic, 2700PF 50WV | |
| C305 | F1H1H222A021 | Ceramic, 2200PF 50WV | |

| Ref. No. | Part No. | Part Name & Description | Remarks |
|----------|--------------|---------------------------|---------|
| C306 | YECUS1H271JM | Ceramic, 270PF 50WV | |
| C307 | ECEA1HKA2R2I | Electrolytic, 2.2µF 50WV | |
| C308 | ECEA1HKA2R2I | Electrolytic, 2.2µF 50WV | |
| C309 | ECEA1HKA010I | Electrolytic, 1µF 50WV | |
| C310 | ECEA1CKA100I | Electrolytic, 10µF 16WV | |
| C314 | F1H1H272A021 | Ceramic, 2700PF 50WV | |
| C315 | F1H1H222A021 | Ceramic, 2200PF 50WV | |
| C316 | YECUS1H271JM | Ceramic, 270PF 50WV | |
| C317 | ECEA1HKA2R2I | Electrolytic, 2.2µF 50WV | |
| C318 | ECEA1HKA2R2I | Electrolytic, 2.2µF 50WV | |
| C319 | YECUS1A105KX | Ceramic, 1µF 10WV | |
| C321 | YECUS1H331JM | Ceramic, 330PF 50WV | |
| C322 | YECUS1H331JM | Ceramic, 330PF 50WV | |
| C323 | YECUZ1E123KX | Ceramic, 0.012µF 25WV | |
| C324 | ECEA0JKA470I | Electrolytic, 47µF 6.3WV | |
| C325 | YECUS1A105KX | Ceramic, 1µF 10WV | |
| C326 | YECUS1A105KX | Ceramic, 1µF 10WV | |
| C327 | YECUS1A105KX | Ceramic, 1µF 10WV | |
| C330 | F1H1H272A021 | Ceramic, 2700PF 50WV | |
| C331 | F1H1H222A021 | Ceramic, 2200PF 50WV | |
| C332 | YECUS1A105KX | Ceramic, 1µF 10WV | |
| C333 | YECUS1A105KX | Ceramic, 1µF 10WV | |
| C334 | YECUS1H271JM | Ceramic, 270PF 50WV | |
| C335 | ECEA1HKA2R2I | Electrolytic, 2.2µF 50WV | |
| C337 | F1H1H101A020 | Ceramic, 100PF 50WV | |
| C338 | ECEA1CKA100I | Electrolytic, 10µF 16WV | |
| C339 | ECEA1CKA100I | Electrolytic, 10µF 16WV | |
| C341 | F1H1H101A020 | Ceramic, 100PF 50WV | |
| C342 | ECEA1CKA100I | Electrolytic, 10µF 16WV | |
| C343 | ECEA1CKA100I | Electrolytic, 10µF 16WV | |
| C345 | F1H1H103A021 | Ceramic, 0.01µF 50WV | |
| C346 | YECUS1C224KX | Ceramic, 0.22µF 16WV | |
| C380 | ECA1CM102B | Electrolytic, 1000µF 16WV | |
| C381 | YECUS1C224KX | Ceramic, 0.22µF 16WV | |
| C382 | ECA1CM102B | Electrolytic, 1000µF 16WV | |
| C388 | YECUS1A105KX | Ceramic, 1µF 10WV | |
| C389 | YECUS1C104KX | Ceramic, 0.1µF 16WV | |
| C390 | YECUS1C224KX | Ceramic, 0.22µF 16WV | |
| C391 | YECUS1C224KX | Ceramic, 0.22µF 16WV | |
| C392 | F1H1H101A020 | Ceramic, 100PF 50WV | |
| C393 | YECUS1A105KX | Ceramic, 1µF 10WV | |
| C394 | YECUZ1A224KX | Ceramic, 0.22µF 10WV | |
| C395 | YECUZ1A224KX | Ceramic, 0.22µF 10WV | |
| C396 | F1H1H101A020 | Ceramic, 100PF 50WV | |
| C397 | ECEA1CKA470I | Electrolytic, 47µF 16WV | |
| C398 | F1H1H103A021 | Ceramic, 0.01µF 50WV | |
| C399 | YECUS1H101JM | Ceramic, 100PF 50WV | |
| C401 | YECUS1H101JM | Ceramic, 100PF 50WV | |
| C402 | YECUS1H101JM | Ceramic, 100PF 50WV | |
| C403 | YECUS1H101JM | Ceramic, 100PF 50WV | |
| C404 | YECUS1H101JM | Ceramic, 100PF 50WV | |
| C405 | F1H1H103A021 | Ceramic, 0.01µF 50WV | |
| C407 | YECUS1E223KX | Ceramic, 0.022µF 25WV | |
| C408 | YECUS1H101JM | Ceramic, 100PF 50WV | |
| C409 | YECUS1H103KX | Ceramic, 0.01µF 50WV | |
| C410 | YECUS1H820JM | Ceramic, 82PF 50WV | |
| C411 | YECUS1H271JM | Ceramic, 270PF 50WV | |
| C412 | YECUS1H103KX | Ceramic, 0.01µF 50WV | |
| C413 | YECUS1H103KX | Ceramic, 0.01µF 50WV | |
| C414 | YECUS1H103KX | Ceramic, 0.01µF 50WV | |
| C415 | YECUS1H103KX | Ceramic, 0.01µF 50WV | |
| C416 | ECEA1CKA101 | Electrolytic, 100µF 16WV | |
| C417 | YECUS1E223KX | Ceramic, 0.022µF 25WV | |
| C418 | F1H1H101A020 | Ceramic, 100PF 50WV | |
| C419 | YECUZ1E104ZF | Ceramic, 0.1µF 25WV | |
| C701 | ECEA1CKA100I | Electrolytic, 10µF 16WV | |
| C702 | ECEA1CKA100I | Electrolytic, 10µF 16WV | |
| C703 | YECUZ1E104ZF | Ceramic, 0.1µF 25WV | |
| C704 | YECUZ1E104ZF | Ceramic, 0.1µF 25WV | |
| C705 | ECEA1CKA100I | Electrolytic, 10µF 16WV | |
| C706 | ECEA0JKA331I | Electrolytic, 330µF 6.3WV | |
| C707 | YECUS1A105KX | Ceramic, 1µF 10WV | |
| C708 | YECUZ1E104ZF | Ceramic, 0.1µF 25WV | |

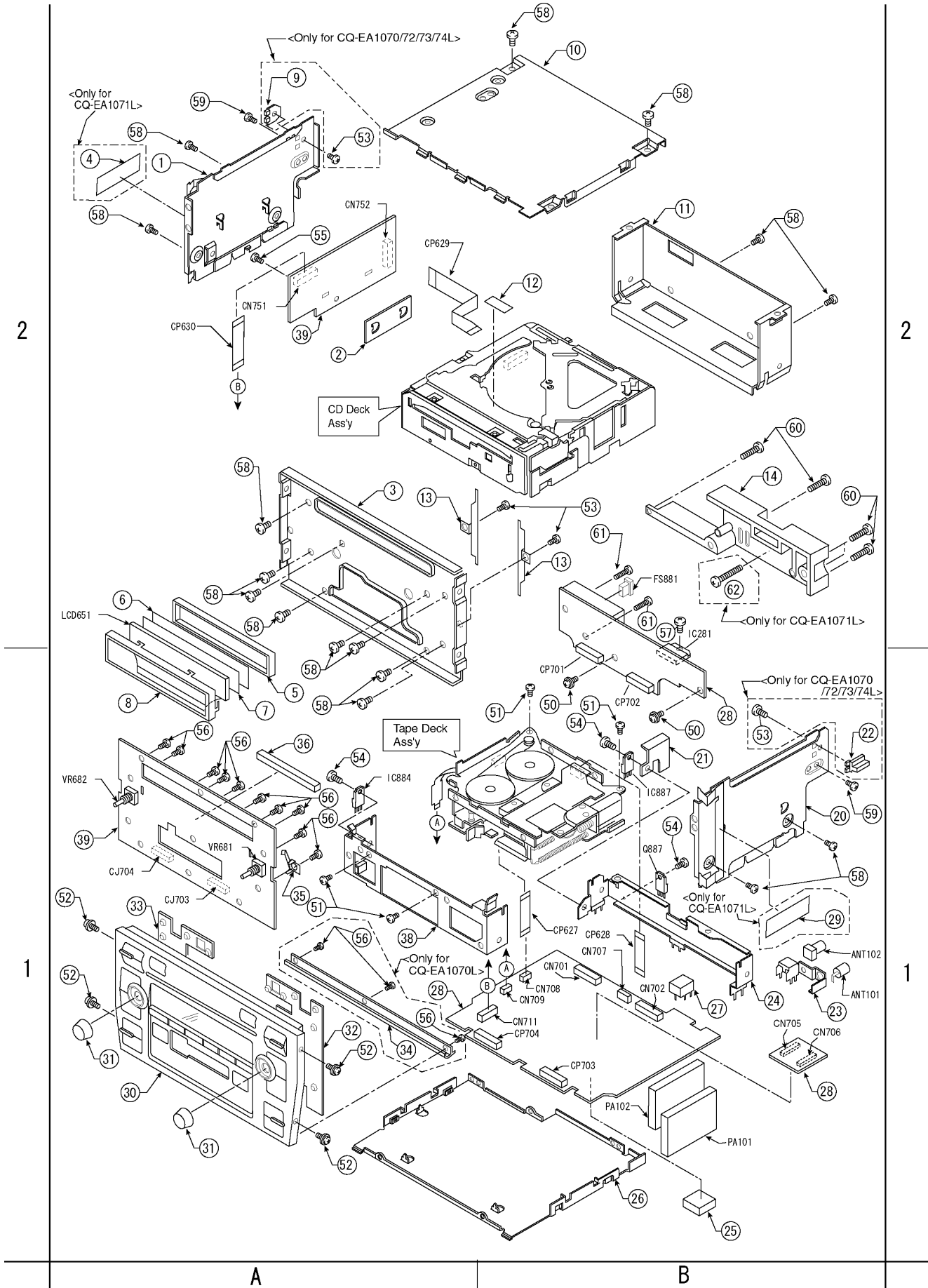
| Ref. No. | Part No. | Part Name & Description | Remarks |
|----------|--------------|---------------------------|---------|
| C709 | YECUZ1E104ZF | Ceramic, 0.1µF 25WV | |
| C710 | YECUZ1E104ZF | Ceramic, 0.1µF 25WV | |
| C711 | YECUZ1E104ZF | Ceramic, 0.1µF 25WV | |
| C712 | ECEA1CKA100I | Electrolytic, 10µF 16WV | |
| C713 | YECUS1H221JM | Ceramic, 220PF 50WV | |
| C715 | YECUS1C104KX | Ceramic, 0.1µF 16WV | |
| C716 | ECA1CM471B | Electrolytic, 470µF 16WV | |
| C717 | YECUS1A105KX | Ceramic, 1µF 10WV | |
| C718 | YECUS1H221JM | Ceramic, 220PF 50WV | |
| C719 | YECUZ1E104ZF | Ceramic, 0.1µF 25WV | |
| C722 | ECEA1CKA100I | Electrolytic, 10µF 16WV | |
| C723 | F1H1H103A021 | Ceramic, 0.01µF 50WV | |
| C724 | YECUZ1E104ZF | Ceramic, 0.1µF 25WV | |
| C725 | YECUZ1E104ZF | Ceramic, 0.1µF 25WV | |
| C726 | F1H0J1050010 | Ceramic, 1µF 6.3WV | |
| C727 | F1H1H103A021 | Ceramic, 0.01µF 50WV | |
| C728 | F1H0J1050010 | Ceramic, 1µF 6.3WV | |
| C729 | ECEA1CKA100I | Electrolytic, 10µF 16WV | |
| C730 | ECEA1CKA100I | Electrolytic, 10µF 16WV | |
| C731 | YECUZ1E104ZF | Ceramic, 0.1µF 25WV | |
| C732 | ECEA1CKA470I | Electrolytic, 47µF 16WV | |
| C733 | ECEA1CKA100I | Electrolytic, 10µF 16WV | |
| C734 | YECUS1C104KX | Ceramic, 0.1µF 16WV | |
| C735 | ECEA0JKA470I | Electrolytic, 47µF 6.3WV | |
| C736 | YECUS1C104KX | Ceramic, 0.1µF 16WV | |
| C737 | ECEA0JKA470I | Electrolytic, 47µF 6.3WV | |
| C738 | YECUS1C104KX | Ceramic, 0.1µF 16WV | |
| C739 | ECEA0JKA470I | Electrolytic, 47µF 6.3WV | |
| C740 | YECUS1H332KX | Ceramic, 330PF 50WV | |
| C741 | YECUS1H332KX | Ceramic, 330PF 50WV | |
| C742 | F1H1H103A021 | Ceramic, 0.01µF 50WV | |
| C743 | ECEA1AKA220I | Electrolytic, 22µF 10WV | |
| C744 | YECUS1A105KX | Ceramic, 1µF 10WV | |
| C745 | YECUS1A105KX | Ceramic, 1µF 10WV | |
| C746 | YECUS1A105KX | Ceramic, 1µF 10WV | |
| C747 | YECUS1A105KX | Ceramic, 1µF 10WV | |
| C748 | YECUS1A105KX | Ceramic, 1µF 10WV | |
| C749 | YECUS1H103KX | Ceramic, 0.01µF 50WV | |
| C750 | YECUS1A105KX | Ceramic, 1µF 10WV | |
| C751 | YECUS1C224KX | Ceramic, 0.22µF 16WV | |
| C752 | ECEA0JKA470I | Electrolytic, 47µF 6.3WV | |
| C753 | F1H1H102A021 | Ceramic, 100PF 50WV | |
| C754 | F1H0J1050010 | Ceramic, 1µF 6.3WV | |
| C755 | F1H0J1050010 | Ceramic, 1µF 6.3WV | |
| C756 | ECEA0JKA470I | Electrolytic, 47µF 6.3WV | |
| C757 | F1J1H120A034 | Ceramic, 12PF 50WV | |
| C758 | F1J1H120A034 | Ceramic, 12PF 50WV | |
| C759 | ECEA1CKA100I | Electrolytic, 10µF 16WV | |
| C762 | F1H0J1050010 | Ceramic, 1µF 6.3WV | |
| C763 | YECUS1A105KX | Ceramic, 1µF 10WV | |
| C764 | YECUZ1H331JC | Ceramic, 330PF 50WV | |
| C765 | YECUZ1H331JC | Ceramic, 330PF 50WV | |
| C770 | ECEA0JKA101I | Electrolytic, 100µF 6.3WV | |
| C771 | YECUS1C104KX | Ceramic, 0.1µF 16WV | |
| C772 | EEAFC0J121H | Ceramic, 120µF 6.3WV | |
| C773 | YECUZ1E104ZF | Ceramic, 0.1µF 25WV | |
| C774 | F1J1H102A034 | Ceramic, 0.001µF 50WV | |
| C777 | YECUS1H220JM | Ceramic, 22PF 50WV | |
| C778 | F1J1H120A034 | Ceramic, 12PF 50WV | |
| C779 | YECUS1H100DM | Ceramic, 10PF 50WV | |
| C780 | YECUS1H100DM | Ceramic, 10PF 50WV | |
| C781 | YECUZ1E104ZF | Ceramic, 0.1µF 25WV | |
| C782 | YECUZ1E104ZF | Ceramic, 0.1µF 25WV | |
| C783 | F1J1H102A034 | Ceramic, 1000PF 50WV | |
| C784 | F1J1H102A034 | Ceramic, 1000PF 50WV | |
| C785 | YECUS1H103KX | Ceramic, 0.01µF 50WV | |
| C786 | YECUS1H103KX | Ceramic, 0.01µF 50WV | |
| C788 | YECUS1H101JM | Ceramic, 100PF 50WV | |
| C789 | YECUS1C224KX | Ceramic, 0.22µF 16WV | |
| C790 | F1H1H102A021 | Ceramic, 1000PF 50WV | |
| C791 | YECUS1C334KX | Ceramic, 0.33µF 16WV | |
| C793 | F1H0J1050010 | Ceramic, 1µF 6.3WV | |
| C794 | F1J1H102A034 | Ceramic, 1000PF 50WV | |

| Ref. No. | Part No. | Part Name & Description | Remarks |
|----------|--------------|---------------------------|---------|
| R207 | ERJ6GEYJ472 | Chip, 4.7k Ω 1/10W | |
| R208 | ERJ6GEYJ473 | Chip, 47k Ω 1/10W | |
| R209 | ERJ6GEYJ473 | Chip, 47k Ω 1/10W | |
| R210 | ERJ6GEYJ473 | Chip, 47k Ω 1/10W | |
| R212 | ERJ6GEYJ102 | Chip, 1k Ω 1/10W | |
| R213 | ERJ6GEYJ562 | Chip, 5.6k Ω 1/10W | |
| R214 | ERJ3GEYJ103V | Chip, 10k Ω 1/16W | |
| R215 | ERJ3GEYJ822V | Chip, 8.2k Ω 1/16W | |
| R216 | ERJ6GEYJ472 | Chip, 4.7k Ω 1/10W | |
| R221 | ERJ3GEYJ124V | Chip, 120k Ω 1/16W | |
| R222 | ERJ6GEYJ124 | Chip, 120k Ω 1/10W | |
| R223 | ERJ3GEYJ183V | Chip, 18k Ω 1/16W | |
| R224 | ERJ3GEYJ123V | Chip, 12k Ω 1/16W | |
| R225 | ERJ3GEYJ334V | Chip, 330k Ω 1/16W | |
| R226 | ERJ3GEYJ121V | Chip, 120 Ω 1/16W | |
| R232 | ERJ3GEYJ103V | Chip, 10k Ω 1/16W | |
| R233 | ERJ3GEYJ822V | Chip, 8.2k Ω 1/16W | |
| R235 | ERJ6GEYJ102 | Chip, 1k Ω 1/10W | |
| R236 | ERJ6GEYJ562 | Chip, 5.6k Ω 1/10W | |
| R237 | ERJ6GEYJ4R7 | Chip, 4.7 Ω 1/10W | |
| R238 | ERJ6GEYJ182 | Chip, 1.8k Ω 1/10W | |
| R239 | ERJ6GEYJ122 | Chip, 1.2k Ω 1/10W | |
| R240 | ERJ3GEYJ222V | Chip, 2.2k Ω 1/16W | |
| R241 | ERJ3GEYJ222V | Chip, 2.2k Ω 1/16W | |
| R242 | ERJ3GEYJ182V | Chip, 1.8k Ω 1/16W | |
| R243 | ERJ6GEYJ122 | Chip, 1.2k Ω 1/10W | |
| R244 | ERJ3GEYJ4R7V | Chip, 4.7 Ω 1/16W | |
| R245 | ERJ3GEYJ823V | Chip, 82k Ω 1/16W | |
| R246 | ERJ3GEYJ823V | Chip, 82k Ω 1/16W | |
| R247 | ERJ6GEYJ103 | Chip, 10k Ω 1/10W | |
| R248 | ERJ6GEYJ183 | Chip, 18k Ω 1/10W | |
| R249 | ERJ3GEYOR00V | Chip, 0 Ω 1/16W | |
| R250 | ERJ6GEYJ103 | Chip, 10k Ω 1/10W | |
| R251 | ERJ6GEYJ123 | Chip, 12k Ω 1/10W | |
| R283 | ERJ8GEYJ822V | Chip, 8.2k Ω 1/8W | |
| R284 | ERJ6GEYJ473 | Chip, 47k Ω 1/10W | |
| R302 | ERJ3GEYJ102V | Chip, 1k Ω 1/16W | |
| R303 | ERJ3GEYJ562V | Chip, 5.6k Ω 1/16W | |
| R304 | ERJ6GEYJ103 | Chip, 10k Ω 1/10W | |
| R305 | ERJ6GEYJ822 | Chip, 8.2k Ω 1/10W | |
| R306 | ERJ6GEYJ472 | Chip, 4.7k Ω 1/10W | |
| R307 | ERJ6GEYJ472 | Chip, 4.7k Ω 1/10W | |
| R308 | ERJ6GEYJ473 | Chip, 47k Ω 1/10W | |
| R309 | ERJ6GEYJ473 | Chip, 47k Ω 1/10W | |
| R310 | ERJ6GEYJ473 | Chip, 47k Ω 1/10W | |
| R312 | ERJ3GEYJ102V | Chip, 1k Ω 1/16W | |
| R313 | ERJ3GEYJ562V | Chip, 5.6k Ω 1/16W | |
| R314 | ERJ6GEYJ103 | Chip, 10k Ω 1/10W | |
| R315 | ERJ6GEYJ822 | Chip, 8.2k Ω 1/10W | |
| R316 | ERJ6GEYJ472 | Chip, 4.7k Ω 1/10W | |
| R321 | ERJ6GEYJ124 | Chip, 120k Ω 1/10W | |
| R322 | ERJ6GEYJ124 | Chip, 120k Ω 1/10W | |
| R323 | ERJ3GEYJ183V | Chip, 18k Ω 1/16W | |
| R324 | ERJ3GEYJ123V | Chip, 12k Ω 1/16W | |
| R325 | ERJ3GEYJ334V | Chip, 330k Ω 1/16W | |
| R326 | ERJ3GEYJ121V | Chip, 120 Ω 1/16W | |
| R332 | ERJ6GEYJ103 | Chip, 10k Ω 1/10W | |
| R333 | ERJ6GEYJ822 | Chip, 8.2k Ω 1/10W | |
| R335 | ERJ3GEYJ102V | Chip, 1k Ω 1/16W | |
| R336 | ERJ3GEYJ562V | Chip, 5.6k Ω 1/16W | |
| R337 | ERJ6GEYJ222 | Chip, 2.2k Ω 1/10W | |
| R338 | ERJ3GEYJ182V | Chip, 1.8k Ω 1/16W | |
| R339 | ERJ6GEYJ122 | Chip, 1.2k Ω 1/10W | |
| R340 | ERJ3GEYJ4R7V | Chip, 4.7 Ω 1/16W | |
| R341 | ERJ3GEYJ4R7V | Chip, 4.7 Ω 1/16W | |
| R342 | ERJ3GEYJ182V | Chip, 1.8k Ω 1/16W | |
| R343 | ERJ6GEYJ122 | Chip, 1.2k Ω 1/10W | |
| R344 | ERJ3GEYJ222V | Chip, 2.2k Ω 1/16W | |
| R345 | ERJ3GEYJ823V | Chip, 82k Ω 1/16W | |
| R346 | ERJ6GEYJ823 | Chip, 82k Ω 1/10W | |
| R347 | ERJ3GEYOR00V | Chip, 0 Ω 1/16W | |
| R379 | ERJ6GEYJ823 | Chip, 82k Ω 1/10W | |
| R381 | ERJ6GEYJ684 | Chip, 680k Ω 1/10W | |

| Ref. No. | Part No. | Part Name & Description | Remarks |
|----------|--------------|---------------------------|---------|
| R382 | ERJ6GEYJ474 | Chip, 470k Ω 1/10W | |
| R383 | ERJ8GEYJ822V | Chip, 8.2k Ω 1/8W | |
| R384 | ERJ6GEYJ473 | Chip, 47k Ω 1/10W | |
| R389 | ERJ3GEYJ332V | Chip, 3.3k Ω 1/16W | |
| R390 | ERJ3GEYJ103V | Chip, 10k Ω 1/16W | |
| R391 | ERJ3GEYJ103V | Chip, 10k Ω 1/16W | |
| R392 | ERJ3GEYJ561V | Chip, 560 Ω 1/16W | |
| R393 | ERJ3GEYJ332V | Chip, 3.3k Ω 1/16W | |
| R397 | ERJ6GEYJ103 | Chip, 10k Ω 1/10W | |
| R398 | ERJ6GEYJ102 | Chip, 1k Ω 1/10W | |
| R399 | ERJ6GEYJ103 | Chip, 10k Ω 1/10W | |
| R401 | ERJ6GEYJ683 | Chip, 68k Ω 1/10W | |
| R402 | ERJ6GEYJ392 | Chip, 3.9k Ω 1/10W | |
| R403 | ERJ6GEYJ392 | Chip, 3.9k Ω 1/10W | |
| R404 | ERJ6GEYJ684 | Chip, 680k Ω 1/10W | |
| R405 | ERJ3GEYJ683V | Chip, 68k Ω 1/16W | |
| R406 | ERJ6GEYJ684 | Chip, 680k Ω 1/10W | |
| R407 | ERJ6GEYJ334 | Chip, 330k Ω 1/10W | |
| R410 | ERJ6GEYJ334 | Chip, 330k Ω 1/10W | |
| R411 | ERJ12YJ102H | Chip, 1k Ω 1/2W | |
| R414 | ERJ12YJ561H | Chip, 560 Ω 1/2W | |
| R415 | ERJ6GEYJ561 | Chip, 560 Ω 1/10W | |
| R416 | ERJ6GEYJ223 | Chip, 22k Ω 1/10W | |
| R417 | ERJ6GEYJ183 | Chip, 18k Ω 1/10W | |
| R418 | ERJ6GEYJ183 | Chip, 18k Ω 1/10W | |
| R419 | ERJ6GEYJ681 | Chip, 680 Ω 1/10W | |
| R420 | ERJ6GEYJ183 | Chip, 18k Ω 1/10W | |
| R421 | ERJ3GEYJ273V | Chip, 27k Ω 1/16W | |
| R422 | ERJ3GEYJ273V | Chip, 27k Ω 1/16W | |
| R423 | ERJ12YJ102H | Chip, 1k Ω 1/2W | |
| R425 | ERJ3GEYJ151V | Chip, 150 Ω 1/16W | |
| R426 | ERJ12YJ2R7H | Chip, 2.7 Ω 1/2W | |
| R701 | ERJ6GEYJ103 | Chip, 10k Ω 1/10W | |
| R702 | ERJ3GEYJ473V | Chip, 47k Ω 1/16W | |
| R703 | ERJ6GEYJ473 | Chip, 47k Ω 1/10W | |
| R704 | ERJ3GEYJ473V | Chip, 47k Ω 1/16W | |
| R712 | ERJ3GEYJ473V | Chip, 47k Ω 1/16W | |
| R717 | ERJ6GEYJ473 | Chip, 47k Ω 1/10W | |
| R718 | ERJ6GEYJ222 | Chip, 2.2k Ω 1/10W | |
| R719 | ERJ6GEYJ222 | Chip, 2.2k Ω 1/10W | |
| R720 | ERJ3GEYJ103V | Chip, 10k Ω 1/16W | |
| R721 | ERJ3GEYJ103V | Chip, 10k Ω 1/16W | |
| R722 | ERJ6GEYJ103 | Chip, 10k Ω 1/10W | |
| R723 | ERJ6GEYJ473 | Chip, 47k Ω 1/10W | |
| R724 | ERJ6GEYJ473 | Chip, 47k Ω 1/10W | |
| R725 | ERJ6GEYJ473 | Chip, 47k Ω 1/10W | |
| R726 | ERJ6GEYJ102 | Chip, 1k Ω 1/10W | |
| R727 | ERJ6GEYJ102 | Chip, 1k Ω 1/10W | |
| R728 | ERJ6GEYJ102 | Chip, 1k Ω 1/10W | |
| R729 | ERJ3GEYJ103V | Chip, 10k Ω 1/16W | |
| R730 | ERJ3GEYJ103V | Chip, 10k Ω 1/16W | |
| R731 | ERJ6GEYJ103 | Chip, 10k Ω 1/10W | |
| R732 | ERJ3GEYJ103V | Chip, 10k Ω 1/16W | |
| R733 | ERJ3GEYJ102V | Chip, 1k Ω 1/16W | |
| R734 | ERJ3GEYJ822V | Chip, 8.2k Ω 1/16W | |
| R735 | ERJ3GEYJ104V | Chip, 100k Ω 1/16W | |
| R736 | ERJ3GEYJ104V | Chip, 100k Ω 1/16W | |
| R737 | ERJ3GEYJ104V | Chip, 100k Ω 1/16W | |
| R738 | ERJ3GEYJ104V | Chip, 100k Ω 1/16W | |
| R739 | ERJ6GEYJ103 | Chip, 10k Ω 1/10W | |
| R740 | ERJ3GEYJ102V | Chip, 1k Ω 1/16W | |
| R741 | ERJ3GEYJ102V | Chip, 1k Ω 1/16W | |
| R742 | ERJ6GEYJ473 | Chip, 47k Ω 1/10W | |
| R743 | ERJ6GEYJ103 | Chip, 10k Ω 1/10W | |
| R744 | ERJ6GEYJ1R0 | Chip, 1.0 Ω 1/10W | |
| R745 | ERJ3GEYJ682V | Chip, 6.8k Ω 1/16W | |
| R746 | ERJ3GEYOR00V | Chip, 0 Ω 1/16W | |
| R747 | ERJ6GEYJ565 | Chip, 5.6k Ω 1/10W | |
| R748 | ERJ3GEYJ473V | Chip, 47k Ω 1/16W | |
| R749 | ERJ3GEYJ473V | Chip, 47k Ω 1/16W | |
| R750 | ERJ6GEYJ223 | Chip, 22k Ω 1/10W | |
| R751 | ERJ6GEYJ104 | Chip, 100k Ω 1/10W | |
| R752 | ERJ6GEYJ104 | Chip, 100k Ω 1/10W | |

| Ref. No. | Part No. | Part Name & Description | Remarks |
|----------|--------------|-------------------------|-------------------|
| 10 | MGCFA00029A | Upper Cover | |
| 11 | MGCFX00007A | Bracket, CD Deck | |
| 12 | YEFM031083 | Laser Seal | |
| 13 | MGCFX00012 | Spring | |
| 14 | MGCFF00002A | Heat Sink | A, C, D, E |
| 14 | MGCFF00004A | Heat Sink | B |
| 20 | MGCZF00004 | Side Plate (R) Ass'y | |
| 21 | YEFF011054 | IC Heat Sink | |
| 22 | MGCFF00003 | Guide | A, C, D, E |
| 23 | MGCFX00014 | Bracket, ANT | |
| 24 | MGCFX00009 | Bracket, Tape Deck (R) | |
| 25 | YEF011772 | Pad | |
| 26 | MGCFA00030B | Bottom Cover | |
| 27 | MGCFA00034A | Shield Case | |
| 28 | YEP0PT6802Z0 | PCB w/Compnent | RTL A, C, D, E |
| 28 | YEP0PT6802Y0 | PCB w/Compnent | RTL, B |
| 29 | MGCFS00017 | Felt Pad | B |
| 30 | MGCFC00013C | Escucheon Ass'y | A |
| 30 | MGCFC00020B | Escucheon Ass'y | B |
| 30 | MGCFC00023B | Escucheon Ass'y | C |
| 30 | MGCFC00027B | Escucheon Ass'y | D |
| 30 | MGCFC00030B | Escucheon Ass'y | E |
| 31 | MGCFE00004C | Knob Ass'y | A, C, D, E |
| 31 | MGCFE00084B | Knob Ass'y | B |
| 32 | YEFR07129A | Rubber Contact (R) | |
| 33 | YEFR07125A | Rubber Contact (L) | |
| 34 | MGCFX00004 | Plate | A |
| 35 | YEFX0213919 | Bracket, GND | |
| 36 | MGCFS00024 | Pad | |
| 38 | MGCFX00008 | Bracket, Tape Deck (F) | |
| 39 | YEP0PT8856Z0 | PCB w/Compnent | RTL, A |
| 39 | YEP0PT8856V0 | PCB w/Compnent | RTL B, C, D, E |
| | | | |
| 50 | YEJT03120 | Tapping Screw, | |
| 51 | YEJT03131 | Tapping Screw, | |
| 52 | YEJT03007 | Screw, M3x5mm | |
| 53 | XSB26+4FX | Screw, M2.6x4mm | |
| 54 | YEJS06017 | Screw, M3x8mm | |
| 55 | YEJS06093 | Screw, M3x6mm | |
| 56 | XTB2+6GFX | Tapping Screw, M2x6mm | |
| 57 | XTB3+8JFX | Tapping Screw, M3x8mm | |
| 58 | XTB3+6FFX | Tapping Screw, M3x6mm | |
| 59 | XTB3+5FFX | Screw, M3x5mm | |
| 60 | XTB3+8FFX | Tapping Screw, M3x8mm | |
| 61 | XYN26+C10FX | Screw, M2.6x10mm | |
| 62 | XSN5+16FX | Screw, M5x16mm | B |

12 EXPLODED VIEW (Unit)



13 CD CHANGER PARTS LIST

13.1. IC's and Transistors

SERVO BLOCK [E8586C]

| Ref. No. | Part No. | Part Name & Description | Remarks |
|----------|--------------|-------------------------|---------|
| IC101 | YEAMBA6354BF | IC | |
| IC201 | MN62783RPW | IC | |
| IC202 | C3ABMB000010 | IC | |
| IC301 | MN1873260AB4 | IC | |
| IC401 | YEAMBA6792FY | IC | |
| IC501 | YEAMPC358G2T | IC | |
| IC601 | YEAMBA5971FP | IC | |
| IC602 | C0JBAS0051 | IC | |
| IC603 | YEAMT4W53FUL | IC | |
| Q101 | 2SB766ATX | Transistor | |

[E2685A]

| Ref. No. | Part No. | Part Name & Description | Remarks |
|----------|-----------|-------------------------|---------|
| Q1 | PNZ14700R | IC | |
| Q2 | PNZ14700R | IC | |
| Q3 | PNZ14700R | IC | |

13.2. Diodes

SERVO BLOCK [E8586C]

| Ref. No. | Part No. | Part Name & Description | Remarks |
|----------|----------|-------------------------|---------|
| D301 | MA151WKT | Diode | |

[E2682]

| Ref. No. | Part No. | Part Name & Description | Remarks |
|----------|----------|-------------------------|---------|
| D1 | 0N1004 | LED | |

[E2684]

| Ref. No. | Part No. | Part Name & Description | Remarks |
|----------|----------|-------------------------|---------|
| D1 | LN01201C | LED | |
| D2 | LN01201C | LED | |
| D3 | LN01201C | LED | |

[E2685A]

| Ref. No. | Part No. | Part Name & Description | Remarks |
|----------|----------|-------------------------|---------|
| D1 | 0N1004 | LED | |

13.3. Capacitors

SERVO BLOCK [E8586C]

| Ref. No. | Part No. | Part Name & Description | Remarks |
|----------|--------------|-------------------------|---------|
| C100 | ECEV1CA470SP | Electrolytic, 47µF 16WV | |
| C101 | YECUS1C104KX | Ceramic, 0.1µF 16WV | |
| C102 | YECUS1C104KX | Ceramic, 0.1µF 16WV | |
| C103 | F3H0J1070005 | Tantalum, 100µF 6.3WV | |
| C104 | YECUS1C104KX | Ceramic, 0.1µF 16WV | |
| C105 | F3E0J475A001 | Ceramic, 4.7µF 6.3WV | |
| C106 | YECUS1E273KX | Ceramic, 0.027µF 25WV | |
| C107 | YECUS1H152KX | Ceramic, 0.0015µF 50WV | |
| C108 | YECUS1H472KX | Ceramic, 0.0047µF 50WV | |
| C109 | YECUS1H102KX | Ceramic, 0.001µF 50WV | |
| C110 | YECUS1H102KX | Ceramic, 0.001µF 50WV | |
| C111 | YECUS1C106MS | Tantalum, 10µF 16WV | |
| C112 | YECUS1C104KX | Ceramic, 0.1µF 16WV | |
| C113 | YECUS1C104KX | Ceramic, 0.1µF 16WV | |
| C114 | YECUS1C106MS | Tantalum, 10µF 16WV | |
| C115 | YECUS1H102KX | Ceramic, 0.001µF 50WV | |
| C116 | YECUS1H102KX | Ceramic, 0.001µF 50WV | |
| C118 | YECUS1H391JM | Ceramic, 390PF 50WV | |
| C120 | YECUS1H561JM | Ceramic, 560PF 50WV | |
| C122 | YECUS1C104KX | Ceramic, 0.1µF 16WV | |

| Ref. No. | Part No. | Part Name & Description | Remarks |
|----------|--------------|--------------------------|---------|
| C202 | YECUS1H123KX | Ceramic, 0.012µF 50WV | |
| C203 | YECUS1C334KX | Ceramic, 0.33µF 16WV | |
| C204 | YECUS1C104KX | Ceramic, 0.1µF 16WV | |
| C205 | YECUS1C106MS | Tantalum, 10µF 16WV | |
| C206 | ECEV0JA470SR | Electrolytic, 47µF 6.3WV | |
| C207 | YECUS1C104KX | Ceramic, 0.1µF 16WV | |
| C208 | YECUS1C104KX | Ceramic, 0.1µF 16WV | |
| C209 | YECUS1C106MS | Tantalum, 10µF 16WV | |
| C210 | YECUS1C104KX | Ceramic, 0.1µF 16WV | |
| C211 | YECUS1A105KX | Ceramic, 1µF 10WV | |
| C301 | YECUS1C104KX | Ceramic, 0.1µF 16WV | |
| C302 | YECUS1C106MS | Tantalum, 10µF 16WV | |
| C305 | YECUS1H103KX | Ceramic, 0.01µF 50WV | |
| C401 | YECUS1C104KX | Ceramic, 0.1µF 16WV | |
| C402 | ECEV1CA470SP | Electrolytic, 47µF 16WV | |
| C403 | YECUS1C104KX | Ceramic, 0.1µF 16WV | |
| C501 | YECUS1C104KX | Ceramic, 0.1µF 16WV | |
| C503 | YECUS1E273KX | Ceramic, 0.027µF 25WV | |
| C504 | YECUS1E393KX | Ceramic, 0.039µF 25WV | |
| C601 | YECUS1C104KX | Ceramic, 0.1µF 16WV | |
| C602 | ECEV1CA470SP | Electrolytic, 47µF 16WV | |
| C603 | YECUS1C104KX | Ceramic, 0.1µF 16WV | |
| C604 | YECUS1C104KX | Ceramic, 0.1µF 16WV | |
| C605 | YECUZ1H821KX | Ceramic, 820pF 50WV | |

13.4. Resistors

SERVO BLOCK [E8586C]

| Ref. No. | Part No. | Part Name & Description | Remarks |
|----------|-------------|-------------------------|---------|
| R100 | ERJ6GEYJ334 | Chip, 330kΩ 1/10W | |
| R101 | ERJ6GEYJ101 | Chip, 100Ω 1/10W | |
| R102 | ERJ12YJ330H | Chip, 33Ω 1/2W | |
| R103 | ERJ6GEYJ683 | Chip, 68kΩ 1/10W | |
| R104 | ERJ6GEYJ683 | Chip, 68kΩ 1/10W | |
| R105 | ERJ6GEYJ333 | Chip, 33kΩ 1/10W | |
| R106 | ERJ6GEYJ184 | Chip, 180kΩ 1/10W | |
| R107 | ERJ6GEYJ184 | Chip, 180kΩ 1/10W | |
| R108 | ERJ6GEYJ823 | Chip, 82kΩ 1/10W | |
| R109 | ERJ6GEYJ334 | Chip, 330kΩ 1/10W | |
| R110 | ERJ6GEYJ102 | Chip, 1kΩ 1/10W | |
| R111 | ERJ6GEYJ102 | Chip, 1kΩ 1/10W | |
| R112 | ERJ6GEYJ393 | Chip, 39kΩ 1/10W | |
| R113 | ERJ6GEYJ333 | Chip, 33kΩ 1/10W | |
| R201 | ERJ6GEYJ124 | Chip, 120kΩ 1/10W | |
| R202 | ERJ6GEYJ473 | Chip, 47kΩ 1/10W | |
| R203 | ERJ6GEYJ334 | Chip, 330kΩ 1/10W | |
| R204 | ERJ6GEYJ473 | Chip, 47kΩ 1/10W | |
| R205 | ERJ6GEYJ331 | Chip, 330Ω 1/10W | |
| R206 | ERJ6GEYJ470 | Chip, 47Ω 1/10W | |
| R207 | ERJ6GEYJ472 | Chip, 4.7kΩ 1/10W | |
| R208 | ERJ6GEYJ472 | Chip, 4.7kΩ 1/10W | |
| R209 | ERJ6GEYJ472 | Chip, 4.7kΩ 1/10W | |
| R210 | ERJ6GEYJ472 | Chip, 4.7kΩ 1/10W | |
| R211 | ERJ6GEYJ472 | Chip, 4.7kΩ 1/10W | |
| R212 | ERJ6GEYJ472 | Chip, 4.7kΩ 1/10W | |
| R213 | ERJ6GEYJ472 | Chip, 4.7kΩ 1/10W | |
| R301 | ERJ6GEYJ472 | Chip, 4.7kΩ 1/10W | |
| R302 | ERJ6GEYJ472 | Chip, 4.7kΩ 1/10W | |
| R303 | ERJ6GEYJ472 | Chip, 4.7kΩ 1/10W | |
| R304 | ERJ6GEYJ472 | Chip, 4.7kΩ 1/10W | |
| R305 | ERJ6GEYJ563 | Chip, 56kΩ 1/10W | |
| R306 | ERJ6GEYJ563 | Chip, 56kΩ 1/10W | |
| R307 | ERJ6GEYJ473 | Chip, 47kΩ 1/10W | |
| R308 | ERJ6GEYJ472 | Chip, 4.7kΩ 1/10W | |
| R309 | ERJ6GEYJ472 | Chip, 4.7kΩ 1/10W | |
| R310 | ERJ6GEYJ472 | Chip, 4.7kΩ 1/10W | |
| R311 | ERJ6GEYJ472 | Chip, 4.7kΩ 1/10W | |
| R312 | ERJ6GEYJ473 | Chip, 47kΩ 1/10W | |
| R313 | ERJ6GEYJ473 | Chip, 47kΩ 1/10W | |
| R314 | ERJ6GEYJ823 | Chip, 82kΩ 1/10W | |
| R315 | ERJ6GEYJ823 | Chip, 82kΩ 1/10W | |
| R316 | ERJ6GEYJ823 | Chip, 82kΩ 1/10W | |

| Ref. No. | Part No. | Part Name & Description | Remarks |
|----------|-------------|---------------------------|---------|
| R317 | ERJ6GEYJ471 | Chip, 470 Ω 1/10W | |
| R318 | ERJ6GEYJ471 | Chip, 470 Ω 1/10W | |
| R319 | ERJ6GEYJ471 | Chip, 470 Ω 1/10W | |
| R320 | ERJ6GEYJ471 | Chip, 470 Ω 1/10W | |
| R321 | ERJ6GEYJ471 | Chip, 470 Ω 1/10W | |
| R322 | ERJ6GEYJ473 | Chip, 47k Ω 1/10W | |
| R324 | ERJ6GEYJ473 | Chip, 47k Ω 1/10W | |
| R325 | ERJ6GEYJ473 | Chip, 47k Ω 1/10W | |
| R326 | ERJ6GEYJ473 | Chip, 47k Ω 1/10W | |
| R327 | ERJ6GEYJ473 | Chip, 47k Ω 1/10W | |
| R328 | ERJ6GEYJ473 | Chip, 47k Ω 1/10W | |
| R401 | ERJ6GEYJ222 | Chip, 2.2k Ω 1/10W | |
| R402 | ERJ6GEYJ222 | Chip, 2.2k Ω 1/10W | |
| R501 | ERJ6GEYJ101 | Chip, 100 Ω 1/10W | |
| R502 | ERJ6GEYJ103 | Chip, 10k Ω 1/10W | |
| R503 | ERJ6GEYJ103 | Chip, 10k Ω 1/10W | |
| R504 | ERJ6GEYJ222 | Chip, 2.2k Ω 1/10W | |
| R505 | ERJ6GEYJ103 | Chip, 10k Ω 1/10W | |
| R601 | ERJ6GEYJ123 | Chip, 12k Ω 1/10W | |
| R602 | ERJ6GEYJ103 | Chip, 10k Ω 1/10W | |
| R603 | ERJ6GEYJ273 | Chip, 27k Ω 1/10W | |
| R604 | ERJ6GEYJ103 | Chip, 10k Ω 1/10W | |
| R605 | ERJ6GEYJ183 | Chip, 18k Ω 1/10W | |
| R606 | ERJ6GEYJ393 | Chip, 39k Ω 1/10W | |
| R607 | ERJ6GEYJ103 | Chip, 10k Ω 1/10W | |
| R608 | ERJ6GEYJ472 | Chip, 4.7k Ω 1/10W | |
| R609 | ERJ6GEYJ472 | Chip, 4.7k Ω 1/10W | |

13.5. Connectors

SERVO BLOCK [E8586C]

| Ref. No. | Part No. | Part Name & Description | Remarks |
|----------|------------|-------------------------|---------|
| CN1 | YEA5220715 | Connector, 15P | |
| CN101 | YEA5220715 | Connector, 15P | |
| CN301 | YEA5227112 | Connector, 12P | |
| CN401 | YEA5220706 | Connector, 6P | |
| CN402 | YEA5326102 | Connector, 2P | |
| CN501 | YEA5227110 | Connector, 10P | |

[E2685A]

| Ref. No. | Part No. | Part Name & Description | Remarks |
|----------|------------|-------------------------|---------|
| JD1 | YEA5227106 | Connector, 6P | |

13.6. Electric Parts

SWITCHES

| Ref. No. | Part No. | Part Name & Description | Remarks |
|----------|-----------|-------------------------|---------|
| SW1 | ESE102MH4 | Switch | |
| SW1 | ESE102MH4 | Switch | |
| SW10 | ESE102MH4 | Switch | |
| SW11 | ESE102MH4 | Switch | |
| SW12 | ESE102MH4 | Switch | |
| SW13 | ESE102MH4 | Switch | |

CRYSTAL

| Ref. No. | Part No. | Part Name & Description | Remarks |
|----------|--------------|-------------------------|---------|
| XL301 | YEXLSTCC737T | Crystal OSC | |

CERAMIC FILTERS

| Ref. No. | Part No. | Part Name & Description | Remarks |
|----------|--------------|-------------------------|---------|
| XL201 | H2D169500001 | Ceramic Filter | |

COIL

| Ref. No. | Part No. | Part Name & Description | Remarks |
|----------|--------------|-------------------------|---------|
| L101 | YELTLM41P750 | Coil | |

13.7. Mechanical parts

MISCELLANEOUS

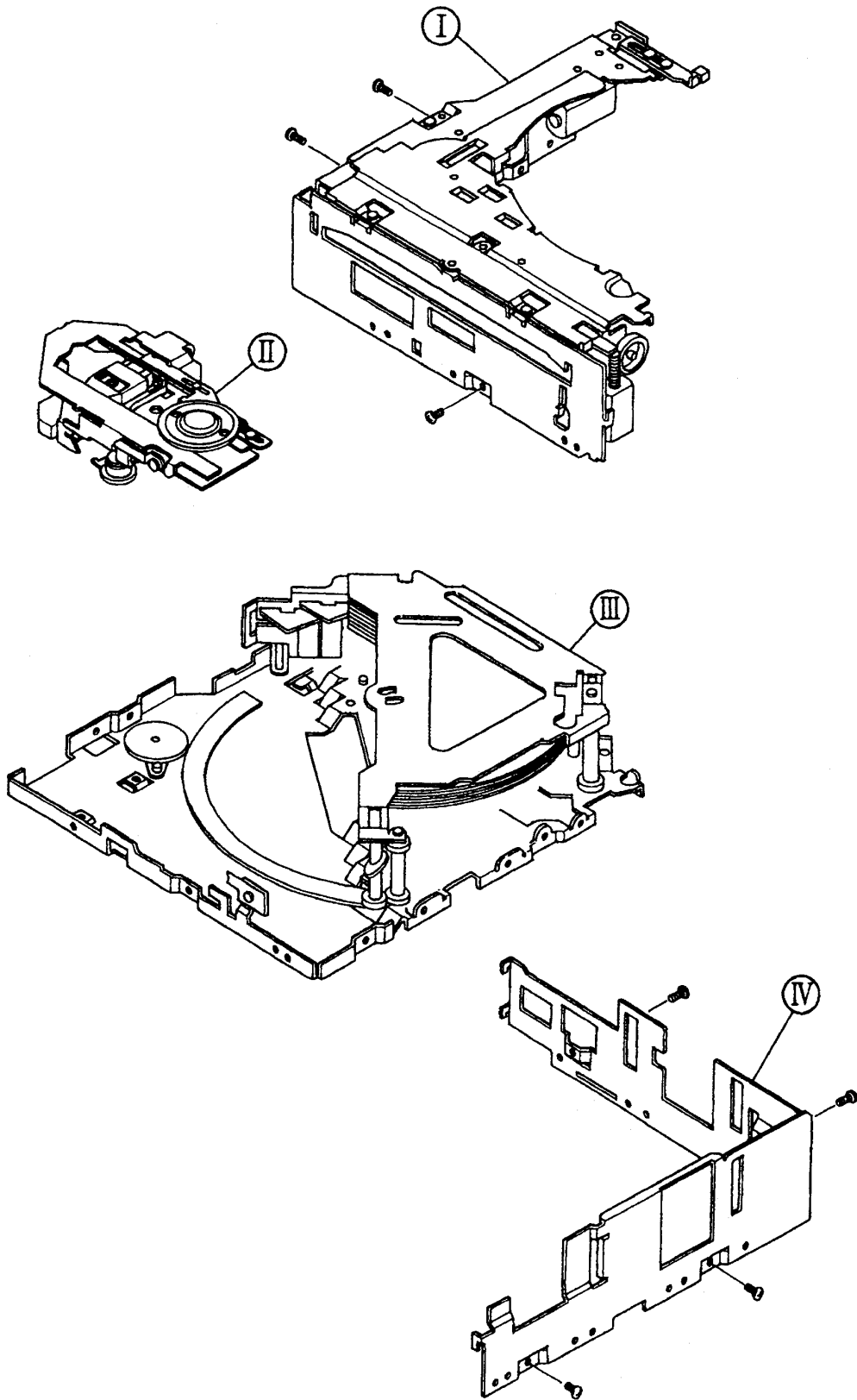
| Ref. No. | Part No. | Part Name & Description | Remarks |
|----------|--------------|-----------------------------------|----------------|
| 3 | YEAR012348A | Cord w/Connector | (4-A) |
| 4 | YEAP2683 | Suspension FPC | (1-E) |
| 5 | YEATSD00405 | Terminal | (1-F) |
| 6 | YEFA011711G | Upper Chassis Ass'y | (3-B) |
| 7 | YEFA011713A | Side Chassis (R) | (1-C) |
| 8 | YEFA011714D | Side Chassis (L) Ass'y | (4-A) |
| 9 | YEFA011716 | Suspension Chassis Ass'y | (1-D) |
| 10 | YEFA011718A | Suspension Chassis (Bottom) Ass'y | (1-D) |
| 11 | YEFA011720B | Swing Chassis Ass'y | (3-D) |
| 12 | YEFA011722A | Stocker Plate Ass'y | (4-F) |
| 13 | YEFA011858B | Main Chassis Ass'y | (3-E) |
| 14 | YEFS04688 | Damper | (4-D) |
| 15 | YEFS04691 | Damper | (4-D) |
| 16 | YEFV011897 | Insulator | (2-F) |
| 17 | YEFW04158 | Bearing | (3-D) |
| 18 | YEFW04159A | Roller Shaft Holder(L) | (2-B) |
| 19 | YEFW04161A | Feed Screw Housing | (1-E) |
| 20 | YEFW04167 | Disc Collar | (2-B) |
| 21 | YEFW05389 | Stocker Cam Ring | (4-E) (3-F) |
| 22 | YEFW062351 | Disc Roller Shaft | (2-A) |
| 23 | YEFW062461B | Roller Shaft Ass'y | (2-B) |
| 24 | YEFX003872 | Elevator Gear (1) | (3-F) |
| 25 | YEFX003873 | Elevator Gear (2) | (2-F) (3-F) |
| 26 | YEFX003874 | Elevator Gear (3) | (3-E) |
| 27 | YEFX003875 | Elevator Gear (4) | (3-E) (2-F) |
| 28 | YEFX003877 | Traverse Gear (2) | (2-D) |
| 29 | YEFX003878A | Traverse Gear (3) | (2-D) |
| 30 | YEFX003879 | Traverse Gear (4) | (1-D) |
| 31 | YEFX003882A | Stocker Cam Gear (1) | (3-F) |
| 32 | YEFX003883B | Stocker Cam Gear (2) | (3-E) (2-F) |
| 33 | YEFX003884 | Stocker Cam Gear (3) | (3-E) (2-F) |
| 34 | YEFX0031007 | Disc Hold Gear | (3-F) |
| 35 | YEFX0031057 | Load Gear | (3-B) |
| 36 | YEFX003891A | Push Gear (1) | (3-B) |
| 37 | YEFX0031003 | Push Gear (2) | (3-B) |
| 38 | YEFX003894 | Horizontal Cam Gear (1) | (3-D) |
| 39 | YEFX003895A | Horizontal Cam Gear (2) | (2-E) |
| 40 | YEFX003896 | Horizontal Gear (1) | (3-E) |
| 41 | YEFX003897A | Horizontal Gear (2) | (3-E) |
| 42 | YEFX003898 | Horizontal Gear (3) | (3-E) |
| 43 | YEFX003899B | Horizontal Gear (4) | (3-D) |
| 44 | YEFX003929 | Horizontal Cam Gear (3) | (3-E) |
| 45 | YEFX003931 | Horizontal Gear (5) | (3-D) (2-D) |
| 46 | YEFX003932A | Push Cam Gear | (3-B) |
| 47 | YEFX0052269 | FPC Hold Spring | (2-D) |
| 48 | YEFX0052272 | Guide Spring(B) | (1-B) |
| 49 | YEFX0052274B | Suspension Lock Spring | (3-D) |
| 50 | YEFX0052275A | Swing Spring | (3-D) |
| 51 | YEFX0052276A | Stocker Spring (1) | (4-D) (4-E) |
| 52 | YEFX0052277 | Stocker Spring (2) | (4-D) (4-E) |
| 53 | YEFX0052278 | Thrust Spring | (1-E) |
| 54 | YEFX0052279 | Sencer Lever Spring | (1-E) (1-F) |
| 55 | YEFX0052280 | Damper Spring | (4-D) |
| 56 | YEFX0052281A | Balance Spring (1) | (3-D) |
| 57 | YEFX0052284 | Push Spring | (3-A) |
| 58 | YEFX0052285A | Spring | (4-B) |
| 59 | YEFX0052499 | Roller Hold Spring (L) | (2-B) |
| 60 | YEFX0052527 | Roller Hold Spring (R) | (2-B) |
| 61 | YEFX0052289A | Push Lever Spring | (4-E) |
| 62 | YEFX0052290A | Feeder Spring | (4-B) |
| 63 | YEFX0052291B | Push Plate Spring | (3-B) |
| 64 | YEFX0052292A | Change Spring | (1-D) |

| Ref. No. | Part No. | Part Name & Description | Remarks |
|----------|--------------|------------------------------|----------------|
| 65 | YEFX0052335 | Guide Spring(F) | (2-B) |
| 66 | YEFX0052366 | Stocker Thrust Spring | (4-E) (3-F) |
| 67 | YEFX0052368 | Damper Spring (R) | (4-D) |
| 68 | YEFX0052369A | Damper Spring (L) | (4-D) |
| 69 | YEFX0052445 | Lock Spring | (3-A) |
| 70 | YEFX018552 | Traverse Motor Bracket Ass'y | (2-E) |
| 71 | YEFX018553D | Guide(F) Bracket | (3-E) |
| 72 | YEFX018595 | Guide(B) | (3-D) |
| 73 | YEFX018556A | Bearing Bracket | (3-D) |
| 74 | YEFX018596 | Stopper Plate | (1-D) |
| 75 | YEFX018598 | Gear Bracket Ass'y | (2-D) |
| 76 | YEFX018600 | Elevator Motor Bracket | (3-F) |
| 77 | YEFX0461903A | Guide Lever (B) Ass'y | (3-D) |
| 78 | YEFX0461905A | Guide Lever (F) Ass'y | (3-E) |
| 79 | YEFX0461914B | Senser Cover | (1-F) |
| 80 | YEFX0461917 | Stocker Rack | (4-F) |
| 81 | YEFX0461918 | Senser Lever(B) | (2-E) |
| 82 | YEFX0461919A | Sneser Lever(FA) | (1-F) |
| 83 | YEFX0461922D | Feeder Plate | (2-B) |
| 84 | YEFX046211B | Push Lever | (3-A) |
| 85 | YEFX0461926A | Rack Lever | (3-F) |
| 86 | YEFX0461931A | Push Lever | (4-E) |
| 87 | YEFX0462062B | Escape Lever(1) | (3-A) |
| 88 | YEFX219129 | Guide (F) | (2-B) |
| 90 | YEFX0462002C | Guide Cam Plate(F) | (1-B) |
| 91 | YEFX0462003B | Guide Cam (B) Plate Ass'y | (1-B) |
| 92 | YEFX0462026 | Lever Guide Plate Ass'y | (2-D) |
| 93 | YEFX02342 | Felt | (4-A) |
| 94 | YEFX0462029 | Feeder Guide Plate Ass'y | (2-B) |
| 95 | YEFX206135C | Guide(BL) | (1-B) |
| 96 | YEFX206136D | Guide(BU) | (1-B) |
| 97 | YEFX206137A | Guide(FL) | (2-B) |
| 98 | YEFX206138C | Guide(FU) | (2-B) |
| 99 | YEFX206139E | Disc Guide | (2-A) |
| 100 | YEFX206140 | Traverse Guide | (1-D) |
| 101 | YEFX206141A | FPC Guide | (1-D) |
| 102 | YEFX206143 | Disc Guide(S) | (2-D) |
| 103 | YEFX206144 | Disc Guide(U) | (3-B) |
| 104 | YEFX218296 | Disc Roller | (2-A) |
| 105 | YEFX218299 | Disc Roller | (2-B) |
| 106 | YEFX219124A | Guide (B) Base Ass'y | (1-B) |
| 107 | YEFX219126D | Guide Base (F) Ass'y | (2-B) |
| 108 | YEFX233504A | Stocker Tray Housing | (4-D) |
| 109 | YEFX233521 | Disc Holder(L) | (3-F) |
| 110 | YEFX233506 | Disc Holder(U) | (4-E) |
| 111 | YEFX234192 | Elevator Cam | (2-E) |
| 112 | YEFX249486 | Feeder Arm Ass'y | (1-A) |
| 113 | YEFX9991900A | Suspension Balancer | (1-D) |
| 114 | YEFX9992237 | Stocker Tray | (4-D) |
| 115 | YEFX9991903A | Feed Screw Guide | (1-E) |
| 120 | YEJT03220 | Feed Screw Ass'y | (1-D) |
| 121 | YEP0FX3384 | Optical Pick-up Ass'y | (1-E) |
| 122 | YEP0FX3633 | Spindle Motor Ass'y | (1-E) |
| 123 | YEP0FX3661S | Horizontal Motor Ass'y | (4-A) |
| 124 | YEP0FX3660S | Vertical Motor Ass'y | (3-F) |
| 125 | YEP0FX3662S | Loading Motor Ass'y | (3-C) |
| 126 | YEP0FX3663S | Traverse Motor Ass'y | (2-E) |
| 134 | YEFX218308 | Roller | (1-A) |
| 135 | YEFX0031053 | Load Gear | (2-B) |
| 136 | YEFX0031054 | Load Gear | (2-C) |
| 137 | YEFX014040 | Retaining Ring, 2mm | (2-C) |
| 138 | YEP0PT8586A2 | PCB w/Component | RTL |
| 139 | YEP0PT2682A0 | PCB w/Component | RTL |
| 140 | YEP0PT2684A0 | PCB w/Component | RTL |
| 141 | YEP0PT2685A0 | PCB w/Component | RTL |

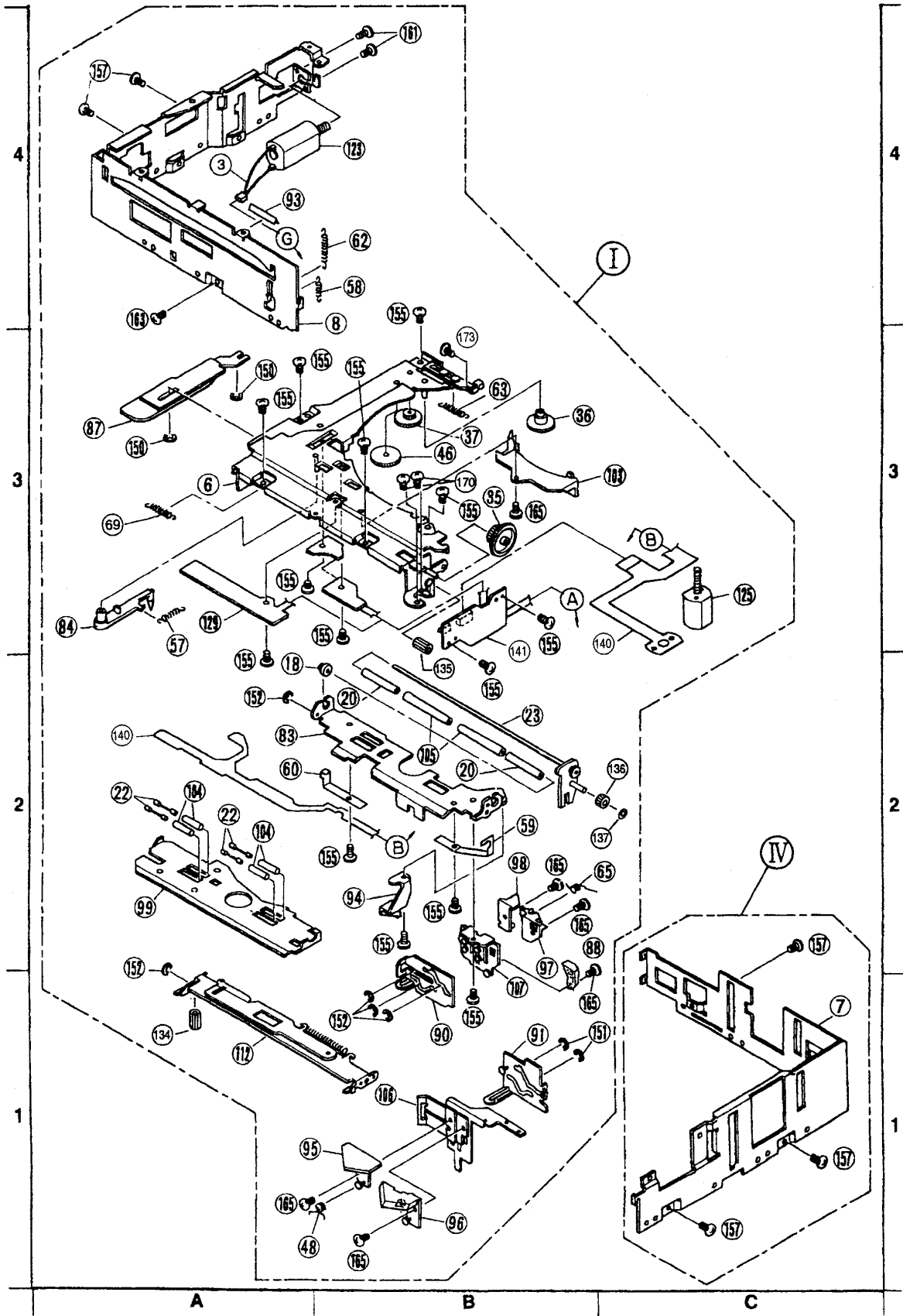
| Ref. No. | Part No. | Part Name & Description | Remarks |
|----------|-------------|--------------------------|---------|
| 154 | YEJS06097A | Screw, 2mm * 2.5mm | |
| 155 | YEJS06173 | Screw | |
| 156 | YEJS06220 | Screw | |
| 157 | YEJT03216 | Tapping Screw | |
| 158 | XQN14+C18FX | Screw | |
| 159 | XQN17+A2FX | Screw | |
| 160 | XQN2+A2FX | Screw | |
| 161 | XQN2+C25FX | Screw | |
| 162 | XSB2+3FX | Screw, 2mm * 3mm | |
| 163 | XSB26+3FX | Screw, 2.6mm * 3mm | |
| 164 | XYN2+C3FX | Screw, 2mm * 3mm | |
| 165 | XYN2+C4FX | Screw, 2mm * 4mm | |
| 166 | XSB2+4FX | Screw, 2mm * 4mm | |
| 167 | XYN2+J5FX | Screw, 2mm * 5mm | |
| 168 | XYN2+C6FX | Screw, 2mm * 6mm | |
| 169 | XYN2+J8FX | Screw, 2mm * 8mm | |
| 170 | XQN2+C2FX | Screw, 2mm * 2mm | |
| 171 | YEJT03129 | Tapping Screw, 2mm * 4mm | |
| 173 | YEJS06244 | Screw | |
| 174 | YEJS06242 | Screw | |

| Ref. No. | Part No. | Part Name & Description | Remarks |
|----------|------------|-------------------------|---------|
| 150 | XUC2V | Retaining Ring, 2mm | |
| 151 | YEJE01044 | Retaining Ring | |
| 152 | XUC15V | Retaining Ring, 1.5mm | |
| 153 | YEFX014047 | Retaining Ring | |

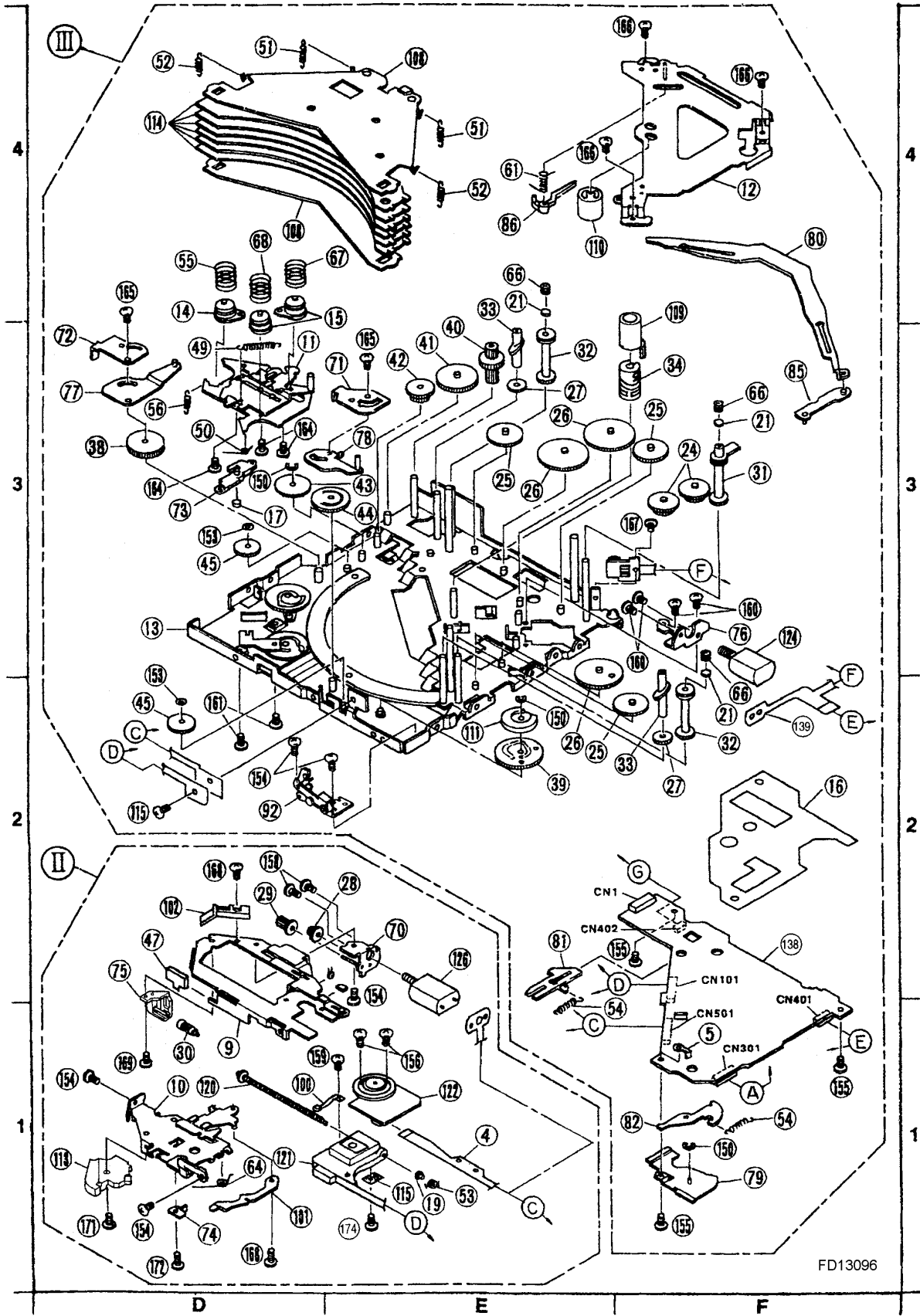
14 EXPLODED VIEW (CD Deck-1)



15 EXPLODED VIEW (CD Deck-2)



16 EXPLODED VIEW (CD Deck-3)

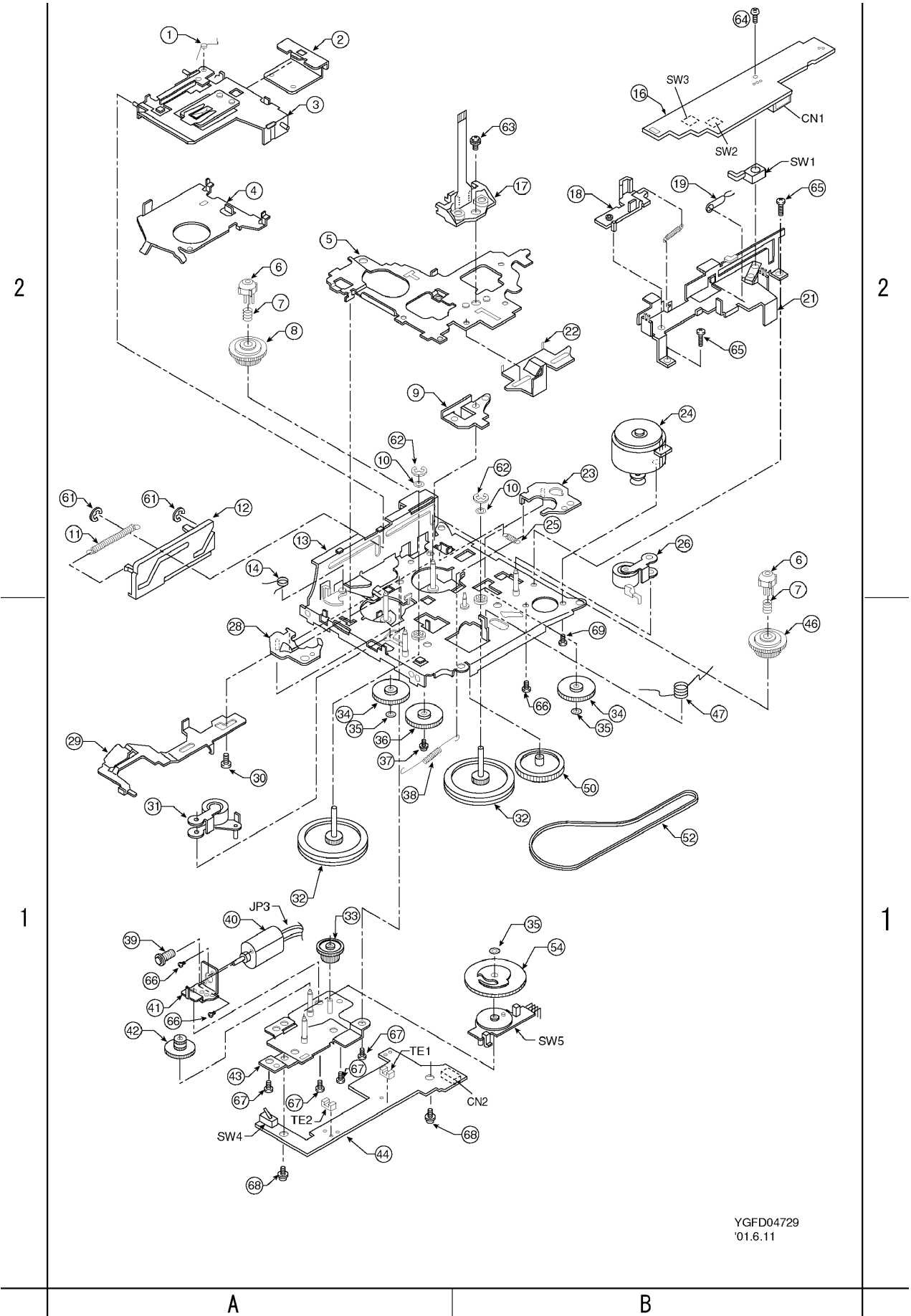


17 TAPE PLAYER PARTS

| Ref. No. | Part No. | Part Name & Description | Remarks |
|--------------------------|--------------|----------------------------|---------|
| [E8927A] Tape Reel Block | | | |
| RESISTORS | | | |
| J1 | ERJ8GEY0R00V | Chip, 0 Ω 1/8W | |
| J2 | ERJ8GEY0R00V | Chip, 0 Ω 1/8W | |
| J3 | ERJ8GEY0R00V | Chip, 0 Ω 1/8W | |
| J4 | ERJ8GEY0R00V | Chip, 0 Ω 1/8W | |
| J5 | ERJ8GEY0R00V | Chip, 0 Ω 1/8W | |
| J6 | ERJ8GEY0R00V | Chip, 0 Ω 1/8W | |
| J7 | ERJ8GEY0R00V | Chip, 0 Ω 1/8W | |
| J8 | ERJ8GEY0R00V | Chip, 0 Ω 1/8W | |
| R1 | ERJ8GEYJ683V | Chip, 68k Ω 1/8W | |
| R2 | ERJ8GEYJ683V | Chip, 68k Ω 1/8W | |
| R3 | ERJ8GEYJ472V | Chip, 4.7k Ω 1/8W | |
| R4 | ERJ8GEYJ472V | Chip, 4.7k Ω 1/8W | |
| R5 | ERJ8GEYJ472V | Chip, 4.7k Ω 1/8W | |
| R6 | ERJ8GEYJ472V | Chip, 4.7k Ω 1/8W | |
| R7 | ERJ8GEYJ821V | Chip, 820 Ω 1/8W | |
| R8 | ERJ8GEYJ821V | Chip, 820 Ω 1/8W | |
| CONNECTOR | | | |
| CN2 | YEAE012406 | Connector, 10P | |
| SWITCHES | | | |
| SW4 | KOF111B00047 | Switch | |
| SW5 | KOG131E00001 | Rotary Switch | |
| [E8928] SW Block | | | |
| DIODE | | | |
| D1 | BOEANM000002 | Diode | |
| CAPACITOR | | | |
| C1 | F1K1E334A022 | Ceramic, 0.33 μ F 25WV | |
| RESISTOR | | | |
| R2 | ERDS2TJ472 | Carbon, 4.7k Ω 1/4W | |
| CONNECTOR | | | |
| CN1 | YEAE012405 | Connector, 7P | |
| SWITCHES | | | |
| SW2 | YEAS07174 | Switch | |
| SW3 | YEAS08042 | Switch | |
| Mechanical Parts | | | |
| MISCELLANEOUS | | | |
| 1 | YGFX0052472 | Lock Plate Spring | |
| 2 | YGFX0052454 | Spring | |
| 3 | YGFX0462100 | Cassette Holder (U) Ass'y | |
| 4 | YGFX0462104 | Cassette Holder(L) | |
| 5 | YGFA011830 | Head Chassis Ass'y | |
| 6 | YGFX234194 | Cam | |
| 7 | YGFX0052427 | Back Tension Spring | |
| 8 | YGFX209271 | Reel (R) Ass'y | |
| 9 | YGFX0052471 | Holding Spring | |
| 10 | YGGW04131 | Washer | |
| 11 | YGFX0052475 | Lack Plate Spring | |
| 12 | YGFX0031035 | Lack Plate | |
| 13 | YGFA011827 | Main Chassis Ass'y | |
| 14 | YGFX0052444 | EQ Lever Spring | |
| 16 | YGPOPT8928A0 | SW P.C.B. Ass'y | |
| 17 | YGP9FZ2993 | Head Ass'y | |

| Ref. No. | Part No. | Part Name & Description | Remarks |
|----------|--------------|----------------------------|---------|
| 18 | YGFX0462105 | Lever | |
| 19 | YGFX0052478 | Vibration-proof Spring | |
| 20 | YGFX0052477 | Spring | |
| 21 | YGFX239470 | Cassette Guid Plate | |
| 22 | YGFX0462097 | PRO Change Plate | |
| 23 | YGFX0031031 | Idler Gear Plate (F) Ass'y | |
| 24 | YGPOFX3845 | Main Motor Ass'y | |
| 25 | YGFX0052474 | Lack Return Spring | |
| 26 | YGFX218305 | Pinch Roller (F) Ass'y | |
| 28 | YGFX0031033 | Idler Gear Plate (R) Ass'y | |
| 29 | YGFX0462102 | Lack Return Link | |
| 30 | YGFW062600 | Lack Return Link Shaft | |
| 31 | YGFX218306 | Pinch Roller (R) Ass'y | |
| 32 | YGFX213213 | Flywheel Ass'y | |
| 33 | YGFX0031001 | Drive Gear (2) | |
| 34 | YGFX0031004A | Lack Return Gear | |
| 35 | YGFX014075 | Lock Ling | |
| 36 | YGFX003970 | Gear | |
| 37 | YGJT03250 | Gear Shaft | |
| 38 | YGFX0052446 | Idler Gear Plate Spring | |
| 39 | YGFX0031030 | Worm Gear | |
| 40 | YGPOFX3846 | Loading Motor Ass'y | |
| 41 | YGFX030102 | Worm Gear Stopper | |
| 42 | YGFX0031026 | Drive Gear (3) | |
| 43 | YGFA011851 | Drive Chassis Ass'y | |
| 44 | YGPOPT8927A0 | Reel P.C.B. Ass'y | |
| 46 | YGFX209270 | Reel (F) Ass'y | |
| 47 | YGFX0052473 | Pinch Roller Spring | |
| 50 | YGFX003971 | PRO Change Gear | |
| 52 | YEFR03083 | Belt | |
| 54 | YGFX0031029 | Drive Gear | |
| 61 | YEJE01004 | E-Ring | |
| 62 | YEJE01036 | E-Ring | |
| 63 | YGFW062546 | Screw | |
| 64 | XYN2+C8FX | Screw, 2 x 8mm | |
| 65 | YEJT03167 | Screw, | |
| 66 | YEJS06097A | Screw, 2 x 2.5mm | |
| 67 | YGJT03271 | Screw, | |

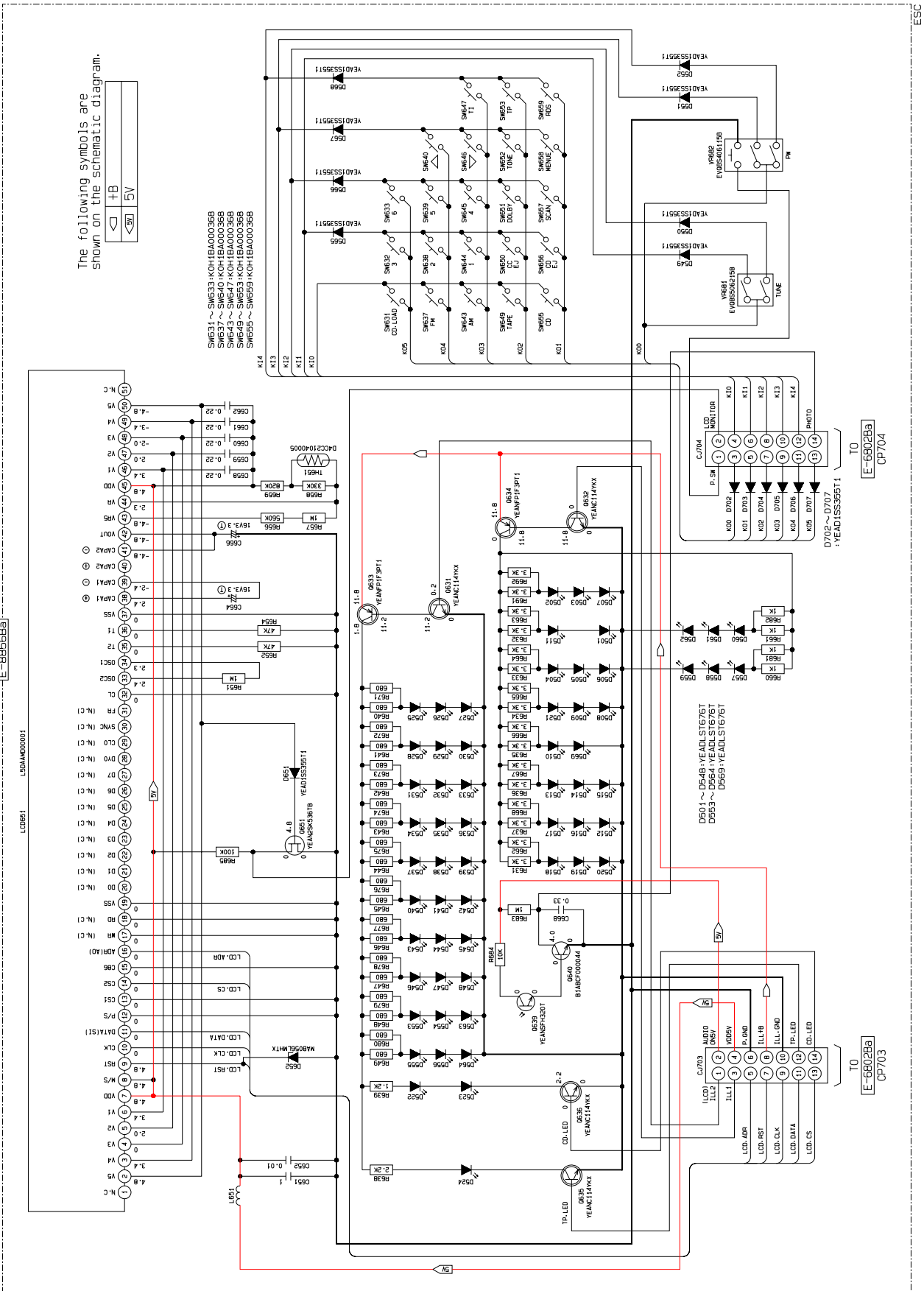
18 EXPLODED VIEW (Tape Deck)



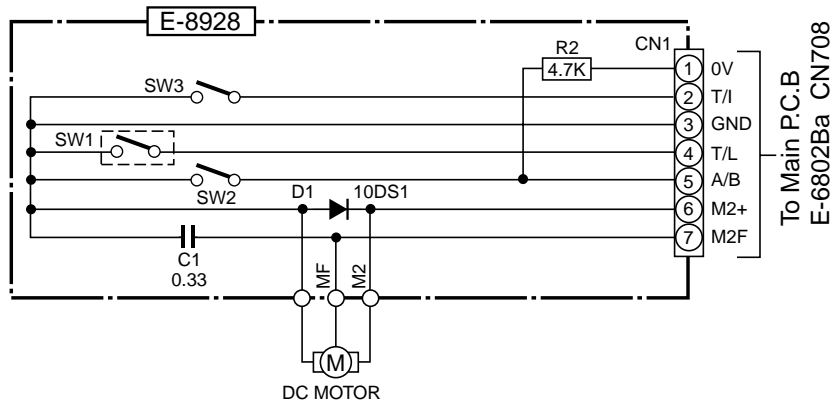
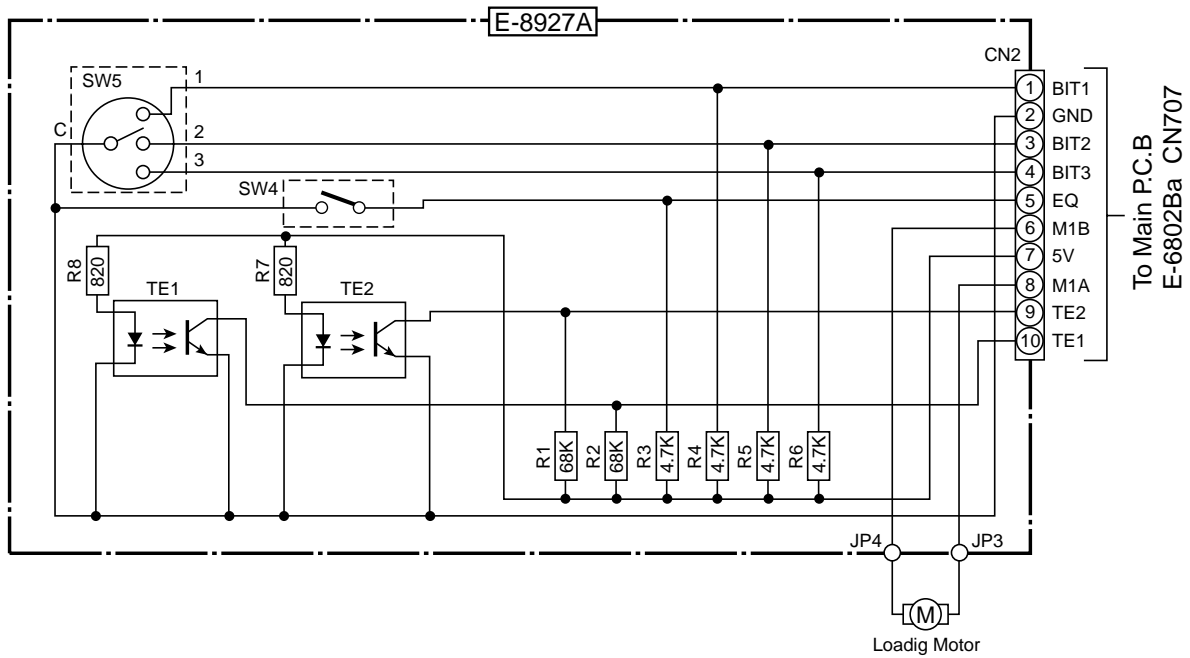
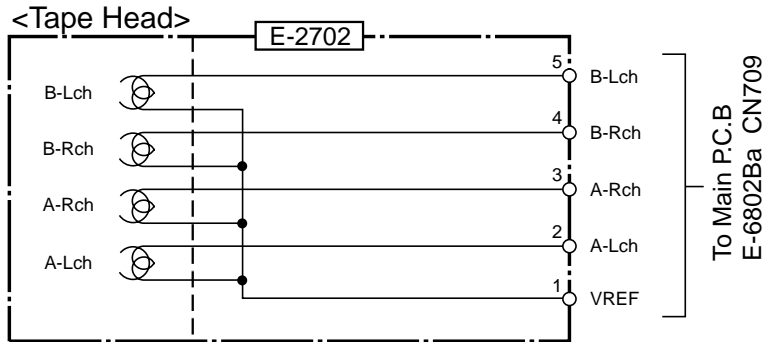
YGFD04729
'01.6.11

20 SCHEMATIC DIAGRAM -1

20.1. Display Block

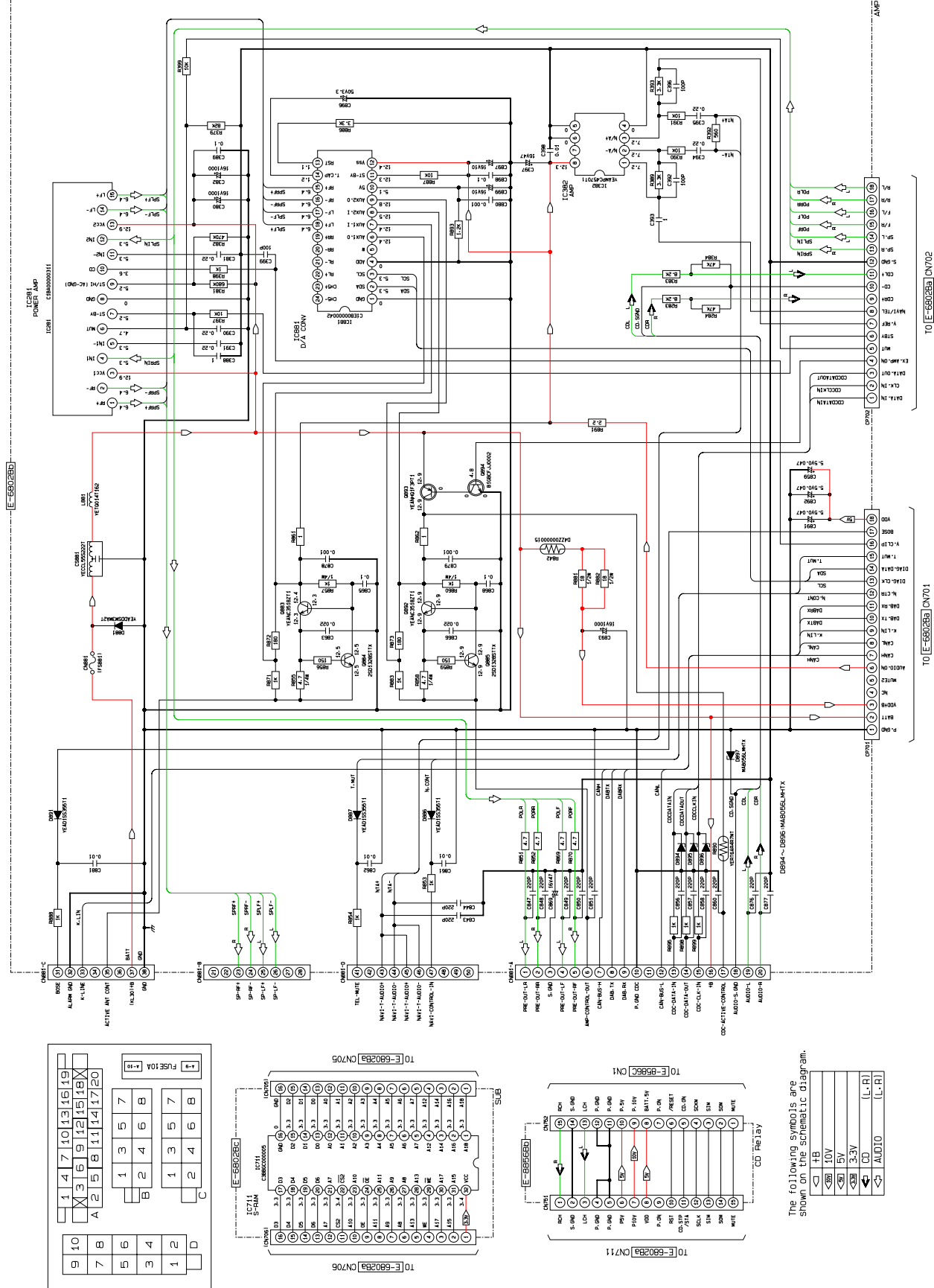


20.2. Tape Block



21 SCHEMATIC DIAGRAM -2

21.1. AMP / Memory / Relay Block



21.4. CD Servo Block

