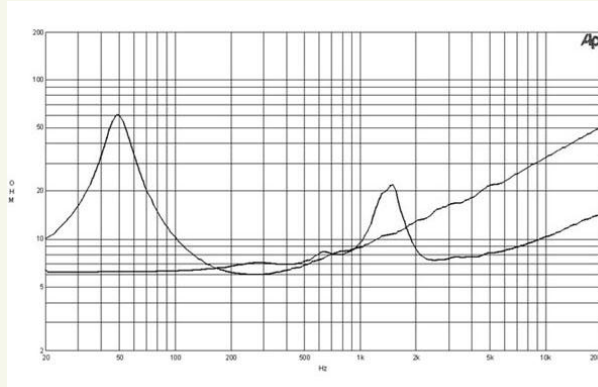
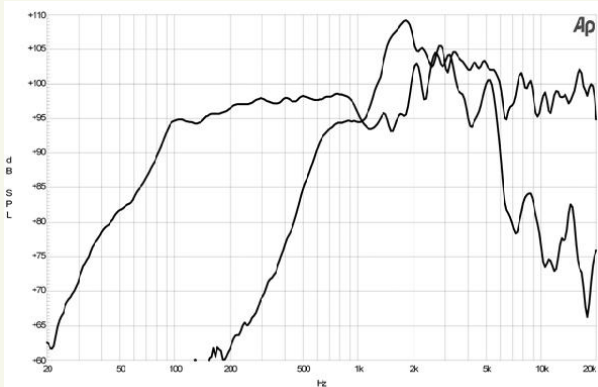




12CXT | Coaxials

400 W continuous program power capacity
 90° nominal coverage
 50 – 20000 Hz response
 98 dB sensitivity
 XO-2 dedicated crossover network



LF Drivers | Coaxials | HF Drivers | Horns

Specifications

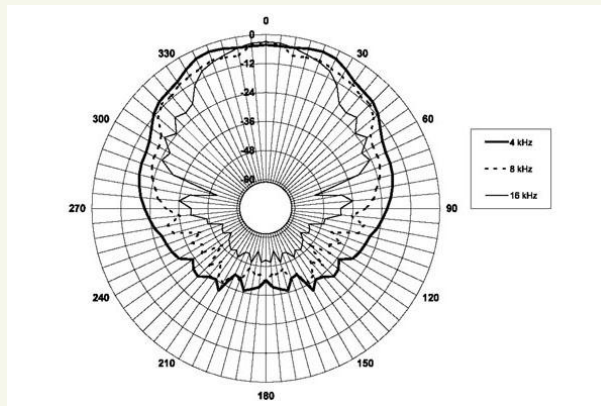
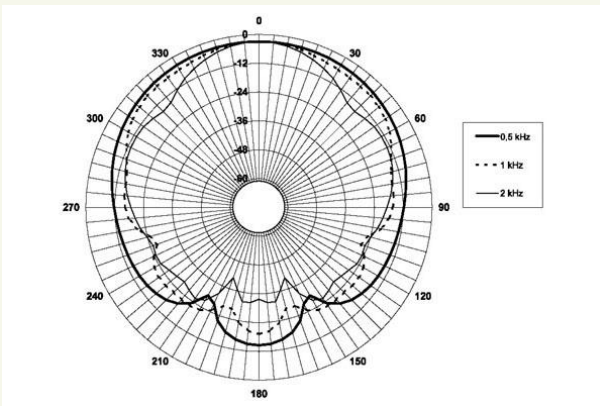
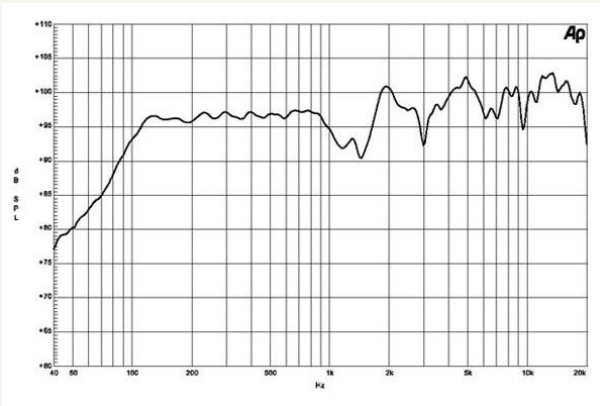
Nominal Diameter	320 mm (12 in)
Nominal Impedance	8 ohm
Minimum Impedance	6 ohm (LF)
	7.3 ohm (HF)
Frequency Range	50 - 20000 Hz
Dispersion Angle	90°
LF Unit	
Sensitivity (1W/1m)	98 dB
Nominal Power Handling	200 W
Continuous Power Handling	400 W
Voice Coil Diameter	51 mm (2 in)
Winding Material	Copper
HF Unit	
Sensitivity (1W/1m)	102 dB
Nominal Power Handling	25 W
Continuous Power Handling	50 W
Voice Coil Diameter	36 mm (1.4 in)
Winding Material	Aluminium
Diaphragm Material	Mylar
Recom. Crossover	2.2 kHz

Parameters

Fs	49 Hz
Re	5.3 ohm
Qes	0.35
Qms	3.9
Qts	0.32
Vas	91 dm3 (3.2 ft3)
Sd	522 cm2 (80.9 in2)
Eta Zero	3.1 %
Xmax	+/- 3 mm
Xvar	+/- 5.5 mm
Mms	43 g
Bl	14.4 Txm
Le	1.2 mH

Mounting and Shipping Info

Overall Diameter	316 mm (12.4 in)
Bolt Circle Diameter	296 mm (11.6 in)
Baffle Cutout Diameter	284 mm (11.2 in)
Depth	179 mm (7.05 in)
Flange and Gasket Thickness	13 mm (0.5 in)
Net Weight	5.6 kg (12.3 lb)
Shipping Weight	6.8 kg (15 lb)
Shipping Box	380x380x240 mm (15.2x15x9.4 in)



Crossover

Model	XO-2
Filter Type	Two way
Nominal Impedance	8 Ohm
Crossover Frequency	1.8 kHz
Slope	6 dB/oct. (Low) 12 dB/oct. with eq. (High)
Overall Dimensions	142x107 mm (5.6x4.2 in)
Weight	0.4 kg (0.9 lb)

