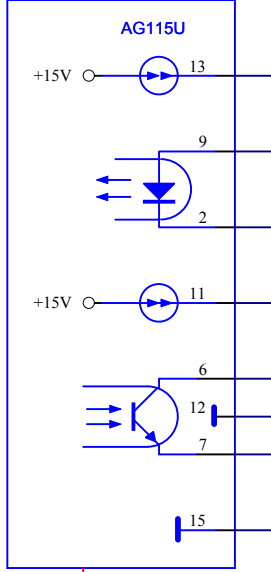


For PLC S5-110U, S5-95U, S5-115U

PG Interface (DB15 socket)



External Power source
20 ma minimum output

VL1 Red

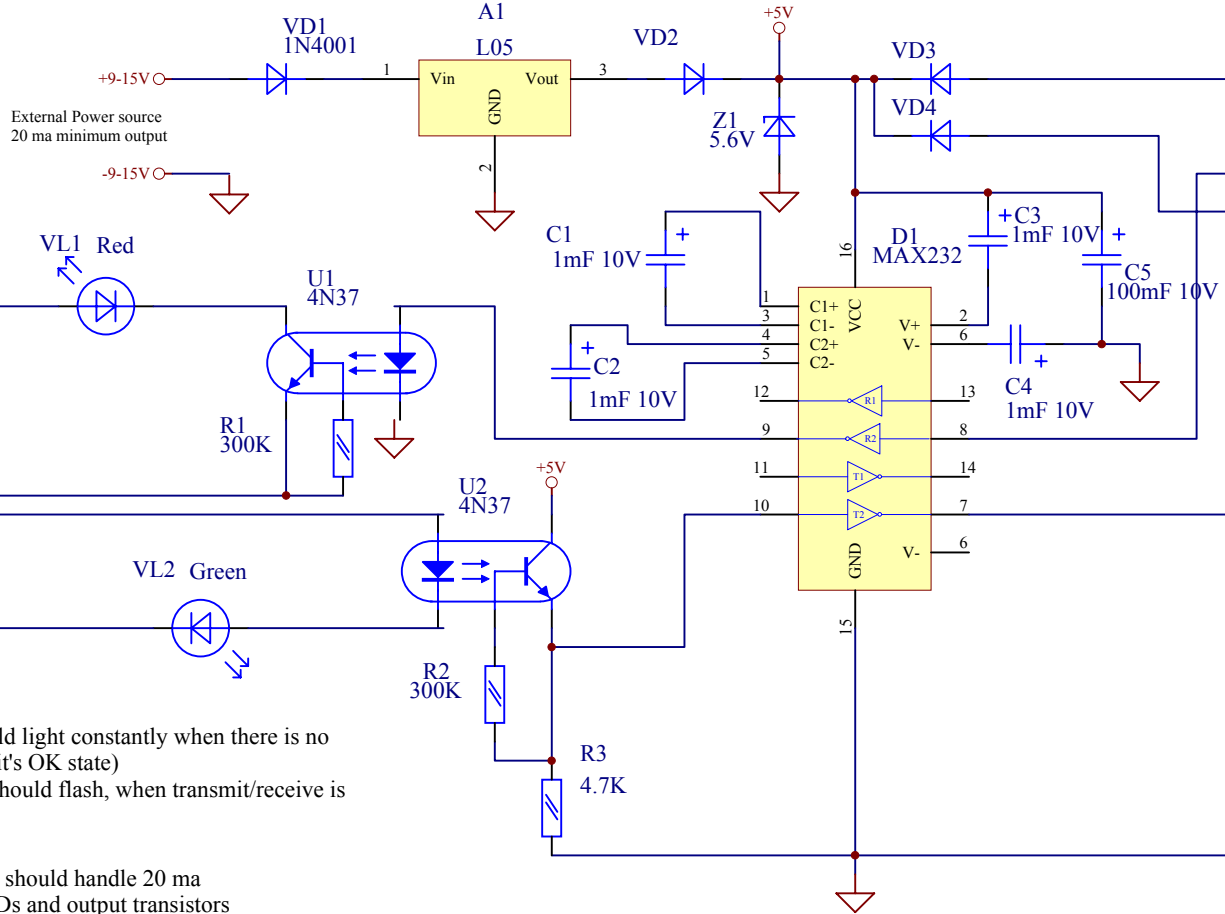
VL2 Green

Both LEDs should light constantly when there is no communication (it's OK state)
Appreciate LED should flash, when transmit/receive is active

LEDs VL1, VL2 should handle 20 ma
Optocoupler's LEDs and output transistors also should handle 20ma

Don't make this connection! It will destroy isolation between PLC and PC with unpredictable results !!!

VD2,3,4 should handle 30V 20mA (Shottky is better)
All LEDs should handle 20mA



XS1
DB9

IBM PC

Title		
RS232- TTY Converter		
Size	Number	Revision
A4	St. Petersburg, Russian Federation	2
Date:	21-Nov-2002	Sheet 1 of 1
File:	D:\PrjCir\RS232-TTY\M232TTY.SCH	Drawn By: Virgilev