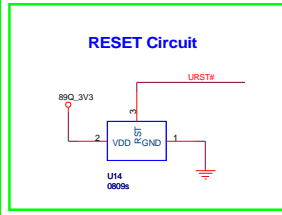
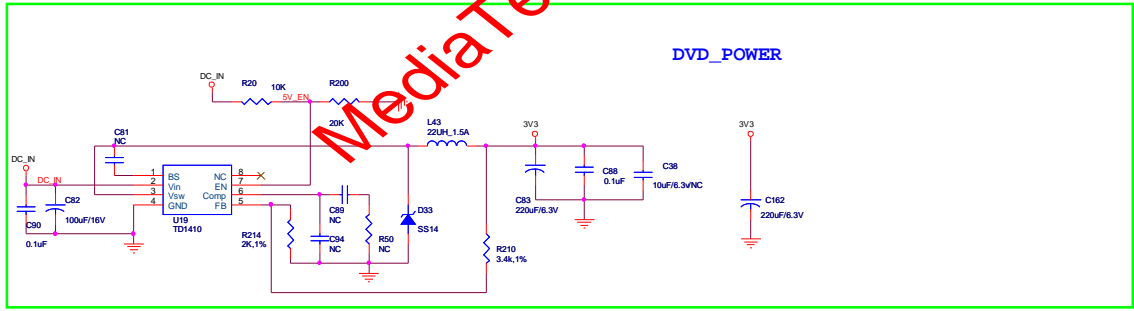
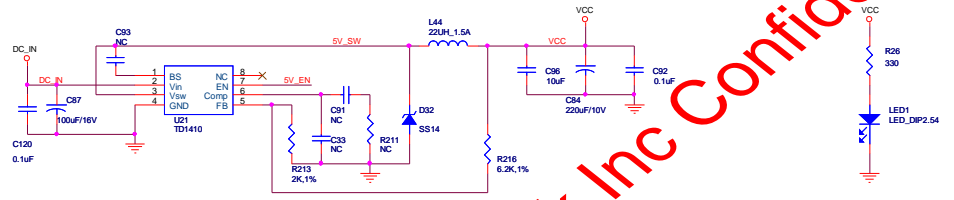
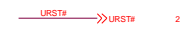


此电阻可调整充电电流大小

MT1389Q 128 PIN GPIO LIST

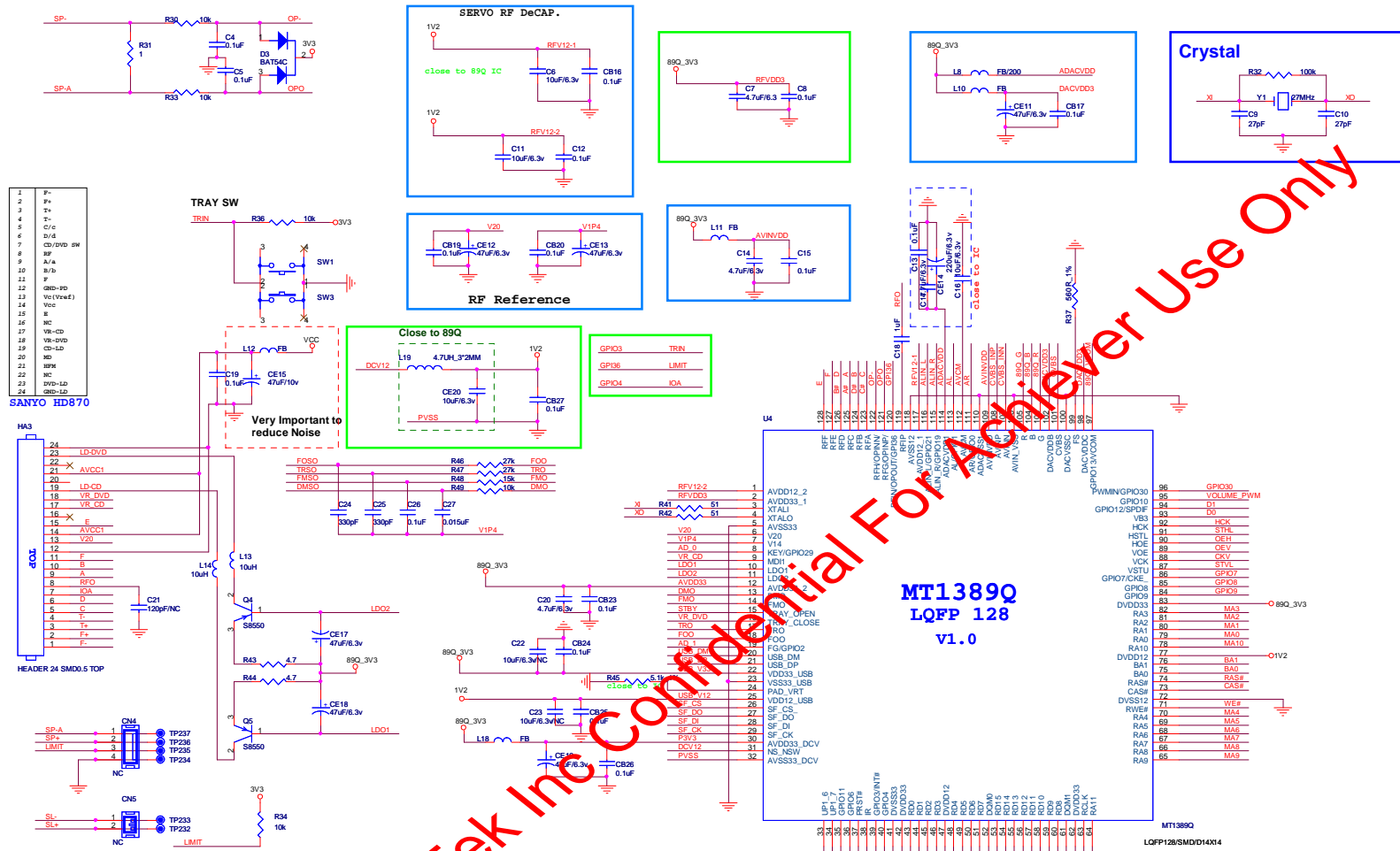
NAME	PIN	FEATURES
MDI1	9	VR_CD
TRAY_OPEN	15	STBY
TRAY_CLOSE	16	VR_DVD
FG / GPIO2	19	ADIN_BAT
GPIO3	39	TRIN
GPIO4	40	IOA
FSIN / GPIO1	120	LIMIT
UR16	33	RX2 [SCL]
UP_17	34	TX2 [SDA]
VCOM / GPIO13	97	VCOM
GPIO9	84	MS_DO SD_DO [EXT_CLKIN]
GPIO8	85	MS_BS SD_CMD [EXT_DATA0]
GPIO7	86	MS_CLK SD_CLK [EXT_DEN]
KEY / GPIO29	8	ADIN_KEY
PWMIN / GPIO30	96	PWMIN
GPIO12	94	PWMOUT1
GPIO10	95	PWMOUT2
VB3	93	A_MUTE
GPIO11	35	CARD_DET RX1 [EXT_SYNC]
GPIO6	36	ASPDFX TX1
AVINN / GPIO39	107	CVBS_IN_N [Card/RST_SW]

OFF-PAGE CONNECTION



MediaTek

M	MediaTek Inc.	
	Title: MT1389Q	
Supplier: ACHIEVER ELCTRONICS CO.,LTD	Drawn: _____	Rev: 1
Date: Tuesday, November 02, 2010	Checked: _____	Sheet: 1 of 7



OFF-PAGE CONNECTION

DQ[0..15]	↔	DQ[0..15]	3
MA[0..11]	↔	MA[0..11]	3
DM[0..1]	↔	DM[0..1]	3
BA[0..1]	↔	BA[0..1]	3
DCLK	↔	DCLK	3
RAS#	↔	RAS#	3
CAS#	↔	CAS#	3
WE#	↔	WE#	3
DRAM I/F			
SF_CK	↔	SF_CK	3
SF_CS	↔	SF_CS	3
SF_DI	↔	SF_DI	3
SF_DO	↔	SF_DO	3
S-FLASH			
SCL	↔	SCL	8
SDA	↔	SDA	8
GPIO7	↔	GPIO7	6
GPIO8	↔	GPIO8	6
GPIO11	↔	GPIO11	6
MCR I/F			
CVBS_INN	↔	CVBS_INN	4
CVBS_INP	↔	CVBS_INP	4
CVBS	↔	CVBS	4
VIDEO I/F			
AR	↔	AR	5
AL	↔	AL	5
GPIO11	↔	GPIO11	5
ALIN_L	↔	ALIN_L	5
ALIN_R	↔	ALIN_R	5
AUDIO I/F			
USB_DM	↔	USB_DM	6
USB_DP	↔	USB_DP	6
USB I/F			
89Q_G	↔	89Q_G	5
89Q_B	↔	89Q_B	5
89Q_F	↔	89Q_F	5
89Q_VCOM	↔	89Q_VCOM	5
89Q_VCOM	↔	89Q_VCOM	5
STHL	↔	STHL	5
CEH	↔	CEH	5
CEV	↔	CEV	5
CKV	↔	CKV	5
STVL	↔	STVL	5
PANEL			
DO	↔	DO	2,8
DI	↔	DI	2,8
SCL	↔	SCL	1
SDA	↔	SDA	1
GAME			
VOLUME_PWM	↔	VOLUME_PWM	5
GPIO3	↔	GPIO3	5
TV_POWER_ON/OFF	↔	TV_POWER_ON/OFF	4
AD_0	↔	AD_0	1
AD_1	↔	AD_1	1
AD_1	↔	AD_1	1
URST#	↔	URST#	1

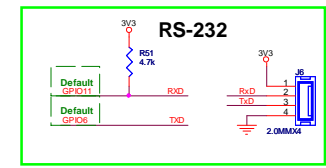
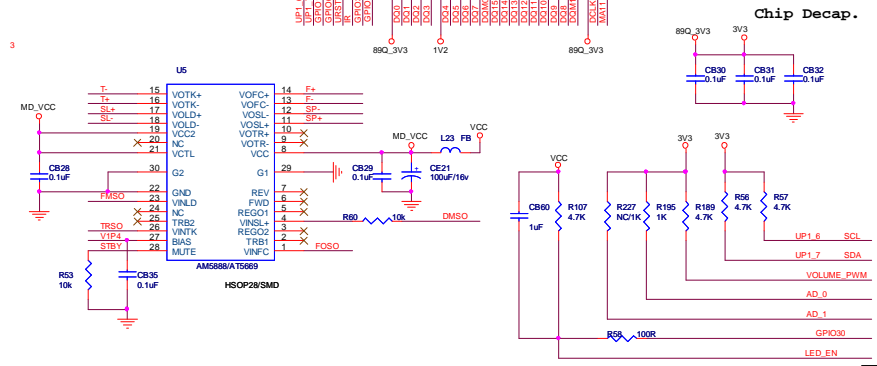
SANYO HD870

1	SP-
2	SP+
3	TR
4	TR
5	C/c
6	CD-DVD SW
7	RF
8	A/A
9	B/B
10	F
11	89Q-VD
12	VR(V+V)
13	Vcc
14	E
15	MC
16	VR-CD
17	VR-DVD
18	LD-LD
19	MD
20	BPH
21	MC
22	89Q-LD
23	89Q-LD
24	89Q-LD

HEADER 24 SMD0.5 TOP

24	LD-DVD
23	AVCC1
22	AVCC1
21	VR-DVD
20	VR-DVD
19	VR-DVD
18	VR-DVD
17	VR-DVD
16	E
15	AVCC1
14	AVCC1
13	VDD
12	F
11	A
10	B
9	D
8	C
7	B/A
6	D
5	C
4	T
3	T
2	F+
1	F-

HITACHI HOP1200/1200W 1200W



MediaTek Inc.

MT1389Q

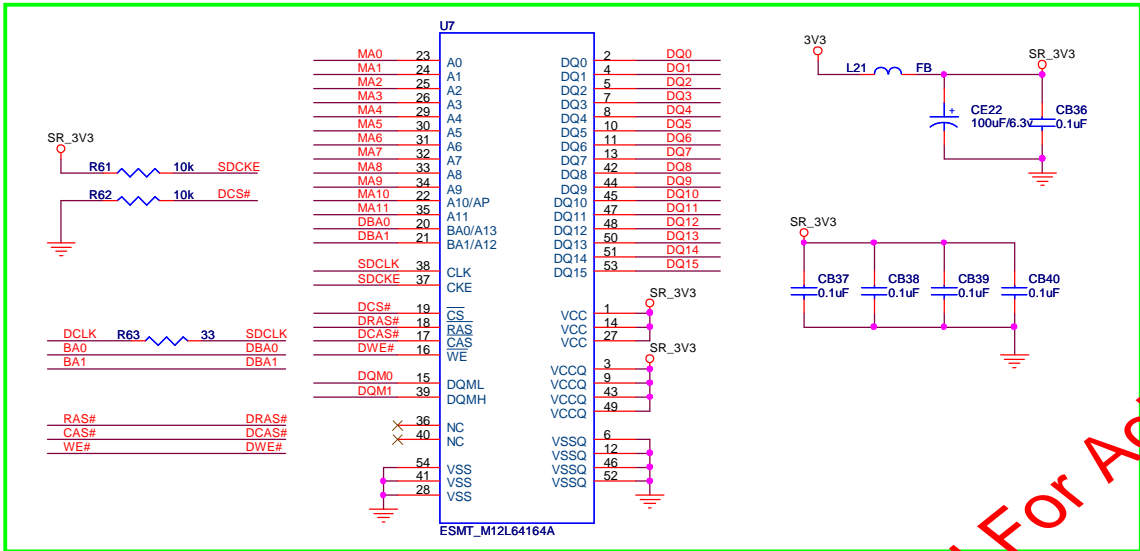
Supplier: ACHIEVER ELCETRONICS CO.LTD

Date: Tuesday, November 02, 2010

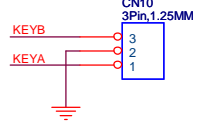
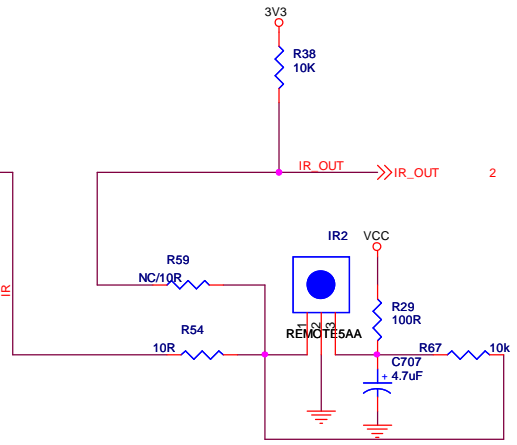
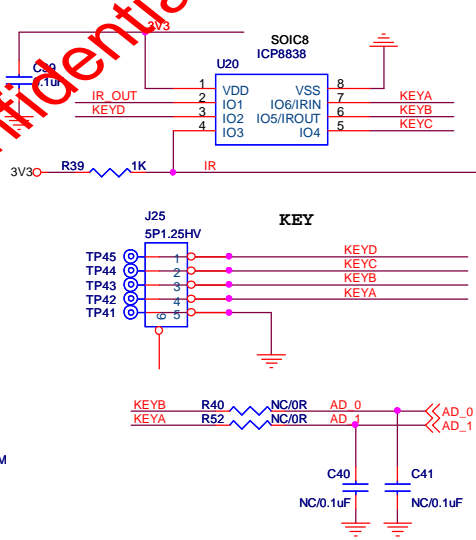
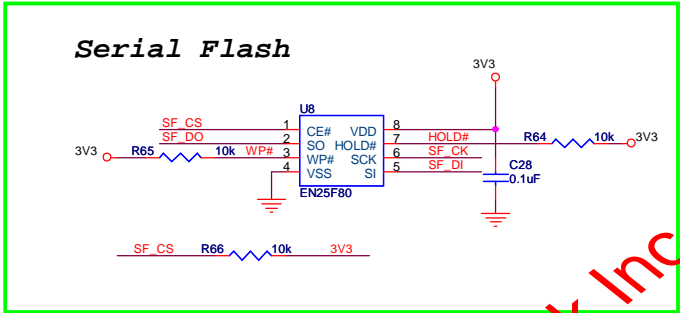
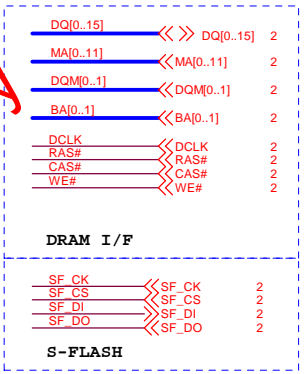
Drawn: []

Checked: []

Sheet 2 of 7



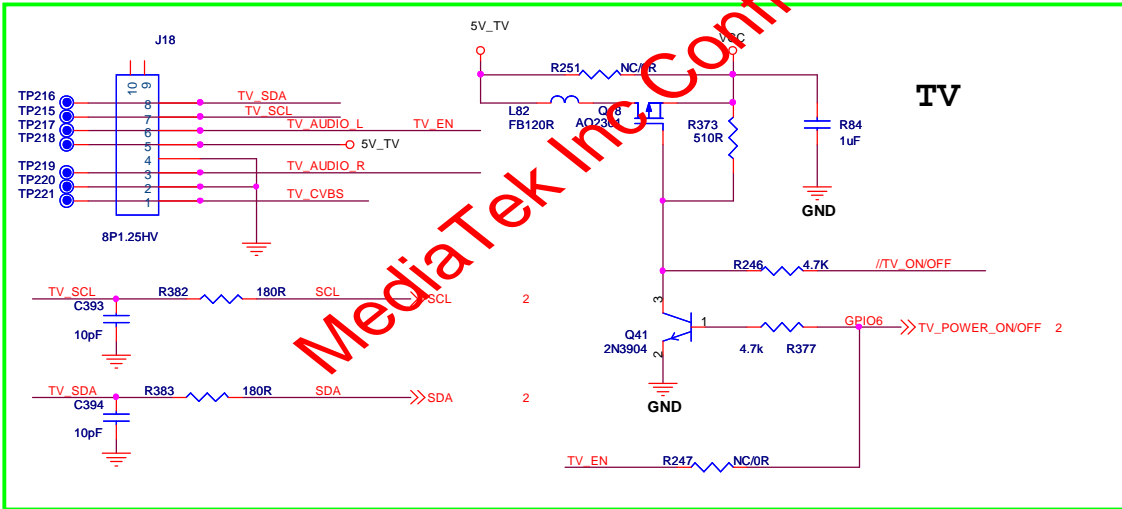
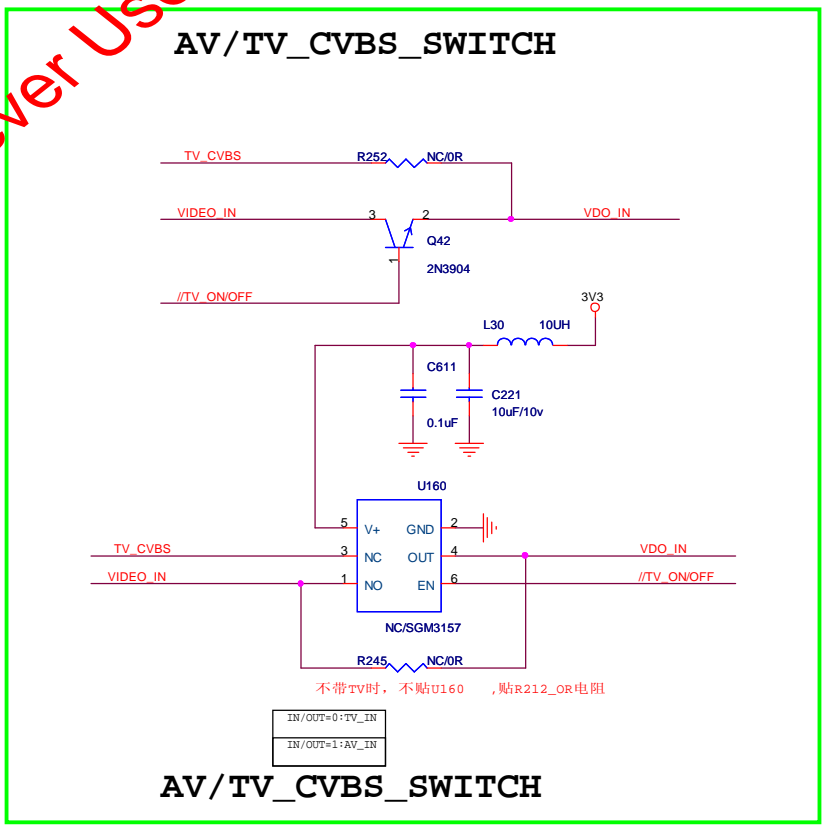
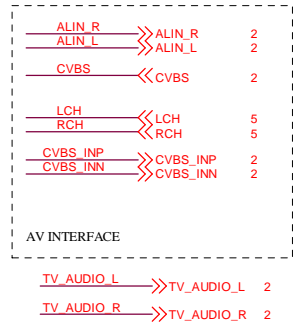
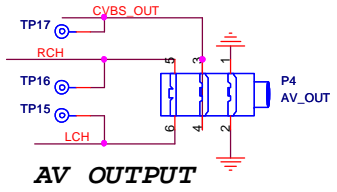
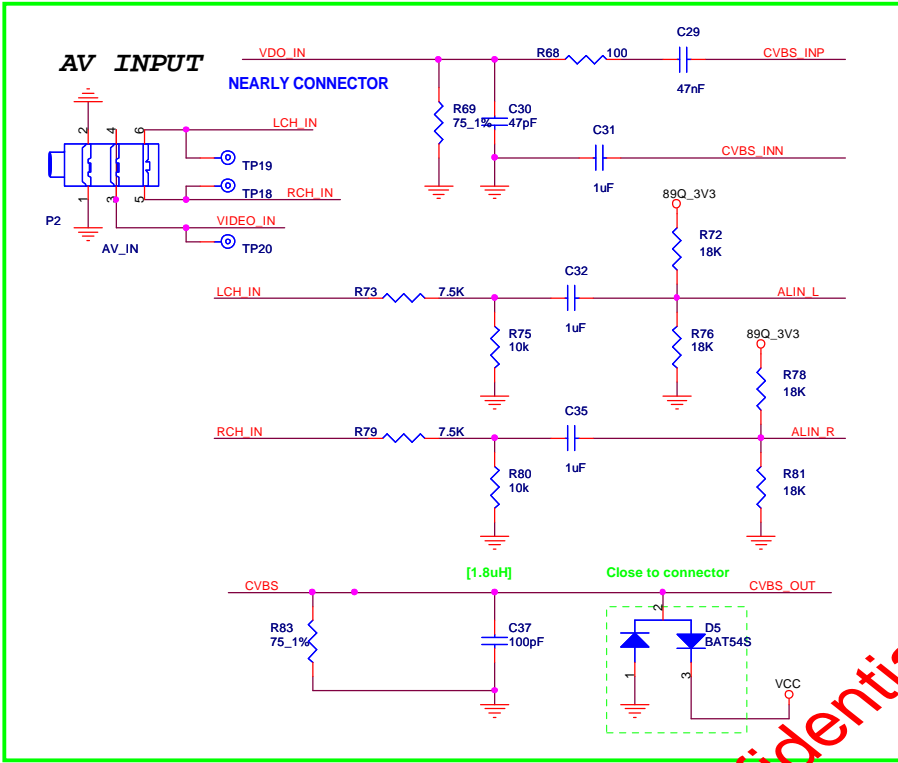
OFF-PAGE CONNECTION



MediaTek Inc Confidential For Achiever Use Only

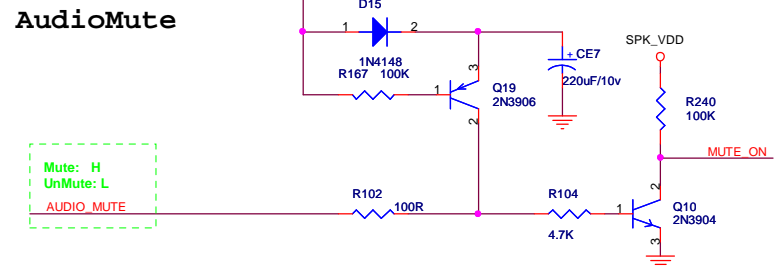
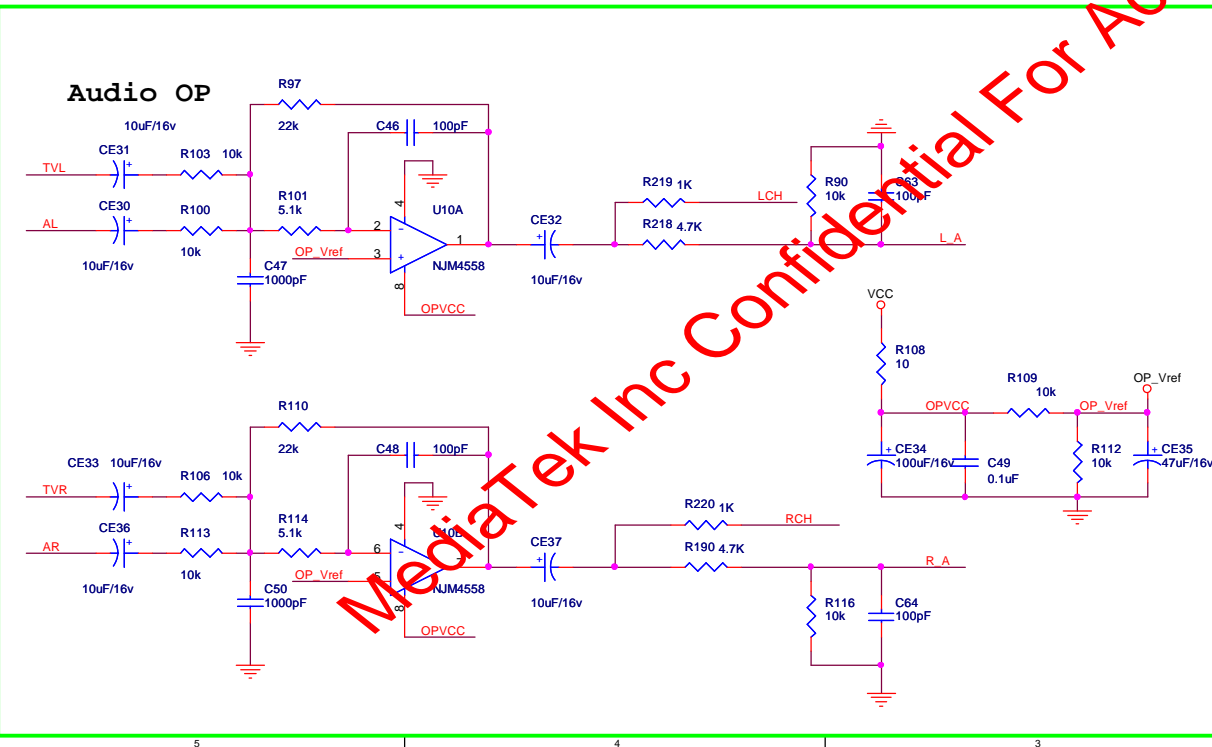
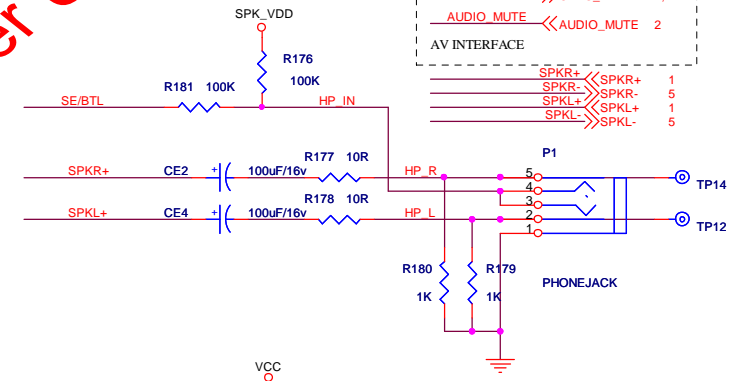
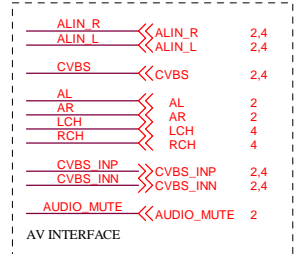
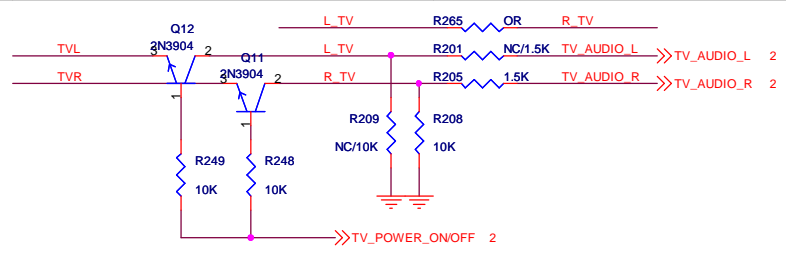
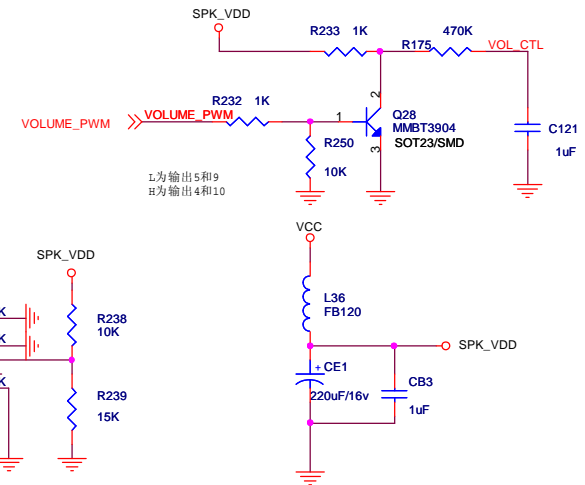
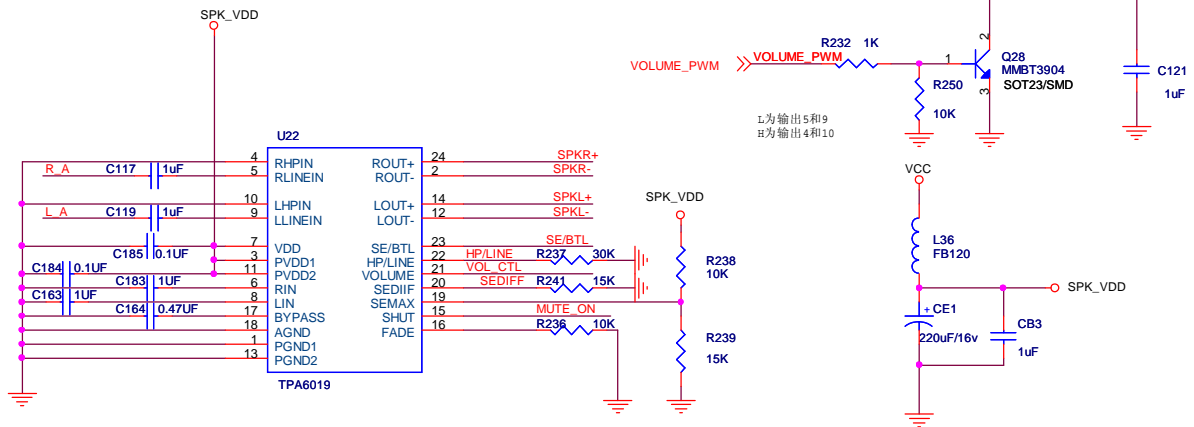
MediaTek

MediaTek Inc.			
MT1389Q			
supplier	ACHIEVER ELCETRONICS CO.,LTD	Drawn:	Rev 1
Date:	Tuesday, November 02, 2010	Checked:	Sheet 3 of 7

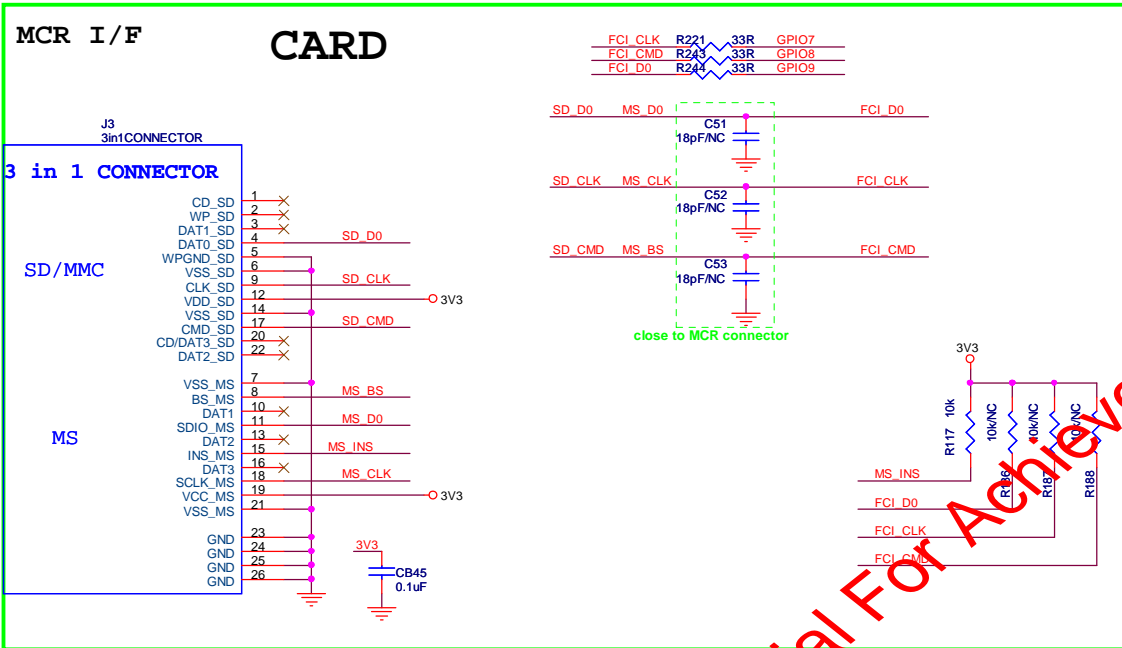


MediaTek

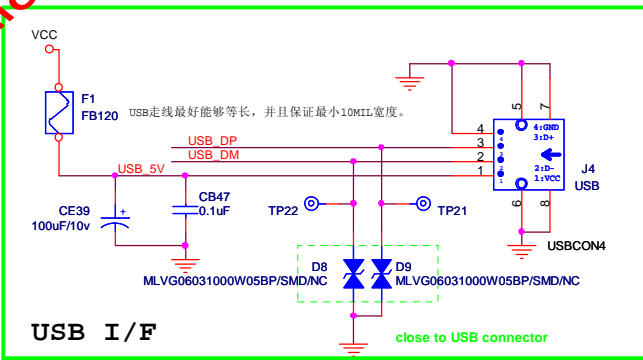
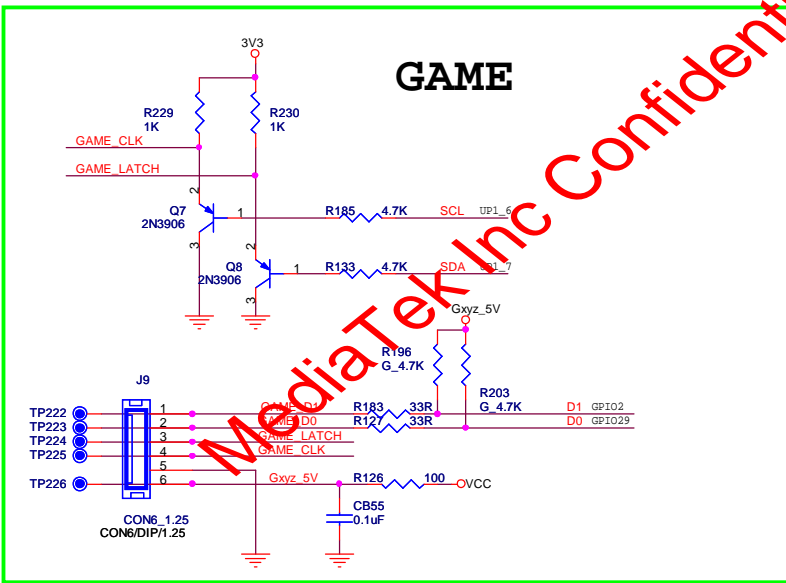
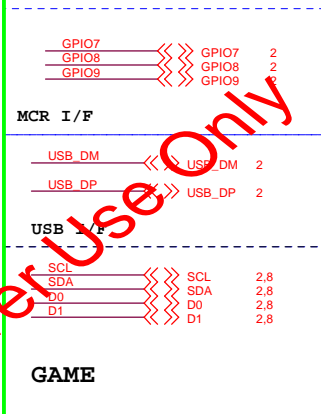
MediaTek Inc.		File	
MT1389Q		Rev 1	
supplier	ACHEVER ELCETRONICS CO.,LTD	Drawn:	Checked:
Date:	Tuesday, November 02, 2010	Sheet	4 of 7



MediaTek
MediaTek Inc.
 Part: **MT1389Q**
 supplier: ACHIEVER ELECTRONICS CO.,LTD
 Date: Tuesday, November 02, 2010
 Drawn: []
 Checked: []
 Sheet 5 of 7
 Rev 1



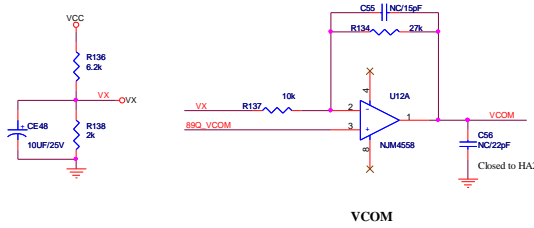
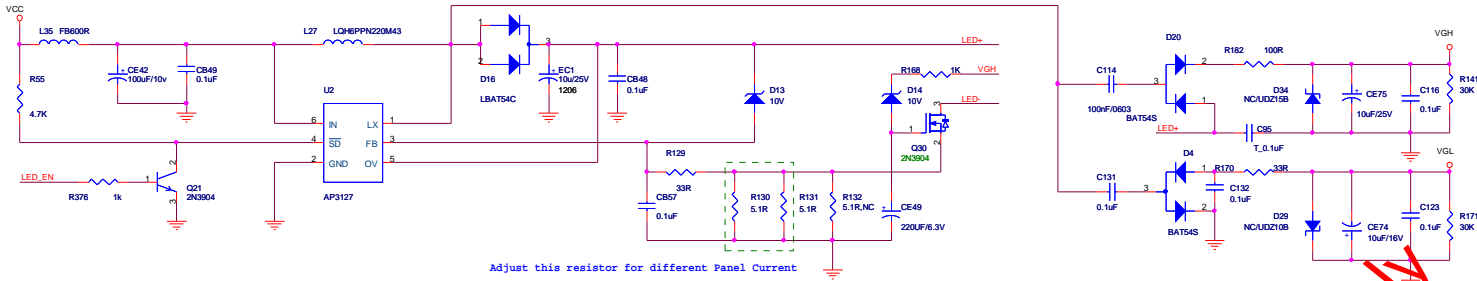
OFF-PAGE CONNECTION



MediaTek

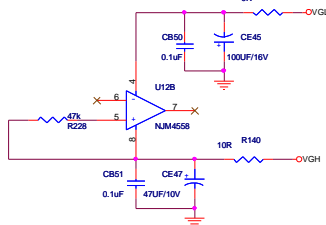
MediaTek Inc.	
File: MT1389Q	
Supplier: ACHEVER ELCETRONICS CO.,LTD	Drawn: 1
Date: Tuesday, November 02, 2010	Checked: 1
	Sheet: 6 of 7

LED BACKLIGHT Control



BATTERY

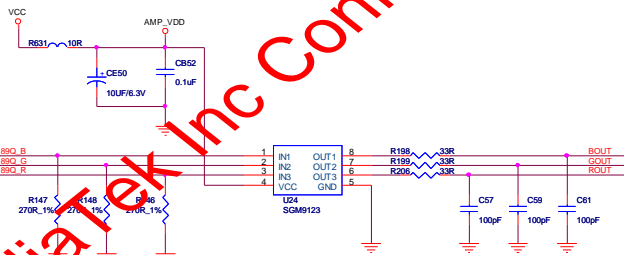
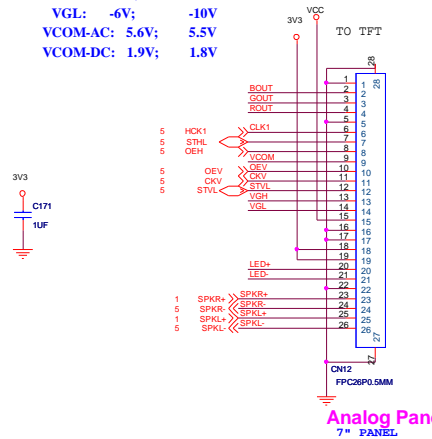
BAT: 6.4V means Low power



CLAA070JC01; HSD0701651;

- V: 9.6V; 10.5V
- I: 80mA; 100mA
- VGH: 18V; 15V
- VGL: -6V; -10V
- VCOM-AC: 5.6V; 5.5V
- VCOM-DC: 1.9V; 1.8V

StepUp Circuit



MediaTek Inc Confidential For Achiever Use Only

MediaTek

		MediaTek Inc.	
		File MT1389Q	
supplier	ACHIEVER ELCETRONICS CO.,LTD	Drawn:	Rev 1
Date:	Tuesday, November 02, 2010	Checked:	Sheet 7 of 7