

Figure 7

- ◆ BUZZER1 : Buzzer, connects to JUMP as PT1.7 signal as Figure 8 illustrated.

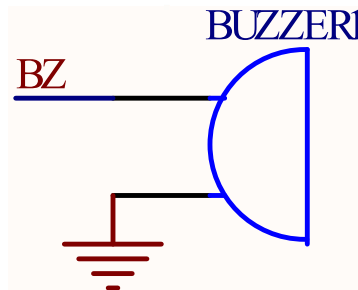


Figure 8

- ◆ U9 : EEPROM 24C02, as described in Figure 9.

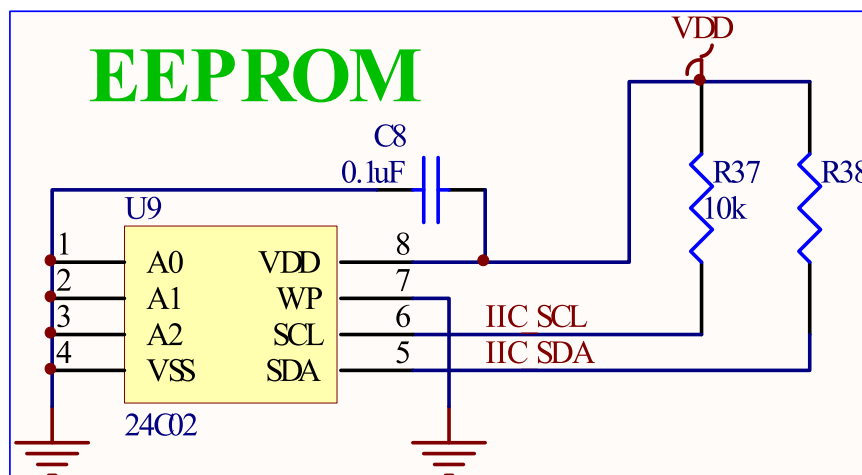


Figure 9