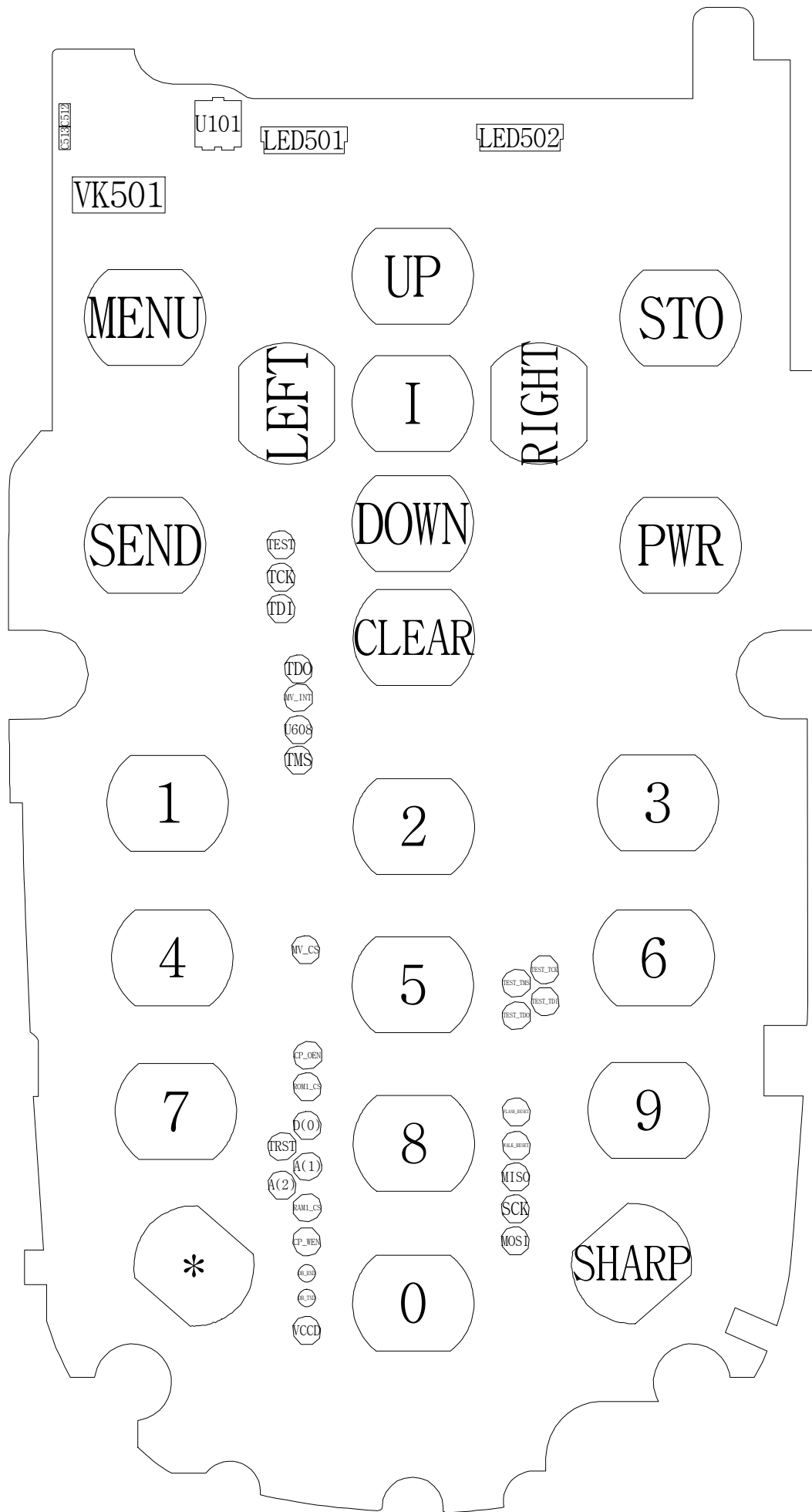


SR\_P SR\_N SR\_L BAT GND



U101

LED501

LED502

VK501

MENU

UP

STO

LEFT

I

RIGHT

SEND

TEST  
TCK  
TDI

DOWN

PWR

CLEAR

TDO  
MV\_INV  
U608  
TMS

1

2

3

4

MV\_CS

5

TEST\_TDI  
TEST\_TDO  
TEST\_TDI

6

7

EP\_OEN  
BOHL\_CS  
D(O)  
TRST  
A(1)  
A(2)

8

FLAK\_RESET  
PALK\_RESET  
MISO  
SCK  
MOSI

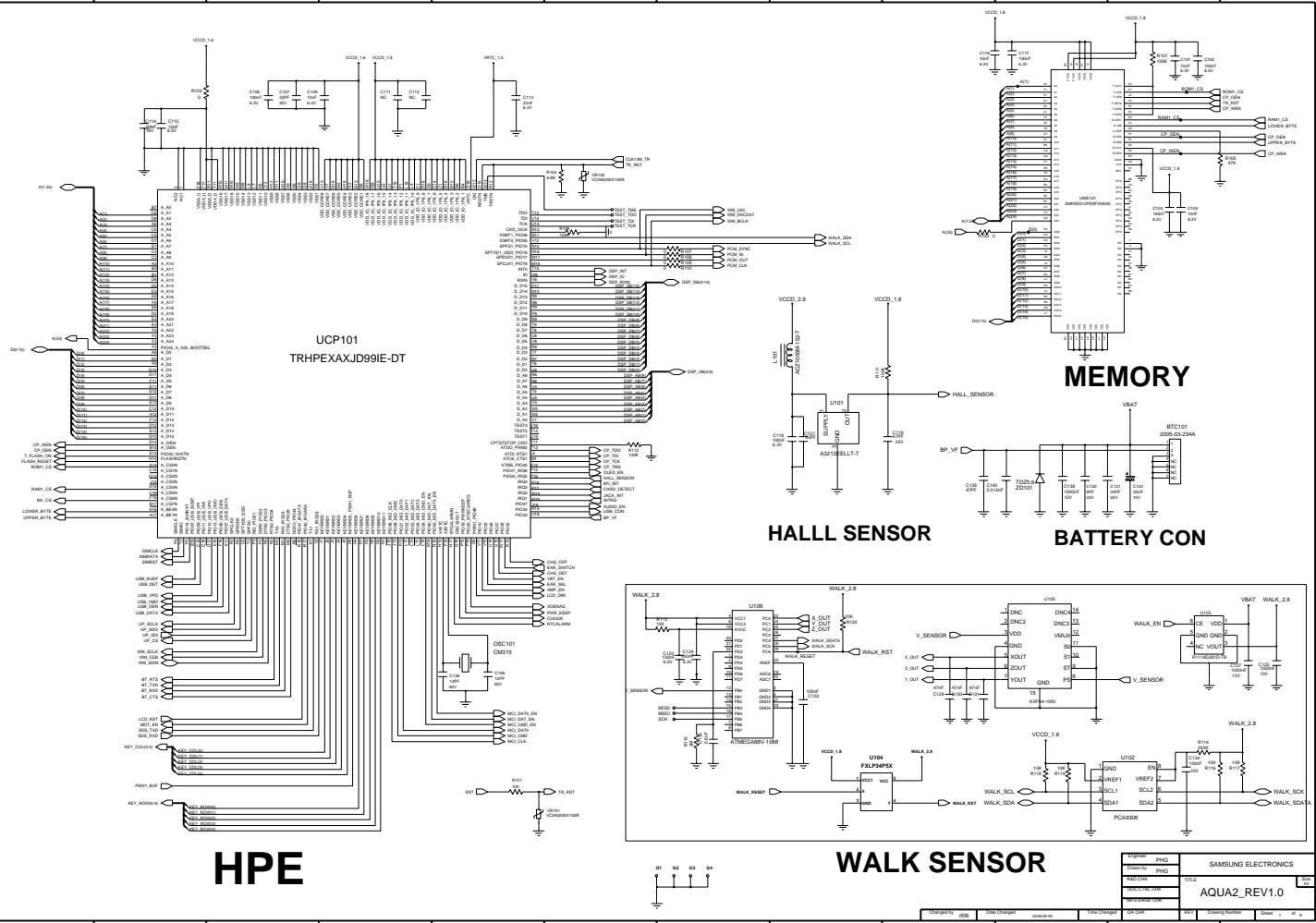
9

\*

EARL\_CS  
EP\_BEN  
BE\_TDI  
BE\_TDO  
WCCD

0

SHARP



# HPE

# UCP101 TRHPEXAX.JD99IE-DT

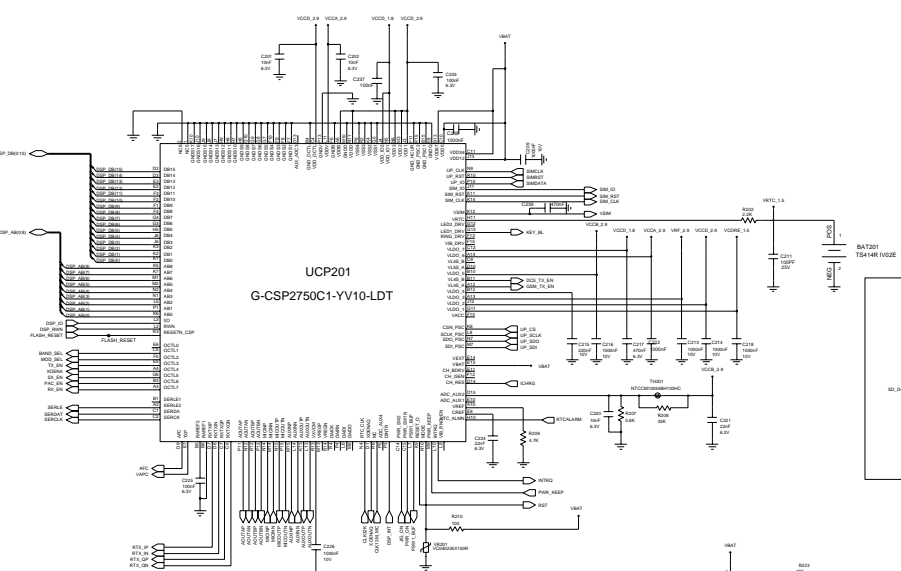
# MEMORY

# HALL SENSOR

# BATTERY CON

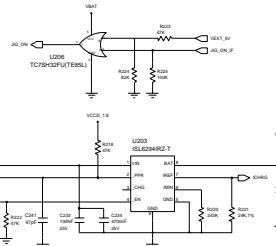
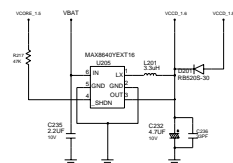
# WALK SENSOR

TYPE	PAGE	SAMSUNG ELECTRONICS
DATE	2/95	
REV	AQUA2_REV1.0	
DESCRIPTION	AQUA2_REV1.0	
DESIGNER		
CHECKER		
DATE		
SYMBOL		
SCALE		

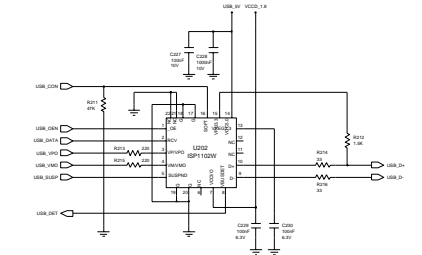


UCP201  
G-CSP2750C1-YV10-LDT

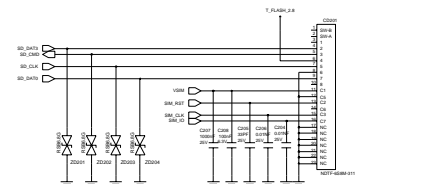
CSP2750



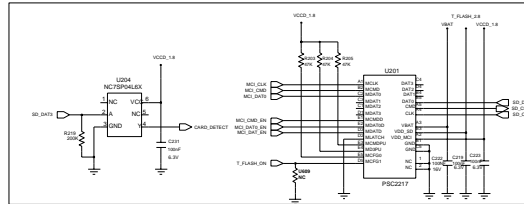
CHARGER IC



USB

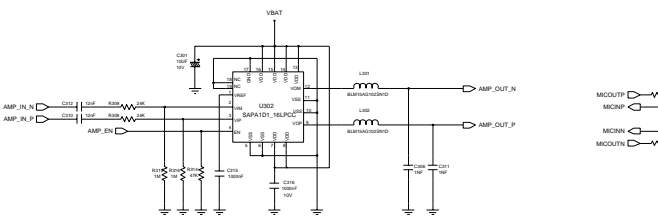


SIM + T-FLASH SOC

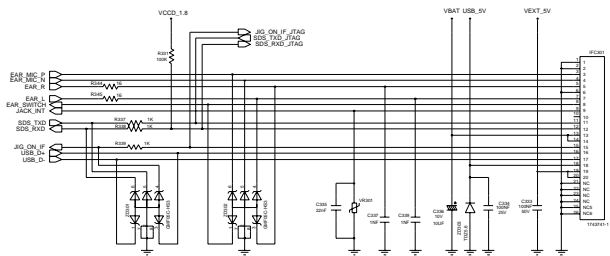
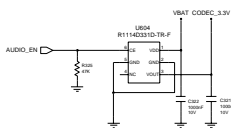


T-FLASH

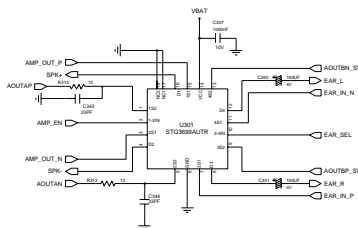
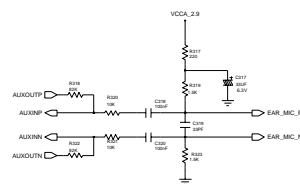
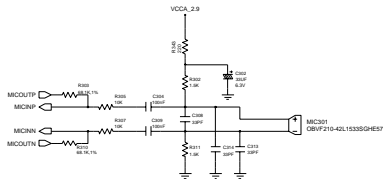
# AUDIO PART



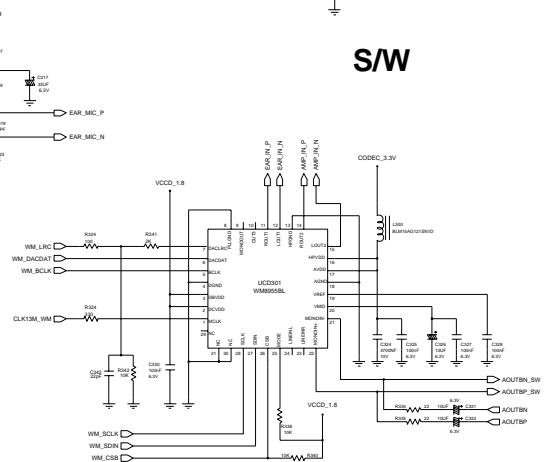
**SAPA**



**20 PIN CON**

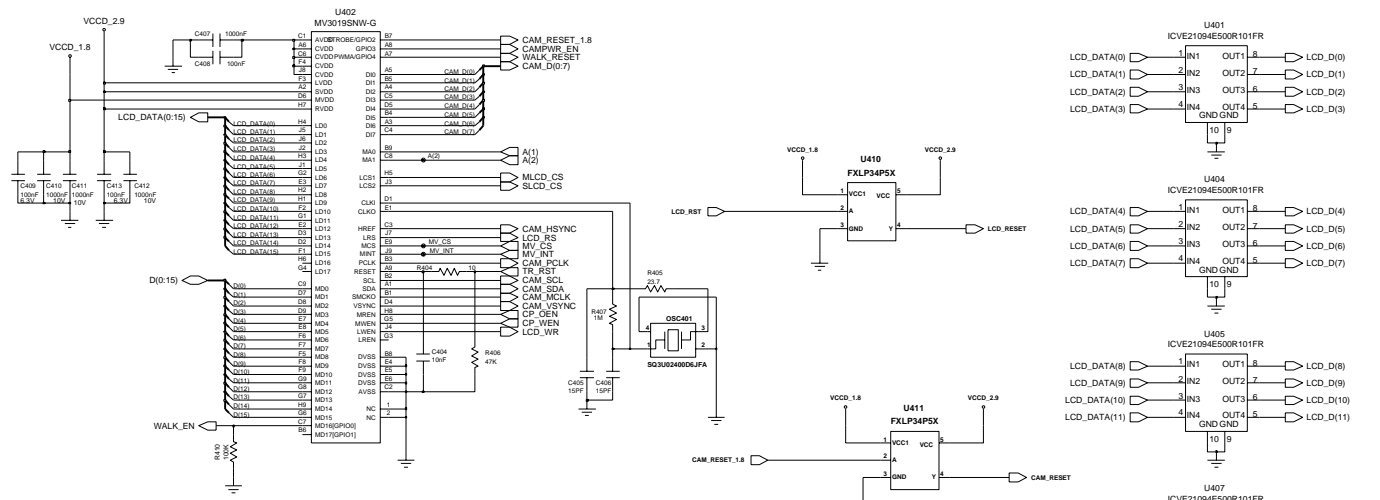


**SW**

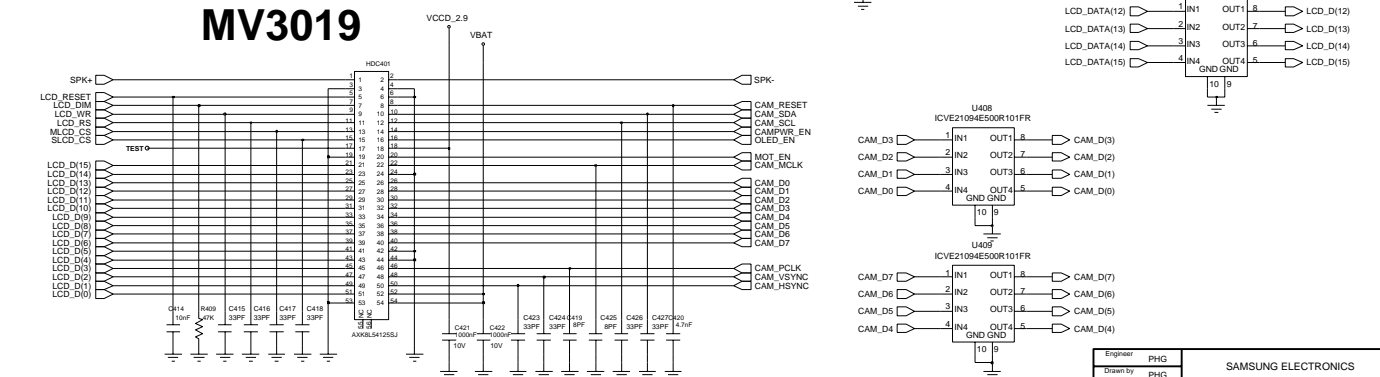


**CODEC**

COMPANY	SAMSUNG ELECTRONICS
DESIGN NO.	49A
REV. NO.	1.0
DATE	2012.08.10
DESCRIPTION	AQUA2_REV1.0

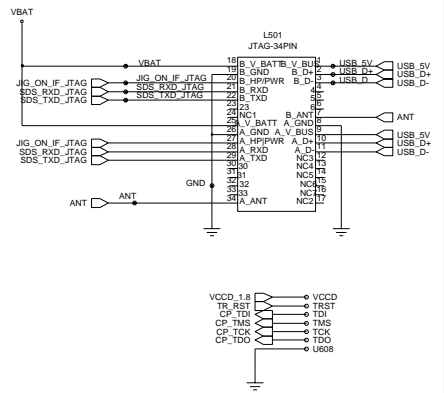
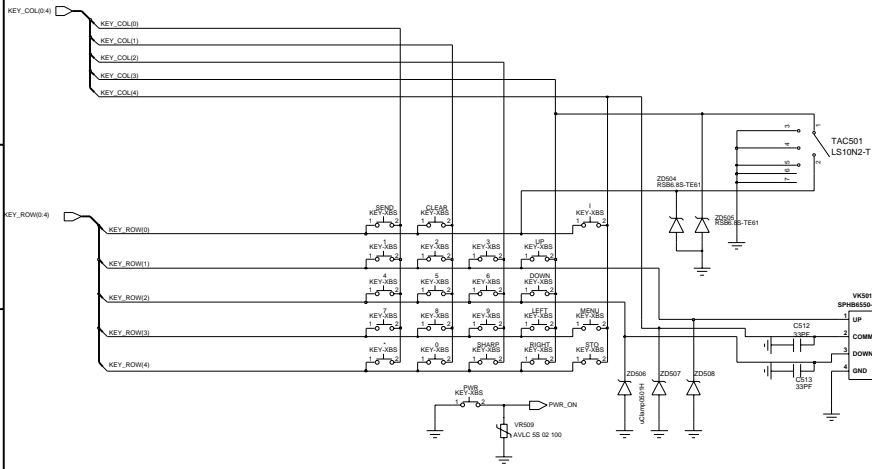


# MV3019

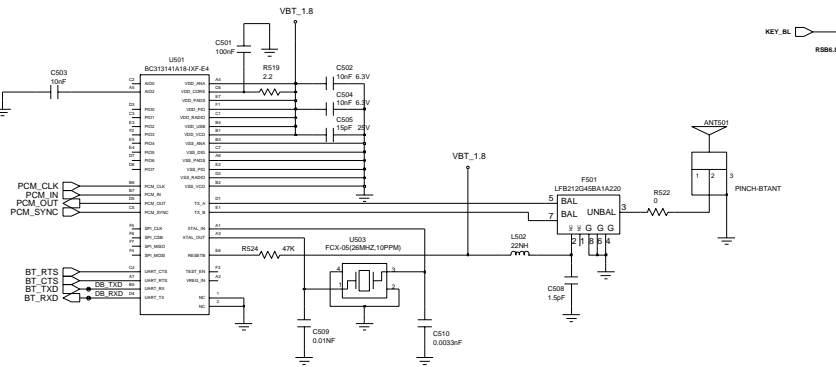
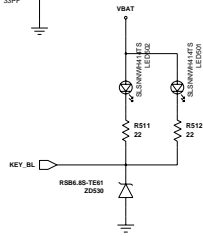


# LCD CONNECTOR

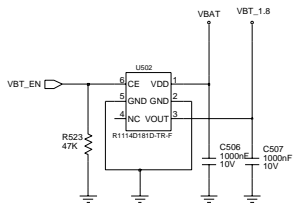
Engineer	PHIG	<b>SAMSUNG ELECTRONICS</b> TITLE: AQUA2_REV1.0 Size A3
Drawn by	PHIG	
RWD/CHK		
DISC/CTRL/CHK		
WFS/ENGR/CHK		<b>AQUA2_REV1.0</b>



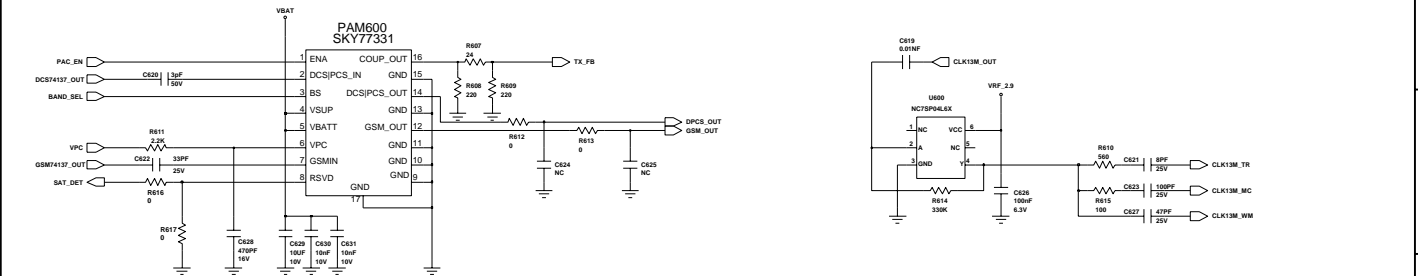
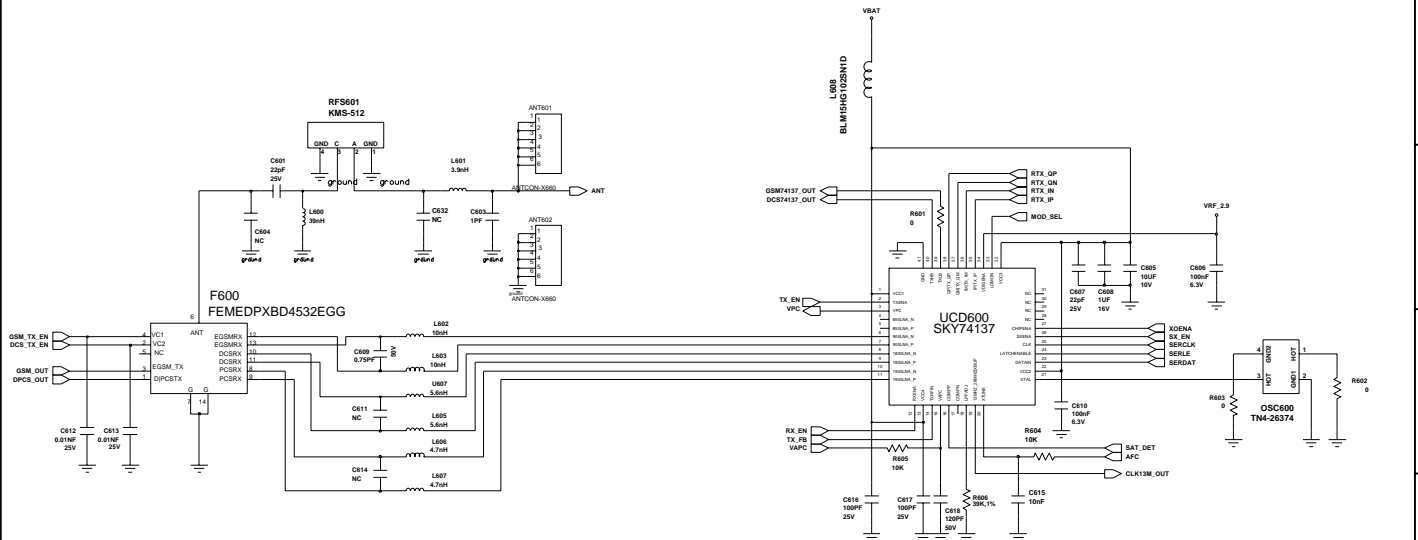
# JTAG



# BLUETOOTH



Engineer	PHG	SAMSUNG ELECTRONICS	Size A3		
Drawn by	PHG				
RAD/CHK				TITLE:	AQUA2_REV1.0
DES/CTRL/CHK				REV	Drawing Number
MFG ENGR/CHK					



# RF PART

Engineer #115	COMPANY NAME
Drawn by #115	Address
RESD CKR	City
DDC CTRL CKR	TITLE: AQUA2_REV1.0
MPIS ENGR CKR	Size A3