

# Service Manual

## CD Stereo System

**COMPACT**  
**disc**  
**DIGITAL AUDIO**



Remote SB-AK630 SA-AK630 SB-AK630 SB-WAK630  
Control

## SA-AK630EE

Colour

(S)... Silver Type

## Specifications

### ■ AMPLIFIER SECTION

RMS output power	
THD 10%, both channels driven	
1 kHz	
(Low channel)	75 W per channel (5 Ω)
10 kHz	
(High channel)	70 W per channel (5 Ω)
80 Hz	
(Subwoofer channel)	160 W (8 Ω)
Total power output	450 W

### ■ FM/AM TUNER, TERMINALS SECTION

Preset station	FM 15 stations
	AM 15 stations
Frequency Modulation (FM)	
Frequency range	87.50 - 108.00 MHz (50 kHz steps)
Sensitivity	1.8 μV (IHF)
S/N 26 dB	1.5 μV
Antenna terminal(s)	75 Ω (unbalanced)
Amplitude Modulation (AM)	
Frequency range	522 - 1629 kHz (9 kHz steps)
Sensitivity	
S/N 20 dB (at 999 kHz)	560 μV/m
Audio performance (Amplifier)	
Input sensitivity/Input impedance	
Aux	250 mV, 14.7 kΩ
Phone jack	
Terminal	Stereo, 3.5 mm jack

### ■ CASSETTE DECK SECTION

Track system	4 track, 2 channel
Heads	
Record/playback	Solid permalloy head
Erasure	Double gap ferrite head
Motor	DC servo motor
Recording system	AC bias 100 kHz
Erasing system	AC erase 100 kHz
Tape speed	4.8 cm/s
Overall frequency response (+3 dB, -6 dB at DECK OUT)	
NORMAL	35 Hz - 14 kHz
S/N ratio	50 dB (A weighted)
Wow and flutter	0.18 % (WRMS)
Fast forward and rewind time	Approx. 120 seconds with C-60 cassette tape

### ■ DISC SECTION

Discs played [8 cm or 12 cm]	
(1) CD-Audio (CD-DA)	
(2) CD-R/RW (CD-DA, MP3 formatted discs)	
(3) MP3	
Bit rate	
MP3	32 kbps - 320 kbps
Sampling frequency	
MP3	32 kHz, 44.1 kHz, 48 kHz
CD	44.1 kHz
Decoding	16 bit linear
Digital filter	8 fs

# Panasonic

© 2005 Matsushita Electric Industrial Co. Ltd.. All rights reserved. Unauthorized copying and distribution is a violation of law.

3. Press [▲, OPEN/CLOSE] to close the tray.
4. Press "CD DIRECT PLAY (5)" and [▲, OPEN/CLOSE] wait until the tray is open.
5. Press [▲, OPEN/CLOSE] and remove the CD.
6. Press [▲, OPEN/CLOSE] to close the tray.
7. Press "n/STOP" to indicate Error Code.

· If several problem exist, error code will change each time when "n/STOP" is pressed. (e.g. F15 → F26 → F16 ....etc).

## 11.5. To clear all Error code

1. Press [■, STOP] and hold button for 5 seconds.
2. FL indicator shows "CLEAR" for 1 second and change to "T".

## 11.6. To exit from Self-Diagnostic function

1. Press [⏻/I, POWER] button on main unit or remote control.

## 11.7. Power Amplifier Failure (F61)

1. When power amplifier fail, F61 will indicate automatically.

## 11.8. Description of Error Code

### 11.8.1. Abnormality detection for Deck Mechanism block

No.	Abnormal Items	Error Display	Method of Detection
1	MODE SW abnormal	H01	Normal operation during mecha transition, MODE SW abnormal is memorized. The content of abnormality can be confirmed in the abnormal detection mode explained in the later section.
2	REC INH SW abnormal	H02	The content of abnormality can be confirmed in the abnormal detection mode explained in the later section.
3	HALF SW abnormal	H03	The content of abnormality can be confirmed in the abnormal detection mode explained in the later section.
4	Reel pulse abnormal	F01	The content of abnormality can be confirmed in the abnormal detection mode explained in the later section.

### 11.8.2. Abnormality detection for CD/Changer block

No.	Abnormal Items	Error Display	Method of Detection
1	REST SW abnormal	F15	Under normal operation (Self-Diagnostic Mode inclusive), this error occurs when the REST SW ON is not detected within the specified time and shall be memorized.
2	Transmission error between CD servo LSI and micon	F26	Under normal operation (Self-Diagnostic Mode inclusive), this error occurs when the selection is set to CD and SENSE='H' is detected and SENSE='L' is not detected within a fail safe time (20ms) after system command transmission was sent.
3	CLAMP SW abnormal	F16	Refer to section 11.8.4 (Mechanism Error Code Table) [M-0A] error is detected.
4	BOTTOM SW abnormal	F17	Refer to section 11.8.4 (Mechanism Error Code Table) [M-09] error is detected.
5	POSITION SW abnormal	F27	Refer to section 11.8.4 (Mechanism Error Code Table) [M-05 ~ M-08] error is detected.
6	SW1 abnormal	F28	Refer to section 11.8.4 (Mechanism Error Code Table) [M-02 ~ M-08] error is detected.
7	SW2 abnormal	F29	Refer to section 11.8.4 (Mechanism Error Code Table) [M-02 ~ M-08] error is detected.
8	OPEN SW abnormal	H15	Refer to section 11.8.4 (Mechanism Error Code Table) [M-01] error is detected.
9	CLOSE SW abnormal	H16	Refer to section 11.8.4 (Mechanism Error Code Table) [M-01] error is detected.
10	DISC SENSOR	F30	Refer to section 11.8.4 (Mechanism Error Code Table) [M-01] error is detected.

### 11.8.3. Power supply related error detection

No.	Abnormal Items	Error Display	Method of Detection
1	POWER AMP output abnormal	F61	During normal operation, if DCDET becomes 'L', normal POWER OFF process shall not be executed, PCNT shall be switched to 'L' immediately. GOODBYE shall not be displayed and the error display F61 will be displayed instead. 2 seconds after the F61 display, ECONO shall be set to 'L' and FL display shall be turned off. The error content shall be memorized when the abnormality occurs and can be displayed in the C-mecha self-diagnostic mode described later.

### 11.8.4. Error Code (CR20 Mechansim)

1. If mechanism problem occurs during normal or aging mode, the error code is "remembered" and shown on the FL display.

2. Reset Condition of Error Code

- a. During cold start of micro-processor IC.
- b. Restart of aging mode for the mechanism unit.

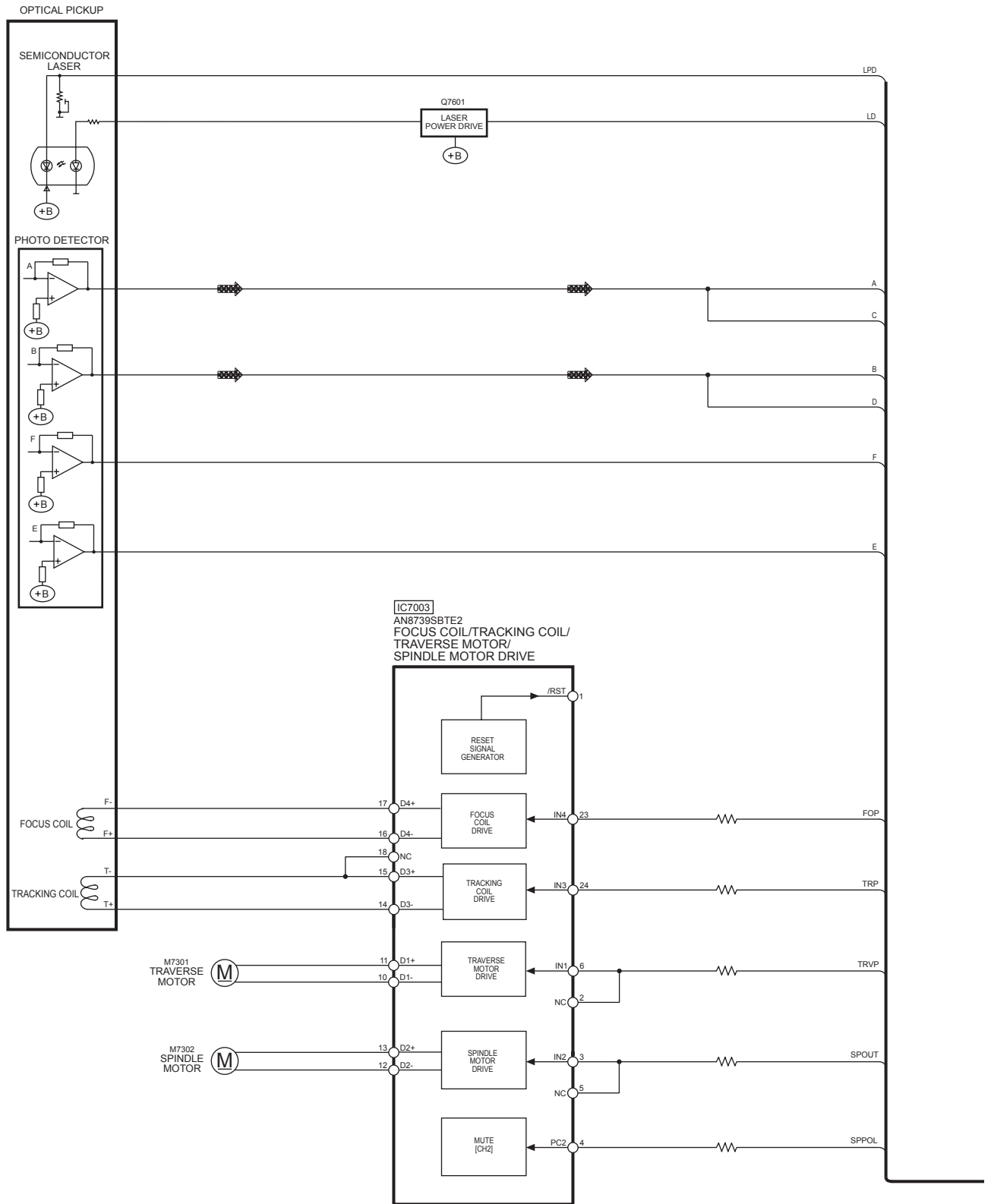
3. Mechanism Error Code

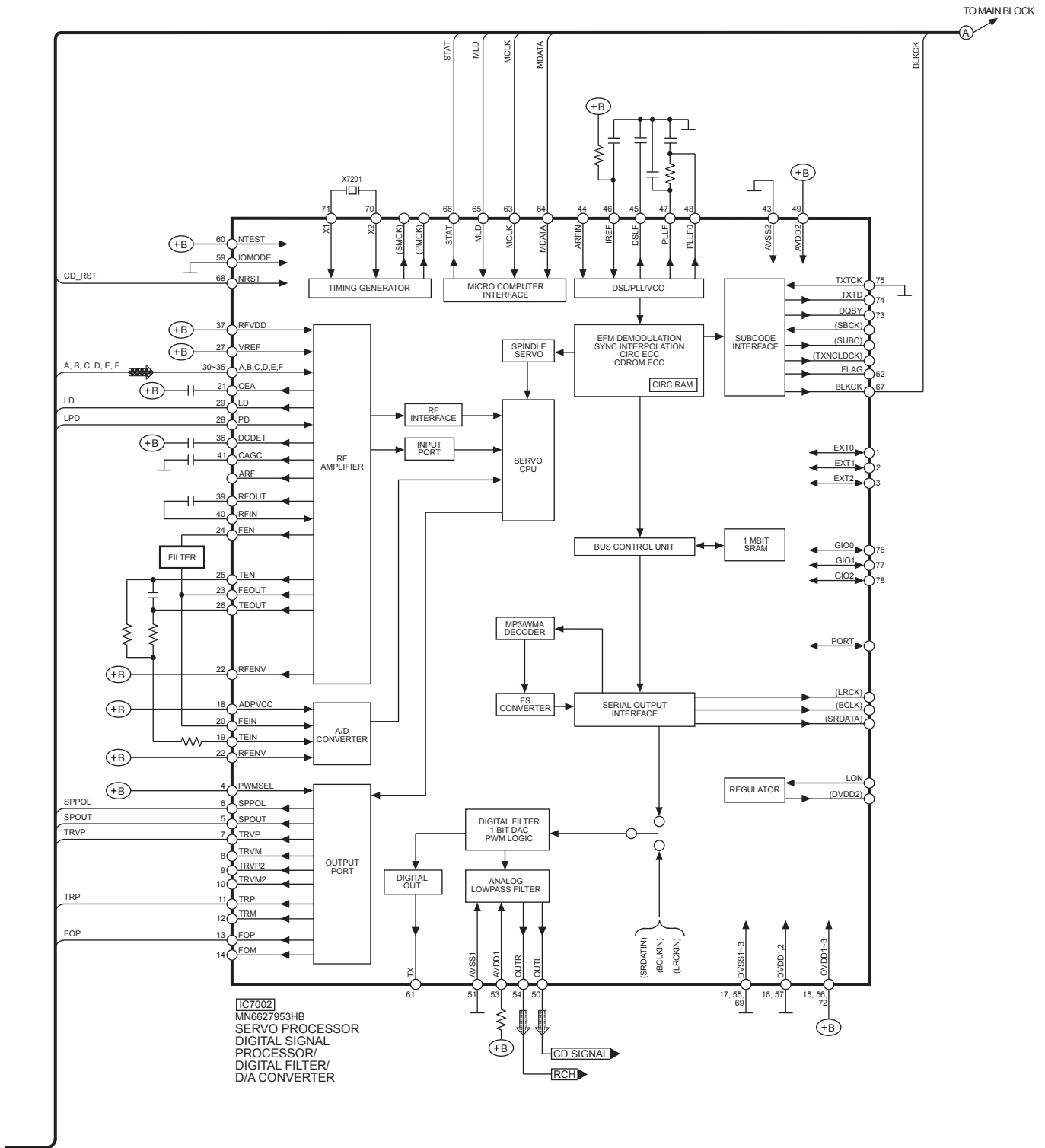
#### Mechansim Error Code Table

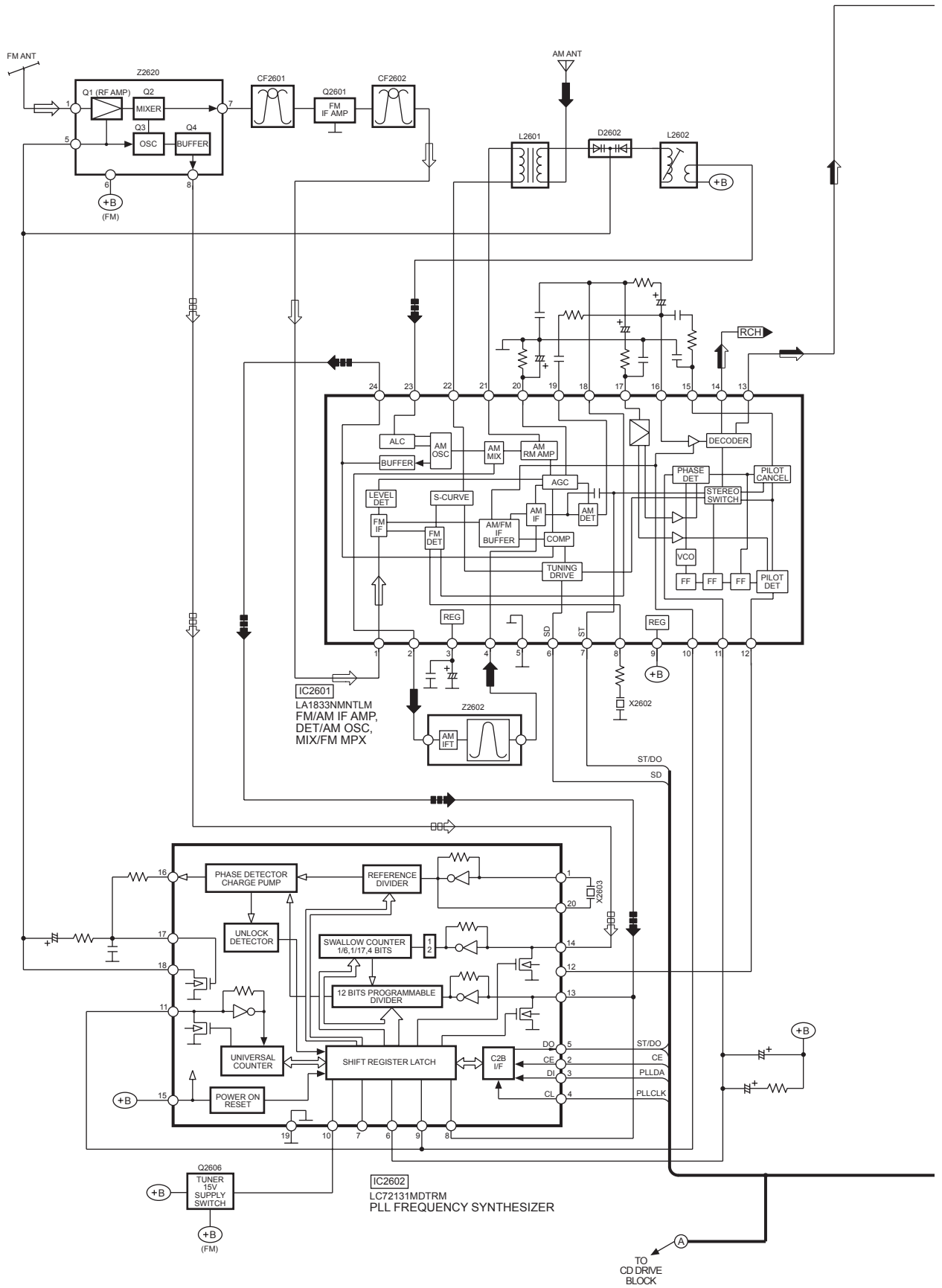
Error Code	Description
M-00	No Error
M-01	OPEN Position - Horizontal Motion Abnormality at play position
M-02	PLAY Position - Horizontal Motion Abnormality at stock position
M-03	PLAY Position - Horizontal Motion Abnormality during changing position
M-04	CHANGE Position - Horizontal Error of Stock position
M-05	CHANGE Position - Ascending motion Error
M-06	CHANGE Position - Descending motion Error
M-07	STOCK Position - Ascending motion Error
M-08	STOCK Position - Descending motion Error
M-09	Abnormality during change position (bottom switch)
M-0A	Clamp Error
M-0B	Access Failure - Access Time of more tha 30 secs (Total time of automatic → Read TOC → Track access)

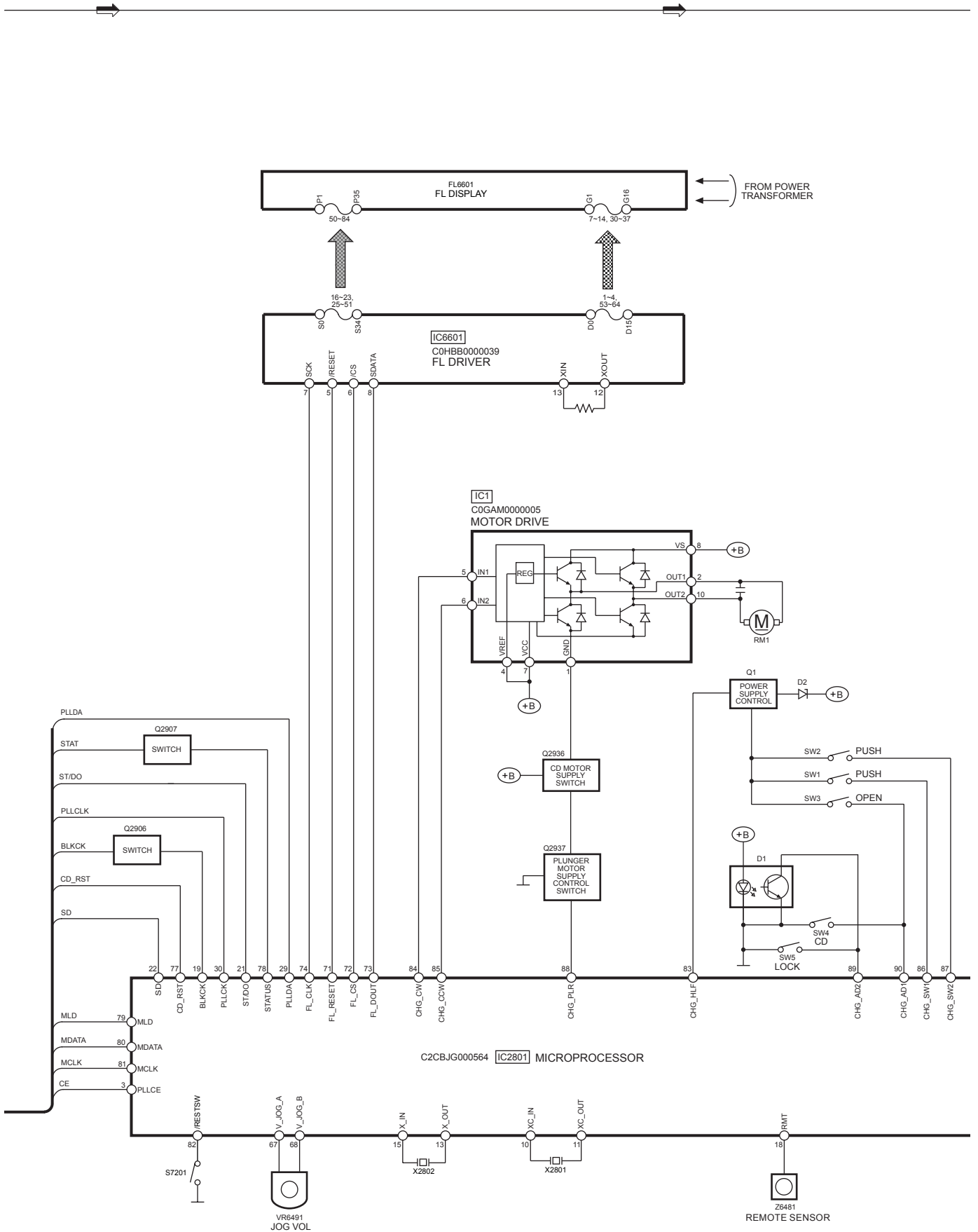
4. When the mechanism unit stops due to error during aging model, error code is remembered and counts of the errors are displayed on the FL display.

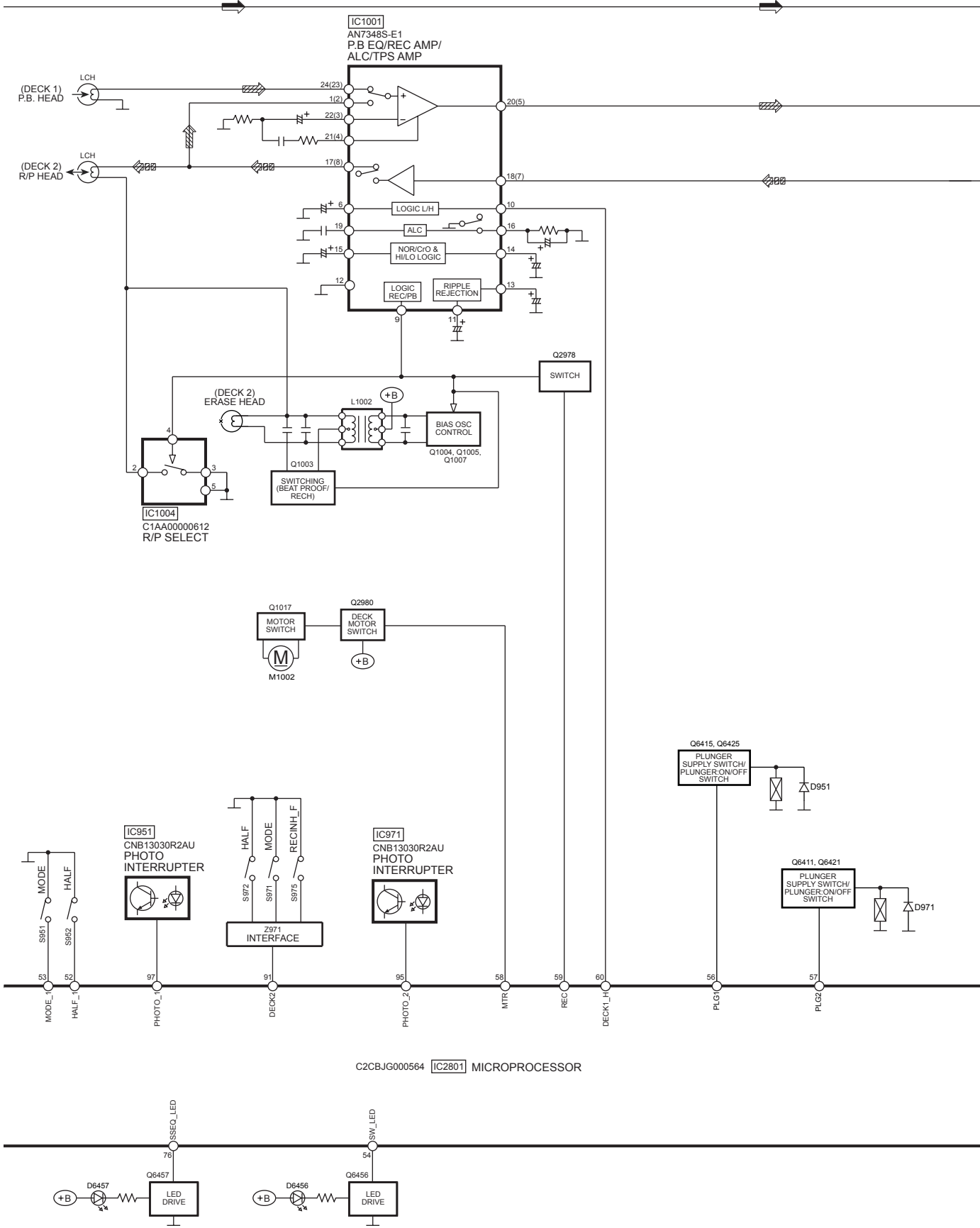
# 14 Block Diagram



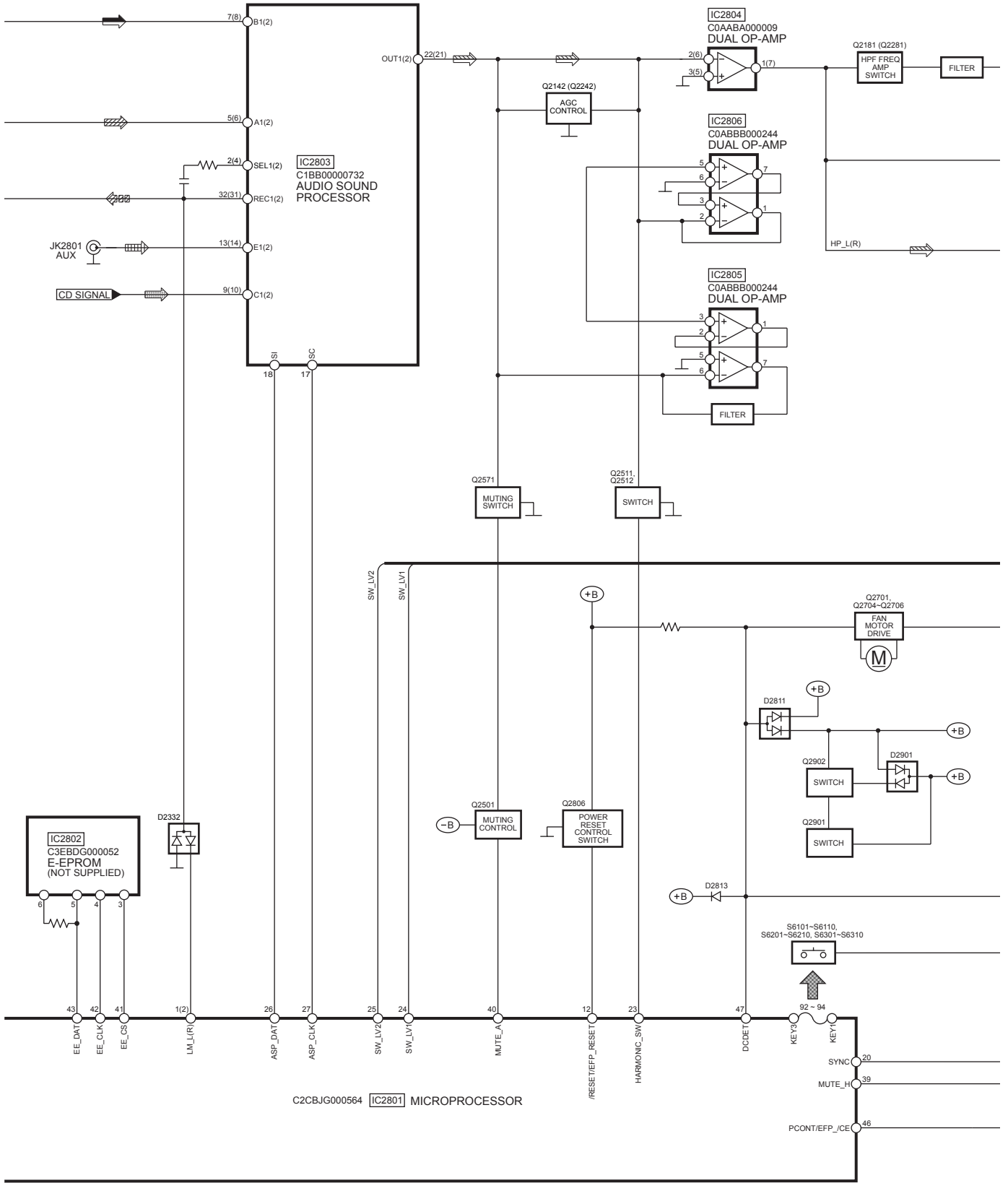


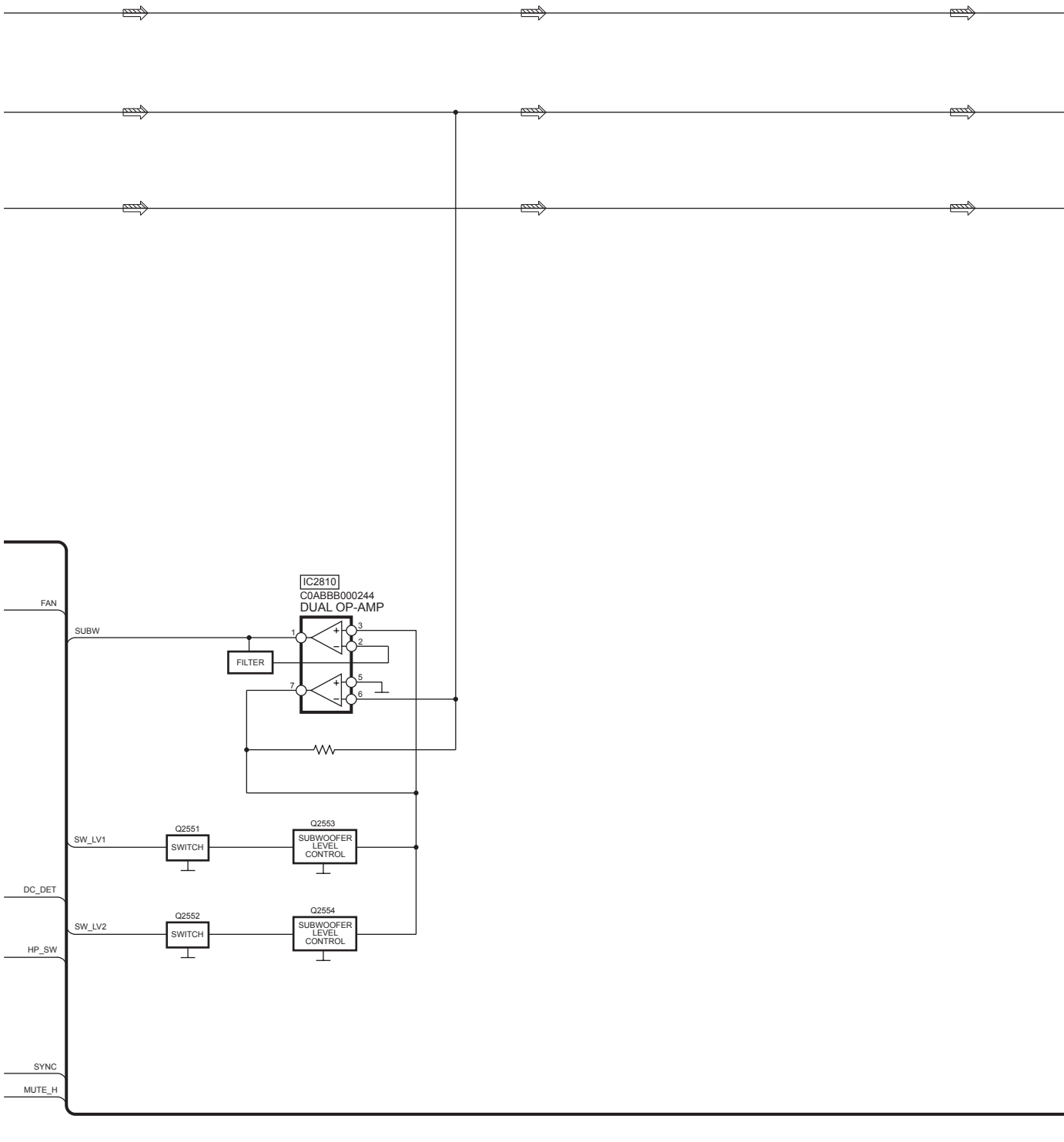


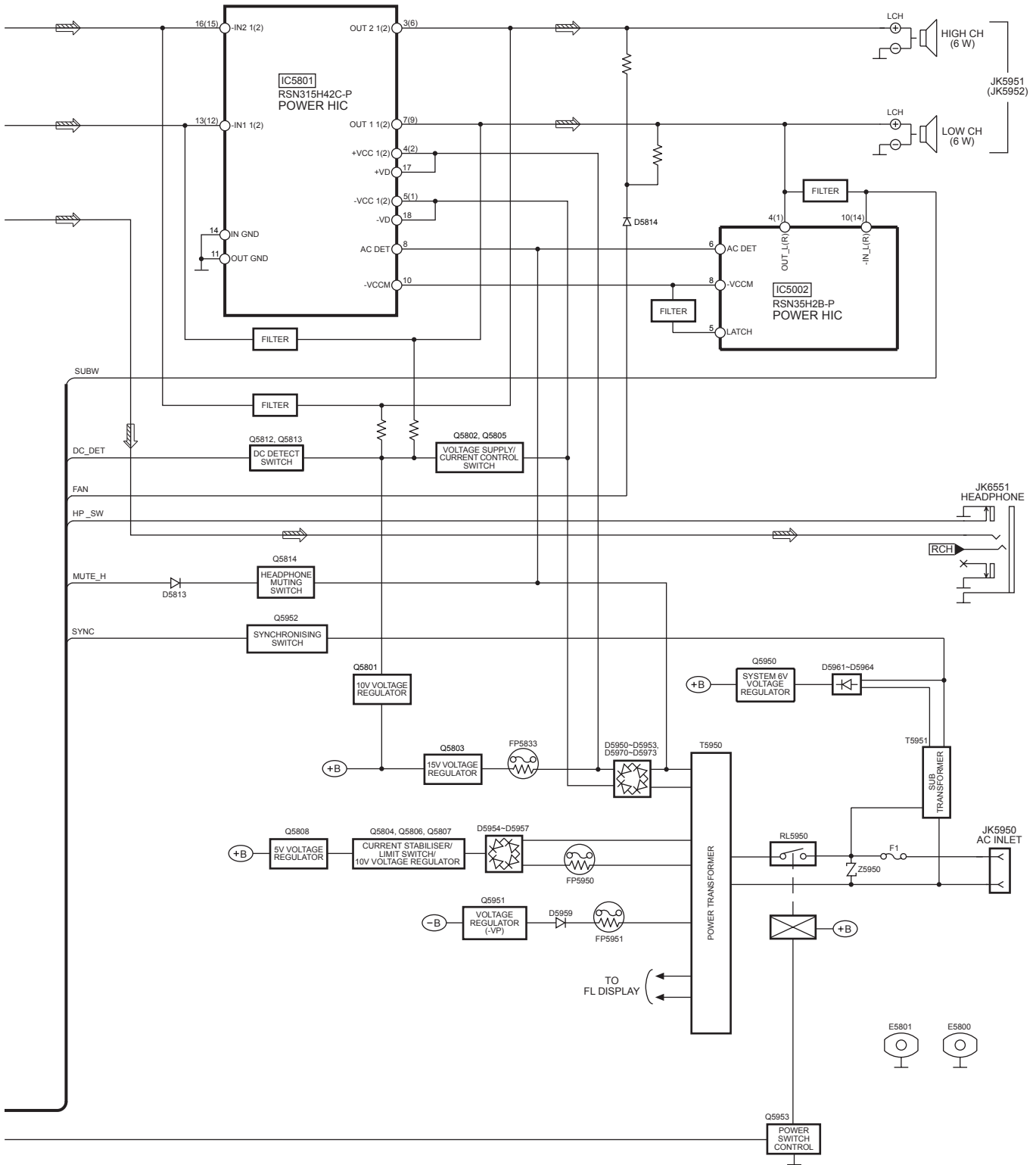












SIGNAL LINES

	: MAIN SIGNAL LINE		: CD SIGNAL LINE		: AM SIGNAL LINE		: PLAYBACK SIGNAL LINE
	: FM OSC SIGNAL LINE		: AM OSC SIGNAL LINE		: FM/AM SIGNAL LINE		: RECORD SIGNAL LINE
	: FM SIGNAL LINE		: AUX SIGNAL LINE		: CD-DA (AUDIO/VIDEO) SIGNAL LINE		

( ) Indicates the Pin No. of Right Channel. NOTE : Signal Lines are applicable to the Left Channel only.

# 15 Voltage Measurement

Main P.C.B.

Ref No.	IC2601																			
MODE	1	2	3	4	5	6	7	8	9	10	11	12	13	14	15	16	17	18	19	20
REC	1.98	5.95	1.99	1.98	0	4.90	5.17	3.82	5.95	0	4.87	3.52	1.604	1.6	1.93	1.99	1.984	2.21	0	0.125
PLAY	1.98	5.95	1.99	1.97	0	4.74	5.15	3.82	5.95	0	4.86	3.52	1.59	1.595	1.93	1.989	1.981	2.20	0	0.125
STOP	1.99	5.96	1.99	1.98	0	4.92	5.17	3.83	5.95	0	4.87	3.52	1.59	1.6	1.93	1.99	1.981	2.20	0	0.125

Ref No.	IC2601																			
MODE	21	22	23	24																
REC	2.357	2.357	5.95	4.57																
PLAY	2.35	2.35	5.95	4.56																
STOP	2.35	2.35	5.95	4.57																

Ref No.	IC2602																			
MODE	1	2	3	4	5	6	7	8	9	10	11	12	13	14	15	16	17	18	19	20
REC	2.59	0	0	0	5.18	4.95	0	4.63	0	14.94	0	0	2.59	0	5.19	0	0	14.94	0	2.59
PLAY	2.57	0	0	0	5.16	4.86	0	4.55	0	15.18	0	0	2.59	5.19	5.19	0	0	15.23	0	2.58
STOP	2.57	0	0	0	5.16	4.86	0	4.55	0	15.18	0	0	2.59	5.19	5.19	0	0	15.23	0	2.58

Ref No.	IC2801																			
MODE	1	2	3	4	5	6	7	8	9	10	11	12	13	14	15	16	17	18	19	20
REC	0	0	0	0	0	0	0	0	0	0.669	0.69	5.25	2.68	0	2.6	0	0	5.25	3.1	5.20
PLAY	0	0	0	0	0	0	0	0	0	0.67	0.68	5.25	2.68	0	2.6	0	0	5.224	3.1	5.20
STOP	0	0	0	0	0	0	0	0	0	0.67	0.67	5.25	2.68	0	2.62	0	0	5.224	3.1	5.20

Ref No.	IC2801																			
MODE	21	22	23	24	25	26	27	28	29	30	31	32	33	34	35	36	37	38	39	40
REC	4.95	0	0	0	0	0	5.28	0	0	0	0	0	0	0	0	0	0	0	0	0
PLAY	4.95	0	0	0	0	0	5.26	0	0	0	0	0	0	0	0	0	0	0	0	0
STOP	4.95	0	0	0	0	0	5.26	0	0	0	0	0	0	0	0	0	0	5.224	0	0

Ref No.	IC2801																			
MODE	41	42	43	44	45	46	47	48	49	50	51	52	53	54	55	56	57	58	59	60
REC	0	0	0	0	0	5.18	5.16	0	0	0	0	0	4.79	0	0	0	0	0	5.25	0
PLAY	0	0	0	0	0	5.17	5.15	0	0	0	0	0	4.78	0	0	0	0	0	5.25	0
STOP	0	0	0	0	0	5.18	5.15	0	0	0	0	0	4.79	0	0	0	0	0	5.25	0

Ref No.	IC2801																			
MODE	61	62	63	64	65	66	67	68	69	70	71	72	73	74	75	76	77	78	79	80
REC	0	5.25	0	0	0	0	0	5.25	0	0	0	3.0	0.3	0	0	0	5.25	3.0	0	0.5
PLAY	0	5.25	0	0	0	0	0	5.25	0	0	0	3.0	0.31	0	0	0	5.25	3.0	0	0.5
STOP	0	5.25	0	0	0	0	0	5.25	0	0	0	3.1	0.3	0	0	0	5.25	3.1	0	0.5

Ref No.	IC2801																			
MODE	81	82	83	84	85	86	87	88	89	90	91	92	93	94	95	96	97	98	99	100
REC	4.91	0	0	5.24	5.25	0	0	0	0	3.65	5.25	1.24	5.25	5.23	4.38	0.59	0	5.25	5.25	5.18
PLAY	4.91	0	0	5.25	5.25	0	0	0	0	3.65	5.22	1.24	5.25	5.23	4.38	0.58	0	5.25	5.26	5.18
STOP	4.92	0	0	5.25	5.25	0	0	0	0	3.65	5.24	1.24	5.25	5.23	4.38	0.59	0	5.25	5.25	5.19

Ref No.	IC2803																			
MODE	1	2	3	4	5	6	7	8	9	10	11	12	13	14	15	16	17	18	19	20
REC	4.52	4.60	4.52	4.60	4.50	4.49	4.49	4.49	4.50	4.50	4.49	4.49	4.49	4.45	4.54	0	5.17	0	9.03	3.38
PLAY	4.52	4.60	4.50	4.61	4.52	4.50	4.50	4.50	4.50	4.50	4.50	4.50	4.50	4.50	4.54	0	5.20	0	9.02	3.38
STOP	0	5.27	0	0	0	0	0	0												

Ref No.	IC2803																			
MODE	21	22	23	24	25	26	27	28	29	30	31	32								
REC	4.54	4.54	4.54	4.52	4.52	4.51	4.54	4.53	4.54	4.53	4.54	4.55								
PLAY	4.54	4.55	4.55	4.53	4.52	4.51	4.54	4.53	4.54	4.54	4.54	4.55								
STOP	4.54	4.55	4.55	4.53	4.52	4.57	4.54	4.53	4.54	4.54	4.54	4.55								

Ref No.	IC2805															
MODE	1	2	3	4	5	6	7	8								
REC	0	0	0	-8.89	0	0	0	9.03								
PLAY	0	0	0	-8.90	0	0	0	9.03								
STOP	0	0	0	-8.90	0	0	0	9.05								

Ref No.	IC2806															
MODE	1	2	3	4	5	6	7	8								
REC	0	0	0	0	0	0	0	9.05								
PLAY	0	0	0	0	0	0	0	9.04								
STOP	0	0	0	0	0	0	0	9.05								

**Main P.C.B.**

Ref No.	Q2601			Q2606			Q2701			Q2901			Q2902		
MODE	E/S	C/D	B/G	E/S	C/D	B/G	E/S	C/D	B/G	E/S	C/D	B/G	E/S	C/D	B/G
REC	0	0	0	14.79	0	14.79	-8.92	-8.84	-8.18	5.54	3.28	6.5	2.98	5.56	2.4
PLAY	0	0	0	15.17	0	15.20	-8.92	-8.81	-8.17	5.60	3.29	6.24	3.02	5.58	2.48
STOP	0	0	0	15.26	0	15.22	-8.96	4.78	-8.95	7.08	3.3	7.65	3.04	7.08	2.5

**Main P.C.B.**

Ref No.	Q2936														
MODE	E/S	C/D	B/G												
PLAY	9.92	0	9.94												
PLAY	9.95	0	9.95												
STOP	9.99	0	9.99												

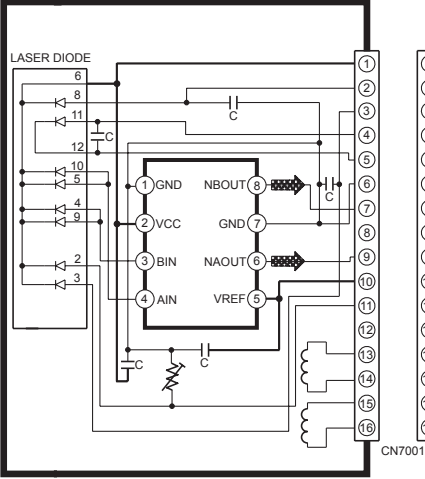
**Transformer P.C.B.**

Ref No.	Q5950			Q5951			Q5952			Q5953					
MODE	E/S	C/D	B/G	E/S	C/D	B/G	E/S	C/D	B/G	E/S	C/D	B/G			
REC	5.98	10.12	6.60	-25.86	-29.20	-26.50	-8.92	-8.84	-8.18	0	0.13	0.8			
PLAY	5.99	10.30	6.59	-25.85	-29.22	-26.50	-8.92	-8.81	-8.17	0	0.13	0.8			
STOP	5.99	10.25	6.59	-25.85	-29.22	-26.50	-8.96	4.78	-8.95	0	0.13	0.8			

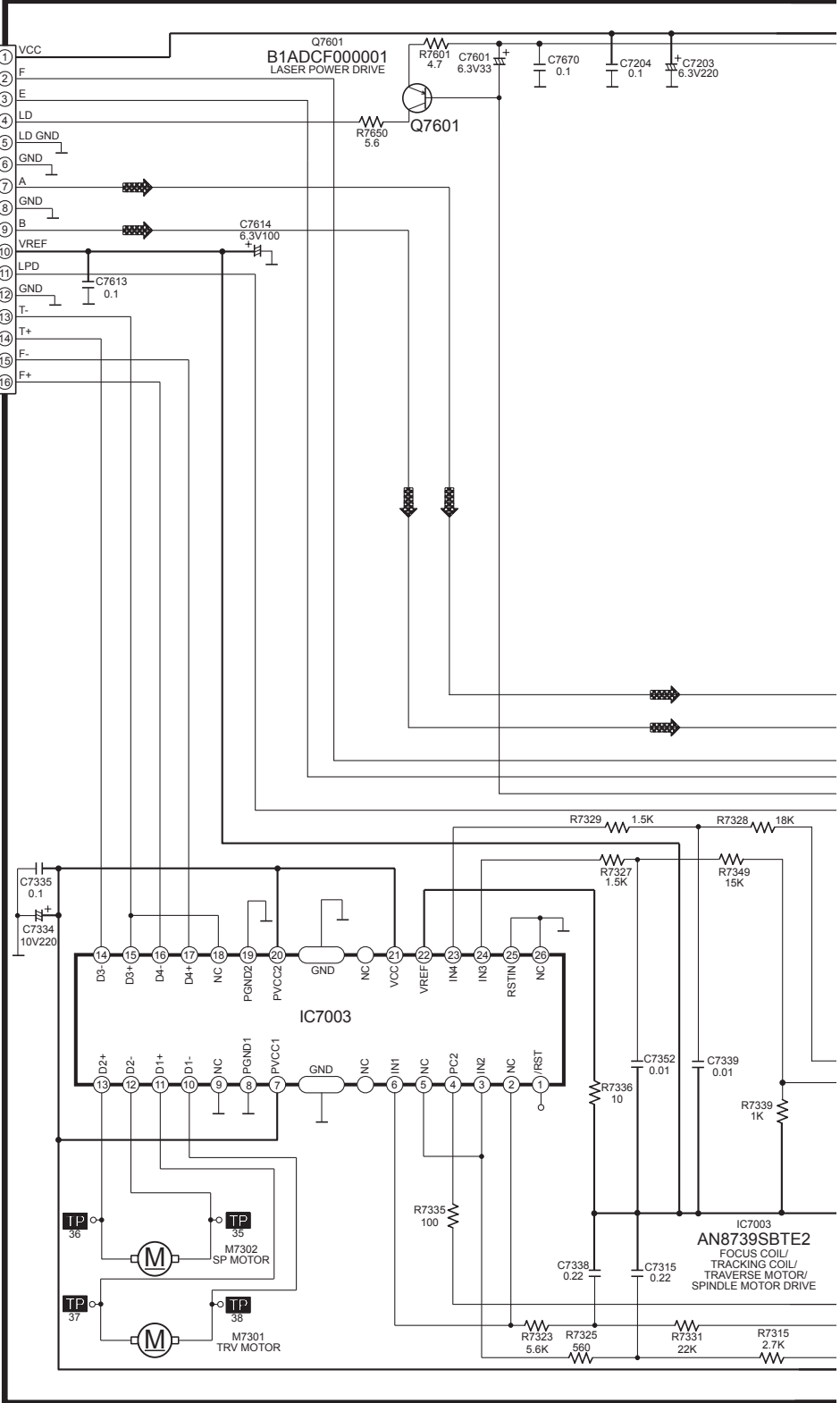
# 16.1. (A) CD Servo Circuit

SCHEMATIC DIAGRAM - 1

## OPTICAL PICKUP CIRCUIT



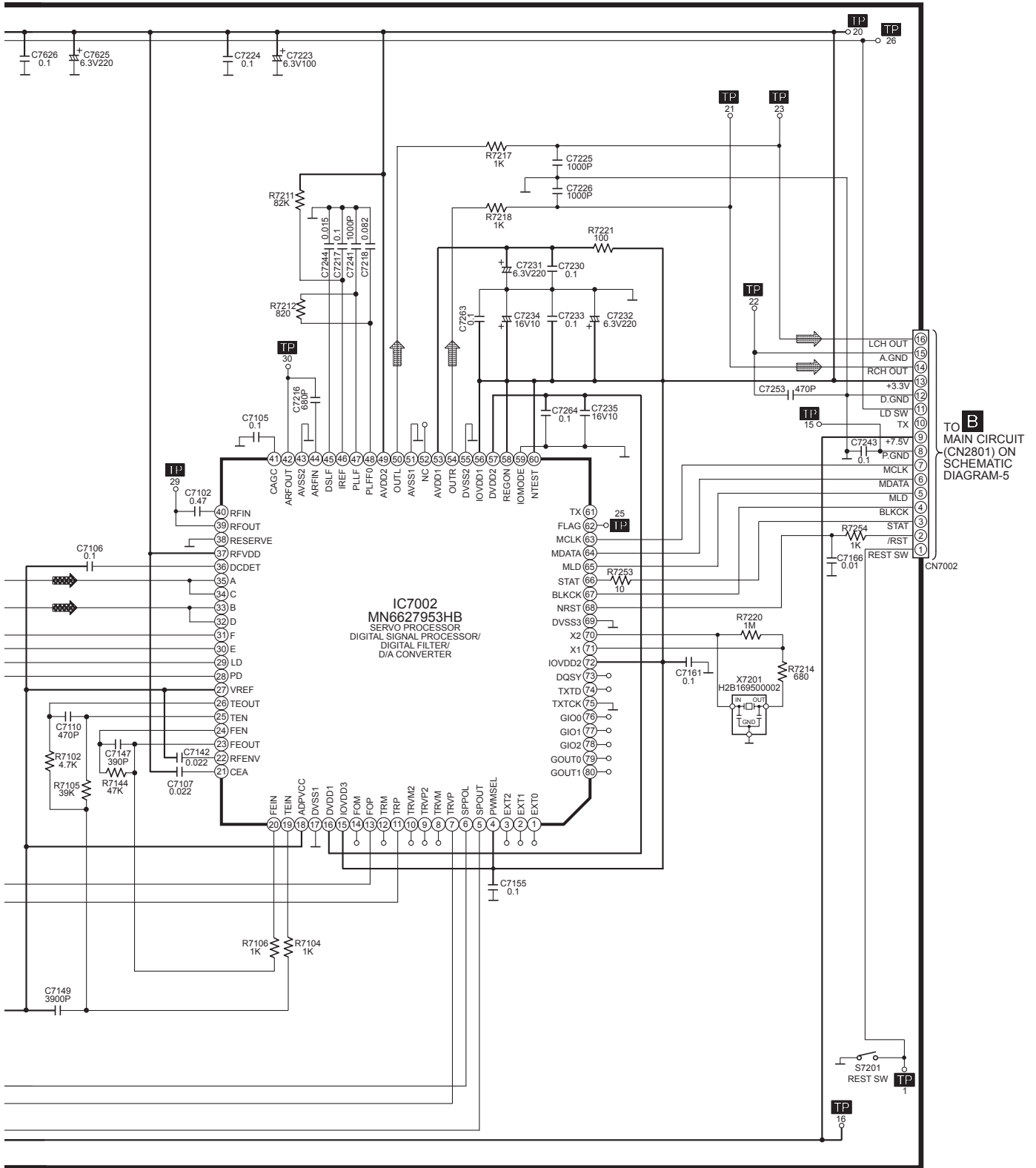
## A CD SERVO CIRCUIT



SCHMATIC DIAGRAM - 2

**A** CD SERVO CIRCUIT

— : +B SIGNAL LINE     : CD-DA SIGNAL LINE     : CD SIGNAL LINE

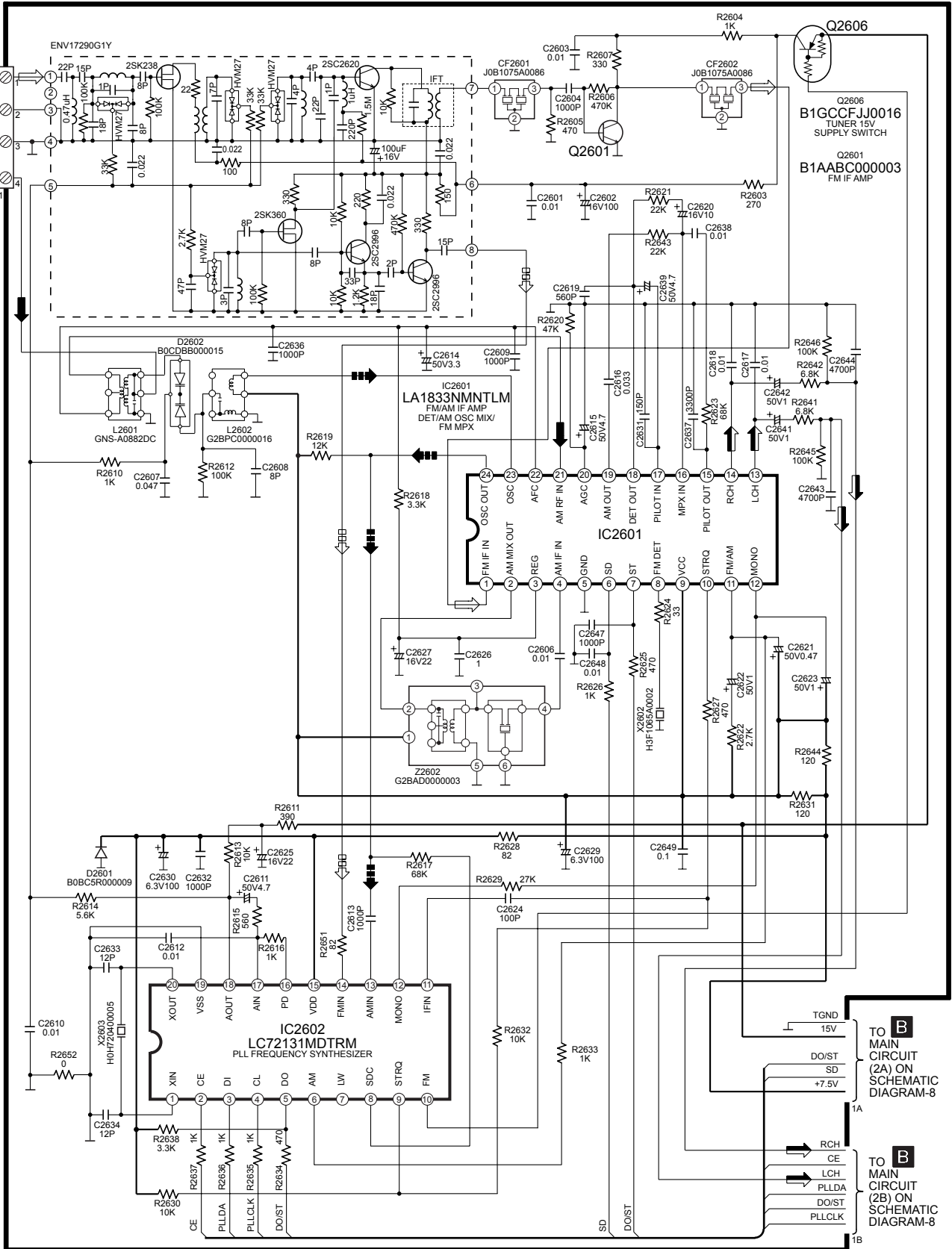


# 16.2. (B) Main (Tuner) Circuit

SCHEMATIC DIAGRAM - 3

## B MAIN (TUNER) CIRCUIT

: +B SIGNAL LINE  
 : FM SIGNAL LINE  
 : AM SIGNAL LINE  
 : FM/AM SIGNAL LINE  
 : FM OSC SIGNAL LINE  
 : AM OSC SIGNAL LINE



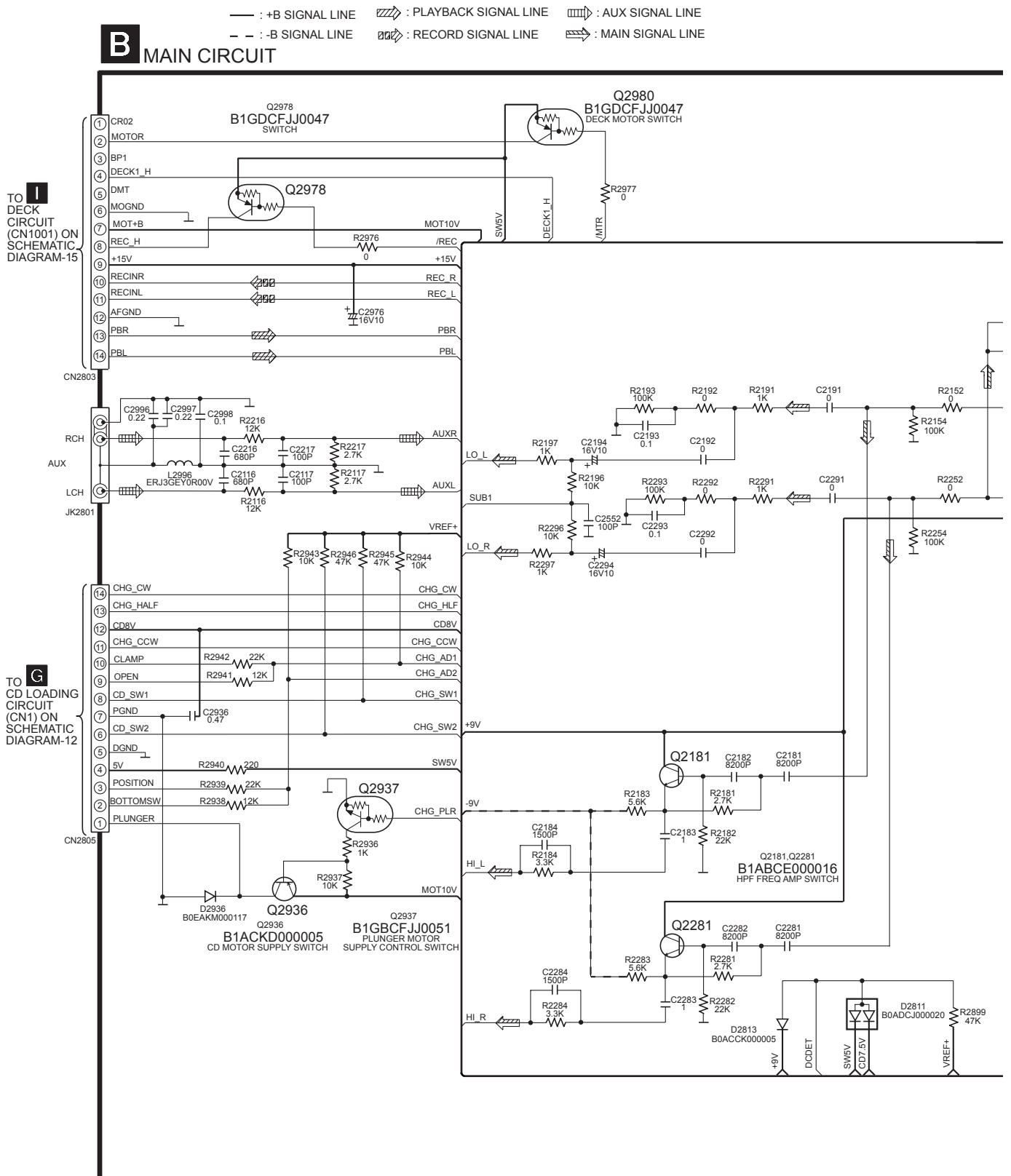
TO MAIN CIRCUIT (2A) ON SCHEMATIC DIAGRAM-8

TO MAIN CIRCUIT (2B) ON SCHEMATIC DIAGRAM-8



## 16.3. (B) Main Circuit

SCHEMATIC DIAGRAM - 4



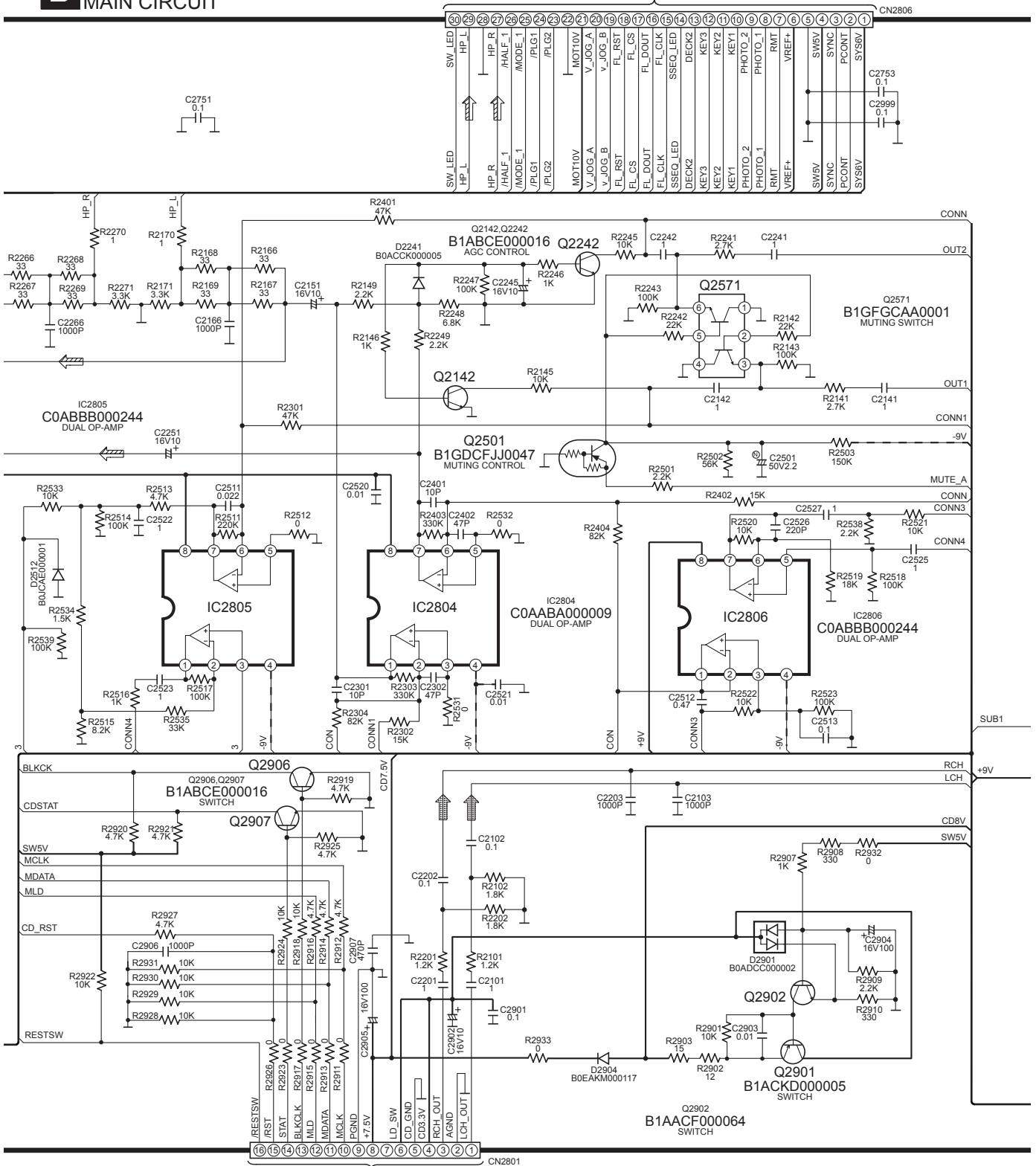
SCHEMATIC DIAGRAM - 5

— : +B SIGNAL LINE  
 - - : -B SIGNAL LINE

⇨ : CD SIGNAL LINE  
 ⇨ : MAIN SIGNAL LINE

TO **C**  
 PANEL CIRCUIT  
 (CN601) ON  
 SCHEMATIC DIAGRAM-10

**B** MAIN CIRCUIT



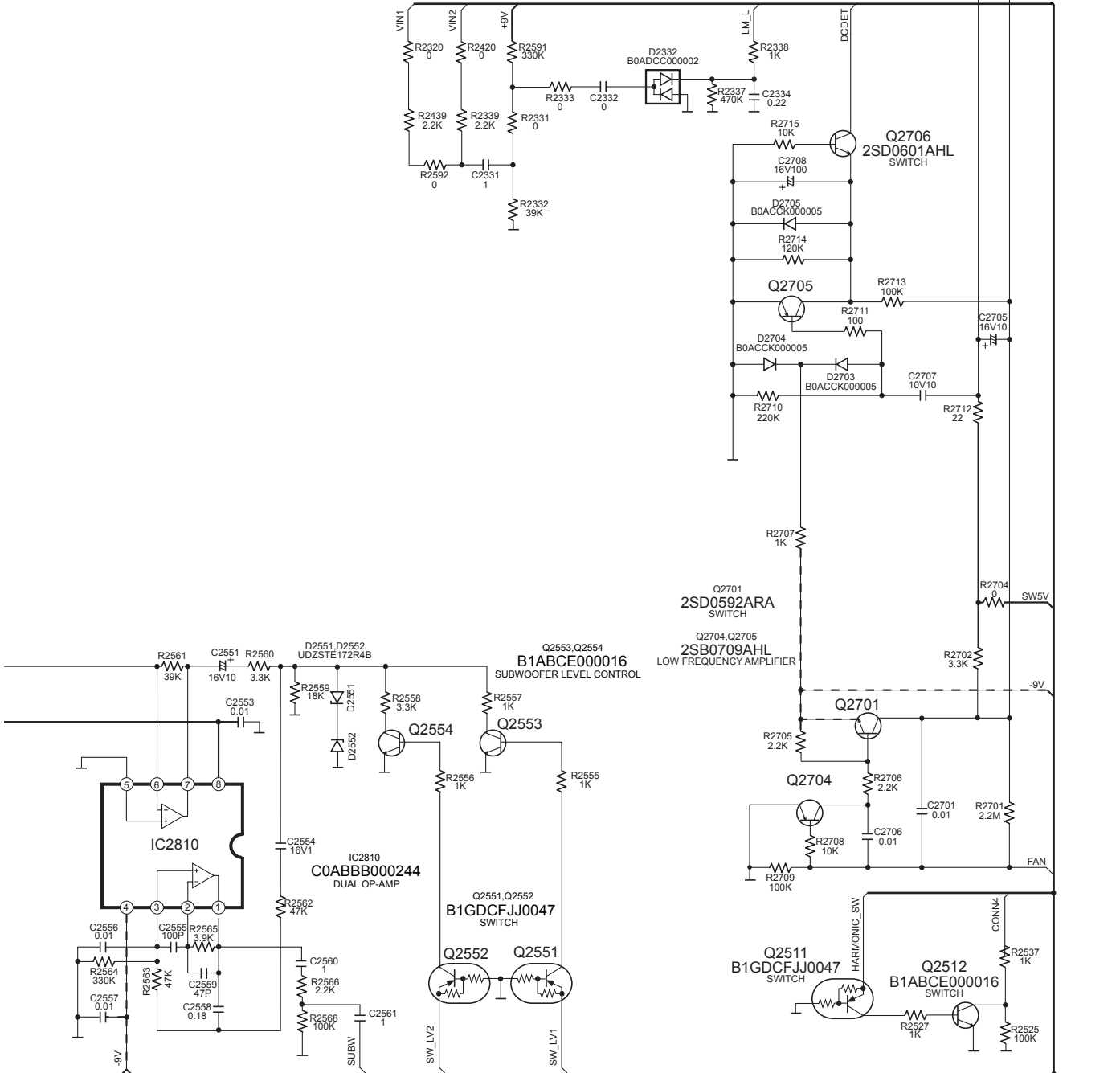
TO **A**  
 CD SERVO CIRCUIT  
 (CN7002) ON  
 SCHEMATIC DIAGRAM-2

SCHEMATIC DIAGRAM - 6

**B** MAIN CIRCUIT

— : +B SIGNAL LINE    - - - : -B SIGNAL LINE

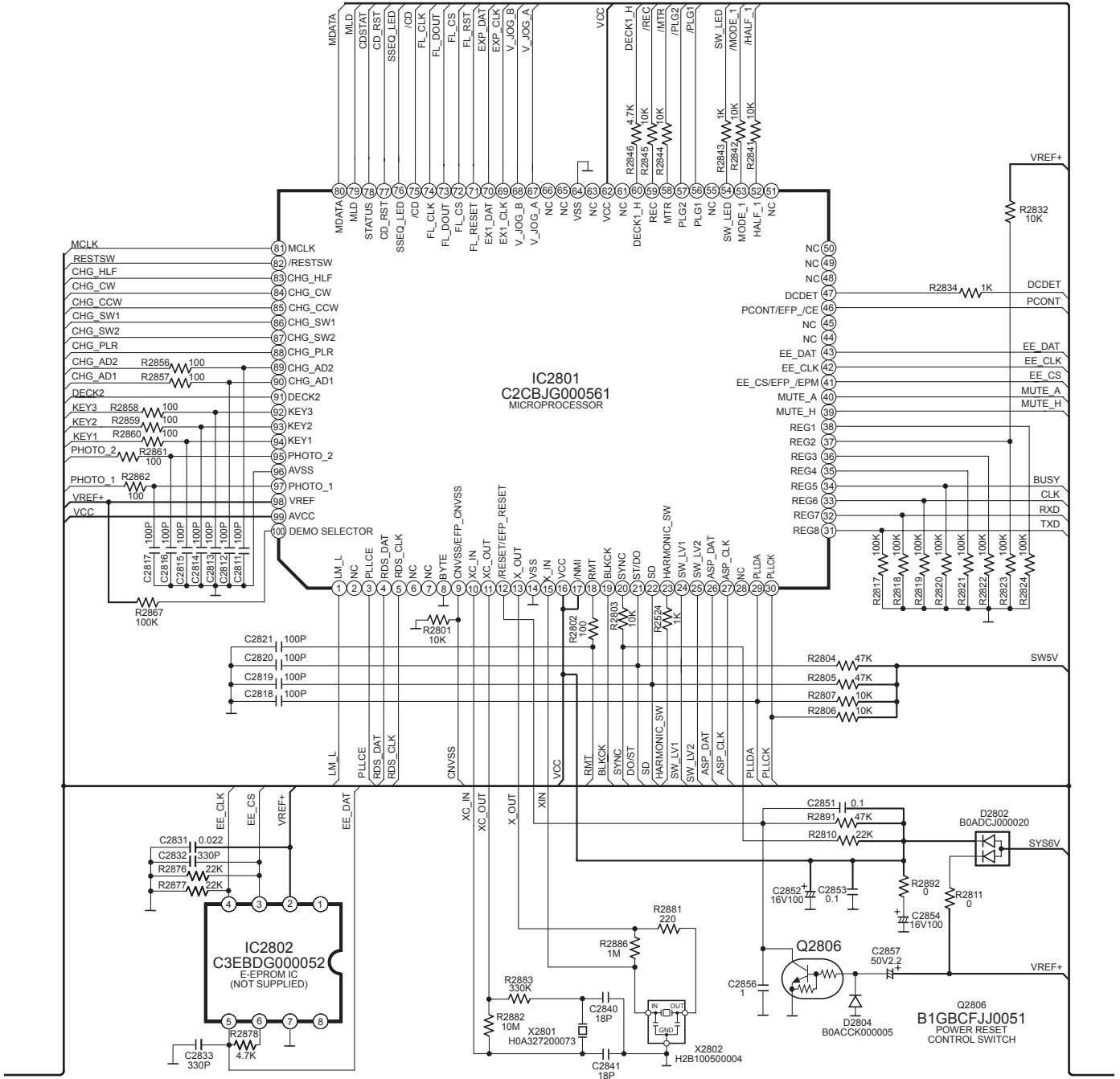
TO FAN UNIT  
CN2810



SCHEMATIC DIAGRAM - 7

**B** MAIN CIRCUIT

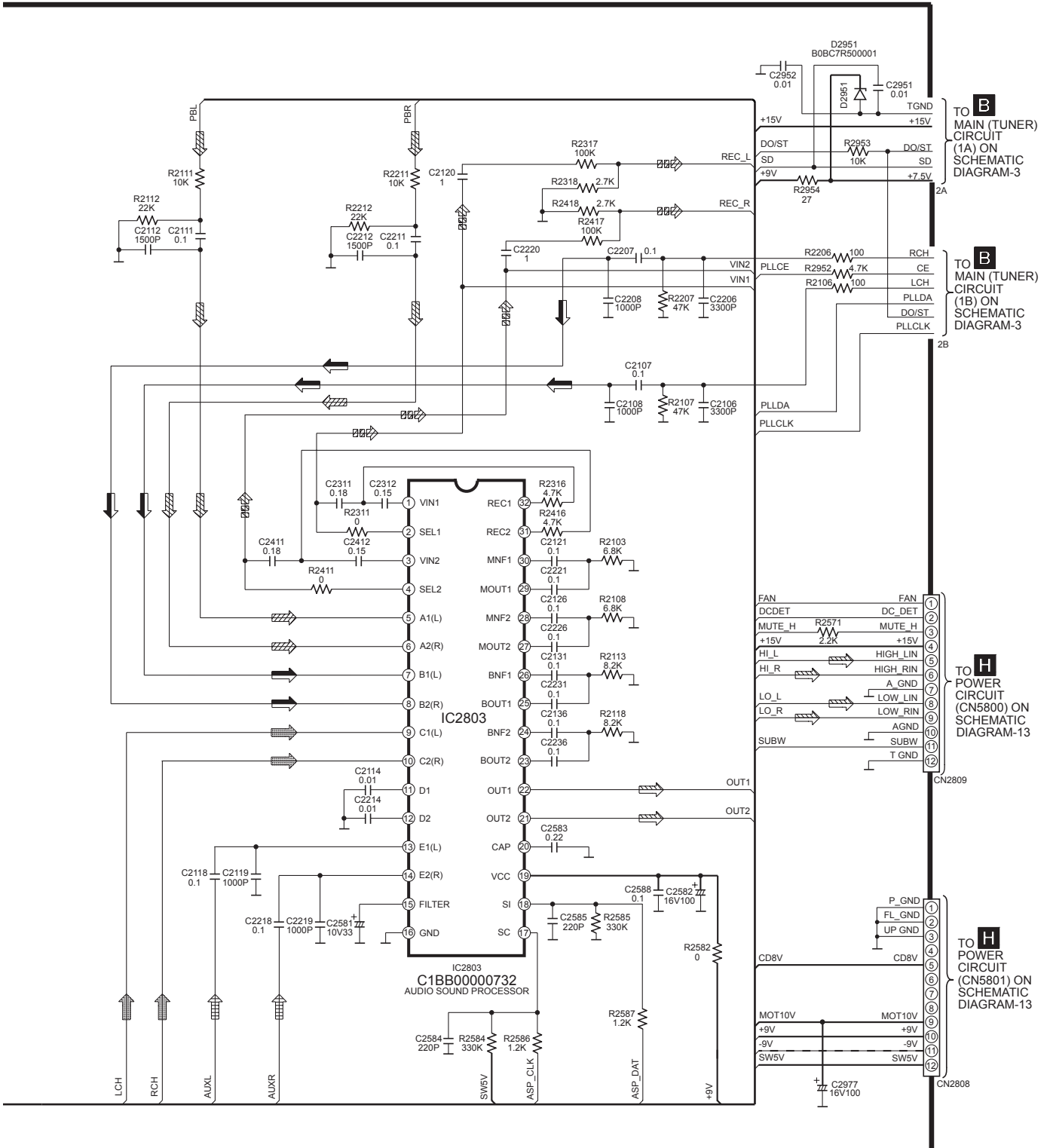
— : +B SIGNAL LINE



SCHEMATIC DIAGRAM - 8

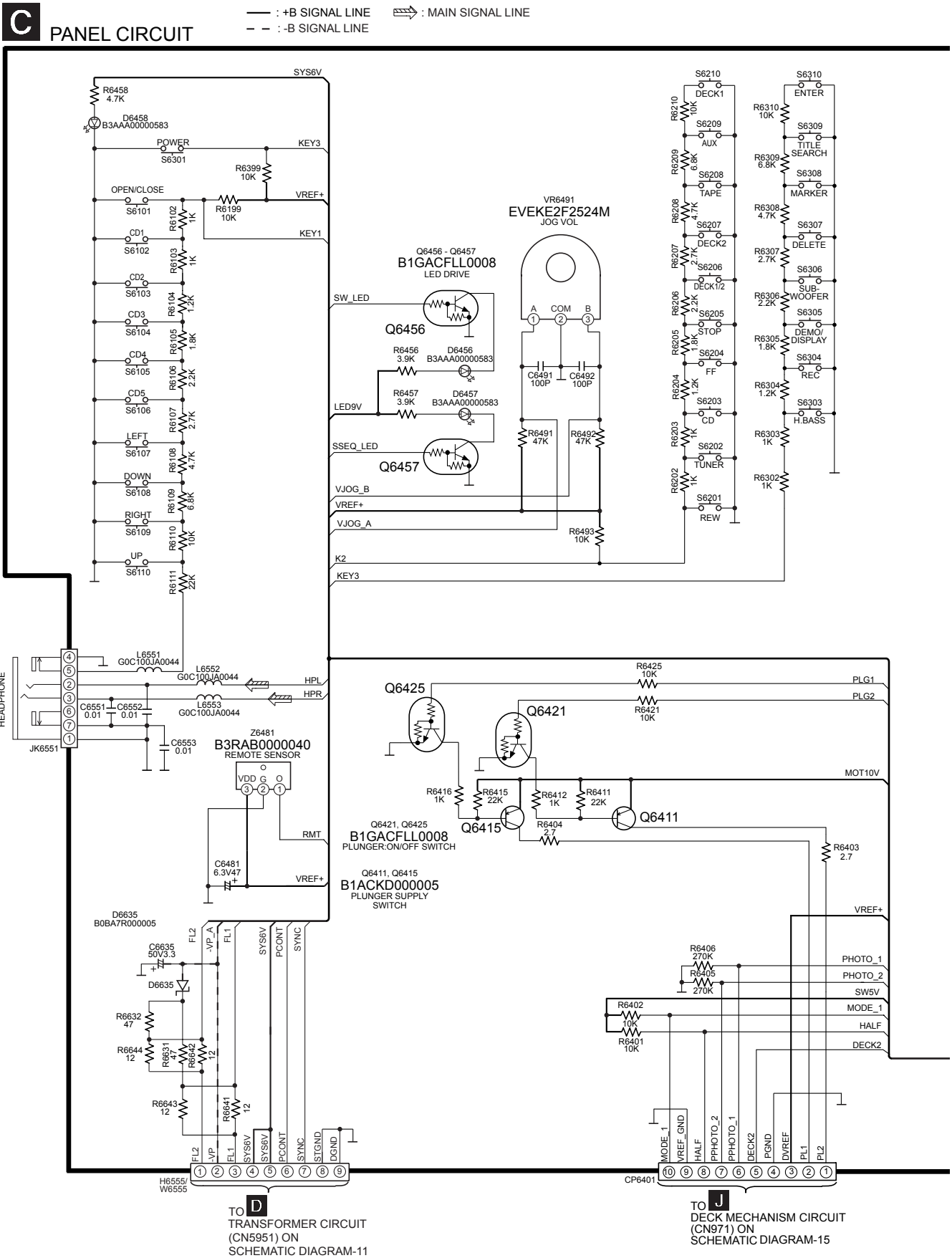
**B** MAIN CIRCUIT

- : +B SIGNAL LINE
- - : -B SIGNAL LINE
- : AUX SIGNAL LINE
- : CD SIGNAL LINE
- : FM/AM SIGNAL LINE
- : MAIN SIGNAL LINE
- : PLAYBACK SIGNAL LINE
- : RECORD SIGNAL LINE



# 16.4. (C) Panel Circuit

SCHEMATIC DIAGRAM - 9

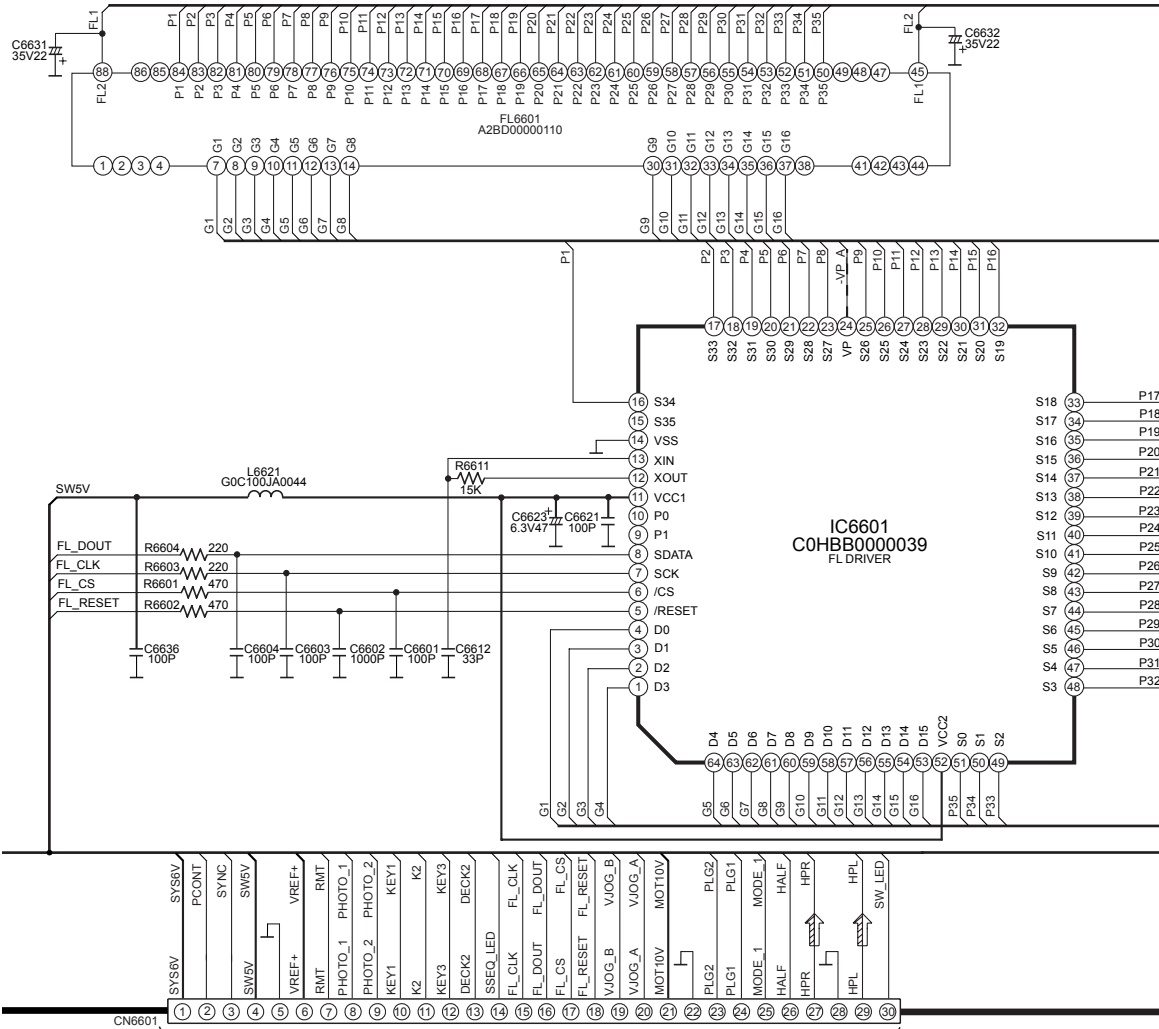


SCHEMATIC DIAGRAM - 10



PANEL CIRCUIT

— : +B SIGNAL LINE    - - : -B SIGNAL LINE    ⇨ : MAIN SIGNAL LINE

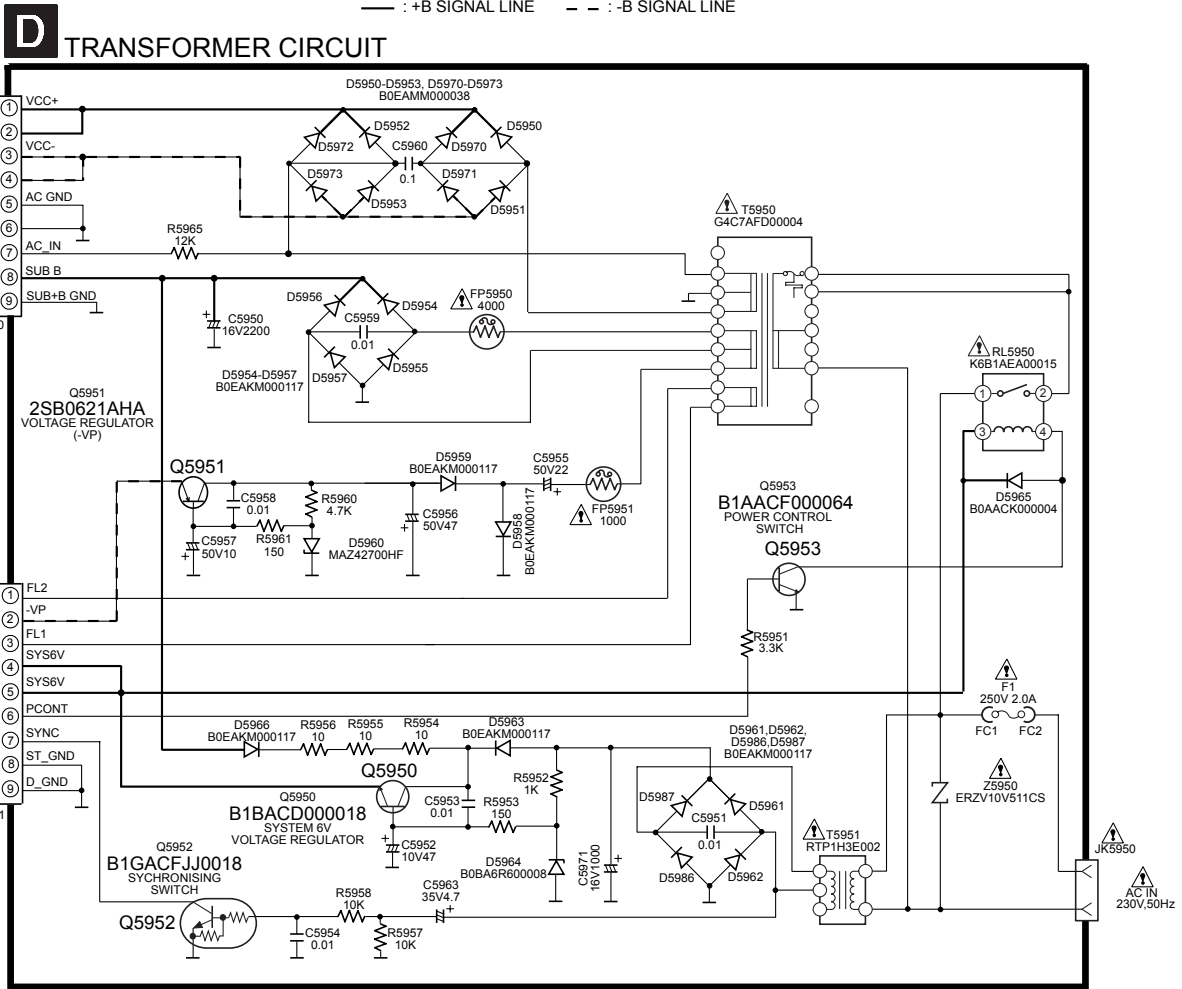


TO **B**  
MAIN CIRCUIT  
(CN2806) ON  
SCHEMATIC  
DIAGRAM-5

# 16.5. (D) Transformer Circuit

SCHEMATIC DIAGRAM - 11

— : +B SIGNAL LINE    - - - : -B SIGNAL LINE

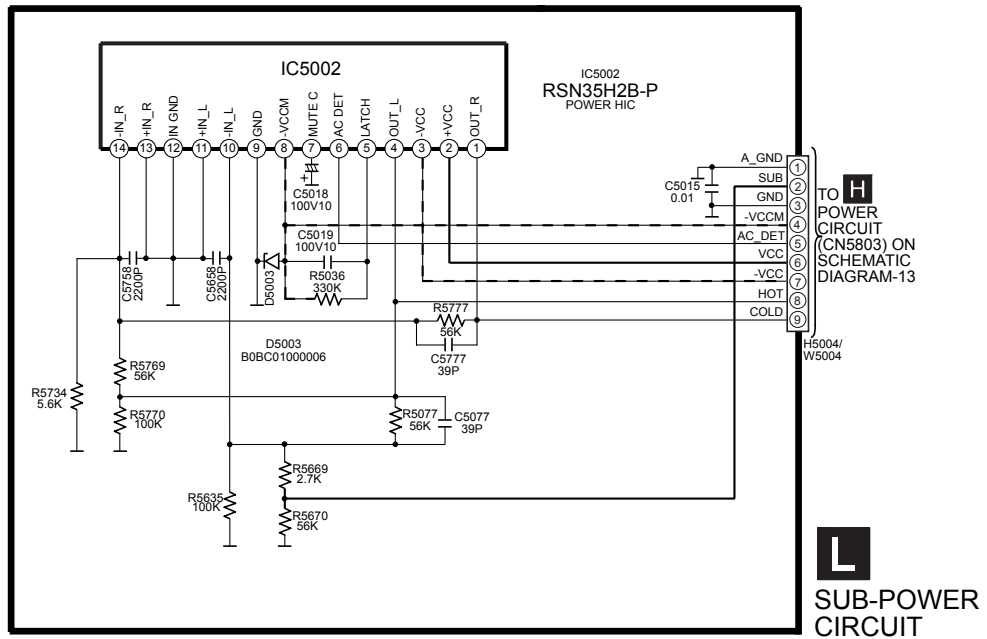
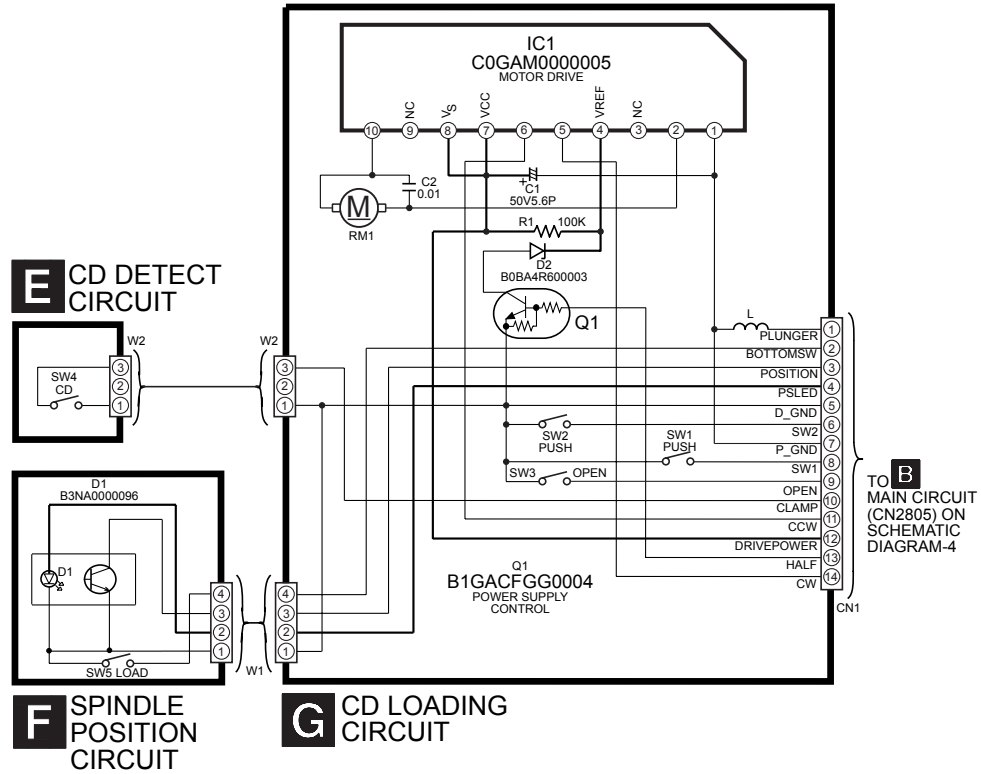




# 16.6. (E) CD Detect Circuit, (F) Spindle Position Circuit, (G) CD Loading Circuit & (L) Sub-Power Circuit

SCHEMATIC DIAGRAM - 12

— : +B SIGNAL LINE    - - - : -B SIGNAL LINE

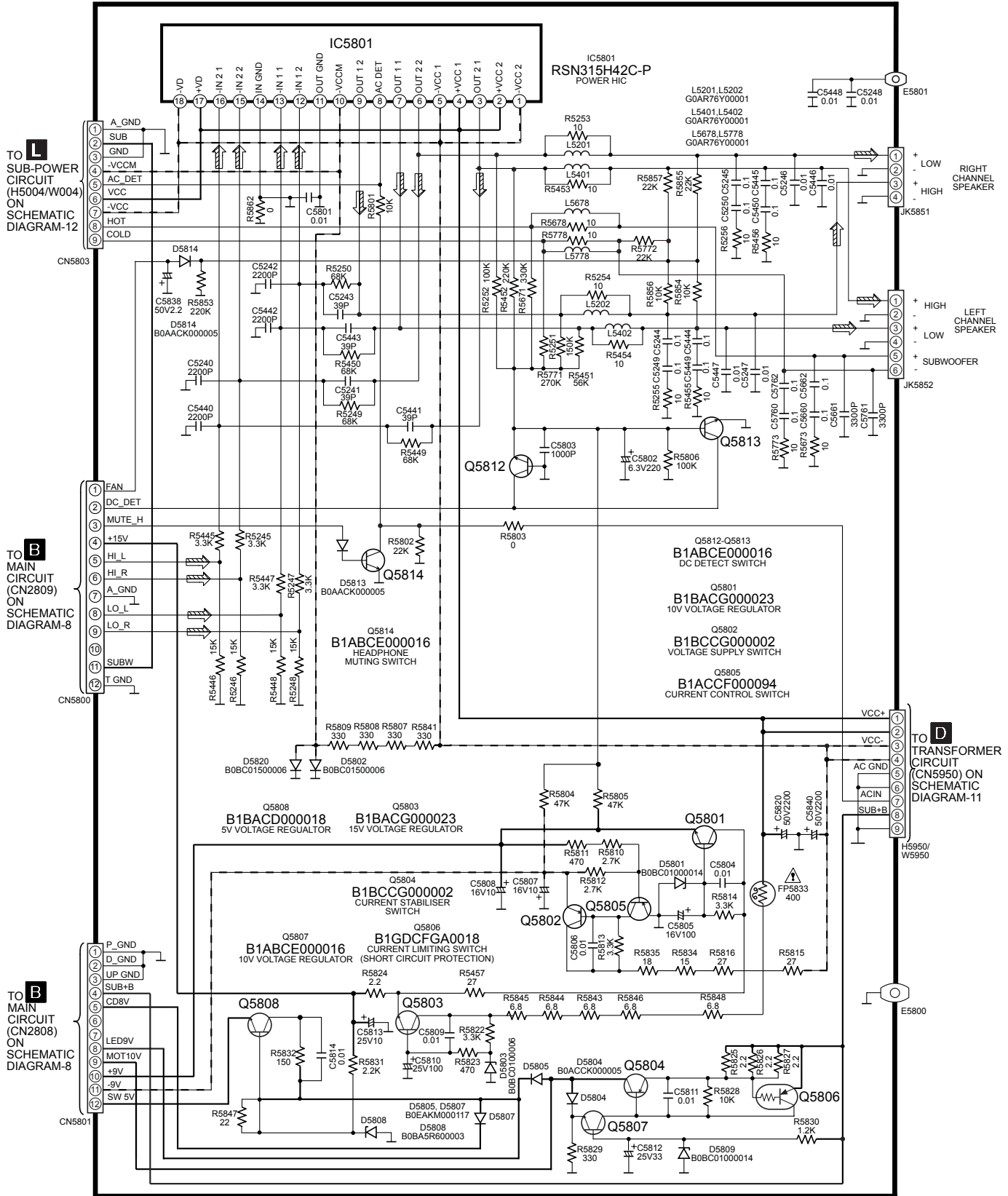


# 16.7. (H) Power Circuit

SCHEMATIC DIAGRAM - 13

## H POWER CIRCUIT

— : +B SIGNAL LINE    - - - : -B SIGNAL LINE    ⇨ : MAIN SIGNAL LINE

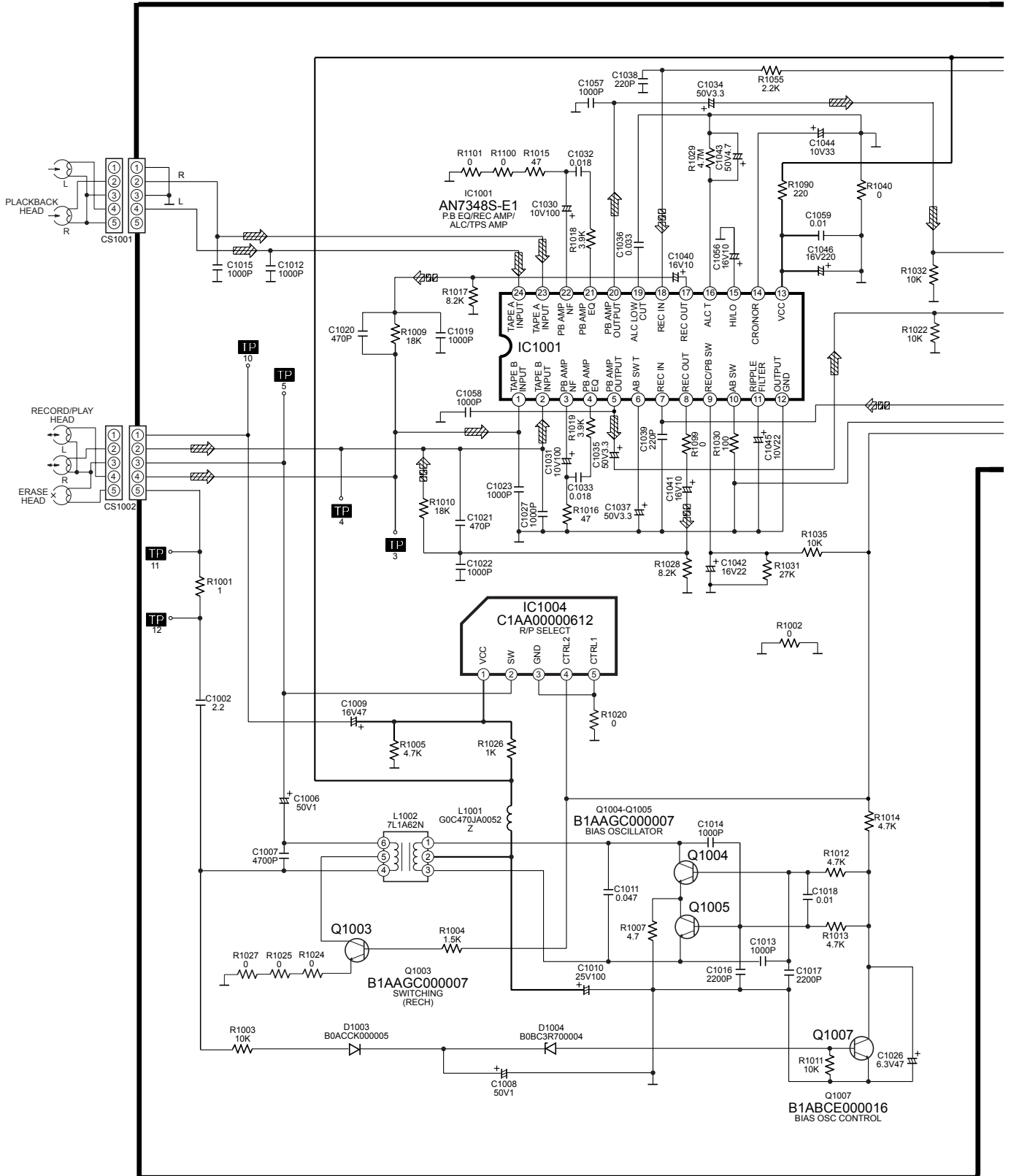


# 16.8. (I) Deck Circuit & (J) Deck Mechanism Circuit

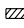
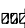
SCHEMATIC DIAGRAM -14

— : +B SIGNAL LINE    ▨ : PLAYBACK SIGNAL LINE  
 ▩ : RECORD SIGNAL LINE

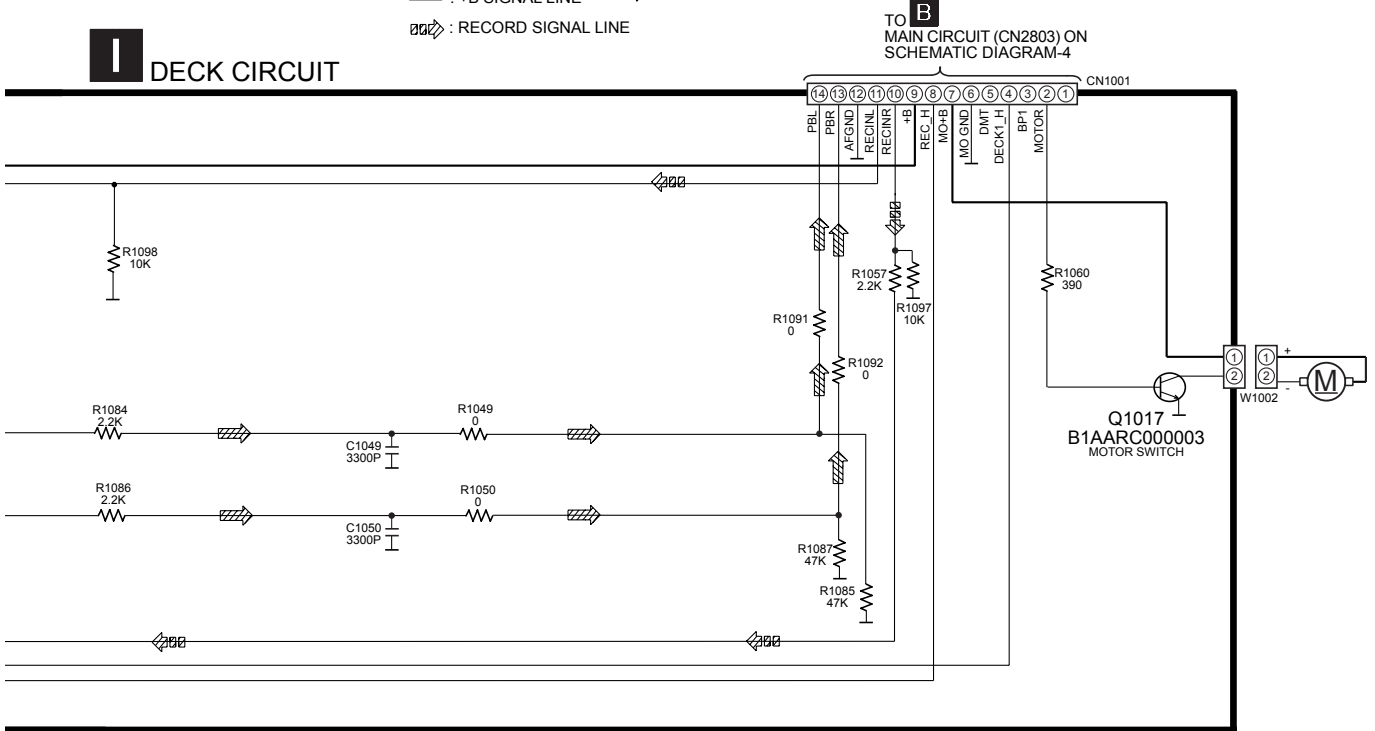
## I DECK CIRCUIT



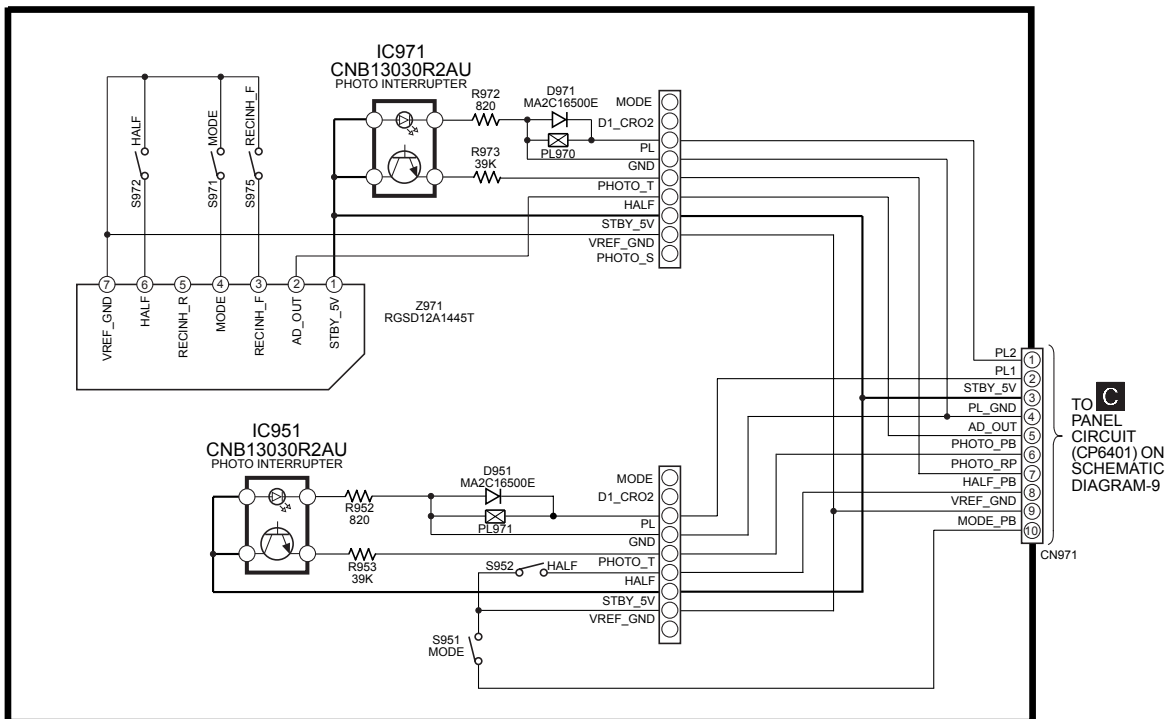
SCHEMATIC DIAGRAM - 15

— : +B SIGNAL LINE     : PLAYBACK SIGNAL LINE  
 : RECORD SIGNAL LINE

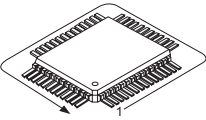
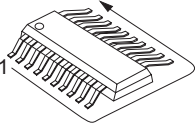
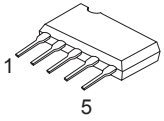
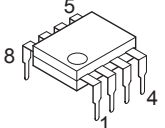
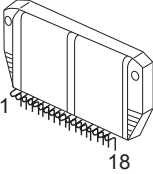
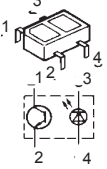
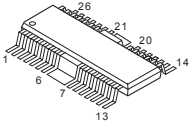
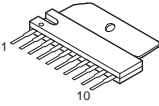
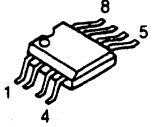
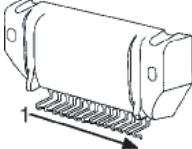
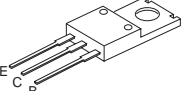
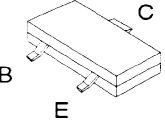
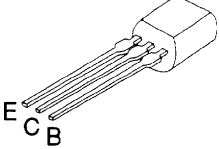
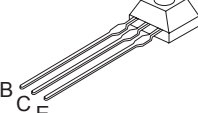
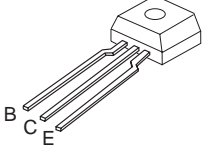
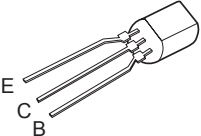
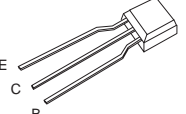
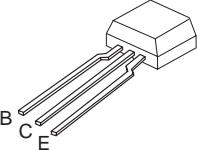
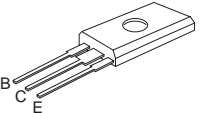
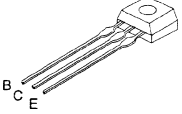
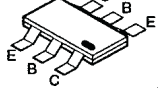
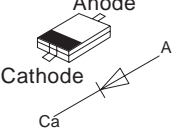
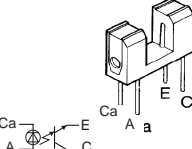
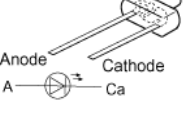
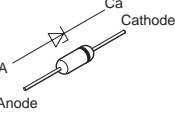
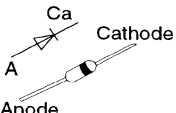
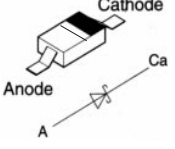
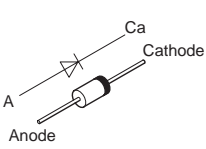
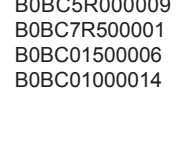
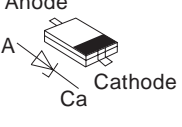
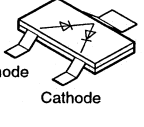
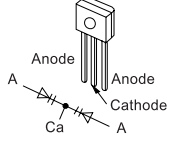
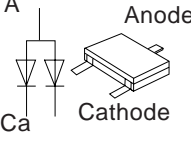
**I** DECK CIRCUIT



**J** DECK MECHANISM CIRCUIT



# 19 Illustration of IC's, Transistors and Diodes

<p>C2CBJG000561 (100P) C0HBBB0000039 (64P) MN6627953HB (80P)</p> 	<p>AN7348S-E1 (24P) LA1833NMNTLM (24P) LC72131MDTRM (20P) C1BB00000732 (32P)</p> 	<p>C1AA00000612</p> 	<p>C0AABA000009</p> 	<p>RSN315H42C-P (18P)</p> 	
<p>CNB13030R2AU</p> 	<p>AN8739SBTE2</p> 	<p>C0GAM0000005</p> 	<p>C0ABBB000244</p> 	<p>RSN35H2B-P (14P)</p> 	<p>B1BACG000023 B1BCCG000002</p> 
<p>2SB0709AHL 2SD0601AHL B1ADCF000001 B1ABCE000016 B1GBCFJJ0051 B1GDCFJJ0047 B1GDCFGA0018</p> 	<p>B1ACKD000005 B1AARC000003 B1GCCFJJ0016</p> 	<p>B1GACFLL0008 B1GACFJJ0018</p> 	<p>B1ACCF000094</p> 		
<p>2SB0621AHA 2SD0592ARA</p> 	<p>B1AABC000003</p> 	<p>B1AACF000064</p> 	<p>B1BACD000018</p> 	<p>B1AAGC000007 B1GACFGG0004</p> 	<p>B1GFGCAA0001</p> 
<p>B0ACCK000005</p> 	<p>B3NAA0000096</p> 	<p>B3AAA0000583</p> 	<p>B0BA03100002 B0BA4R600003 B0BA7R000005</p> 	<p>B0AACK000004 MA2C16500E</p> 	<p>RB751V-40</p> 
<p>B0EAMM000038 B0EAKM000117</p> 	<p>B0BA6R600008 B0BC3R700004 B0BC5R000009 B0BC7R500001 B0BC01500006 B0BC01000014</p> 	<p>B0BC2R4A0006 B0BC5R600003</p> 	<p>B0ADCC000002</p> 	<p>B0CDBB000015</p> 	<p>B0ADCJ000020</p> 

## 20 Terminal Function of IC's

### 20.1. IC7002 (MN6627953HB) Servo processor/ Digital signal processor/ Digital filter/ D/A converter

Pin No.	Mark	I/O	Function
1	EXT0	I/O	Extend input/output port 0
2	EXT1	I/O	Extend input/output port 1
3	EXT2	I/O	Extend input/output port 2
4	PWMSEL	I	PWM output selection input (L: Direct; H: Tri-State)
5	SPOUT	O	Spindle driver output signal
6	SPPOL	O	Spindle driver output signal
7	TRVP	O	Spindle driver output signal
8	TRVM	O	Spindle driver output signal
9	TRVP2	O	Traverse driver output signal 2 (+)
10	TRVM2	O	Traverse driver output signal 2 (-)
11	TRP	O	Traverse driver output signal (+)
12	TRM	O	Traverse driver output signal (-)
13	FOP	O	Traverse driver output signal (+)
14	FOM	O	Traverse driver output signal (-)
15	IOVDD3	-	I/O power supply 3
16	DVDD1	-	Power supply 1 for digital circuit
17	DVSS1	-	Digital circuit GND 1
18	ADPVCC	I	Power voltage monitor. Power voltage input
19	TEIN	I	DSP traverse error signal input
20	FEIN	I	DSP focus error signal input
21	CEA	I/O	HPF-Amp capacitance connection terminal
22	RFENV	O	RF envelope signal monitor
23	FEOUT	O	FE Amp output
24	FEN	I	FE Amp reversal input
25	TEN	I	TE Amp reversal input
26	TEOUT	O	TE Amp output
27	VREF	O	VREF output
28	PD	I	APC Amp input
29	LD	O	APC Amp output
30	E	I	Tracking input signal 1
31	F	I	Tracking input signal 2
32	D	I	Tracking input signal 4
33	B	I	Tracking input signal 2
34	C	I	Tracking input signal 3
35	A	I	Focus input signal 1
36	DCDET	I	Detection HPF capacitance terminal
37	RFVDD	-	RF Amp power supply
38	RESERVE	-	AVSS2
39	RFOUT	O	RF Amp output
40	RFIN	I	AGC input
41	CAGC	I/O	AGC control terminal
42	ARFOUT	O	AGC output (Audio RF)
43	AVSS2	-	Analog circuit GND 2
44	ARFIN	I	RF signal input
45	DSLFL	O	DSL loop filter
46	IREF	I	I (current), Reference input
47	PLLFL	O	PLL loop filter
48	PLLFO	O	PLL loop filter

Pin No.	Mark	I/O	Function
49	AVDD2	-	Analog circuit power supply 2
50	OUTL	O	LCH output signal
51	AVSS1	-	Audio output circuit GND 1
52	N.C.	-	No Connection
53	AVDD1	-	Power supply 1 for analog circuit
54	OUTR	O	RCH output signal
55	DVSS2	-	Digital circuit GND 2
56	IOVDD1	-	I/O power supply 1
57	DVDD2	-	Power supply 2 for Digital circuit
58	REGON	I	Laser diode control (H: ON)
59	IOMODE	I	I/O switching setting input
60	NTEST	I	Test mode setting input (H: ON)
61	TX	O	Digital audio interface output
62	FLAG	O	Flag signal output
63	MCLK	I	Micro-P serial command CLK
64	MDATA	I	Micro-P serial command DATA
65	MLD	I	Micro-P serial command LOAD
66	STAT	O	Status signal output
67	BLKCK	O	Subcode block clock
68	NRST	I	LSI reset input (L: RESET)
69	DVSS3	-	Digital circuit GND 3
70	X2	O	Crystal oscillator circuit output
71	X1	I	Crystal oscillator circuit input
72	IOVDD2	I	I/O power supply 2
73	DQSY	O	Pack signal output for CD-Text data
74	TXTD	O	CDText signal output
75	TXTCK	I	External clock signal input for CD-Text register
76	GIO0	I/O	General purpose input/output Terminal 0
77	GIO1	I/O	General purpose input/output Terminal 1
78	GIO2	I/O	General purpose input/output Terminal 2
79	GOUT0	O	General purpose output Terminal 0
80	GOUT1	O	General purpose output Terminal 1

### 20.2. IC7003 (AN8739SBTE2) Focus coil/ Tracking coil/ Traverse motor/ Spindle motor drive

Pin No.	Mark	I/O	Function
1	/RST	O	RESET output terminal
2	N.C.	-	No Connection
3	IN2	I	Motor drive (2) input
4	PC2	I	Turntable motor drive signal ("L" :ON)
5	N.C.	-	No Connection
6	IN1	I	Motor driver (1) input
7	PVCC1	-	Power supply (1) for driver
8	PGND1	-	Ground connection (1) for driver
9	N.C.	-	No Connection
10	D1-	O	Motor driver (1) reverse-action output
11	D1+	O	Motor driver (1) forward-action output
12	D2-	O	Motor driver (2) reverse-action output

Pin No.	Mark	I/O	Function
13	D2+	O	Motor driver (2) forward-action output
14	D3-	O	Motor driver (3) reverse-action output
15	D3+	O	Crystal oscillating circuit input (f = 16.9344MHz)
16	D4-	O	Motor driver (4) reverse-action output
17	D4+	O	Motor driver (4) forward-action output
18	N.C.	-	No Connection
19	PGND2	-	Ground connection (2) for driver
20	PVCC2	-	Power supply (2) for driver
21	VCC	-	Power supply terminal
22	VREF	-	Reference voltage input
23	IN4	I	Motor driver (4) input
24	IN3	I	Motor driver (3) input
25	RSTIN	I	Reset terminal
26	N.C.	-	No Connection

### 20.3. IC2801 (C2CBJG000561) System Microprocessor

Pin No.	Mark	I/O	Function
1	LM_L	I	Level Meter Left
2	N.C.	-	No Connection
3	PLL_CE	O	PLL Chip Select
4	RDS_DAT	I	RDS Data Input
5	RDS_CLK	I	RDS Clock Input
6	N.C.	-	No Connection
7	N.C.	-	No Connection
8	BYTE	I	External Data Bus Width Select Input
9	CNVss/EFP_CNVss	-	Flash Mode Terminal (Connect to ground)
10	Xcin	-	32.768 kHz Sub Clock
11	Xcout	-	32.768 kHz Sub Clock
12	/RESET/EFP_RESET	I	Reset Input (ACTIVE L)
13	Xout	-	10 MHz Main Clock
14	Vss	-	Ground (0V)
15	Xin	-	10 MHz Main Clock
16	Vcc	-	Power Supply (+5V)
17	/NMI	-	Connect to Vcc (+5V)
18	RMT	I	Remote Control Input
19	BLKCK	I	CD Block Clock Input (Inverted)
20	SYNC	I	AC Failure Detect Input
21	ST/DO	I	Tuner IF Data/ Stereo Input
22	SD	I	Tuner Signal Detect Input
23	Harmonic_SW	I/O	*3 Harmonic Switch (Active L)
24	SW_LVL 1	O	*4 Sub-Woofers Level 1
25	SW_LVL 2	O	*4 Sub-Woofers Level 2
26	ASP_DAT	O	ASP Data
27	ASP_CLK	O	ASP Clock
28	N.C.	-	No Connection
29	PLL_DATA	O	PLL DATA
30	PLL_CLK	O	PLLCLK
31	REG 8/EFP_RxD1	I	Region Setting 8 (Subwoofer)
32	REG 7/EFP_RxD1	I	Region Setting 7 (MIC)
33	REG 6/EFP_SCLK	I	Region Setting 6 (RDS)
34	REG 5/EFP_BUSY	I	Region Setting 5 (Optical Out)
35	REG 4	I	Region Setting 4 (Deck Mechanism)
36	REG 3	I	Region Setting 3 (Tuner)
37	REG 2	I	Region Setting 2 (Tuner)
38	REG 1	I	Region Setting 1 (Tuner)

Pin No.	Mark	I/O	Function
39	MUTE_H	O	HIC Mute
40	MUTE_A	O	Audio Mute
41	EE_CS/EFP_EP M	O	EEPROM Chip Select
42	EE_CLK	O	EEPROM Clock
43	EE_DAT	I/O	EEPROM Data
44	N.C.	-	No Connection
45	N.C.	-	No Connection
46	PCONT/EFP_/CE	O	Main Transformer Control Output
47	DCDET	I	DC Detect Input
48	N.C.	-	No Connection
49	N.C.	-	No Connection
50	N.C.	-	No Connection
51	N.C.	-	No Connection
52	HALF_1	I	Deck 1 Half Playback Input
53	MODE_1	I	Deck 1 Mode Playback Input
54	SW_LED	O	*2 Sub Woofer LED
55	N.C.	-	No Connection
56	PLG1	O	Deck 1 plunger control
57	PLG2	O	Deck 2 plunger control
58	MTR	I/O	Deck motor control ("L" for motor ON)
59	REC	I/O	L when record circuit is operating
60	DECK1_H	O	H when DECK 1 P/B head is selected
61	N.C.	-	No Connection
62	Vcc	-	Power Supply (+5V)
63	N.C.	-	No Connection
64	Vss	-	Ground (0V)
65-66	N.C.	-	No Connection
67	V_JOG_A	I	Volume Jog A
68	V_JOG_B	I	Volume Jog B
69	EX1_CLK	I/O	*1 I/O Expander Clock
70	EX1_DAT	I	*1 I/O Expander Data
71	/FL_RESET	O	Reset Input (ACTIVE L)
72	FL_CS	I/O	FL Driver Chip Select
73	FL_DOUT	O	Serial Data To FL Driver (Output)
74	FL_CLK	I/O	Serial Clock To FL Driver
75	N.C.	-	No Connection
76	SSEQ_LED	O	Super Sound EQ LED
77	CD_RST	O	CD Reset Output
78	STATUS	I	CD Servo LSI Status Input
79	MLD	O	CD Command Load Output
80	MDATA_OUT	O	CD Command Data Output
81	MCLK	O	CD Command Clock Output
82	/RESTSW	I	CD Limit Switch Input for the Most Inner Point (Active Low)
83	CHG_HLF	O	Changer Half Drive Output
84	CHG_CW	O	Changer Motor Clockwise Output
85	CHG_CCW	O	Changer Motor Counterclockwise Output
86	CHG_SW1	I	CD Changer Switch 1 Input
87	CHG_SW2	I	CD Changer Switch 2 Input
88	CHG_PLR	O	Changer Plunger Output
89	CHG_AD2	I	Changer AD Detection Input (Position/Bottom)
90	CHG_AD1	I	Changer AD Detection Input (Open/Clamp)
91	DECK2	I	DECK CONDITION INPUT 2 (R_INHF/MODE2/HALF2)
92	KEY3	I	KEY3 INPUT
93	KEY2	I	KEY2 INPUT
94	KEY1	I	KEY1 INPUT
95	PHOTO_2	I	Rotation Detection Signal (Deck 2)
96	AVss	-	Analog Power Supply Input (Connect to GND)
97	PHOTO_1	I	Rotation Detection Signal (Deck 1)

Pin No.	Mark	I/O	Function
98	VREF	-	Reference for A-D (5V)
99	AVcc	-	Analog Power Supply Input
100	Demo Selector	I	(H= default demo on, L= default demo off.)



## 22.1.2. Deck Mechanism Parts List

Ref. No.	Part No.	Part Name & Description	Remarks
		CASSETTE DECK	
101	RED0069	R/P HEAD BLOCK UNIT	[M]
102	RED0070	P/B HEAD BLOCK UNIT	[M]
103	RDG0300	REEL BASE GEAR	[M]
104	RDG0301	WINDING RELAY GEAR	[M]
105	RDK0026	MAIN GEAR	[M]
107	RDV0033-4	WINDING BELT	[M]
108	RDV0064	CAPSTAN BELT A	[M]
109	RDV0071	CAPSTAN BELT B	[M]
110	RMB0312	TRIGGER LEVER SPRING	[M]
111	RMB0400	REEL SPRING	[M]
112	RMB0403	HEAD PANEL SPRING	[M]
113	RMB0404	BRAKE ROD SPRING	[M]
114	RMB0406	FR LEVER SPRING	[M]
115	RMB0408	THRUST SPRING	[M]
116	RML0370	TRIGGER LEVER	[M]
117	RML0371	FR LEVER	[M]
118	RML0372	WINDING LEVER	[M]
119	RML0374	EJECT LEVER	[M]
120	RMM0131	BRAKE ROD	[M]
121	RMM0133	EJECT ROD	[M]
122	RMQ0519	REEL HUB	[M]
123	RMS0398-1	MOVING CORE	[M]
124	RSJ0003	PLUNGER ASS'Y	[M]
125	RMC0061	PACK SPRING	[M]
126	RXF0061	FLYWHEEL F ASS'Y	[M]
128	RXG0040	FF RELAY GEAR ASS'Y	[M]
129	RMK0283A-J	SUB-CHASSIS	[M]
130	RXL0124	PINCH ROLLER F ASS'Y	[M]
130-1	RMB0401	PINCH ARM SPRING F	[M]
132	RXL0126	WINDING ARM ASS'Y	[M]
133	RXQ0412	HEAD PANEL ASS'Y	[M]
133-1	RMB0405	FR ROD SPRING	[M]
133-2	RMM0132	FR ROD	[M]
134	REM0121	CAP MOTOR ASS'Y	[M]
135	RHD26022	MOTOR SCREW	[M]
136	XTW2+5LFJ	HEAD BLOCK UNIT SCREW	[M]
137	XTW26+10SFJ	SUB-CHASSIS SCREW	[M]
138	XYC2+JF17FJ	PCB EARTH SCREW	[M]
139	RFKJAA4501-S	CHASSIS ASS'Y	[M]

## 22.2.2. CD Loading Mechanism Parts List

Ref. No.	Part No.	Part Name & Description	Remarks
		TRAVERSE DECK	
301	RML0517	TIMING LEVER	[M]
302	RML0516	PLUNGER LEVER	[M]
303	RMB0551	UPPER SPINDLE SPRING	[M]
304	RMQ0744	LOWER HOOK	[M]
305	RDV0056	BELT	[M]
306	RML0525	FRONT LOCK LEVER	[M]
307	RML0526	DISC LEVER	[M]
308	RDG0424	DRIVE GEAR	[M]
309	RDG0425	CHANGE GEAR	[M]
310	RDG0427	TRAVERSE CAM GEAR	[M]
311	RDG0428	TRAVERSE RELAY GEAR	[M]
312	RDG0426	UP/DOWN GEAR	[M]
313	RDG0429	PULLEY GEAR	[M]
314	RMB0549-1	CHANGE GEAR SPRING	[M]
315	RMQ0748	PITCH PLATE	[M]
316	RMB0553	PUSH SPRING	[M]
317	RML0530	ASSIST LEVER	[M]
318	RML0518	CONNECTION LEVER	[M]
319	RMM0201	SLIDE PLATE 1	[M]
320	RME0258	REAR LOCK SPRING	[M]
321	RML0521	REAR LOCK	[M]
322	RME0257	TRAY LOCK LEVER SPRING	[M]
323	RML0520	TRAY LOCK	[M]
324	RMM0202	SLIDE PLATE 2	[M]
325	XTB3+10JFJ	SCREW	[M]
326	RMR0334	FIXED PLATE	[M]
327	RMR0624-W2	CLAMPER	[M]
328	RMB0561	ASSIST LEVER SPRING	[M]
329	RMR1121-K	MECHA COVER	[M]
330	RMA1110-2	TRAY ANGLE	[M]
331	RMR1122-H1	TRAY BASE	[M]
332	RMM0204	CARRIER	[M]
333	RMM0203	DRIVE RACK	[M]
334	RDG0432	SPEED UP GEAR	[M]
335	RML0524	SLIDE LOCK	[M]
336	RML0523	CARRIER LOCK	[M]
337	RME0260-1	SLIDE LOCK SPRING	[M]
338	RMR1123-H	TRAY	[M]
339	RXQ0595	MOTOR SUB ASS'Y	[M]
341	RSJ0003	SOLENOID ASS'Y	[M]
343	RMA1106	UPPER PLATE	[M]
344	RML0519	CD LEVER	[M]
345	RFKNAAK27GCS	MECHA BASE ASS'Y	[M]
346	RML0522	TURNING STOPPER	[M]
347	RMQ0745	LOWER SPINDLE	[M]
348	RMQ0746	UP/DOWN BASE	[M]
349	RMB0550	LOWER SPINDLE SPRING	[M]
350	RMQ0747	UPPER HOOK	[M]
351	RME0263	CLICK SPRING	[M]
352	RMQ0743	SPINDLE SHAFT	[M]
353	RMB0552	CUSHION SPRING	[M]
354	RDG0430	RELAY GEAR 'A'	[M]
355	RDG0431	RELAY GEAR 'B'	[M]
356	RME0262	DISK LEVER SPRING	[M]
357	RMA1105	SUPPORT PLATE	[M]
358	RAE0153Z-3S	TRAVERSE	[M]
358-1	SHGD113-1	FLOATING CUSHION	[M]
358-2	SNSD38	TRV MOTOR ASSY SCREW	[M]
358-3	RAF0152A-S	152A CD OPU	[M]
358-4	RDG0247	DRIVE GEAR	[M]
358-5	RDG0248	RELAY GEAR	[M]
358-6	RXQ0339	TRAVERSE MOTOR ASS'Y	[M]
358-7	RXQ0304-1	NUT PLATE ASS'Y	[M]
358-8	XQN17+CG5FJ	NUT PLATE ASSY SCREW	[M]
358-9	XQS2+A3FJ	SPINDLE MOTOR SCREW	[M]
358-10	XQS17+A35FJ	TRAVERSE MOTOR SCREW	[M]
359	RME0142	FLOATING SPRING A	[M]
360	RME0109	FLOATING SPRING B	[M]
361	RMR1124A-X	CD TRAVERSE CHASSIS	[M]
362	RMS0632	TRAVERSE PIN	[M]

Ref. No.	Part No.	Part Name & Description	Remarks
363	XTN2+6GFJ	SCREW	[M]
369	RMX0141	PUSH SPACER	[M]
370	RMQ0749	UPPER SPINDLE	[M]
371	RHM0001	MAGNET	[M]
372	RMX0140	DISC SPACER	[M]
373	RME0261	FRONT LOCK SPRING	[M]
374	RMQ0742	SPINDLE BASE	[M]

## 22.3.2. Cabinet Parts List

Ref. No.	Part No.	Part Name & Description	Remarks
		CABINET AND CHASSIS	
1	L6FALEPH0030	FAN	[M]
2	REEX0202	10P FFC (PANEL)	[M]
3	REEX0211	14P FFC WIRE (DECK)	[M]
4	REEX0212	14P FFC WIRE (CD)	[M]
5	REEX0401	30P FFC (PANEL)	[M]
6	REEX0447	16P FFC WIRE	[M]
7	RFGAAK630GC	FRONT PANEL ASS'Y	[M]
7-1	RKWX0239B-H	FL WINDOW	[M]
8	RGUX0592-S	MP3 BUTTON	[M]
9	RGRX0042E-AA	REAR PANEL	[M]
10	RGUX0593-S	FUNCTION BUTTON	[M]
11	RGUX0594A-S	POWER/SSEQ BUTTON	[M]
12	RGUX0595-S	CD EJECT BTN/CONTROL	[M]
13	RGWX0072-S	VOLUME KNOB	[M]
14	RHD30004-2S	SCREW	[M]
16	RKA0072-KJ	LEG CUSHION	[M]

Ref. No.	Part No.	Part Name & Description	Remarks
17	RKFX0125-1S	CASS LID L	[M]
18	RKFX0126-1S	CASS LID R	[M]
19	RKMX0105-S	TOP CABINET	[M]
20	RMBX0036	CASS OPEN SPRING	[M]
21	RMCX0021	TRANSISTOR CLIP	[M]
22	RMXX0099-2	BOTTOM CHASSIS	[M]
23	RMXX0100	CD CHASSIS	[M]
24	RMNX0138	FL HOLDER	[M]
25	RMQX0128	VOLUME KNOB ADAPTOR	[M]
26	RUS757ZAA	CASS HALF SPRING	[M]
27	RXGX0002	DAMPER GEAR	[M]
28	RXXX0057	HEAT SINK UNIT	[M]
29	RYFX0138E-K1	CD LID UNIT	[M]
31	XTB3+10JFJ	SCREW	[M]
32	RHD26046	SCREW	[M]
33	RHD30119	SCREW	[M]
34	XTW3+12TFJ	SCREW	[M]
35	XTW3+15TFJ	SCREW (TBZP)	[M]

## 22.4. Electrical Parts List

Ref. No.	Part No.	Part Name & Description	Remarks
		PRINTED CIRCUIT BOARD	
	REPX0443A	CD SERVO P.C.B.	[M] (RTL)
	REPX0442L	MAIN P.C.B.	[M] (RTL)
	REPX0474D	PANEL P.C.B.	[M] (RTL)
	REPX0468F	TRANSFORMER P.C.B.	[M] (RTL)
	REP2578A-N	CD DETECT P.C.B.	[M] (RTL)
	REP2578A-N	SPINDLE POSITION P.C.B.	[M] (RTL)
	REP2578A-N	CD LOADING P.C.B.	[M] (RTL)
	REPX0447B	POWER P.C.B.	[M] (RTL)
	REPX0447B	SUB-POWER P.C.B.	[M] (RTL)
	REPX0331D	DECK P.C.B.	[M] (RTL)
	REPX0321A	DECK MECHANISM P.C.B.	[M] (RTL)
		INTEGRATED CIRCUITS	
IC1	C0GAM0000005	IC MOTOR DRIVE	[M]
IC951	CNB13030R2AU	IC PHOTO INTERRUPTER	[M]
IC971	CNB13030R2AU	IC PHOTO INTERRUPTER	[M]
IC1001	AN7348S-E1	IC P.B. EQ/REC AMP/ALC/TPS AMP	[M]
IC1004	CLAA00000612	IC R/P SELECT	[M]
IC2601	LA1833NMNTLM	IC FM/AM IF AMP/DET/AM OSC, MIX/FM MPX	[M]
IC2602	LC72131MDTRM	IC PLL FREQUENCY SYNTHESIZER	[M]
IC2801	C2CBJG000561	IC MICROPROCESSOR	[M]
IC2803	CLBB00000732	IC AUDIO SOUND PROCESSOR	[M]
IC2804	C0AABA000009	IC DUAL OP-AMP	[M]
IC2805	C0ABBB000244	IC DUAL OP-AMP	[M]
IC2806	C0ABBB000244	IC DUAL OP-AMP	[M]
IC2810	C0ABBB000244	IC DUAL OP-AMP	[M]
IC5002	RSN35H2B-P	IC POWER HIC	[M]
IC5801	RSN315H42C-P	IC POWER HIC	[M]
IC6601	C0HBB0000039	IC FL DRIVER	[M]
IC7002	MN6627953HB	IC SERVO PROCESSOR/DIGITAL SIGNAL PROCESSOR/DIGITAL FILTER/D/A CONVERTER	[M]
IC7003	AN8739SBTE2	IC FOCUS COIL/TRACKING COIL/TRVERSE MOTOR/SPINDLE MOTOR DRIVE	[M]
		TRANSISTORS	
Q1	B1GACFGG0004	TRANSISTOR	[M]
Q1003	B1AAGC000007	TRANSISTOR	[M]
Q1004	B1AAGC000007	TRANSISTOR	[M]
Q1005	B1AAGC000007	TRANSISTOR	[M]
Q1007	B1ABCE000016	TRANSISTOR	[M]
Q1017	B1AARC000003	TRANSISTOR	[M]
Q2142	B1ABCE000016	TRANSISTOR	[M]

Ref. No.	Part No.	Part Name & Description	Remarks
Q2181	B1ABCE000016	TRANSISTOR	[M]
Q2242	B1ABCE000016	TRANSISTOR	[M]
Q2281	B1ABCE000016	TRANSISTOR	[M]
Q2501	B1GDCFJJ0047	TRANSISTOR	[M]
Q2511	B1GDCFJJ0047	TRANSISTOR	[M]
Q2512	B1ABCE000016	TRANSISTOR	[M]
Q2551	B1GDCFJJ0047	TRANSISTOR	[M]
Q2552	B1GDCFJJ0047	TRANSISTOR	[M]
Q2553	B1ABCE000016	TRANSISTOR	[M]
Q2554	B1ABCE000016	TRANSISTOR	[M]
Q2571	B1GFGCAA0001	TRANSISTOR	[M]
Q2601	B1AABC000003	TRANSISTOR	[M]
Q2606	B1GCCFJJ0016	TRANSISTOR	[M]
Q2701	2SD0592ARA	TRANSISTOR	[M]
Q2704	2SB0709AHL	TRANSISTOR	[M]
Q2705	2SB0709AHL	TRANSISTOR	[M]
Q2706	2SD0601AHL	TRANSISTOR	[M]
Q2806	B1GBCFJJ0051	TRANSISTOR	[M]
Q2901	BLACKD000005	TRANSISTOR	[M]
Q2902	B1AACF000064	TRANSISTOR	[M]
Q2906	B1ABCE000016	TRANSISTOR	[M]
Q2907	B1ABCE000016	TRANSISTOR	[M]
Q2936	B1ACKD000005	TRANSISTOR	[M]
Q2937	B1GBCFJJ0051	TRANSISTOR	[M]
Q2978	B1GDCFJJ0047	TRANSISTOR	[M]
Q2980	B1GDCFJJ0047	TRANSISTOR	[M]
Q5801	B1BACG000023	TRANSISTOR	[M]
Q5802	B1BCCG000002	TRANSISTOR	[M]
Q5803	B1BACG000023	TRANSISTOR	[M]
Q5804	B1BCCG000002	TRANSISTOR	[M]
Q5805	B1ACCF000094	TRANSISTOR	[M]
Q5806	B1GDCFJA0018	TRANSISTOR	[M]
Q5807	B1ABCE000016	TRANSISTOR	[M]
Q5808	B1BACD000018	TRANSISTOR	[M]
Q5812	B1ABCE000016	TRANSISTOR	[M]
Q5813	B1ABCE000016	TRANSISTOR	[M]
Q5814	B1ABCE000016	TRANSISTOR	[M]
Q5950	B1BACD000018	TRANSISTOR	[M]
Q5951	2SB0621AHA	TRANSISTOR	[M]
Q5952	B1GACFJJ0018	TRANSISTOR	[M]
Q5953	B1AACF000064	TRANSISTOR	[M]
Q6411	B1ACKD000005	TRANSISTOR	[M]
Q6415	B1ACKD000005	TRANSISTOR	[M]
Q6421	B1GACFLL0008	TRANSISTOR	[M]
Q6425	B1GACFLL0008	TRANSISTOR	[M]
Q6456	B1GACFLL0008	TRANSISTOR	[M]
Q6457	B1GACFLL0008	TRANSISTOR	[M]
Q7601	B1ADCF000001	TRANSISTOR	[M]

Ref. No.	Part No.	Part Name & Description	Remarks
		DIODES	
D1	B3NAA0000096	PHOTO INTERRUPTOR	[M]
D2	BOBA4R600003	DIODE	[M]
D951	MA2C16500E	DIODE	[M]
D971	MA2C16500E	DIODE	[M]
D1003	B0ACCK000005	DIODE	[M]
D1004	BOBC3R700004	DIODE	[M]
D2241	B0ACCK000005	DIODE	[M]
D2332	B0ADCC000002	DIODE	[M]
D2512	RB751V-40	DIODE	[M]
D2551	BOBC2R4A0006	DIODE	[M]
D2552	BOBC2R4A0006	DIODE	[M]
D2601	BOBC5R000009	DIODE	[M]
D2602	B0CDBB000015	DIODE	[M]
D2703	B0ACCK000005	DIODE	[M]
D2704	B0ACCK000005	DIODE	[M]
D2705	B0ACCK000005	DIODE	[M]
D2802	B0ADCJ000020	DIODE	[M]
D2804	B0ACCK000005	DIODE	[M]
D2811	B0ADCJ000020	DIODE	[M]
D2813	B0ACCK000005	DIODE	[M]
D2901	B0ADCC000002	DIODE	[M]
D2904	BOEAKM000117	DIODE	[M]
D2936	BOEAKM000117	DIODE	[M]
D2951	B0BC7R500001	DIODE	[M]
D5003	BOBC01500006	DIODE	[M]
D5801	BOBC01000014	DIODE	[M]
D5802	BOBC01500006	DIODE	[M]
D5803	BOBC01500006	DIODE	[M]
D5804	B0ACCK000005	DIODE	[M]
D5805	BOEAKM000117	DIODE	[M]
D5807	BOEAKM000117	DIODE	[M]
D5808	BOBC5R600003	DIODE	[M]
D5809	BOBC01000014	DIODE	[M]
D5813	B0ACCK000005	DIODE	[M]
D5814	B0ACCK000005	DIODE	[M]
D5820	BOBC01500006	DIODE	[M]
D5950	BOEAMM000038	DIODE	[M]
D5951	BOEAMM000038	DIODE	[M]
D5952	BOEAMM000038	DIODE	[M]
D5953	BOEAMM000038	DIODE	[M]
D5954	BOEAKM000117	DIODE	[M]
D5955	BOEAKM000117	DIODE	[M]
D5956	BOEAKM000117	DIODE	[M]
D5957	BOEAKM000117	DIODE	[M]
D5958	BOEAKM000117	DIODE	[M]
D5959	BOEAKM000117	DIODE	[M]
D5960	BOBA03100002	DIODE	[M]
D5961	BOEAKM000117	DIODE	[M]
D5962	BOEAKM000117	DIODE	[M]
D5963	BOEAKM000117	DIODE	[M]
D5964	BOBA6R600008	DIODE	[M]
D5965	B0AACK000004	DIODE	[M]
D5966	BOEAKM000117	DIODE	[M]
D5970	BOEAMM000038	DIODE	[M]
D5971	BOEAMM000038	DIODE	[M]
D5972	BOEAMM000038	DIODE	[M]
D5973	BOEAMM000038	DIODE	[M]
D5986	BOEAKM000117	DIODE	[M]
D5987	BOEAKM000117	DIODE	[M]
D6456	B3AAA0000583	DIODE	[M]
D6457	B3AAA0000583	DIODE	[M]
D6458	B3AAA0000583	DIODE	[M]
D6635	BOBA7R000005	DIODE	[M]
		VARIABLE RESISTORS	
VR6491	EVEKE2F2524M	VOLUME JOG	[M]
		SWITCHES	
S951	K0J1BB000017	SW MODE	[M]
S952	RSH1A019-2U	SW HALF	[M]

Ref. No.	Part No.	Part Name & Description	Remarks
S971	K0J1BB000017	SW MODE	[M]
S972	RSH1A019-2U	SW HALF	[M]
S975	RSH1A019-2U	SW RECINH F	[M]
S6101	EVQ21405R	SW OPEN/CLOSE	[M]
S6102	EVQ21405R	SW CD 1	[M]
S6103	EVQ21405R	SW CD 2	[M]
S6104	EVQ21405R	SW CD 3	[M]
S6105	EVQ21405R	SW CD 4	[M]
S6106	EVQ21405R	SW CD 5	[M]
S6107	EVQ21405R	SW LEFT	[M]
S6108	EVQ21405R	SW DOWN	[M]
S6109	EVQ21405R	SW RIGHT	[M]
S6110	EVQ21405R	SW UP	[M]
S6201	EVQ21405R	SW REW	[M]
S6202	EVQ21405R	SW TUNER	[M]
S6203	EVQ21405R	SW CD	[M]
S6204	EVQ21405R	SW FF	[M]
S6205	EVQ21405R	SW STOP	[M]
S6206	EVQ21405R	SW DECK 1/2	[M]
S6207	EVQ21405R	SW DECK 2	[M]
S6208	EVQ21405R	SW TAPE	[M]
S6209	EVQ21405R	SW AUX	[M]
S6210	EVQ21405R	SW DECK 1	[M]
S6301	EVQ21405R	SW POWER	[M]
S6303	EVQ21405R	SW H.BASS	[M]
S6304	EVQ21405R	SW REC	[M]
S6305	EVQ21405R	SW DEMO/DISPLAY	[M]
S6306	EVQ21405R	SW SUB-WOOFER	[M]
S6307	EVQ21405R	SW DELETE	[M]
S6308	EVQ21405R	SW MARKER	[M]
S6309	EVQ21405R	SW TITLE SEARCH	[M]
S6310	EVQ21405R	SW ENTER	[M]
S7201	RSH1A043-U	SW REST	[M]
SW1	RSH1A032-U	SW PUSH	[M]
SW2	RSH1A032-U	SW PUSH	[M]
SW3	RSH1A005-1U	SW OPEN	[M]
SW4	K0L1BA000007	SW CD	[M]
SW5	K0L1BB000005	SW LOAD	[M]
		CONNECTORS	
CN1	K1MN14A00049	14P FFC CONNECTOR	[M]
CN971	K1MN10B00104	10P FFC CONNECTOR	[M]
CN1001	K1MN14B00058	14P CONNECTOR	[M]
CN2801	RJS1A9416-1	16P CONECTOR	[M]
CN2803	RJS1A9414-1	14P CONNECTOR	[M]
CN2805	RJS1A9414-1	14P CONNECTOR	[M]
CN2806	K1MN30A00046	30P FFC CONNECTOR	[M]
CN2808	K1KB12B00036	12P CONNECTOR	[M]
CN2809	K1KB12B00036	12P CONNECTOR	[M]
CN2810	K1KA02A00008	2P CONNECTOR	[M]
CN5800	K1KA12A00184	12 CONNECTOR	[M]
CN5801	K1KA12A00184	12 CONNECTOR	[M]
CN5803	K1KA09A00227	9P CONNECTOR	[M]
CN5950	K1KA09A00227	9P CONNECTOR	[M]
CN5951	K1KA09A00047	9P CONNECTOR	[M]
CN6601	K1MN30A00046	30P FFC CONNECTOR	[M]
CN7001	RJS2A8616	16P FPC CONNECTOR	[M]
CN7002	RJS1A9316	16P FFC CONNECTOR	[M]
CP6401	K1MN10B00104	10P FFC CONNECTOR	[M]
CS1001	K1MN05A00039	2P CONNECTOR	[M]
CS1002	K1MN05A00039	2P CONNECTOR	[M]
		CERAMIC FILTERS	
CF2601	J0B1075AA006	CERAMIC FILTER	[M]
CF2602	J0B1075AA006	CERAMIC FILTER	[M]
		COILS & TRANSFORMERS	
L1001	G0C470JA0052	RF CHOKE COIL	[M]

Ref. No.	Part No.	Part Name & Description	Remarks
L1002	7L1A62N	BIAS OSC COIL	[M]
L2601	GNS-A0882DC	AM COIL	[M]
L2602	G2BPC0000016	OSCILLATOR COIL	[M]
L2996	ERJ3GEYOR00V	CHIP JUMPER	[M]
L5201	G0AR76Y00001	CHOKO COIL	[M]
L5202	G0AR76Y00001	CHOKO COIL	[M]
L5401	G0AR76Y00001	CHOKO COIL	[M]
L5402	G0AR76Y00001	CHOKO COIL	[M]
L5678	G0AR76Y00001	CHOKO COIL	[M]
L5778	G0AR76Y00001	CHOKO COIL	[M]
L6551	G0C100JA0044	AXIAL COIL	[M]
L6552	G0C100JA0044	AXIAL COIL	[M]
L6553	G0C100JA0044	AXIAL COIL	[M]
L6621	G0C100JA0044	AXIAL COIL	[M]
T5950	G4C7AFH00004	TRANSFORMER	[M] △
T5951	RTP1H3E002	BACK UP TRANSFORMER	[M] △
		COMPONENT COMBINATIONS	
Z971	RGSD12A1445T	RADA RESISTOR	[M]
Z2601	ENV17290G1Y	FM TUNER PACK	[M]
Z2620	G2BAD00000003	AM IFT	[M]
Z5950	ERZV10V511CS	ZENER	[M] △
Z6481	B3RAB00000040	IR SENSOR	[M]
		RELAY	
RL5950	K6B1AEA00015	POWER RELAY	[M] △
		OSCILLATORS	
X2602	H3F1065A0002	DISCRIMINATOR	[M]
X2603	H0H720400005	CRYSTAL OSCILLATOR	[M]
X2801	H0A327200115	CRYSTAL OSCILLATOR	[M]
X2802	H2B100500004	CERAMIC RESONATORS	[M]
X7201	H2B169500002	RESONATOR	[M]
		DISPLAY TUBE	
FL6601	A2BD00000110	FL	[M]
		FUSE	
F1	K5D202BLA013	FUSE 2.0A	[M] △
		FUSE HOLDERS	
FC1	K3GE1BA00021	FUSE CLIP	[M]
FC2	K3GE1BA00021	FUSE CLIP	[M]
		FUSE PROTECTOR	
FP5833	K5G400A00001	FUSE PROTECTOR	[M] △
FP5950	K5G402A00025	FUSE PROTECTOR	[M] △
FP5951	K5G102A00023	FUSE PROTECTOR	[M] △
		HOLDERS	
H5004	RJS1A5509	9P CABLE HOLDER	[M]
H5950	RJS1A5509	9P CABLE HOLDER	[M]
H6555	K1YZ09000002	WIRE HOLDER	[M]
		JACKS	
JK2601	RJH8304N	JK ANTENNA	[M]
JK2801	K2HA204B0153	JK	[M]
JK5851	K4BC04B00078	JK SPEAKER	[M]
JK5852	K4BC06B00046	JK SPEAKER	[M]
JK5950	K2AA2B000011	JK AC INLET	[M] △
JK6551	K2HC103A0023	JK	[M]
		EARTH TERMINALS	

Ref. No.	Part No.	Part Name & Description	Remarks
E5800	SNE1004-2	EARTH TERMINAL	[M]
E5801	RSQX0001	EARTH PLATE	[M]
		WIRES	
W1	REZ1023-1	4P WIRE	[M]
W2	REZ1024	3P WIRE	[M]
W1002	RWJ0102050CK	MAIN-MECHA MOTOR WIRE	[M]
W5004	REXX0457	9P FLAT WIRE	[M]
W5950	REXX0325	9P FLAT WIRE	[M]
W6555	REXX0324	9P FLAT WIRE	[M]
		CHIP RESISTORS	
W2901	ERJ3GEYOR00V	CHIP JUMPER	[M]
W2902	ERJ3GEYOR00V	CHIP JUMPER	[M]
W2903	ERJ3GEYOR00V	CHIP JUMPER	[M]
W2904	ERJ3GEYOR00V	CHIP JUMPER	[M]
W2905	ERJ3GEYOR00V	CHIP JUMPER	[M]
W2906	ERJ3GEYOR00V	CHIP JUMPER	[M]
W2907	ERJ3GEYOR00V	CHIP JUMPER	[M]
W2908	ERJ3GEYOR00V	CHIP JUMPER	[M]
W2909	ERJ3GEYOR00V	CHIP JUMPER	[M]
W2910	ERJ3GEYOR00V	CHIP JUMPER	[M]
W2911	ERJ3GEYOR00V	CHIP JUMPER	[M]
W2912	ERJ3GEYOR00V	CHIP JUMPER	[M]
W2913	ERJ3GEYOR00V	CHIP JUMPER	[M]
W2915	ERJ3GEYOR00V	CHIP JUMPER	[M]
W2917	ERJ3GEYOR00V	CHIP JUMPER	[M]
W2918	ERJ3GEYOR00V	CHIP JUMPER	[M]
W2919	ERJ3GEYOR00V	CHIP JUMPER	[M]
W2920	ERJ3GEYOR00V	CHIP JUMPER	[M]
W2921	ERJ3GEYOR00V	CHIP JUMPER	[M]
W2922	ERJ3GEYOR00V	CHIP JUMPER	[M]
W2923	ERJ3GEYOR00V	CHIP JUMPER	[M]
W2924	ERJ3GEYOR00V	CHIP JUMPER	[M]
W2925	ERJ3GEYOR00V	CHIP JUMPER	[M]
W2926	ERJ3GEYOR00V	CHIP JUMPER	[M]
W2927	ERJ3GEYOR00V	CHIP JUMPER	[M]
W2928	ERJ3GEYOR00V	CHIP JUMPER	[M]
W2929	ERJ3GEYOR00V	CHIP JUMPER	[M]
W2930	ERJ3GEYOR00V	CHIP JUMPER	[M]
W7001	ERJ3GEYOR00V	CHIP JUMPER	[M]
W7002	ERJ3GEYOR00V	CHIP JUMPER	[M]
W7003	ERJ3GEYOR00V	CHIP JUMPER	[M]
W7004	ERJ3GEYOR00V	CHIP JUMPER	[M]
W7005	ERJ3GEYOR00V	CHIP JUMPER	[M]
W7006	ERJ3GEYOR00V	CHIP JUMPER	[M]
W7007	ERJ3GEYOR00V	CHIP JUMPER	[M]
W7008	ERJ3GEYOR00V	CHIP JUMPER	[M]
W7009	ERJ3GEYOR00V	CHIP JUMPER	[M]
W7010	ERJ3GEYOR00V	CHIP JUMPER	[M]
W7011	ERJ3GEYOR00V	CHIP JUMPER	[M]
W7012	ERJ3GEYOR00V	CHIP JUMPER	[M]
W7013	ERJ3GEYOR00V	CHIP JUMPER	[M]
W7014	ERJ3GEYOR00V	CHIP JUMPER	[M]
W7015	ERJ3GEYOR00V	CHIP JUMPER	[M]
W7016	ERJ3GEYOR00V	CHIP JUMPER	[M]
W7017	ERJ3GEYOR00V	CHIP JUMPER	[M]
W7018	ERJ3GEYOR00V	CHIP JUMPER	[M]
W7019	ERJ3GEYOR00V	CHIP JUMPER	[M]
W7020	ERJ3GEYOR00V	CHIP JUMPER	[M]
W7021	ERJ3GEYOR00V	CHIP JUMPER	[M]
W7022	ERJ3GEYOR00V	CHIP JUMPER	[M]
W7023	ERJ3GEYOR00V	CHIP JUMPER	[M]
W7024	ERJ3GEYOR00V	CHIP JUMPER	[M]
W7025	ERJ3GEYOR00V	CHIP JUMPER	[M]
W7027	ERJ3GEYOR00V	CHIP JUMPER	[M]
W7028	ERJ3GEYOR00V	CHIP JUMPER	[M]
W7033	ERJ3GEYOR00V	CHIP JUMPER	[M]
W7034	ERJ3GEYOR00V	CHIP JUMPER	[M]
W7040	ERJ3GEYOR00V	CHIP JUMPER	[M]
W7041	ERJ3GEYOR00V	CHIP JUMPER	[M]
W7042	ERJ3GEYOR00V	CHIP JUMPER	[M]

Ref. No.	Part No.	Part Name & Description	Remarks
W7043	ERJ3GEY0R00V	CHIP JUMPER	[M]
W7044	ERJ3GEY0R00V	CHIP JUMPER	[M]
W7050	ERJ3GEY0R00V	CHIP JUMPER	[M]
W7051	ERJ3GEY0R00V	CHIP JUMPER	[M]
W7052	ERJ3GEY0R00V	CHIP JUMPER	[M]
W7053	ERJ3GEY0R00V	CHIP JUMPER	[M]
W7054	ERJ3GEY0R00V	CHIP JUMPER	[M]
W7055	ERJ3GEY0R00V	CHIP JUMPER	[M]
		RESISTORS	
R1	ERDS2TJ102T	1K 1/4W	[M]
R952	ERDS2TJ821T	820 1/4W	[M]
R953	ERDS2TJ393T	39K 1/4W	[M]
R972	ERDS2TJ821T	820 1/4W	[M]
R973	ERDS2TJ393T	39K 1/4W	[M]
R1001	ERJ3GEYJ1R0V	1 1/16W	[M]
R1002	ERJ3GEY0R00V	0 1/16W	[M]
R1003	ERJ3GEYJ103V	10K 1/16W	[M]
R1004	ERJ3GEYJ152V	1.5K 1/16W	[M]
R1005	ERJ3GEYJ472V	4.7K 1/16W	[M]
R1007	ERD25FVJ4R7T	4.7 1/4W	[M]
R1009	ERJ3GEYJ183V	18K 1/16W	[M]
R1010	ERJ3GEYJ183V	18K 1/16W	[M]
R1011	ERJ3GEYJ103V	10K 1/16W	[M]
R1012	ERJ3GEYJ472V	4.7K 1/16W	[M]
R1013	ERJ3GEYJ472V	4.7K 1/16W	[M]
R1014	ERJ3GEYJ472V	4.7K 1/16W	[M]
R1015	ERJ3GEYJ470V	47 1/16W	[M]
R1016	ERJ3GEYJ470V	47 1/16W	[M]
R1017	ERJ3GEYJ822V	8.2K 1/16W	[M]
R1018	ERJ3GEYJ392V	3.9K 1/16W	[M]
R1019	ERJ3GEYJ392V	3.9K 1/16W	[M]
R1020	ERJ3GEY0R00V	0 1/16W	[M]
R1022	ERJ3GEYJ103V	10K 1/16W	[M]
R1024	ERJ3GEY0R00V	0 1/16W	[M]
R1025	ERJ3GEY0R00V	0 1/16W	[M]
R1026	ERJ3GEYJ102V	1K 1/16W	[M]
R1027	ERJ3GEY0R00V	0 1/16W	[M]
R1028	ERJ3GEYJ822V	8.2K 1/16W	[M]
R1029	ERJ3GEYJ475V	4.7M 1/16W	[M]
R1030	ERJ3GEYJ101V	100 1/16W	[M]
R1031	ERJ3GEYJ273V	27K 1/16W	[M]
R1032	ERJ3GEYJ103V	10K 1/16W	[M]
R1035	ERJ3GEYJ103V	10K 1/16W	[M]
R1040	ERJ3GEY0R00V	0 1/16W	[M]
R1049	ERJ3GEY0R00V	0 1/16W	[M]
R1050	ERJ3GEY0R00V	0 1/16W	[M]
R1055	ERJ3GEYJ222V	2.2K 1/16W	[M]
R1057	ERJ3GEYJ222V	2.2K 1/16W	[M]
R1060	ERJ3GEYJ391V	390 1/16W	[M]
R1084	ERJ3GEYJ222V	2.2K 1/16W	[M]
R1085	ERJ3GEYJ473V	47K 1/16W	[M]
R1086	ERJ3GEYJ222V	2.2K 1/16W	[M]
R1087	ERJ3GEYJ473V	47K 1/16W	[M]
R1090	ERJ3GEYJ221V	220 1/16W	[M]
R1091	ERJ3GEY0R00V	0 1/16W	[M]
R1092	ERJ3GEY0R00V	0 1/16W	[M]
R1097	ERJ3GEYJ103V	10K 1/16W	[M]
R1098	ERJ3GEYJ103V	10K 1/16W	[M]
R1099	ERJ3GEY0R00V	0 1/16W	[M]
R1100	ERJ3GEY0R00V	0 1/16W	[M]
R1101	ERJ3GEY0R00V	0 1/16W	[M]
R2004	ERJ3GEY0R00V	0 1/16W	[M]
R2101	ERJ3GEYJ122V	1.2K 1/16W	[M]
R2102	ERJ3GEYJ182V	1.8K 1/16W	[M]
R2103	ERJ3GEYJ682V	6.8K 1/16W	[M]
R2106	ERJ3GEYJ101V	100 1/16W	[M]
R2107	ERJ3GEYJ473V	47K 1/16W	[M]
R2108	ERJ3GEYJ682V	6.8K 1/16W	[M]
R2111	ERJ3GEYJ103V	10K 1/16W	[M]
R2112	ERJ3GEYJ223V	22K 1/16W	[M]
R2113	ERJ3GEYJ103V	10K 1/16W	[M]
R2116	ERJ3GEYJ123V	12K 1/16W	[M]

Ref. No.	Part No.	Part Name & Description	Remarks
R2117	ERJ3GEYJ272V	2.7K 1/16W	[M]
R2118	ERJ3GEYJ103V	10K 1/16W	[M]
R2141	ERJ3GEYJ272V	2.7K 1/16W	[M]
R2142	ERJ3GEYJ223V	22K 1/16W	[M]
R2143	ERJ3GEYJ104V	100K 1/16W	[M]
R2145	ERJ3GEYJ103V	10K 1/16W	[M]
R2146	ERJ3GEYJ102V	1K 1/16W	[M]
R2149	ERJ3GEYJ222V	2.2K 1/16W	[M]
R2152	ERJ3GEY0R00V	0 1/16W	[M]
R2154	ERJ3GEYJ104V	100K 1/16W	[M]
R2166	ERJ3GEYJ330V	33 1/16W	[M]
R2167	ERJ3GEYJ330V	33 1/16W	[M]
R2168	ERJ3GEYJ330V	33 1/16W	[M]
R2169	ERJ3GEYJ330V	33 1/16W	[M]
R2170	ERJ3GEYJ1R0V	1 1/16W	[M]
R2171	ERJ3GEYJ332V	3.3K 1/16W	[M]
R2181	ERJ3GEYJ332V	3.3K 1/16W	[M]
R2182	ERJ3GEYJ183V	18K 1/16W	[M]
R2183	ERJ3GEYJ562V	5.6K 1/16W	[M]
R2184	ERJ3GEYJ332V	3.3K 1/16W	[M]
R2191	ERJ3GEYJ102V	1K 1/16W	[M]
R2192	ERJ3GEY0R00V	0 1/16W	[M]
R2193	ERJ3GEYJ104V	100K 1/16W	[M]
R2196	ERJ3GEYJ123V	12K 1/16W	[M]
R2197	ERJ3GEYJ102V	1K 1/16W	[M]
R2201	ERJ3GEYJ122V	1.2K 1/16W	[M]
R2202	ERJ3GEYJ182V	1.8K 1/16W	[M]
R2206	ERJ3GEYJ101V	100 1/16W	[M]
R2207	ERJ3GEYJ473V	47K 1/16W	[M]
R2211	ERJ3GEYJ103V	10K 1/16W	[M]
R2212	ERJ3GEYJ223V	22K 1/16W	[M]
R2216	ERJ3GEYJ123V	12K 1/16W	[M]
R2217	ERJ3GEYJ272V	2.7K 1/16W	[M]
R2241	ERJ3GEYJ272V	2.7K 1/16W	[M]
R2242	ERJ3GEYJ223V	22K 1/16W	[M]
R2243	ERJ3GEYJ104V	100K 1/16W	[M]
R2245	ERJ3GEYJ103V	10K 1/16W	[M]
R2246	ERJ3GEYJ102V	1K 1/16W	[M]
R2247	ERJ3GEYJ104V	100K 1/16W	[M]
R2248	ERJ3GEYJ682V	6.8K 1/16W	[M]
R2249	ERJ3GEYJ222V	2.2K 1/16W	[M]
R2252	ERJ3GEY0R00V	0 1/16W	[M]
R2254	ERJ3GEYJ104V	100K 1/16W	[M]
R2266	ERJ3GEYJ330V	33 1/16W	[M]
R2267	ERJ3GEYJ330V	33 1/16W	[M]
R2268	ERJ3GEYJ330V	33 1/16W	[M]
R2269	ERJ3GEYJ330V	33 1/16W	[M]
R2270	ERJ3GEYJ1R0V	1 1/16W	[M]
R2271	ERJ3GEYJ332V	3.3K 1/16W	[M]
R2281	ERJ3GEYJ332V	3.3K 1/16W	[M]
R2282	ERJ3GEYJ183V	18K 1/16W	[M]
R2283	ERJ3GEYJ562V	5.6K 1/16W	[M]
R2284	ERJ3GEYJ332V	3.3K 1/16W	[M]
R2291	ERJ3GEYJ102V	1K 1/16W	[M]
R2292	ERJ3GEY0R00V	0 1/16W	[M]
R2293	ERJ3GEYJ104V	100K 1/16W	[M]
R2296	ERJ3GEYJ123V	12K 1/16W	[M]
R2297	ERJ3GEYJ102V	1K 1/16W	[M]
R2301	ERJ3GEYJ473V	47K 1/16W	[M]
R2302	ERJ3GEYJ153V	15K 1/16W	[M]
R2303	ERJ3GEYJ334V	330K 1/16W	[M]
R2304	ERJ3GEYJ823V	82K 1/16W	[M]
R2311	ERJ3GEY0R00V	0 1/16W	[M]
R2316	ERJ3GEYJ472V	4.7K 1/16W	[M]
R2317	ERJ3GEYJ104V	100K 1/16W	[M]
R2318	ERJ3GEYJ272V	2.7K 1/16W	[M]
R2320	ERJ3GEY0R00V	0 1/16W	[M]
R2331	ERJ3GEY0R00V	0 1/16W	[M]
R2332	ERJ3GEYJ393V	39K 1/16W	[M]
R2333	ERJ3GEY0R00V	0 1/16W	[M]
R2337	ERJ3GEYJ474V	470K 1/16W	[M]
R2338	ERJ3GEYJ102V	1K 1/16W	[M]
R2339	ERJ3GEYJ222V	2.2K 1/16W	[M]
R2401	ERJ3GEYJ473V	47K 1/16W	[M]

Ref. No.	Part No.	Part Name & Description	Remarks
R2402	ERJ3GEYJ153V	15K 1/16W	[M]
R2403	ERJ3GEYJ334V	330K 1/16W	[M]
R2404	ERJ3GEYJ823V	82K 1/16W	[M]
R2411	ERJ3GEYR00V	0 1/16W	[M]
R2416	ERJ3GEYJ472V	4.7K 1/16W	[M]
R2417	ERJ3GEYJ104V	100K 1/16W	[M]
R2418	ERJ3GEYJ272V	2.7K 1/16W	[M]
R2420	ERJ3GEYR00V	0 1/16W	[M]
R2439	ERJ3GEYJ222V	2.2K 1/16W	[M]
R2501	ERJ3GEYJ153V	15K 1/16W	[M]
R2502	ERJ3GEYJ104V	100K 1/16W	[M]
R2503	ERJ3GEYJ474V	470K 1/16W	[M]
R2511	ERJ3GEYJ224V	220K 1/16W	[M]
R2512	ERJ3GEYR00V	0 1/16W	[M]
R2513	ERJ3GEYJ472V	4.7K 1/16W	[M]
R2514	ERJ3GEYJ104V	100K 1/16W	[M]
R2515	ERJ3GEYJ822V	8.2K 1/16W	[M]
R2516	ERJ3GEYJ102V	1K 1/16W	[M]
R2517	ERJ3GEYJ104V	100K 1/16W	[M]
R2518	ERJ3GEYJ104V	100K 1/16W	[M]
R2519	ERJ3GEYJ183V	18K 1/16W	[M]
R2520	ERJ3GEYJ103V	10K 1/16W	[M]
R2521	ERJ3GEYJ103V	10K 1/16W	[M]
R2522	ERJ3GEYJ103V	10K 1/16W	[M]
R2523	ERJ3GEYJ104V	100K 1/16W	[M]
R2524	ERJ3GEYJ102V	1K 1/16W	[M]
R2525	ERJ3GEYJ104V	100K 1/16W	[M]
R2527	ERJ3GEYJ102V	1K 1/16W	[M]
R2531	ERJ3GEYR00V	0 1/16W	[M]
R2532	ERJ3GEYR00V	0 1/16W	[M]
R2533	ERJ3GEYJ103V	10K 1/16W	[M]
R2534	ERJ3GEYJ152V	1.5K 1/16W	[M]
R2535	ERJ3GEYJ333V	33K 1/16W	[M]
R2537	ERJ3GEYJ102V	1K 1/16W	[M]
R2538	ERJ3GEYJ222V	2.2K 1/16W	[M]
R2539	ERJ3GEYJ104V	100K 1/16W	[M]
R2555	ERJ3GEYJ102V	1K 1/16W	[M]
R2556	ERJ3GEYJ102V	1K 1/16W	[M]
R2557	ERJ3GEYJ102V	1K 1/16W	[M]
R2558	ERJ3GEYJ332V	3.3K 1/16W	[M]
R2559	ERJ3GEYJ183V	18K 1/16W	[M]
R2560	ERJ3GEYJ332V	3.3K 1/16W	[M]
R2561	ERJ3GEYJ223V	22K 1/16W	[M]
R2562	ERJ3GEYJ473V	47K 1/16W	[M]
R2563	ERJ3GEYJ473V	47K 1/16W	[M]
R2564	ERJ3GEYJ334V	330K 1/16W	[M]
R2565	ERJ3GEYJ392V	3.9K 1/16W	[M]
R2566	ERJ3GEYJ222V	2.2K 1/16W	[M]
R2568	ERJ3GEYJ104V	100K 1/16W	[M]
R2571	ERJ3GEYJ222V	2.2K 1/16W	[M]
R2582	ERJ3GEYR00V	0 1/16W	[M]
R2584	ERJ3GEYJ334V	330K 1/16W	[M]
R2585	ERJ3GEYJ334V	330K 1/16W	[M]
R2586	ERJ3GEYJ122V	1.2K 1/16W	[M]
R2587	ERJ3GEYJ122V	1.2K 1/16W	[M]
R2591	ERJ3GEYJ334V	330K 1/16W	[M]
R2592	ERJ3GEYR00V	0 1/16W	[M]
R2601	ERJ3GEYR00V	0 1/16W	[M]
R2602	ERJ3GEYJ472V	4.7K 1/16W	[M]
R2603	ERJ3GEYJ101V	100 1/16W	[M]
R2604	ERJ3GEYJ102V	1K 1/16W	[M]
R2605	ERJ3GEYJ471V	470 1/16W	[M]
R2606	ERJ3GEYJ474V	470K 1/16W	[M]
R2607	ERJ3GEYJ331V	330 1/16W	[M]
R2610	ERJ3GEYJ102V	1K 1/16W	[M]
R2611	ERJ3GEYJ391V	390 1/16W	[M]
R2612	ERJ3GEYJ104V	100K 1/16W	[M]
R2613	ERJ3GEYJ103V	10K 1/16W	[M]
R2614	ERJ3GEYJ562V	5.6K 1/16W	[M]
R2615	ERJ3GEYJ561V	560 1/16W	[M]
R2616	ERJ3GEYJ102V	1K 1/16W	[M]
R2617	ERJ3GEYJ683V	68K 1/16W	[M]
R2618	ERJ3GEYJ332V	3.3K 1/16W	[M]
R2619	ERJ3GEYJ472V	4.7K 1/16W	[M]

Ref. No.	Part No.	Part Name & Description	Remarks
R2620	ERJ3GEYJ473V	47K 1/16W	[M]
R2621	ERJ3GEYJ223V	22K 1/16W	[M]
R2622	ERJ3GEYJ272V	2.7K 1/16W	[M]
R2623	ERJ3GEYJ683V	68K 1/16W	[M]
R2624	ERJ3GEYJ330V	33 1/16W	[M]
R2625	ERJ3GEYJ471V	470 1/16W	[M]
R2626	ERJ3GEYJ102V	1K 1/16W	[M]
R2627	ERJ3GEYJ471V	470 1/16W	[M]
R2628	ERJ3GEYJ820V	82 1/16W	[M]
R2629	ERJ3GEYJ273V	27K 1/16W	[M]
R2630	ERJ3GEYJ103V	10K 1/16W	[M]
R2631	ERJ3GEYJ121V	120 1/16W	[M]
R2632	ERJ3GEYJ103V	10K 1/16W	[M]
R2633	ERJ3GEYJ102V	1K 1/16W	[M]
R2634	ERJ3GEYJ471V	470 1/16W	[M]
R2635	ERJ3GEYJ102V	1K 1/16W	[M]
R2636	ERJ3GEYJ102V	1K 1/16W	[M]
R2637	ERJ3GEYJ102V	1K 1/16W	[M]
R2638	ERJ3GEYJ332V	3.3K 1/16W	[M]
R2641	ERJ3GEYJ682V	6.8K 1/16W	[M]
R2642	ERJ3GEYJ682V	6.8K 1/16W	[M]
R2643	ERJ3GEYJ223V	22K 1/16W	[M]
R2644	ERJ3GEYJ121V	120 1/16W	[M]
R2645	ERJ3GEYJ104V	100K 1/16W	[M]
R2646	ERJ3GEYJ104V	100K 1/16W	[M]
R2651	ERJ3GEYJ820V	82 1/16W	[M]
R2652	ERJ3GEYR00V	0 1/16W	[M]
R2701	ERJ3GEYJ225V	2.2M 1/16W	[M]
R2702	ERJ3GEYJ332V	3.3K 1/16W	[M]
R2704	ERJ3GEYR00V	0 1/16W	[M]
R2705	ERJ3GEYJ222V	2.2K 1/16W	[M]
R2706	ERJ3GEYJ222V	2.2K 1/16W	[M]
R2707	ERJ3GEYJ102V	1K 1/16W	[M]
R2708	ERJ3GEYJ103V	10K 1/16W	[M]
R2709	ERJ3GEYJ104V	100K 1/16W	[M]
R2710	ERJ3GEYJ224V	220K 1/16W	[M]
R2711	ERJ3GEYJ101V	100 1/16W	[M]
R2712	ERDS1FVJ220T	22 1/2W	[M]
R2713	ERJ3GEYJ104V	100K 1/16W	[M]
R2714	ERJ3GEYJ124V	120K 1/16W	[M]
R2715	ERJ3GEYJ103V	10K 1/16W	[M]
R2801	ERJ3GEYJ103V	10K 1/16W	[M]
R2802	ERJ3GEYJ101V	100 1/16W	[M]
R2803	ERJ3GEYJ103V	10K 1/16W	[M]
R2804	ERJ3GEYJ473V	47K 1/16W	[M]
R2805	ERJ3GEYJ473V	47K 1/16W	[M]
R2806	ERJ3GEYJ103V	10K 1/16W	[M]
R2807	ERJ3GEYJ103V	10K 1/16W	[M]
R2810	ERJ3GEYJ223V	22K 1/16W	[M]
R2811	ERJ3GEYR00V	0 1/16W	[M]
R2817	ERJ3GEYJ104V	100K 1/16W	[M]
R2818	ERJ3GEYJ104V	100K 1/16W	[M]
R2819	ERJ3GEYJ104V	100K 1/16W	[M]
R2820	ERJ3GEYJ104V	100K 1/16W	[M]
R2821	ERJ3GEYJ104V	100K 1/16W	[M]
R2822	ERJ3GEYJ104V	100K 1/16W	[M]
R2823	ERJ3GEYJ104V	100K 1/16W	[M]
R2824	ERJ3GEYJ104V	100K 1/16W	[M]
R2832	ERJ3GEYJ103V	10K 1/16W	[M]
R2834	ERJ3GEYJ102V	1K 1/16W	[M]
R2841	ERJ3GEYJ103V	10K 1/16W	[M]
R2842	ERJ3GEYJ103V	10K 1/16W	[M]
R2843	ERJ3GEYJ102V	1K 1/16W	[M]
R2844	ERJ3GEYJ103V	10K 1/16W	[M]
R2845	ERJ3GEYJ103V	10K 1/16W	[M]
R2846	ERJ3GEYJ472V	4.7K 1/16W	[M]
R2856	ERJ3GEYJ101V	100 1/16W	[M]
R2857	ERJ3GEYJ101V	100 1/16W	[M]
R2858	ERJ3GEYJ101V	100 1/16W	[M]
R2859	ERJ3GEYJ101V	100 1/16W	[M]
R2860	ERJ3GEYJ101V	100 1/16W	[M]
R2861	ERJ3GEYJ101V	100 1/16W	[M]
R2862	ERJ3GEYJ101V	100 1/16W	[M]
R2867	ERJ3GEYJ104V	100K 1/16W	[M]

Ref. No.	Part No.	Part Name & Description	Remarks
R2876	ERJ3GEYJ223V	22K 1/16W	[M]
R2877	ERJ3GEYJ223V	22K 1/16W	[M]
R2878	ERJ3GEYJ472V	4.7K 1/16W	[M]
R2881	ERJ3GEYJ221V	220 1/16W	[M]
R2882	ERJ3GEYJ106V	10M 1/16W	[M]
R2883	ERJ3GEYJ334V	330K 1/16W	[M]
R2886	ERJ3GEYJ105V	1M 1/16W	[M]
R2891	ERJ3GEYJ473V	47K 1/16W	[M]
R2892	ERJ3GEY0R00V	0 1/16W	[M]
R2899	ERJ3GEYJ473V	47K 1/16W	[M]
R2901	ERJ3GEYJ103V	10K 1/16W	[M]
R2902	ERDS1FVJ120T	12 1/2W	[M]
R2903	ERDS1FVJ150T	15 1/2W	[M]
R2907	ERJ3GEYJ102V	1K 1/16W	[M]
R2908	ERJ3GEYJ331V	330 1/16W	[M]
R2909	ERJ3GEYJ222V	2.2K 1/16W	[M]
R2910	ERJ3GEYJ331V	330 1/16W	[M]
R2911	ERJ3GEY0R00V	0 1/16W	[M]
R2912	ERJ3GEYJ472V	4.7K 1/16W	[M]
R2913	ERJ3GEY0R00V	0 1/16W	[M]
R2914	ERJ3GEYJ472V	4.7K 1/16W	[M]
R2915	ERJ3GEY0R00V	0 1/16W	[M]
R2916	ERJ3GEYJ472V	4.7K 1/16W	[M]
R2917	ERJ3GEY0R00V	0 1/16W	[M]
R2918	ERJ3GEYJ103V	10K 1/16W	[M]
R2919	ERJ3GEYJ472V	4.7K 1/16W	[M]
R2920	ERJ3GEYJ472V	4.7K 1/16W	[M]
R2921	ERJ3GEYJ472V	4.7K 1/16W	[M]
R2922	ERJ3GEYJ103V	10K 1/16W	[M]
R2923	ERJ3GEY0R00V	0 1/16W	[M]
R2924	ERJ3GEYJ103V	10K 1/16W	[M]
R2925	ERJ3GEYJ472V	4.7K 1/16W	[M]
R2926	ERJ3GEY0R00V	0 1/16W	[M]
R2927	ERJ3GEYJ472V	4.7K 1/16W	[M]
R2928	ERJ3GEYJ103V	10K 1/16W	[M]
R2929	ERJ3GEYJ103V	10K 1/16W	[M]
R2930	ERJ3GEYJ103V	10K 1/16W	[M]
R2931	ERJ3GEYJ103V	10K 1/16W	[M]
R2932	ERJ3GEY0R00V	0 1/16W	[M]
R2933	ERJ3GEY0R00V	0 1/16W	[M]
R2936	ERJ3GEYJ102V	1K 1/16W	[M]
R2937	ERJ3GEYJ103V	10K 1/16W	[M]
R2938	ERJ3GEYJ123V	12K 1/16W	[M]
R2939	ERJ3GEYJ223V	22K 1/16W	[M]
R2940	ERJ3GEYJ221V	220 1/16W	[M]
R2941	ERJ3GEYJ123V	12K 1/16W	[M]
R2942	ERJ3GEYJ223V	22K 1/16W	[M]
R2943	ERJ3GEYJ103V	10K 1/16W	[M]
R2944	ERJ3GEYJ103V	10K 1/16W	[M]
R2945	ERJ3GEYJ473V	47K 1/16W	[M]
R2946	ERJ3GEYJ473V	47K 1/16W	[M]
R2952	ERJ3GEYJ472V	4.7K 1/16W	[M]
R2953	ERJ3GEYJ103V	10K 1/16W	[M]
R2954	ERDS1FVJ270T	27 1/2W	[M]
R2976	ERJ3GEY0R00V	0 1/16W	[M]
R2977	ERJ3GEY0R00V	0 1/16W	[M]
R5036	ERJ3GEYJ334V	330K 1/16W	[M]
R5077	ERJ3GEYJ563V	56K 1/16W	[M]
R5245	ERJ3GEYJ332V	3.3K 1/16W	[M]
R5246	ERJ3GEYJ153V	15K 1/16W	[M]
R5247	ERJ3GEYJ332V	3.3K 1/16W	[M]
R5248	ERJ3GEYJ153V	15K 1/16W	[M]
R5249	ERJ3GEYJ683V	68K 1/16W	[M]
R5250	ERJ3GEYJ683V	68K 1/16W	[M]
R5251	ERJ3GEYJ154V	150K 1/16W	[M]
R5252	ERJ3GEYJ104V	100K 1/16W	[M]
R5253	ERDS1FVJ100T	10 1/2W	[M]
R5254	ERDS1FVJ100T	10 1/2W	[M]
R5255	ERDS1FVJ100T	10 1/2W	[M]
R5256	ERDS1FVJ100T	10 1/2W	[M]
R5445	ERJ3GEYJ332V	3.3K 1/16W	[M]
R5446	ERJ3GEYJ153V	15K 1/16W	[M]
R5447	ERJ3GEYJ332V	3.3K 1/16W	[M]
R5448	ERJ3GEYJ153V	15K 1/16W	[M]

Ref. No.	Part No.	Part Name & Description	Remarks
R5449	ERJ3GEYJ683V	68K 1/16W	[M]
R5450	ERJ3GEYJ683V	68K 1/16W	[M]
R5451	ERJ3GEYJ563V	56K 1/16W	[M]
R5452	ERJ3GEYJ224V	220K 1/16W	[M]
R5453	ERDS1FVJ100T	10 1/2W	[M]
R5454	ERDS1FVJ100T	10 1/2W	[M]
R5455	ERDS1FVJ100T	10 1/2W	[M]
R5456	ERDS1FVJ100T	10 1/2W	[M]
R5457	ERDS1FVJ270T	27 1/2W	[M]
R5635	ERJ3GEYJ104V	100K 1/16W	[M]
R5669	ERJ3GEYJ272V	2.7K 1/16W	[M]
R5670	ERJ3GEYJ563V	56K 1/16W	[M]
R5671	ERJ3GEYJ334V	330K 1/16W	[M]
R5673	ERDS1FVJ100T	10 1/2W	[M]
R5678	ERDS1FVJ100T	10 1/2W	[M]
R5734	ERJ3GEYJ562V	5.6K 1/16W	[M]
R5769	ERJ3GEYJ563V	56K 1/16W	[M]
R5770	ERJ3GEYJ104V	100K 1/16W	[M]
R5771	ERJ3GEYJ274V	270K 1/16W	[M]
R5772	ERJ3GEYJ223V	22K 1/16W	[M]
R5773	ERDS1FVJ100T	10 1/2W	[M]
R5777	ERJ3GEYJ563V	56K 1/16W	[M]
R5778	ERDS1FVJ100T	10 1/2W	[M]
R5801	ERJ3GEYJ103V	10K 1/16W	[M]
R5802	ERJ3GEYJ223V	22K 1/16W	[M]
R5803	ERJ3GEY0R00V	0 1/16W	[M]
R5804	ERJ3GEYJ473V	47K 1/16W	[M]
R5805	ERJ3GEYJ473V	47K 1/16W	[M]
R5806	ERJ3GEYJ104V	100K 1/16W	[M]
R5807	ERDS1FVJ331T	330 1/2W	[M]
R5808	ERDS1FVJ331T	330 1/2W	[M]
R5809	ERDS1FVJ331T	330 1/2W	[M]
R5810	ERJ3GEYJ272V	2.7K 1/16W	[M]
R5811	ERJ3GEYJ471V	470 1/16W	[M]
R5812	ERJ3GEYJ272V	2.7K 1/16W	[M]
R5813	ERJ3GEYJ332V	3.3K 1/16W	[M]
R5814	ERJ3GEYJ332V	3.3K 1/16W	[M]
R5815	ERDS1FVJ270T	27 1/2W	[M]
R5816	ERDS1FVJ270T	27 1/2W	[M]
R5822	ERJ3GEYJ332V	3.3K 1/16W	[M]
R5823	ERJ3GEYJ471V	470 1/16W	[M]
R5824	ERDS1FVJ2R2T	2.2 1/2W	[M]
R5825	ERDS1FVJ2R2T	2.2 1/2W	[M]
R5826	ERDS1FVJ2R2T	2.2 1/2W	[M]
R5827	ERDS1FVJ2R2T	2.2 1/2W	[M]
R5828	ERJ3GEYJ103V	10K 1/16W	[M]
R5829	ERDS1FVJ331T	330 1/2W	[M]
R5830	ERJ3GEYJ122V	1.2K 1/16W	[M]
R5831	ERJ3GEYJ222V	2.2K 1/16W	[M]
R5834	ERDS1FVJ150T	15 1/2W	[M]
R5841	ERDS1FVJ331T	330 1/2W	[M]
R5843	ERDS1FVJ6R8T	6.8 1/2W	[M]
R5844	ERDS1FVJ6R8T	6.8 1/2W	[M]
R5845	ERDS1FVJ6R8T	6.8 1/2W	[M]
R5846	ERDS1FVJ6R8T	6.8 1/2W	[M]
R5848	ERDS1FVJ6R8T	6.8 1/2W	[M]
R5853	ERJ3GEYJ224V	220K 1/16W	[M]
R5854	ERJ3GEYJ103V	10K 1/16W	[M]
R5855	ERJ3GEYJ223V	22K 1/16W	[M]
R5856	ERJ3GEYJ103V	10K 1/16W	[M]
R5857	ERJ3GEYJ223V	22K 1/16W	[M]
R5862	ERJ3GEY0R00V	0 1/16W	[M]
R5882	ERJ3GEYJ151V	150 1/16W	[M]
R5897	ERDS1FVJ220T	22 1/2W	[M]
R5951	ERDS2TJ332T	3.3K 1/4W	[M]
R5952	ERDS2TJ222T	2.2K 1/4W	[M]
R5953	ERDS2TJ151T	150 1/4W	[M]
R5954	ERDS1FVJ100T	10 1/2W	[M]
R5955	ERDS1FVJ100T	10 1/2W	[M]
R5956	ERDS1FVJ100T	10 1/2W	[M]
R5957	ERDS2TJ103T	10K 1/4W	[M]
R5958	ERDS2TJ103T	10K 1/4W	[M]
R5960	ERDS2TJ472T	4.7K 1/4W	[M]
R5961	ERDS2TJ151T	150 1/4W	[M]



Ref. No.	Part No.	Part Name & Description	Remarks
R5965	ERDS2TJ123T	12K 1/4W	[M]
R6102	ERDS2TJ102T	1K 1/4W	[M]
R6103	ERDS2TJ102T	1K 1/4W	[M]
R6104	ERDS2TJ122T	1.2K 1/4W	[M]
R6105	ERDS2TJ182T	1.8K 1/4W	[M]
R6106	ERDS2TJ222T	2.2K 1/4W	[M]
R6107	ERDS2TJ272T	2.7K 1/4W	[M]
R6108	ERDS2TJ472T	4.7K 1/4W	[M]
R6109	ERDS2TJ682T	6.8K 1/4W	[M]
R6110	ERDS2TJ103T	10K 1/4W	[M]
R6111	ERDS2TJ223T	22K 1/4W	[M]
R6199	ERDS2TJ103T	10K 1/4W	[M]
R6202	ERDS2TJ102T	1K 1/4W	[M]
R6203	ERDS2TJ102T	1K 1/4W	[M]
R6204	ERDS2TJ122T	1.2K 1/4W	[M]
R6205	ERDS2TJ182T	1.8K 1/4W	[M]
R6206	ERDS2TJ222T	2.2K 1/4W	[M]
R6207	ERDS2TJ272T	2.7K 1/4W	[M]
R6208	ERDS2TJ472T	4.7K 1/4W	[M]
R6209	ERDS2TJ682T	6.8K 1/4W	[M]
R6210	ERDS2TJ103T	10K 1/4W	[M]
R6302	ERDS2TJ102T	1K 1/4W	[M]
R6303	ERDS2TJ102T	1K 1/4W	[M]
R6304	ERDS2TJ122T	1.2K 1/4W	[M]
R6305	ERDS2TJ182T	1.8K 1/4W	[M]
R6306	ERDS2TJ222T	2.2K 1/4W	[M]
R6307	ERDS2TJ272T	2.7K 1/4W	[M]
R6308	ERDS2TJ472T	4.7K 1/4W	[M]
R6309	ERDS2TJ682T	6.8K 1/4W	[M]
R6310	ERDS2TJ103T	10K 1/4W	[M]
R6399	ERDS2TJ103T	10K 1/4W	[M]
R6401	ERDS2TJ103T	10K 1/4W	[M]
R6402	ERDS2TJ103T	10K 1/4W	[M]
R6403	ERDS2TJ2R7T	2.7 1/4W	[M]
R6404	ERDS2TJ2R7T	2.7 1/4W	[M]
R6405	ERDS2TJ274T	270K 1/4W	[M]
R6406	ERDS2TJ274T	270K 1/4W	[M]
R6411	ERDS2TJ223T	22K 1/4W	[M]
R6412	ERDS2TJ102T	1K 1/4W	[M]
R6415	ERDS2TJ223T	22K 1/4W	[M]
R6416	ERDS2TJ102T	1K 1/4W	[M]
R6421	ERDS2TJ103T	10K 1/4W	[M]
R6425	ERDS2TJ103T	10K 1/4W	[M]
R6456	ERDS2TJ392T	3.9K 1/4W	[M]
R6457	ERDS2TJ392T	3.9K 1/4W	[M]
R6458	ERDS2TJ472T	4.7K 1/4W	[M]
R6491	ERDS2TJ473T	47K 1/4W	[M]
R6492	ERDS2TJ473T	47K 1/4W	[M]
R6493	ERDS2TJ103T	10K 1/4W	[M]
R6601	ERDS2TJ471T	470 1/4W	[M]
R6602	ERDS2TJ471T	470 1/4W	[M]
R6603	ERDS2TJ221T	220 1/4W	[M]
R6604	ERDS2TJ221T	220 1/4W	[M]
R6611	ERDS2TJ153T	15K 1/4W	[M]
R6631	ERD2FCVG470T	47 1/4W	[M]
R6632	ERD2FCVG470T	47 1/4W	[M]
R6641	ERDS1FVJ120T	12 1/2W	[M]
R6642	ERDS1FVJ120T	12 1/2W	[M]
R6643	ERDS1FVJ120T	12 1/2W	[M]
R6644	ERDS1FVJ120T	12 1/2W	[M]
R7102	ERJ3GEYJ472V	4.7K 1/16W	[M]
R7104	ERJ3GEYJ102V	1K 1/16W	[M]
R7105	ERJ3GEYJ393V	39K 1/16W	[M]
R7106	ERJ3GEYJ102V	1K 1/16W	[M]
R7144	ERJ3GEYJ473V	47K 1/16W	[M]
R7211	ERJ3GEYJ823V	82K 1/16W	[M]
R7212	ERJ3GEYJ821V	820 1/16W	[M]
R7214	ERJ3GEYJ681V	680 1/16W	[M]
R7217	ERJ3GEYJ102V	1K 1/16W	[M]
R7218	ERJ3GEYJ102V	1K 1/16W	[M]
R7220	ERJ3GEYJ105V	1M 1/16W	[M]
R7221	ERJ3GEYJ101V	100 1/16W	[M]
R7253	ERJ3GEYJ100V	10 1/16W	[M]
R7254	ERJ3GEYJ102V	1K 1/16W	[M]

Ref. No.	Part No.	Part Name & Description	Remarks
R7315	ERJ3GEYJ272V	2.7K 1/16W	[M]
R7323	ERJ3GEYJ562V	5.6K 1/16W	[M]
R7325	ERJ3GEYJ561V	560 1/16W	[M]
R7327	ERJ3GEYJ152V	1.5K 1/16W	[M]
R7328	ERJ3GEYJ183V	18K 1/16W	[M]
R7329	ERJ3GEYJ152V	1.5K 1/16W	[M]
R7331	ERJ3GEYJ223V	22K 1/16W	[M]
R7335	ERJ3GEYJ101V	100 1/16W	[M]
R7336	ERJ3GEYJ100V	10 1/16W	[M]
R7339	ERJ3GEYJ102V	1K 1/16W	[M]
R7349	ERJ3GEYJ153V	15K 1/16W	[M]
R7601	ERJ3GEYJ4R7V	4.7 1/16W	[M]
R7650	ERJ3GEYJ5R6V	5.6 1/16W	[M]
		CAPACITORS	
C1	ECEA1CKA101B	100 16V	[M]
C2	F1D1E103A001	0.01 25V	[M]
C1002	ECEA1HKN2R2B	2.2 50V	[M]
C1006	ECEA1HKA010B	1 50V	[M]
C1007	F0A2A472A034	4700P 100V	[M]
C1008	ECEA1HKA010B	1 50V	[M]
C1009	ECEA1CKA470B	47 16V	[M]
C1010	ECA1EM101B	100 25V	[M]
C1011	ECQV1H473JZ3	0.047 50V	[M]
C1012	ECJ1VB1H102K	1000P 50V	[M]
C1013	ECJ1VB1H102K	1000P 50V	[M]
C1014	ECJ1VB1H102K	1000P 50V	[M]
C1015	ECJ1VB1H102K	1000P 50V	[M]
C1016	ECJ1VB1H222K	2200P 50V	[M]
C1017	ECJ1VB1H222K	2200P 50V	[M]
C1018	ECJ1VB1H103K	0.01 50V	[M]
C1019	ECJ1VB1H102K	1000P 50V	[M]
C1020	ECJ1VB1H471K	470P 50V	[M]
C1021	ECJ1VB1H471K	470P 50V	[M]
C1022	ECJ1VB1H102K	1000P 50V	[M]
C1023	ECJ1VB1H102K	1000P 50V	[M]
C1026	ECEA0JKA470B	47 6.3V	[M]
C1027	ECJ1VB1H102K	1000P 50V	[M]
C1030	ECEA1AKA101B	100 10V	[M]
C1031	ECA1AM101B	100 10V	[M]
C1032	F1C1C183A023	0.018 16V	[M]
C1033	F1C1C183A023	0.018 16V	[M]
C1034	ECEA1HKA3R3B	3.3 50V	[M]
C1035	ECEA1HKA3R3B	3.3 50V	[M]
C1036	ECJ1VB1C333K	0.033 16V	[M]
C1037	ECEA1HKA3R3B	3.3 50V	[M]
C1038	ECJ1VB1H221K	220P 50V	[M]
C1039	ECJ1VB1H221K	220P 50V	[M]
C1040	ECEA1CKA100B	10 16V	[M]
C1041	ECEA1CKA100B	10 16V	[M]
C1042	ECEA1CKA220B	22 16V	[M]
C1043	ECEA1HKA4R7B	4.7 50V	[M]
C1044	ECEA1AKA330B	33 10V	[M]
C1045	ECEA1AKA220B	22 10V	[M]
C1046	ECA1CM221B	220 16V	[M]
C1049	ECJ1VB1H332K	3300P 50V	[M]
C1050	ECJ1VB1H332K	3300P 50V	[M]
C1056	ECEA1CKA100B	10 16V	[M]
C1057	ECJ1VB1H102K	1000P 50V	[M]
C1058	ECJ1VB1H102K	1000P 50V	[M]
C1059	ECJ1VB1H103K	0.01 50V	[M]
C2101	ECJ1VB1C105K	1 16V	[M]
C2102	ECJ1VB1C104K	0.1 16V	[M]
C2103	ECJ1VB1H102K	1000P 50V	[M]
C2106	ECJ1VB1H332K	3300P 50V	[M]
C2107	ECJ1VB1C104K	0.1 16V	[M]
C2108	ECJ1VB1H102K	1000P 50V	[M]
C2111	ECJ1VB1C104K	0.1 16V	[M]
C2112	ECJ1VB1H152K	1500P 50V	[M]
C2114	ECJ1VB1H103K	0.01 50V	[M]
C2116	ECJ1VB1H681K	680P 50V	[M]
C2117	ECJ1VC1H101K	100P 50V	[M]
C2118	ECJ1VB1C104K	0.1 16V	[M]

Ref. No.	Part No.	Part Name & Description	Remarks
C2119	ECJ1VB1H102K	1000P 50V	[M]
C2120	ECJ1VB1C105K	1 16V	[M]
C2121	ECJ1VB1C104K	0.1 16V	[M]
C2126	ECJ1VB1C104K	0.1 16V	[M]
C2131	ECUV1C224KBV	0.22 16V	[M]
C2136	ECUV1C224KBV	0.22 16V	[M]
C2141	ECJ1VB1C105K	1 16V	[M]
C2142	ECJ1VB1C105K	1 16V	[M]
C2151	ECA1CM100B	10 16V	[M]
C2166	ECJ1VB1H102K	1000P 50V	[M]
C2181	ECJ1VB1H822K	8200P 50V	[M]
C2182	ECJ1VB1H822K	8200P 50V	[M]
C2183	ECJ1VB1C105K	1 16V	[M]
C2184	ECJ1VB1H152K	1500P 50V	[M]
C2191	ERJ3GEY0R00V	0 1/16W	[M]
C2192	ERJ3GEY0R00V	0 1/16W	[M]
C2193	ECJ1VB1C104K	0.1 16V	[M]
C2194	ECEA1CKA100B	10 16V	[M]
C2201	ECJ1VB1C105K	1 16V	[M]
C2202	ECJ1VB1C104K	0.1 16V	[M]
C2203	ECJ1VB1H102K	1000P 50V	[M]
C2206	ECJ1VB1H332K	3300P 50V	[M]
C2207	ECJ1VB1C104K	0.1 16V	[M]
C2208	ECJ1VB1H102K	1000P 50V	[M]
C2211	ECJ1VB1C104K	0.1 16V	[M]
C2212	ECJ1VB1H152K	1500P 50V	[M]
C2214	ECJ1VB1H103K	0.01 50V	[M]
C2216	ECJ1VB1H681K	680P 50V	[M]
C2217	ECJ1VC1H101K	100P 50V	[M]
C2218	ECJ1VB1C104K	0.1 16V	[M]
C2219	ECJ1VB1H102K	1000P 50V	[M]
C2220	ECJ1VB1C105K	1 16V	[M]
C2221	ECJ1VB1C104K	0.1 16V	[M]
C2226	ECJ1VB1C104K	0.1 16V	[M]
C2231	ECJ1VB1C683K	0.068 16V	[M]
C2236	ECJ1VB1C683K	0.068 16V	[M]
C2241	ECJ1VB1C105K	1 16V	[M]
C2242	ECJ1VB1C105K	1 16V	[M]
C2245	ECA1CM100B	10 16V	[M]
C2251	ECA1CM100B	10 16V	[M]
C2266	ECJ1VB1H102K	1000P 50V	[M]
C2281	ECJ1VB1H822K	8200P 50V	[M]
C2282	ECJ1VB1H822K	8200P 50V	[M]
C2283	ECJ1VB1C105K	1 16V	[M]
C2284	ECJ1VB1H152K	1500P 50V	[M]
C2291	ERJ3GEY0R00V	0 1/16W	[M]
C2292	ERJ3GEY0R00V	0 1/16W	[M]
C2293	ECJ1VB1C104K	0.1 16V	[M]
C2294	ECEA1CKA100B	10 16V	[M]
C2301	ECJ1VC1H100J	10P 50V	[M]
C2302	ECJ1VC1H470J	47P 50V	[M]
C2311	ECJ1VB1A184K	0.18 10V	[M]
C2312	ECJ1VB1A154K	0.15 10V	[M]
C2331	ECJ1VB1C105K	1 16V	[M]
C2332	ERJ3GEY0R00V	0 1/16W	[M]
C2334	ECUV1C224KBV	0.22 16V	[M]
C2401	ECJ1VC1H100J	10P 50V	[M]
C2402	ECJ1VC1H470J	47P 50V	[M]
C2411	ECJ1VB1A184K	0.18 10V	[M]
C2412	ECJ1VB1A154K	0.15 10V	[M]
C2501	ECEA1HKN2R2B	2.2 50V	[M]
C2511	ECJ1VB1H223K	0.022 50V	[M]
C2512	ECJ1VB1A474K	0.47 10V	[M]
C2513	ECJ1VB1C104K	0.1 16V	[M]
C2520	ECJ1VB1H103K	0.01 50V	[M]
C2521	ECJ1VB1H103K	0.01 50V	[M]
C2522	ECJ1VB1C105K	1 16V	[M]
C2523	ECJ1VB1C105K	1 16V	[M]
C2525	ECJ1VB1C105K	1 16V	[M]
C2526	ECJ1VB1H221K	220P 50V	[M]
C2527	ECJ1VB1C105K	1 16V	[M]
C2551	ECA1CM100B	10 16V	[M]
C2552	ECJ1VC1H101K	100P 50V	[M]
C2553	ECJ1VB1H103K	0.01 50V	[M]

Ref. No.	Part No.	Part Name & Description	Remarks
C2554	ECJ1VB1C105K	1 16V	[M]
C2555	ECJ1VC1H101K	100P 50V	[M]
C2556	ECJ1VB1H103K	0.01 50V	[M]
C2557	ECJ1VB1H103K	0.01 50V	[M]
C2558	ECJ1VB1A154K	0.15 10V	[M]
C2559	ECJ1VC1H470J	47P 50V	[M]
C2560	ECJ1VB1C105K	1 16V	[M]
C2561	ECJ1VB1C105K	1 16V	[M]
C2581	ECA1AM330B	33 10V	[M]
C2582	ECA1CM101B	100 16V	[M]
C2583	ECUV1C224KBV	0.22 16V	[M]
C2584	ECJ1VB1H221K	220P 50V	[M]
C2585	ECJ1VB1H221K	220P 50V	[M]
C2588	ECJ1VB1C104K	0.1 16V	[M]
C2601	ECJ1VB1H103K	0.01 50V	[M]
C2602	ECA1CM101B	100 16V	[M]
C2603	ECJ1VB1H103K	0.01 50V	[M]
C2604	ECJ1VB1H102K	1000P 50V	[M]
C2606	ECJ1VB1H103K	0.01 50V	[M]
C2607	ECJ1VB1E473K	0.047 25V	[M]
C2608	ECJ1VC1H080D	8P 50V	[M]
C2609	ECJ1VB1H102K	1000P 50V	[M]
C2610	ECJ1VB1H103K	0.01 50V	[M]
C2611	ECEA1HKA4R7B	4.7 50V	[M]
C2612	ECJ1VB1H103K	0.01 50V	[M]
C2613	ECJ1VB1H102K	1000P 50V	[M]
C2614	ECEA1HKA3R3B	3.3 50V	[M]
C2615	ECEA1HKA4R7B	4.7 50V	[M]
C2616	ECJ1VB1C333K	0.033 16V	[M]
C2617	ECJ1VB1H103K	0.01 50V	[M]
C2618	ECJ1VB1H103K	0.01 50V	[M]
C2619	FOA2A561A034	560P 100V	[M]
C2620	ECEA1CKA100B	10 16V	[M]
C2621	ECEA1HKA4R7B	0.47 50V	[M]
C2622	ECEA1HKA010B	1 50V	[M]
C2623	ECEA1HKA010B	1 50V	[M]
C2624	ECJ1VC1H101K	100P 50V	[M]
C2625	ECEA1CKA220B	22 16V	[M]
C2626	ECJ2VF1C105Z	1 16V	[M]
C2627	ECEA1CKA220B	22 16V	[M]
C2629	ECA0JM101B	100 6.3V	[M]
C2630	ECA0JM101B	100 6.3V	[M]
C2631	ECJ1VC1H101J	100P 50V	[M]
C2632	ECJ1VB1H102K	1000P 50V	[M]
C2633	ECJ1VC1H120J	12P 50V	[M]
C2634	ECJ1VC1H120J	12P 50V	[M]
C2636	ECJ1VB1H102K	1000P 50V	[M]
C2637	ECJ1VB1H332K	3300P 50V	[M]
C2638	ECJ1VB1H103K	0.01 50V	[M]
C2639	ECEA1HKA4R7B	4.7 50V	[M]
C2641	ECEA1HKA010B	1 50V	[M]
C2642	ECEA1HKA010B	1 50V	[M]
C2643	ECJ1VB1H472K	4700P 50V	[M]
C2644	ECJ1VB1H472K	4700P 50V	[M]
C2647	ECJ1VB1H102K	1000P 50V	[M]
C2648	ECJ1VB1H103K	0.01 50V	[M]
C2649	ECJ1VF1C104Z	0.1 16V	[M]
C2701	ECJ1VB1H103K	0.01 50V	[M]
C2705	ECA1CM100B	10 16V	[M]
C2706	ECJ1VB1H103K	0.01 50V	[M]
C2707	ECEA1AKN100B	10 10V	[M]
C2708	ECA1CM101B	100 16V	[M]
C2751	ECJ1VB1C104K	0.1 16V	[M]
C2753	ECJ1VB1C104K	0.1 16V	[M]
C2811	ECJ1VC1H101K	100P 50V	[M]
C2812	ECJ1VC1H101K	100P 50V	[M]
C2813	ECJ1VC1H101K	100P 50V	[M]
C2814	ECJ1VC1H101K	100P 50V	[M]
C2815	ECJ1VC1H101K	100P 50V	[M]
C2816	ECJ1VC1H101K	100P 50V	[M]
C2817	ECJ1VC1H101K	100P 50V	[M]
C2818	ECJ1VC1H101K	100P 50V	[M]
C2819	ECJ1VC1H101K	100P 50V	[M]
C2820	ECJ1VC1H101K	100P 50V	[M]

Ref. No.	Part No.	Part Name & Description	Remarks
C2821	ECJ1VC1H101K	100P 50V	[M]
C2831	ECJ1VB1C223K	0.022 16V	[M]
C2832	ECJ1VB1H331K	330P 50V	[M]
C2833	ECJ1VB1H331K	330P 50V	[M]
C2840	ECJ1VC1H180J	18P 50V	[M]
C2841	ECJ1VC1H180J	18P 50V	[M]
C2851	ECJ1VB1C104K	0.1 16V	[M]
C2852	ECA1CM101B	100 16V	[M]
C2853	ECJ1VB1C104K	0.1 16V	[M]
C2854	ECA1CM101B	100 16V	[M]
C2856	ECJ1VB1C105K	1 16V	[M]
C2857	ECEA1HKA2R2B	2.2 50V	[M]
C2901	ECJ1VB1C104K	0.1 16V	[M]
C2902	ECA1CM100B	10 16V	[M]
C2903	ECJ1VB1H103K	0.01 50V	[M]
C2904	ECA1CM101B	100 16V	[M]
C2905	ECA1CM101B	100 16V	[M]
C2906	ECJ1VB1H102K	1000P 50V	[M]
C2907	ECJ1VB1H471K	470P 50V	[M]
C2936	ECJ1VF1C474Z	0.47 16V	[M]
C2951	ECJ1VB1H103K	0.01 50V	[M]
C2952	ECJ1VB1H103K	0.01 50V	[M]
C2976	ECA1CM100B	10 16V	[M]
C2977	ECA1CM101B	100 16V	[M]
C2996	ECUV1C224KBV	0.22 16V	[M]
C2997	ECUV1C224KBV	0.22 16V	[M]
C2998	ECJ1VB1C104K	0.1 16V	[M]
C2999	ECJ1VB1C104K	0.1 16V	[M]
C5015	ECJ1VB1H103K	0.01 50V	[M]
C5018	ECA2AM100B	10 100V	[M]
C5019	ECA2AM100B	10 100V	[M]
C5077	ECJ1VC1H390K	39P 50V	[M]
C5240	ECJ1VB1H222K	2200P 50V	[M]
C5241	ECJ1VC1H390K	39P 50V	[M]
C5242	ECJ1VB1H222K	2200P 50V	[M]
C5243	ECJ1VC1H390K	39P 50V	[M]
C5244	ECJ1VB1H104K	0.1 50V	[M]
C5245	ECJ1VB1H104K	0.1 50V	[M]
C5246	ECJ1VB1H103K	0.01 50V	[M]
C5247	ECJ1VB1H103K	0.01 50V	[M]
C5248	ECJ1VB1H103K	0.01 50V	[M]
C5249	ECJ1VB1H104K	0.1 50V	[M]
C5250	ECJ1VB1H104K	0.1 50V	[M]
C5252	ECJ1VB1C105K	1 16V	[M]
C5440	ECJ1VB1H222K	2200P 50V	[M]
C5441	ECJ1VC1H390K	39P 50V	[M]
C5442	ECJ1VB1H222K	2200P 50V	[M]
C5443	ECJ1VC1H390K	39P 50V	[M]
C5444	ECJ1VB1H104K	0.1 50V	[M]
C5445	ECJ1VB1H104K	0.1 50V	[M]
C5446	ECJ1VB1H103K	0.01 50V	[M]
C5447	ECJ1VB1H103K	0.01 50V	[M]
C5448	ECJ1VB1H103K	0.01 50V	[M]
C5449	ECJ1VB1H104K	0.1 50V	[M]
C5450	ECJ1VB1H104K	0.1 50V	[M]
C5451	ECJ1VB1C105K	1 16V	[M]
C5658	ECJ1VB1H222K	2200P 50V	[M]
C5660	ECJ1VB1H104K	0.1 50V	[M]
C5661	ECJ1VB1H332K	3300P 50V	[M]
C5662	ECJ1VB1H104K	0.1 50V	[M]
C5758	ECJ1VB1H222K	2200P 50V	[M]
C5760	ECJ1VB1H104K	0.1 50V	[M]
C5761	ECJ1VB1H332K	3300P 50V	[M]
C5762	ECJ1VB1H104K	0.1 50V	[M]
C5777	ECJ1VC1H390K	39P 50V	[M]
C5801	ECJ1VB1H103K	0.01 50V	[M]
C5802	ECEA0JKA221B	220 6.3V	[M]
C5803	ECJ1VB1H102K	1000P 50V	[M]
C5804	ECJ1VB1H103K	0.01 50V	[M]
C5805	ECA1CM101B	100 16V	[M]
C5806	ECJ1VB1H103K	0.01 50V	[M]
C5807	ECEA1CKA100B	10 16V	[M]
C5808	ECEA1CKA100B	10 16V	[M]
C5809	ECJ1VB1H103K	0.01 50V	[M]

Ref. No.	Part No.	Part Name & Description	Remarks
C5810	ECA1EM101B	100 25V	[M]
C5811	ECJ1VB1H103K	0.01 50V	[M]
C5812	ECA1HM330B	33 50V	[M]
C5813	ECEA1EKA100B	10 25V	[M]
C5820	ECA1HM222B	2200 50V	[M]
C5838	ECEA1HKA2R2B	2.2 50V	[M]
C5840	ECA1HM222B	2200 50V	[M]
C5864	ECJ1VB1H103K	0.01 50V	[M]
C5950	ECA1EM222B	2200 25V	[M]
C5951	F1B1H103A153	0.01 50V	[M]
C5952	ECA1AM470B	47 10V	[M]
C5953	F1B1H103A153	0.01 50V	[M]
C5954	F1B1H103A153	0.01 50V	[M]
C5955	ECA1HM220B	22 50V	[M]
C5956	ECA1HM470B	47 50V	[M]
C5957	ECA1HM100B	10 50V	[M]
C5958	F1B1H103A153	0.01 50V	[M]
C5959	F1B1H103A153	0.01 50V	[M]
C5960	ECQE2104KF3	0.1 250V	[M]
C5963	ECEA1VKA4R7B	4.7 35V	[M]
C5971	ECA1CM102B	1000 16V	[M]
C6481	ECEA0JKA470B	47 6.3V	[M]
C6491	F1D1H101A012	100P 50V	[M]
C6492	F1D1H101A012	100P 50V	[M]
C6551	F1D1E103A001	0.01 25V	[M]
C6552	F1D1E103A001	0.01 25V	[M]
C6553	F1D1E103A001	0.01 25V	[M]
C6601	F1D1H101A012	100P 50V	[M]
C6602	F1D1H102A012	1000P 50V	[M]
C6603	F1D1H101A012	100P 50V	[M]
C6604	F1D1H101A012	100P 50V	[M]
C6612	F1D1H330A006	33P 50V	[M]
C6621	F1D1H101A012	100P 50V	[M]
C6623	ECEA0JKA470B	47 6.3V	[M]
C6631	ECEA1VKA220B	22 35V	[M]
C6632	ECEA1VKA220B	22 35V	[M]
C6635	ECEA1HKA3R3B	3.3 50V	[M]
C6636	F1D1H101A012	100P 50V	[M]
C7102	ECJ1VB1A474K	0.47 10V	[M]
C7105	ECJ1VB1C104K	0.1 16V	[M]
C7106	ECJ1VB1C104K	0.1 16V	[M]
C7107	ECJ1VB1H223K	0.022 50V	[M]
C7110	ECJ1VB1H471K	470P 50V	[M]
C7142	ECJ1VB1H223K	0.022 50V	[M]
C7147	ECJ1VB1H391K	390P 50V	[M]
C7149	ECJ1VB1H392K	3900P 50V	[M]
C7155	ECJ1VB1C104K	0.1 16V	[M]
C7161	ECJ1VB1C104K	0.1 16V	[M]
C7166	ECJ1VB1H103K	0.01 50V	[M]
C7203	ECEA0JKA221I	220 6.3V	[M]
C7204	ECJ1VB1C104K	0.1 16V	[M]
C7216	ECJ1VB1H681K	680P 50V	[M]
C7217	ECJ1VB1C104K	0.1 16V	[M]
C7218	ECJ1VB1C823K	0.082 16V	[M]
C7223	ECEA0JKA101I	100 6.3V	[M]
C7224	ECJ1VB1C104K	0.1 16V	[M]
C7225	ECJ1VB1H102K	1000P 50V	[M]
C7226	ECJ1VB1H102K	1000P 50V	[M]
C7230	ECJ1VB1C104K	0.1 16V	[M]
C7231	ECEA0JKA221I	220 6.3V	[M]
C7232	ECEA0JKA221I	220 6.3V	[M]
C7233	ECJ1VF1C104Z	0.1 16V	[M]
C7234	ECEA1CKA100I	10 16V	[M]
C7235	ECEA1CKA100I	10 16V	[M]
C7241	ECJ1VB1H102K	1000P 50V	[M]
C7243	ECJ1VF1C104Z	0.1 16V	[M]
C7244	ECJ1VB1C153K	0.015 16V	[M]
C7253	ECJ1VB1H471K	470P 50V	[M]
C7263	ECJ1VB1C104K	0.1 16V	[M]
C7264	ECJ1VB1C104K	0.1 16V	[M]
C7315	ECJ1VB1A224K	0.22 10V	[M]
C7334	ECEA1AKA221I	220 10V	[M]
C7335	ECJ1VF1C104Z	0.1 16V	[M]
C7338	ECJ1VB1A224K	0.22 10V	[M]

Ref. No.	Part No.	Part Name & Description	Remarks
C7339	ECJ1VB1H103K	0.01 50V	[M]
C7352	ECJ1VB1H103K	0.01 50V	[M]
C7601	ECEA0JKA330I	33 6.3V	[M]
C7613	ECJ1VB1C104K	0.1 16V	[M]

Ref. No.	Part No.	Part Name & Description	Remarks
C7614	ECEA0JKA101I	100 6.3V	[M]
C7625	ECEA0JKA221I	220 6.3V	[M]
C7626	ECJ1VB1C104K	0.1 16V	[M]
C7670	ECJ1VB1C104K	0.1 16V	[M]

## 22.5. Packing Materials & Accessories Parts List

Ref. No.	Part No.	Part Name & Description	Remarks
		PACKING MATERIALS	
P1	RPGX1366	PACKING CASE	[M]
P2	RPNX0323	POLYFOAM (MAIN SET)	[M]
P3	RPFX0007	MIRAMAT BAG	[M]
		ACCESSORIES	

Ref. No.	Part No.	Part Name & Description	Remarks
A1	N2QAHB000055	REMOTE CONTROL	[M]
A1-1	RKK-HTR0283	R/C BATTERY COVER	[M]
A2	RJA0019-2X	AC CORD	[M] △
A3	RQT7838-R	O/I BOOK (Ru/Ur)	[M]
A4	RSA0007-L	FM ANTENNA	[M]
A5	N1DAAA00001	AM LOOP ANTENNA	[M]