

# 10/100 BASE-TX LANJACK

LAN MAGNETICS

[ RJ45 Dual USB 5x2 Series ]



USB 2.0  
Compliant

- 10 LAN signal pins on 2 rows 5x2.
- Meets or exceeds IEEE 802.3 and ANSI X3.263 standards.
- Including 350  $\mu$ H min OCL with 8 mA bias.
- Designed for transmission over UTP-5 cable.
- 1500 Vrms isolation per IEEE 802.3 requirement.
- Supports Broadcom BCM5221, Intel LXT971A and most 10/100 transceiver chips.

## ELECTRICAL SPECIFICATIONS

FALCO PART NUMBER	TURNS RATIO	INSERTION LOSS ( dB ) MAX			RETURN LOSS ( dB ) MIN @ 100 $\Omega$			CROSSTALK ( dB ) MIN	COMMON MODE REJECTION ( dB ) MIN	
		1-65 MHz	65-100 MHz	1-30 MHz	30-60 MHz	60-80 MHz	1-65 MHz		30-100 MHz	100-130 MHz
LS1004	1:1	-1.0	-	-20	$-(19-20\log(f/30\text{MHz}))$	-12	-35	-30	-20	
LS1009	1:1	-1.0	-	-20	$-(19-20\log(f/30\text{MHz}))$	-12	-35	-30	-20	
LS1010	1:1	-1.0	-	-20	$-(19-20\log(f/30\text{MHz}))$	-12	-35	-30	-20	
LS1013	1:1	-1.0	-1.2	-20	$-(19-20\log(f/30\text{MHz}))$	-12	-35	-30	-20	
LS1L04	1:1	-1.0	-	-20	$-(19-20\log(f/30\text{MHz}))$	-12	-35	-30	-20	
LS1L10	1:1	-1.0	-	-20	$-(19-20\log(f/30\text{MHz}))$	-12	-35	-30	-20	

Operating Temperature 0°C to +70°C

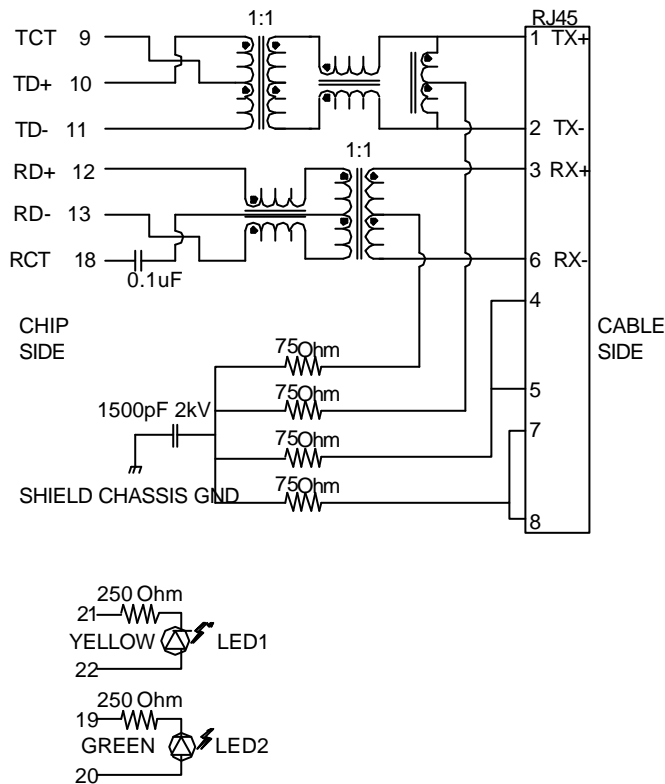
\* All products are USB2.0 Compliant



LEAD FREE VERSION DEVICE

## Schematic

### LS1004/LS1010/LS1L04/LS1L10



10-100 RJ45 DUAL USB 5X2.PDF REV:G 09/04

phone (305) 662-7276

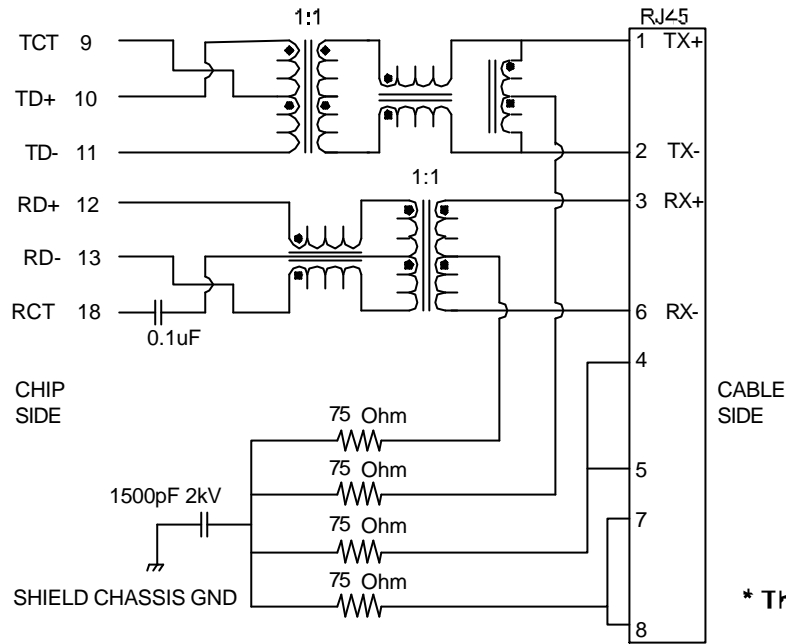
e-fax: (520) 752-3268

e-mail:sales@falcomex.com

www.falcomex.com

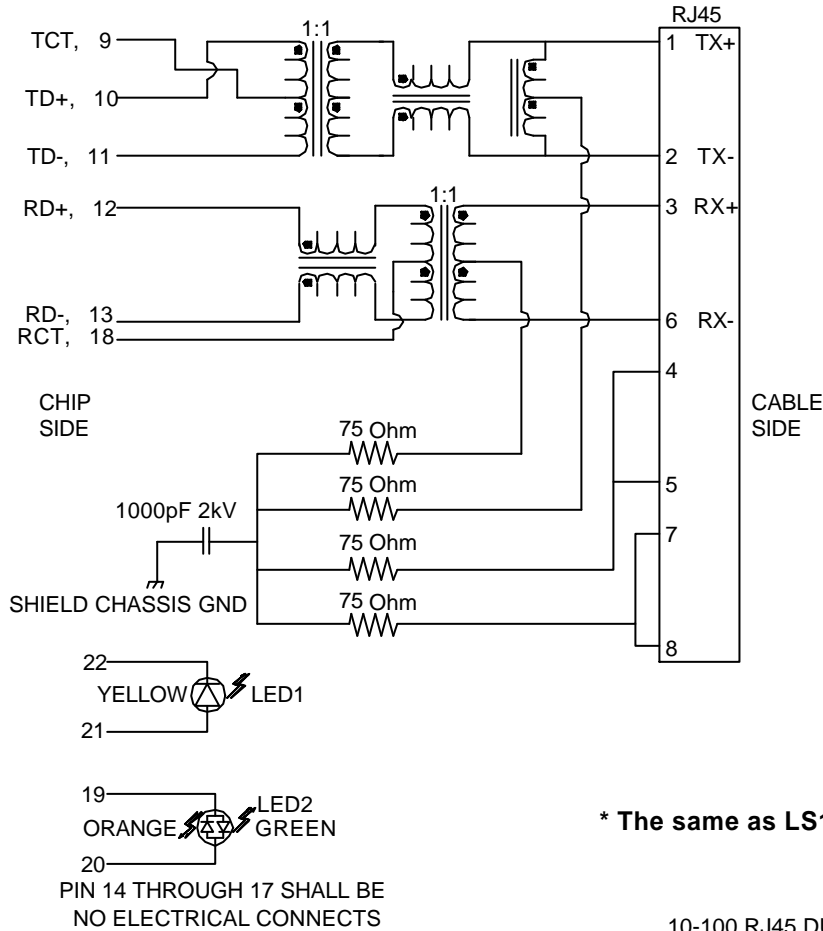
**Schematics**

**LS1009**



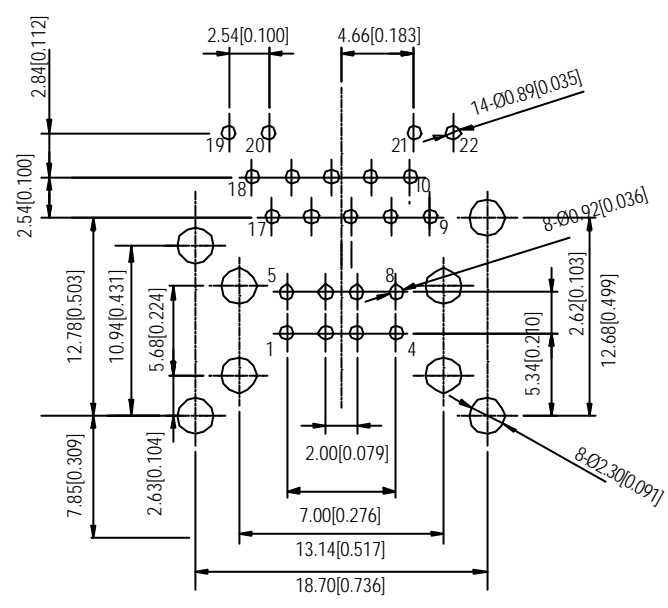
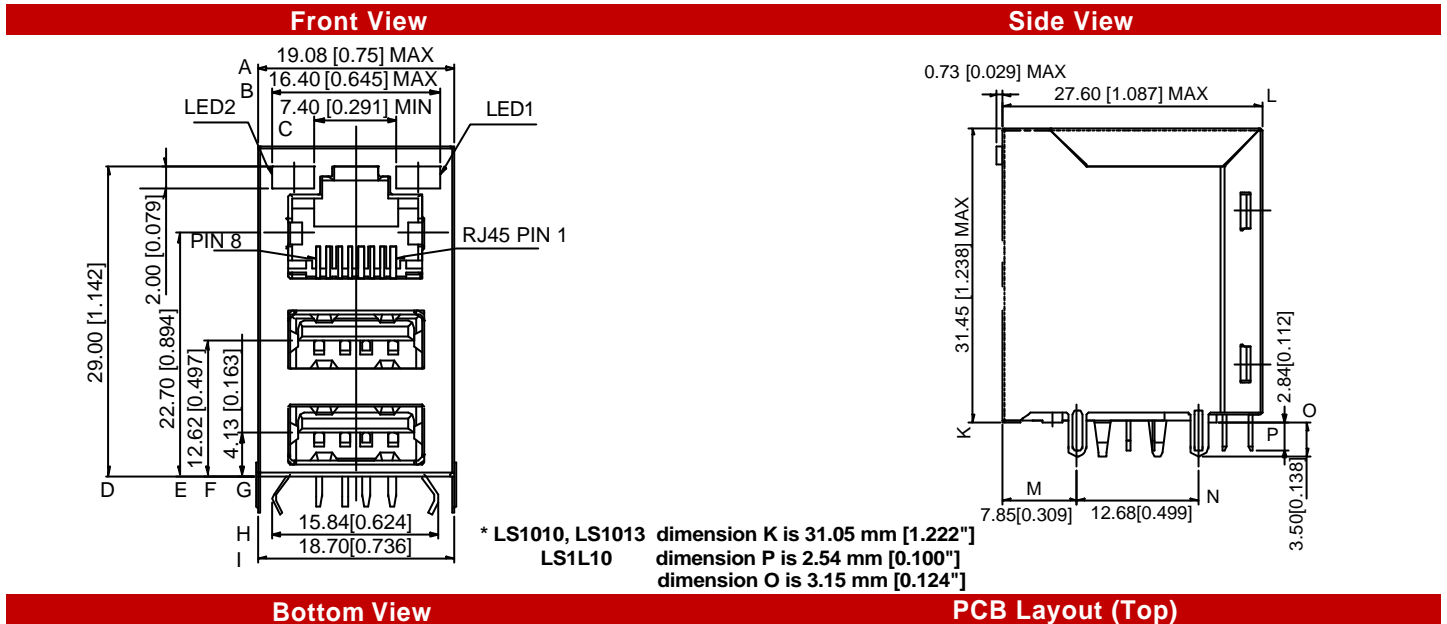
\* The same as LS1004 without LE

**LS1013**



\* The same as LS1004 with differnt LED color

MECHANICAL SPECIFICATIONS



UNIT: mm[inch], UNSPECIFIED TOLERANCE .XX+/-0.25[0.010]

10-100 RJ45 DUAL USB 5X2.PDF REV:G 09/04